

214AB

DRILL PRESS
SÄULENBOHRMASCHINE
PERCEUSE À COLONNE



www.promac.fr

PROMAC[®]



GENERAL SAFETY INSTRUCTIONS

Note: Non-observance of these instructions can result in severe injury.

As with all machinery, there are specific hazards involved with the operation and handling of the machine. Careful operation of the machine and correct machine handling will effectively lower the risk of possible accidents. If the usual precautions are disregarded, a risk of accidents for the operator cannot be avoided.

The machine was designed for the specified kinds of use only. We strongly recommend not to operate a machine that was modified and not to use the machine in a manner it was not designed for. If you have any questions regarding the operation of this machine and the operating instructions do not give the required information, please contact your distributor.

GENERAL RULES FOR SAFE HANDLING OF MACHINERY

1. For your own safety, always read the operating instructions before starting the machine.
Make yourself familiar with the machine, its operation and operating restrictions as well as with its specific hazards.
2. Keep safety guards in place and in proper working order.
3. Always connect any electrically operated machines equipped with a grounding-type mains plug to a grounding-type socket. If adapter plugs without earthing contact are used, a grounding-type connection on the machine must be carried out by all means. Never operate the machine without grounding-type connection (earthing).
4. Always remove any loose clamping levers or wrenches from the machine. Make it a habit to check that all loose operating elements have been removed before turning the machine on.
5. Keep the working area free from obstacles. Working areas and working surfaces blocked by obstacles will virtually provoke accidents.
6. Do not operate the machine in hazardous working environment. Do not operate power driven machinery in damp or wet rooms or expose them to rain. Always keep working surfaces and areas well lighted.
7. Keep children and visitors away from the machine. Make sure children and visitors keep a safe distance from the working area.
8. Safeguard the workshop and the working room against unauthorized access. Attach child-proof locks such as lockable latches, lockable main switches, etc.
9. Do not overload the machine. Machine performance and machine safety are enhanced when the machine is operated within the range of performance it was designed for.
10. Do not use any attachments for works they were not designed for.
11. Wear appropriate working clothes; avoid wearing loose clothes, gloves, scarves, rings, necklaces, bracelets or other jewelry. They might get caught in moving machine components. Wear shoes with anti-slip soles. Wear a working cap that completely covers long hair.
12. Always wear safety glasses. Observe the accident prevention regulations. Moreover, wear a dust mask for works with heavy dust contamination.
13. Safely clamp the workpieces. Always use a vise or clamps to hold the workpiece. It is safer than using your hands and both hands will be free to operate the machine.

GENERAL SAFETY INSTRUCTIONS

14. Stability must be ensured. Always keep your body in balance and set the feet in a way that ensures stability.
15. Always keep the machine in good working order. Especially keep the tooling sharp and clean to ensure best performance. Observe the operating instructions for cleaning, lubricating and changing attachments.
16. Always disconnect the machine from the mains before performing maintenance work or replacing machine components such as saw blade, cutting tool, etc.
17. Use recommended accessories only. Observe instructions in the operating instructions.
The use of improper accessories may be hazardous.
18. Avoid accidental start. Prior to the connection of the machine to the mains make sure the power switch is turned to "0" (OFF).
19. Never climb onto the machine. Severe injury may be caused if the machine tips over or if you touch the cutting tool.
20. Check for any damaged machine components. Before further operation of the machine, damaged guards or other parts should be repaired or replaced to ensure they can correctly perform their intended function.
21. Never leave the machine unattended during operation. Always turn off power supply.
Do not leave the machine until it has come to a complete stop.
22. Never operate the machine under the influence of alcohol or drugs.
23. Before performing any work on the electrical system, on the drive motor, etc,
make sure the machine has been disconnected from power supply.

INFORMATION ON OCCUPATIONAL SAFETY AND HEALTH

Machine transport

1. The maximum weight of the machine is 164 kg.
2. For machine transport, use appropriate means of transport.
3. The machine is much heavier at its head side so there is tipping hazard during machine transport!



Always wear safety glasses!

Working environment

1. Sufficient lighting and ventilation of the working room must be ensured.
2. To ensure work can be carried out safely, the lighting must have an illuminance of 300 LUX.

Sound level

1. During operation, the sound level of the machine is 70 dB.
2. Depending on the material, the sound level may be even higher when drilling.
So wearing appropriate ear protection (e.g. ear plugs or muffs) is required.

Mains connection

1. The machines of the 214AB type are supplied including 400V, 50Hz power cord and plug.
Have the mains connection and any modifications thereof made by a qualified electrician in accordance with section 5.3 of the EN60204-1 standard.
2. The fuse used must have a minimum amperage of 10 A.
3. For the detailed electrical data, see the machine's name plate and the wiring diagram attached to these operating instructions.
4. **ATTENTION:** Prior to any service or set-up work or repair, disconnect the machine from the mains (pull out the plug).
5. The yellow/green earth conductor is essential for the electrical safety. So make sure it is connected correctly.

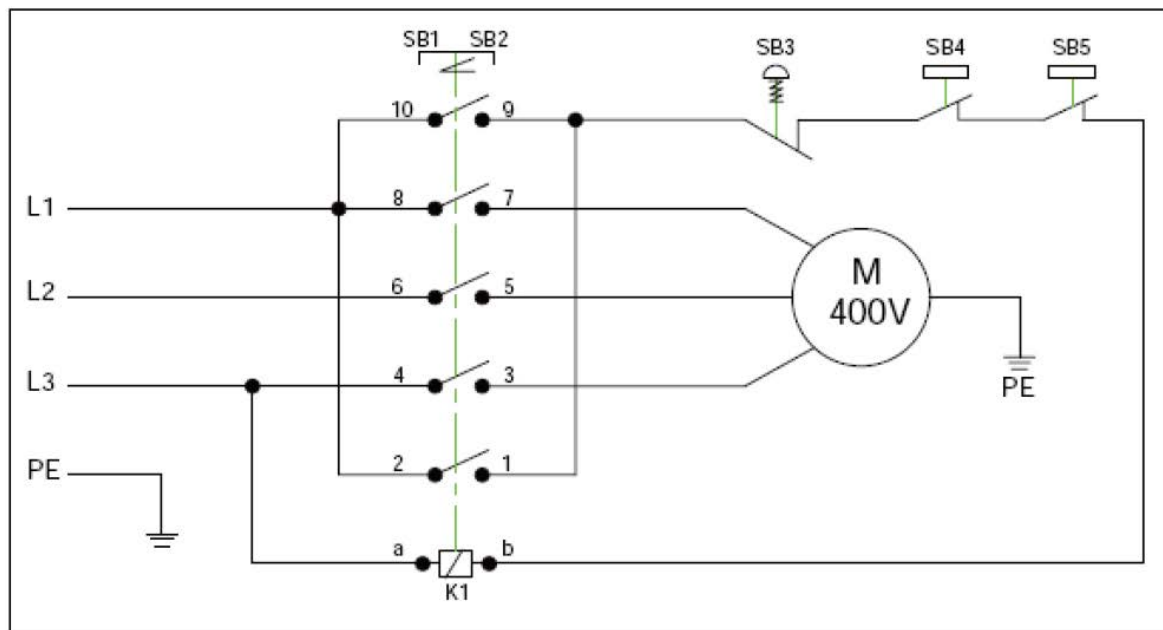
ELECTRICAL DIAGRAM / ELEKTRISCHE ANLAGE / SCHÉMA ÉLECTRIQUE

ELECTRICAL SYSTEM

The wiring diagram (400 Volt) that is also attached to the lower side of the motor cover contains the information required for the correct connection of the machine to the mains.

Any modifications of the mains connection (plug) have to be carried out by a qualified electrician.

WIRING DIAGRAM



Parts list of the electrical system

Index No.	Function	Specifications	Qty.	Manufacturer	Remarks
XP	Power plug	400V, 10-1A	1		SEV
	Power cord	H05VV-F4G 1.0 mm ²	1		
SB 1	Pushbutton "Start"	AC 400V/7.5A	1	KEDU JD3	IEC 60947-5-1
SB 2	Pushbutton "Stop"	AC 400V/7.5A	1	KEDU JD3	IEC 60947-5-1
SB 3	Micro switch "Cover"	AC 230V/15.1A	1	DEFOND AMC 1215	IEC 60947-5.1
SB 4	Micro switch "Protection"	AC 230V	1	SHIN02 AZE-S11	IEC 60947-5.1
M	Function	DC 400V/0.75kW	1		
K1	Relay	AC 400V/10A	1	JD3	
K2	Relay	AC 400V/10A	1	JD2	
PE	Function		1		

SPECIFICATIONS

	214AB
Drilling capacity mm	26 mm
Spindle taper	MT 3
Swing	280 mm
Spindle stroke	115 mm
Speeds	150-2840 rpm
Distance Spindle nose to table	690 mm
Distance Spindle nose to base	1220 mm
Spindle sleeve	62 mm
Column diameter	92 mm
Table size	428 x 475 mm
Motor	0.75 Kw
Overall dimensions	1750 x 460 x 840 mm
Weight	164 kg

Noise test carried out in accordance with section 1.7.42u of the Machinery Directive 2006/42/EG. When the drill press is operated under normal, uniform load, the sound level (IEC 651 - IEC 804) is below 70 dB. However, this sound level can increase for various materials difficult to machine so the operating staff should wear ear protection.

DESCRIPTION OF THE MACHINE

With a PROMAC drill press, you have a universal machining center at your disposal which can be used for manifold metal cutting tasks that normally would require several machines.

When using and maintaining the machine correctly, its safe functioning and its high machining accuracy will be guaranteed for many years to come.

Do not put the machine into operation until having carefully read the operating instructions and until having deeply understood and having yourself familiarized with the operating procedures.

For this purpose, the various machine functions should be tested out in dry run without starting the machine operation.

FEATURES

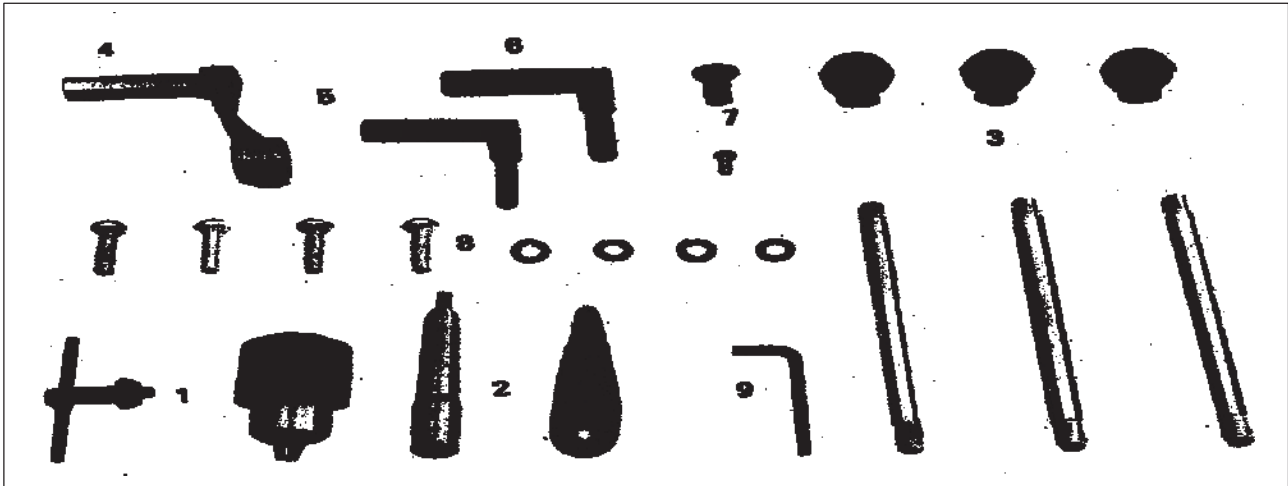
1. The specific design of the machine allows drilling with many different tools.
The machine is equipped with stepped pulleys to change the spindle gear range.
2. The machine has been precisely manufactured and, for experienced operators, it opens up unlimited possibilities of use due to its high ease of handling.
3. Direct manual spindle stroke for the drilling process.
4. The large column provides the machine with a high rigidity and it guarantees a high accuracy.
5. The machine head is made of matured high-density gray cast and ensures long-term accuracy.

ASSEMBLY

Unpacking the machine

Take the machine components from the packing and check them in accordance with the following list.

- | | |
|-------------------------------|-------------------------------|
| 1. 16 mm drill chuck with key | 6. Locking handle |
| 2. Adapter MK3/B18 | 7. Handle knob |
| 3. Handle knob with bars (3) | 8. Screw with lock washer (3) |
| 4. Riser handle | 9. Allen key |
| 5. Locking handle | |

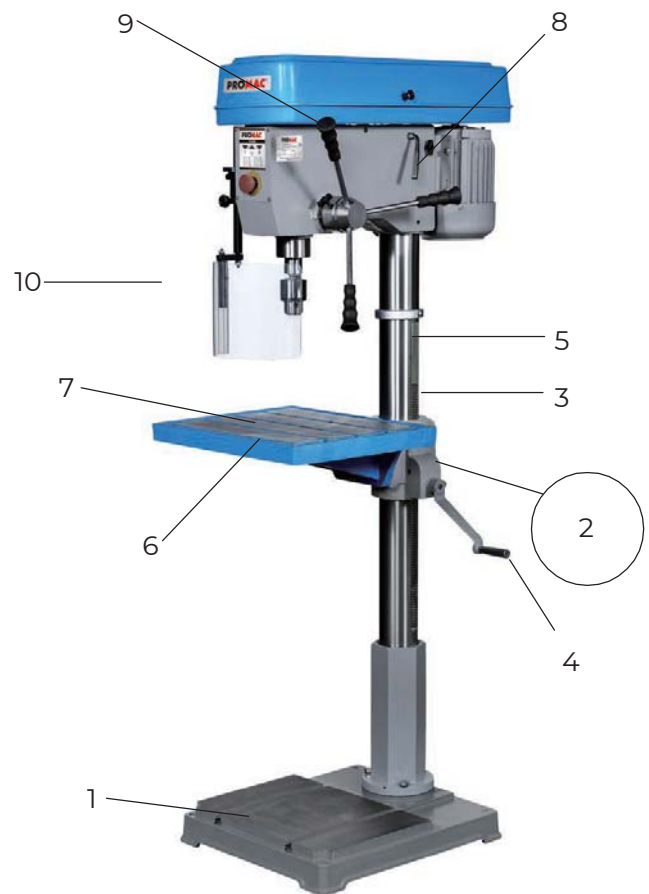
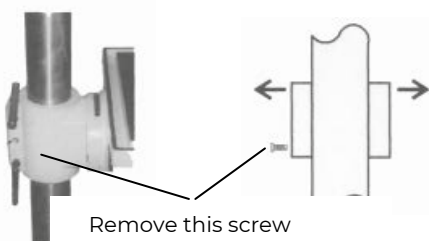


Assemble the machine as shown in the figure.

1. Set the column onto the base (1) and fasten it using the screws and washers.
2. Mount the column flange (2) together with the inserted rack (3) on the column. Install the riser handle (4) and secure it with the screw. Observe the note.
3. Mount the ring (5) and secure it with the screws.
4. Mount the work table (6) on the flange (2).
5. Screw in the locking lever (7).
6. Set the head (8) onto the column and align it correctly with the base. Tighten the screws.
7. Install the feed levers (9).
8. Install chip guard (10).

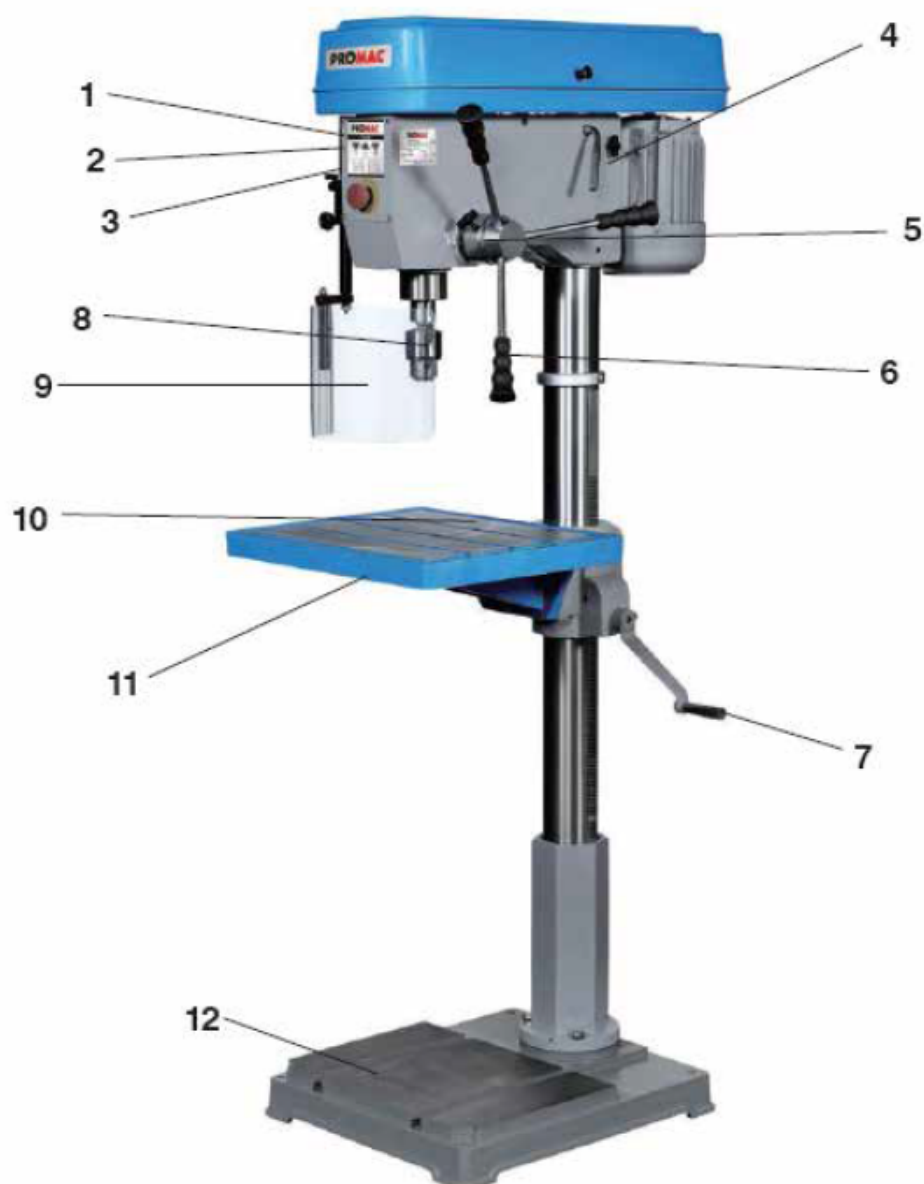
Note for item 2

After having installed the flange, please remove the screw; it is only required to facilitate the assembly.



MAIN OPERATING ELEMENTS

1. Start pushbutton
2. Emergency stop switch
3. Stop pushbutton
4. Vee belt tensioner
5. Depth stop
6. Spindle feed handles
7. Riser handle for table
8. Drill chuck
9. Chip guard
10. Locking screw
11. Rotatable work table
12. Base



MACHINE INSTALLATION

The installation site should meet the following minimum prerequisites:

- Mains voltage and frequency comply with the specifications of the machine motor.
- Ambient temperature from -10°C to +50°C.
- Maximum relative humidity 90%.

Assembly of the machine

1. Lock the work table securely on the column.
2. Assemble the machine at a place where a uniform temperature is ensured.
Make sure the installation site for the machine is not exposed to direct sunlight.
Otherwise, warp and loss of accuracy may be caused.
3. The machine base has two slotted holes for the fastening screws. Before tightening the screws check that the work table is aligned in longitudinal and transverse directions with reference to the rotating spindle. Use a dial gauge with 1/1000 accuracy and insert it together with the spindle taper into the spindle to align the work table. For correct alignment, please insert shims of suitable thickness (to be determined with feeler gauge) between the mounting surface and the machine base.

Cleaning and lubrication of the new machine

Prior to transport, the blank machine surfaces have been protected against corrosion using a high-viscosity grease. This grease must be removed completely before the machine is put into operation. For this purpose, use kerosene or cleaner's naphtha.

Note: Do not use paint thinner or similar substances as these can destroy the machine paint.
Make sure solvents or greases cannot come into contact with rubber or plastic parts.

After cleaning, apply an oil film to all blank parts; **use PROMAC's medium-viscosity oil, item No. 100385.**

PREPARATIONS FOR OPERATION

Prior to commissioning, check all machine components for correct condition and functioning.
When observing the machine-specific safety precautions and the proper machine operation procedures, the specified machine precision will be guaranteed in the long run.

COMMISSIONING

- a) Lubricate spindle and column with **PROMAC oil, item No. 100385**.
- b) Check that the surface of the work table is free from dust, chips and oil residues.
- c) Check that the tool is sharp and correctly clamped and that the workpiece has been mounted safely.
- d) Make sure that the spindle speed set is not too high and that the selected cutting feedrate matches the work to be performed.
- e) Make sure the required preparations for operation have all been taken prior to starting operation.

NOTE - prior to commissioning

- a) The vee belt has not been factory-tensioned to avoid any deformation. Prior to use, please tension them in accordance with the instructions on page 11.
- b) Prior to the first use, run in the machine for half an hour in idling mode and at a speed of approx. 1040 rpm.

AFTER DAILY OPERATION

- a) Turn off the machine and disconnect it from the mains.
- b) Unclamp the tool.
- c) Clean the machine and apply oil to blank parts, guideways and spindles.
- d) Cover the machine with a cloth to protect it against dust and dirt.



Always wear safety glasses!

ADJUSTMENT OF THE WORK TABLE

- a) To raise or lower the work table, loosen the locking lever; the work table can now be lowered or raised along the column via the rack.
When the table has reached the desired height, re-tighten the locking lever to avoid vibration.
- b) The work table can be rotated by 360° after the locking screw has been loosened.
After adjustment to the correct angular position, re-tighten the locking screw.

ADJUSTMENTS FOR DRILLING

- a) Adjust the drilling depth using the depth stop.
- b) Drilling feed motion is now performed by rotating the star handle.

T SLOTS IN WORK TABLE AND BASE

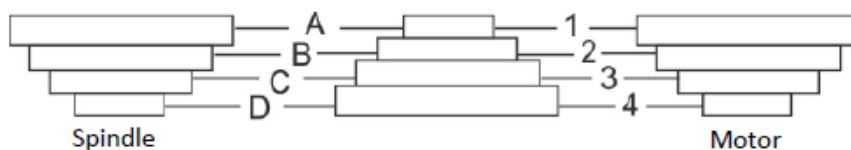
To ensure safe work, the workpiece must always be safely clamped on the cross table using a suitable fixture. The work table is provided with 12 mm T slots. A comprehensive range of suitable fixtures is offered. Please see the **PROMAC-metal working machines catalog**.

SPEED ADJUSTMENT

The desired speed can be selected by changing the position of the vee belt according to the table stated below.

1. Turn off the machine.
2. Open the vee belt guard.
3. Loosen the set screw.
4. Slide the motor towards the machine head housing, to slacken the vee belt.
5. Position the vee belt in the desired groove of the pulleys.
6. Tension the vee belt by sliding the motor (approx. 1 cm slack).
7. Close the vee belt guard and start the machine.

Spindle speeds



A — 4	150	B — 4	250
A — 3	270	C — 4	380
B — 3	440	A — 2	480
D — 3	950	B — 1	1120
C — 2	1330	D — 2	1600
C — 1	1980	D — 1	2840

MAINTENANCE

Below, please find the essential maintenance works that can be divided into daily, weekly, monthly and semi-annual maintenance. Neglecting the regular maintenance will result in premature wear and poor performance of the machine.

Daily maintenance

- General cleaning of the machine by removing the chips.
- Cleaning of the spindle taper.
- Inspection of the tool for wear.
- Inspection of the safety guards for correct working order.

Weekly maintenance

- General, careful cleaning of the machine by removing the chips.
- Cleaning and lubrication of the spindle.
- Sharpening of the tool.
- Check the safety guards for correct working order and potential defects.

Monthly maintenance

- Re-tighten all screws.
- Check that all safety guards and devices are correctly mounted.

Maintenance of the vee belt

- For operation, the vee belt must have the correct tension to ensure that the motor force is optimally transferred to the tool. **Pull out the power cord!** Open the belt guard. Loosen the locking screw and shift the motor in the desired direction until the belt has the correct tension (approx. 10 mm slack).
- For vee belt replacement, loosen the locking screw, replace the vee belt and tension it as described above. Close the belt guard!

NON-ROUTINE MAINTENANCE

Non-routine maintenance should be carried out by qualified maintenance staff. In any case, it is recommended to contact your machine distributor.

The correct re-installation of the safety guards and devices is also considered as non-routine maintenance.

SHUTDOWN

If the drill press shall be taken out of service for an extended period it is recommended:

- to pull out the power plug.
- to clean the machine carefully and to protect it by taking preservation measures.
- to cover the machine with a tarpaulin if necessary.

DISPOSAL

General rules

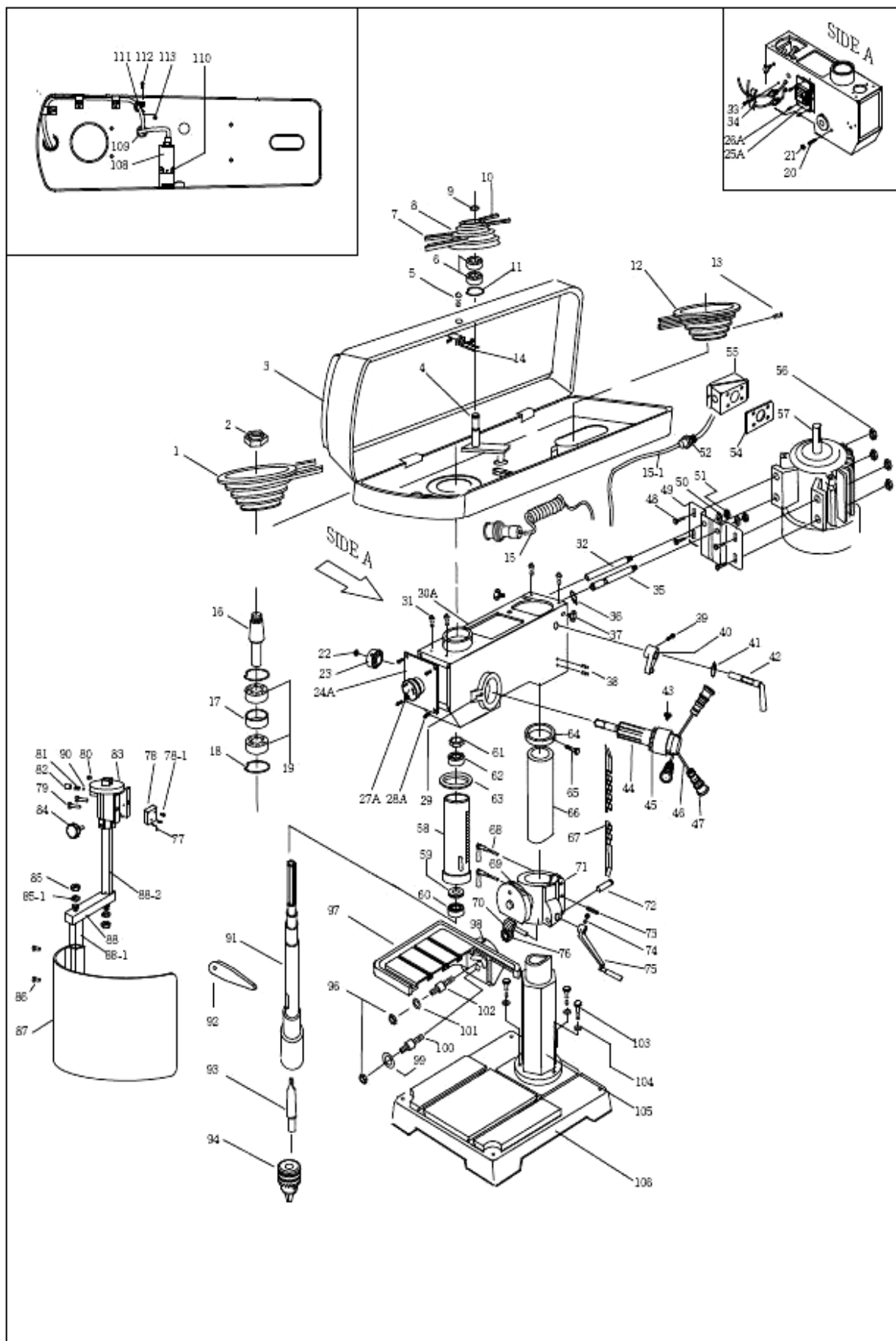
For final machine teardown and scrapping, the type and composition of the materials to be disposed of should be taken into account. In detail, this means:

- Ferrous metals and cast iron, both of which consist solely of a metal that is regarded as a secondary raw material, must be handed over to iron works that are authorized to melt down the materials subject to the reimbursement of the individual constituents.
- Electrical parts including power cord and electronic components that are classified as material that can be disposed of by the municipal waste disposal service, can be handed over directly to the administration of the waste disposal service.
- As for the storage, transport and subsequent disposal of used mineral, synthetic and mixed oils as well as water-soluble oils and greases being considered as special waste, please contact the consortium for used oils.

Remark: As the provisions and laws regarding waste disposal are permanently subject to changes and modifications, the user is advised to inform himself of the valid provisions concerning the teardown of machine tools that might deviate from the above-mentioned standards. In any case, the above-mentioned instructions are to be regarded as general instructions that have only guideline character.

EXPLOSION DRAWING / ERSATZTEILZEICHNUNG / VUE ÉCLATÉE

214AB



ALLGEMEINE SICHERHEITSVORSCHRIFTEN

Hinweis: Die Nicht-Beachtung dieser Anweisungen kann schwere Verletzungen zur Folge haben.

Wie bei allen Maschinen sind auch bei dieser Maschine beim Betrieb und der Handhabung maschinentypische Gefahren gegeben. Die aufmerksame Bedienung und der richtige Umgang mit der Maschine verringern wesentlich mögliche Unfallgefahren. Werden die normalen Vorsichtsmassnahmen missachtet, sind Unfallgefahren für den Bedienenden unausweichlich.

Die Maschine wurde nur für die gegebenen Verwendungsarten angelegt. Wir legen Ihnen dringend nahe, die Maschine weder abgeändert noch in einer Art und Weise zu betreiben, für die sie nicht ausgelegt wurde.

Sollten Sie Fragen zum Betrieb der Maschine haben, wenden Sie sich bitte zuvor an den Händler, der Ihnen weiterhelfen kann, wenn Ihnen die Bedienungsanleitung keinen Aufschluss gibt.

ALLGEMEINE REGELN ZUM SICHEREN UMGANG MIT MASCHINEN

1. Zur eigenen Sicherheit immer erst die Bedienungsanleitung lesen, bevor die Maschine in Betrieb gesetzt wird. Die Maschine, deren Bedienung und Betriebsgrenzen kennenlernen, sowie deren spezifische Gefahren erkennen.
2. Schutzabdeckungen in betriebsfähigem Zustand halten und nicht abbauen.
3. Elektrisch betriebene Maschinen mit einem Netzanschlusstecker mit Schutzkontakt immer an eine Steckdose mit Schutzkontakt (Erdung) anschliessen. Werden Zwischenstecker ohne Schutzkontakt verwendet, muss der Schutzkontaktanschluss zur Maschine unbedingt hergestellt werden. Die Maschine niemals ohne Schutzkontaktanschluss (Erdung) betreiben.
4. Lose Spannhebel oder Schlüssel immer von der Maschine entfernen. Ein Verhalten entwickeln, dass immer vor dem Einschalten der Maschine geprüft wird, ob alle losen Bedienelemente entfernt wurden.
5. Arbeitsbereich hindernisfrei halten. Verstellte Arbeitsbereiche und Arbeitsflächen fordern Unfälle gerade zu heraus.
6. Maschine nicht in gefährvoller Umgebung betreiben. Angetriebene Maschine nicht in feuchten oder nas-sen Räumen betreiben oder diese dem Regen aussetzen. Arbeitsfläche und Bereich immer gut beleuch-ten.
7. Kinder und Besucher von der Maschine fernhalten. Kinder und Besucher immer in sicherem Abstand zum Arbeitsbereich halten.
8. Die Werkstatt oder den Arbeitsraum vor unbefugtem Betreten absichern. Kindersicherungen in Form von verschliessbaren Riegeln, absperrbaren Hauptschaltern etc. anbringen.
9. Maschine nicht überlasten. Die Arbeitsleistung der Maschine wird besser und der Betrieb sicherer, wenn diese in den Leistungsbereichen betrieben wird, für welche sie ausgelegt ist.
10. Anbaugeräte nicht für Arbeiten einsetzen, für welche sie nicht ausgelegt sind.
11. Richtige Arbeitskleidung tragen; lose Kleidung, Handschuhe, Halstücher, Ringe, Hals- oder Handketten oder anderen Schmuck vermeiden. Diese könnten sich in bewegenden Maschinenteilen verfangen. Schuhe mit rutschfesten Sohlen tragen. Eine Kopfbedeckung tragen, die lange Haare vollständig abdeckt.
12. Immer eine Schutzbrille tragen. Hier gemäss den Unfallverhütungsvorschriften verfahren. Ebenso eine Staubmaske bei Arbeiten mit Staubanfall tragen.
13. Werkstücke festklemmen. Zum Halten des Werkstücks immer einen Schraubstock oder eine Spannvorrichtung verwenden. Dies ist sicherer als mit der Hand, und es stehen beide Hände zum Bedienen der Maschine frei.

ALLGEMEINE SICHERHEITSVORSCHRIFTEN

14. Auf Standsicherheit achten. Fussstellung und körperliche Balance immer so halten, dass der sichere Stand gewährleistet ist.
15. Maschine immer in einwandfreiem Zustand halten. Hierzu die Schneidflächen scharf und sauber für die optimale Leistung halten. Die Betriebsanweisung für die Reinigung, das Schmieren und den Wechsel von Anbaugeräten beachten.
16. Maschine immer vom Netz trennen, bevor Wartungsarbeiten oder der Wechsel von Maschinenteilen, wie Sägeblatt, Schneidwerkzeuge etc. erfolgen.
17. Nur das empfohlene Zubehör verwenden. Dazu die Anweisungen in der Bedienungsanleitung beachten. Die Verwendung von ungeeignetem Zubehör birgt Unfallgefahren in sich.
18. Vermeiden Sie ein unbeabsichtigtes Inbetriebsetzen. Immer vor dem Herstellen des Netzanschlusses prüfen, ob der Betriebsschalter in der Stellung "0" (Aus) steht.
19. Niemals auf die Maschine steigen. Schwere Verletzungen sind möglich, falls die Maschine kippt oder in Berührung mit dem Schneidwerkzeug kommt.
20. Schadhafte Maschinenteile prüfen. Beschädigte Schutzvorrichtungen oder andere Teile sollten vor dem weiteren Betrieb einwandfrei repariert oder ausgetauscht werden.
21. Maschine nie während des Betriebs verlassen. Immer die Netzversorgung abschalten. Maschine erst verlassen, wenn diese vollständig zum Stillstand gekommen ist.
22. Maschine nie unter Einfluss von Alkohol, Medikamenten oder Drogen bedienen.
23. Sicherstellen, dass die Maschine von der Netzversorgung getrennt ist, bevor Arbeiten an der elektrischen Anlage, am Antriebsmotor etc. erfolgen.

HINWEISE ZUR ARBEITSSICHERHEIT

Transport der Maschine

1. Die Maschine wiegt bis zu 164kg.
2. Für den Transport geeignete Transportmittel verwenden.
3. Die Maschine ist stark kopflastig, beim Transport besteht Kippgefahr!



Immer Schutzbrille tragen!

Arbeitsplatz

1. Die Beleuchtung und Belüftung des Arbeitsraumes muss ausreichend sein.
2. Die Beleuchtung für ein sicheres Arbeiten muss 300 LUX betragen.

Lärmpegel

1. Der Lärmpegel der Maschine während des Betriebes liegt bei 70dB.
 2. Je nach Material kann sich beim Bohren der Lärm erhöhen.
- Es ist daher nötig, sich gegen den Lärm zu schützen und geeignete Schutzmaßnahmen vorzunehmen (z.B. Ohrschutz).

Elektrischer Netzanschluss

1. Die Maschinen Modell 214AB werden mit einem Netzkabel mit Stecker geliefert, 400V, 50Hz.
Die Anschlüsse sowie Änderungen des Netzanschlusses sind von einem Fachmann gemäss Norm EN60204-1, Punkt 5.3 vorzunehmen.
2. Die Absicherung muss min. 10 A sein.
3. Die genauen elektrischen Daten finden Sie auf dem Typenschild der Maschine und dem elektrischen Plan, der dieser Anleitung beiliegt.
4. **ACHTUNG:** Für alle Service- oder Umrüstarbeiten sowie Reparaturen ist die Maschine vom elektrischen Netz zu trennen (Stecker ausziehen).
5. Das gelb/grüne Erdungskabel ist wichtig für die elektrische Sicherheit.
Es ist daher auf die richtige Montage zu achten.

CONSIGNES DE SÉCURITÉ

Remarque: Le fait de ne pas lire les consignes peut avoir des blessures graves pour conséquence.

Comme toutes les machines, une perceuse comporte des dangers propres à l'utilisation et au maniement des machines en général. La mise en marche attentive et le maniement correct réduisent considérablement les risques d'accident.

Par contre, la négligence des précautions élémentaires entraîne inévitablement le risque d'accident pour l'opérateur.

La conception de cette machine est spécifique à l'utilisation préconisée. Pour cette raison, nous déconseillons formellement toute utilisation pour des opérations non prévues par le constructeur et toute modification de la machine.

Si vous avez des questions concernant l'utilisation et si vous ne trouvez pas la réponse dans ce mode d'emploi, veuillez demander conseil à votre distributeur qui vous assistera professionnellement.

DIRECTIVES GÉNÉRALES DE SÉCURITÉ ET DU MANIEMENT DES MACHINES

1. Pour votre propre sécurité, ne jamais mettre en marche une machine avant d'avoir étudié son mode d'emploi.
Il vous fait connaître la machine et son maniement, vous familiarise avec ses possibilités et limites d'exploitation et vous informe des risques encourus du fait de négligences.
2. Maintenir les protections en parfait état de fonctionnement, ne pas les démonter.
3. Brancher les machines électriques, munies d'une fiche secteur avec terre, sur une prise avec contact de terre.
En cas d'utilisation d'adaptateurs sans contact de terre, relier directement la borne de terre de la machine.
Ne jamais mettre en marche une machine sans qu'elle soit mise à la terre.
4. Avant la mise en marche de la machine, éloigner toutes les clés ou leviers d'armement qui ne sont pas solidaires de la machine. Développer le réflexe de vérifier l'absence de toute pièce mobile à proximité des organes en mouvement.
5. Dégager un espace de travail suffisant autour de la machine. L'encombrement des plans de travail ou des zones de manoeuvre provoque inévitablement des accidents.
6. Ne pas utiliser la machine dans un environnement à risques. Ne pas faire fonctionner les machines électriques dans des locaux humides; ne pas les exposer à la pluie. Veiller à ce que le plan de travail et la zone d'évolution de l'opérateur soient bien éclairés.
7. Eloigner les visiteurs et enfants de la machine et veiller à ce qu'ils gardent une distance de sécurité de la zone de travail.
8. Protéger le local de travail des accès non autorisés. Faire poser des serrures sur les portes ou poser un verrou sur l'interrupteur principal afin d'éviter la mise en marche par les enfants.
9. Veiller à ce que la machine ne travaille pas en surcharge. Le rendement est meilleur et l'utilisation gagne en sécurité si la machine est exploitée à l'intérieur de ses capacités limites.
10. Ne pas utiliser la machine pour d'autres travaux, mais uniquement ceux pour lesquels elle a été conçue.
11. Porter les vêtements de travail appropriés. Éviter les habits flottants, les gants, écharpes, bagues, chaînettes ou colliers et autres bijoux pouvant être happés par les organes en mouvement. Porter des chaussures à semelles antiglissantes. Porter un couvre-chef enveloppant complètement les cheveux longs.
12. Porter toujours des lunettes de protection et, le cas échéant, un masque antipoussière.
Observer les directives de la prévention des accidents du travail.
13. Bloquer toujours la pièce à usiner dans un étau ou un dispositif de fixation. La tenue manuelle comporte des risques et il est préférable que les deux mains restent disponibles pour les manipulations de la machine.
14. Adopter une position de stabilité corporelle (position des pieds, équilibre du corps).

CONSIGNES DE SÉCURITÉ

15. Maintenir la machine en bon état. Garder les arêtes de coupe propres et bien acérées afin de pouvoir exploiter toutes les capacités de la machine. Respecter le mode d'emploi lors du nettoyage, le graissage et l'échange des outils.
16. Débrancher la fiche secteur avant de procéder aux travaux de maintenance ou à l'échange d'éléments tels que lame de scie, forets et outils de coupe etc.
17. Utiliser exclusivement les accessoires recommandés et respecter les instructions données à cet effet dans le mode d'emploi. L'emploi d'un accessoire étranger au système comporte des risques d'accident.
18. Éviter la mise en marche involontaire. Avant chaque branchement au secteur, vérifier systématiquement que l'interrupteur de la machine est en position ARRÊT (O).
19. Ne jamais monter sur la machine. Son basculement ou le contact avec l'outil de coupe peut causer des accidents très graves.
20. Contrôler les organes défectueux de la machine. Les organes de protection ou les pièces endommagées doivent être correctement réparés ou remplacés avant la poursuite du travail.
21. Ne jamais laisser une machine seule en état de marche. Couper systématiquement l'alimentation secteur et ne quitter la machine que lorsqu'elle s'est complètement arrêtée.
22. Ne jamais intervenir sur une machine sous l'effet de l'alcool, de certains médicaments ou de drogues.

CONSIGNES DE SÉCURITÉ

Transport, manutention de la machine

1. La machine pèse 164 kg.
2. Pour le transport, utilisez des moyens adéquats.
3. Les machines ont un centre de gravité très haut placé.
Attention aux risques de basculement.



Portez vos lunettes de protégé!

Poste de travail

1. L'éclairage et l'aération de l'atelier doivent être suffisants.
2. L'éclairage convenable pour de bonnes conditions de travail doit être de 300 LUX.

Niveau sonore

1. Ces machines émettent à vide un niveau sonore de 70 dB.
2. Selon le matériau qui est percé, ce niveau peut être plus élevé. Il appartient à l'utilisateur de prendre à ce sujet les mesures qui s'imposent pour réduire les bruits le plus possible et pour protéger l'opérateur (Ex. Casque anti-bruit).

Connexion électrique au réseau

1. Les machines modèles 214AB sont livrées avec un câble de raccordement à une arrivée courant de 400V/50/3.
2. La protection doit être égale à un DRT de 10A.
3. Vous trouverez les caractéristiques électriques précises sur la plaque signalétique de type sur la machine, ou dans le schéma du câblage électrique inclus dans le manuel d'utilisation.
4. ATTENTION! Avant toutes interventions de réglages, de maintenance, ou de réparation, débranchez la prise de raccordement au réseau.
5. Le câble de terre, jaune/vert, est essentiel pour la sécurité électrique.
En conséquence il faut prendre grand soin de le brancher correctement au moment de la mise en service de la machine.

ELECTRICAL DIAGRAM / ELEKTRISCHE ANLAGE / SCHÉMA ÉLECTRIQUE

ELEKTRISCHE ANLAGE

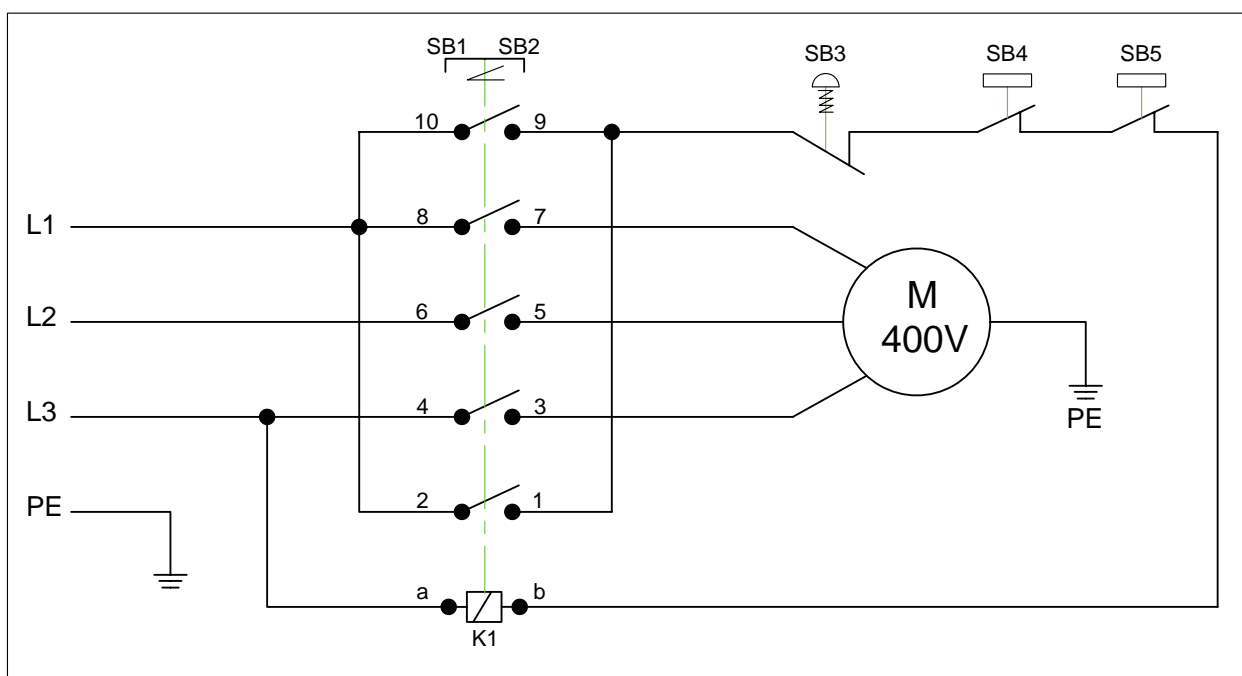
Das Elektroschema, 400Volt, das auch im Motordeckel zu finden ist, enthält die notwendigen Angaben für den korrekten Anschluss Ihrer Maschine ans Netz. Wird der Netzanschluss (Stecker) geändert, muss dies von einem Fachmann ausgeführt werden.

INSTALLATION ELECTRIQUE

Le schéma du câblage électrique pour les machines en 400V, qui est également affiché dans le bornier moteur, contient les indications nécessaires au raccordement correct de la machine avec l'arrivée du réseau.

Un changement éventuel de la fiche doit être effectué par un électricien.

ELEKTROSCHEMA / SCHEMA DU CABLAGE ELECTRIQUE



Stückliste der elektrischen Anlage / Liste des composants de l'installation électrique

Kurzzeichen Référence	Funktion Fonction	Tech. Daten Dates Techniques	Stk Pce	Hersteller Produit	Bemerkungen Remarques
XP	Netzstecker / Fiche	400V,10-1A	1		SEV
	Netzkabel / Câble	H05VV-F4G1.0mm ²	1		
SB 1	Schalterdrücker "Start" Interrupteur "Départ"	AC 400V/7.5A	1	KEDUJD3	IEC 60947-5-1
SB 2	Schalterdrücker "Stop" Interrupteur "Arrêt"	AC 400V/7.5A	1	KEDUJD3	IEC 60947-5-1
SB 3	Mikroschalter "Deckel" Inter. micro "capot"	AC 230V/15.1A	1	DEFOND AMC 1215	EN 60947-5.1
SB 4	Mikroschalter "Schutz" Inter. micro "protection"	AC 230V	1	SHIN02AZE-S11	EN60947-5.1
M	Motor / Moteur	DC 400V/ 0.75kW	1		
K1	Relais	AC 400V/10A	1	JD3	
K2	Relais	AC 400V/10A	1	JD2	
PE	Erdung/Terre		1		

TECHNISCHE DATEN

	214AB
Bohrleistung mm	26 mm
Aufnahme	MK 3
Ausladung	280
Spindelhub	115 mm
Drehzahlen	150-2840
Distanz Spindel-nase-Tisch	690 mm
Distanz Spindel-nase-Fuss	1220 mm
Spindel-hülse	62 mm
Säulendurchmesser	92 mm
Abmessung Tisch	428 x 475 mm
Motor	0.75 kW
Abmessungen Gesamt	1750 x 460 x 840 mm
Gewicht	164 kg

Lärmtes t im Zusammenhang mit dem Punkt 1.7.4.2u der Maschinen-Richtlinie 2006/42/EG
Bei normaler, gleichmässiger Belastung der Bohrmaschine ist der Lärmpegel (IEC 651 - IEC 804) unter 70 dB.
Der Pegel kann jedoch bei verschiedenen problematisch spanbaren Materialien ansteigen, so dass sich das Bedie-nungspersonal mit einem Lärmschutz ausrüsten muss .

MASCHINENBESCHRIEB

Mit den PROMAC Bohrmaschinen stehen Ihnen universelle Bearbeitungszentren zur Verfügung, mit denen die vielfältigsten Zerspanungsarbeiten durchgeführt werden können, wofür sonst mehrere Maschinen erforderlich sind. Bei richtiger Bedienung und Wartung ist die sichere Funktion und die hohe Arbeitsgenauigkeit über Jahre hinaus gewährleistet.

Die Maschine sollte nur nach eingehendem Studium der Bedienungsanleitung und nur, wenn alle Handgriffe, die zur Bedienung gehören, sicher verstanden und beherrscht werden, in Betrieb gesetzt werden.

Dazu sollte die Maschine in ihren einzelnen Funktionen durchgefahen werden, ohne dass dabei die Maschine in Betrieb gesetzt wird.

MERKMAL E

1. Die Bauart dieser Maschine erlaubt das Bohren mit verschiedensten Werkzeugen.
Die Maschine ist mit Stufenriemenscheiben zum Wechseln der Spindelgeschwindigkeiten ausgerüstet.
2. Die Maschine ist präzise verarbeitet und setzt erfahrenem Bedienungspersonal durch die einfache Handhabung keine Grenzen in der Anwendung.
3. Direkte manuelle Spindelhubbewegung für den Bohrvorgang.
4. Die gross dimensionierte Säule verleiht der Maschine eine hohe Steifigkeit gegen Verzug und gewährleistet eine hohe Genauigkeit.
5. Der Maschinenkopf, aus dichtem, gealterten Grauguss hergestellt und gewährleistet die Beibehaltung der Genauigkeit.

CARACTERISTIQUES TECHNIQUES

	214AB
Capacité de perçage	26 mm
Cône	CM3
Col de cygne	280 mm
Course de broche	115 mm
Plage des vitesses	12 vitesses / 150- 2840tpm
Distance broche-table	690 mm
Distance broche-base	1220 mm
Diamètre de la broche	62 mm
Diamètre de la colonne	92 mm
Dimensions table	428 x 475 mm
Moteur	0.75 kW
Dimensions	1750 x 460 x 840 mm
Poids	164 kg

Test du niveau sonore, effectué conformément au point 1.7.4.2u de la Directive Machines 2006/42/CE
Avec une charge normale de travail la machine émet un niveau sonore inférieur à 70 dB (IEC 651 - IEC 804).
Toutefois ce niveau sonore peut éventuellement être supérieur en raison du matériau usiné.
Dans un tel cas l'opérateur doit être protégé contre le bruit à l'aide de moyens appropriés.

DESCRIPTION DE LA MACHINE

Avec une utilisation conforme à ses capacités et une maintenance régulière, son bon fonctionnement et sa grande précision de travail sont garantis pour de longues années.

La machine ne doit être utilisée que par du personnel qui a pris soin d'étudier le manuel d'utilisation, qui comprend et maîtrise son maniement.

Pour cela chaque fonction de la machine doit être exécutée à vide et maîtrisée, avant qu'elle soit utilisée en travail.

PARTICULARITÉS

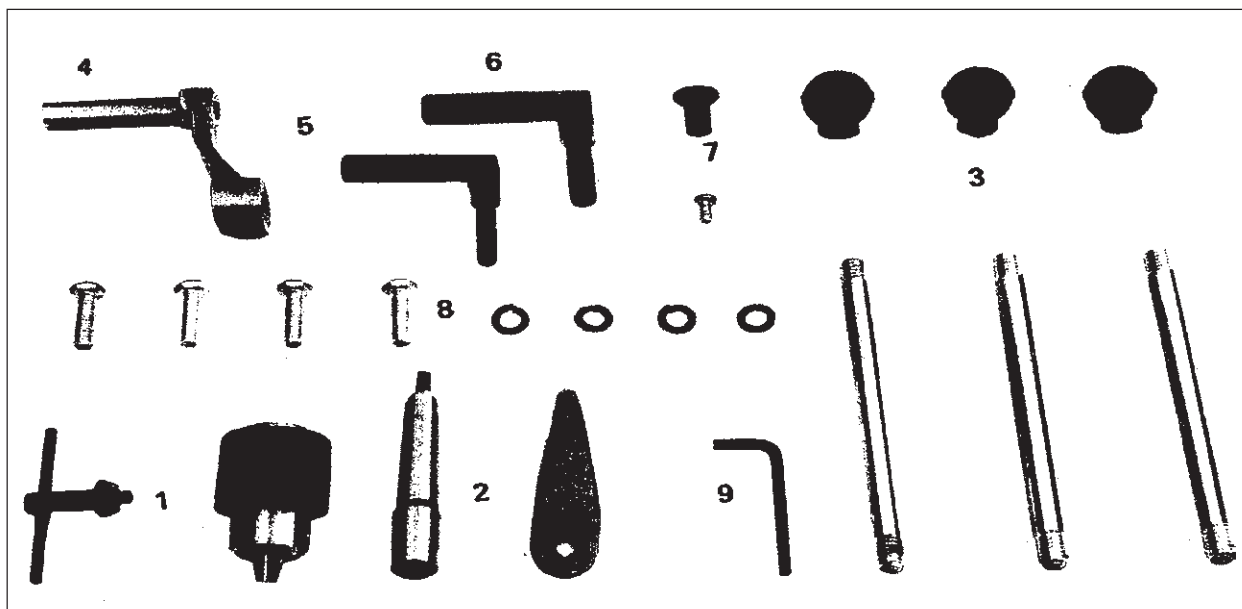
1. Permet de percer avec un grand choix d'outils.
2. La machine est construite avec précision. Un personnel qualifié ne trouve pas de limites dans la simplicité de son utilisation.
3. Le perçage s'effectue par la méthode de descente manuelle de la broche.
4. La colonne creuse confère aussi à la machine une grande rigidité contre les déformations et garantie une haute précision de travail.
5. La tête de la machine est en fonte grise vieillie. Elle est également garante de la précision.

ZUSAMMENBAU

Auspacken der Maschine

Die Maschinenteile aus der Verpackung nehmen und die Teile nach der untenstehenden Liste überprüfen.

- | | |
|----------------------------------|-------------------------------|
| 1. 16mm Bohrfutter mit Schlüssel | 6. Klemmgriff |
| 2. Adapter MK3/B18 | 7. Griffknopf |
| 3. Griffknopf mit Stangen (3) | 8. Schraube mit Federring (3) |
| 4. Drehkurbel | 9. Inbusschlüssel |
| 5. Klemmgriff | |

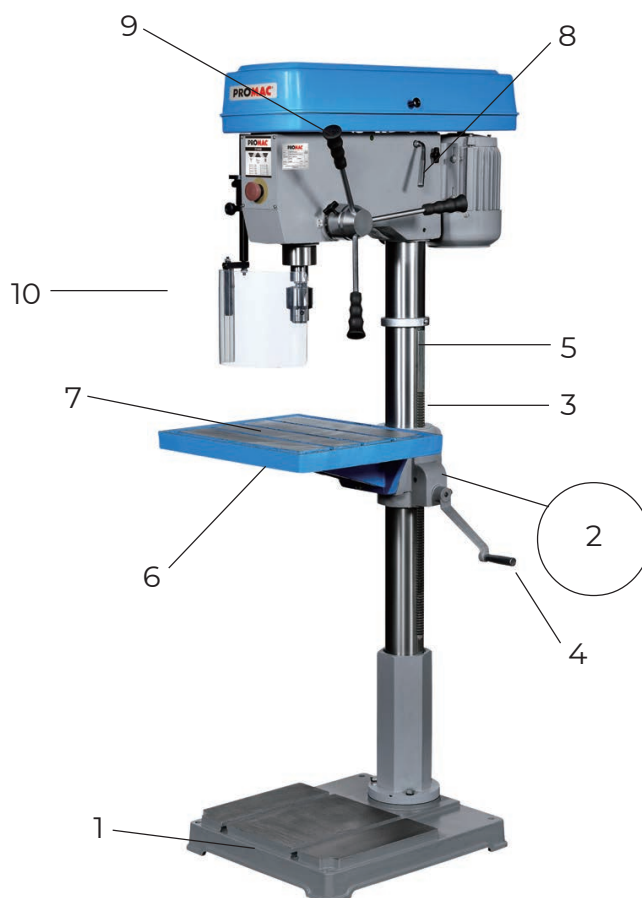
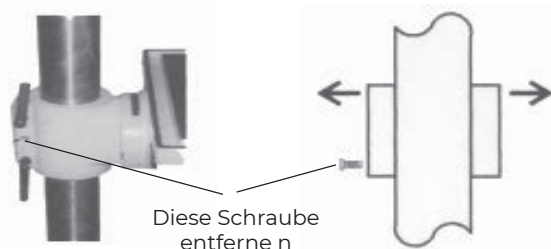


Die Maschine wie nebenstehend gezeigt zusammenbauen.

1. Die Säule auf den Fuss (1) stellen, mit den Schrauben und Scheiben befestigen.
2. Den Säulenflansch (2) mit eingeführter Zahnstange (3) auf die Säule montieren. Die Drehkurbel (4) montieren und mit der Schraube fixieren. Hinweis beachten.
3. Den Ring (5) montieren und mit den Schrauben fixieren.
4. Den Arbeitstisch (6) auf den Flansch (2) montieren.
5. Die Klemmhebel (7) einschrauben.
6. Den Kopf (8) auf die Säule stellen und in die richtige Stellung zur Fussplatte richten. Die Schrauben festziehen.
7. Die Drehgriffe (9) montieren.
8. Den Späneschutz (10) montieren.

Hinweis zu Pos. 2

Nach Montage des Flansches muss die Schraube entfernt werden, diese wird nur zur Montagehilfe benötigt.

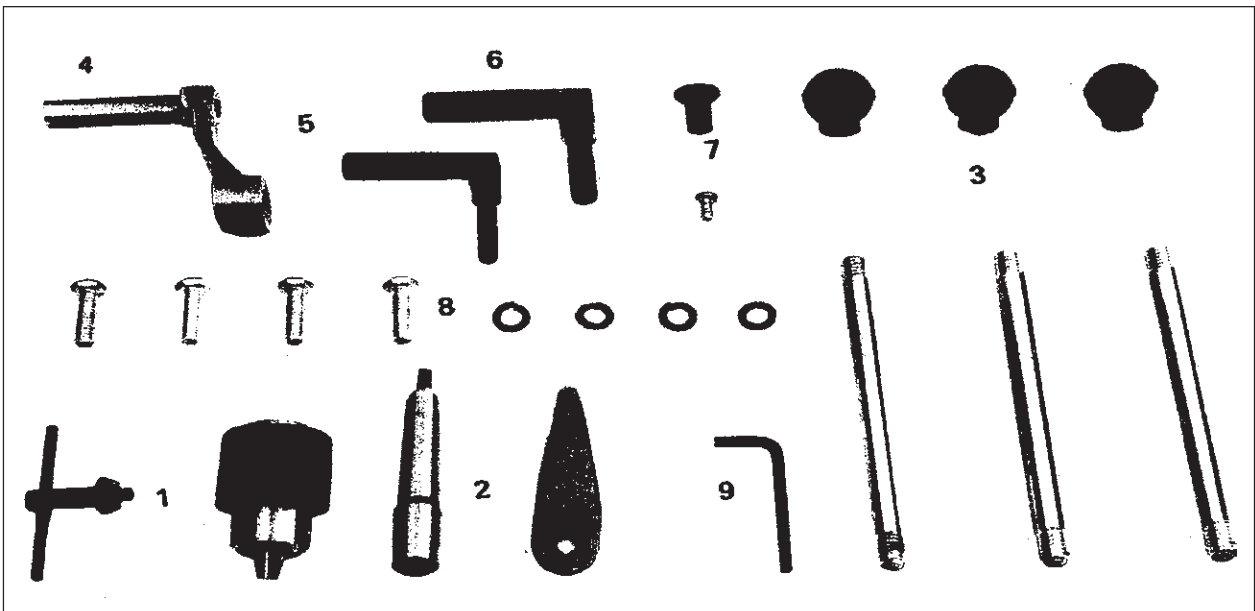


ASSEMBLAGE

Déballage de la machine

Déballer les parties de la machine et contrôler selon la liste ci-dessous.

- | | |
|----------------------------|----------------------------------|
| 1. Mandrin à clé 16mm | 6. Levier de blocage |
| 2. Adaptateur CM3/B18 | 7. Poignée |
| 3. Poignées et leviers (3) | 8. Vis et rondelle à ressort (3) |
| 4. Manivelle | 9. Clé |
| 5. Levier de serrage | |

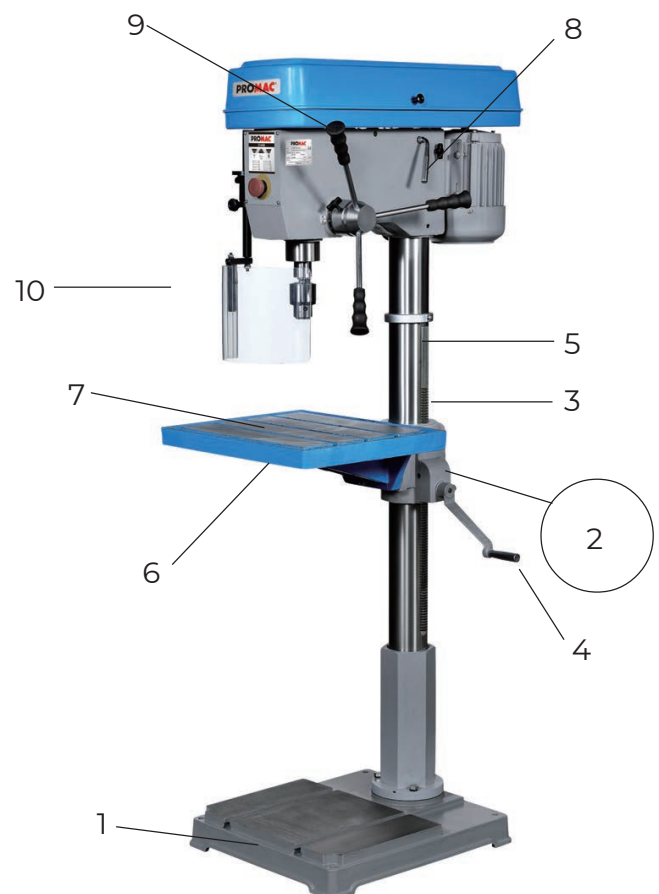
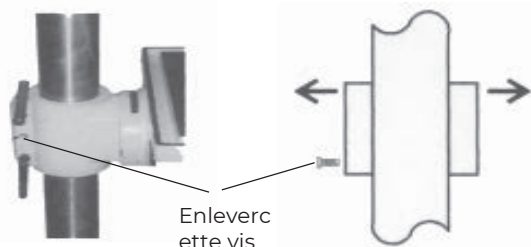


Assembler la machine suivant le dessin ci-contre.

1. Poser la colonne sur le pied (1), fixer avec les vis et rondelles.
2. Loger le flasque de la colonne (2) avec la crémaillère (3) à la colonne. Mettre la manivelle (4) et serrer avec la vis. Veuillez lire les avertissements.
3. Mettre la bague de blocage (5) autour de la colonne et bien serrer.
4. Monter la table (6) sur le flasque (2).
5. Visser les leviers de blocage (7).
6. Poser la tête (8) sur la colonne et aligner avec la base. Serrer les vis.
7. Assembler les poignées (9).
8. Monter la protection copeaux (10).

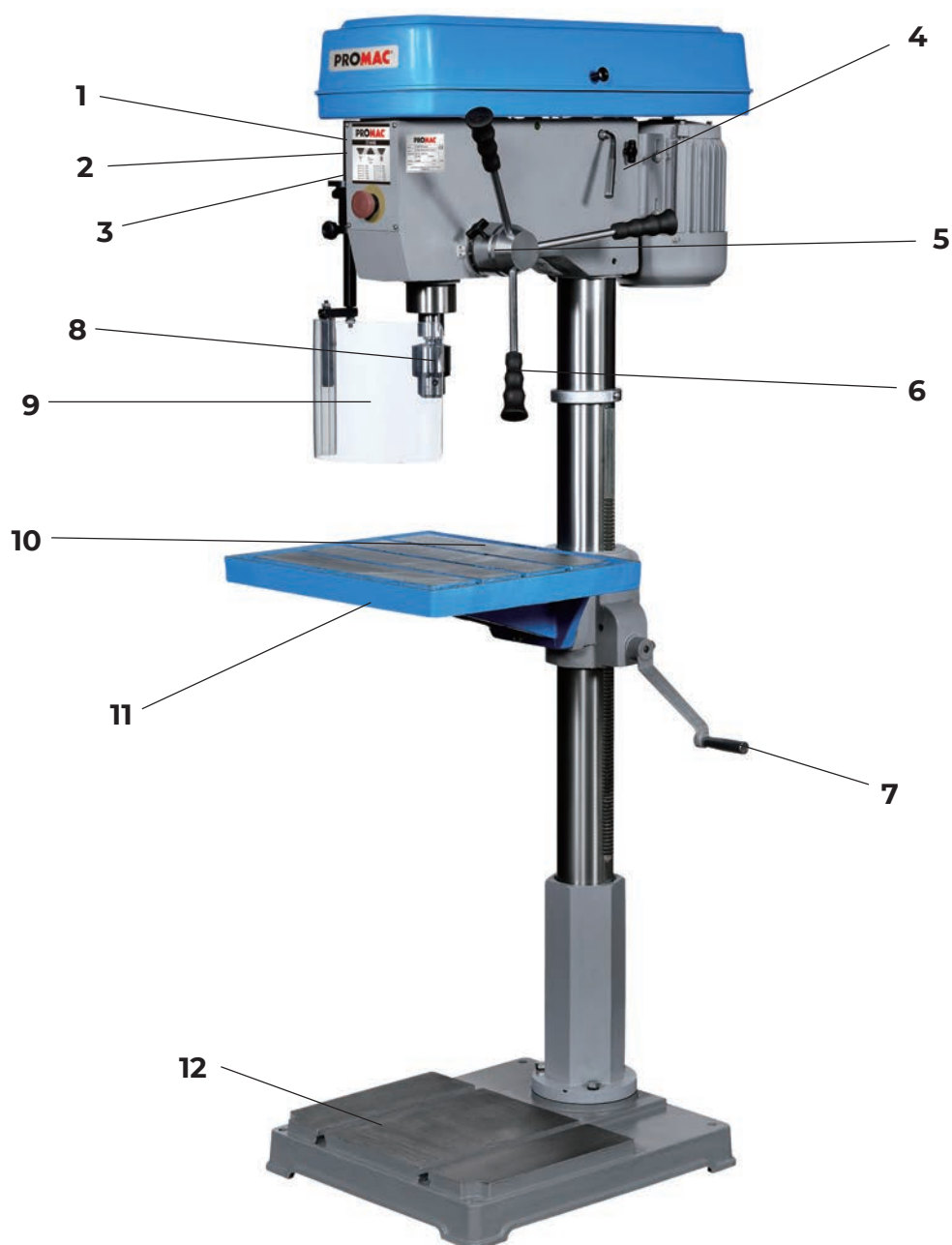
Avertissement pour Pos. 2

Après avoir monté le flasque, enlever la vis.
Elle ne sert que pour l'assemblage.



HAUPTBEDIENUNGSELEMENTE / ÉLÉMENTS PRINCIPAUX DE CONDUITE

1. Startdrücker / Interrupteur de marche
2. Not-/Ausschalter / Interrupteur coup de poing
3. Stopdrücker / Inter. d'arrêt
4. Keilriemenspanner / Levier de tension de la courroie
5. Tiefenanschlag / Butée de profondeur
6. Spindelvorschubgriffe / Levier de descente de la broche
7. Drehkurbel Tisch / Manivelle table
8. Bohrfutter / Mandrin
9. Späneschutz / Protection copeaux
10. Klemmschraube / Vis de blocage
11. Arbeitstisch drehbar / Table pivotante
12. Fussplatte / Base



AUFSTELLUNG DER MASCHINE

Die Mindestvoraussetzungen des Lokals zur Aufstellung der Maschine sind:

- Netzspannung und Frequenz entsprechen den Merkmalen des Motors der Maschine.
- Umgebungstemperatur von - 10°C bis + 50°C.
- Relative Luftfeuchtigkeit nicht mehr als 90%.

Montage der Maschine

1. Arbeitstisch auf der Säule festklemmen.
2. Die Maschine an einem gleichmässig temperierten Platz montieren. Darauf achten, dass am Aufstellort die Maschine nicht der Sonneneinstrahlung ausgesetzt ist. Andernfalls besteht die Gefahr des Verzugs und die Einbusse der Genauigkeit.
3. Der Maschinenfuss hat zwei Schlitzbohrungen für die Befestigungsschrauben. Vor dem Festziehen der Schrauben ist zu prüfen, ob der Aufspanntisch in der Längs- und Querrichtung in Bezug auf die umlaufende Arbeitsspindel fluchtet. Dazu eine Messuhr mit 1/1000 Ablesung mit der entsprechenden Aufnahme in die Arbeitsspindel einsetzen und den Tisch danach ausrichten. Zum Ausrichten sind entsprechende Folien-bleche passender Stärke (Spionblech) zwischen der Montageebene und dem Maschinenfuss beizulegen.

Reinigung und Schmierung der neuen Maschine

Für den Transport sind die blanken Flächen der Maschine mit einem zähen Fett gegen Korrosion geschützt. Dieses muss, bevor die Maschine in Betrieb gesetzt wird, vollständig entfernt werden. Dazu ist entweder Petroleum oder Waschbenzin zu verwenden.

Hinweis: Keine Lackverdünner oder ähnliches verwenden, da sonst die Lackierung der Maschine zerstört wird. Darauf achten, dass keine Lösungsmittel oder Fette an Gummi- und Kunststoffteile gelangen.

Nach der Reinigung sind alle blanken Teile mit einem Oelfilm zu überziehen, das mittelviskose Öl

PROMAC Art. 100385 verwenden.

VORBEREITUNGEN ZUM BETRIEB

Alle Teile der Maschine vor der Inbetriebsetzung auf einwandfreien Zustand und Funktion prüfen.

Wenn die der Maschine entsprechenden Sicherheitsvorkehrungen und die maschinengerechte Bedienung eingehalten werden, ist die Präzision der Maschine über lange Zeit gewährleistet.

INBETRIEBNAHME

- a) Spindel und Säule mit **PROMAC Oel Art. 100385** schmieren.
- b) Prüfen, ob die Fläche des Aufspanntisches frei von Staub, Spänen oder Oelresten ist.
- c) Prüfen, ob das Bearbeitungswerkzeug scharf und einwandfrei eingespannt ist und das Werkstück sicher aufgespannt ist.
- d) Sicherstellen, dass die Arbeitsspindeldrehzahl nicht zu hoch eingestellt ist und die Schnittgeschwindigkeit der durchzuführenden Arbeit entspricht.
- e) Sicherstellen, dass alles vor Aufnahme der Arbeit vorbereitet ist.

HINWEIS vor der ersten Inbetriebnahme

- a) Der Keilriemen ist nicht gespannt, um Verformungen zu vermeiden.
Bitte vor Einsatz Spannen, wie auf Seite 17 beschrieben.
- b) Die Maschine vor dem ersten Einsatz 1/2 Stunde ohne Belastung mit ca. 1040 Upm einlaufen lassen.

NACH DEM BETRIEB

- a) Maschine abschalten und vom Netz trennen.
- b) Werkzeug ausspannen.
- c) Maschine reinigen, blankte Teile, Führungen und Spindeln einölen.
- d) Maschine mit Tuch abdecken, um sie vor Staub und Schmutz zu schützen.

EIN- / UND VERSTELLUNG DES ARBEITSTISCHES

- a) Um den Arbeitstisch zu heben oder zu senken, den Klemmhebel lösen nun kann der Tisch auf der Säule über die Zahnstange gehoben und gesenkt werden. Nach Erreichen der gewünschten Höhe ist der Klemmhebel wieder festzuziehen, um Vibrationen zu vermeiden.
- b) Der Arbeitstisch kann nach Lösen der Klemmschraube um 360° gedreht werden. Nach einstellung der gewünschten Winkelposition ist die Klemmschraube wieder festzuziehen.



Immer Schutzbrille tragen!

EINSTELLEN ZUM BOHREN

- a) Bohrtiefe mittels Tiefenanschlag einstellen.
- b) Der Vorschub zum Bohren erfolgt jetzt durch Drehen des Kreuzgriffs.

T-NUTEN AUF ARBEITSTISCH UND FUSSPLATTE

Für ein sicheres Arbeiten muss das Werkstück immer mittels geeignetem Spannwerkzeug fest auf den Kreuztisch gespannt werden. Die T-Nuten im Arbeitstisch haben das Mass von 12mm. Eine grosse Auswahl von geeigneten Spannwerkzeugen dazu finden Sie im **PROMAC-Metallmaschinen-Katalog**.

INSTALLATION DE LA MACHINE

Conditions minimales à respecter pour le local où la machine sera installée:

- Tension et fréquence du courant d'alimentation conformes aux caractéristiques du moteur de la machine.
- Température ambiante de -10°C à +50°C.
- Humidité relative inférieure à 90%.

Montage de la machine

1. Assembler les différentes parties de la machine.
2. Placer la machine dans un endroit tempéré et à l'abri des rayons du soleil.
Faute de prendre ces précautions les risques sont grands de perdre de la précision.
3. Le pied de la machine a deux trous qui sont prévus pour le passage des vis de fixation.
Avant de serrer les vis de fixation il faut s'assurer que la table de travail est de niveau, longitudinalement et transversalement, avec la broche. Pour cela utiliser un comparateur de précision, avec lecture au 1/1000, le fixer sur une queue insérée dans le logement de la broche, puis contrôler la position de la table en faisant pivoter la broche. Pour le réglage il faut insérer des lamelles métalliques d'épaisseur convenable (Jauges d'épaisseur), entre la plaque de montage et le pied de la machine.

Nettoyage et graissage d'une machine neuve

Pendant le transport toutes les parties brillantes de la machine (non peintes) sont enduites d'une graisse anticorrosion. Cette protection doit être totalement supprimée avant la mise en service de la machine. Pour ce faire utiliser du pétrole ou de l'éther de pétrole.

Attention: Ne pas utiliser un diluant de peinture, quel qu'il soit, sinon la peinture de la machine en serait détériorée.

Durant cette opération veiller à ce qu'aucune pièce à base de caoutchouc ou de matière synthétique soit touchée par le solvant de la graisse.

Après le nettoyage les parties non peintes sont à enduire d'un léger film d'huile de viscosité moyenne.

PRÉPARATION POUR LA MISE EN SERVICE

Avant de mettre la machine en service, vérifier que toutes ses pièces sont en bon état et que son fonctionnement à vide est correct. Si les Mesures de sécurité et les conditions normales d'utilisation de la machine sont respectées, sa précision sera assurée pendant de longues années.

MISE EN SERVICE

- Graisser la broche et la colonne avec de l'huile.
- S'assurer qu'il n'y a pas de poussières, copeaux, restes d'huile, ou autres souillures sur la table.
- Vérifier que l'outil est bien affûté et que la pièce est correctement serrée.
- Contrôler que la vitesse de broche est conforme au travail à effectuer.
- Avoir la certitude, avant de continuer à travailler, que toutes les conditions préalables sont bien observées.

IMPORTANT avant la première mise en marche

- la courroie n'est pas tendue, pour éviter une déformation. Avant de travailler tendez la courroie comme décrit à la page 17.
- Faites tourner la machine pendant 1/2 heure à vide à environ 1040 tours/minute Avant la première utilisation.

APRÈS LE TRAVAIL

- Arrêter la machine, puis débrancher la prise de raccordement au réseau.
- Démonter l'outil.
- Nettoyer la machine - Huiler légèrement les parties non peintes.
- Couvrir la machine pour la protéger des poussières et des souillures éventuelles.



Portez toujours vos lunettes de protection!

POSITIONNEMENT DE LA TABLE EN HAUTEUR

- Pour lever ou abaisser la table ou la tête il faut commencer par desserrer la manette de blocage. Positionner la table à la hauteur désirée à l'aide de la poignée.
Quand la table est à la hauteur désirée, ne pas oublier de resserrer la manette de blocage, sinon il y aura de forts risques de vibrations.
- Pour tourner la table jusqu'à 360°, desserrer la vis de blocage. Resserrer la vis de blocage après le réglage de la table dans l'angle désiré.

RÉGLAGE DE PERÇAGE

- Régler la profondeur du perçage à l'aide de la butée de profondeur.
- L'avance de l'outil est commandée manuellement à l'aide du cabestan de manoeuvre.

RAINURES EN T SUR LA TABLE ET LE PIED DE LA MACHINE

Pour travailler en toute sécurité, il faut toujours fixer la pièce sur la table, à l'aide de moyens appropriés. Les rainures en T, prévues à cet effet, ont une largeur de 12 mm. Vous trouverez dans le catalogue des machines PROMAC, pour l'usinage des métaux, un choix important d'outillages aptes à satisfaire de nombreux besoins.

DREHZAHLEINSTELLUNG / RÉGLAGE DE LA VITESSE

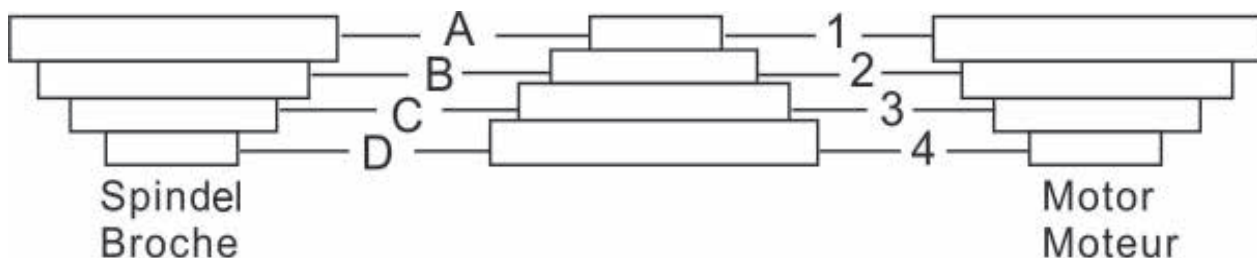
Mittels Umlegen des Keilriemens kann die gewünschte Drehzahl gemäss nachstehender Tabelle eingestellt werden.

1. Die Maschine abstellen.
2. Die Keilriemendeckel öffnen.
3. Die Stellschraube lösen.
4. Den Motor gegen das Kopfgehäuse drücken um den Keilriemen zu entlasten.
5. Den Keilriemen in die gewünschte Stellung der Poulies legen.
6. Den Keilriemen mittels des Motores spannen (Durchhang ca. 1cm).
7. Den Keilriemendeckel schliessen und die Maschine starten.

Déterminez la position de la courroie en fonction de la vitesse de rotation nécessaire au perçage à l'aide du tableau ci-dessous:

1. Arrêter la machine et débrancher du réseau électrique
2. Ouvrir le capot courroies
3. Déserrer les vis de serrage
4. Pousser le moteur l'avant pour détendre les courroies.
5. Changer la position des courroies sur les poulies.
6. Tendre les courroies en repoussant le moteur (laisser un jeu de 1cm).
7. Fermer le capot courroies et redémarrer la machine.

Spindeldrehzahlen / Vitesses de la broche:



A — 4	150	B — 4	250
A — 3	270	C — 4	380
B — 3	440	A — 2	480
D — 3	950	B — 1	1120
C — 2	1330	D — 2	1600
C — 1	1980	D — 1	2840

WARTUNG

Nachstehend sind die wichtigsten Wartungseingriffe angeführt, die in tägliche, wöchentliche, monatliche und halbjährliche Eingriffe unterteilt werden können. Die Nichteinhaltung der vorgesehenen Arbeiten bedingt einen vorzeitigen Verschleiss und geringere Leistung der Maschine.

Tägliche Wartung

- Allgemeine Reinigung der Maschine von angefallenen Spänen.
- Reinigung des Spindelkonus.
- Kontrolle des Werkzeugverschleisses.
- Funktionieren der Schutzabdeckungen kontrollieren.

Wöchentliche Wartung

- Allgemeine, sorgfältige Reinigung der Maschine von angefallenen Spänen.
- Reinigung und Schmierung der Spindel.
- Schärfung der Werkzeuge.
- Schutzabdeckungen auf Funktion und allfällige Defekte kontrollieren.

Monatliche Reinigung

- Alle Schrauben nachziehen.
- Schutzabdeckungen und Vorrichtungen auf ihre Integrität kontrollieren.

Keilriemenwartung

- Der Keilriemen muss in der richtigen Spannung laufen, damit die Kraft des Motors auf das Werkzeug optimal übertragen wird. **Netzkabel ausziehen!** Den Riemendeckel öffnen. Die Spannschraube lösen und den Motor spannen oder lösen, bis der Riemen die richtige Spannung erreicht (ca. 10mm Durchhang).
- Zum Wechseln des Keilriemens die Spannschraube lösen, den Keilriemen ersetzen und spannen wie oben beschrieben. Den Riemendeckel wieder schliessen!

AUSSERORDENTLICHE WARTUNG

Die ausserordentliche Wartung ist vom Fachpersonal durchführen zu lassen. Es empfiehlt sich auf jeden Fall, sich an Ihren Maschinenhändler zu wenden.

Als ausserordentliche Wartung ist auch die Wiederherstellung der Schutzabdeckungen und Sicherheitsvorrichtungen anzusehen.

AUSSERBETRIEBSETZUNG

Wenn die Bohrmaschine längere Zeit nicht verwendet wird, empfiehlt es sich:

- den elektrischen Netzstecker zu ziehen.
- die Maschine sorgfältig zu reinigen und ausreichend zu konservieren.
- falls erforderlich, die Maschine mit einer Plane zuzudecken.

ENTSORGUNG

Allgemeine Vorschriften

Bei der endgültigen Abrüstung und Verschrottung der Maschine muss der Art und der Zusammensetzung der zu entsorgenden Materialien Rechnung getragen werden. Dies bedeutet im Einzelnen:

- Eisenhaltige Materialien und Gusseisen, die allerdings immer nur aus Metall bestehen, bei welchem es sich um einen sekundären Rohstoff handelt, müssen, vorbehaltlich der Vergütung der enthaltenen Bestandteile, den zur Einschmelzung ermächtigten Eisenwerken übergeben werden.
- Die elektrischen Bestandteile, einschliesslich Netzkabel und elektronisches Material, welches als dem städtischen Müll assimilierbar eingestuft wird, kann direkt der Verwaltung der Müllabfuhr übergeben werden.
- Für die gebrauchten Mineral-, synthetischen oder gemischten Öle, wasserlöslichen Öle und Fette, bei welchen es sich um Spezialmüll handelt, muss man sich zwecks Lagerung, Transport und anschliessender Entsorgung an das Konsortium für Gebrauchttöle wenden.

Anmerkung: Da die Vorschriften und Gesetze für die Entsorgung in dauerndem Wandel begriffen sind und daher Änderungen und Neubestimmungen unterliegen, ist der Verwender angehalten, sich über die jeweiligen Vorschriften zur Abrüstung der Werkzeugmaschinen zu unterrichten, die von den oben genannten Normen abweichen können. Die angeführten Hinweise sind in jedem Fall als allgemein und rein richtungsweisend anzusehen.

MAINTENANCE

Les interventions de maintenance, journalières, hebdomadaires, mensuelles et semi-annuelles, à prévoir, sont indiquées ci-après. Ne pas effectuer régulièrement ces travaux serait une cause d'usure prématurée de la machine et d'un rendement moins important.

Entretien journalier

- Nettoyage général de la machine de tous les copeaux qui s'y trouvent.
- Revoir, et compléter si nécessaire, les niveaux de l'huile de graissage et du liquide de coupe (Si la machine est équipée d'un système d'arrosage).
- Nettoyer le cône de la broche.
- Contrôler l'usure de l'outil.
- Contrôler l'état des carters de protection et le fonctionnement du contacteur d'arrêt d'urgence.

Entretien hebdomadaire

- Nettoyage général de la machine de tous les copeaux qui s'y trouvent, et tout spécialement du réservoir du liquide de coupe.
- Nettoyage et léger huilage de la table, de la colonne et de la broche.
- Affûtage de l'outil.
- Contrôler l'état des carters de protection, le fonctionnement du contacteur d'arrêt urgent, et remédier aux défauts éventuellement constatés.

Entretien mensuel

- Vérifier le serrage de toute la visserie.
- Vérifier l'état des carters de protection et de tous les équipements.
Effectuer les réparations ou réglages éventuellement nécessaires.

Entretien et changement des courroies

- la courroie doit avoir la tension correcte pour pouvoir garantir une transmission idéale entre le moteur et la broche **Pour ajuster la tension ou changer les courroies:**
- débrancher la machine du réseau! Ouvrir le capot des courroies, desserrer la vis et serrer ou desserrer le moteur au moyen de l'axe, jusqu'à la tension correcte de la courroie (laisser un jeu de 10mm env.).
Refermer le capot des courroies.

ENTRETIEN EXCEPTIONNEL

Les interventions d'entretien exceptionnel sont à faire par du personnel qualifié. Il est conseillé, dans tous les cas, d'avoir recours à l'assistance du vendeur de la machine.

Cet entretien exceptionnel inclut le remplacement des carters de protection et des équipements de sécurité montés sur la machine.

MISE AU REPOS

Si la machine doit rester inutilisée pendant une longue période, il est conseillé de:

- Débrancher la prise de raccordement au réseau.
- Vider le réservoir du liquide de coupe (Si présent).
- Nettoyer et graisser soigneusement la machine pour lui conserver toutes ses qualités.
- Si nécessaire, la couvrir à l'aide d'une bâche.

ELIMINATION DES DÉCHETS

Mesures générales

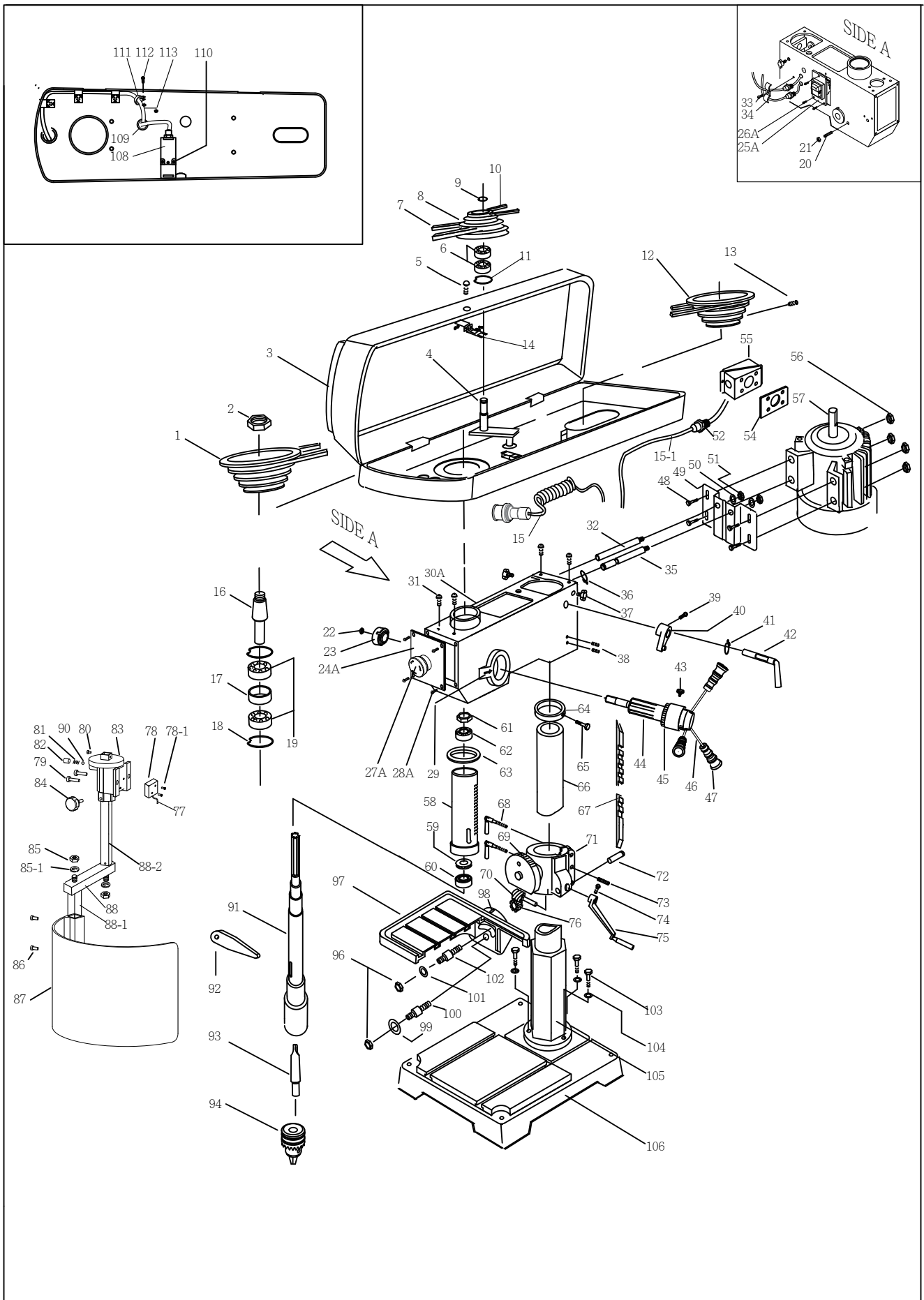
Lors du démontage final de tous les équipements de la machine, et de sa mise à la ferraille, il faut tenir compte du mode et des conditions de mise au rebut des différents matériaux. En détail cela signifie:

- Tous les métaux qui ne contiennent que du fer et de la fonte sont à diriger vers la fonderie pour leur réemploi.
- Les éléments électriques, y compris les câbles et le matériel électronique, assimilables à des déchets ménagers, sont à remettre à l'organisme de traitement de ces déchets qui sera chargé de les sérier.
- Les huiles minérales, les huiles synthétiques, les huiles solubles, et les graisses, sont des déchets spéciaux qui sont à remettre au consortium des huiles usées, qui sera chargé de leur élimination.

Remarques: Etant donné que les directives et les lois, relatives à l'élimination des déchets, sont en permanence sujettes à des modifications, l'utilisateur est tenu de se conformer à toute nouvelle règle concernant la mise au rebut de sa machine, même si elle diffère de ce qui est dit plus haut. Les directives données ne le sont, dans tous les cas, qu'à titre indicatif et dans un but d'information générale.

EXPLOSION DRAWING / ERSATZTEILZEICHNUNG / VUE ÉCLATÉE

214AB





ENVIRONMENTAL PROTECTION

Protect the environment.

Your appliance contains valuable materials which can be recovered or recycled. Please leave it at a specialized institution.



This symbol indicates separate collection for electrical and electronic equipment required under the WEEE Directive (Directive 2012/19/EC) and is effective only within the European Union.

UMWELTSCHUTZ

Schützen Sie die Umwelt!

Ihr Gerät enthält mehrere unterschiedliche, wiederverwertbare Werkstoffe.

Bitte entsorgen Sie es nur an einer spezialisierten Entsorgungsstelle.



Dieses Symbol verweist auf die getrennte Sammlung von Elektro- und Elektronikgeräten, gemäß Forderung der WEEE-Richtlinie (2012/19/EU). Diese Richtlinie ist nur innerhalb der Europäischen Union wirksam.

PROTECTION DE L'ENVIRONNEMENT

Protégez l'environnement !

Votre appareil comprend plusieurs matières premières différentes et recyclables. Pour éliminer l'appareil usagé, veuillez l'apporter dans un centre spécialisé de recyclage des appareils électriques.



Ce symbole indique une collecte séparée des équipements électriques et électroniques conformément à la directive DEEE (2012/19/UE). Cette directive n'est efficace que dans l'Union européenne.



WARRANTY / GARANTIE

TOOL FRANCE guarantees that the supplied product(s) is/are free from material defects and manufacturing faults.

This warranty does not cover any defects which are caused, either directly or indirectly, by incorrect use, carelessness, damage due to accidents, repairs or inadequate maintenance or cleaning as well as normal wear and tear.

Further details on warranty (e.g. warranty period) can be found in the General Terms and Conditions (GTC) that are an integral part of the contract.

These GTC may be viewed on the website of your dealer or sent to you upon request.

TOOL FRANCE reserves the right to make changes to the product and accessories at any time.

TOOL FRANCE garantiert, dass das/die von ihr gelieferte/n Produkt/e frei von Material- und Herstellungsfehlern ist.

Diese Garantie deckt keinerlei Mängel, Schäden und Fehler ab, die - direkt oder indirekt - durch falsche oder nicht sachgemäße Verwendung, Fahrlässigkeit, Unfallschäden, Reparaturen oder unzureichende Wartungs- oder Reinigungsarbeiten sowie durch natürliche Abnutzung durch den Gebrauch verursacht werden.

Weitere Einzelheiten zur Garan können den allgemeinen Geschäftsbedingungen (AGB) entnommen werden.

Diese können Ihnen auf Wunsch per Post oder Mail zugesendet werden.

TOOL FRANCE behält sich das Recht vor, jederzeit Änderungen am Produkt und am Zubehör vorzunehmen.

TOOL FRANCE garantit que le/les produit(s) fourni(s) est/sont exempt(s) de défauts matériels et de défauts de fabrication.

Cette garantie ne couvre pas les défauts, dommages et défaillances causés, directement ou indirectement, par l'utilisation incorrecte ou inadéquate, la négligence, les dommages accidentels, la réparation, la maintenance ou le nettoyage incorrects et l'usure normale.

Vous pouvez trouver de plus amples détails sur la garantie dans les conditions générales (CG).

Les CG peuvent être envoyées sur demande par poste ou par e-mail.

TOOL FRANCE se réserve le droit d'effectuer des changements sur le produit et les accessoires à tout moment.

UK DECLARATION OF CONFORMITY

Edition March 2024

Product:
DRILL PRESS

Model:
214AB

Brand:
PROMAC

Manufacturer or authorized representative:

TOOL FRANCE

Unit 1a Stepnell Park

Off Lawford Road

Rugby

CV212UX

United Kingdom

We hereby declare that this product complies with the regulations:

SUPPLY OF MACHINERY (SAFETY) REGULATIONS 2008

ELECTROMAGNETIC COMPATIBILITY REGULATIONS 2016

Designed in consideration of the standards:

EN ISO 12100:2010,

EN 12717:2001+A1:2009,

EN 60204-1:2006+AC:2010,

EN 61000-6-2:2005,

EN 61000-6-4:2007+A1:2011

Responsible for the documentation / Dokumentations-Verantwortung / Responsable de la documentation :



JÉRÔME GERMAIN

GENERAL MANAGER

DIRECTEUR GÉNÉRAL

N° de série / serial number :

At lisses / Hergestellt in / Fait à Lisses

Date :

**CE-CONFORMITY DECLARATION
CE-KONFORMITÄTSERKLÄRUNG
DÉCLARATION DE CONFORMITÉ CE**

Edition March 2024

Product/Produkt/Produit:

Drill Press / Säulenbohrmaschinen / Perceuses à colonne

214AB

Brand/Marke/Marque:

PROMAC

Manufacturer or authorized representative/Hersteller oder Bevollmächtigter/Fabricant ou son mandataire:

TOOL FRANCE

9 Rue des Pyrénées, 91090 LISSES, France

We hereby declare that this product complies with the regulations
Wir erklären hiermit, dass dieses Produkt der folgenden Richtlinie entspricht
Par la présente, nous déclarons que ce produit correspond aux directives suivantes

2006/42/EC

Machinery Directive / Maschinenrichtlinie / Directive Machines

2014/30/EU

electromagnetic compatibility / elektromagnetische Verträglichkeit / compatibilité électromagnétique

designed in consideration of the standards
und entsprechend folgender zusätzlicher Normen entwickelt wurde
et été développé dans le respect des normes complémentaires suivantes

EN ISO 12100:2010,

EN 12717:2001+A1:2009,

EN 60204-1:2006+AC:2010,

EN 61000-6-2:2005,

EN 61000-6-4:2007+A1:2011

Original instruction manual / Original-Bedienungsanleitung / Notice d'instruction Originale
Responsible for the documentation / Dokumentations-Verantwortung / Responsable de la documentation :



JÉRÔME GERMAIN

GENERAL MANAGER

DIRECTEUR GÉNÉRAL

N° de série / serial number :

At lisses / Hergestellt in / Fait à Lisses

Date :