

PROMAC[®]

01-2024

Metal Lathe
Metalldrehbank
Tour à métaux

PBD-3069



CE

France
TOOL FRANCE S.A.S,
9 Rue des Pyrénées, 91090 LISSES, France
www.promac.fr

**CE-Conformity Declaration CE-
Konformitätserklärung
Déclaration de Conformité CE**

Product / Produkt / Produit:

Metal lathe / Metaldrehbank / Tour à métaux

PBD-3069

Brand / Marke / Marque:

PROMAC

Manufacturer / Hersteller / Fabricant:

TOOL FRANCE S.A.S

9 Rue des Pyrénées, 91090 LISSES, France

We hereby declare that this product complies with the regulations
Wir erklären hiermit, dass dieses Produkt der folgenden Richtlinie entspricht
Par la présente, nous déclarons que ce produit correspond aux directives suivantes

2006/42/EC

Machinery Directive
Maschinenrichtlinie
Directive Machines

2014/30/EU

electromagnetic compatibility
elektromagnetische Verträglichkeit
compatibilité électromagnétique

designed in consideration of the standards
und entsprechend folgender zusätzlicher Normen entwickelt wurde
et été développé dans le respect des normes complémentaires suivantes

EN ISO 12100:2010

EN ISO 23125:2015

EN 60204-1:2018

EN 61000-6-2:2019

EN 61000-6-4:2019

Responsible for the Documentation / Dokumentations-Verantwortung / Responsabilité de Documentation:

Head of Product-Mgmt. / Leiter Produkt-Mgmt. / Resp. Gestion des Produits

TOOL FRANCE S.A.S



JÉRÔME GERMAIN

GENERAL MANAGER

DIRECTEUR GÉNÉRAL

TOOL FRANCE S.A.S,

9 Rue des Pyrénées, 91090 LISSES, France

UK Declaration of Conformity

Product:
METAL LATHE

Model:
PBD-3069

Brand:
PROMAC

Manufacturer or authorized representative:

TOOL FRANCE S.A.S
Unit 1a Stepnell Park
Off Lawford Road
Rugby
CV21 2UX
United Kingdom

We hereby declare that this product complies with the regulations:

Supply of Machinery (Safety) Regulations 2010
Electromagnetic Compatibility Regulations 2018

designed in consideration of the standards:

EN ISO 12100:2010
EN ISO 23125:2015
EN 60204-1:2018 EN 61000-6-2:2019
EN 61000-6-4:2019

Responsible for the Documentation:
TOOL FRANCE S.A.S



JÉRÔME GERMAIN
GENERAL MANAGER
DIRECTEUR GÉNÉRAL

2021-03-26 Christophe SAINT SULPICE, General Manager

TOOL FRANCE S.A.S
9 Rue des Pyrénées, 91090 LISSES, France

EN Operating Instructions

1.0 About this Manual

This manual is provided by PROMAC, covering the safe operation and maintenance procedures for a **PROMAC Model PBD-3069 Metal Lathe**. This manual contains instructions on installation, safety precautions, general operating procedures, maintenance instructions and parts breakdown. The machine has been designed and constructed to provide consistent, long-term operation if used in accordance with the instructions as set forth in this document.

Retain this manual for future reference. If the machine transfers ownership, the manual should accompany it.

2.0 Table of Contents

Section	Page
1.0 About this manual	3
2.0 Table of contents.....	3
3.0 Important safety instructions.....	4~6
3.1 Designated use and limitations to use.....	6
3.2 Remaining hazards	6
4.0 Specifications	7~8
5.0 Machine description.....	9
6.0 Setup and assembly.....	10
6.1 Unpacking and clean up	10
6.2 Shipping contents	10
6.3 Assembly.....	10
6.4 Initial lubrication	10
6.5 Installation.....	10
6.6 Electrical connections.....	10~11
7.0 Grounding instructions.....	10
7.1 Extension cords	11
8.0 Adjustments	11~13
8.1 Spindle speed range selection	11
8.2 Change gear setup.....	11
8.3 Taper turning with tailstock	12
8.4 Taper turning with top slide	12
8.5 Three jaw universal chuck	12
8.6 Four jaw independent chuck	12
8.7 Live centre	13
8.8 Steady rest and follow rest.....	13
9.0 Operating controls.....	14
10.0 Machine operation	14~17
10.1 Cutting execution	14
10.2 Chucking	14
10.3 Cutting tool setup.....	15
10.4 Recommended spindle speeds.....	15
10.5 Manual turning.....	15
10.6 Turning with auto feed	15
10.7 Thread cutting	16
10.8 Drilling operation.....	17
11.0 User maintenance	17~18
11.1 Lubrication.....	17
11.2 Readjustments.....	18
12.0 Troubleshooting	19
13.0 Environmental protection	19
14.0 Available accessories	19
15.0 Replacement parts	20~41
16.0 Wiring diagrams	42~43

3.0 IMPORTANT SAFETY INSTRUCTIONS

READ ALL INSTRUCTIONS BEFORE USING THIS LATHE.



– To reduce risk of injury:

1. Read and understand entire owner's manual before attempting assembly or operation of this machine.
2. Read and understand the warnings posted on the machine and in this manual.
3. Replace warning labels if they become obscured or removed.
4. This machine is designed and intended for use by properly trained and experienced personnel only. If you are not familiar with the proper and safe operation of a metal lathe, do not use until proper training and knowledge have been obtained.
5. Do not use this machine for other than its intended use. If used for other purposes, PROMAC disclaims any real or implied warranty and holds itself harmless from any injury that may result from that use.
6. Always wear approved safety glasses or face shield while using this machine. (Everyday eyeglasses only have impact resistant lenses; they are *not* safety glasses.)
7. Before operating this machine, remove tie, rings, watches and other jewellery, and roll sleeves up past the elbows. Remove loose clothing and confine long hair. Non-slip footwear or anti-skid floor strips are recommended. Do **not** wear gloves.
8. Wear hearing protection (plugs or muffs) during extended periods of operation.
9. Some dust created by sawing may contain chemicals known to cause cancer, birth defects or other reproductive harm. Some examples of these chemicals are:
 - Lead from lead based paint.
 - Crystalline silica from bricks, cement and other masonry products.
 - Arsenic and chromium from chemically treated lumber.Your risk of exposure varies, depending on how often you do this type of work. To reduce your exposure to these chemicals, work in a well-ventilated area and work with approved safety equipment, such as face or dust masks that are specifically designed to filter out microscopic particles.
10. Do not operate this machine while tired or under the influence of drugs, alcohol or any medication.
11. Make certain the switch is in the **OFF** position before connecting the machine to the power supply. Turn off all controls before unplugging.
12. Make certain the machine is properly grounded. Connect to a properly grounded outlet only. See Grounding instructions.
13. Make all machine adjustments or maintenance with the machine unplugged from the power source.
14. Remove adjusting keys and wrenches. Form a habit of checking to see that keys and adjusting wrenches are removed from the machine before turning it on.
15. Keep safety guards in place at all times when the machine is in use. If removed for maintenance purposes, use extreme caution and replace the guards immediately after maintenance is complete.
16. Check damaged parts. Before further use of the machine, a guard or other part that is damaged should be carefully checked to determine that it will operate properly and perform its intended function. Check for alignment of moving parts, binding of moving parts, breakage of parts, mounting and any other conditions that may affect its operation. A guard or other part that is damaged should be properly repaired or replaced.
17. Provide for adequate space surrounding work area and non-glare, overhead lighting.
18. Keep the floor around the machine clean and free of scrap material, oil and grease.
19. Keep visitors a safe distance from the work area. **Keep children away.**
20. Make your workshop child proof with padlocks, master switches or by removing starter keys.
21. Give your work undivided attention. Looking around, carrying on a conversation and "horse-play" are careless acts that can result in serious injury.
22. Keep an ergonomic body position. Maintain a balanced stance at all times so that you do not fall or lean against the chuck or other moving parts. Do not overreach or use excessive force to perform any machine operation.
23. Use the right tool at the correct speed and feed rate. Do not force a tool or attachment to do a job for which it was not designed. The right tool will do the job better and safer.
24. The machine is intended for indoor use. To reduce the risk of electric shock, do not use outdoors or on wet surfaces.
25. Do not handle plug or machine with wet hands.
26. Use recommended accessories; improper accessories may be hazardous.
27. Maintain tools with care. Keep tools sharp and clean for the best and safest performance. Follow instructions for lubricating and changing accessories.
28. Turn off machine and disconnect from power before cleaning. Use a brush or compressed air to remove chips or debris; do not use bare hands.
29. Do not stand on the machine. Serious injury could occur if the machine tips over.
30. Never leave the machine running unattended. Turn the power off and do not leave the machine until it comes to a complete stop.

31. Remove loose items and unnecessary work pieces from the area before starting the machine.

32. Pull the mains plug if the machine is not in use.

33. Make sure the workpiece is securely clamped.

Familiarize yourself with the following safety notices used in this manual:



WARNING: This means that if precautions are not heeded, it may result in serious, or possibly even fatal, injury.



CAUTION: This means that if precautions are not heeded, it may result in minor injury and/or possible machine damage.

SAVE THESE INSTRUCTIONS



WARNING:

These symbols below advise that you follow the correct safety procedures when using this machine.



Read and understand the entire user manual before attempting assembly or machine operation.



Any work piece stock extending the rear end of the headstock must be covered on its entire length. High danger of injury



Always wear approved working outfit
Wear safety goggles.
Wear ear protection.



Do not operate this machine under the influence of drugs, alcohol or medication



Always wear the approved working outfit
Wear safety shoes.
Remove tie, rings, watches, jewellery.
Roll up sleeves above elbows.
Remove all loose clothing and confine long hair



Do not wear gloves while operating this machine



Make all machine adjustments or maintenance with the machine unplugged from the power source.



Connection and repair work on the electrical installation may be carried out by a qualified electrician only.



Never reach into the machine while it is operating or running down.

3.1 Designated use and limitations to use

The machine is designed for turning and drilling machinable metal and plastic materials only.

The workpiece must allow to safely be loaded, supported and clamped.

The machine is intended for indoor use. The protection rating of the electrical installation is IP 54.

To avoid tipping, the machine must be bolted down with four anchor bolts.

If used for other purposes, PROMAC disclaims any real or implied warranty and holds itself harmless from any injury that may result from that use.



WARNING:

The machine is not suitable for machining magnesium...high danger to fire!

Never place your fingers in a position where they could contact any rotating parts or chips.

Check the safe clamping of the work piece before starting the machine.

Don't exceed the clamping range of the chuck.

Work pieces longer than 3 times the chucking diameter need to be supported by the tailstock or a steady rest.

Avoid small chucking diameters at big turning diameters. Avoid short chucking lengths and small chucking contact.

Do not exceed the max speed of the work holding device.

Use the right tool at the correct speed and feed rate. Do not force a tool or attachment to do a job for which it was not designed. The right tool will do the job better and more safely.

Use recommended accessories; improper accessories may be hazardous.

Maintain tools with care. Keep cutting tools sharp and clean for the best and safest performance.

Follow instructions for lubricating and changing accessories.

Do not attempt to adjust or remove tools during operation.

Never stop a rotating chuck or workpiece with your hands.

Choose a small spindle speed when working unbalanced work pieces and for threading and tapping operations.

Any work piece stock extending the rear end of the headstock must be covered on its entire length. High danger of injury!

Long work pieces may need a steady rest support. A long and thin work piece can suddenly bend at high speed rotation.

Never move the tailstock or tailstock quill while the machine is running.

Remove cutting chips with the aid of an appropriate chip hook when the machine is at a standstill only.

Measurements and adjustments may be carried out when the machine is at a standstill only.

Maintenance and repair work may only be carried out after the machine is protected against accidental starting, pull the mains plug.

Remove loose items and unnecessary work pieces from the area before starting the machine.

Rotate workpiece by hand before applying power. Use lowest speed when starting new workpiece.

Tighten all locks before operating.

3.2 Remaining hazards

When using the machine according to regulations some remaining hazards may still exist.

The rotating work piece and chuck can cause injury.

Thrown and hot work pieces and cutting chips can lead to injury.

Chips and noise can be health hazards. Be sure to wear personal protection gear such as safety goggles and ear protection.

The use of incorrect mains supply or a damaged power cord can lead to injuries caused by electricity.

When opening the electrical cabinet, the grid-feeding voltage persists. Therefore pay attention every time you enter it.

4.0 Specifications

Model number PBD-3069
 Stock number..... PBD-3069

Motor and electricals:

Motor type..... Induction motor
 Motor power1.1 kW
 Power supply 1~230V, PE, 50 Hz
 Protection class..... P 54
 Listed load amps 6.4 A
 Machine lamp Halogen lamp 24V, 35 W
 Coolant pump 40 W

Capacities:

Centre height 150 mm
 Swing over bed 300 mm
 Swing over cross slide 170 mm
 Distance between Centres..... 750 mm

Spindle:

Spindle nose mounting short taper mount (1:4 Ø63.51mm, Ø98x3xØ11)
 Spindle bore..... 38 mm
 Spindle taper..... MT5
 Number of spindle speeds 6
 Range of spindle speeds 150 ~ 2000 /min

Tailstock:

Tailstock ram travel 80 mm
 Tailstock taper MT3

Bed and Slides:

Bed width 180 mm
 Cross slide travel 170 mm
 Top slide travel 90 mm
 Tool size max 16x16 mm
 Lead screw pitch 3 mm
 Longitudinal feeds..... (9x) 0.085 /0.13 /0.17 /0.21 /0.25 /0.35 /0.40 /0.50 /0.83 mm/rev
 Metric threads..... (21x) 0.2 ~ 4.0 mm/rev
 Inch threads (21x) 8 ~ 56 TPI

Materials:

Machine Bed..... Cast iron, induction hardened and precision ground
 Headstock, tailstock, slides Cast iron
 Spindle bearings Taper roller bearings, quality level P5

Sound emission in idle ¹ 73.4 dB (LpA)
 Sound emission during cutting ¹ 78.3 dB (LpA)

¹Sound emission measured according to EN ISO 11202, in 1m distance, 1.6m above ground. The specified values are emission levels and are not necessarily to be seen as safe operating levels. As workplace conditions vary, this information is intended to allow the user to make a better estimation of the hazards and risks involved only.

Dimensions and Weights:

Overall dimensions, assembled (W x D x H)..... 1400 x 700 x 700 (1400) mm
 Shipping dimensions (W x D x H) (Separate packing)..... 1550x750x750 & 820x680x430 mm
 Net weight (approximate) 357 kg
 Shipping weight (approximate)..... 402 kg

L = length; W = width; H= height; D= depth

The specifications in this manual were current at time of publication, but because of our policy of continuous improvement, PROMAC reserves the right to change specifications at any time and without prior notice, without incurring obligations.

4.1 Spindle nose mounting:

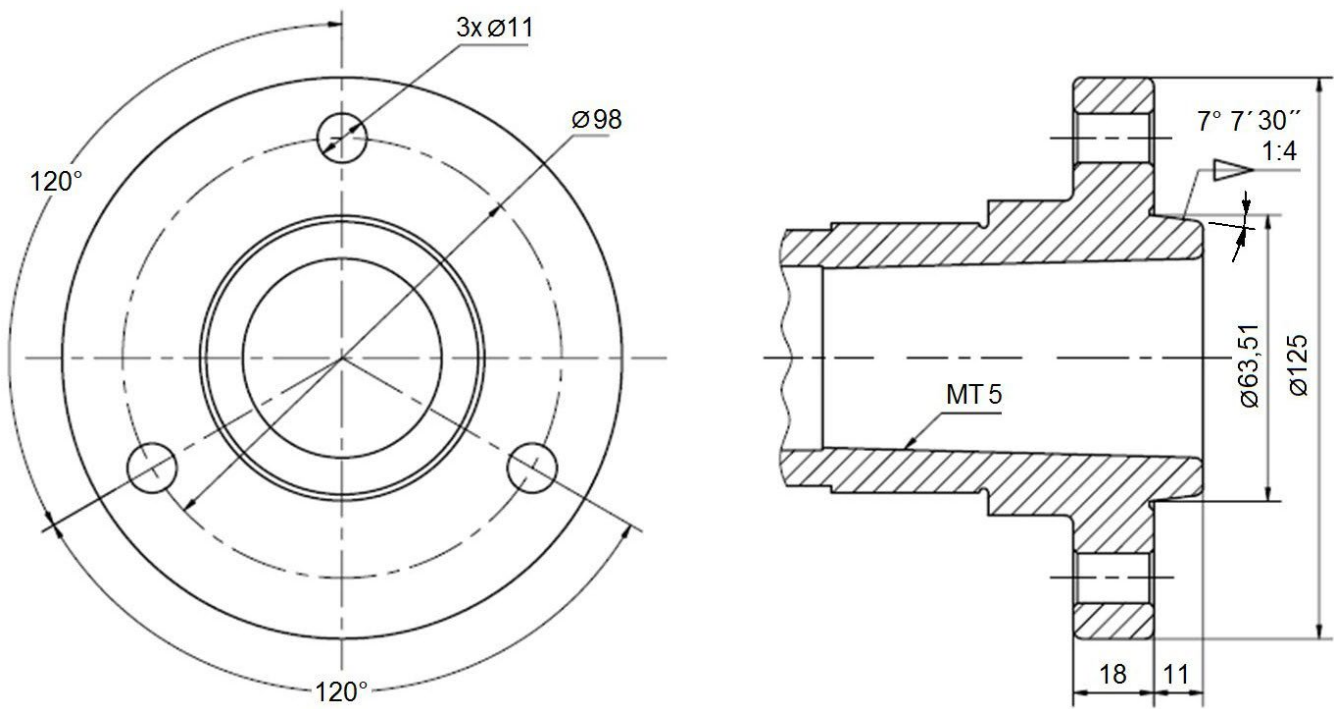


Figure 4-1: Spindle nose mounting

4.2 Anchor bolt hole pattern:

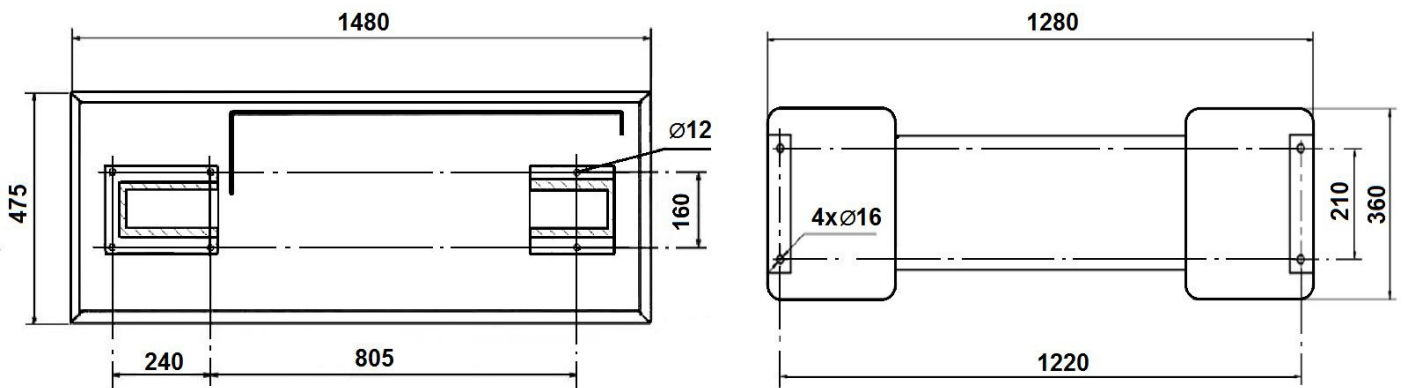


Figure 4-2: Lathe Bed (left) & Stand (right) anchor bolt pattern



WARNING:

To avoid tipping, the machine must be bolted down with four anchor bolts (not provided).

5.0 Machine Description

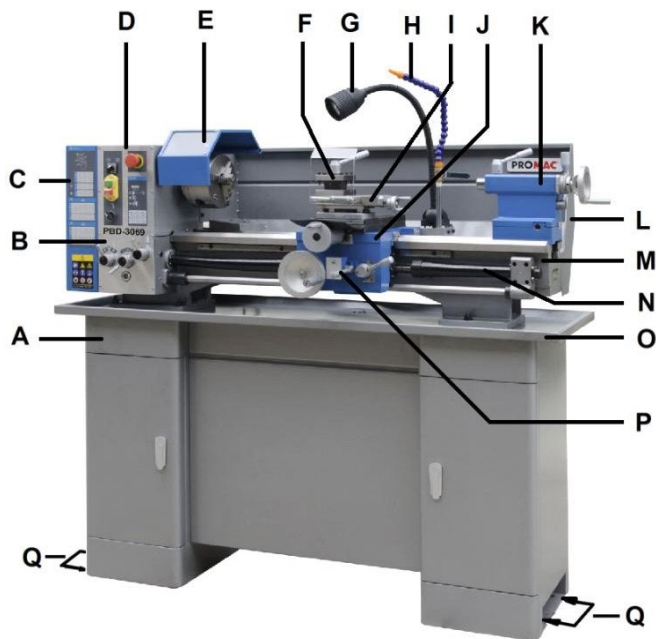


Figure 5-1: Machine description

- A Machine cabinet stand
- B..... Gear box
- C.....Pulley cover
- D Headstock
- E..... Chuck and chuck guard
- F..... Tool post and tool post guard
- G Machine lamp
- H Coolant nozzle
- I..... Top slide
- J Carriage
- K..... Tailstock
- L Splash guard
- M Lathe bed
- N..... Lead screw
- O Chip tray
- P..... Longitudinal feed / Cross feed select lever
- Q.....Anchor bolt holes

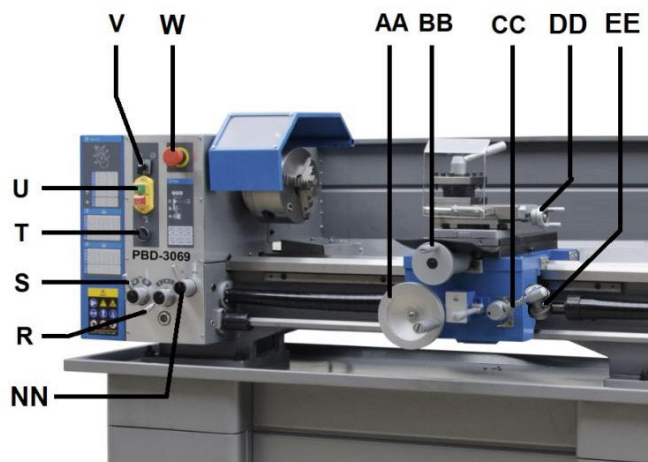


Figure 5-2: Machine description

- RFeed speed select knob
- SFeed forward/ off/ reverse
- T Coolant ON/OFF
- USpindle power ON/OFF
- V Spindle forward/reverse
- WEmergency Stop
- AA Apron hand wheel
- BB Cross slide hand wheel
- CC Half nut lever
- DD Top slide hand wheel
- EEThreading dial
- NN Feeding / Threading select knob

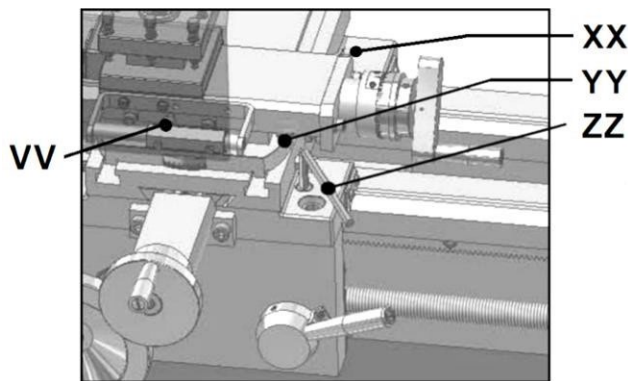


Figure 5-3 Machine description

- VV Top slide lock
- XXCross slide lock
- YY Top slide taper adjustment
- ZZCarriage lock

6.0 Setup and Assembly



WARNING:

Read and understand the entire contents of this manual before attempting assembly or operation. Failure to comply may cause serious injury.

6.1 Unpacking and clean up

Remove all contents from shipping crate and compare parts to the contents list in this manual. If shipping damage or any part shortages are identified, contact your distributor. Do not discard crate or packing material until machine is assembled and running satisfactorily.

Clean all rust protected surfaces with kerosene or a light solvent. Do not use lacquer thinner, paint thinner or gasoline, as these can damage plastic components and painted surfaces.

6.2 Shipping contents

- 1 Machine
- 1 Cabinet stand (Optional, PBD3069-807)
- 1 Coolant facility (Optional, 59500112)
- 1 Machine lamp
- 1 160mm 3-jaw universal chuck (PBD3069-125)
- 1 160mm 4-jaw chuck (Optional, PBD3069-165)
- 1 265mm face plate (Optional, PBD3069-166)
- 1 Chuck guard
- 1 4-way tool post
- 1 Tool post guard
- 1 Set of change gears
- 1 Threading dial
- 1 MT5 fixed centre (PBD3069-564)
- 1 MT3 fixed centre (PBD3069-565)
- 1 MT3 live centre (PBD3069-566)
- 1 Steady rest (PBD3069-714)
- 1 Follow rest (Optional, PBD3069-715)
- 1 Operating tools in tool box
- 1 Lead screw guard
- 1 Oil can
- 1 Operating instructions and parts manual

6.3 Assembly

The machine comes completely assembled.
Install the drive belt (V-belt).
Inspect that all fasteners are tight.

6.4 Initial lubrication

The machine must be serviced at all lubrication points before it is placed into service (see chapter 11.1 for lubrication).

6.5 Installation

Unbolt the lathe from the shipping crate bottom.

Use heavy duty fibre belt for lifting the machine off the pallet.



Warning:

The machine is heavy (402kg)!

Assure the sufficient load capacity and proper condition of your lifting devices.

Never step underneath suspended loads.

To avoid tipping, the machine must be bolted down with four anchor bolts (not provided).

To avoid twisting the bed, make sure the setup surface is absolutely flat and level.

Loosen anchor bolts, shim and tighten bolts if needed.

The machine must be level to be accurate!

7.0 Electrical Connections



WARNING:

All electrical connections must be done by a qualified electrician in compliance with all local codes and ordinances. Failure to comply may result in serious injury.

The PBD-3069 Metal Lathes are rated at 1~230V, PE, 50Hz power supply. The machines come with a plug designed for use on a circuit with a *grounded outlet*.

Mains connection and any extension cords and plugs used must comply with the information on the machine license plate.

The mains connection must have a 16A surge-proof fuse.

Only use extension cords marked H07RN-F, with wires 1,5mm² or more.

The total length of cord may not exceed 18 Meter

Power cords and plugs must be free from defects.

Connections and repairs to the electrical equipment may only be carried out by qualified electricians.

The machine is equipped with 2.3m power cord and plug.

Before connecting to power source, be sure main switch is in off position.

7.1 Grounding instructions

This tool must be grounded. In the event of a malfunction or breakdown, grounding provides a path of least resistance for electric current to reduce the risk of electric shock. This tool is equipped with an electric cord having an equipment-grounding conductor and a grounding plug. The plug must be inserted into an appropriate outlet that is properly installed and grounded in accordance with all local codes and ordinances.



WARNING:

Improper connection of the equipment-grounding conductor can result in a risk of electric shock. Check with a qualified electrician or service person if you are in doubt as to whether

the outlet is properly grounded. Do not modify the plug provided with the tool.

The green/yellow conductor is the equipment-grounding conductor. If repair or replacement of the electric cord or plug is necessary, do not connect the equipment-grounding conductor to a live terminal.

Use only 3-wire extension cords with grounding plugs.

Repair or replace damaged or worn cord immediately.

7.2 Extension cords

The use of extension cords is discouraged; try to position machines near the power source. If an extension cord is necessary, make sure it is in good condition.

An undersized cord will cause a drop in line voltage resulting in loss of power and overheating.

Only use extension cords marked H07RN-F, with wires 1,5mm² or more.

The total length of cord may not exceed 18 Meter

Extension cords and plugs must be free from defects.

8.0 Adjustments

8.1 Changing spindle speed

The speeds of the lathe are controlled by the position of the belt on the pulleys (Fig 8-1).

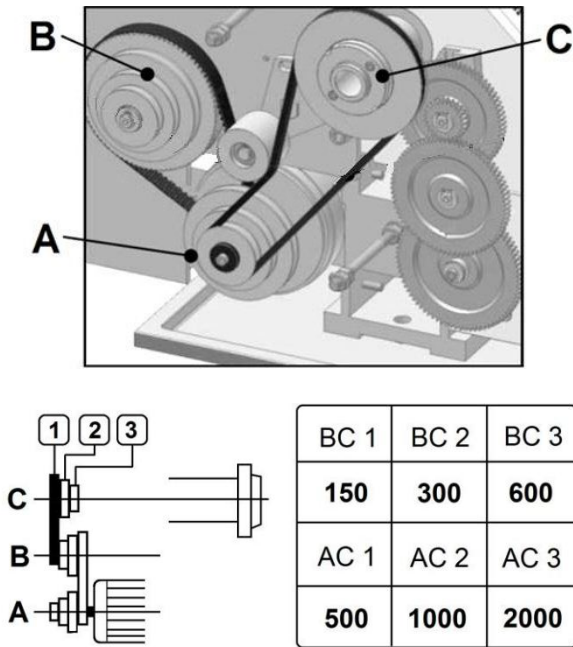


Figure 8-1: Spindle speed setup

Remove the pulley cover (C, Fig 5-1) to change the belt position.

Reinstall the pulley cover.

8.2 Change gear setup

Remove the pulley cover.

The rotational speed of the lead screw, and hence the rate of feed of the cutting tool, is determined by the gear configuration and by the feed speed select lever (R, Fig 5-2).

Assemble the gears with desired setup (Fig 8-2)

Z1	75	75	75
Z2	45	45	45
Z3	90	90	70
Z4	20	30	40
L	85	85	90

I	0.085	0.128	0.208
II	0.170	0.256	0.416
III	0.340	0.512	0.832

I	0.010	0.016	0.025
II	0.020	0.032	0.050
III	0.040	0.064	0.100

Z1	-	-	-	-	-	-
Z2	70	70	60	60	65	50
Z3	80	80	80	80	80	80
Z4	20	30	50	50	60	70
L	75	75	75	60	60	45

I	0.20	0.30	0.50	0.625	0.75	0.875	1.00
II	0.40	0.60	1.00	1.25	1.50	1.75	2.00
III	0.80	1.20	2.00	2.50	3.00	3.50	4.00

Z1	-	-	-	-	-	-
Z2	60	50	65	70	60	40
Z3	70	85	75	50	80	85
Z4	60	60	50	45	50	60
L	65	60	60	85	65	80

I	8.0	9.0	9.5	10	11	12	14
II	16	18	19	20	22	24	28
III	32	36	38	40	44	36	56

Figure 8-2: Change gear setup

Adjust gears to mesh with upper and lower gear.

Placing ordinary paper in between gears helps to adjust for correct gear spacing (... remove the paper afterwards!).

Reinstall the pulley cover.

8.3 Taper turning with tailstock

Mount the work piece fitted with the drive dog between centres. The drive dog is driven by the face plate.

Lubricate the tailstock centre with grease to prevent tip from overheating.

Figure 8-3: Taper turning between centres

To turn a taper, offset the tailstock, loosen the locking screws (Z, Fig 8-3) and use screws (Y) to adjust.

After taper turning, the tailstock must be returned to its original position. Turn a test piece and adjust until the machine turns a perfect cylinder.

8.4 Taper turning with top slide

By angling the top slide, tapers may be turned.

Loosen two hex nuts (A, Fig 8-4) and rotate the top slide according to the graduated scale (B).

Figure 8-4: Taper turning with top slide

8.5 Three jaw universal chuck

With this universal chuck, cylindrical, triangular and hexagonal stock may be clamped (Fig 8-5).

Figure 8-5: Three jaw universal chuck

To hold big diameter stock, a set of OD chuck jaws is supplied. The jaws need to be inserted to the chuck in the correct order. Use Molykote Paste G (or adequate grease) to lubricate the jaws.

8.6 Four jaw independent chuck (Optional)

This chuck has four independently adjustable chuck jaws (Fig 8-6).

These permit the holding of square and asymmetrical pieces and enables accurate concentric set-up of cylindrical pieces.



Figure 8-6: Four jaw independent chuck

8.7 Live centre

The live centre (Fig 8-7) is mounted in ball bearings. Its use is highly recommended for speeds above 500 RPM.

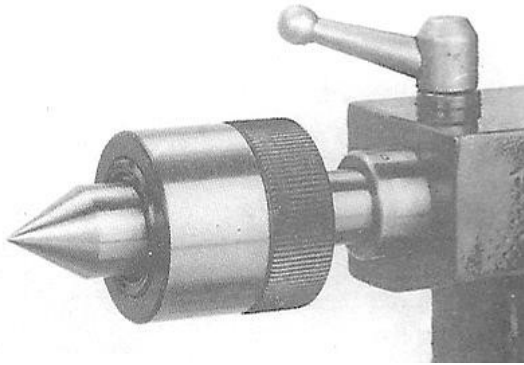


Figure 8-7: Live centre

To eject the live centre, fully retract the tailstock quill.

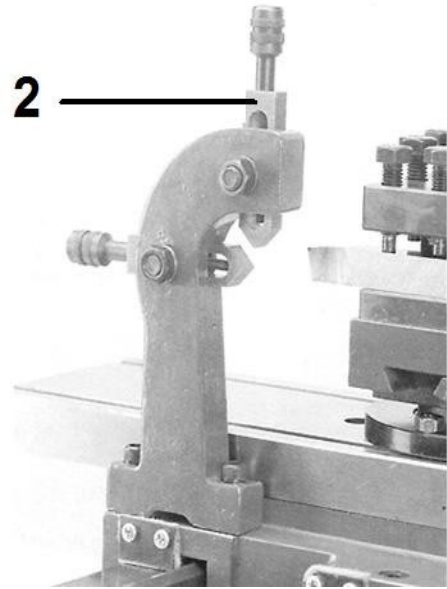


Figure 8-9: Follow rest

8.8 Steady rest ,and follow rest (Optional)

The rests prevent flexing of long and thin work pieces under pressure from the tool.

The steady rest (Fig 8-8) serves as a support for longer shafts and ensures a safe and chatter free operation.

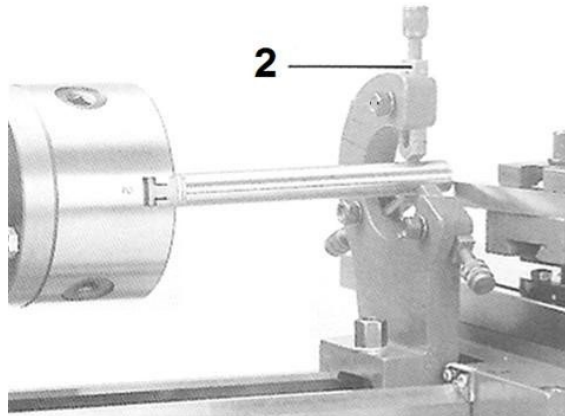


Figure 8-8: Steady rest

The follow rest (Fig 8-9) is mounted on the carriage and follows the movement of the tool.

Note:

Set the fingers (2) snug but not overly tight.

Lubricate the fingers to prevent premature wear.

9.0 Operating Controls

Refer to Figure 9-1:

- R Feed speed select lever (I, II, III)
- S Feed forward/off/reverse
- T Coolant ON/OFF
- U Spindle power ON/OFF
- V Spindle forward/reverse
- W Emergency Stop
- NN Feed shaft / Lead screw, select lever

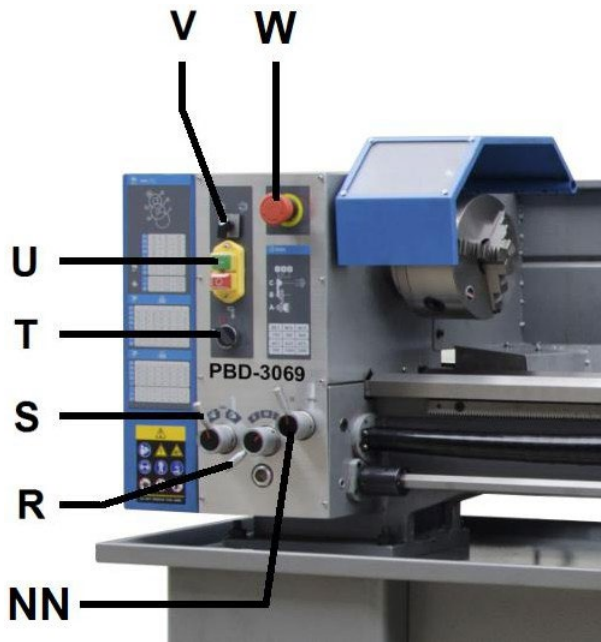


Figure 9-1: Operating Controls

10.0 Machine Operation

10.1 Cutting execution

Before starting the machine check the proper chucking.

Close the chuck guard and pulley cover before you start the machine.

Select running direction, forward or reverse (V, Fig 9-1).

You can start the machine with the green ON-button (U). The red OFF-button stops the machine.

The emergency stop button (W) stops all machine functions.

Turn emergency stop button clockwise to reset.

The work lamp (G, Fig 5-1) operates independently; ON/OFF switch is on top of lamp housing.

Unplug the machine if not in use.

10.2 Chucking

Do not exceed the max speed of the work holding device.

Jaw teeth and scroll must always be fully engaged. Otherwise chuck jaws may break and fly off in rotation (Fig 10-1).

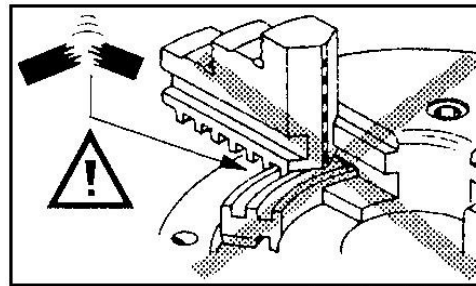


Figure 10-1: Poor jaw engagements

Avoid long workpiece extensions. Parts may bend (Fig 10-2) or fly off (Fig 10-3). Use tailstock or rest to support.

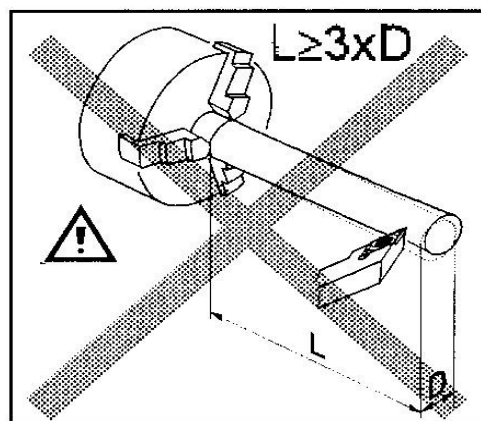


Figure 10-2: Workpiece too long

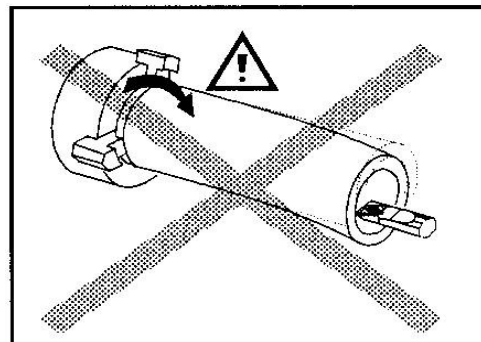


Figure 10-3: Workpiece too long

Avoid short clamping contact (A, Fig 10-4) or clamping on a minor diameter (B). Face locate workpiece for added support.

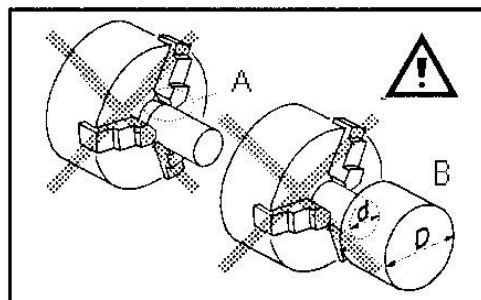


Figure 10-4: Poor clamping

10.3 Cutting Tool Setup

The cutting angle is correct when the cutting edge is in line with the centre axis of the work piece. Use the point of the tailstock centre as a gauge and shims under the tool to obtain the correct centre height (Fig 10-5).

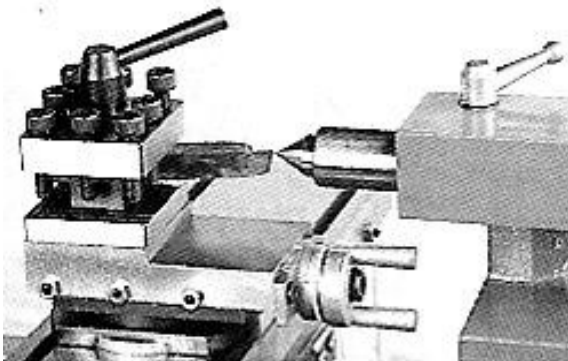


Figure 10-5: Cutting tool setup

Use a minimum of two screws to clamp the cutting tool.
Avoid large tool extensions.

10.4 Recommended spindle speeds

ATTENTION:

Generally speaking, the smaller the cut diameter, the greater the RPM required. Soft materials require higher speeds; hard metals slower speeds.

Metal is usually machined with coolant or cutting oil applied.

Recommended spindle speeds for cutting 10mm diameter, with HSS tools (High speed steel tools):

Plastic	2000 /min
Aluminium	2000 /min
Brass	1000 /min
Cast iron	1000 /min
Mild steel.....	800 /min
High carbon steel.....	600 /min
Stainless steel	300 /min

For carbide tools (HM), 5 times higher speeds can be chosen.

For example:

Turning mild steel at a diameter of 20mm allows	
With HSS tool	400 /min
With carbide tool.....	2000 /min

10.5 Manual turning

Apron travel (AA, Fig 10-6), cross travel (BB) and top slide travel (DD) can be operated for longitudinal and cross feeding.

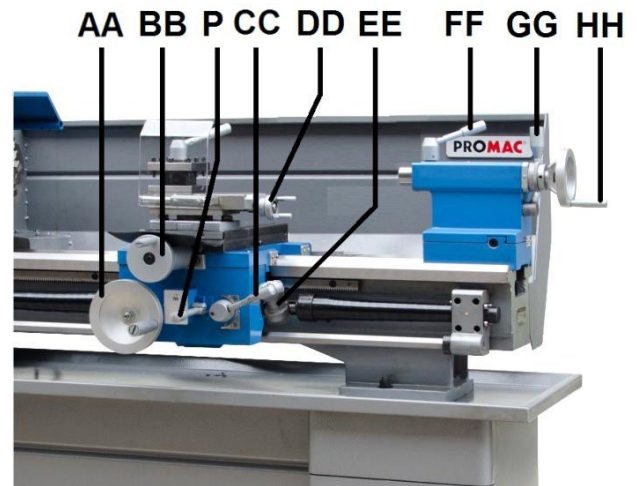


Figure 10-6: Machine controls

The correct feed depends on the material to be cut, the cutting operation, the type of tool, the rigidity of the work piece chucking, the depth of cut and the desired surface quality.

10.6 Turning with auto feed

Select "Feeding" mode on gear box (NN, Fig 9-1).

Select feed forward or reverse direction (S).

Start the auto feed with lever (P, Fig 10-7):

- For longitudinal feed, move lever right and up.....



- For cross feed, move lever left and down

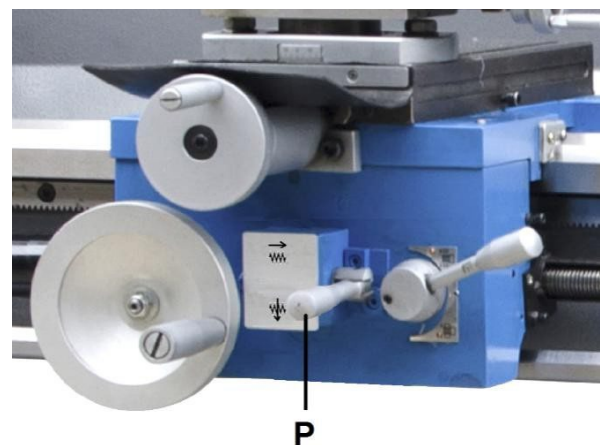


Figure 10-7: Auto feed

Three longitudinal and three cross feed rates are readily available by rotating the feed select knob (R, Fig 9-1).

Example for longitudinal turning:

Operation	feed/rev	feed select knob
Stock removal	0,34mm	III
Finishing cut	0.17mm	II
Micro finishing cut	0.085mm	I

NOTE: Additional feed rates are available with different change gear setup (Fig 10-8).

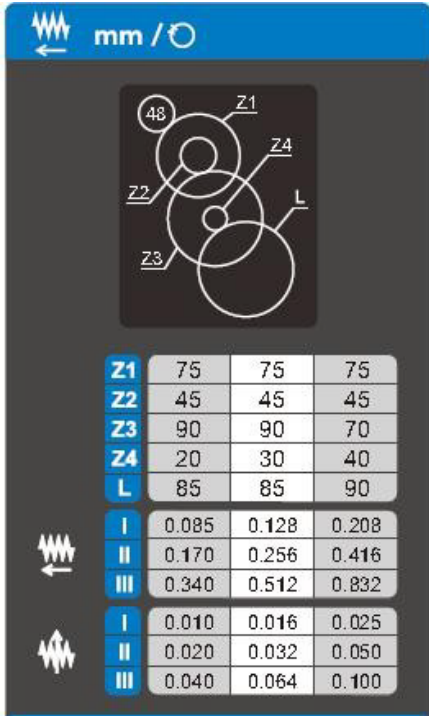


Figure 10-8: Available feed rates

The correct feed depends on the material to be cut, the cutting operation, the type of tool, the rigidity of the work piece chucking, the depth of cut and the desired surface quality.

When roughing big diameters reduce the depth of cut!

10.7 Thread cutting

Threading is performed in multiple passes with a threading tool.

Each depth of cut should be about 0,2mm and become less for the finishing passes.

A) Cut inch and metric threads:

Set the machine up for the desired threading pitch (see chapter 8.2).

Select the lowest possible spindle speed.

Engage the halve nut (CC, Fig 10-9).

NOTE: The halve nut must stay engaged during the entire threading process.

- Set the tool up for the threading pass.
- Start the motor.

- When the tool approaches the end of cut, stop the motor and at the same time back the tool out, so that it clears the thread diameter.

- Start the motor in reverse direction, let the cutting tool travel back to the starting point.

Repeat these steps until you have obtained the desired results.

B) Cut metric threads with threading dial

On most metric threads the threading dial (EE, Fig 10-9) can be used.

The halve nut can be opened at the end of cut, rather than the motor being stopped and reversed.

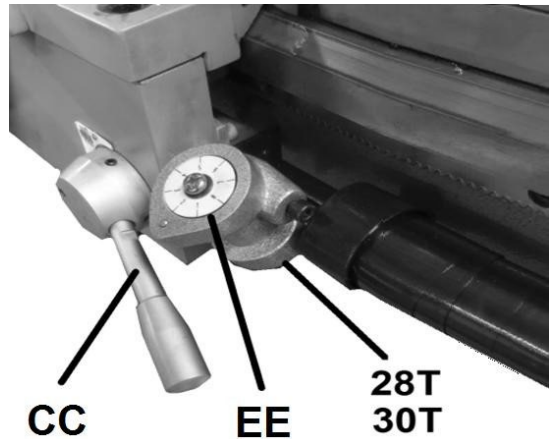


Figure 10-9: Threading Dial

Select threading dial gear 28T or 30T

The halve nut may only be engaged at the corresponding graduation match on the threading dial (Fig 10-10).

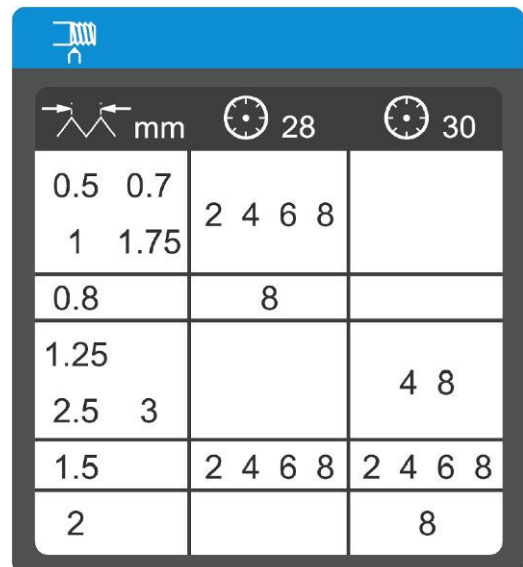


Figure 10-10: Threading dial setup

Note:

For thread pitches of 0,2/0,3/0,5/0,6/0,75/ 1,0/ 1,5/3 mm the half nut can be engaged at any point. (lead screw pitch = 3 mm = can be divided by thread pitch).

10.8 Drilling operation

Use a drill chuck with MT3 arbor (option) to clamp centre drills and twisted drills in the tailstock (Fig 10-11)

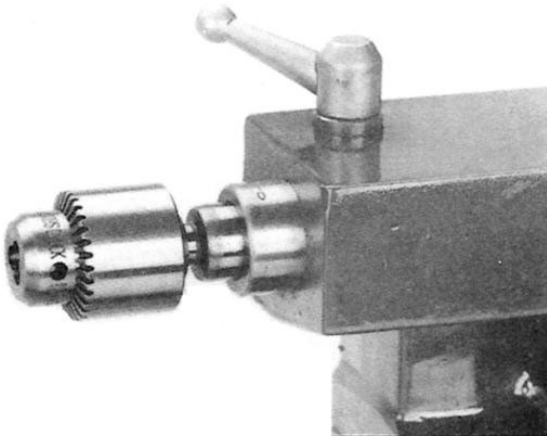


Figure 10-11: Drilling operation

For recommended speeds refer to section 10.4

To eject the drill chuck, fully retract the tailstock quill.

11.0 User-Maintenance



WARNING:

Before any intervention on the machine, disconnect it from electrical supply, pull the mains plug. Failure to comply may cause serious injury.

An important security factor is the cleaning of the machine, of bed, carriage and slides, of the floor and the surrounding places.

Loose objects could come into contact with the moving chuck or workpiece, creating hazards.

Empty the chip tray regularly.

Replace the coolant regularly, follow manufacturer's advice.

Check that bolts are tight and electrical cords are in good condition. If an electrical cord is worn, cut, or damaged in any way, have it replaced immediately.

11.1 Lubrication

Spindle bearings are pre-lubricated and sealed, and require no further lubrication.

A) Weekly apply oil:

DIN 51502 CG ISO VG 68

(e.g. BP Maccurat 68, Castrol Magna BD 68, Mobil Vectra 2)

- 1...oil balls on change gear hubs
- 2...oil bed ways lightly
- 3...oil tailstock quill over entire length
- 4...oil lead screw on entire length
- 5...oil ball on lead screw bracket
- 6...oil balls on top slide
- 7...oil balls on tailstock
- 8...oil balls on carriage
- 9...oil balls on apron

B) Monthly apply grease:

DIN 51807-1 non slinging grease

(e.g. BP L2, Mobilgrease Special).

- 10...grease teeth of change gears
- 11...grease rack over entire length

Gear box oil:

DIN 51517-2 CL ISO VG 68

(e.g. BP Energol HLP 68, Mobil DTE Oil Heavy Medium)

Oil must be up to indicator mark in oil sight glass (L, Fig 11-1).

In case of need, fill up with oil by removing plug (M).

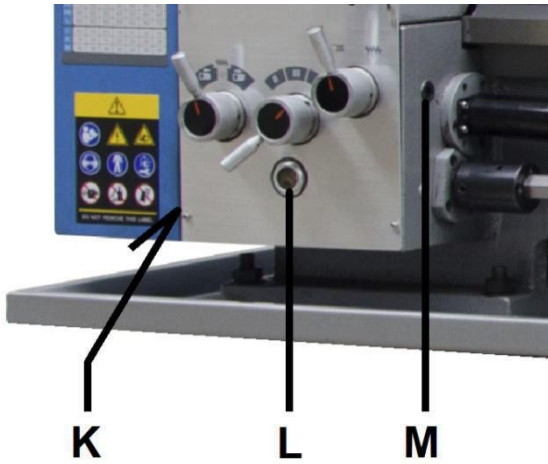


Figure 11-1: Gearbox oil fill-up

Change the oil in the gearbox every 1000 operating hours.
 Drain oil by removing drain plug (K).

11.2 Readjustments

A) Bearing adjustment:

The main spindle taper roller bearings are adjusted at the factory.
 If end play becomes evident after considerable use the bearings may be adjusted.

Loosen two hex socket cap screws (A, Fig 11-2). Tighten nut (B) until end play is taken up.

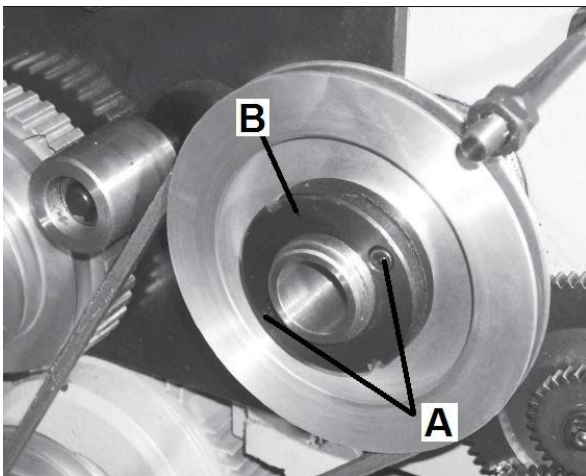


Figure 11-2: Bearing adjustment

Tighten nut carefully, the spindle should still revolve freely.
 Excessive preloading will damage the bearings.

Tighten the screws.

B) Cross slide and Top slide adjustment:

Each slide is fitted with a gib (C, Fig 11-3) and can be adjusted with screws (E) fitted with lock nuts (D).

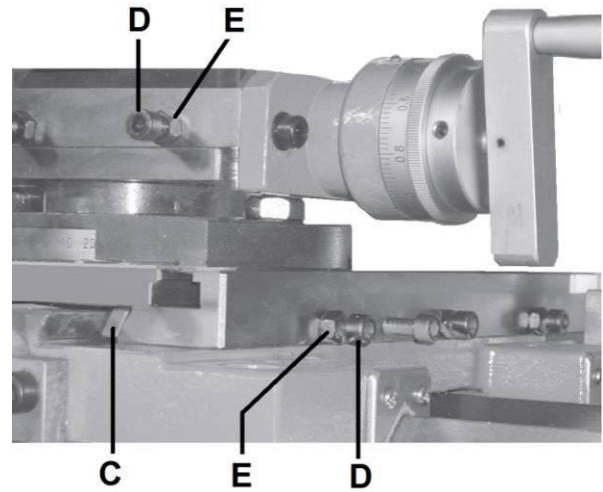


Figure 11-3: Slide adjustment

Adjust until slides move freely without play.

C) Cross slide spindle adjustment

Remove the top slide and adjust the grub screw (F, Fig 11-4) until the backlash between the spindle and the nut is eliminated.

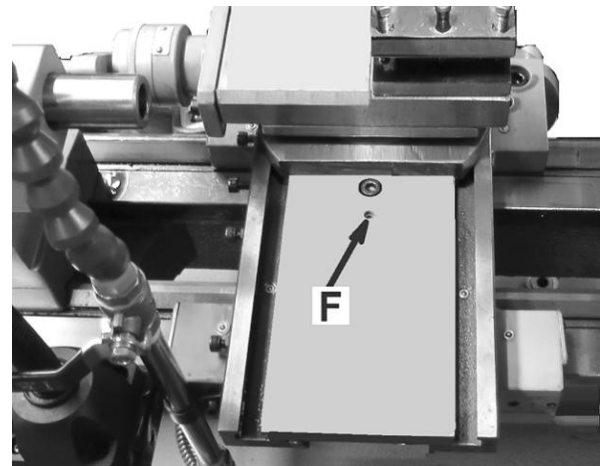


Figure 11-4: Cross slide spindle adjustment

12.0 Troubleshooting

Symptom	Possible Cause	Correction *
Lathe will not start.	Lathe unplugged from wall, or motor.	Check all plug connections.
	Fuse blown, or circuit breaker tripped.	Replace fuse, or reset circuit breaker.
	Cord damaged.	Replace cord.
	Chuck guard not closed.	Close chuck guard.
	Pulley cover removed	Install pulley cover
Lathe does not come up to speed.	Extension cord too light or too long.	Replace with adequate size and length cord.
	Low current.	Contact a qualified electrician.
Lathe vibrates excessively.	Base on uneven surface.	Locate lathe on even floor.
	Lathe not bolted to the floor	Bolt machine to the floor
	Unbalanced workpiece	Reduce speed
	Workpiece deflection	Improve chucking length or diameter, support on tailstock end
	Tool deflection	Reduce tool length
	Slide backlash	Adjust slides
	Slides running dry	Lubricate with oil
	Dull tool tip	Re-sharpen or change tool
	Chip load too high	Reduce depth of cut or feed
Noisy operation	Dry change gear hubs.	Lubricate with oil.
	Dry change gears	Lubricate with grease.
Tool tip burns	Cutting speed too high	Reduce spindle speed
	Dull tool tip.	Re-sharpen or change tool
	Dry cutting.	Use coolant.
	Feeding too slowly.	Increase feed rate.
Machine turns a taper.	Tailstock alignment is offset.	Align tailstock position.
	Machine bed is twisted.	Stand supporting surface must be flat. Shim if needed
	Workpiece deflection.	Reduce depth of cut or feed
Drill chuck or arbor does not stay in place.	Dirt, grease, etc. on arbor, chuck, or tailstock quill	Clean all mating surfaces thoroughly with a cleaner-degreaser.

* **WARNING:** Some corrections may require a qualified electrician.

Table 1

13.0 Environmental Protection

Protect the environment.

Dispose all packaging material in an environmental friendly manner.

Dispose coolant in an environmentally friendly manner.

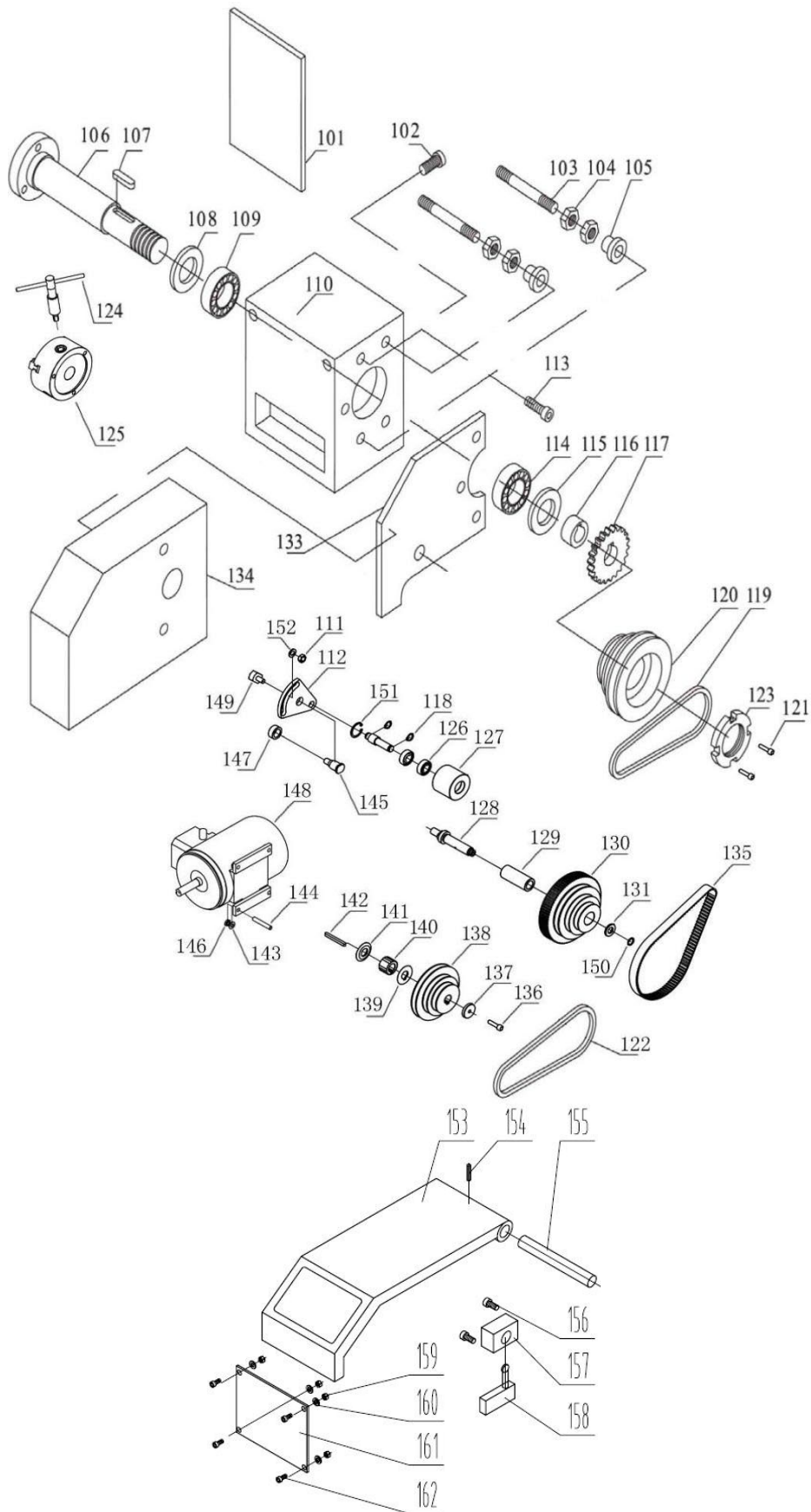
Your appliance contains valuable materials which can be recovered or recycled. Please leave it at a specialized institution.

14.0 Available Accessories

Refer to the PROMAC price list.

15.0 Replacement Parts

PBD-3069 Assembly Breakdown -1



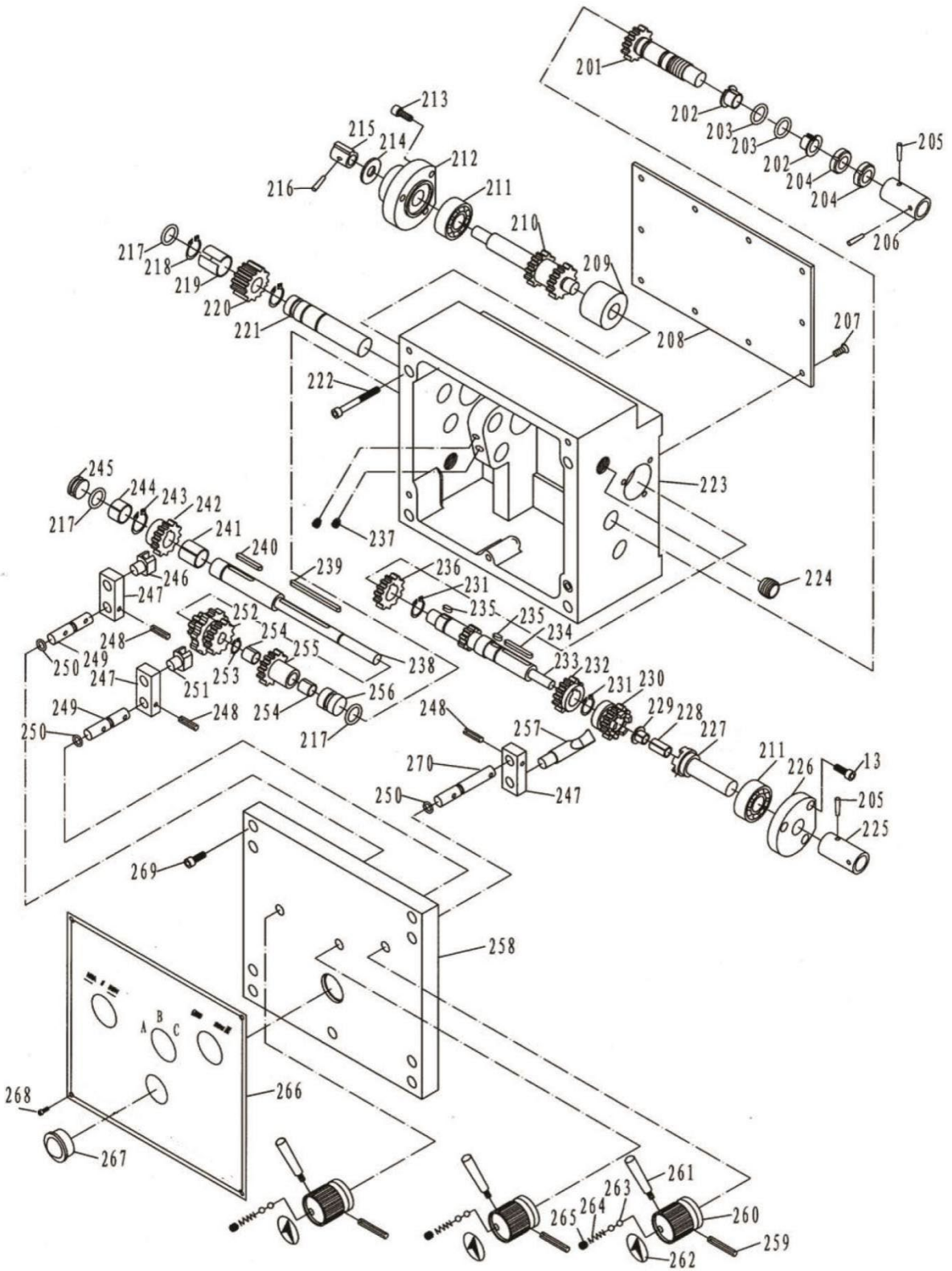
PBD-3069 Parts List for Breakdown -1

Index No.	Part No.	Description	Size	Qty.
101.....	PBD3069-1-01.....	LABEL.....		1
102.....	PBD3069-1.....	SOCKET HD SCREW.....	DIN912 Φ 4x10.....	6
103.....	PBD3069-1-03.....	BOLT.....		2
104.....	PBD3069-2.....	NUT.....	DIN439-M10.....	4
105.....	PBD3069-3.....	KNURL NUT.....	M10.....	2
106.....	PBD3069-1-06.....	SPINDLE.....		1
107.....	PBD3069-4.....	KEY.....	DIN 6885-8x45.....	1
108.....	PBD3069-1-08.....	GASKET.....		1
109.....	TRB-30212.....	BEARING.....	30212.....	1
110.....	PBD3069-1-10.....	HEADSTOCK.....		1
111.....	PBD3069-5.....	HEXAGON NUT.....	DIN439 - M8.....	1
112.....	PBD3069-1-12.....	ECCENTRIC DISK IDLER.....		1
113.....	PBD3069-6.....	SOCKET HD SCREW.....	DIN912 M8x25.....	3
114.....	TRB-32211.....	BEARING.....	32211.....	1
115.....	PBD3069-1-15.....	GASKET.....		1
116.....	PBD3069-1-16.....	BUSH.....		1
117.....	PBD3069-1-17.....	GEAR.....		1
118.....	PBD3069-7.....	CIRCLIP.....	DIN 471-12x 1.....	2
119.....	PBD3069-1-19.....	GATES BELT.....	O-889.....	1
120.....	PBD3069-1-20.....	SPINDLE PULLEY.....		1
121.....	PBD3069-8.....	SOCKET HD SCREW.....	M5x12.....	2
122.....	PBD3069-1-22.....	GATES BELT.....	O-710.....	1
123.....	PBD3069-1-23.....	NUT.....		1
124.....	PBD3069-1-24.....	CHUCK WRENCH.....		1
125.....	PBD3069-125.....	3-JAW CHUCK 160mm.....	K11-160.....	1
.....	PBD3069-165.....	4-JAW CHUCK 160mm.....	not shown.....	1
.....	PBD3069-166.....	FACE PLATE 265mm.....	not shown.....	1
126.....	BB-6001.....	BEARING.....	6001.....	2
127.....	PBD3069-1-27.....	IDLER.....		1
128.....	PBD3069-1-28.....	SHAFT.....		1
129.....	PBD3069-1-29.....	CASE.....		1
130.....	PBD3069-1-30.....	TOOTHED BELT DISK.....		1
131.....	PBD3069-9.....	DISK FOR TOOTHED BELT DISK.....		1
133.....	PBD3069-1-33.....	BRACKET PLATE.....		1
134.....	PBD3069-1-34.....	BELT COVER.....		1
135.....	PBD3069-1-35.....	TOOTHED BELT.....	255L075.....	1
136.....	PBD3069-10.....	SOCKET HEAD SCREW.....	GB 70-85 - M6x25.....	1
137.....	PBD3069-11.....	FIXING DISC.....		1
138.....	PBD3069-1-38.....	MOTOR PULLEY.....		1
139.....	PBD3069-1-39.....	FLANGED WASHER IN FRONT.....		1
140.....	PBD3069-1-40.....	TOOTHED BELT DISK.....		1
141.....	PBD3069-1-41.....	FLANGED WASHER IN THE BACK.....		1
142.....	PBD3069-12.....	KEY.....	DIN 6885-A6x6x50.....	1
143.....	PBD3069-13.....	WASHER.....	DIN 125 - A8.....	1
144.....	PBD3069-1-144.....	SCREW.....		4
145.....	PBD3069-1-45.....	BOLT.....		1
146.....	PBD3069-15.....	HEX NUT.....	ISO 4032 M8.....	4
147.....	PBD3069-1-47.....	SPACER.....		1
148.....	PBD3069-1-48.....	MOTOR (M1).....	1.1KW.....	1
149.....	PBD3069-1-49.....	CLAMPING PIECE.....		1
150.....	PBD3069-16.....	CIRCLIP.....	DIN 471 - 12x1.....	1
151.....	PBD3069-17.....	CIRCLIP.....	DIN 471 - 28x1. 2.....	1
152.....	PBD3069-18.....	WASHER.....	DIN 125 - A8.....	1

PBD-3069 Parts List for Breakdown -1

Index No.	Part No.	Description	Size	Qty.
153.....	PBD3069-153.....	CHUCK GUARD		1
154.....	GB87986-3-20.....	ROLL PIN.....	3 x 20 mm	1
155.....	PBD3069-155.....	SHAFT		1
156.....	GB7085-5-12.....	SOCKET HEAD SCREW.....	M5 x 12 mm	2
157.....	PBD3069-157.....	BRACKET		1
158.....	PBD1830V-151.....	MICRO SWITCH (SQ2)		1
159.....	GB617286-4.....	HEX NUT (THIN).....	M4	4
160.....	GB97185-4.....	WASHER.....	4	4
161.....	PBD3069-161.....	ARCRYLIC GLASS.....		1
162.....	GB7085-4-10.....	SOCKET HEAD SCREW.....	M4 x 10 mm	4

PBD-3069 Assembly Breakdown - 2



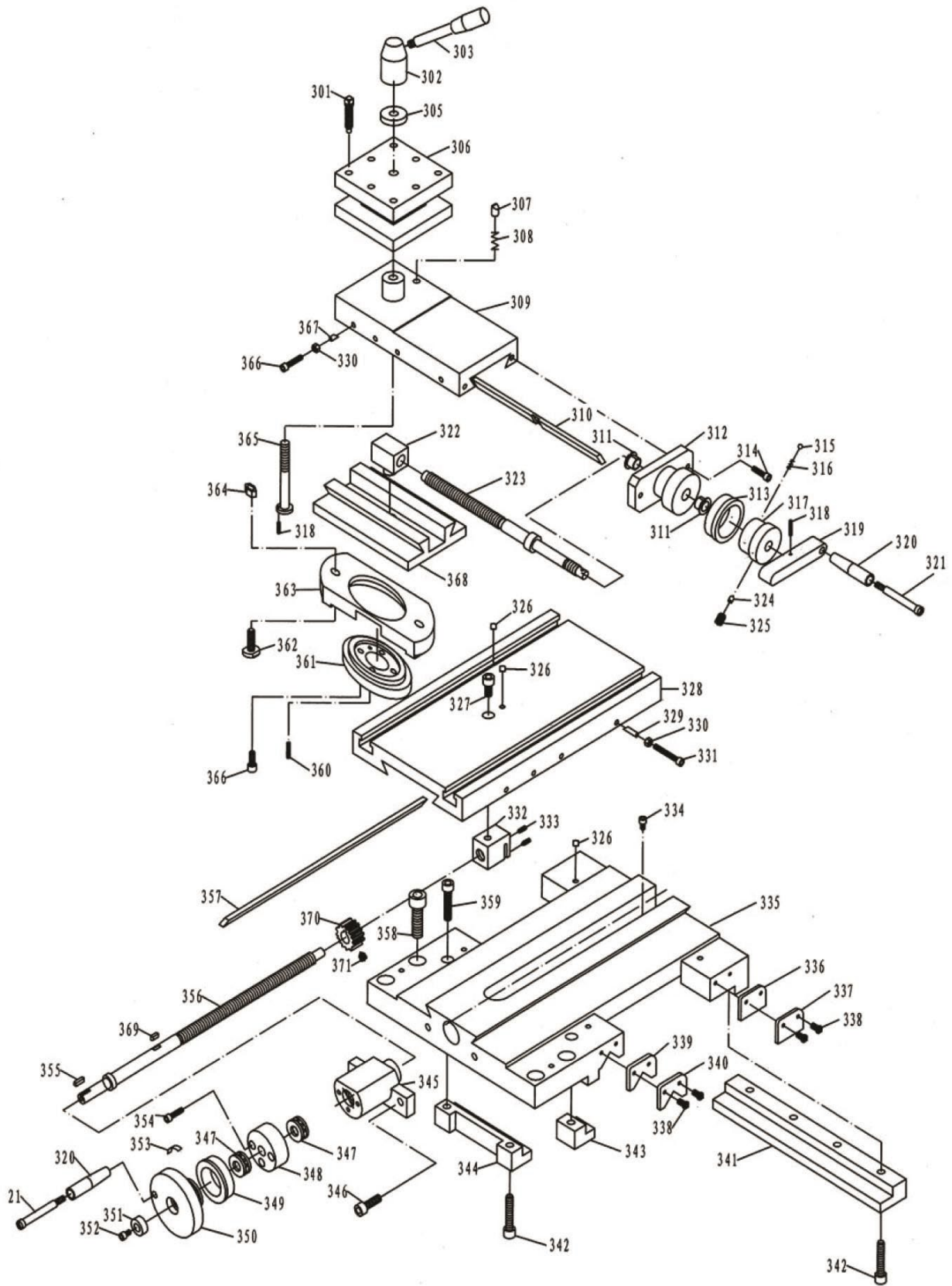
PBD-3069 Parts List for Breakdown -2

Index No.	Part No.	Description	Size	Qty.
201.....	PBD3069-2-01.....	GEAR SHAFT		1
202.....	PBD3069-2-02.....	BEARING.....	16170	2
203.....	PBD3069-19.....	O-RING.....	18001400	2
204.....	PBD3069-2-04.....	NUT DIN 1804.....	M16×1.5	2
205.....	PBD3069-20.....	PIN DIN 1481.....	Φ3×22	2
206.....	PBD3069-2-06.....	COLLAR.....		1
207.....	PBD3069-21.....	SOCKET HD SCREW.....	DIN912M5×8.....	10
208.....	PBD3069-2-08.....	COVER		1
209.....	PBD3069-2-09.....	COLLAR		1
210.....	PBD3069-2-10.....	GEAR SHAFT		1
211.....	BB-6202.....	BEARING.....	6202	2
212.....	PBD3069-2-12.....	LEFT PLUG		1
213.....	PBD3069-22.....	SOCKET HD SCREW.....	DIN 912 M5X12.....	6
214.....	PBD3069-23.....	WASHER.....	Φ10	1
215.....	PBD3069-2-15.....	KEY.....		1
216.....	PBD3069-24.....	PIN.....	DIN 1481 Φ4×14	1
217.....	PBD3069-25.....	O-RING.....	18001500	3
218.....	PBD3069-26.....	SNAP RING.....	Φ18	2
219.....	PBD3069-2-19.....	BEARING.....	1815	1
220.....	PBD3069-2-20.....	GEAR.....		1
221.....	PBD3069-2-21.....	SHAFT		1
222.....	PBD3069-27.....	SOCKET HD SCREW.....	M6×50	4
223.....	PBD3069-2-23.....	GEARBOX.....		1
224.....	PBD3069-2-24.....	SET SCREW.....	M16×1.5×12	2
225.....	PBD3069-2-25.....	COLLAR.....		1
226.....	PBD3069-2-26.....	RIGHT PLUG.....		1
227.....	PBD3069-2-27.....	SHAFT		1
228.....	PBD3069-2-28.....	BEARING.....	815	1
229.....	PBD3069-2-29.....	BEARING.....	8075	1
230.....	PBD3069-2-30.....	GEAR.....		1
231.....	PBD3069-28.....	SNAP RING.....	Φ15	2
232.....	PBD3069-2-32.....	GEAR.....		1
233.....	PBD3069-2-33.....	SHAFT		1
234.....	PBD3069-29.....	KEY DIN 6885.....	4×25	1
235.....	PBD3069-30.....	KEY DIN 6885.....	4×8	2
236.....	PBD3069-2-36.....	GEAR.....		1
237.....	PBD3069-31.....	SET SCREW.....	ISO4028-M6X10	2
238.....	PBD3069-2-38.....	SHAFT		1
239.....	PBD3069-32.....	KEY DIN 6885.....	4×50	1
240.....	PBD3069-33.....	KEY DIN 6885.....	4×20	1
241.....	PBD3069-2-41.....	BEARING.....	1615	1
242.....	PBD3069-2-42.....	GEAR.....		1
243.....	PBD3069-34.....	SNAP RING.....	Φ16	1
244.....	PBD3069-2-44.....	BEARING.....	1610	1
245.....	PBD3069-35.....	LEFT PLUG		1
246.....	PBD3069-2-46.....	FORK.....		1
247.....	PBD3069-2-47.....	BRACKET.....		3
248.....	PBD3069-36.....	PIN.....	DIN 1481 Φ3×20	3
249.....	PBD3069-2-49.....	SHAFT		2

PBD-3069 Parts List for Breakdown -2

Index No.	Part No.	Description	Size	Qty.
250.....	PBD3069-37.....	O-RING.....	1800690.....	3
251.....	PBD3069-2-51.....	FORK.....		1
252.....	PBD3069-2-52.....	GEAR.....		1
253.....	PBD3069-38.....	SNAP RING.....	Φ10.....	1
254.....	PBD3069-2-54.....	BEARING.....	1010.....	2
255.....	PBD3069-2-55.....	GEAR.....		1
256.....	PBD3069-2-56.....	RIGHT PLUG.....		1
257.....	PBD3069-2-57.....	DIALS BLOCK.....		1
258.....	PBD3069-2-58.....	GEARBOX COVER.....		1
259.....	PBD3069-39.....	PIN.....	DIN 1481 Φ5×40.....	3
260.....	PBD3069-2-60.....	KNOB BASE.....		3
261.....	PBD3069-2-61.....	KONB.....		3
262.....	PBD3069-2-62.....	LABEL.....		3
263.....	PBD3069-40.....	BALL.....	Φ5.....	6
264.....	PBD3069-2-64.....	SPRING.....	0.8×4×16.....	3
265.....	PBD3069-41.....	SOCKET HD SCREW.....	DIN912 M6×12.....	3
266.....	PBD3069-2-66.....	LABEL.....		1
267.....	PBD3069-2-67.....	OIL SIGHT.....		1
268.....	PBD3069-42.....	SOCKET HD SCREW.....	DIN912 M3×16.....	4
269.....	PBD3069-43.....	SOCKET HD SCREW.....	DIN912 M5×16.....	5
270.....	PBD3069-2-70.....	SHAFT.....		1

PBD-3069 Assembly Breakdown -3



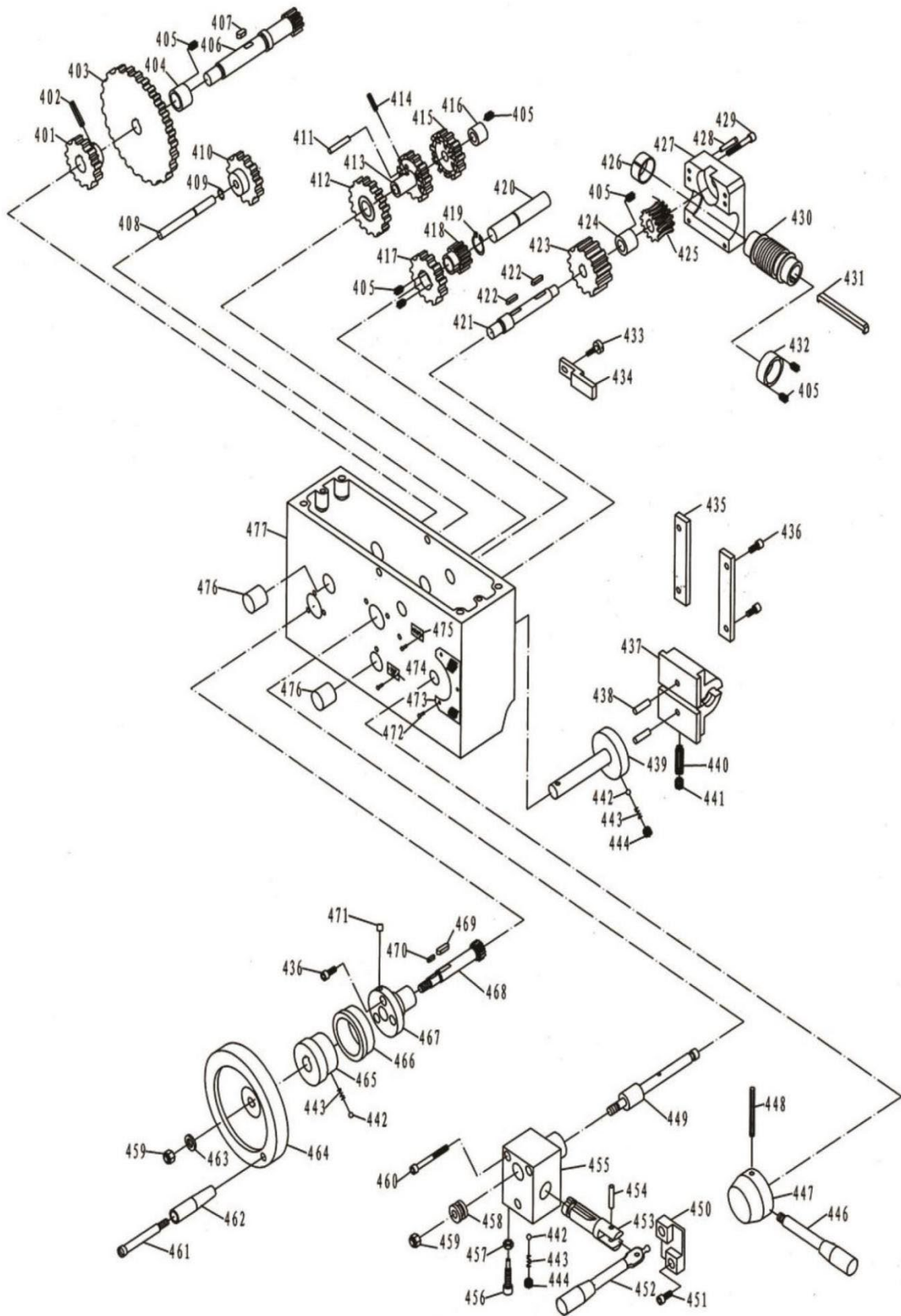
PBD-3069 Parts List for Breakdown -3

Index No.	Part No.	Description	Size	Qty.
301.....	PBD3069-3-01.....	SCREW.....	DIN912 M8×30.....	8
302.....	PBD3069-3-02.....	HANDLE BASE.....		1
303.....	PBD3069-3-03.....	HANDLE.....		1
305.....	PBD3069-3-05.....	WASHER.....		1
306.....	PBD3069-3-06.....	POST BASE.....		1
307.....	PBD3069-3-07.....	STOP.....		1
308.....	PBD3069-3-08.....	SPRING.....	7×0.8×11.....	1
309.....	PBD3069-3-09.....	TOP SLIDE.....		1
310.....	PBD3069-3-10.....	GIB.....		1
311.....	PBD3069-3-11.....	OILLESS BEARING.....	1210.....	2
312.....	PBD3069-3-12.....	HUB.....		1
313.....	PBD3069-3-13.....	INDEX RING.....		1
314.....	PBD3069-44.....	SOCKET HD SCREW.....	DIN 912 M6×20.....	2
315.....	PBD3069-45.....	BALL.....	Φ5.....	1
316.....	PBD3069-3-16.....	SPRING.....	1.5×0.5×6.5.....	1
317.....	PBD3069-3-17.....	INDEX BASE.....		1
318.....	PBD3069-46.....	PIN.....	DIN 1481 Φ3×16.....	2
319.....	PBD3069-3-19.....	LEVER.....		1
320.....	PBD3069-3-20.....	LEVER.....		2
321.....	PBD3069-3-21.....	LEVER SHAFT.....		2
322.....	PBD3069-3-22.....	BLOCK.....		1
323.....	PBD3069-3-23.....	SCREW.....		1
324.....	PBD3069-47.....	PLUG.....		3
325.....	PBD3069-48.....	SET SCREW.....	DIN912 M6×10.....	3
326.....	PBD3069-49.....	OIL BALL.....	Φ6.....	7
327.....	PBD3069-50.....	SOCKET HD SCREW.....	DIN 912 M8×10.....	1
328.....	PBD3069-3-28.....	CROSS SLIDE.....		1
329.....	PBD3069-51.....	PULG.....		4
330.....	PBD3069-52.....	HEX NUT.....	DIN439 M6.....	8
331.....	PBD3069-53.....	SOCKET HD SCREW.....	DIN 912 M6×30.....	4
332.....	PBD3069-3-32.....	BLOCK.....		1
333.....	PBD3069-54.....	SOCKET HD SCREW.....	DIN912 M4×8.....	2
334.....	PBD3069-55.....	SOCKET HD SCREW.....	DIN 912 M5×6.....	1
335.....	PBD3069-3-35.....	SADDLE.....		1
336.....	PBD3069-3-36.....	WIPER.....		2
337.....	PBD3069-3-37.....	PLATE.....		2
338.....	PBD3069-56.....	SOCKET HD SCREW.....	DIN 912 M4×18.....	8
339.....	PBD3069-3-39.....	WIPER.....		2
340.....	PBD3069-3-40.....	PLATE.....		2
341.....	PBD3069-3-41.....	STRIP.....		1
342.....	PBD3069-57.....	SOCKET HD SCREW.....	DIN 912 M8×30.....	4
343.....	PBD3069-3-43.....	STRIP.....		1
344.....	PBD3069-3-44.....	STRIP.....		1
345.....	PBD3069-3-45.....	BRACKET.....		1
346.....	PBD3069-58.....	SOCKET HD SCREW.....	DIN 912 M5×20.....	3
347.....	TBB-51101.....	BEARING.....	51101.....	2
348.....	PBD3069-3-48.....	COLLAR.....		1
349.....	PBD3069-3-49.....	INDEX RING.....		1

PBD-3069 Parts List for Breakdown -3

Index No.	Part No.	Description	Size	Qty.
350.....	PBD3069-3-50.....	HANDWHEEL.....		1
351.....	PBD3069-3-51.....	WASHER.....		1
352.....	PBD3069-59.....	SOCKET HD SCREW.....	DIN 912 M5×10.....	1
353.....	PBD3069-3-53.....	SPRING.....		1
354.....	PBD3069-60.....	SOCKET HD SCREW.....	DIN 912 M5×20.....	3
355.....	PBD3069-3-55.....	KEY.....	DIN 6885 4X8.....	1
356.....	PBD3069-3-56.....	IEADSCREW.....		1
357.....	PBD3069-3-57.....	GIB.....		1
358.....	PBD3069-61.....	SOCKET HD SCREW.....	DIN 912 M12×30.....	2
359.....	PBD3069-62.....	SOCKET HD SCREW.....	DIN 912 M8×40.....	2
360.....	PBD3069-63.....	PIN.....	DIN 1481 Φ4×20.....	1
361.....	PBD3069-3-61.....	GRADUATED COLLAR.....		1
362.....	PBD3069-3-62.....	T-BOLT.....	M10×30.....	2
363.....	PBD3069-3-63.....	CLAMPING RING.....		1
364.....	PBD3069-64.....	NUT.....	DIN439 M10.....	2
365.....	PBD3069-3-65.....	BOLT.....		1
366.....	PBD3069-65.....	SOCKET HD SCREW.....	DIN 912 M6×16.....	8
367.....	PBD3069-66.....	PLUG.....		4
368.....	PBD3069-3-68.....	SWIVEL BASE.....		1
369.....	PBD3069-67.....	KEY.....	DIN 6885 4×10.....	1
370.....	PBD3069-3-70.....	GEAR.....		1
371.....	PBD3069-68.....	SOCKET HD SCREW.....	DIN 912 M5×16.....	1

PBD-3069 Assembly Breakdown -4



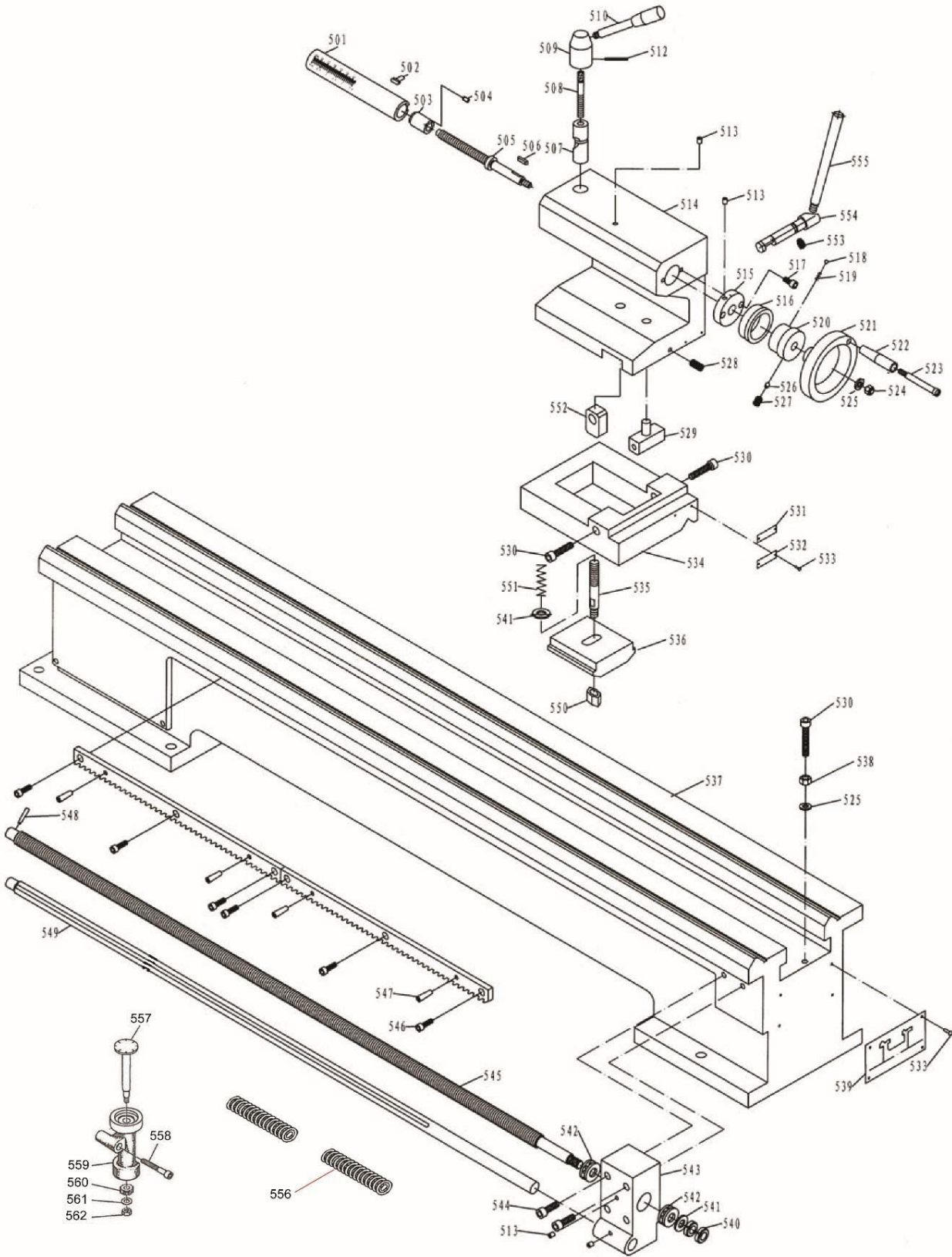
PBD-3069 Parts List for Breakdown -4

Index No.	Part No.	Description	Size	Qty.
401.....	PBD3069-4-01.....	GEAR.....		1
402.....	PBD3069-69.....	PIN.....	DIN 1481 Φ 5 \times 24.....	1
403.....	PBD3069-4-03.....	GEAR.....		1
404.....	PBD3069-4-04.....	WASHER.....		1
405.....	PBD3069-70.....	SOCKET HD SCREW.....	DIN912 M4 \times 8.....	7
406.....	PBD3069-4-06.....	GEAR SHAFT.....		1
407.....	PBD3069-71.....	KEY.....	DIN 6885 4X8.....	1
408.....	PBD3069-4-08.....	SHAFT.....		1
409.....	PBD3069-72.....	SNAP RING.....	DIN 127 Φ 8.....	1
410.....	PBD3069-4-10.....	GEAR.....		1
411.....	PBD3069-4-11.....	SHAFT.....		3
412.....	PBD3069-4-12.....	GEAR.....		1
413.....	PBD3069-4-13.....	GEAR.....		1
414.....	PBD3069-73.....	PIN.....	DIN 1481 Φ 4 \times 16.....	1
415.....	PBD3069-4-15.....	GEAR.....		1
416.....	PBD3069-4-16.....	WASHER.....		1
417.....	PBD3069-4-17.....	GEAR.....		1
418.....	PBD3069-4-18.....	GEAR.....		1
419.....	PBD3069-74.....	SNAP RING.....	DIN 127- Φ 15.....	1
420.....	PBD3069-4-20.....	SHAFT.....		1
421.....	PBD3069-4-21.....	SHAFT.....		1
422.....	PBD3069-75.....	KEY.....	DIN 6885-5 \times 14.....	2
423.....	PBD3069-4-23.....	GEAR.....		1
424.....	PBD3069-4-24.....	WASHER.....		1
425.....	PBD3069-4-25.....	WORM.....		1
426.....	PBD3069-4-26.....	BEARING.....	2501.....	1
427.....	PBD3069-4-27.....	WORM BASE.....		1
428.....	PBD3069-76.....	PIN.....	DIN 1481- Φ 4 \times 20.....	2
429.....	PBD3069-77.....	SOCKET HD SCREW.....	DIN 912-M4 \times 30.....	4
430.....	PBD3069-4-30.....	WORM.....		1
431.....	PBD3069-78.....	KEY.....		1
432.....	PBD3069-4-32.....	WASHER.....		1
433.....	PBD3069-4-33.....	SET SCREW.....	DIN 912-M4 \times 8.....	2
434.....	PBD3069-4-34.....	PLATE.....		1
435.....	PBD3069-4-35.....	PLATE.....		2
436.....	PBD3069-79.....	SOCKET HD SCREW.....	DIN 912-M5 \times 12.....	7
437.....	PBD3069-4-37.....	HALF NUT.....		1
438.....	PBD3069-80.....	PIN.....	DIN 1481- Φ 6 \times 18.....	2
439.....	PBD3069-4-39.....	CAM SHAFT.....		1
440.....	PBD3069-81.....	SOCKET HD SCREW.....	DIN 912-M6 \times 20.....	1
441.....	PBD3069-82.....	SOCKET HD SCREW.....	DIN 912-M6 \times 8.....	1
442.....	PBD3069-83.....	BALL.....	Φ 5.....	3
443.....	PBD3069-4-43.....	SPRING.....	0.7 \times 4 \times 10.....	3
444.....	PBD3069-84.....	SOCKET HD SCREW.....	DIN912-M6 \times 6.....	2
446.....	PBD3069-4-46.....	HANDLE.....		1
447.....	PBD3069-4-47.....	HANDLE BASE.....		1
448.....	PBD3069-85.....	PIN.....	DIN 1481- Φ 5 \times 45.....	1
449.....	PBD3069-4-49.....	SHAFT.....		1

PBD-3069 Parts List for Breakdown -4

Index No.	Part No.	Description	Size	Qty.
450.....	PBD3069-4-50.....	BASE		1
451.....	PBD3069-86.....	SOCKET HD SCREW.....	DIN 912-M5×10	6
452.....	PBD3069-4-52.....	SHAFT HANDLE		1
453.....	PBD3069-4-53.....	SHAFT FORX		1
454.....	PBD3069-87.....	PIN.....	DIN 1481-Φ5×20	1
455.....	PBD3069-4-55.....	BASE		1
456.....	PBD3069-88.....	SOCKET HD SCREW.....	DIN912-M6X20	1
457.....	PBD3069-89.....	NUT	DIN439-M6.....	1
458.....	PBD3069-4-58.....	SHIFT LEVER		1
459.....	PBD3069-90.....	NUT	DIN439-M8.....	2
460.....	PBD3069-91.....	SOCKET HD SCREW.....	DIN 912-M5×35.....	2
461.....	PBD3069-4-61.....	SHAFT HANDLE		1
462.....	PBD3069-4-62.....	KNOB		1
463.....	PBD3069-92.....	WASHER	DIN6340-Φ 8	1
464.....	PBD3069-4-64.....	HANDWHEEL		1
465.....	PBD3069-4-65.....	SHAFT		1
466.....	PBD3069-4-66.....	GRADUATED COLLAR		1
467.....	PBD3069-4-67.....	BRACKET		1
468.....	PBD3069-4-68.....	SHAFT		1
469.....	PBD3069-93.....	KEY	DIN 6885-5×14	1
470.....	PBD3069-94.....	KEY.....	DIN 6885-3×10	1
471.....	PBD3069-95.....	OIL BALL.....	Φ 6.....	1
472.....	PBD3069-96.....	RIVET.....	Φ 2×6	3
473.....	PBD3069-4-73.....	PLATE.....		1
474.....	PBD3069-4-74.....	PLATE.....		1
475.....	PBD3069-4-75.....	PLATE.....		1
476.....	PBD3069-4-76.....	COLLAR		1
477.....	PBD3069-4-77.....	APRON		1

PBD-3069 Assembly Breakdown -5



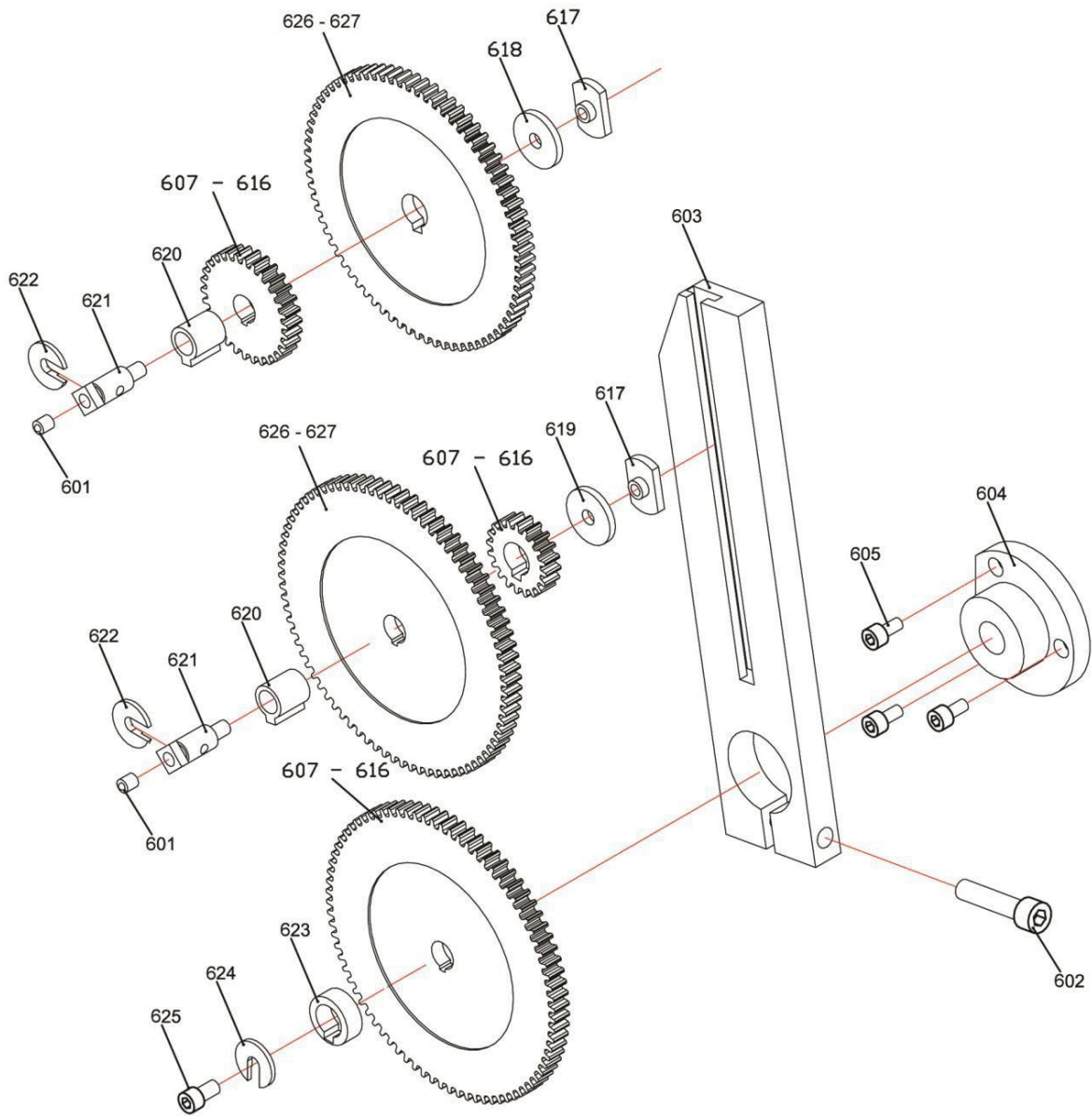
PBD-3069 Parts List for Breakdown -5

Index No.	Part No.	Description	Size	Qty.
501.....	PBD3069-5-01.....	QUILL.....		1
502.....	PBD3069-97.....	KEY.....		1
503.....	PBD3069-5-03.....	NUT.....		1
504.....	PBD3069-98.....	SOCKET HD SCREW.....	DIN912-M6×10.....	1
505.....	PBD3069-5-05.....	SCREW.....		1
506.....	PBD3069-99.....	KEY.....	DIN 6885-4×10.....	1
507.....	PBD3069-5-07.....	PIVOT BLOCK.....		1
508.....	PBD3069-5-08.....	SCREW.....		1
509.....	PBD3069-5-09.....	HANDLE BASE.....		1
510.....	PBD3069-5-10.....	HANDLE.....		1
512.....	PBD3069-100.....	PIN.....	DIN 1481-Φ3×30.....	1
513.....	PBD3069-101.....	OIL BALL.....	Φ6.....	4
514.....	PBD3069-5-14.....	TAILSTOCK BODY.....		1
515.....	PBD3069-5-15.....	FLANGE COVER.....		1
516.....	PBD3069-5-16.....	INDEX RING.....		1
517.....	PBD3069-102.....	SOCKET HD SCREW.....	DIN 912-M6×10.....	2
518.....	PBD3069-103.....	BALL.....	Φ4.....	1
519.....	PBD3069-5-19.....	SPRING.....	Φ4×1×6.....	1
520.....	PBD3069-5-20.....	SLEEVE.....		1
521.....	PBD3069-5-21.....	HANDWHEEL.....		1
522.....	PBD3069-5-22.....	KONB.....		1
523.....	PBD3069-5-23.....	SCREW.....		1
524.....	PBD3069-104.....	NUT.....	DIN439-M8.....	1
525.....	PBD3069-105.....	WASHER.....	DIN6340-Φ8.....	6
526.....	PBD3069-5-26.....	BRAKE BLOCK.....		1
527.....	PBD3069-106.....	SOCKET HD SCREW.....	DIN 912-M6×10.....	1
528.....	PBD3069-107.....	SOCKET HD SCREW.....	DIN 912-M6×16.....	1
529.....	PBD3069-5-29.....	SET SCREW.....		1
530.....	PBD3069-108.....	SOCKET HD SCREW.....	DIN 912-M8×40.....	3
531.....	PBD3069-5-31.....	PLATE.....		1
532.....	PBD3069-5-32.....	PLATE.....		1
533.....	PBD3069-109.....	RIVET.....	Φ 2×6.....	8
534.....	PBD3069-5-34.....	BASE.....		1
535.....	PBD3069-5-35.....	BOLT.....		1
536.....	PBD3069-5-36.....	CLAMPING PLATE.....		1
537.....	PBD3069-5-37.....	BED.....		1
538.....	PBD3069-110.....	NUT.....	DIN439-M8.....	5
539.....	PBD3069-5-39.....	PLATE.....		1
540.....	PBD3069-111.....	NUT.....	DIN1804-M12×1.25.....	2
541.....	PBD3069-112.....	WASHER.....	DIN6340-Φ 12.....	2
542.....	TBB-51102.....	BEARING.....	51102.....	2
543.....	PBD3069-5-43.....	BRACKET.....		1
544.....	PBD3069-113.....	SOCKET HD SCREW.....	DIN 912-M8×20.....	2
545.....	PBD3069-5-45.....	FEED SHAFT.....		1
546.....	PBD3069-114.....	SOCKET HD SCREW.....	DIN 912-M6×15.....	6
547.....	PBD3069-115.....	PIN.....	DIN 1481-Φ6×22.....	4
548.....	PBD3069-116.....	PIN.....	DIN 1481-Φ4×22.....	1
549.....	PBD3069-5-49.....	SHAFT.....		1
550.....	PBD3069-117.....	NUT.....	DIN439-M12.....	1
551.....	PBD3069-5-51.....	SPRING.....	Φ13×1×62.....	1
552.....	PBD3069-5-52.....	BRAKE BLOCK.....		1
553.....	PBD3069-118.....	SOCKET HD SCREW.....	DIN912-M6×10.....	1
554.....	PBD3069-5-54.....	SHAFT.....		1
555.....	PBD3069-5-55.....	HANDLE.....		1

PBD-3069 Parts List for Breakdown -5

Index No.	Part No.	Description	Size	Qty.
556.....	PBD3069-5-556.....	LEAD SCREW GUARD.....		2
557.....	PBD3069-5-557.....	SHAFT.....		1
558.....	GB7085-6-70.....	HEX SOCKET SCREW.....	M6 x 70	1
559.....	PBD3069-5-559.....	DISORDERLY BUCKLE PLATE HOLDER.....		1
560.....	PBD3069-5-560.....	GEAR.....		1
561.....	GB5287-8.....	WASHER.....		1
562.....	GB617086-8.....	HEX NUT.....	M8	1
.....	PBD3069-5-563.....	THREADING DIAL ASSEMBLY (#557-562).....		1
.....	PBD3069-564.....	MT5 FIXED CENTRE.....	not shown	1
.....	PBD3069-565.....	MT3 FIXED CENTRE.....	not shown	1
.....	PBD3069-566.....	MT3 LIVE CENTRE.....	not shown	1

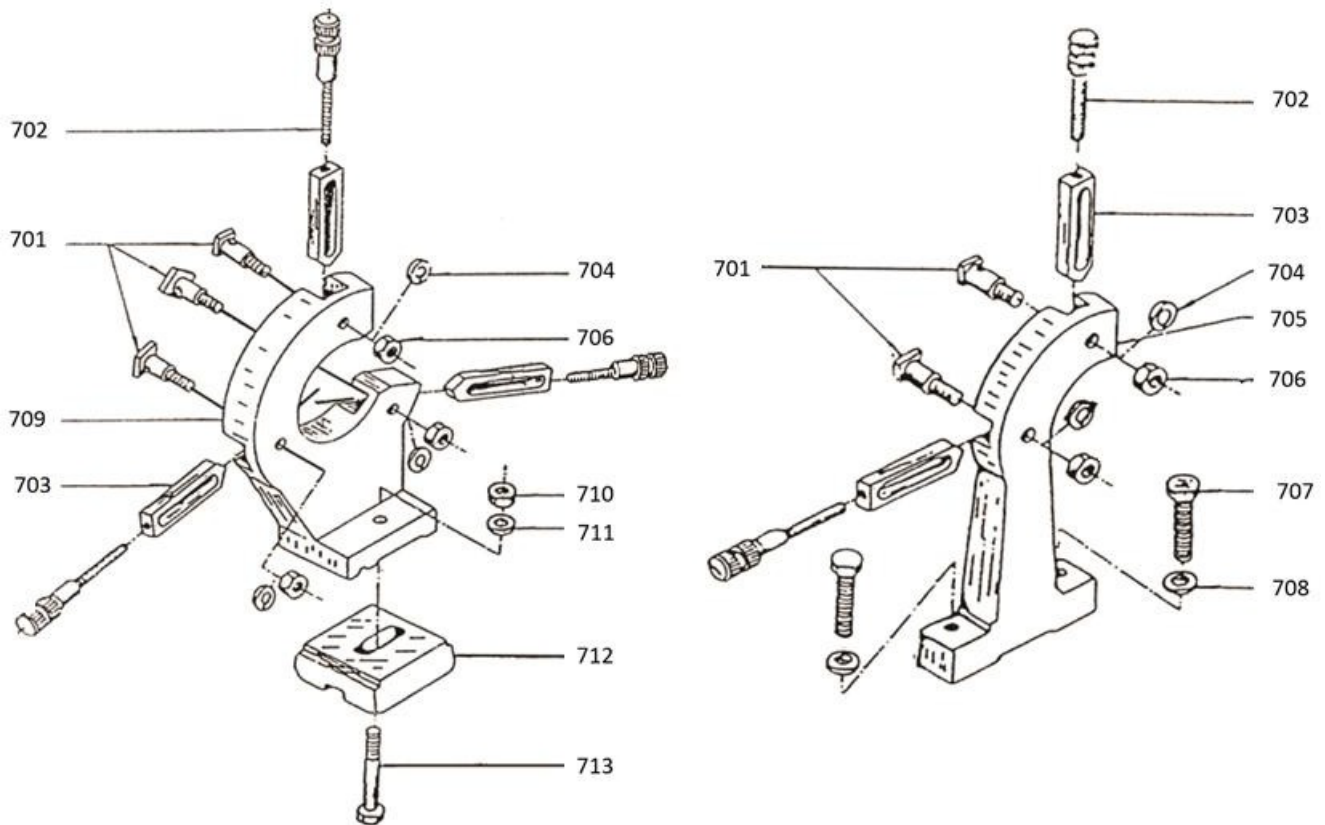
PBD-3069 Assembly Breakdown -6



PBD-3069 Parts List for Breakdown -6

Index No.	Part No.	Description	Size	Qty.
601.....	PBD3069-119.....	BALL OILER.....	Φ6.....	2
602.....	PBD3069-120.....	SOCKET HD SCREW.....	M8 × 35 mm.....	1
603.....	PBD3069-6-03.....	RAIL.....		1
604.....	PBD3069-6-04.....	BRACKET.....		1
605.....	PBD3069-121.....	SOCKET HD SCREW.....	M5 × 10 mm.....	3
607.....	PBD3069-6-07.....	GEAR.....	85.....	1
608.....	PBD3069-6-08.....	GEAR.....	80.....	1
609.....	PBD3069-6-09.....	GEAR.....	75.....	1
610.....	PBD3069-6-10.....	GEAR.....	70.....	1
611.....	PBD3069-6-11.....	GEAR.....	65.....	1
612.....	PBD3069-6-12.....	GEAR.....	60.....	2
613.....	PBD3069-6-13.....	GEAR.....	50.....	1
614.....	PBD3069-6-14.....	GEAR.....	45.....	1
615.....	PBD3069-6-15.....	GEAR.....	30.....	1
616.....	PBD3069-6-16.....	GEAR.....	20.....	1
617.....	PBD3069-6-17.....	T-NUT.....	M5.....	2
618.....	PBD3069-6-18.....	SPACER.....	1.5 mm.....	1
619.....	PBD3069-6-19.....	SPACER.....	3 mm.....	1
620.....	PBD3069-6-20.....	KEY SLEEVE.....		2
621.....	PBD3069-6-21.....	THREADED SHAFT.....		2
622.....	PBD3069-6-22.....	C-WASHER.....		2
623.....	PBD3069-6-23.....	COLLAR.....		1
624.....	PBD3069-6-24.....	C-WASHER.....		1
625.....	PBD3069-6-25.....	SOCKET HD SCREW.....	M6 × 10 mm.....	1
626.....	PBD3069-6-26.....	GEAR.....	90.....	1
627.....	PBD3069-6-27.....	GEAR.....	40.....	1

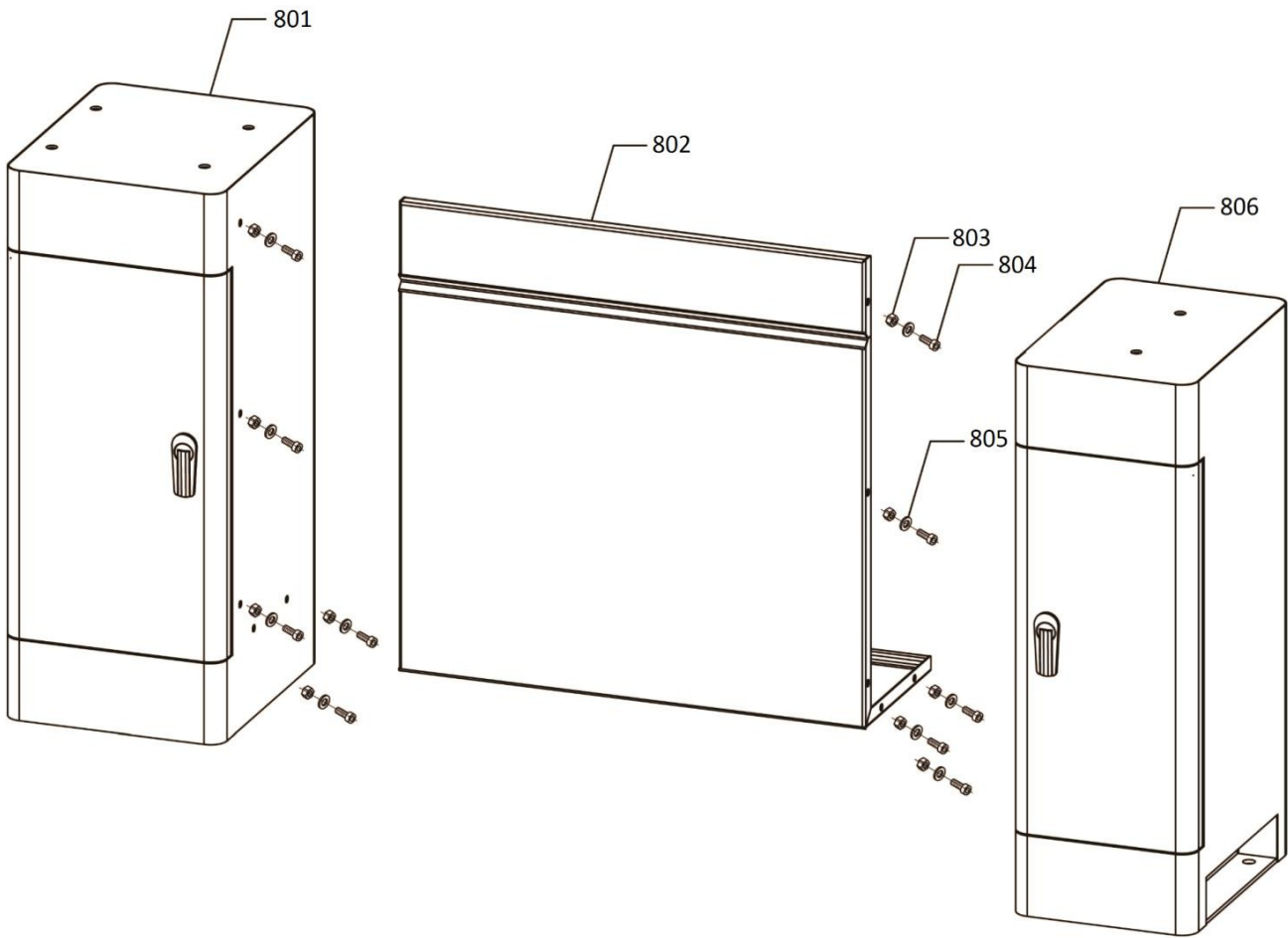
PBD-3069 Assembly Breakdown -7



PBD-3069 Parts List for Breakdown -7

Index No.	Part No.	Description	Size	Qty.
701	PBD2870-701	SCREW		5
702	PBD2870-702	TIGHTENING SCREW		5
703	PBD2870-703	SLIDE JAW		5
704	PBD2555V-704	SPRING WASHER (STD)	10	5
705	PBD3069-705	FOLLOW REST		1
706	GB617086-10	HEX NUT	M10	5
707	GB578186-8-30	HEX HD SCREW	M8 × 30 mm	2
708	GB97185-8	WASHER	8	2
709	PBD3069-709	STEADY REST		1
710	GB617086-12	HEX NUT	M12	1
711	GB97185-12	WASHER	12	1
712	PBD3069-712	CLAMPING PLATE		1
713	GB578186-12-70	HEX HD SCREW	M12 × 70 mm	1
	PBD3069-714	STEADY REST KIT (#701-704, 706, 709-713)		1
	PBD3069-715	FOLLOW REST KIT (#701-708)		1

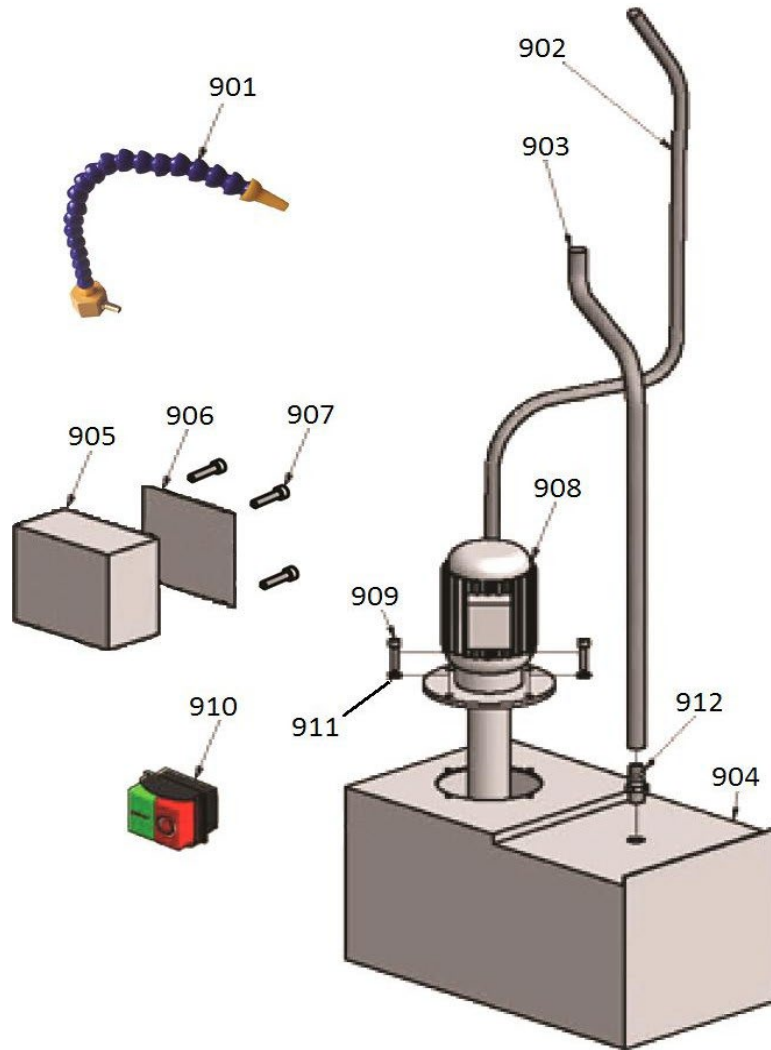
PBD-3069 Assembly Breakdown -8



PBD-3069 Parts List for Breakdown -8

Index No.	Part No.	Description	Size	Qty.
801.....	PBD3069-801.....	LEFT STAND		1
802.....	PBD3069-802.....	CONNECTING PLATE.....		1
803.....	GB617086-8.....	HEX NUT.....	M8	10
804.....	GB7085-8-16.....	SOCKET HD SCREW.....	M8 x 16 mm.....	10
805.....	GB97185-8.....	WASHER.....	8	10
806.....	PBD3069-806.....	RIGHT STAND		1
.....	PBD3069-807	STAND KIT (#801-806).....		1

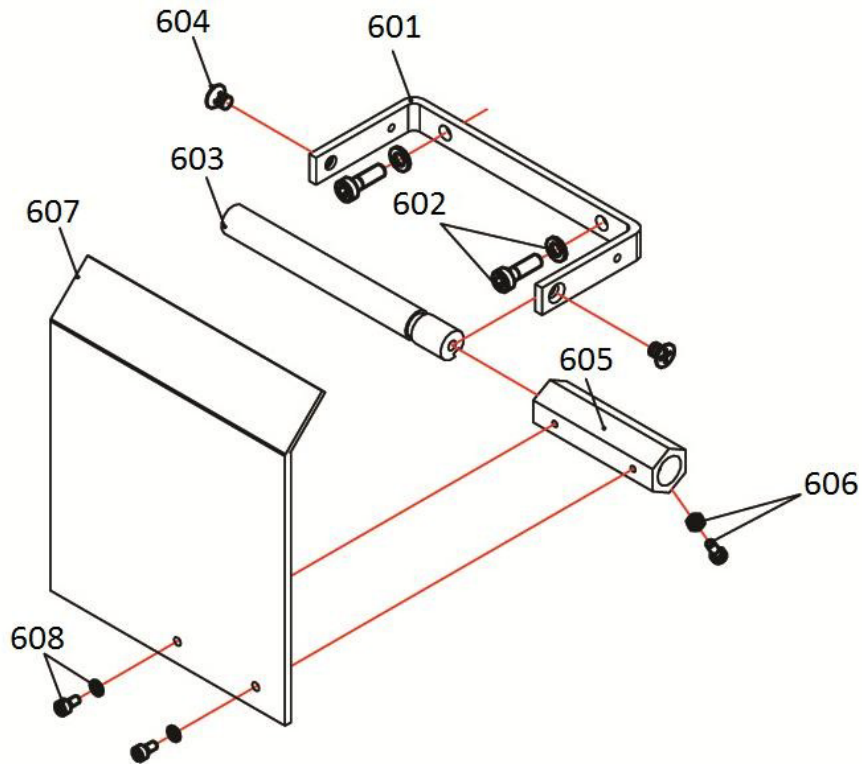
PBD-3069 Assembly Breakdown -9



PBD-3069 Parts List for Breakdown -9

Index No.	Part No.	Description	Size	Qty.
901.....	PBD1830V-901.....	NOZZLE.....		1
902.....	PBD1830V-902.....	OUTLET PIPE.....		1
903.....	PBD1830V-903.....	RETURNING PIPE.....		1
904.....	PBD1830V-904.....	WATER TANK.....		1
905.....	PBD1830V-905.....	ELECTRICAL BOX.....		1
906.....	PBD1830V-906.....	ELECTRICAL BOX COVER.....		1
907.....	GB7085-5-30.....	SOCKET HD SCREW.....	M5 x 30 mm	4
908.....	PBD1830V-908.....	COOLANT PUMP (M2).....		1
909.....	GB7085-5-12.....	SOCKET HD SCREW.....	M5 x 12 mm	4
910.....	PBD1830V-910.....	SWITCH.....	KJD17B	1
911.....	GB97185-5.....	WASHER.....	5	4
912.....	PBD1830V-912.....	HOSE CLIP.....		1
	59500112.....	COOLANT PUMP KIT (#901-912).....		1

PBD-3069 Assembly Breakdown -10

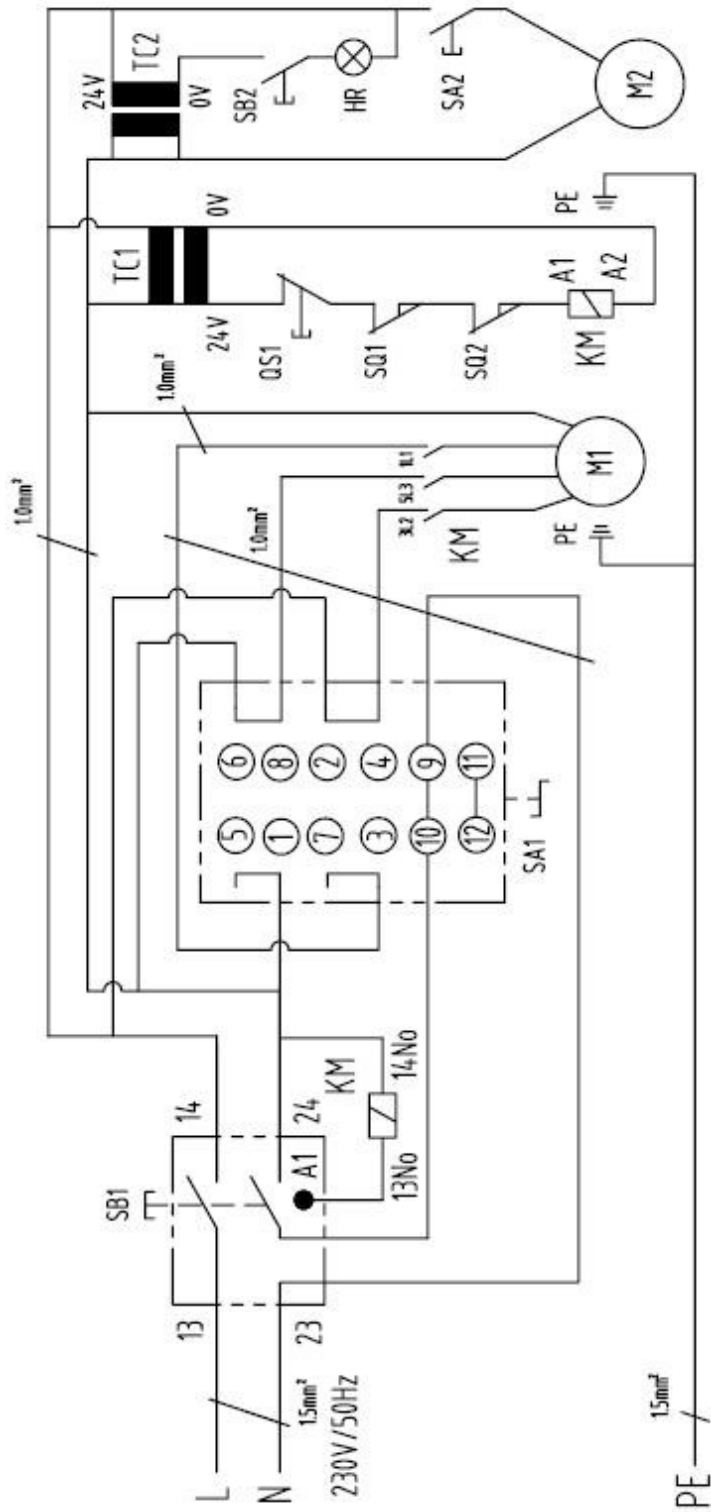


PBD-3069 Parts List for Breakdown -10

Index No.	Part No.	Description	Size	Qty.
601.....	PBD1830V-601.....	SUPPORT		1
602.....	GB7085-5-12.....	SOCKET HD SCREW.....	M5 × 12 mm.....	2
603.....	PBD1830V-603.....	SHAFT		1
604.....	GB81985-5-6.....	CROSS RECESSED FLAT HD SCREW.....	M5 × 6 mm.....	2
605.....	PBD1830V-605.....	HEX SLEEVE		1
606.....	GB7085-3-8.....	SOCKET HD SCREW.....	M3 × 8 mm.....	1
607.....	PBD1830V-607.....	CHIP SHIELD		1
608.....	GB7085-3-6.....	SOCKET HD SCREW.....	M3 × 6 mm.....	2
.....	PBD1830V-609.....	TOOL POST GUARD KIT (#601-608)		1

16.0 Wiring Diagrams

PBD-3069 1~230V, PE, 50Hz



PBD-3069 Electrical Parts List

DESCRIPTION	TYPE	Qty.	Spare Part No.
Magnetic Contactor	KJD17GF	1	PBD2870V-E1
Fwd/0/Rev - Switch	ZH-A	1	PBD2870V-E2
Contactor	LC1K0910	1	PBD2870V-E3
Transformer	230V/24V/20VA	1	PBD2870V-E4
Transformer (Optional)	230V-24V/20VA	1	PBD2870V-E5
Emergency stop	LAY5	1	PBD2870V-E6
Gear Guard Switch	QKS8	1	PBD2870V-E7
Chuck Guard Switch	LXW5-11Q1	1	PBD1830V-151
Light Switch (Optional)	KCD1-101	1	PBD2870V-E9
Work light (Optional)	24V	1	PBD2870V-E10
Pump Switch (Optional)	LAY5-BE101	1	PBD1830V-910
Main Motor	YLJ90L4-12A	1	PBD3069-1-48
Pump (Optional)	DB-12A	1	PBD1830V-908

1.0 Informationen zur vorliegenden Anleitung

Das vorliegende Handbuch wird von PROMAC bereitgestellt und enthält die Anweisungen für den sicheren Betrieb der Metaldrehbank Modell PBD-3069 von PROMAC sowie für die an diesem Produkt auszuführenden Wartungsvorgänge. Die Anleitung enthält Anweisungen zu Montage, Sicherheitsmaßnahmen, allgemeinen Bedienschritten und Wartungsvorgängen sowie die Teilelisten. Die Maschine wurde so ausgelegt und konstruiert, dass sie bei Beachtung der in diesem Dokument aufgeführten Anweisungen eine lange Lebensdauer bei beständiger Betriebsqualität aufweist.

Bewahren Sie diese Anleitung für die weitere Verwendung gut auf. Wenn die Maschine den Besitzer wechselt, muss diese Anleitung beiliegen.

2.0 Inhaltsverzeichnis

Abschnitt	Seite
1.0 Informationen zur vorliegenden Anleitung.....	43
2.0 Inhaltsverzeichnis	43
3.0 Wichtige Sicherheitshinweise	4~5
3.1 Bestimmungsgemäße Verwendung und Einsatzbeschränkungen	6
3.2 Restrisiken	6
4.0 Technische Daten	7~8
5.0 Beschreibung der Maschine	9
6.0 Einrichtung und Montage	10
6.1 Auspacken und Reinigen	10
6.2 Lieferumfang	10
6.3 Montage	10
6.4 Anfängliche Schmierung	10
6.5 Aufstellung	10
7.0 Elektrische Anschlüsse	10
7.1 Anweisungen zur Erdung.	10
7.2 Verlängerungskabel	11
8.0 Einstellungen	11~13
8.1 Spindeldrehzahlbereichswahl	11
8.2 Einrichten der Zahnradkombination	11
8.3 Kegeldrehen mit Reitstock	12
8.4 Kegeldrehen mit Oberschlitten	12
8.5 Dreibacken-Universalspannfutter	13
8.6 Spannfutter mit vier einzeln verstellbaren Backen	13
8.7 Umlaufende Spitze	13
8.8 Lünette und mitlaufende Lünette	13
9.0 Bedienelemente	14
10.0 Bedienung der Maschine	14~17
10.1 Bearbeitung ausführen.....	14
10.2 Aufspannen	14
10.3 Einrichten der Bearbeitungswerkzeuge	15
10.4 Empfohlene Spindeldrehzahlen	15
10.5 Manuelles Drehen	15
10.6 Drehen mit automatischem Vorschub	15
10.7 Gewindeschneiden.....	16
10.8 Bohren	17
11.0 Wartung seitens des Anwenders.....	17~18
11.1 Schmierung	17
11.2 Nachjustieren.....	17~18
12.0 Störungsbeseitigung.....	19
13.0 Umweltschutz.....	19
14.0 Verfügbares Zubehör	19
15.0 Ersatzteile	20~34
16.0 Schaltplan	35~36

3.0 WICHTIGE SICHERHEITSHINWEISE

ALLE ANWEISUNGEN UND ANLEITUNGEN VOR DER VERWENDUNG DIESER DREHMASCHINE DURCHLESEN.



-Zur Minimierung von Verletzungsgefahren:

1. Vor Montage und Inbetriebnahme dieser Maschine muss das Benutzerhandbuch vollständig durchgelesen und verstanden werden.
2. Die Warnhinweise an der Maschine und in der vorliegenden Anleitung müssen durchgelesen und verstanden werden.
3. Warnschilder, die unleserlich geworden oder abgefallen sind, müssen ersetzt werden.
4. Diese Maschine wurde für die Anwendung durch entsprechend geschultes und erfahrenes Personal konzipiert. Jemand, der mit dem korrekten Gebrauch und der sicheren Bedienung einer Metaldrehbank nicht vertraut ist, darf sie erst bedienen, wenn er eine geeignete Schulung erhalten und die erforderlichen Kenntnisse erworben hat.
5. Diese Maschine ist ausschließlich für den bestimmungsgemäßen Gebrauch gedacht. Sollte sie für andere Zwecke eingesetzt werden, lehnt PROMAC jegliche ausdrückliche oder stillschweigende Gewährleistung ab und hält sich schadlos von etwaigen Verletzungen, die aus einem solchen Missbrauch entstehen können.
6. Beim Arbeiten mit dieser Maschine stets eine Schutzbrille oder einen Gesichtsschutz mit entsprechender Zulassung tragen. (Brillen für den täglichen Gebrauch haben lediglich schlagfeste Gläser, sie gelten *nicht* als Schutzbrille.)
7. Bevor mit dieser Maschine gearbeitet wird, Krawatten, Ringe, Armbanduhr und anderen Schmuck ablegen und die Ärmel bis über die Ellbogen aufrollen. Es darf keine locker sitzende Kleidung getragen werden und lange Haare sind zusammenzubinden. Schuhwerk mit rutschfesten Sohlen oder Anti-Rutsch-Matten für den Boden werden empfohlen. **Keine** Handschuhe tragen.
8. Bei lang andauernder Arbeit mit dem Gerät einen Gehörschutz (Ohrenstöpsel oder Kapselgehörschutz) tragen.
9. Staub, der beim Sägen entsteht, kann chemische Stoffe enthalten, die anerkanntermaßen als krebserregend gelten, Geburtsfehler verursachen oder die Fortpflanzungsfähigkeit anderweitig beeinträchtigen. Hier einige Beispiele für solche chemischen Stoffe:
 - Blei in Bleianstrich.
 - Kristallines Siliziumdioxid aus Ziegelsteinen, Zement und andere für den Bau verwendeten Erzeugnissen.
 - Arsen und Chrom aus chemisch behandeltem Bauholz.Das Expositionsrisiko richtet sich danach, wie häufig man diese Art von Arbeiten ausführt. Um die Gefährdung durch solche chemischen Stoffe so weit wie möglich zu reduzieren, an ausreichend belüfteten Orten und mit zugelassener Schutzausrüstung wie Gesichtsschutz oder Staubmaske arbeiten, die speziell dafür ausgelegt ist, auch mikroskopisch feine Partikel zurückzuhalten.
10. Die Bedienung dieser Maschine unter Einfluss von Drogen, Alkohol oder Medikamenten ist untersagt.
11. Vor dem Anschließen des Geräts ans Stromnetz sicherstellen, dass der Schalter ausgeschaltet ist (Stellung **OFF** (AUS)). Vor dem Trennen von der Stromversorgung alle Bedienelemente ausschalten bzw. deaktivieren.
12. Auf korrekte Erdung der Maschine achten. Die Maschine darf nur mit einer korrekt geerdeten Steckdose verbunden werden. Siehe die Anweisungen zur Erdung.
13. Die Maschine vor Ausführung aller erforderlichen Einstellungen oder Wartungsarbeiten vom Stromnetz trennen.
14. Einstellwerkzeuge jeglicher Art entfernen. Der Bediener sollte es sich zur Gewohnheit machen, vor dem Einschalten der Maschine sicherzustellen, dass Einstellwerkzeuge jeglicher Art entfernt wurden.
15. Schutzabdeckungen müssen beim Betrieb des Geräts an Ort und Stelle verbleiben. Werden sie zu Wartungszwecken entfernt, ist extreme Vorsicht geboten; die Schutzabdeckungen unmittelbar nach Abschluss der Wartung wieder anbringen.
16. Die Maschine auf beschädigte Teile untersuchen. Vor dem weiteren Gebrauch der Maschine beschädigte Schutzabdeckungen oder andere beschädigte Teile sorgfältig untersuchen und prüfen, ob sie noch einwandfrei funktionieren und ihre Funktion sicher ausüben. Die Maschine auf mangelhaft ausgerichtete oder schwergängige bewegliche Teile, auf Bruch von Teilen, fehlerhafte Montage und weitere Faktoren untersuchen, die den Betrieb beeinträchtigen könnten. Schutzabdeckungen und andere Teile, die beschädigt sind, sollten sachgemäß repariert oder ausgewechselt werden.
17. Im Bereich rund um das Gerät ausreichend Platz für Wartungsarbeiten lassen und für blendfreie Beleuchtung von oben sorgen.
18. Den Boden rund um das Gerät sauber und frei von Ausschussmaterial, Öl oder Schmierfett halten.
19. Besucher müssen vom Arbeitsbereich ferngehalten werden. **Insbesondere Kinder unbedingt fernhalten.**
20. Die Werkstatt muss kindersicher gestaltet werden, d.h. es müssen Vorhängeschlösser und Hauptschalter verwendet werden und der Startschalterschlüssel muss abgezogen werden.
21. Der Arbeit ist uneingeschränkte Aufmerksamkeit zu widmen. Umherschauen, Gespräche mit Mitarbeitern und "Unfug" sind leichtsinnig und können ernste Verletzungen zur Folge haben.
22. Stets auf eine ergonomische Körperhaltung achten. Stets für sicheren Stand sorgen, so dass man nicht stürzt oder ins Wanken gerät und an das Spannfutter oder andere bewegliche Teile kommt. Beim Bedienen der Maschine muss ausgeschlossen sein, dass der Bediener sich recken muss. Keine übermäßige Kraft aufwenden.
23. Stets das geeignete Werkzeug verwenden und mit angemessener Drehzahl und Vorschubgeschwindigkeit arbeiten. Werkzeug oder Zusatzeinrichtungen nicht mit Gewalt montieren oder für Arbeiten verwenden, für die sie nicht ausgelegt sind. Mit dem richtigen Werkzeug lassen sich Arbeiten besser und sicherer ausführen.
24. Die Maschine ist ausschließlich für den Einsatz in Innenräumen gedacht. Zur Verringerung des Risikos von elektrischen Schlägen nicht außerhalb von geschlossenen Räumen (keine Anwendung im Freien) oder auf nassen oder feuchten Flächen einsetzen.
25. Die Maschine darf nicht mit feuchten oder nassen Händen bedient werden.
26. Das empfohlene Zubehör verwenden; ungeeignetes Zubehör kann zu gefährlichen Situationen und Unfällen führen.
27. Werkzeuge sind sorgfältig zu pflegen. Werkzeuge scharf und sauber halten, damit sie stets optimale Leistung erbringen. Bei Schmierung und Teilewechsel den Anweisungen Folge leisten.
28. Die Maschine vor dem Reinigen ausschalten und von der Stromversorgung trennen. Späne und sonstige Fremdkörper mit einer Bürste oder mit Druckluft – auf keinen Fall mit bloßen Händen – entfernen.
29. Stellen Sie sich nicht auf die Maschine. Schwere Verletzungen können auftreten, sollte die Maschine umstürzen.

30. Die Maschine niemals unbeaufsichtigt laufen lassen. Die Stromversorgung ausschalten und die Maschine nicht eher verlassen, als bis sie zum Stillstand gekommen ist.
31. Bevor die Maschine gestartet wird, lose Gegenstände und unnötige Werkstücke aus dem Arbeitsbereich entfernen.

32. Den Netzstecker ziehen, wenn die Maschine außer Betrieb genommen wird.
33. Sicherstellen, dass das Werkstück sicher eingespannt ist.

Der Bediener muss sich mit den wie folgt gekennzeichneten Sicherheitshinweisen in dieser Anleitung vertraut machen:



WARNUNG: Bei Missachtung so gekennzeichnete Sicherheitsvorschriften besteht die Gefahr ernster Verletzungen, u.U. mit tödlichem Ausgang.



VORSICHT: Bei Missachtung so gekennzeichnete Sicherheitsvorschriften besteht die Gefahr von kleineren Verletzungen und/oder möglichen Maschinenschäden.

DIESE ANLEITUNG AUFBEWAHREN



WARNUNG:

Diese Symbole weisen darauf hin, dass bei der Verwendung dieser Maschine stets die korrekten Sicherheitsverfahren durchzuführen und alle Sicherheitsvorschriften zu beachten sind.



Vor Montage und Inbetriebnahme der Maschine muss die Bedienungsanleitung vollständig durchgelesen und verstanden werden.



Werkstück-Stangenmaterial, das über das hintere Ende des Spindelstocks herausragt, muss über die gesamte Länge zum Schutz abgedeckt werden. Große Verletzungsgefahr



Stets zulässige und geeignete Arbeitskleidung tragen. Schutzbrillen tragen. Gehörschutz tragen.



Die Bedienung dieser Maschine unter dem Einfluss von Drogen, Alkohol oder Medikamenten ist untersagt.



Stets zulässige und geeignete Arbeitskleidung tragen. Sicherheitsschuhe tragen. Krawatten, Ringe, Armbanduhren ablegen. Ärmel bis über die Ellbogen aufrollen. Es darf keine locker sitzende Kleidung getragen werden und lange Haare sind zusammenzubinden.



Beim Arbeiten mit dieser Maschine keine Handschuhe tragen.



Anschluss- und Reparaturarbeiten an der Elektrik dürfen ausschließlich von einem qualifizierten Elektriker durchgeführt werden.



Die Maschine vor Ausführung aller erforderlichen Einstellungen oder Wartungsarbeiten vom Stromnetz trennen.



Greifen Sie niemals in die Maschine hinein, während sich diese in Betrieb befindet oder nachläuft.

3.1 Bestimmungsgemäße Verwendung und Einsatzbeschränkungen

Die Maschine wurde ausschließlich für das Drehen und Bohren von spanend bearbeitbaren Metall- und Kunststoffwerkstoffen konstruiert.

Das Werkstück muss so beschaffen sein, dass es sicher geladen, abgestützt und geführt werden kann.

Die Maschine ist ausschließlich für den Einsatz in Innenräumen gedacht. Die Schutzklasse der elektrischen Einrichtungen entspricht IP54.

Damit die Maschine nicht umkippt, muss sie mit vier Ankerschrauben am Boden verschraubt werden.

Sollte sie für andere Zwecke eingesetzt werden, lehnt PROMAC jegliche ausdrückliche oder stillschweigende Gewährleistung ab und hält sich schadlos von etwaigen Verletzungen, die aus einem solchen Missbrauch entstehen können.



WARNUNG:

Die Maschine ist nicht für die Bearbeitung von Magnesium geeignet - große Brandgefahr!

Die Finger auf keinen Fall in eine Position bringen, in der sie sich drehende Teile oder Späne berühren können.

Vor dem Starten der Maschine sicherstellen, dass das Werkstück sicher und fest aufgespannt ist.

Den Spannweg und die Spannkapazität des Spannfutters nicht überschreiten.

Werkstücke, deren Länge das 3-fache des Einspanndurchmessers beträgt, müssen mit dem Reitstock oder einer Lünette abgestützt werden.

Kleine Spannfutterdurchmesser bei großen Drehdurchmessern vermeiden. Kurze Aufspannlängen und kleine Spannkontaktflächen vermeiden.

Die maximale Drehzahl der Werkstückaufspannvorrichtung nicht überschreiten.

Stets das geeignete Werkzeug verwenden und mit angemessener Drehzahl und Vorschubgeschwindigkeit arbeiten. Werkzeug oder Zusatzeinrichtungen nicht mit Gewalt montieren oder für Arbeiten verwenden, für die sie nicht ausgelegt sind. Mit dem richtigen Werkzeug lassen sich Arbeiten besser und sicherer ausführen.

Das empfohlene Zubehör verwenden; ungeeignetes Zubehör kann zu gefährlichen Situationen und Unfällen führen.

Werkzeuge sind sorgfältig zu pflegen. Zerspannungswerkzeuge scharf und sauber halten, damit sie stets optimale Leistung erbringen.

Bei Schmierung und Teilewechsel den Anweisungen Folge leisten.

Auf keinen Fall versuchen, während des Betriebs der Maschine Werkzeuge einzustellen oder auszubauen.

Sich drehende Spannfutter oder Werkstücke auf keinen Fall mit den Händen festhalten.

Beim Bearbeiten von nicht ausgewuchteten Werkstücken sowie für Gewindeschneid- und Gewindebohrvorgänge eine niedrige Spindeldrehzahl wählen.

Werkstück-Stangenmaterial, das über das hintere Ende des Spindelstocks herausragt, muss über die gesamte Länge zum Schutz abgedeckt werden. Große Verletzungsgefahr!

Für lange Werkstücke ist möglicherweise eine Abstützung mittels der Lünette erforderlich. Lange und dünne Werkstücke können sich bei schneller Drehung verbiegen.

Den Reitstock bzw. die Reitstockpinole auf keinen Fall bei laufender Maschine bewegen.

Bearbeitungsspäne mithilfe eines geeigneten Spänehakens entfernen - nur im Stillstand der Maschine!

Messungen und Einstellungen dürfen nur im Stillstand der Maschine ausgeführt werden.

Wartungs- und Reparaturarbeiten dürfen nur ausgeführt werden, nachdem die Maschine durch Ziehen des Netzsteckers gegen versehentliches Einschalten gesichert wurde.

Bevor die Maschine gestartet wird, lose Gegenstände und unnötige Werkstücke aus dem Arbeitsbereich entfernen.

Das Werkstück von Hand drehen, bevor die Stromzufuhr eingeschaltet wird. Wenn mit der Bearbeitung eines neuen Werkstücks begonnen wird, die niedrigste Drehzahl verwenden.

Vor Beginn des Transports alle Transportsicherungen arretieren.

3.2 Restrisiken

Selbst bei Beachtung aller Vorschriften können beim Betrieb der Maschine einige Restrisiken bestehen.

Vom sich drehenden Werkstück und Spannfutter geht eine Verletzungsgefahr aus.

Fortgeschleuderte Werkstücke und bei der Bearbeitung entstehende Späne können zu Verletzungen führen.

Es können Gesundheitsrisiken durch Späne und Lärm bestehen. Persönliche Schutzausrüstung wie z.B. Schutzbrille und Gehörschutz tragen.

Bei Verwendung eines ungeeigneten Netzanschlusses und eines beschädigten Netzkabels kann es zu Verletzungen aufgrund eines Stromschlags kommen.

Beim Öffnen des Schaltschranks liegt die Versorgungsspannung noch an. Daher ist beim Zugang besondere Vorsicht geboten.

4.0 Technische Daten

Modellnummer..... PBD-3069
Bestellnummer..... PBD-3069

Motoren und Elektrik:

Motortyp..... Induktionsmotor
Motorleistung 1,1 kW
Stromversorgung 1 - 230 V, PE, 50 Hz
Schutzklasse..... P 54
Für Vollast verzeichnete Stromstärke 6,4 A
Maschinenleuchte Halogenleuchte 24 V, 35 W
Kühlmittelpumpe 40 W

Leistungswerte:

Spitzenhöhe 150 mm
Drehdurchmesser über Bett 300 mm
Umlaufdurchmesser 170 mm
Spitzenweite 750 mm

Spindel:

Spindelkegelanbringung Kurzkegelaufnahme (1:4Ø63,51 mm, Ø98x3xØ11)
Spindelbohrung 38 mm
Spindelkegel MT5
Spindeldrehzahlstufen 6
Spindeldrehzahlbereiche/-stufen 150 ~ 2000 min⁻¹

Reitstock:

Verfahrweg Reitstockpinole 80 mm
Reitstockkegel..... MT3

Bett und Schlitten:

Bettbreite 180 mm
Querschlittenverfahrweg 170 mm
Oberschlittenverfahrweg 90 mm
Max. Werkzeuggröße..... 16 x 16 mm
Steigung der Gewindespindel 3 mm
Längsvorschub (9x) 0,085/0,13/ 0,17/0,21/0,25/0,35/0,40/0,50/0,83 mm/U
Metrische Gewinde (21x) 0,2 ~ 4,0 mm/U
Zollgewinde (21x) 8 ~ 56 TPI

Werkstoffe:

Maschinenbett..... aus Gusseisen, induktionsgehärtet und präzisionsgeschliffen
Spindelstock, Reitstock, Schlitten Gusseisen
Spindellager Kegelrollenlager, Qualitätsklasse P5

Geräuschpegel im Leerlauf¹ 73,4 dB (LpA)

Geräuschpegel beim Sägen¹ 78,3 dB (LpA)

¹ Schalldruckpegel gemäß EN ISO 11202 in 1 m Abstand und 1,6 m über dem Boden gemessen. Bei den angegebenen Werten handelt es sich um Emissionspegel, die nicht notwendigerweise als sichere Betriebspegel zu betrachten sind. Die Arbeitsbedingungen fallen je nach Arbeitsplatz unterschiedlich aus. Diese Informationen dienen daher lediglich dazu, dem Anwender eine bessere Vorstellung zum Einschätzen der Gefahren und Risiken zu vermitteln.

Abmessungen und Gewichtsangaben:

Gesamtabmessungen im montierten Zustand (B x T x H) 1.400 x 700 x 700 (1.400) mm
Transportabmessungen (B x T x H) (Separate Verpackung) 1.550 x 750 x 750 & 820 x 680 x 430 mm
Nettogewicht (ca.) 357 kg
Transportgewicht (ca.) 402 kg

L = Länge; W = Breite; H = Höhe; D = Tiefe

Die technischen Daten in diesem Handbuch waren zum Zeitpunkt der Veröffentlichung aktuell. Aufgrund unserer Politik fortwährender Verbesserung behält sich PROMAC das Recht vor, technische Daten jederzeit und ohne Vorankündigung sowie ohne jegliche damit einhergehende Verpflichtung zu ändern.

4.1 Spindelkegelanbringung:

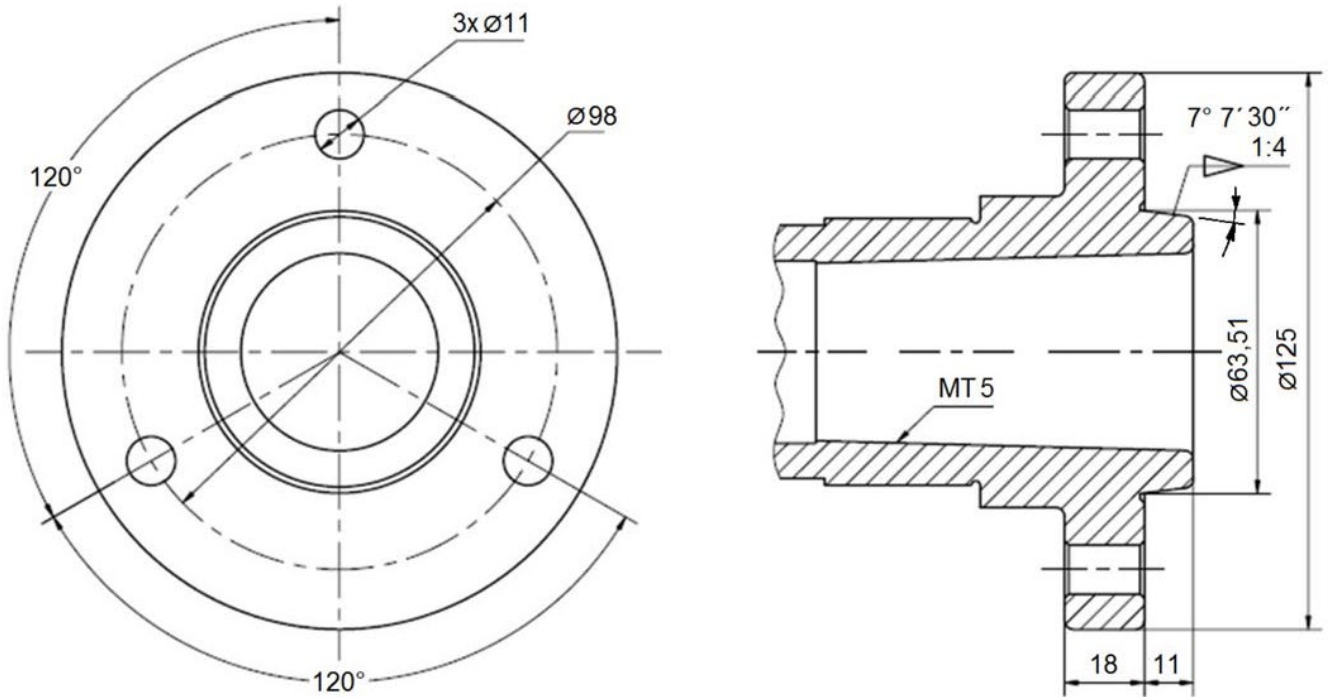


Abb. 4-1: Spindelkegelanbringung

4.2 Schema der Ankerschraubenbohrungen:

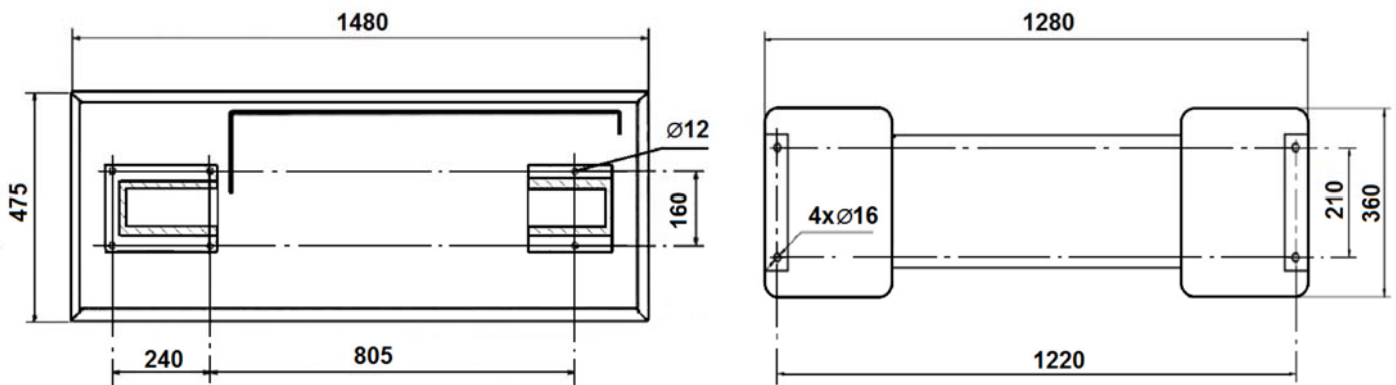


Abb. 4-2: Schema der Ankerschraubenbohrungen des Drehmaschinenbattes (links) und des Ständers (rechts)



WARNUNG:

Damit die Maschine nicht umkippt, muss sie mit vier Ankerschrauben (nicht mitgeliefert) am Boden verschraubt werden.

5.0 Beschreibung der Maschine

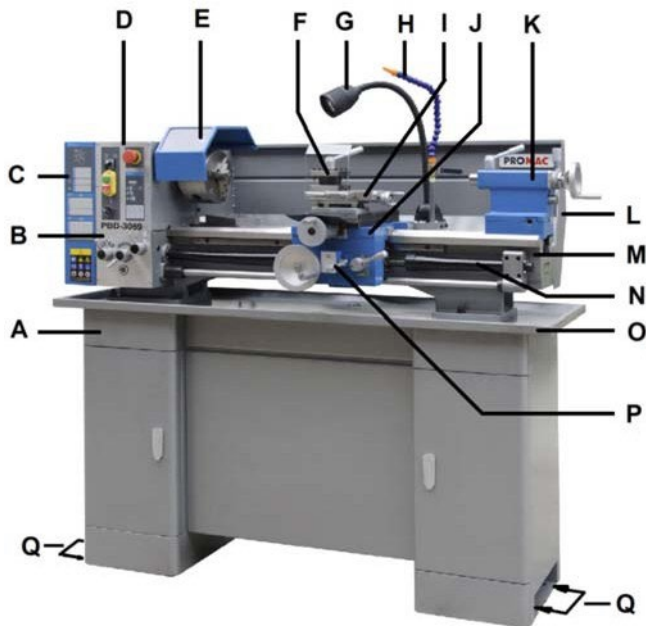


Abb. 5-1: Beschreibung der Maschine

- A Maschinenschranksockel
- B.....Getriebe
- C.....Riemenscheibenabdeckung
- D Spindelstock
- E.....Spannfutter und Spannfutterschutzabdeckung
- F.....Werkzeughalter und Werkzeughalter-Schutzabdeckung
- G Maschinenleuchte
- H Kühlmitteldüse
- I..... Oberer Schlitten
- J Werkzeugschlitten
- K..... Reitstock
- L..... Spritzschutz
- M Maschinenbett
- N Leitspindel
- O Späneauffangwanne
- P..... Wählhebel für Längsvorschub / Quervorschub
- Q..... Ankerschraubenbohrungen

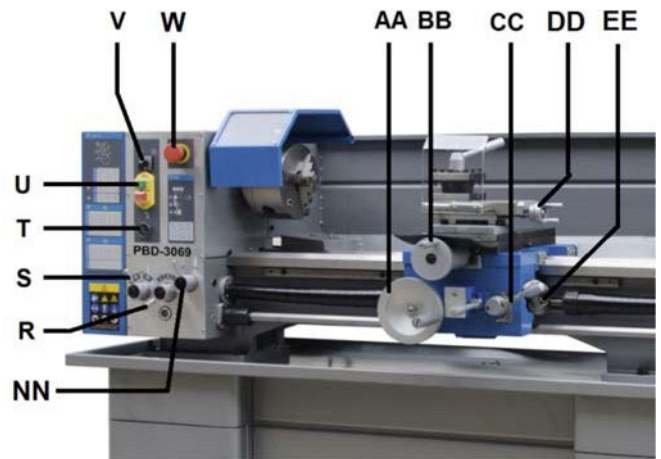


Abb. 5-2: Beschreibung der Maschine

- R..... Wahlknopf für Vorschubgeschwindigkeit
- S.....Vorschub vorwärts/rückwärts
- T Kühlmittelzufuhr EIN/AUS
- U Spindel EIN/AUS
- V..... Spindel vorwärts/rückwärts
- W..... Not-Aus
- AA..... Schlosskasten-Handrad
- BB..... Querschlitten-Handrad
- CC..... Mutterschlosshebel
- DD Oberschlitten-Handrad
- EE Wählscheibe für Gewindeschneiden
- NN..... Wahlknopf für Vorschub / Gewindeschneiden

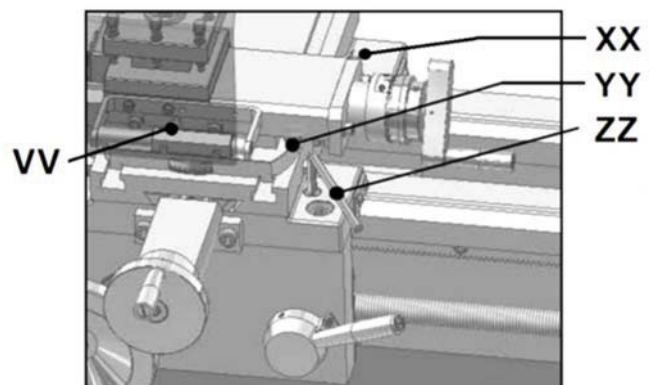


Abb. 5-3 Beschreibung der Maschine

- VV Arretierung oberer Schlitten
- XX..... Arretierung Querschlitten
- YY Oberschlitten-Kegeleinstellung
- ZZ Schlittenverriegelung

6.0 Einrichtung und Montage



WARNUNG:

Vor Montage und Inbetriebnahme muss der Inhalt dieses Handbuchs vollständig durchgelesen und verstanden werden. Bei Nichtbeachtung kann es zu schwerwiegenden Verletzungen kommen.

6.1 Auspacken und Reinigen

Alle Teile aus dem Verstandkarton entfernen und mit der in dieser Anleitung enthaltenen Liste vergleichen. Schäden oder fehlende Teile dem Zulieferer melden. Die Kiste und das Versandmaterial erst entsorgen, wenn die Maschine vollständig montiert ist und ordnungsgemäß funktioniert.

Alle mit Rostschutzmitteln versehenen Oberflächen mit Waschpetroleum oder einem milden Lösungsmittel von dieser Rostschuttschicht säubern. Kein Benzin, Farbverdünner oder Lackverdünner verwenden, da es andernfalls zu Beschädigungen an Kunststoffteilen und lackierten Flächen kommt.

6.2 Lieferumfang

- 1 Maschine
- 1 Schrankgestell
- 1 Kühlmittelsystem
- 1 Maschinenleuchte
- 1 160 mm 3-Backen-Spannfutter
- 1 160 mm Spannfutter mit 4 separat einstellbaren Backen
- 1 265 mm Planscheibe
- 1 Spritzschutzabdeckung
- 1 4-Wege-Werkzeughalter
- 1 Werkzeughalterschuttabdeckung
- 1 Wechselrädersatz
- 1 Wählscheibe für Gewindeschneiden
- 1 MT5 Feststehende Spitze
- 1 MT3 Feststehende Spitze
- 1 Lünette
- 1 Mitlaufende Lünette (Option)
- 1 Betriebswerkzeug in Werkzeugkasten
- 1 Ölkanne
- 1 Bedienungsanleitung und Teileliste

6.3 Montage

Die Maschine wird komplett montiert geliefert.

Den Antriebsriemen (Keilriemen) auflegen.

Kontrollieren, ob alle Befestigungselemente sicher und fest angebracht sind.

6.4 Anfängliche Schmierung

Die Maschine muss an allen Schmierstellen geschmiert werden, bevor sie in Betrieb genommen wird (siehe Abschnitt 11.1 Schmierung).

6.5 Aufstellung

Die Drehmaschine vom Boden der Transportkiste losschrauben.

Zum Abheben der Maschine von der Palette hochbeanspruchbare faserverstärkte Traggurte verwenden.



Warnung:

Die Maschine ist sehr schwer (402kg)! Prüfen, ob die Hebevorrichtungen ein ausreichendes Tragvermögen aufweisen und in einwandfreiem Zustand sind. Niemals den Bereich unter schwebenden Lasten betreten. Damit die Maschine nicht umkippt, muss sie mit vier Ankerschrauben (nicht mitgeliefert) am Boden verschraubt werden.

Damit das Bett sich nicht verzieht, sicherstellen, dass die Einrichtfläche absolut eben und flach ist.

Ankerschrauben und Unterlegscheiben lösen. Schrauben anziehen, wenn erforderlich.

Damit bei den Bearbeitungen mit der Maschine eine hohe Genauigkeit erzielt werden kann, muss sie exakt nivelliert werden.

7.0 Elektrische Anschlüsse



WARNUNG:

Alle elektrischen Anschlüsse dürfen nur von einem qualifizierten Elektriker gemäß allen am Einsatzort geltenden Vorschriften und Verordnungen durchgeführt werden. Bei Nichtbeachtung kann es zu schwerwiegenden Verletzungen kommen.

Die Metaldrehbank PBD-3069 ist für eine Einphasen-Stromversorgung mit 230 V, PE, 50 Hz bemessen. Die Maschinen werden mit einem Stecker geliefert, der für die Verwendung einer geerdeten Steckdose ausgelegt ist.

Der Netzanschluss und alle Verlängerungs-/Anschlusskabel und -stecker müssen den Anforderungen auf dem Kennschild der Maschine entsprechen.

Der Netzanschluss muss über eine träge Sicherung (16 A) verfügen.

Nur Netzkabel mit der Kennung H07RN-F mit Leitern mit einem Querschnitt von mindestens 1,5 mm² verwenden.

Das Netzkabel darf nicht länger als 18 Meter sein.

Netzkabel und Netzstecker müssen frei von Fehlern und Beschädigungen sein.

Anschlüsse und Reparaturen der elektrischen Ausrüstung dürfen ausschließlich von qualifizierten Elektrikern durchgeführt werden.

Diese Maschine verfügt über ein Netzkabel von 2.3m Länge, das mit einem Netzstecker versehen ist.

Vor dem Anschluss an die Stromversorgung muss der Netzschalter ausgeschaltet (in der Stellung OFF) sein.

7.1 Anweisungen zur Erdung

Diese Maschine muss geerdet werden. Im Falle von Funktionsstörungen oder Ausfällen sorgt die korrekte Erdung für die Ableitung des Fehlerstroms über den Weg des geringsten Widerstands, um so das Stromschlagrisiko zu verringern. Diese Maschine ist mit einem Stromkabel mit Schutzleiter und einem Schutzkontakt am Stecker ausgestattet. Der Stecker muss in eine passende Steckdose gesteckt werden, welche in Übereinstimmung mit den örtlich geltenden Gesetzen und Bestimmungen montiert und geerdet ist.



WARNUNG:

Bei falschem Anschluss des Schutzleiters besteht Stromschlaggefahr. Sollten Zweifel bezüglich der korrekten Erdung der Steckdose bestehen, ist Rücksprache mit einem

qualifizierten Elektriker oder dem Wartungspersonal zu halten.
Keine Änderungen am Netzstecker der Maschine vornehmen.

Der Leiter mit grün-gelber Isolierung ist der Schutzleiter (Erdungsleiter). Sollte eine Reparatur oder Auswechslung des Netzkabels oder des Steckers erforderlich sein, darauf achten, dass der Schutzleiter nicht mit einem Strom führenden Anschluss verbunden wird.

Es müssen Verlängerungskabel mit 3 Leitern und Erdungssteckern verwendet werden.

Beschädigte Netzkabel sofort reparieren oder ersetzen.

7.2 Verlängerungskabel

Es wird von der Verwendung von Verlängerungskabeln abgeraten. Versuchen Sie, die Maschine in der Nähe der Stromquelle aufzustellen. Ist die Verwendung eines Verlängerungskabels unumgänglich, muss sichergestellt sein, dass es in einwandfreiem Zustand ist.

Ist das Kabel zu klein bemessen, kommt es zu Spannungsabfällen, die Leistungsverlust und Überhitzung nach sich ziehen.

Nur Netzkabel mit der Kennung H07RN-F mit Leitern mit einem Querschnitt von mindestens 1,5 mm² verwenden.

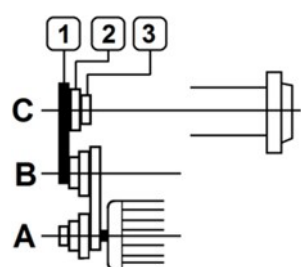
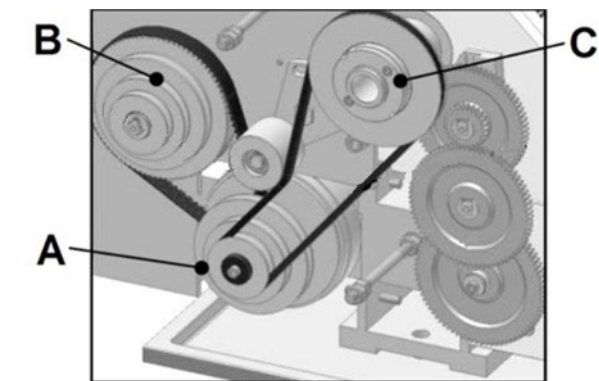
Das Netzkabel darf nicht länger als 18 Meter sein.

Verlängerungskabel und Netzstecker müssen frei von Fehlern und Beschädigungen sein.

8.0 Einstellungen

8.1 Spindeldrehzahlen ändern

Die Drehzahlen der Drehbank werden über die Position des Riemens auf den Riemenscheiben (Abb. 8-1) geregelt.



	BC 1	BC 2	BC 3
C	150	300	600
B	AC 1	AC 2	AC 3
A	500	1000	2000

Abb. 8-1: Spindeldrehzahl festlegen

Zum Ändern der Riemenposition die Riemenscheibenschutzabdeckung (C, Abb. 5-1) entfernen.

Die Riemenscheibenabdeckung wieder anbringen.

8.2 Einrichten der Zahnradkombination

Die Riemenscheibenabdeckung entfernen.

Die Drehzahl der Leitspindel und somit die Vorschubgeschwindigkeit des Bearbeitungswerkzeugs wird über die Zahnradanordnung und durch Betätigung des Wählhebels für die Vorschubgeschwindigkeit (R, Abb. 5-2) festgelegt.

Die gewünschte Zahnradanordnung einstellen (Abb. 8-2).

Z1	45	45	45
Z2	75	75	75
Z3	20	30	40
Z4	90	90	70
L	85	85	90

I	0.085	0.128	0.208
II	0.170	0.256	0.416
III	0.340	0.512	0.832

I	0.010	0.016	0.025
II	0.020	0.032	0.050
III	0.040	0.064	0.100

Z1	-	-	-	-	-	-	
Z2	70	70	60	60	65	50	70
Z3	80	80	80	80	80	80	80
Z4	20	30	50	50	60	70	60
L	75	75	75	60	60	60	45
I	0.20	0.30	0.50	0.625	0.75	0.875	1.00
II	0.40	0.60	1.00	1.25	1.50	1.75	2.00
III	0.80	1.20	2.00	2.50	3.00	3.50	4.00

Z1	-	-	-	-	-	-	
Z2	60	50	65	70	60	40	60
Z3	70	85	75	50	80	85	85
Z4	60	60	50	45	50	60	45
L	65	60	60	85	65	80	70
I	8.0	9.0	9.5	10	11	12	14
II	16	18	19	20	22	24	28
III	32	36	38	40	44	36	56

Abb. 8-2: Umschaltzahnrad-Anordnung

Die Zahnräder für den oberen und unteren Drehzahlbereich in Eingriff bringen.

Wenn ein Stück Papier zwischen die Zahnräder gelegt wird, kann der korrekte Zahnradabstand besser eingestellt werden (das Papier danach wieder herausnehmen!)

Die Riemenscheibenabdeckung wieder anbringen.

8.3 Kegeldrehen mit Reitstock

Das Werkstück mit zwischen den Spitzen angebrachtem Mitnehmer montieren. Der Mitnehmer wird über die Planscheibe angetrieben.

Die Reitstockspitze mit Fett schmieren, damit die Spitze nicht überhitzt.

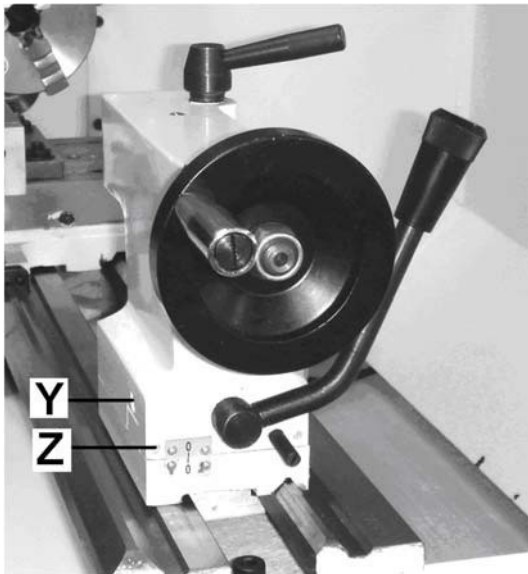


Abb. 8-3: Kegeldrehen zwischen Spitzen

Für das Kegeldrehen den Reitstock verstellen. Die Klemmschrauben (Z, Abb. 8-3) lösen und den Einstellvorgang mithilfe der Schrauben (Y) vornehmen.

Nach dem Kegeldrehen muss der Reitstock wieder in seine ursprüngliche Position gebracht werden. Eine Probewerkstück drehen und die Einstellung korrigieren, bis ein perfekter Zylinder gedreht wird.

8.4 Kegeldrehen mit Oberschlitten

Das Kegeldrehen kann auch durch entsprechende Einstellung des Oberschlittens ausgeführt werden.

Die zwei Sechskantmuttern (A, Abb. 8-4) lösen und den Oberschlitten entsprechend der Teilstrichskala (B) drehen.

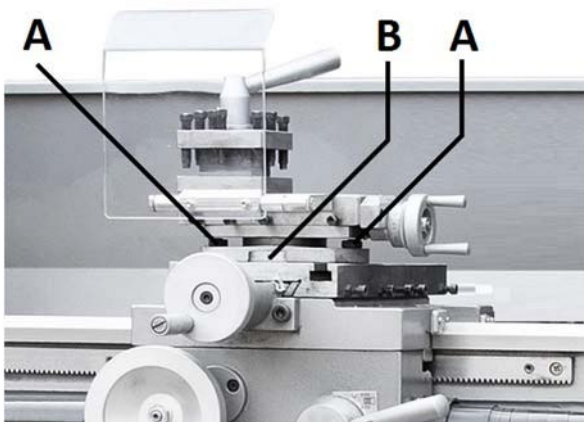


Abb. 8-4: Kegeldrehen mit Oberschlitten

8.5 Dreibacken-Universalspannfutter

Mit diesem Universalspannfutter kann zylindrisches, dreieck- und sechskantförmiges Stangenmaterial aufgespannt werden.

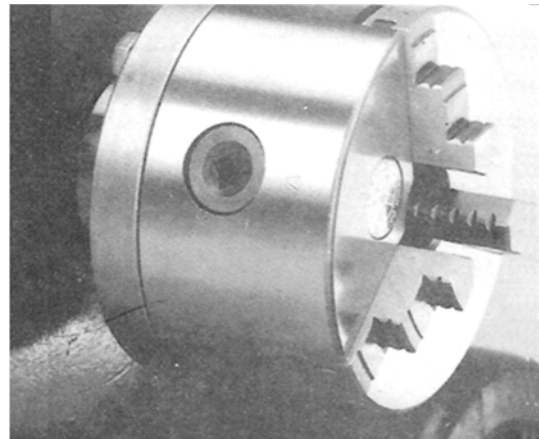


Abb. 8-5: Kegelbacken-Universalspannfutter

Zum Aufspannen von Stangenmaterial mit großem Durchmesser dient ein Außenspannbacken-Satz.

Die Spannbacken müssen in der korrekten Reihenfolge in das Futter eingesetzt werden.

Zum Schmieren der Spannbacken Molykote Paste G (oder ein gleichwertiges geeignetes Schmierfett) verwenden.

8.6 Spannfutter mit vier einzeln verstellbaren Backen (optional)

Dieses Futter verfügt über vier einzeln und somit unabhängig voneinander einstellbare Spannbacken (Abb 8-6).

Damit können Vierkant - und asymmetrische Werkstücke aufgespannt werden und es wird ein konzentrisches Einrichten von zylindrischen Teilen ermöglicht.



Abb. 8-6: Spannfutter mit vier einzeln verstellbaren Backen

8.7 Umlaufende Spitze (Option)

Die umlaufende Spitze (Abb. 8-7) ist unter Verwendung von Kugellagern montiert.

Ihr Einsatz wird bei Drehzahlen über 500 min⁻¹ empfohlen.

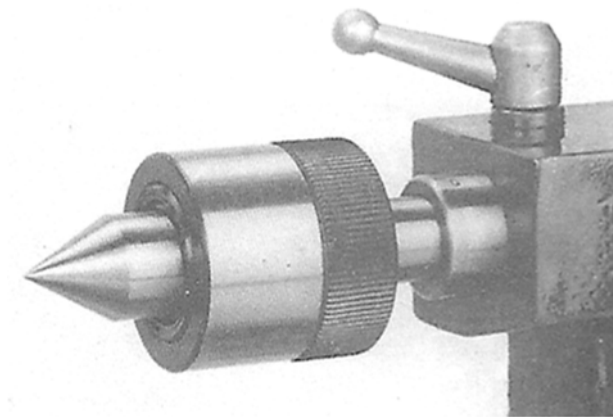


Abb. 8-7: Umlaufende Spitze

Zum Ausstoßen der umlaufenden Spitze muss die Reitstockpinole ganz zurückbewegt werden.

8.8 Lünette, und mitlaufende Lünette (Option)

Diese Lünetten (Setzstöcke) unterschiedlichen Typs verhindern, dass sich lange und dünne Werkstücke unter dem vom Werkzeug ausgeübten Druck verbiegen.

Die Lünette (Abb. 8-8) dient als Abstützung für längerer Wellen und stellt einen sicheren und ratterfreien Betrieb sicher.

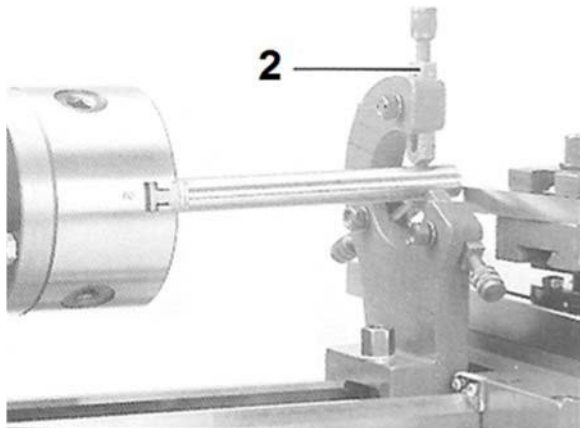


Abb. 8-8: Lünette

Die mitlaufende Lünette (Abb. 8-9) ist am Hauptschlitten installiert und folgt der Werkzeugbewegung.

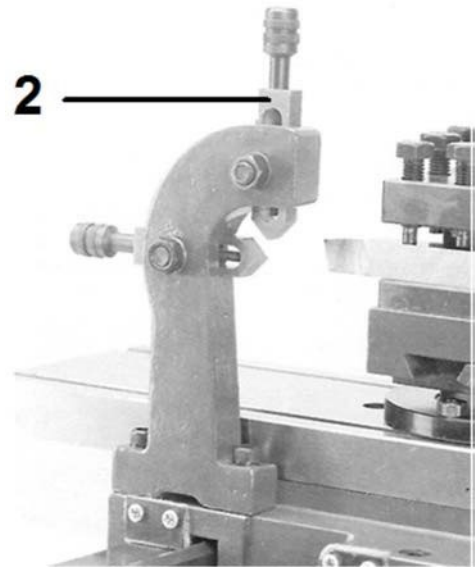


Abb. 8-9: Mitlaufende Lünette

Hinweis:

Die Finger (2) fest, aber nicht auf zu starken Druck einstellen.

Die Finger schmieren, damit sie sich nicht vorzeitig abnutzen.

9.0 Bedienelemente

Siehe Abb. 9-1:

- R Wahlhebel für Vorschubgeschwindigkeit (I, II, III)
- S Vorschub vorwärts/rückwärts
- T Kühlmittelzufuhr EIN/AUS
- U Spindel EIN/AUS
- V Spindel vorwärts/rückwärts
- W Not-Aus
- NN Wählhebel für Vorschubwelle / Leitspindel

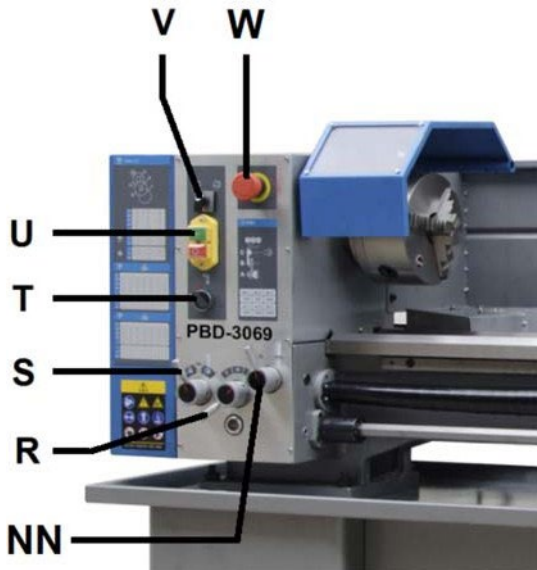


Abb. 9-1: Bedienelemente

10.0 Bedienung der Maschine

10.1 Bearbeitungsbetrieb ausführen

Vor dem Starten des Maschinenbetriebs prüfen, ob das Werkstück korrekt aufgespannt ist.

Vor dem Starten des Maschinenbetriebs muss die Spannutterabdeckung geschlossen werden.

Die Laufrichtung wählen - vorwärts oder rückwärts (V, Abb. 9-1).

Die Maschine kann mit dem grünen Einschalter (ON) (U) gestartet werden.

Bei Betätigung des roten Ausschalters (OFF) wird der Maschinenbetrieb gestoppt.

Bei Betätigung des Not-Aus-Tasters (W) werden alle Maschinenfunktionen sofort gestoppt.

Den Not-Aus-Taster im Uhrzeigersinn drehen, um ihn rückzustellen.

Die Arbeitsleuchte (G, Abb. 5-1) ist nicht damit gekoppelt. Sie wird mit der EIN/AUS-Taste oben am Leuchtengehäuse ein- und ausgeschaltet.

Die Maschine vom Stromnetz abklemmen, wenn sie nicht benutzt wird!

10.2 Aufspannen

Die maximale Drehzahl der Werkstückaufspannvorrichtung nicht überschreiten. Spannbacken-Zähne und -Zahnkränze müssen stets voll im Eingriff sein. Anderenfalls können die Spannutterbacken brechen und infolge der Rotationskraft weggeschleudert werden (Abb. 10-1).

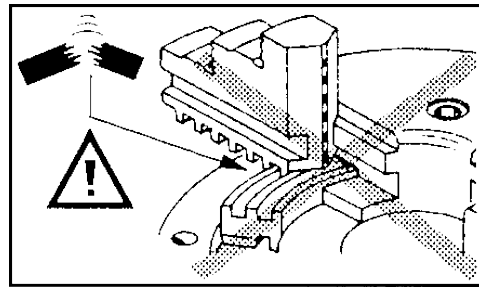


Abb. 10-1: Backen schlecht im Eingriff

Darauf achten, dass lange Werkstück abgestützt werden. Die freitragende Länge darf nicht zu groß sein. Solche Werkstücke können sich verbiegen (Abb. 10-2) oder weggeschleudert werden (Abb. 10-3). Zum Abstützen den Reitstock oder die Lünette verwenden.

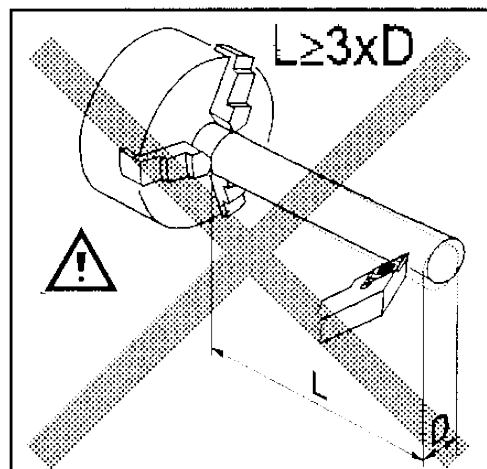


Abb. 10-2: Werkstück zu lang

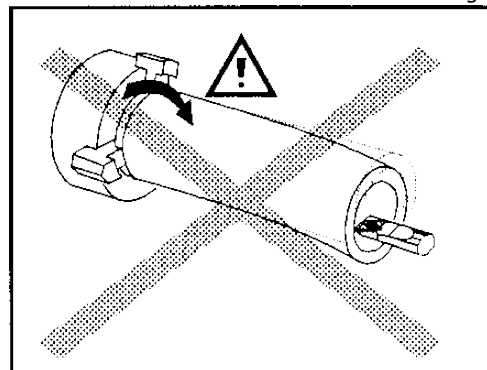


Abb. 10-3: Werkstück zu lang

Zu kurzen Klemmkontakt (A, Abb. 10-4) oder Einspannen schmäler Umfangsbereiche vermeiden (B). Das Werkstück mit der Stirnfläche korrekt aufspannen, damit eine bessere Abstützung sichergestellt ist.

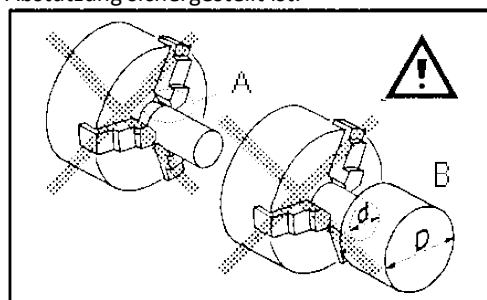


Abb. 10-4: Schlechte Aufspannung

10.3 Einrichten der Bearbeitungswerkzeuge

Der Schnittwinkel ist korrekt, wenn die Schneide in einer Linie mit der Mittelachse des Werkstücks ausgerichtet ist. Die äußerste Spitze der Reitstockspitze als Ausrichthilfe benutzen. Beilagscheiben unter das Werkzeug legen, um die korrekte Spitzenhöhe zu erhalten (Abb. 10-5).

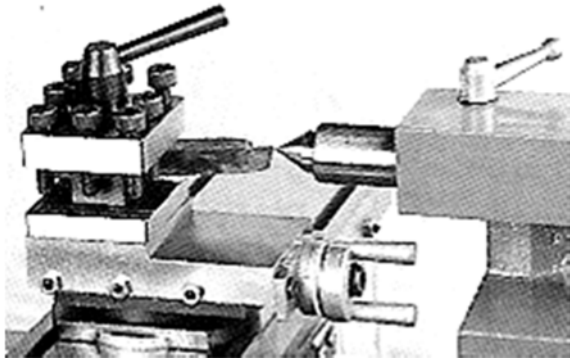


Abb. 10-5: Einrichten der Bearbeitungswerkzeuge

Zum Sichern des Bearbeitungswerkzeugs mindestens zwei Befestigungsschrauben verwenden.

Die Auskraglänge des Werkzeugs darf nicht zu groß sein.

10.4 Empfohlene Spindeldrehzahlen

ACHTUNG:

Allgemein gilt folgendes: Je kleiner der Bearbeitungsdurchmesser, desto höher die erforderliche Drehzahl. Bei weichen Materialien muss die Drehzahl höher sein als bei harten Metallen.

Metall wird üblicherweise unter Zuführung von Kühlmittel oder Schneidöl bearbeitet.

Empfohlene Spindeldrehzahlen für die Bearbeitung eines 10-mm-Durchmessers mit HSS-Werkzeugen (Schnellarbeitsstahl):

Kunststoff:	2.000 min ⁻¹
Aluminium:	2.000 min ⁻¹
Messing:	1.000 min ⁻¹
Gusseisen:	1.000 min ⁻¹
Weichstahl:	800 min ⁻¹
Unlegierter Hartstahl:	600 min ⁻¹
Rostfreier Stahl:	300 min ⁻¹

Bei Hartmetallwerkzeugen (HM) können 5-mal höhere Drehzahlen gewählt werden.

Beispiel:

Drehen von Weichstahl mit einem Durchmesser von 20 mm:

Mit Schnellarbeitsstahl (HSS)400 min⁻¹

Mit Hartmetallwerkzeug2.000 min⁻¹

10.5 Manuelles Drehen

Schlosskastenverstellweg (AA, Abb. 10-6), Querverfahrweg (BB) und Oberschlittenverfahrweg (DD) können auf Längs- und Planvorschub eingestellt werden.

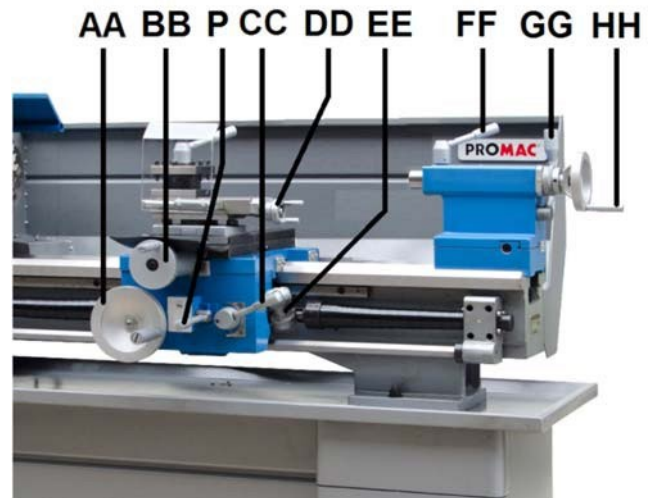


Abb. 10-6: Bedienelemente der Maschine

Die korrekte Vorschubgeschwindigkeit hängt vom zu bearbeitenden Werkstoff, vom Bearbeitungsvorgang, vom Werkzeugtyp, von der Steifigkeit der Aufspannung des Werkstücks und von der gewünschten Oberflächengüte ab.

10.6 Drehen mit automatischem Vorschub

Vorschubmodus "Feeding" am Getriebe wählen (NN, Abb. 9-1).

Vorschubrichtung Vorwärts oder Rückwärts wählen (S).

Den automatischen Vorschub durch Betätigung des Hebels starten (P, Abb. 10-7).

- Für den Längsvorschub den Hebel nach rechts und nach oben bewegen



- Für den Quervorschub den Hebel nach links und nach unten bewegen

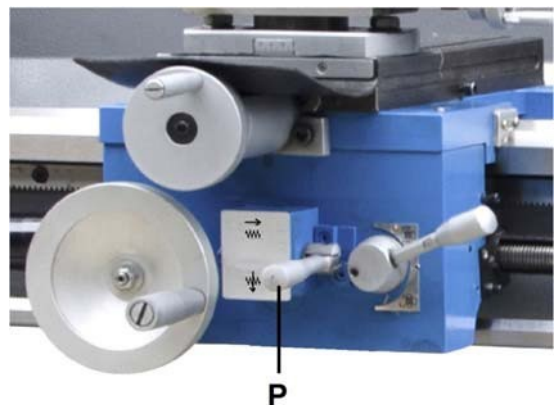


Abb. 10-7: Automatischer Vorschub

Durch Drehen des Vorschubwahlknopfs (R, Abb. 91) kann zwischen drei verschiedenen Längsvorschubgeschwindigkeiten und drei verschiedenen Quervorschubgeschwindigkeiten gewählt werden.

Beispiel für Längsdrehen:

Vorgang	Vorschub/UWahlknopf für Vorschub
Materialabtrag	0,34 mm III
Schlichten	0,17 mm II
Feinschlichten	0,085 mm I

HINWEIS: Je nach Umschaltzahnradanordnung sind zusätzliche Vorschubgeschwindigkeitsstufen verfügbar (Abb. 10-8).

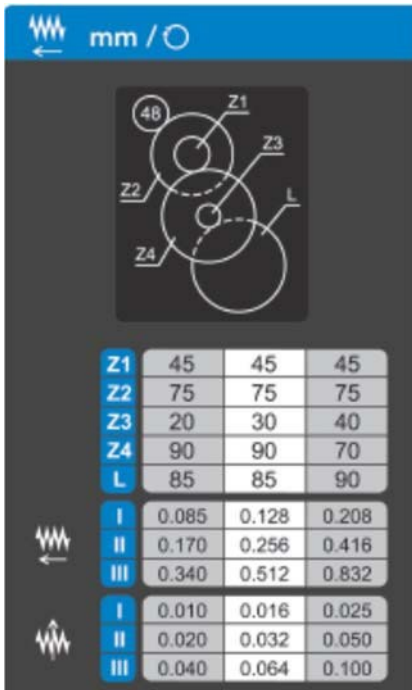


Abb. 10-8: Verfügbare Vorschubgeschwindigkeiten

Die korrekte Vorschubgeschwindigkeit hängt vom zu bearbeitenden Werkstoff, vom Bearbeitungsvorgang, vom Werkzeugtyp, von der Steifigkeit der Aufspannung des Werkstücks und von der gewünschten Oberflächengüte ab.

Beim Schruppen großer Durchmesser die Schnitttiefe verringern!

10.7 Gewindeschneiden

Das Gewindeschneiden wird in mehreren Bearbeitungsdurchgängen mit einem Gewindeschneidwerkzeug ausgeführt.

Die Schnitttiefen sollten jeweils ca. 0,2 mm betragen und bei den Schlichtdurchgängen kleiner werden.

A) Zoll- und metrische Gewinde schneiden:

Die Maschine auf die gewünschte Gewindesteigung einstellen (Siehe Abschnitt 8-2).

Die niedrigstmögliche Spindeldrehzahl wählen.

Die Halbmutter (CC, Abb. 10-9) einrücken.

HINWEIS: Die Halbmutter muss während des gesamten Gewindeschneidprozesses eingerückt bleiben.

- Das Werkzeug für den Gewindeschneiddurchgang einrichten.
- Den Motor starten.

- Wenn sich das Werkzeug dem Schnittende nähert, den Motor stoppen und gleichzeitig das Werkzeug abrücken, so dass in diesem Abschnitt kein Gewinde eingearbeitet wird.

- Den Motor starten und auf die andere Drehrichtung umschalten und das Bearbeitungswerkzeug zum Anfangspunkt zurückbewegen.

Diese Schritte wiederholen, bis das gewünschte Ergebnis erreicht ist.

B) Metrische Gewinde unter Verwendung der Gewindeschneid-Wählscheibe schneiden

Bei den meisten metrischen Gewinden kann die Gewindeschneid-Wählscheibe (EE, Abb. 10-9) verwendet werden.

Die Halbmutter kann am Schnittende geöffnet werden. Dies ist dem Stoppen und Laufenlassen des Motors in umgekehrter Richtung vorzuziehen.

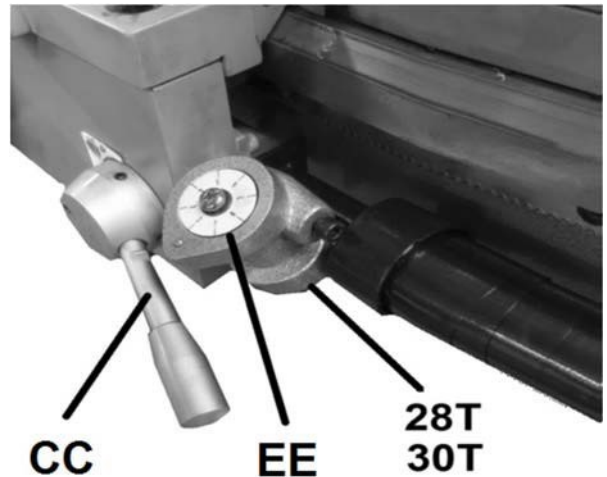


Abb. 10-9: Wählscheibe für Gewindeschneiden

Mit der Wählscheibe für Gewindeschneiden 28T oder 30T wählen

Die Halbmutter kann nur eingerückt werden, wenn die Teilstriche an der Wählscheibe für Gewindeschneiden exakt übereinanderstehen (Abb. 10-10).

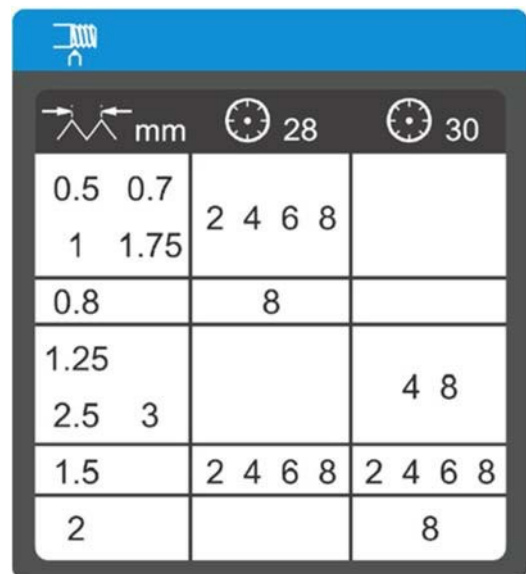


Abb. 10-10: Bohren

Hinweis:

Für die Gewindesteigungen 0,2/0,3/0,5/0,6/0,75/ 1,0/ 1,5/3 mm kann die Halbmutter an jedem beliebigen Zwischenpunkt eingerückt werden. (Leitspindelsteigung = 3 mm = kann durch Gewindesteigung dividiert werden).

10.8 Bohrvorgang

Ein Bohrfutter mit MT3-Dorn (Option) verwenden, um Zentrierbohrer und Spiralbohrer im Reitstock einzuspannen (Abb. 10-11).

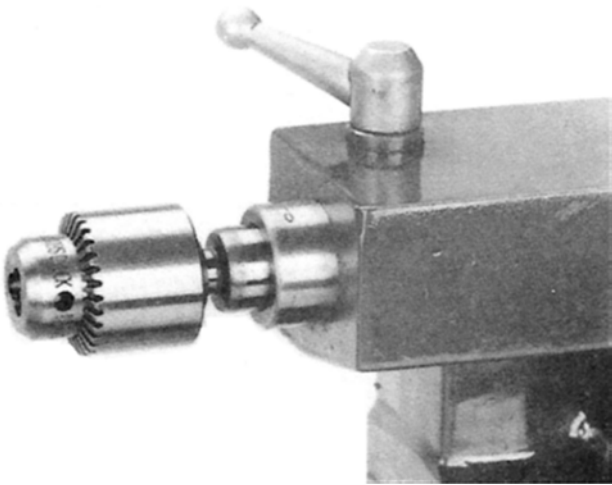


Abb. 10-11: Bohren

Zu den empfohlenen Drehzahlen siehe Abschnitt 10.4.

Zum Ausstoßen des Bohrfutters muss die Reitstockpinole ganz zurückbewegt werden.

11.0 Wartung seitens des Anwenders



WARNUNG:

Vor allen Arbeiten an der Maschine muss sie von der Stromversorgung getrennt werden. Dazu den Netzstecker ziehen. Bei Nichtbeachtung kann es zu schwerwiegenden Verletzungen kommen.

Die ordnungsgemäße Reinigung der Maschine, der Arbeitstische, des Betts, des Hauptschlittens und der anderen Schlitten, des Bodens und der Umgebung ist ein entscheidender Faktor für die Gewährleistung der Sicherheit.

Nicht gesicherte Gegenstände und Trümmer o.ä. können in Kontakt mit dem sich bewegenden Spannfutter oder Werkstück kommen, wodurch Gefahrensituationen entstehen.

Die Spänewanne regelmäßig ausleeren.

Das Kühlmittel regelmäßig wechseln; dabei die Herstelleranweisungen beachten.

Sicherstellen, dass alle Schrauben fest angezogen sind und die Elektrokabel in einwandfreiem Zustand sind. Ist ein Elektrokabel abgenutzt oder weist es Einschnitte oder andere Beschädigungen auf, muss es sofort ausgetauscht werden.

11.1 Schmierung

Die Spindellager sind dauergeschmiert und versiegelt. Es ist keine zusätzliche Schmierung erforderlich.

A) Wöchentlich Öl zuführen:

DIN 51502 CG ISO VG 68

(z.B. BP Maccurat 68, Castrol Magna BD 68, Mobil Vectra 2)

- 1...Kugeln der Umschaltzahnradnaben ölen
- 2...Bettführungsbahnen mit etwas Öl versehen
- 3...Reitstockpinole über die gesamte Länge ölen
- 4...Leitspindel über die gesamte Länge ölen
- 5...Kugel an der Leitspindelhalterung ölen
- 6...Kugeln am Oberschlitten ölen
- 7...Kugeln am Reitstock ölen
- 8...Kugeln am Hauptschlitten ölen
- 9...Kugeln am Schlosskasten ölen

B) Schmierfett monatlich zuführen:

DIN 51807-1 Schmierfett, das nicht abgeschleudert wird

(z.B. BP L2, Mobilgrease Special).

- 10...Zähne der Umschaltzahnräder mit Fett schmieren
- 11...Zahnstange über die gesamte Länge mit Fett versehen

Getriebeöl:

DIN 51517-2 CL ISO VG 68

(z.B. BP Energol HLP 68, Mobil DTE Oil Heavy Medium)

Der Ölpegel muss bis zur Anzeigemarke im Ölschauglas reichen (L, Abb. 11-1).

Bei Bedarf Öl einfüllen, nachdem der Stopfen (M) entfernt wurde.

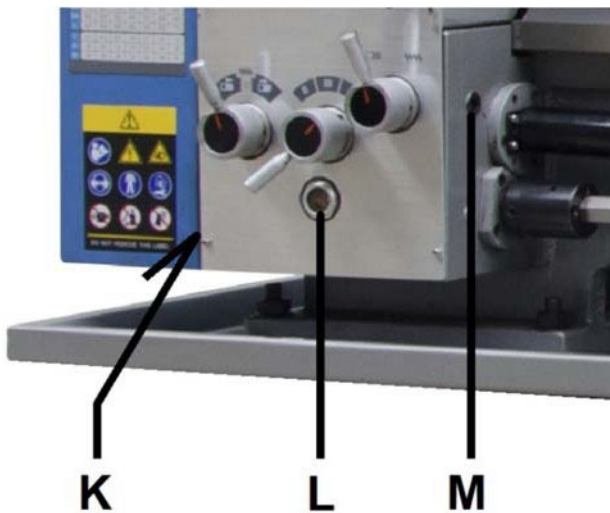


Abb. 11-1: Getriebeöl nachfüllen

Das Öl im Getriebe alle 1000 Betriebsstunden wechseln.
Den Ablassstopfen (K) entfernen. Danach kann das Öl abgelassen werden.

11.2 Nachjustieren

A) Lager einstellen:

Die Hauptspindel-Kegelrollenlager wurden werkseitig eingestellt.
Wird nach längerem Einsatz Axialspiel festgestellt, können die Lager neu eingestellt werden.

Die zwei Innensechskantschrauben (A, Abb. 11-2) lösen. Die Mutter (B) anziehen, bis kein Axialspiel mehr vorhanden ist.

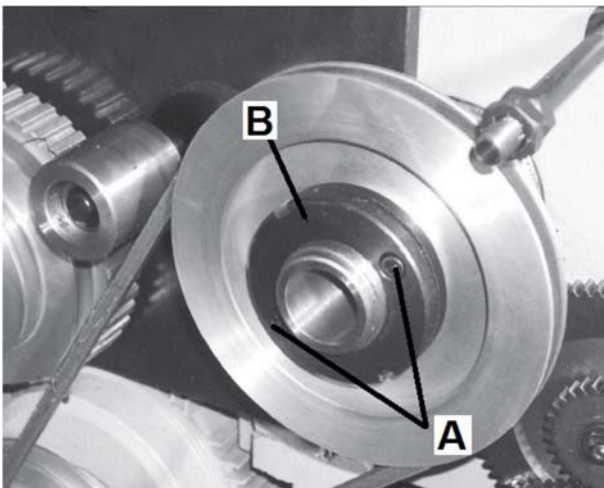


Abb. 11-2: Lager einstellen

Die Mutter nach und nach anziehen. Prüfen, ob die Spindel sich noch frei drehen kann. Durch eine zu hohe Vorspannung werden die Lager beschädigt.

Die Schrauben festziehen.

B) Querschlitten und Oberschlitten einstellen:

Jeder Schlitten ist mit einer Einstelleiste versehen (C, Abb. 11-3). Mithilfe der Schrauben (E), an denen Sicherungsmuttern angebracht sind, können Einstellungen vorgenommen werden.

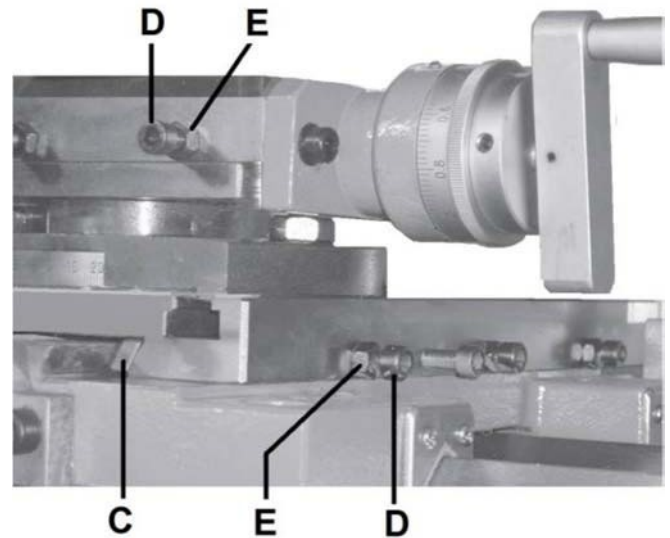


Abb. 11-3: Schlitten einstellen

Die Schlitten einstellen, bis sie sich frei und ohne Spiel bewegen können.

C) Querschlitten-Spindel einstellen

Den Oberschlitten abmontieren und die Madenschraube (F, Fig 11-4) einstellen, bis das Spiel zwischen Spindel und Mutter nicht mehr vorhanden ist.

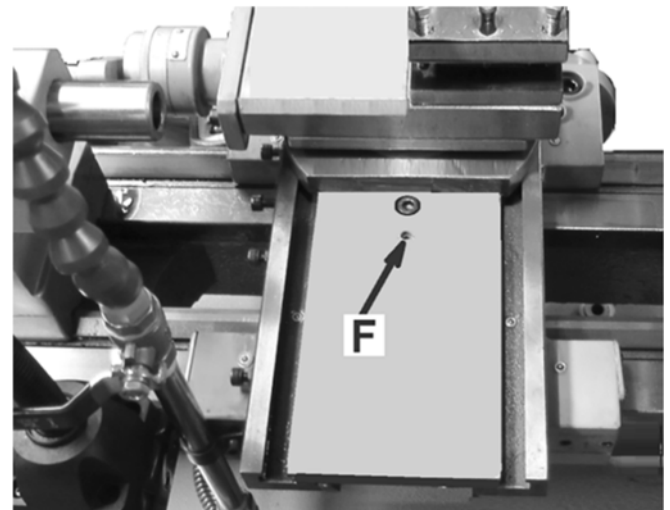


Abb. 11-4: Querschlitten-Spindel einstellen

12.0 Störungsbeseitigung

Symptom	Mögliche Ursache	Gegenmaßnahme*
Drehbank startet nicht.	Drehbank von Steckdose oder Generator getrennt.	Alle Steckeranschlüsse prüfen.
	Sicherung durchgebrannt oder Trennschalter wurde ausgelöst.	Sicherung ersetzen oder Trennschalter rückstellen.
	Kabel beschädigt.	Kabel ersetzen.
	Spannfutter-Schutzabdeckung nicht geschlossen.	Die Spannfutter-Schutzabdeckung schließen.
	Riemenscheibenabdeckung entfernt	Riemenscheibenabdeckung anbringen
Drehmaschine erreicht gewünschte Drehzahl nicht.	Verlängerungskabel zu dünn oder zu lang.	Durch Kabel von geeigneter Stärke und Länge ersetzen.
	Strom zu niedrig.	Einen qualifizierten Elektriker verständigen.
Drehbank vibriert zu stark.	Fuß bzw. Sockel auf unebenem Untergrund.	Drehbank auf ebene Fläche stellen.
	Drehmaschine nicht am Boden verschraubt	Drehmaschine am Boden anschrauben
	Werkstück nicht ausgewuchtet	Drehzahl verringern
	Werkstück hängt durch	Einspannlänge/durchmesser verbessern, mit Reitstock abstützen
	Werkzeug hängt durch	Länge des Werkzeugs verringern
	Schlittenspiel	Schlitten korrekt einstellen
	Schlitten laufen trocken	Mit Öl schmieren
	Stumpfe Werkzeugschneide	Nachschärfen oder Werkzeug gegen neues austauschen
	Zerspannungsvolumen zu hoch	Schnitttiefe oder Vorschubgeschwindigkeit verringern
Zu laute Betriebsgeräusche	Umschaltzahnradnaben trocken.	Mit Öl schmieren.
	Umschaltzahnräder trocken	Mit Fett schmieren.
Brandflecke an der Werkzeugschneide	Bearbeitungsgeschwindigkeit zu hoch.	Spindeldrehzahl verringern
	Stumpfe Werkzeugschneide.	Nachschärfen oder Werkzeug gegen neues austauschen
	Trockene Bearbeitung.	Kühlmittel verwenden.
	Zustellung zu langsam.	Vorschubgeschwindigkeit erhöhen.
Maschine dreht Kegel.	Reitstock nicht korrekt ausgerichtet.	Reitstockposition korrigieren.
	Maschinenbett verzogen.	Ständeraufsetzfläche muss eben und flach sein. Bei Bedarf Beilagscheiben verwenden.
	Werkstück hängt durch.	Schnitttiefe oder Vorschubgeschwindigkeit verringern
Bohrfutter oder Dorn bleibt nicht an der gleichen Stelle.	Schmutz, Fett o.ä. an Dorn, Futter oder Reitstockpinole.	Alle Passflächen gründlich mit einem Reinigungs-/Entfettungsmittel reinigen.

* **WARNUNG:** Einige Korrekturen und Abhilfemaßnahmen müssen u.U. von einem qualifizierten Elektriker durchzuführen.

Tabelle 1

13.0 Umweltschutz

Schützen Sie die Umwelt.

Sämtliche Verpackungsmaterialien umweltfreundlich entsorgen.

Kühlmittel umweltfreundlich entsorgen.

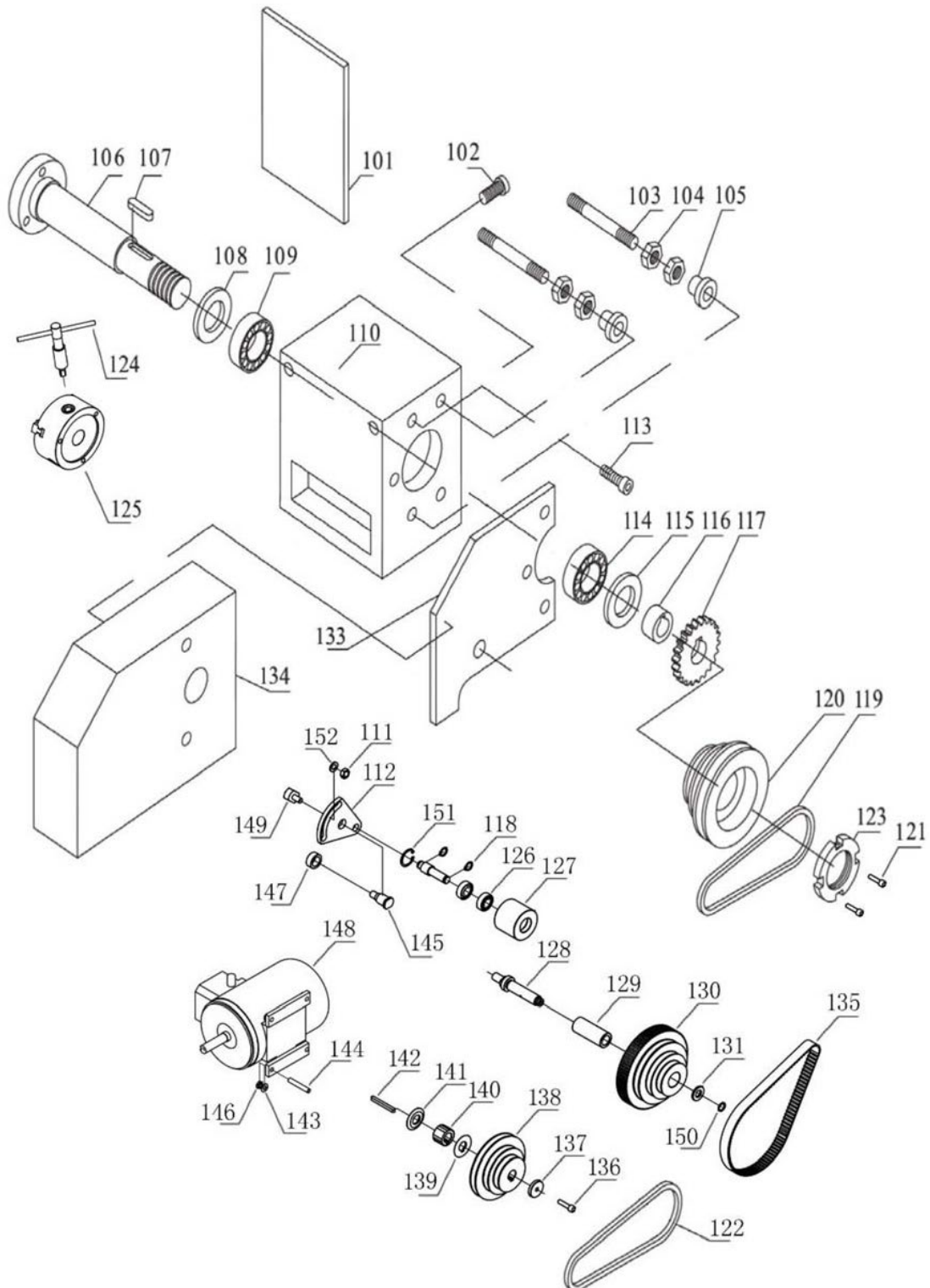
Ihre Maschine enthält wertvolle Materialien, die zurückgewonnen bzw. wiederverwertet werden können. Bitte die Entsorgung von einem Fachunternehmen ausführen lassen.

14.0 Verfügbares Zubehör

Siehe die Preisliste von PROMAC.

15.0. Ersatzteile

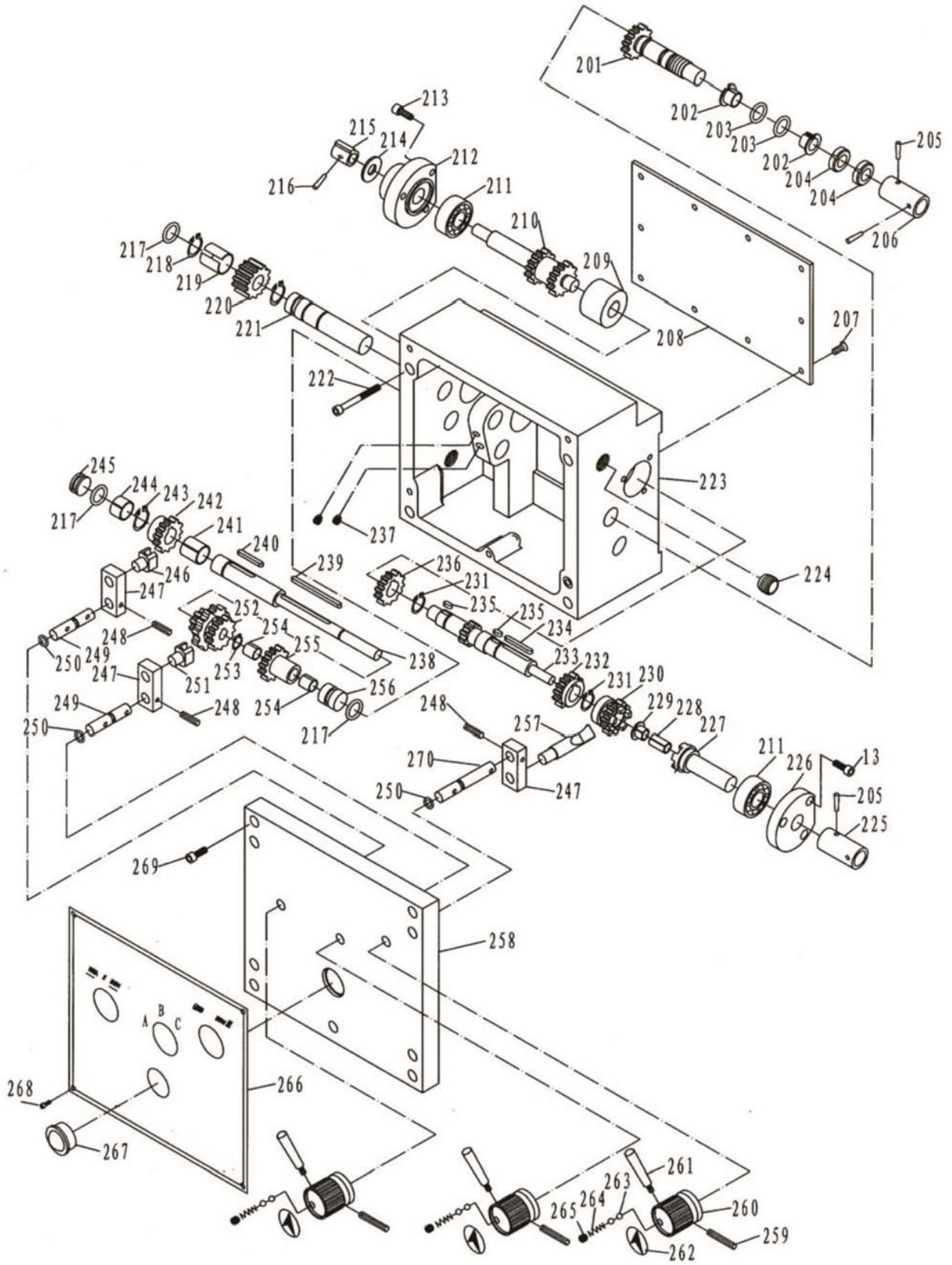
PBD-3069 Explosionszeichnung - 1



PBD-3069 Teileliste Explosionszeichnung - 1

Index Nr.	Teil Nr.	Beschreibung	Größe	Anz.
101	PBD3069-1-01	AUFKLEBER		1
102	PBD3069-1	INNENSECHSKANTSCHRAUBE	DIN 912 Φ 4 x 10	6
103	PBD3069-1-03	SCHRAUBE		2
104	PBD3069-2	MUTTER	DIN 439-M10	4
105	PBD3069-3	RÄNDELMUTTER	M10	2
106	PBD3069-1-06	SPINDEL		1
107	PBD3069-4	KEIL	DIN 6885-8 x 45	1
108	PBD3069-1-08	DICHTUNG		1
109	TRB-30212	LAGER	30212	1
110	PBD3069-1-10	SPINDELSTOCK		1
111	PBD3069-5	SECHSKANTMUTTER	DIN 439 - M8	1
112	PBD3069-1-12	EXZENTERSCHEIBE ZWISCHENRAD		1
113	PBD3069-6	INNENSECHSKANTSCHRAUBE	DIN 912 M8 x 25	3
114	TRB-32211	LAGER	32211	1
115	PBD3069-1-15	DICHTUNG		1
116	PBD3069-1-16	BUCHSE		1
117	PBD3069-1-17	ZAHNRAD		1
118	PBD3069-7	SICHERUNGSRING	DIN 471-12 x 1	2
119	PBD3069-1-19	GATES RIEMEN	O-889	1
120	PBD3069-1-20	SPINDELRIEMENSCHLEIFE		1
121	PBD3069-8	INNENSECHSKANTSCHRAUBE	M5 x 12	2
122	PBD3069-1-22	GATES RIEMEN	O-710	1
123	PBD3069-1-23	MUTTER		1
124	PBD3069-1-24	FUTTERSCHLÜSSEL		1
125	PBD3069-1-25	3-BACKEN-SPANNFUTTER	K11-160	1
126	BB-6001	LAGER	6001	2
127	PBD3069-1-27	ZWISCHENRAD		1
128	PBD3069-1-28	WELLE		1
129	PBD3069-1-29	GEHÄUSE		1
130	PBD3069-1-30	ZAHNRIEMENSCHLEIFE		1
131	PBD3069-9	SCHLEIFE FÜR ZAHNRIEMENSCHLEIFE		1
133	PBD3069-1-33	HALTEPLATTE		1
134	PBD3069-1-34	RIEMENABDECKUNG		1
135	PBD3069-1-35	ZAHNRIEMEN	255L075	1
136	PBD3069-10	INNENSECHSKANTSCHRAUBE	GB 70-85 - M6 x 25	1
137	PBD3069-11	FIXIERSCHLEIFE		1
138	PBD3069-1-38	MOTORRIEMENSCHLEIFE		1
139	PBD3069-1-39	ANGEFLANSCHTESCHLEIFE VORNE		1
140	PBD3069-1-40	ZAHNRIEMENSCHLEIFE		1
141	PBD3069-1-41	ANGEFLANSCHTESCHLEIFE HINTEN		1
142	PBD3069-12	KEIL	DIN 6885-A6 x 6 x 50	1
143	PBD3069-13	UNTERLEGSCHLEIFE	DIN 125 - A8	1
144	PBD3069-1-144	SCHRAUBE		4
145	PBD3069-1-45	SCHRAUBE		1
146	PBD3069-15	SECHSKANTMUTTER	ISO 4032 M8	4
147	PBD3069-1-47	DISTANZSTÜCK		1
148	PBD3069-1-48	MOTOR	1,1 kW	1
149	PBD3069-1-49	KLEMMSTÜCK		1
150	PBD3069-16	SICHERUNGSRING	DIN 471 - 12 x 1	1
151	PBD3069-17	SICHERUNGSRING	DIN 471 - 28 x 1.2	1
152	PBD3069-18	UNTERLEGSCHLEIFE	DIN 125 - A8	1

PBD-3069 Explosionszeichnung - 2



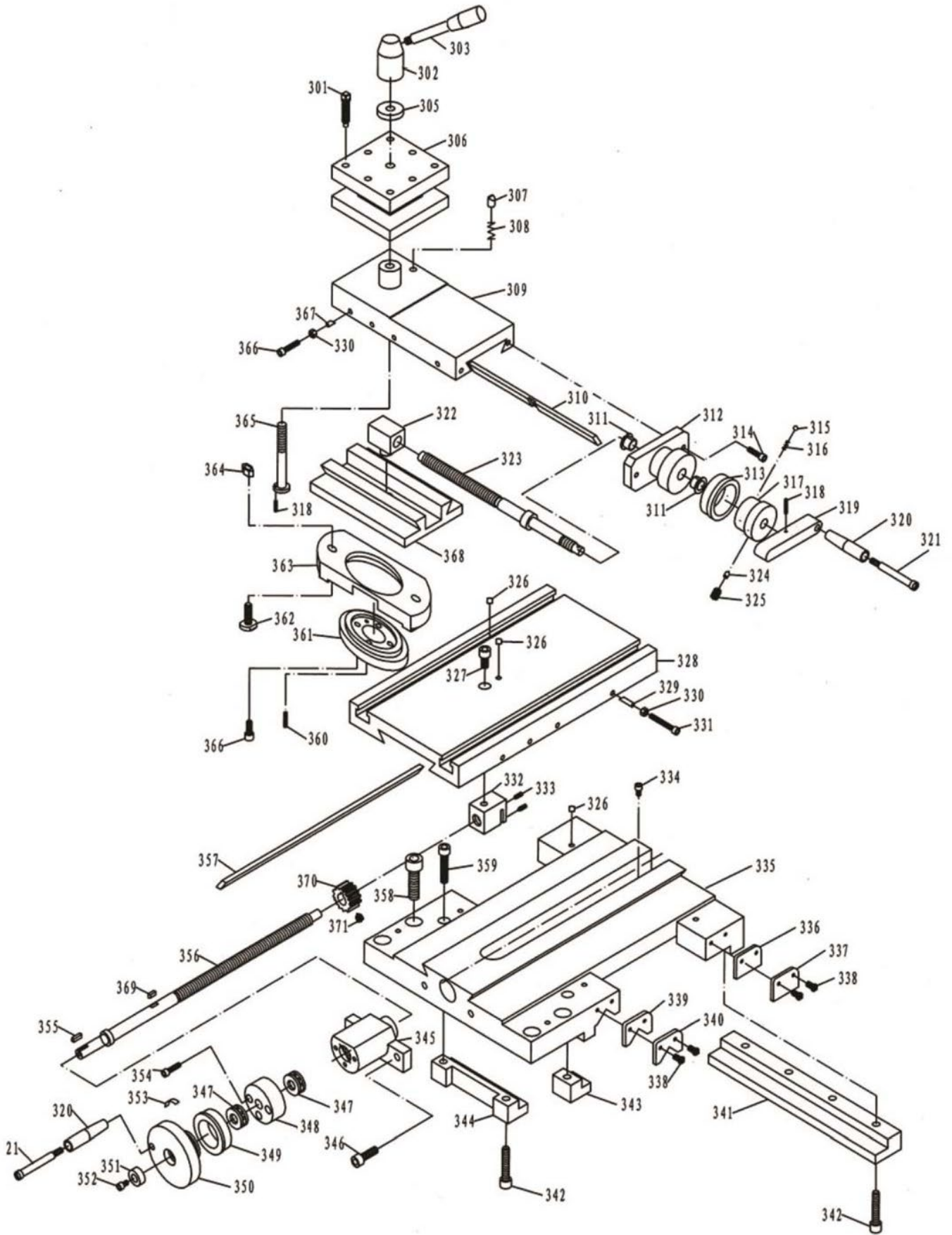
PBD-3069 Teileliste Explosionszeichnung - 2

Index Nr.	Teil Nr.	Beschreibung	Größe	Anz.
201	PBD3069-2-01	GETRIEBEWELLE		1
202	PBD3069-2-02	LAGER	16170	2
203	PBD3069-19	O-RING	18001400	2
204	PBD3069-2-04	MUTTER DIN 1804	M16 x 1,5	2
205	PBD3069-20	PIN DIN 1481	Φ3 x 22	2
206	PBD3069-2-06	RING		1
207	PBD3069-21	INNENSECHSKANTSCHRAUBE	DIN 912 M5 x 8	10
208	PBD3069-2-08	ABDECKUNG		1
209	PBD3069-2-09	RING		1
210	PBD3069-2-10	GETRIEBEWELLE		1
211	BB-6202	LAGER	6202	2
212	PBD3069-2-12	LINKER STOPFEN		1
213	PBD3069-22	INNENSECHSKANTSCHRAUBE	DIN 912 M5 x 12	6
214	PBD3069-23	UNTERLEGSCHLEIFE	Φ10	1
215	PBD3069-2-15	KEIL		1
216	PBD3069-24	STIFT	DIN 1481 Φ4 x 14	1
217	PBD3069-25	O-RING	18001500	3
218	PBD3069-26	SPRENGRING	Φ18	2
219	PBD3069-2-19	LAGER	1815	1
220	PBD3069-2-20	ZAHNRAD		1
221	PBD3069-2-21	WELLE		1
222	PBD3069-27	INNENSECHSKANTSCHRAUBE	M6x50	4
223	PBD3069-2-23	GETRIEBE		1
224	PBD3069-2-24	GEWINDESTIFT	M16 x 1,5 x 12	2
225	PBD3069-2-25	RING		1
226	PBD3069-2-26	RECHTER STOPFEN		1
227	PBD3069-2-27	WELLE		1
228	PBD3069-2-28	LAGER	815	1
229	PBD3069-2-29	LAGER	8075	1
230	PBD3069-2-30	ZAHNRAD		1
231	PBD3069-28	SPRENGRING	Φ15	2
232	PBD3069-2-32	ZAHNRAD		1
233	PBD3069-2-33	WELLE		1
234	PBD3069-29	KEIL DIN 6885	4x25	1
235	PBD3069-30	KEIL DIN 6885	4x8	2
236	PBD3069-2-36	ZAHNRAD		1
237	PBD3069-31	GEWINDESTIFT	ISO4028-M6 x 10	2
238	PBD3069-2-38	WELLE		1
239	PBD3069-32	KEIL DIN 6885	4x50	1
240	PBD3069-33	KEIL DIN 6885	4x20	1
241	PBD3069-2-41	LAGER	1615	1
242	PBD3069-2-42	ZAHNRAD		1
243	PBD3069-34	SPRENGRING	Φ16	1
244	PBD3069-2-44	LAGER	1610	1
245	PBD3069-35	LINKER STOPFEN		1
246	PBD3069-2-46	GABEL		1
247	PBD3069-2-47	HALTERUNG		3
248	PBD3069-36	STIFT	DIN 1481 Φ3 x 20	3
249	PBD3069-2-49	WELLE		2

PBD-3069 Teileliste Explosionszeichnung - 2

Index Nr.	Teil Nr.	Beschreibung	Größe	Anz.
250.....	PBD3069-37.....	O-RING	1800690.....	3
251.....	PBD3069-2-51.....	GABEL		1
252.....	PBD3069-2-52.....	ZAHNRAD		1
253.....	PBD3069-38.....	SPRENGRING	Φ10.....	1
254.....	PBD3069-2-54.....	LAGER	1010.....	2
255.....	PBD3069-2-55.....	ZAHNRAD		1
256.....	PBD3069-2-56.....	RECHTER STOPFEN		1
257.....	PBD3069-2-57.....	WÄHLSCHEIBENBLOCK		1
258.....	PBD3069-2-58.....	GETRIEBEABDECKUNG.....		1
259.....	PBD3069-39.....	STIFT.....	DIN 1481 Φ5 × 40.....	3
260.....	PBD3069-2-60.....	KNAUF SOCKEL		3
261.....	PBD3069-2-61.....	KNAUF.....		3
262.....	PBD3069-2-62.....	AUFKLEBER		3
263.....	PBD3069-40.....	KUGEL.....	Φ5.....	6
264.....	PBD3069-2-64.....	FEDER.....	0.8×4×16	3
265.....	PBD3069-41.....	INNENSECHSKANTSCHRAUBE	DIN 912 M6 x 12	3
266.....	PBD3069-2-66.....	AUFKLEBER		1
267.....	PBD3069-2-67.....	ÖLSCHAUGLAS		1
268.....	PBD3069-42.....	INNENSECHSKANTSCHRAUBE	DIN 912 M3 x 16	4
269.....	PBD3069-43.....	INNENSECHSKANTSCHRAUBE	DIN 912 M5 x 16	5
270.....	PBD3069-2-70.....	WELLE		1

PBD-3069 Explosionszeichnung - 3



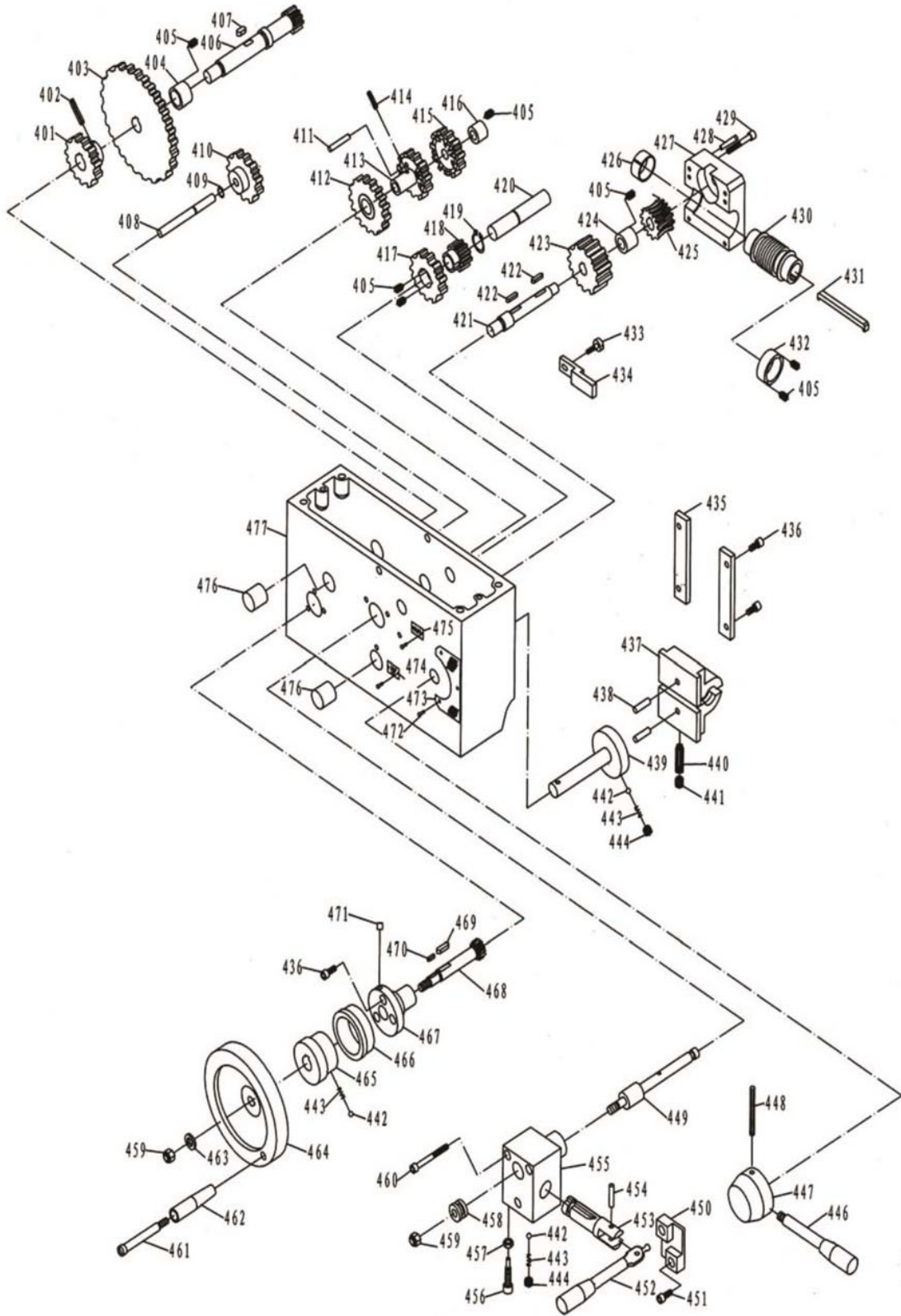
PBD-3069 Teileliste Explosionszeichnung - 3

Index Nr.	Teil Nr.	Beschreibung	Größe	Anz.
301	PBD3069-3-01	SCHRAUBE	DIN 912 M8 x 30	8
302	PBD3069-3-02	GRIFFSOCKEL		1
303	PBD3069-3-03	GRIFF		1
305	PBD3069-3-05	UNTERLEGSCHLEIBE		1
306	PBD3069-3-06	HALTERSOCKEL		1
307	PBD3069-3-07	STOP		1
308	PBD3069-3-08	FEDER	7x0.8x11	1
309	PBD3069-3-09	OBERSCHIEBER		1
310	PBD3069-3-10	FÜHRUNGSLEISTE		1
311	PBD3069-3-11	ÖLLOSES LAGER	1210	2
312	PBD3069-3-12	NABE		1
313	PBD3069-3-13	INDEXRING		1
314	PBD3069-44	INNENSECHSKANTSCHRAUBE	DIN 912 M6 x 20	2
315	PBD3069-45	KUGEL	Φ5	1
316	PBD3069-3-16	FEDER	1.5x0.5x6.5	1
317	PBD3069-3-17	INDEX-SOCKEL		1
318	PBD3069-46	STIFT	DIN 1481 Φ3 x 16	2
319	PBD3069-3-19	HEBEL		1
320	PBD3069-3-20	HEBEL		2
321	PBD3069-3-21	WELENHEBEL		2
322	PBD3069-3-22	BLOCK		1
323	PBD3069-3-23	SCHRAUBE		1
324	PBD3069-47	STECKER		3
325	PBD3069-48	GEWINDESTIFT	DIN 912 M6 x 10	3
326	PBD3069-49	ÖLKUGEL	Φ6	7
327	PBD3069-50	INNENSECHSKANTSCHRAUBE	DIN 912 M8 x 10	1
328	PBD3069-3-28	QUERSCHLITTEN		1
329	PBD3069-51	STECKER		4
330	PBD3069-52	SECHSKANTMUTTER	DIN 439 M6	8
331	PBD3069-53	INNENSECHSKANTSCHRAUBE	DIN 912 M6 x 30	4
332	PBD3069-3-32	BLOCK		1
333	PBD3069-54	INNENSECHSKANTSCHRAUBE	DIN 912 M4 x 8	2
334	PBD3069-55	INNENSECHSKANTSCHRAUBE	DIN 912 M5 x 6	1
335	PBD3069-3-35	SCHLITTEN		1
336	PBD3069-3-36	ABSTREIFER		2
337	PBD3069-3-37	PLATTE		2
338	PBD3069-56	INNENSECHSKANTSCHRAUBE	DIN 912 M4 x 18	8
339	PBD3069-3-39	ABSTREIFER		2
340	PBD3069-3-40	PLATTE		2
341	PBD3069-3-41	LEISTE		1
342	PBD3069-57	INNENSECHSKANTSCHRAUBE	DIN 912 M8 x 30	4
343	PBD3069-3-43	LEISTE		1
344	PBD3069-3-44	LEISTE		1
345	PBD3069-3-45	HALTERUNG		1
346	PBD3069-58	INNENSECHSKANTSCHRAUBE	DIN 912 M5 x 20	3
347	TBB-51101	LAGER	51101	2
348	PBD3069-3-48	RING		1
349	PBD3069-3-49	INDEXRING		1

PBD3069 Teileliste Explosionszeichnung - 3

Index Nr.	Teil Nr.	Beschreibung	Größe	Anz.
350	PBD3069-3-50	HANDRAD		1
351	PBD3069-3-51	UNTERLEGSCHIEBE		1
352	PBD3069-59	INNENSECHSKANTSCHRAUBE	DIN 912 M5 x 10	1
353	PBD3069-3-53	FEDER		1
354	PBD3069-60	INNENSECHSKANTSCHRAUBE	DIN 912 M5 x 20	3
355	PBD3069-3-55	KEIL	DIN 6885 4 x 8	1
356	PBD3069-3-56	LEITSPINDEL		1
357	PBD3069-3-57	FÜHRUNGSLEISTE		1
358	PBD3069-61	INNENSECHSKANTSCHRAUBE	DIN 912 M12 x 30	2
359	PBD3069-62	INNENSECHSKANTSCHRAUBE	DIN 912 M8 x 40	2
360	PBD3069-63	STIFT	DIN 1481 Ø4 x 20	1
361	PBD3069-3-61	SKALENRING		1
362	PBD3069-3-62	T-BOLZEN	M10 x 30	2
363	PBD3069-3-63	KLEMMRING		1
364	PBD3069-64	MUTTER	DIN 439 M10	2
365	PBD3069-3-65	SCHRAUBE		1
366	PBD3069-65	INNENSECHSKANTSCHRAUBE	DIN 912 M6 x 16	8
367	PBD3069-66	STECKER		4
368	PBD3069-3-68	SCHWENKSOCKEL		1
369	PBD3069-67	KEIL	DIN 6885 4 x 10	1
370	PBD3069-3-70	ZAHNRAD		1
371	PBD3069-68	INNENSECHSKANTSCHRAUBE	DIN 912 M5 x 16	1

PBD-3069 Explosionszeichnung - 4



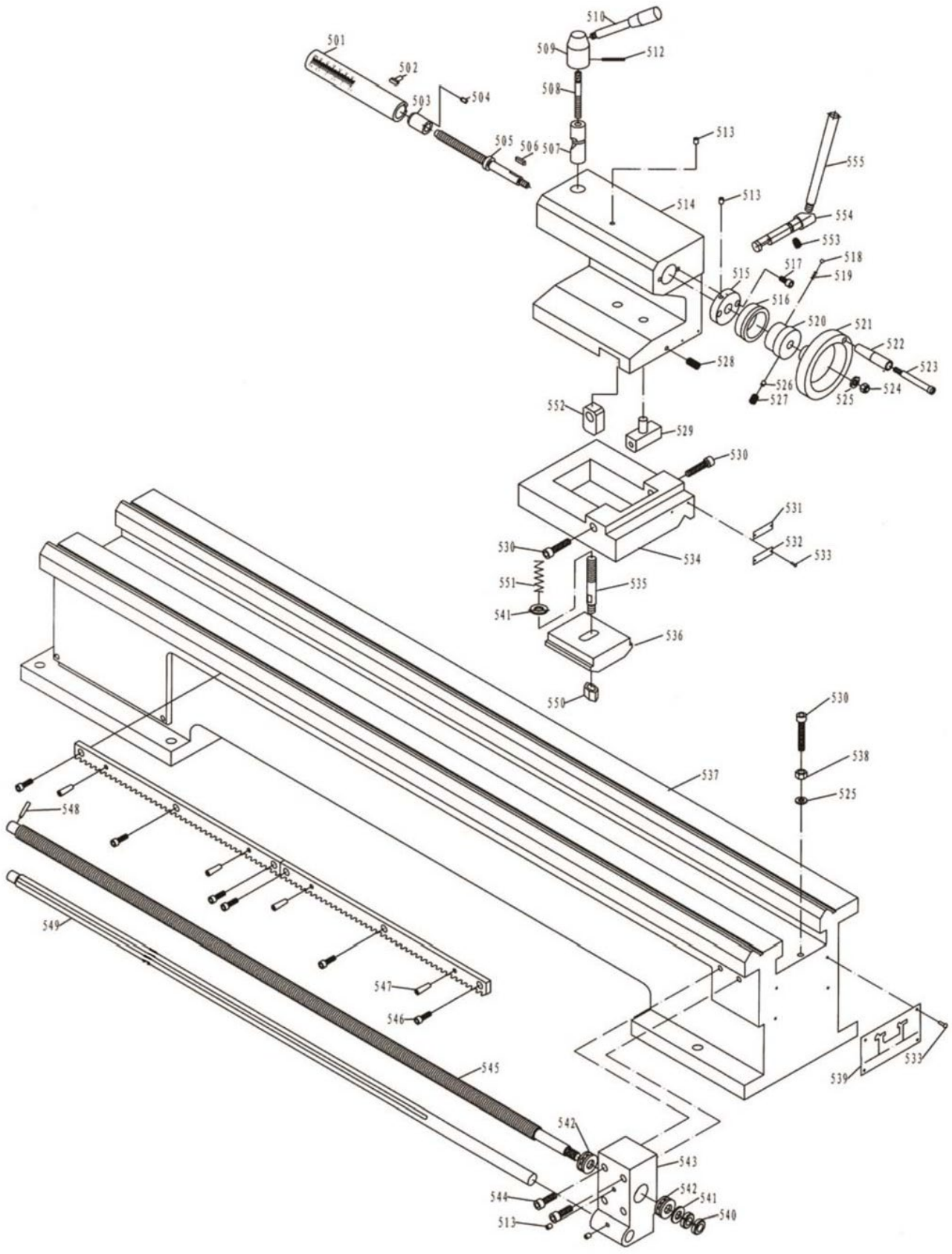
PBD-3069 Teileliste Explosionszeichnung - 4

Index Nr.	Teil Nr.	Beschreibung	Größe	Anz.
401.....	PBD3069-4-01.....	ZAHNRAD.....		1
402.....	PBD3069-69.....	STIFT.....	DIN 1481 Ø5 x 24.....	1
403.....	PBD3069-4-03.....	ZAHNRAD.....		1
404.....	PBD3069-4-04.....	UNTERLEGSCHNEIBE.....		1
405.....	PBD3069-70.....	INNENSECHSKANTSCHRAUBE.....	DIN 912 M4 x 8.....	7
406.....	PBD3069-4-06.....	GETRIEBEWELLE.....		1
407.....	PBD3069-71.....	KEIL.....	DIN 6885 4 x 8.....	1
408.....	PBD3069-4-08.....	WELLE.....		1
409.....	PBD3069-72.....	SPRENGRING.....	DIN 127 Ø 8.....	1
410.....	PBD3069-4-10.....	ZAHNRAD.....		1
411.....	PBD3069-4-11.....	WELLE.....		3
412.....	PBD3069-4-12.....	ZAHNRAD.....		1
413.....	PBD3069-4-13.....	ZAHNRAD.....		1
414.....	PBD3069-73.....	STIFT.....	DIN 1481 Ø4 x 16.....	1
415.....	PBD3069-4-15.....	ZAHNRAD.....		1
416.....	PBD3069-4-16.....	UNTERLEGSCHNEIBE.....		1
417.....	PBD3069-4-17.....	ZAHNRAD.....		1
418.....	PBD3069-4-18.....	ZAHNRAD.....		1
419.....	PBD3069-74.....	SPRENGRING.....	DIN 127-Ø15.....	1
420.....	PBD3069-4-20.....	WELLE.....		1
421.....	PBD3069-4-21.....	WELLE.....		1
422.....	PBD3069-75.....	KEIL.....	DIN 6885-5 x 14.....	2
423.....	PBD3069-4-23.....	ZAHNRAD.....		1
424.....	PBD3069-4-24.....	UNTERLEGSCHNEIBE.....		1
425.....	PBD3069-4-25.....	SCHNECKE.....		1
426.....	PBD3069-4-26.....	LAGER.....	2501.....	1
427.....	PBD3069-4-27.....	SCHNECKENSOCKEL.....		1
428.....	PBD3069-76.....	STIFT.....	DIN 1481-Ø4 x 20.....	2
429.....	PBD3069-77.....	INNENSECHSKANTSCHRAUBE.....	DIN 912-M4 x 30.....	4
430.....	PBD3069-4-30.....	SCHNECKE.....		1
431.....	PBD3069-78.....	KEIL.....		1
432.....	PBD3069-4-32.....	UNTERLEGSCHNEIBE.....		1
433.....	PBD3069-4-33.....	GEWINDESTIFT.....	DIN 912-M4 x 8.....	2
434.....	PBD3069-4-34.....	PLATTE.....		1
435.....	PBD3069-4-35.....	PLATTE.....		2
436.....	PBD3069-79.....	INNENSECHSKANTSCHRAUBE.....	DIN 912-M5 x 12.....	7
437.....	PBD3069-4-37.....	HALBMUTTER.....		1
438.....	PBD3069-80.....	STIFT.....	DIN 1481-Ø6 x 18.....	2
439.....	PBD3069-4-39.....	NOCKENWELLE.....		1
440.....	PBD3069-81.....	INNENSECHSKANTSCHRAUBE.....	DIN 912-M6 x 20.....	1
441.....	PBD3069-82.....	INNENSECHSKANTSCHRAUBE.....	DIN 912-M6 x 8.....	1
442.....	PBD3069-83.....	KUGEL.....	Ø5.....	3
443.....	PBD3069-4-43.....	FEDER.....	0.7x4x10.....	3
444.....	PBD3069-84.....	INNENSECHSKANTSCHRAUBE.....	DIN 912-M6 x 6.....	2
446.....	PBD3069-4-46.....	GRIFF.....		1
447.....	PBD3069-4-47.....	GRIFFSOCKEL.....		1
448.....	PBD3069-85.....	STIFT.....	DIN 1481-Ø5 x 45.....	1
449.....	PBD3069-4-49.....	WELLE.....		1

PBD-3069 Teileliste Explosionszeichnung - 4

Index Nr.	Teil Nr.	Beschreibung	Größe	Anz.
450.....	PBD3069-4-50.....	SOCKEL.....		1
451.....	PBD3069-86.....	INNENSECHSKANTSCHRAUBE.....	DIN 912-M5 x 10.....	6
452.....	PBD3069-4-52.....	GRIFF WELLE.....		1
453.....	PBD3069-4-53.....	GABEL WELLE.....		1
454.....	PBD3069-87.....	STIFT.....	DIN 1481-Φ5 x 20.....	1
455.....	PBD3069-4-55.....	SOCKEL.....		1
456.....	PBD3069-88.....	INNENSECHSKANTSCHRAUBE.....	DIN 912-M6 x 20.....	1
457.....	PBD3069-89.....	MUTTER.....	DIN 439-M6.....	1
458.....	PBD3069-4-58.....	SCHALTHEBEL.....		1
459.....	PBD3069-90.....	MUTTER.....	DIN 439 - M8.....	2
460.....	PBD3069-91.....	INNENSECHSKANTSCHRAUBE.....	DIN 912-M5 x 35.....	2
461.....	PBD3069-4-61.....	GRIFF WELLE.....		1
462.....	PBD3069-4-62.....	KNAUF.....		1
463.....	PBD3069-92.....	UNTERLEGSCHLEIBE.....	DIN 6340-Φ8.....	1
464.....	PBD3069-4-64.....	HANDRAD.....		1
465.....	PBD3069-4-65.....	WELLE.....		1
466.....	PBD3069-4-66.....	SKALENRING.....		1
467.....	PBD3069-4-67.....	HALTERUNG.....		1
468.....	PBD3069-4-68.....	WELLE.....		1
469.....	PBD3069-93.....	KEIL.....	DIN 6885-5 x 14.....	1
470.....	PBD3069-94.....	KEIL.....	DIN 6885-3 x 10.....	1
471.....	PBD3069-95.....	ÖLKUGEL.....	Φ6.....	1
472.....	PBD3069-96.....	NIET.....	Φ2 x 6.....	3
473.....	PBD3069-4-73.....	PLATTE.....		1
474.....	PBD3069-4-74.....	PLATTE.....		1
475.....	PBD3069-4-75.....	PLATTE.....		1
476.....	PBD3069-4-76.....	RING.....		1
477.....	PBD3069-4-77.....	SCHLOSSKASTEN.....		1

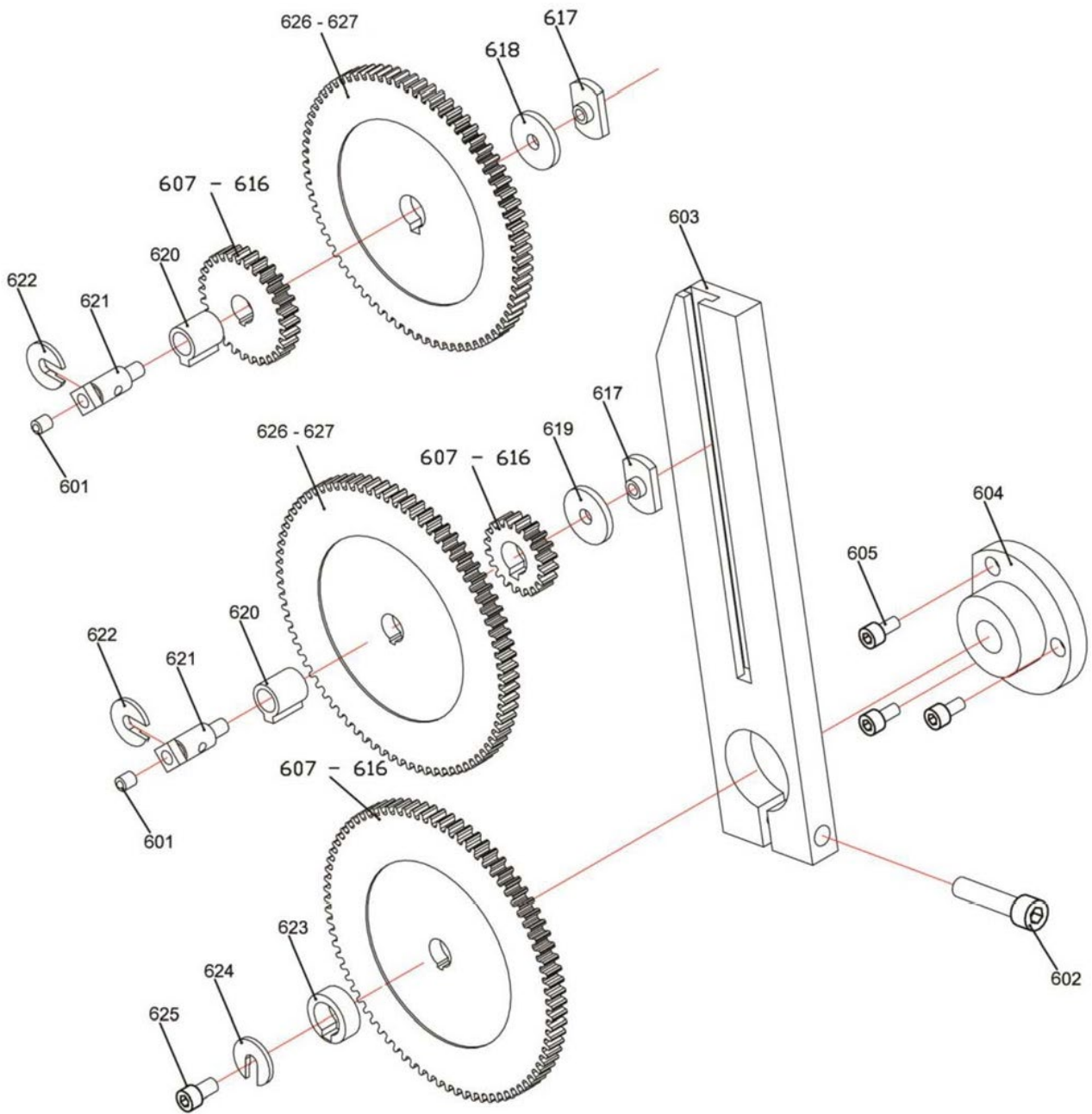
PBD-3069 Explosionszeichnung - 5



PBD-3069 Teileliste Explosionszeichnung - 5

Index Nr.	Teil Nr.	Beschreibung	Größe	Anz.
501	PBD3069-5-01	PINOLE		1
502	PBD3069-97	KEIL		1
503	PBD3069-5-03	MUTTER		1
504	PBD3069-98	INNENSECHSKANTSCHRAUBE	DIN 912-M6 x 10	1
505	PBD3069-5-05	SCHRAUBE		1
506	PBD3069-99	KEIL	DIN 6885-4 x 10	1
507	PBD3069-5-07	DREHBLOCK		1
508	PBD3069-5-08	SCHRAUBE		1
509	PBD3069-5-09	GRIFFSOCKEL		1
510	PBD3069-5-10	GRIFF		1
512	PBD3069-100	STIFT	DIN 1481-Ø3 x 30	1
513	PBD3069-101	ÖLKUGEL	Ø6	4
514	PBD3069-5-14	REITSTOCKKÖRPER		1
515	PBD3069-5-15	FLANSCHDECKEL		1
516	PBD3069-5-16	INDEXRING		1
517	PBD3069-102	INNENSECHSKANTSCHRAUBE	DIN 912-M6 x 10	2
518	PBD3069-103	KUGEL	Ø4	1
519	PBD3069-5-19	FEDER	Ø4 x 1 x 6	1
520	PBD3069-5-20	HÜLSE		1
521	PBD3069-5-21	HANDRAD		1
522	PBD3069-5-22	KNAUF		1
523	PBD3069-5-23	SCHRAUBE		1
524	PBD3069-104	MUTTER	DIN 439 - M8	1
525	PBD3069-105	UNTERLEGSCHLEIBE	DIN 6340-Ø8	6
526	PBD3069-5-26	BREMSBLOCK		1
527	PBD3069-106	INNENSECHSKANTSCHRAUBE	DIN 912-M6 x 10	1
528	PBD3069-107	INNENSECHSKANTSCHRAUBE	DIN 912-M6 x 16	1
529	PBD3069-5-29	GEWINDESTIFT		1
530	PBD3069-108	INNENSECHSKANTSCHRAUBE	DIN 912-M8 x 40	3
531	PBD3069-5-31	PLATTE		1
532	PBD3069-5-32	PLATTE		1
533	PBD3069-109	NIET	Ø2 x 6	8
534	PBD3069-5-34	SOCKEL		1
535	PBD3069-5-35	SCHRAUBE		1
536	PBD3069-5-36	KLEMMPLATTE		1
537	PBD3069-5-37	BETT		1
538	PBD3069-110	MUTTER	DIN 439 - M8	5
539	PBD3069-5-39	PLATTE		1
540	PBD3069-111	MUTTER	DIN 1804-M12 x 1,25	2
541	PBD3069-112	UNTERLEGSCHLEIBE	DIN 6340-Ø12	2
542	TBB-51102	LAGER	51102	2
543	PBD3069-5-43	HALTERUNG		1
544	PBD3069-113	INNENSECHSKANTSCHRAUBE	DIN 912-M8 x 20	2
545	PBD3069-5-45	VORSCHUBWELLE		1
546	PBD3069-114	INNENSECHSKANTSCHRAUBE	DIN 912-M6 x 15	6
547	PBD3069-115	STIFT	DIN 1481-Ø6 x 22	4
548	PBD3069-116	STIFT	DIN 1481-Ø4 x 22	1
549	PBD3069-5-49	WELLE		1
550	PBD3069-117	MUTTER	DIN 439-M12	1
551	PBD3069-5-51	FEDER	Ø13 x 1 x 62	1
552	PBD3069-5-52	BREMSBLOCK		1
553	PBD3069-118	INNENSECHSKANTSCHRAUBE	DIN 912-M6 x 10	1
554	PBD3069-5-54	WELLE		1
555	PBD3069-5-55	GRIFF		1

PBD-3069 Explosionszeichnung - 6



PBD-3069 Teileliste Explosionszeichnung - 6

Index Nr.	Teil Nr.	Beschreibung	Größe	Anz.
601	PBD3069-119	KUGELÖLER	Φ6	2
602	PBD3069-120	INNENSECHSKANTSCHRAUBE	M8 x 35 mm	1
603	PBD3069-6-03	SCHIENE		1
604	PBD3069-6-04	HALTERUNG		1
605	PBD3069-121	INNENSECHSKANTSCHRAUBE	M5 x 10 mm	3
607	PBD3069-6-07	ZAHNRAD	85	1
608	PBD3069-6-08	ZAHNRAD	80	1
609	PBD3069-6-09	ZAHNRAD	75	1
610	PBD3069-6-10	ZAHNRAD	70	1
611	PBD3069-6-11	ZAHNRAD	65	1
612	PBD3069-6-12	ZAHNRAD	60	2
613	PBD3069-6-13	ZAHNRAD	50	1
614	PBD3069-6-14	ZAHNRAD	45	1
615	PBD3069-6-15	ZAHNRAD	30	1
616	PBD3069-6-16	ZAHNRAD	20	1
617	PBD3069-6-17	T-NUTENSTEIN	M5	2
618	PBD3069-6-18	DISTANZSTÜCK	1,5 mm	1
619	PBD3069-6-19	DISTANZSTÜCK	3 mm	1
620	PBD3069-6-20	HÜLSE		2
621	PBD3069-6-21	GEWINDEWELLE		2
622	PBD3069-6-22	C-UNTERLEGSCHIEBE		2
623	PBD3069-6-23	RING		1
624	PBD3069-6-24	C-UNTERLEGSCHIEBE		1
625	PBD3069-6-25	INNENSECHSKANTSCHRAUBE	M6 x 10 mm	1
626	PBD3069-6-26	ZAHNRAD	90	1
627	PBD3069-6-27	ZAHNRAD	40	1

16.0 Schaltplan

PBD-3069 1~230 V, PE, 50 Hz

DREH-
ZAHL-
ANZEIG

X3 Diagramm

PBD-3069 Elektrik-Teilleiste

GEGEN- STAND	BESCHREIBUNG	TYP	SPEZIFIKATION	Anz.	Hinweis
SB1	Magnetschütz	KJD17GF	IP-55 AC-1 18A Ue250V AC-3 15A CE	1	
SA1	Schalter Vorwärts/0/Rückwärts	ZH-A	Ue 250V IEN 12A 5E4 CE	1	
KM	Schütz	LC1K0910	UI 690V IEN 20A CE	1	
TC1	Transformator	230V/24V/20VA	20 VA 230 VAC CE	1	
TC2	Transformator	230V-24V/20VA	20 VA 230 VAC CE	1	Option
QS1	Not-Aus	LAY5	AE-15 240V IEN 10A CE	1	
SQ1	Schalter Radabdeckung	QKS8	AC-15 14A 250V IP54 CE	1	
SQ2	Schalter Spannfutterschutz- abdeckung	LXW5-11Q1	AC-15 3A IP62 Ue380V CE	1	
SB2	Leuchenschalter	KCD1-101	6 A AC 250 V CE	1	Option
HR	Arbeitsleuchte	24V	5 W AC12-24 V CE	1	Option
SA2	Pumpenschalter	LAY5-BE101	Ue220V IEN3.3A AC-15 CE	1	Option
M1	Hauptmotor	YLJ90L4-12A	1,1 Kw AC 230 V 6,4 A IP54 CE	1	
M2	Pumpe	DB-12A	40 W AV230 V 0,9 A IP54 CE	1	Option

1.0 Concernant ce manuel

Ce manuel est fourni par PROMAC et traite les procédures de fonctionnement et d'entretien sûres du tour à métaux PROMAC, modèle PBD-3069. Ce manuel contient des instructions sur l'installation, les précautions de sécurité, les procédures générales de fonctionnement, les instructions d'entretien et la défaillance des pièces. La machine a été conçue et construite pour un fonctionnement régulier et sur le long terme si elle est utilisée conformément aux instructions établies dans ce document.

Gardez ce manuel à titre de référence. Si la machine change de propriétaire, le manuel doit également lui être remis.

2.0 Table des matières

Chapitre	Page
1.0 Concernant ce manuel.....	77
2.0 Table des matières.....	77
3.0 Instructions de sécurité importantes	78~79
3.1 Utilisation prévue et limites d'utilisation	80
3.2 Autres dangers	80
4.0 Spécifications.....	81~82
5.0 Description de la machine	83
6.0 Réglage et montage.....	84
6.1 Déballage et nettoyage	84
6.2 Contenu d'expédition.....	84
6.3 Montage	84
6.4 Lubrification initiale	84
6.5 Installation.	84
7.0 Connexions électriques	84
7.1 Instructions de mise à la terre.	84
7.2 Rallonges électriques	85
8.0 Réglages.....	85~87
8.1 Sélection de la plage de vitesses de la broche	88
8.2 Réglage de l'engrenage à changement de vitesse	88
8.3 Tournage conique avec contre-poupée	88
8.4 Tournage conique avec la glissière supérieure	88
8.5 Mandrin à trois mors universels.	87
8.6 Mandrin à quatre mors indépendants	87
8.7 Contre-pointe tournante.....	87
8.8 Lunette fixe et lunette mobile	87
9.0 Commandes de fonctionnement.....	88
10.0 Fonctionnement de la machine	88~87
10.1 Exécution de la coupe	88
10.2 Mandrinage	88
10.3 Réglage de l'outil de coupe	89
10.4 Vitesses de broche recommandées	89
10.5 Tournage manuel	89
10.6 Tournage avec avance auto	89
10.7 Filetage	90
10.8 Opération de perçage	91
11.0 Entretien par l'utilisateur.....	91~92
11,1 Lubrification.....	91
11.2 Réajustements	91~92
12.0 Dépannage.....	93
13.0 Protection environnementale	93
14.0 Accessoires disponibles	93
15.0 Pièces de rechange.....	94~108
16.0 Schémas de câblage	109~110

3.0 INSTRUCTIONS DE SECURITE IMPORTANTES

LISEZ TOUTES LES INSTRUCTIONS AVANT D'UTILISER CE TOUR.



– Pour réduire les risques de blessures :

1. Lisez attentivement et comprenez l'intégralité du manuel du propriétaire avant de procéder au montage ou au fonctionnement de cette machine.
2. Lisez et comprenez les avertissements placés sur la machine et dans ce manuel.
3. Remplacez les étiquettes d'avertissement si elles sont illisibles ou retirées.
4. Cette machine est conçue et prévue pour n'être utilisée que par un personnel expérimenté et correctement formé. Si vous n'êtes pas familiarisé avec le fonctionnement correct et sûr d'un tour à métaux, ne l'utilisez pas tant que vous ne disposez pas de la formation correspondante et des connaissances nécessaires.
5. N'utilisez pas cette machine à une fin autre que son utilisation prévue. Si elle est utilisée à d'autres fins, PROMAC renonce à toute garantie réelle ou implicite et se dégage de toute responsabilité en cas de blessure résultant d'une utilisation inadéquate de la scie à ruban.
6. Portez toujours des lunettes de sécurité ou des écrans faciaux agréés lors de l'utilisation de cette machine. (Les lunettes ordinaires sont dotées de verres résistants aux impacts seulement; ce ne sont pas des lunettes de sécurité.)
7. Avant le fonctionnement de cette machine, retirez les cravates, les bagues, les montres et autres bijoux et retrousser les manches jusqu'au-dessus des coudes. Enlevez tout vêtement ample et attachez les cheveux longs. Il est recommandé de porter des chaussures antidérapantes ou de poser des lamelles de plancher antidérapantes. Ne portez pas de gants.
8. Portez des protecteurs auditifs (bouchons ou casques antibruit) lors de l'utilisation prolongée.
9. La poussière générée par le sciage peut contenir des produits chimiques reconnus causer le cancer, des malformations congénitales ou des lésions de l'appareil reproducteur. Certains exemples de ces produits chimiques sont :
 - Le plomb provenant de la peinture à base de plomb.
 - La silice cristalline provenant des briques, du ciment et d'autres produits de maçonnerie.
 - L'arsenic et le chrome provenant du bois traité chimiquement.Votre risque d'exposition varie selon la fréquence à laquelle vous réalisez ce type de travail. Pour réduire votre exposition à ces produits chimiques, travaillez dans un endroit bien ventilé et utilisez l'équipement de sécurité agréé tel que le masque facial ou le masque anti-poussière qui sont spécifiquement conçus pour filtrer les particules microscopiques.
10. Ne vous servez pas de cette machine lorsque vous êtes fatigué ou sous l'effet de la drogue, de l'alcool ou de tout médicament.
11. Assurez-vous que l'interrupteur est en position **OFF** avant de connecter la machine à l'alimentation. Désactivez toutes les commandes avant de débrancher.
12. Assurez-vous que la machine est mise à la terre correctement. Branchez uniquement à sortie mise à la terre correctement. Voir les instructions de mise à la terre.
13. Réalisez tous les réglages de la machine ou la maintenance avec la machine débranchée de la source d'alimentation.
14. Enlevez les clés et outils de réglage. Prenez l'habitude de vérifier que les clés et outils de réglage ont été enlevés de la machine avant de la mettre en marche.
15. Maintenez toujours en place les protections de sécurité lorsque la machine est utilisée. Si elles sont retirées pour la maintenance, soyez très prudent et remplacez immédiatement les protections une fois la maintenance terminée.
16. Vérifiez les pièces endommagées. Avant toute nouvelle utilisation de la machine, une protection ou une autre pièce qui est endommagée doit être vérifiée avec précaution pour s'assurer qu'elle fonctionnera correctement et remplira la fonction prévue. Vérifiez l'alignement des pièces mobiles, l'attache des pièces mobiles, la rupture des pièces, la fixation et toute autre condition qui peuvent affecter son fonctionnement. Une protection ou une autre pièce qui est endommagée doit être réparée ou remplacée correctement.
17. Prévoyez une zone de travail environnante avec un espace approprié et un éclairage vertical non éblouissant.
18. Maintenez le sol autour de la machine propre et exempt de rebut, d'huile et de graisse.
19. Gardez les visiteurs à une distance sécuritaire de la zone de travail. **Gardez les enfants éloignés.**
20. Veillez à ce que votre atelier soit sûr pour les enfants grâce à des cadenas, des interrupteurs principaux ou en retirant les clés de contact.
21. Concentrez-vous sur votre travail. Regarder autour de soi, tenir une conversation et le "chahut" sont des actes imprudents qui peuvent entraîner de graves blessures.
22. Gardez une position confortable. Adoptez toujours une posture équilibrée de manière à ne pas tomber ou à vous appuyer contre le mandrin ou les autres pièces mobiles. Ne vous penchez pas trop loin ou n'utilisez pas de force excessive pour procéder au fonctionnement de la machine.
23. Utilisez le bon outil à la vitesse et vitesse d'avance correctes. Ne forcez pas un outil ou un accessoire à effectuer une tâche pour laquelle il n'a pas été conçu. Le bon outil effectuera la tâche de manière plus efficace et plus sûre.
24. La machine est prévue pour une utilisation interne. Afin de réduire les risques de choc électrique, n'utilisez pas la machine sur des surfaces humides ou à l'extérieur.
25. Ne manipulez pas la prise ou la machine avec des mains humides.
26. Utilisez les accessoires recommandés; les accessoires incorrects peuvent être dangereux.
27. Entretenez bien les outils. Gardez les outils affûtés et nettoyés afin d'obtenir un rendement optimal et sécuritaire. Suivez les instructions de lubrification et de changement des accessoires.
28. Désactivez la machine et débranchez avant de nettoyer. Utilisez une brosse ou de l'air comprimé pour enlever les copeaux ou les débris ; ne réalisez pas cette opération à mains nues.
29. Ne vous tenez pas sur la machine. Vous risquez de graves blessures si la machine se renverse.
30. Ne laissez jamais la machine fonctionner sans surveillance. Coupez l'alimentation et ne quittez pas la machine tant qu'elle ne s'est pas arrêtée complètement.
31. Retirez les éléments lâches et les pièces inutiles de la zone avant de démarrer la machine.
32. Retirez la fiche de la prise d'alimentation si la machine n'est pas utilisée.
33. Assurez-vous que la pièce est fermement serrée.

Familiarisez-vous avec les consignes de sécurité suivantes utilisées dans ce manuel :



AVERTISSEMENT :

Cela signifie qu'il y a risque de blessures graves voire mortelles si les précautions ne sont pas respectées.



PRECAUTION :

Cela signifie qu'il y a risque de blessures mineures et/ou de dommages éventuels de la machine si les précautions ne sont pas respectées.

GARDEZ A L'ESPRIT CES INSTRUCTIONS



AVERTISSEMENT :

Ces symboles indiquent que vous suivez les procédures de sécurité correctes lors de l'utilisation de cette machine.



Lisez attentivement et comprenez tout le manuel d'utilisation avant d'assembler ou d'utiliser la machine.



Toute pièce dépassant de l'extrémité arrière de la poupée fixe doit être recouverte sur toute sa longueur. Haut risque de blessure



Portez toujours un équipement de travail conforme. Portez des lunettes de protection.
Portez des protections auditives.



Ne faites pas fonctionner cette machine sous l'emprise de drogues, d'alcool ou de médicament.



Portez toujours un équipement de travail conforme. Portez des chaussures de sécurité.
Retirez les cravates, les bagues, les montres et autres bijoux.
Retrousser les manches jusqu'au-dessus des coudes.
Enlevez tout vêtement ample et attachez les cheveux longs.



Ne portez pas de gants alors que vous utilisez cette machine.



Les travaux de réparation et de connexion sur l'installation électrique doivent être uniquement effectués par un électricien qualifié.



Réalisez tous les réglages de la machine ou la maintenance avec la machine débranchée de la source d'alimentation.



Ne touchez jamais la machine pendant son fonctionnement ou son arrêt.

3.1 Utilisation prévue et limites d'utilisation

La machine est seulement conçue pour le tournage et le perçage de matériaux en plastique et en métal.

La pièce doit pouvoir être chargée, maintenue et serrée en toute sécurité.

La machine est prévue pour une utilisation interne. La puissance nominale de protection de l'installation électrique est IP 54.

Pour éviter tout basculement, la machine doit être boulonnée avec quatre boulons d'ancrage.

Si elle est utilisée à d'autres fins, PROMAC renonce à toute garantie réelle ou implicite et se dégage de toute responsabilité en cas de blessure résultant d'une utilisation inadéquate de la scie à ruban.



AVERTISSEMENT :

La machine n'est pas adaptée pour l'usinage de magnésium...Risque d'incendie !

Ne placez jamais vos doigts là où ils pourraient entrer en contact avec les pièces rotatives ou des copeaux.

Vérifiez que la pièce est bien fixée avant de démarrer la machine.

Ne dépassez pas la plage de serrage du mandrin.

Les pièces d'une longueur 3 fois supérieure au diamètre du mandrin doivent être maintenues par la contre-poupée ou une lunette fixe.

Évitez les petits diamètres de mandrin avec de larges diamètres de tournage. Évitez les longueurs de serrage courtes et un faible contact de serrage.

Ne dépassez pas la vitesse maximale du dispositif de maintien de la pièce.

Utilisez le bon outil à la vitesse et vitesse d'avance correctes. Ne forcez pas un outil ou un accessoire à effectuer une tâche pour laquelle il n'a pas été conçu. Le bon outil effectuera la tâche de manière plus efficace et plus sûre.

Utilisez les accessoires recommandés; les accessoires incorrects peuvent être dangereux.

Entretenez bien les outils. Gardez les outils de coupe affûtés et nettoyés afin d'obtenir un rendement optimal et sécuritaire.

Suivez les instructions de lubrification et de changement des accessoires.

N'essayez pas de régler ou de retirer les outils pendant le fonctionnement.

N'arrêtez pas un mandrin en rotation ou une pièce à la main.

Choisissez une vitesse de broche faible lors du travail de pièces non équilibrées et pour les opérations de filetage et de taraudage.

Toute pièce dépassant de l'extrémité arrière de la poupée fixe doit être recouverte sur toute sa longueur. Haut risque de blessure !

Les pièces longues doivent être soutenues par une lunette fixe. Une pièce fine ou longue peut se plier soudainement en vitesse de rotation rapide.

Ne déplacez jamais la contre-poupée ou le fourreau de la contre-poupée lorsque la machine fonctionne.

Enlevez les copeaux de coupe avec un crochet à copeaux approprié lorsque la machine est complètement à l'arrêt.

Les mesures et les réglages ne se font que lorsque la machine est à l'arrêt.

L'entretien et la réparation ne peuvent être réalisés qu'après avoir protégé la machine de tout démarrage accidentel en retirant la fiche de la prise d'alimentation.

Retirez les éléments lâches et les pièces inutiles de la zone avant de démarrer la machine.

Tournez la pièce à la main avant de mettre le contact. Utilisez la vitesse la plus basse lors du démarrage de la nouvelle pièce.

Serrez tous les verrous avant le fonctionnement.

3.2 Autres dangers

D'autres dangers subsistent lors de l'utilisation de la machine conformément aux réglementations.

La pièce rotative et le mandrin peuvent provoquer des blessures.

Des pièces chaudes et projetées, tout comme les copeaux de coupe peuvent entraîner des blessures.

Les copeaux et le bruit peuvent altérer la santé. Portez un équipement de protection individuel comme des lunettes de protection et des protections auditives.

L'utilisation d'une source d'alimentation incorrecte ou d'un cordon d'alimentation endommagé peut provoquer des blessures par choc électrique.

La tension d'injection perdure lors de l'ouverture de l'armoire électrique. Par conséquent, faites attention lors de l'ouverture.

4.0 Spécifications

Numéro de modèle..... PBD-3069
Numéro de stock PBD-3069

Moteur et électrique :

Type de moteur..... Moteur à induction
Puissance du moteur 1,1 kW
Alimentation 1 ~ 230 V, PE, 50 Hz
Classe de protection P 54
Intensité en charge 6.4 A
Lampe de la machine..... Lampe halogène 24 V, 35 W
Pompe de refroidissement 40 W

Capacités :

Hauteur au centre..... 150 mm
Pivotement au-dessus du banc 300 mm
Pivotement au-dessus de la glissière transversale..... 170 mm
Distance entre les contre-pointes..... 750 mm

Broche :

Montage du nez de la broche Support de cône court (1:4 Ø63,51 mm, Ø98 x 3 x Ø11)
Alésage de la broche..... 38 mm
Cône de la broche..... MT5
Nombre de vitesses de la broche..... 6
Plage de vitesses de la broche 150 ~ 2 000 tr/min

Contre-poupée :

Course du chariot de la contre-poupée 80 mm
Cône de contre-poupée MT3

Banc et chariots :

Largeur du banc 180 mm
Course de la glissière transversale 170 mm
Course de la glissière supérieure 90 mm
Taille max. outil..... 16 x 16 mm
Pas de la vis-mère 3 mm
Avances longitudinales (9x) 0,085/0,13/0,17/0,21/0,25/0,35/0,40/0,50/0,83 mm/tr
Filetages métriques (21x) 0,2 ~ 4,0 mm/tr
Filetages en pouces (21x) 8 ~ 56 TPI

Matériaux :

Banc de la machine..... Fonte, trempée par induction et rectifiée
Poupée fixe, contre-poupée, glissières..... Fonte
Paliers de broche Paliers à rouleaux coniques, niveau de qualité P5

Emissions sonores au ralenti ¹ 73,4 dB (LpA)
Emissions sonores pendant l'usinage ¹ 78,3 dB (LpA)

¹Emissions sonores mesurées en fonction de EN ISO 11202, à 1 m de distance, à 1,6 m au-dessus du sol. Les valeurs spécifiées sont des niveaux d'émission et ne doivent pas nécessairement être vues comme des niveaux de fonctionnement de sécurité. Comme les conditions de l'environnement de travail varient, cette information permet à l'utilisateur d'avoir une meilleure estimation des risques et des dangers que cela implique.

Dimensions et poids :

Dimensions hors tout, monté (L x P x H)..... 1 400 x 700 x 700 (1 400) mm
Dimensions de l'expédition (l x P x H) (emballage séparé) 1 550 x 750 x 750 & 820 x 680 x 430 mm
Poids net (approximatif) 357 kg
Poids d'expédition (approximatif)..... 402 kg

L = longueur ; l = largeur ; H = hauteur ; P = profondeur

Les spécifications de ce manuel entrent en vigueur au moment de la publication, mais en raison de notre politique d'amélioration continue, PROMAC se réserve le droit de modifier les spécifications à tout moment et sans préavis, sans aucune obligation de sa part.

4.1 Montage du nez de la broche :

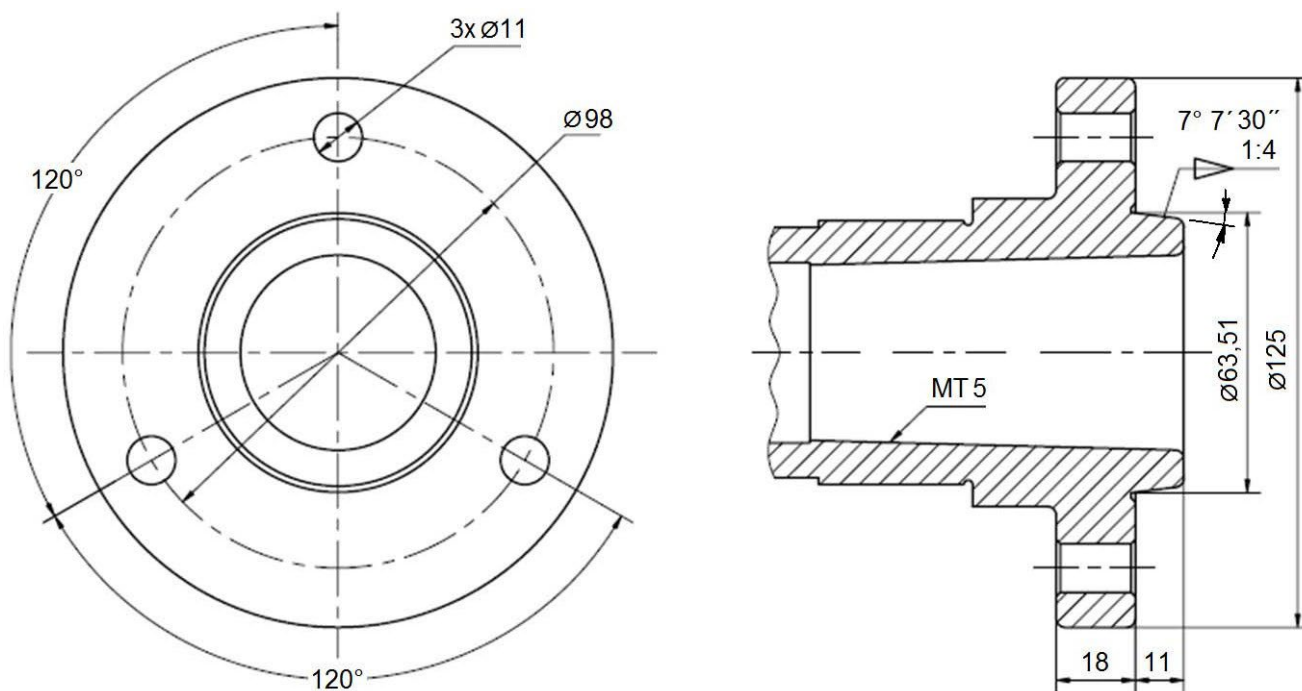


Figure 4-1 : Montage du nez de la broche

4.2 Configuration du trou du boulon d'ancrage :

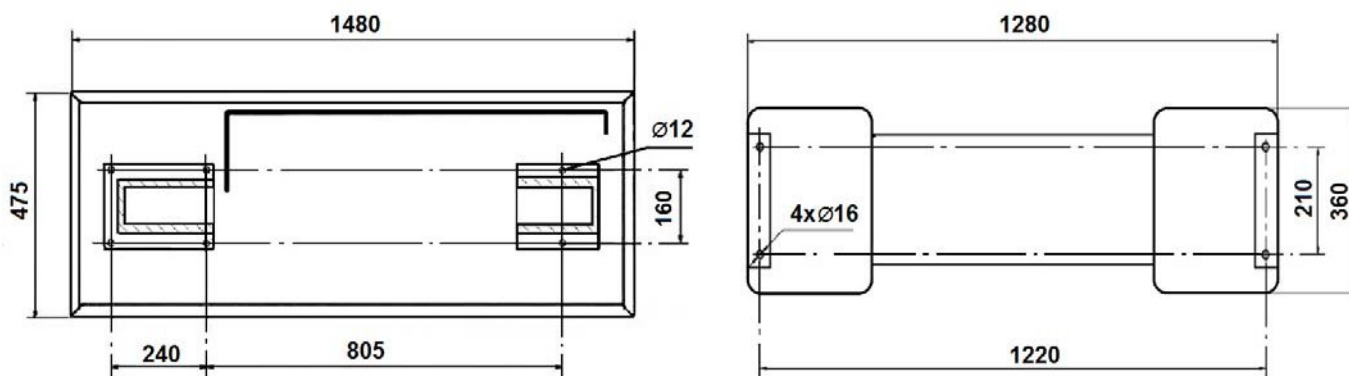


Figure 4-2 : Configuration du boulon d'ancrage du banc du tour (gauche) & du support (droite)



AVERTISSEMENT :

Pour éviter tout basculement, la machine doit être boulonnée avec quatre boulons d'ancrage (non fournis).

5.0 Description de la machine

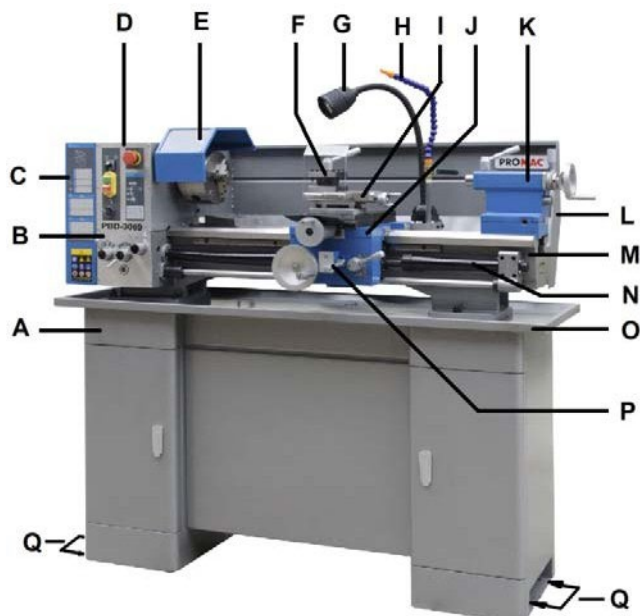


Figure 5-1 : Description de la machine

- ASupport de l'armoire de la machine
- B..... Boîte de vitesses
- C..... Couvercle de poulie
- D Poupée fixe
- E..... Mandrin et sa protection
- F..... Porte-outil et sa protection
- G Lampe de la machine
- H Buse de refroidissement
- I..... Glissière supérieure
- J Chariot
- K..... Contre-poupée
- L..... Carter de protection
- M Banc du tour
- N Vis-mère
- O Bac à copeaux
- P.....Lever de sélection de l'avance longitudinale/transversale
- Q..... Trous des boulons d'ancrage

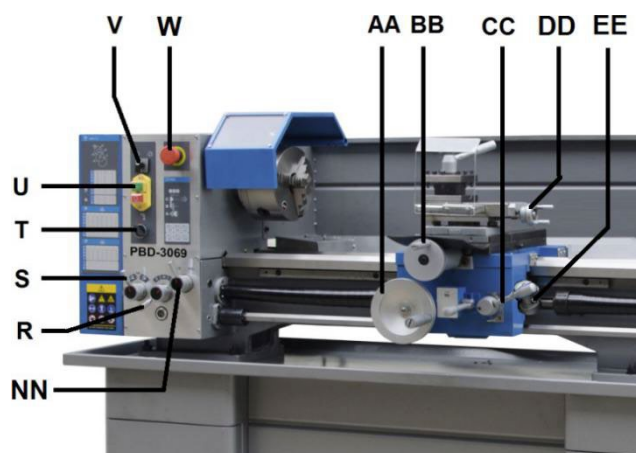


Figure 5-2 : Description de la machine

- R.....Bouton de sélection de la vitesse d'avance
- S Vitesse marche avant/arrêt/marche arrière
- TActivation/Désactivation du réfrigérant
- U Activation/Désactivation de la puissance de broche
- V..... Avance/Recul broche
- W Arrêt d'urgence
- AA Roue à main du tablier
- BB.....Roue à main de la glissière transversale
- CC.....Lever de demi-écrou
- DDRoue à main de la glissière supérieure
- EE Cadran du filetage
- NN Bouton de sélection de l'avance/filetage

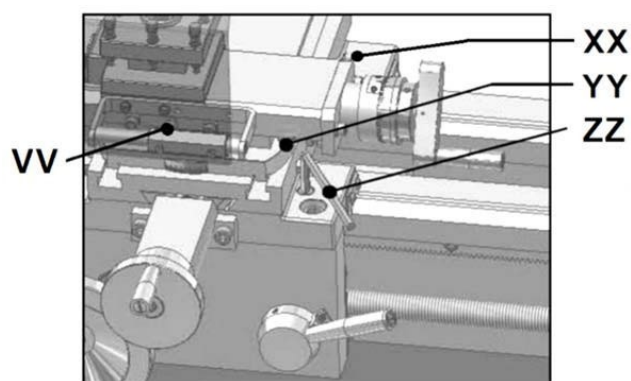


Figure 5-3 Description de la machine

- VV Verrou de la glissière supérieure
- XX..... Verrou de la glissière transversale
- YYRéglage du cône de la glissière supérieure
- ZZ Verrou du chariot

6.0 Réglage et montage



AVERTISSEMENT :

Lisez et comprenez l'intégralité de ce manuel avant de procéder au montage ou au fonctionnement. Le non-respect de cette obligation peut causer de graves blessures.

6.1 Déballage et nettoyage

Retirez tous les contenus de la caisse d'expédition et comparez les pièces avec la liste de contenus dans ce manuel. En cas d'endommagement dans l'expédition ou de pièces manquantes, contactez votre distributeur. Ne jetez pas la caisse ou le matériel d'emballage tant que la machine n'est pas montée et ne fonctionne pas correctement.

Nettoyez toutes les surfaces protégées contre la rouille avec du kérosène ou un solvant doux. N'utilisez pas de dissolvant, de diluant à peinture ou d'essence car cela pourrait endommager les composants en plastique et les surfaces peintes.

6.2 Contenu d'expédition

- 1 Machine
- 1 Support de l'armoire
- 1 Installation du réfrigérant
- 1 Lampe de la machine
- 1 Mandrin à trois mors universels, 160 mm
- 1 Mandrin à quatre mors indépendants, 160 mm
- 1 Plaque frontale, 265 mm
- 1 Protection du mandrin
- 1 Porte-outil 4 postes
- 1 Protection du porte-outil
- 1 Jeu d'engrenage à changement de vitesse
- 1 Cadran du filetage
- 1 Contre-pointe fixe MT5
- 1 Contre-pointe fixe MT3
- 1 Lunette fixe
- 1 Lunette mobile(en option)
- 1 Outils de service dans la boîte à outils
- 1 Burette
- 1 Instructions de fonctionnement et manuel de pièces

6.3 Montage

La machine est livrée complètement assemblée.

Installez la courroie d'entraînement (courroie trapézoïdale).

Vérifiez que toutes les fixations sont serrées.

6.4 Lubrification initiale

Tous les points de lubrification de la machine doivent être lubrifiés avant la mise en service (voir le chapitre 11.1 pour la lubrification).

6.5 Installation

Dévissez le tour de l'extrémité de la caisse d'expédition.

Utilisez une courroie en fibre très résistante pour lever la machine hors de la palette.



AVERTISSEMENT :

La machine est lourde (402 kg) !

Veillez à ce que la capacité de charge soit suffisante et que vos dispositifs de levage soient en bon état.

Ne vous déplacez jamais sous des charges suspendues.

Pour éviter tout basculement, la machine doit être boulonnée avec quatre boulons d'ancrage (non fournis).

Pour éviter la torsion du banc, assurez-vous que la surface de réglage est absolument plate et plane.

Desserrez les boulons d'ancrage, les rondelles et serrez les boulons si nécessaire.

La machine pour être précise doit être à niveau !

7.0 Connexions électriques



AVERTISSEMENT :

Toutes les connexions électriques doivent être effectués par un électricien qualifié conformément aux ordonnances et codes locaux. Le non-respect de cette obligation peut causer de graves blessures.

Les tours à métaux PBD-3069 ont une tension d'alimentation de 1 ~ 230 V, PE, 50 Hz. Les machines sont livrées avec une prise conçue pour être branchée à une *prise de terre*.

La connexion au secteur électrique et les fiches et rallonges électriques utilisées doivent être conformes aux informations indiquées sur la plaque d'immatriculation de la machine.

La connexion du secteur électrique doit posséder un fusible de protection contre la surtension 16 A.

Utilisez uniquement des rallonges électriques H07RN-F, avec des câbles de 1,5 mm² ou plus.

La longueur totale du cordon ne doit pas dépasser 18 mètres.

Les cordons électriques et les fiches doivent être exempts de défauts.

Les connexions et réparations de l'équipement électrique ne doivent être réalisées que par des techniciens qualifiés.

La machine est équipée d'une fiche et d'un cordon d'alimentation de 2,3 mètres.

Avant de raccorder à la source d'alimentation, veillez à ce que le commutateur principal soit en position off.

7.1 Instructions de mise à la terre

Cet outil doit être mis à la terre. En cas de dysfonctionnement ou de défaillance, la mise à la terre fournit un trajet de résistance minimale pour le courant électrique pour réduire le risque de choc électrique. Cet outil est équipé d'un cordon électrique ayant un câble d'alimentation et une fiche de mise à la terre. Cette fiche doit être insérée sur une embase adéquate correctement installée et reliée à la terre en respectant tous les codes et ordonnances locaux.



AVERTISSEMENT :

Une connexion inappropriée du câble d'alimentation peut causer un risque de chocs électriques. Contrôlez avec un électricien qualifié ou une personne chargée de l'entretien en

cas de doutes concernant la mise à la terre correcte de la prise. Ne modifiez pas la fiche fournie avec l'outil.

Le fil vert/jaune est le fil du câble d'alimentation. Si le cordon doit être réparé ou remplacé, ne connectez pas le fil de terre de l'outil sur une borne sous tension.

Utilisez uniquement des rallonges électriques à 3 câbles avec des fiches de mise à la terre.

Réparez ou remplacez immédiatement un cordon usé ou endommagé.

7.2 Rallonges électriques

L'utilisation de rallonges électriques est fortement déconseillée ; essayez de placer les machines près de la source d'alimentation. Si une rallonge électrique s'avère nécessaire, assurez-vous de son bon état.

Une rallonge trop courte cause des chutes de tension, entraînant une perte d'alimentation et une surchauffe.

Utilisez uniquement des rallonges électriques H07RN-F, avec des câbles de 1,5 mm² ou plus.

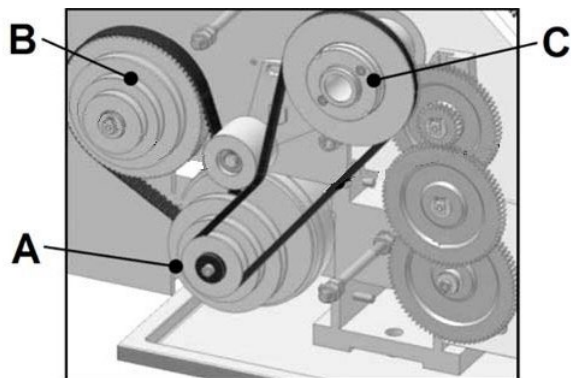
La longueur totale du cordon ne doit pas dépasser 18 mètres.

Les rallonges électriques et les fiches doivent être exempts de défauts.

8.0 Réglages

8.1 Changement des vitesses de la broche

Les vitesses du tour sont contrôlés par la position de la courroie sur les poulies (Fig 8-1).



	1	2	3
C			
B			
A			
	BC 1	BC 2	BC 3
	150	300	600
	AC 1	AC 2	AC 3
	500	1000	2000

Figure 8-1 : Réglage de la vitesse de la broche

Enlevez le couvercle de la poulie (C, Fig 5-1) pour changer la position de la courroie.

Réinstallez le couvercle de la poulie.

8.2 Réglage de l'engrenage à changement de vitesse

Enlevez le couvercle de la poulie.

La vitesse de rotation de la vis-mère, et ainsi la vitesse d'avance de l'outil de coupe, est déterminée par la configuration d'engrenage et par le levier de sélection de la vitesse d'avance (R, Fig 5-2).

Assemblez les engrenages au réglage souhaité (Fig 8-2).

	mm / O		
Z1	45	45	45
Z2	75	75	75
Z3	20	30	40
Z4	90	90	70
L	85	85	90
I	0.085	0.128	0.208
II	0.170	0.256	0.416
III	0.340	0.512	0.832
I	0.010	0.016	0.025
II	0.020	0.032	0.050
III	0.040	0.064	0.100
Z1	-	-	-
Z2	70	70	60
Z3	80	80	80
Z4	20	30	50
L	75	75	75
I	0.20	0.30	0.50
II	0.40	0.60	1.00
III	0.80	1.20	2.00
Z1	-	-	-
Z2	60	50	65
Z3	70	85	75
Z4	60	60	50
L	65	60	60
I	8.0	9.0	9.5
II	16	18	19
III	32	36	38

Figure 8-2 : Réglage de l'engrenage à changement de vitesse

Régalez les engrenages pour qu'il y ait engrènement de l'engrenage supérieur et inférieur.

Le placement d'un papier ordinaire entre les engrenages permet de régler l'espacement correct entre les engrenages (... enlevez ensuite le papier !).

Réinstallez le couvercle de la poulie.

8.3 Tournage conique avec contre-poupée

Montez la pièce ajustée sur le toc d'entraînement entre les contre-pointes. Le toc d'entraînement est entraîné par la plaque frontale.

Lubrifiez les contre-pointes avec de la graisse pour empêcher toute surchauffe des pointes.

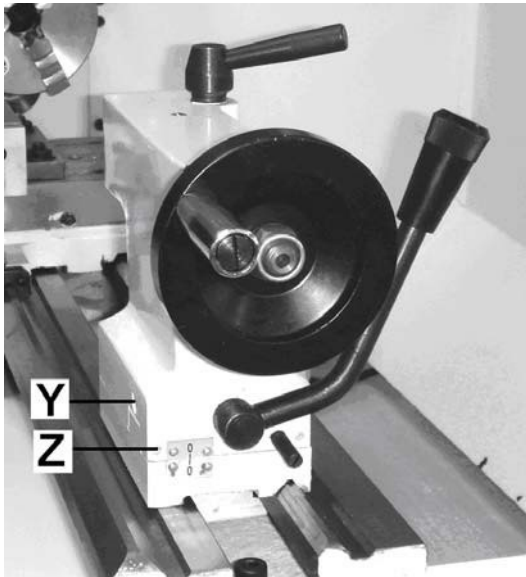


Figure 8-3 : Tournage conique entre les contre-pointes

Pour tourner un cône, décalez la contre-poupée, desserrez les vis de verrouillage (Z, Fig 8-3) et utilisez les vis (Y) pour régler. Après le tournage conique, la contre-poupée doit être ramenée à sa position initiale. Tournez une pièce de test et réglez jusqu'à ce que la machine tourne un cylindre parfait.

8.4 Tournage conique avec la glissière supérieure

En inclinant la glissière supérieure, les cônes peuvent être tournés.

Desserrez les deux écrous hexagonaux (A, Fig 8-4) et tournez la glissière supérieure selon l'échelle graduée (B).

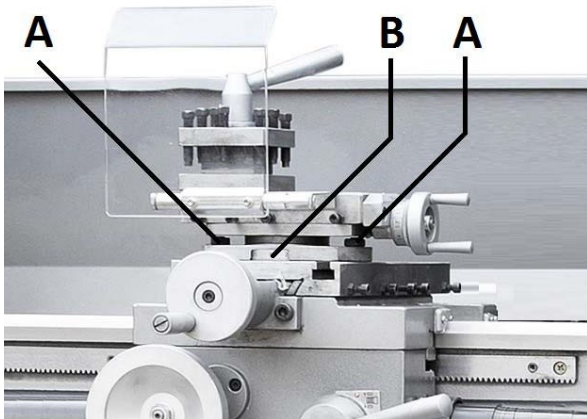


Figure 8-4 : Tournage conique avec la glissière supérieure

8.5 Mandrin à trois mors universels

Avec ce mandrin universel, des matériaux hexagonaux, cylindriques et triangulaires peuvent être serrés (Fig 8-5).

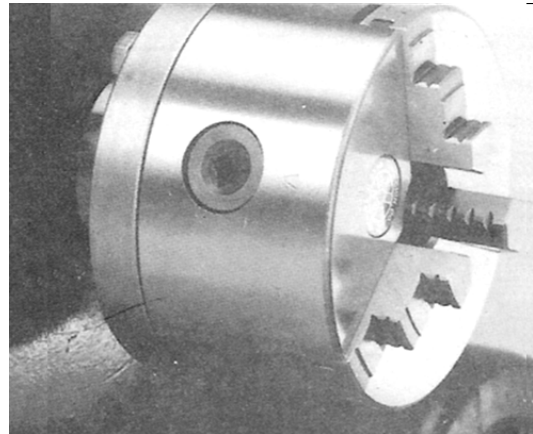


Figure 8-5 : Mandrin à mors coniques universels

Un jeu de mors de mandrin extérieurs est fourni pour maintenir une barre de grand diamètre.

Le mors doit être inséré dans le mandrin dans l'ordre exact.

Utilisez de la graisse Molykote G (ou de la graisse appropriée) pour lubrifier les mors.

8.6 Mandrin à quatre mors indépendants (en option)

Ce mandrin a quatre mors de mandrin réglables indépendants (Fig 8-6).

Cela permet le maintien de pièces carrées et asymétriques et permet un réglage concentrique précis des pièces cylindriques.



Figure 8-6 : Mandrin à quatre mors indépendants

8.7 Contre-pointe tournante (en option)

La contre-pointe tournante (Fig 8-7) est montée dans les roulements à billes.

Son utilisation est vivement recommandée pour les vitesses supérieures à 500 tr/min.

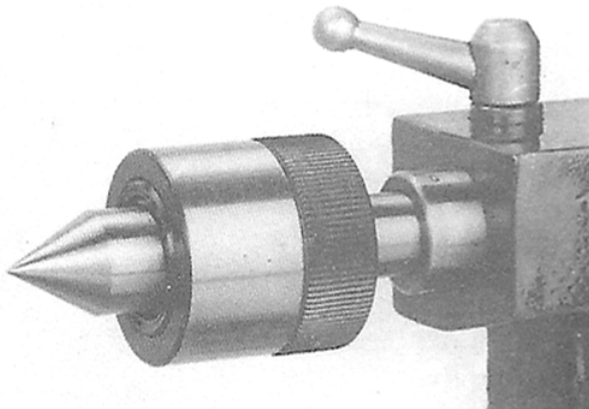


Figure 8-7 : Contre-pointe tournante

Pour éjecter la contre-pointe tournante, rétractez complètement le fourreau de la contre-poupée.

8.8 Lunette fixe ,et lunette mobile (en option)

Les lunettes évitent la flexion des pièces longues et fines sous la pression de l'outil.

La lunette fixe (Fig 8-8) sert à soutenir des arbres plus longs et assure un fonctionnement sûr et sans broutage.

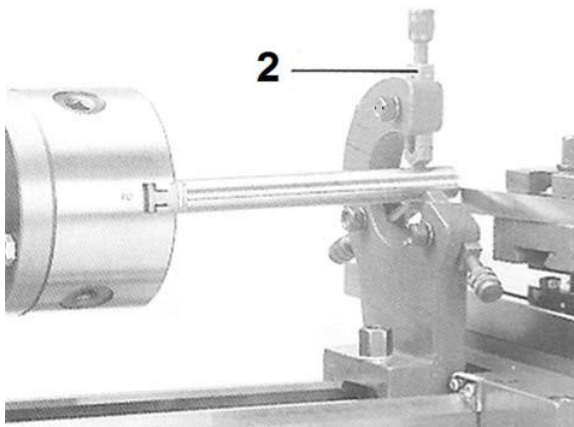


Figure 8-8 : Lunette fixe

La lunette mobile (Fig 8-9) est montée sur le chariot et permet le déplacement de l'outil.

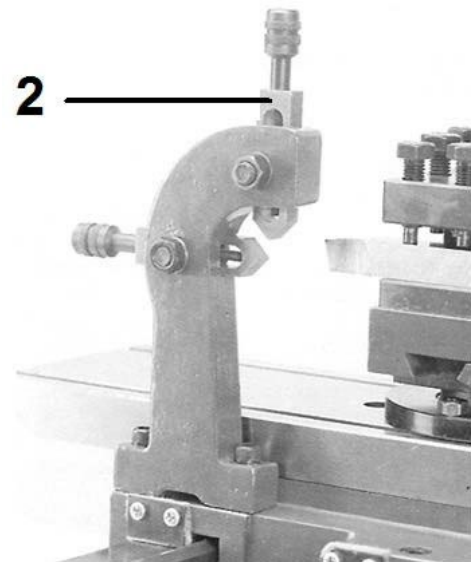


Figure 8-9 : Lunette mobile

Remarque :

Régalez bien les doigts (2) mais ne les serrez pas excessivement.

Lubrifiez les doigts pour éviter une usure prématurée.

9.0 Commandes de fonctionnement

Voir la figure 9-1 :

- R Levier de sélection de la vitesse d'avance (I, II, III)
- S Vitesse marche avant/arrêt/marche arrière
- T Activation/Désactivation du réfrigérant
- U Activation/Désactivation de la puissance de broche
- V Avance/Recul broche
- W Arrêt d'urgence
- NN Levier de sélection de l'arbre d'alimentation/vis-mère

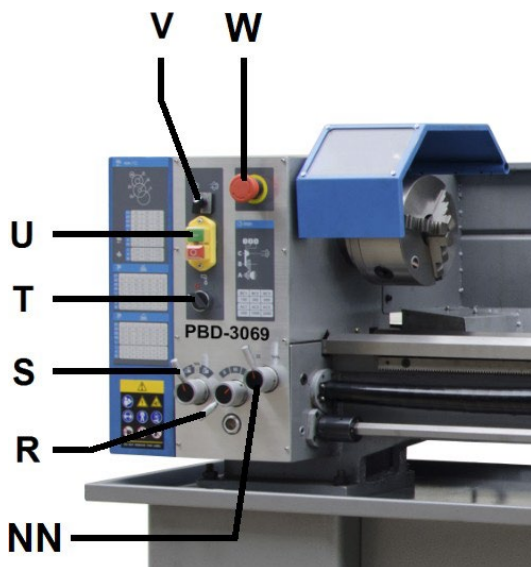


Figure 9-1 : Commandes de fonctionnement

10.0 Fonctionnement de la machine

10.1 Exécution de la coupe

Avant de démarrer la machine, vérifiez le serrage correct.

Fermez la protection du mandrin et le couvercle de la poulie avant de démarrer la machine.

Sélectionnez la direction de déplacement, avant ou arrière (V, Fig 9-1).

Vous pouvez démarrer la machine avec le bouton ON vert (U). Le bouton OFF rouge arrête la machine.

Le bouton d'arrêt d'urgence (W) arrête toutes les fonctions de la machine.

Tournez le bouton d'arrêt d'urgence en sens horaire pour réinitialiser.

L'éclairage de travail (G, Fig 5-1) fonctionne de manière indépendante ; le bouton d'activation/de désactivation se trouve sur le haut du boîtier du témoin.

Débranchez la machine si elle n'est pas utilisée.

10.2 Mandrinage

Ne dépassez pas la vitesse maximale du dispositif de maintien de la pièce.

Les dents des mors et la couronne dentée doivent toujours être entièrement engagées. Sinon, les mors de mandrin peuvent se casser et être projetés lors de la rotation (Fig 10-1).

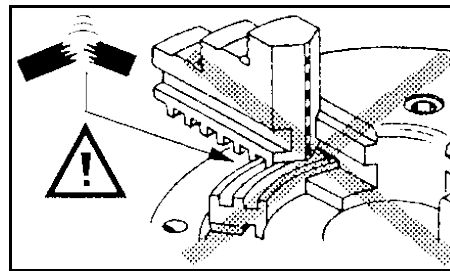


Figure 10-1 : Mauvais engagements des mors

Évitez les extensions de pièces longues. Les pièces peuvent se plier (Fig 10-2) ou être projetées (Fig 10-3). Utilisez la contre-poupée ou la lunette pour les maintenir.

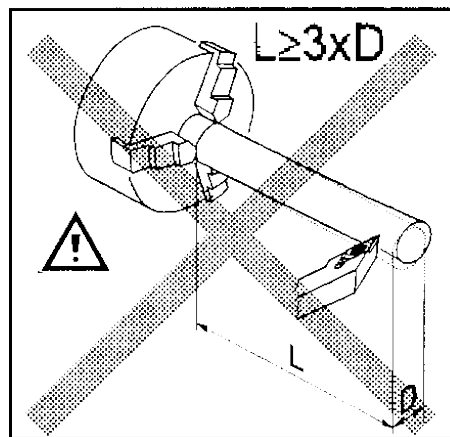


Figure 10-2 : Pièce trop longue

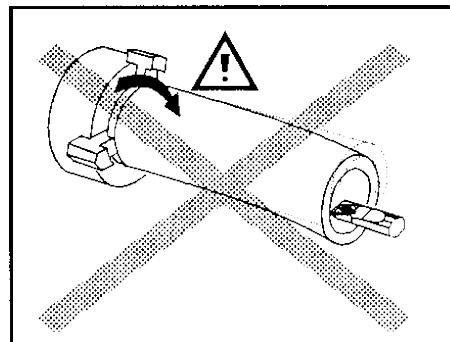


Figure 10-3 : Pièce trop longue

Évitez tout contact de serrage court (A, Fig 10-4) ou tout serrage sur un diamètre mineur (B). Placez la pièce sur la face pour améliorer le support.

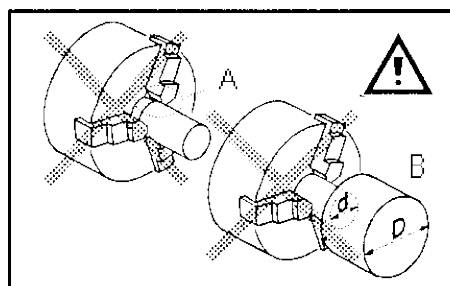


Figure 10-4 : Mauvais serrage

10.3 Réglage de l'outil de coupe

L'angle de coupe est correct lorsque l'arête tranchante est conforme à l'axe central de la pièce. Utilisez le point des contre-pointes comme une jauge et des rondelles sous l'outil pour obtenir la hauteur au centre correcte (Fig 10-5).

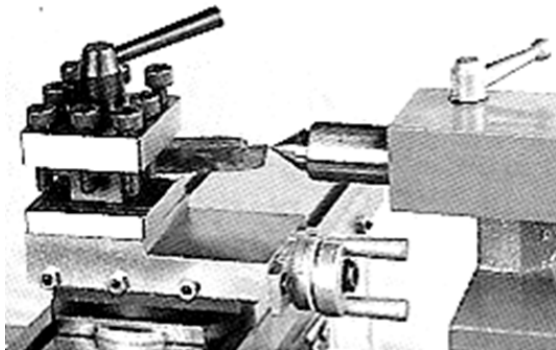


Figure 10-5 : Réglage de l'outil de coupe

Utilisez au moins deux vis pour serrer l'outil de coupe.

Évitez les extensions de grands outils.

10.4 Vitesses de broche recommandées

ATTENTION :

Généralement, plus le diamètre de coupe est petit, plus le régime-moteur est élevé. Les matériaux mous requièrent des vitesses plus élevées ; les métaux durs requièrent des vitesses faibles.

Le métal est généralement usiné avec du réfrigérant ou l'huile de coupe est appliquée.

Vitesses de broche recommandées pour l'usinage d'un diamètre de 10 mm avec des outils HSS (outils en acier à grande vitesse) :

Plastique.....	2 000 tr/min
Aluminium.....	2 000 tr/min
Laiton.....	1000 tr/min
Fonte.....	1000 tr/min
Acier doux.....	800 tr/min
Acier à haute teneur en carbone.....	600 tr/min
Acier inoxydable.....	300 tr/min

Pour les outils en carbure (HM), des vitesses 5 fois supérieures peuvent être sélectionnées.

Par exemple :

Le tournage de l'acier doux à un diamètre de 20 mm permet

Avec outil HSS.....400 tr/min

Avec outil en carbure.....2 000 tr/min

10.5 Tournage manuel

La course du tablier (AA, Fig 10-6), la course de la glissière transversale (BB) et de la glissière supérieure (DD) peut être effectuée sur l'avance longitudinale et transversale.

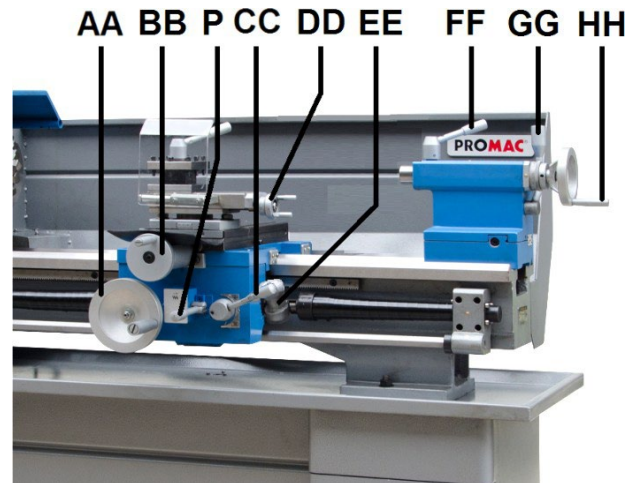


Figure 10-6 : Commandes de la machine

L'avance correcte dépend du matériau à couper, de l'opération de coupe, du type d'outil, de la rigidité de la pièce serrée, de la profondeur de coupe et de la qualité de la surface souhaitée.

10.6 Tournage avec avance auto

Sélectionnez le mode "Feeding" (Alimentation) sur la boîte de vitesses (NN, Fig 9-1).

Sélectionnez la direction avant ou arrière de l'avance (S).

Démarrez l'avance auto avec le levier (P, Fig 10-7) :

- Pour l'avance longitudinale, déplacez le levier vers la droite et le haut ..

- Pour l'avance transversale, déplacez le levier vers la gauche et le bas ..

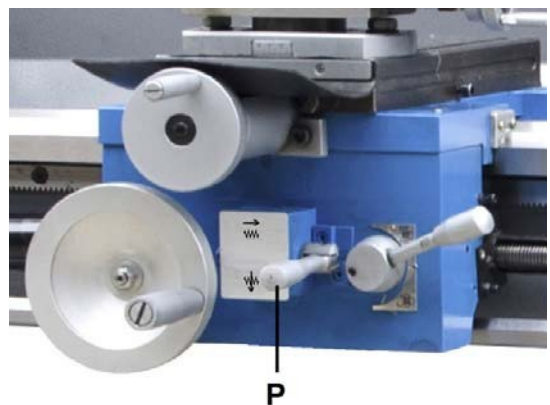


Figure 10-7 : Avance auto

Trois vitesses d'avance longitudinale et trois vitesses d'avance transversale sont disponibles en tournant le bouton de sélection de l'avance (R, Fig 9-1).

Exemple de tournage longitudinal :

Fonctionnement	Avance/tr	Bouton de sélection de l'avance
Dépose du matériau	0,34mm	III
Coupe de finition	0.17mm	II
Coupe de finition micro	0.085mm	I

REMARQUE : Les vitesses d'avance supplémentaires sont disponibles avec différents réglages de l'engrenage à changement de vitesse (Fig 10-8).

Z1	45	45	45
Z2	75	75	75
Z3	20	30	40
Z4	90	90	70
L	85	85	90
I	0.085	0.128	0.208
II	0.170	0.256	0.416
III	0.340	0.512	0.832
I	0.010	0.016	0.025
II	0.020	0.032	0.050
III	0.040	0.064	0.100

Figure 10-8 : Vitesses d'avance possibles

L'avance correcte dépend du matériau à couper, de l'opération de coupe, du type d'outil, de la rigidité de la pièce serrée, de la profondeur de coupe et de la qualité de la surface souhaitée.

Lors du dégrossissage de grands diamètres, réduisez la profondeur de coupe !

10.7 Filetage

Le filetage est réalisé en plusieurs passes avec un outil de filetage.

Chaque profondeur de coupe doit être d'environ 0,2 mm et diminue pour les passes de finition.

A) Usinage des filetages en pouces et métriques :

Réglez la machine pour le pas de filetage souhaité (voir le chapitre 8.2).

Sélectionnez la vitesse de broche la plus basse possible.

Engagez le demi-écrou (CC, Fig 10-9).

REMARQUE : Le demi-écrou doit rester engagé pendant tout le processus de filetage.

- Réglez l'outil pour la passe de filetage.
- Démarrez le moteur.

- Lorsque l'outil atteint la fin de la coupe, arrêtez le moteur et en même temps sortez l'outil de sorte que le diamètre de filetage soit supprimé.

diameter.

- Démarrez le moteur dans le sens inverse, laissez l'outil de coupe revenir au point de départ.

Répétez ces étapes jusqu'à ce que vous ayez obtenu les résultats souhaités.

B) Usinage des filetages métriques avec le cadran du filetage

Sur la plupart des filetages métriques, le cadran du filetage (EE, Fig 10-9) peut être utilisé.

Le demi-écrou peut être ouvert à la fin de la coupe plutôt que d'arrêter et d'inverser le moteur.

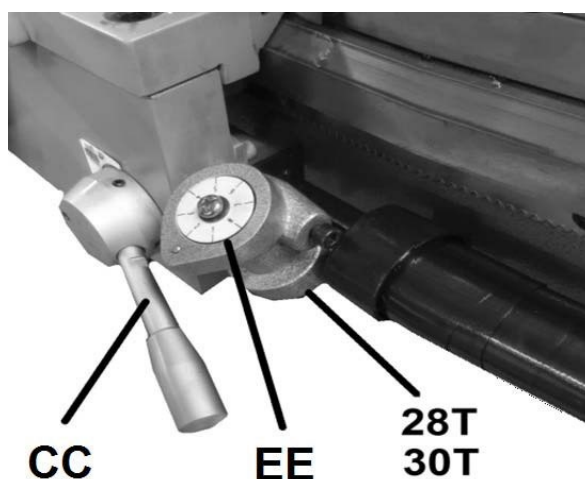


Figure 10-10 : Cadran du filetage

Sélectionnez l'engrenage du cadran du filetage 28T ou 30T.

Le demi-écrou ne peut être engagé qu'à la marque de graduation correspondante sur le cadran du filetage (Fig 10-10).

0.5	0.7	2	4	6	8	
1	1.75					
0.8		8				
1.25						4 8
2.5	3					
1.5		2	4	6	8	2 4 6 8
2						8

Figure 10-10 : Opération de perçage

Remarque :

Pour les pas de filetage de 0,2/0,3/0,5/0,6/0,75/1,0/1,5/3 mm, le demi-écrou peut être engagé à n'importe quel point. (Pas de la vis-mère = 3 mm = peut être divisé en pas de filetage).

10.8 Opération de perçage

Utilisez un mandrin de perçage avec un arbre MT3 (option) pour serrer les forets à centrer et les forets hélicoïdaux dans la contre-poupée (Fig 10-11).

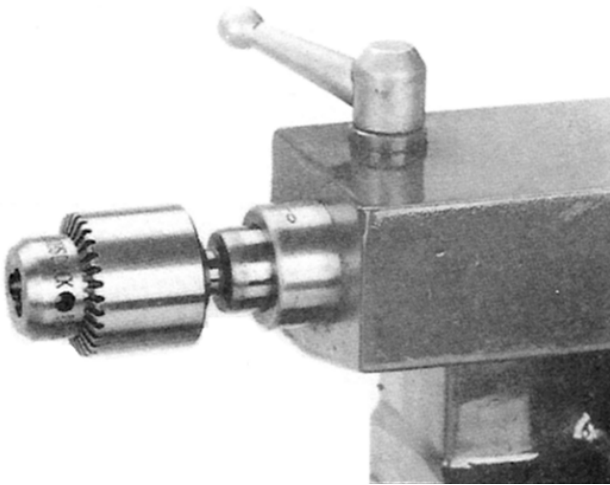


Figure 10-11 : Opération de perçage

Pour les vitesses recommandées, voir la section 10.4.

Pour éjecter le mandrin de perçage, rétractez complètement le fourreau de la contre-poupée.

11.0 Entretien par l'utilisateur



AVERTISSEMENT :

Avant toute intervention sur la machine, débranchez-la de l'alimentation électrique et retirez la fiche de la prise de courant. Le non-respect de cette obligation peut causer de graves blessures.

Un facteur de sécurité important est le nettoyage de la machine, du banc, du chariot et des glissières, du sol et des espaces environnants.

Des objets desserrés peuvent entrer en contact avec le mandrin mobile ou la pièce, ce qui peut être dangereux.

Videz le bac de copeaux régulièrement.

Remplacez régulièrement le réfrigérant en suivant les recommandations du fabricant.

Vérifiez que les boulons sont serrés et que les cordons électriques sont en bon état. Si un cordon électrique est usé, coupé ou endommagé, remplacez-le immédiatement.

11.1 Lubrification

Les roulements de la broche sont pré-lubrifiés et hermétiques ; ils ne nécessitent pas de nouvelle lubrification.

A) Lubrification hebdomadaire :

DIN 51502 CG ISO VG 68

(par exemple BP Maccurat 68, Castrol Magna BD 68, Mobil Vectra 2)

- 1...Huilez les billes sur les moyeux à changement de vitesse
- 2...Huilez légèrement les glissières du banc
- 3...Huilez le fourreau de la contre-poupée sur toute sa longueur
- 4...Huilez la vis-mère sur toute sa longueur
- 5...Huile les billes sur le support de la vis-mère
- 6...Huilez les billes sur la glissière supérieure
- 7...Huilez les billes sur la contre-poupée
- 8...Huilez les billes sur le chariot.
- 9...Huilez les billes sur le tablier.

B) Lubrification mensuelle :

DIN 51807-1 Graisse non-accrochante

(par exemple BP L2, Mobilgrease Special).

- 10...Graissez les dents des engrenages à changement de vitesse
- 11...Graissez la crémaillère sur toute sa longueur

Huile de la boîte de vitesses :

DIN 51517-2 CL ISO VG 68

(par exemple BP Energol HLP 68, Mobil DTE Oil Heavy Medium)

L'huile ne doit pas dépasser la marque de l'indicateur dans le verre-regard d'huile (L, Fig 11-1).

En cas de besoin, remplissez avec de l'huile en retirant le bouchon (M).

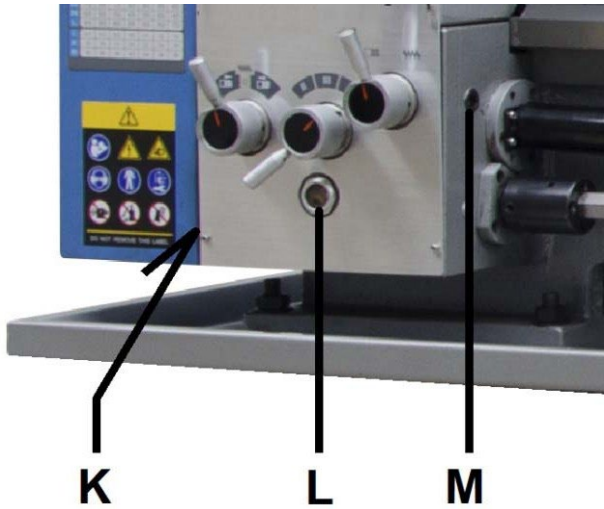


Figure 11-1 : Remplissage d'huile de la boîte de vitesses

Changez l'huile dans la boîte de vitesses toutes les 1 000 heures de fonctionnement.

Vidangez l'huile en retirant le bouchon de purge (K).

11.2 Réajustements

A) Réglage du palier :

Les paliers à rouleaux coniques de la broche principale sont réglés en usine.

Si le jeu axial devient évident après une utilisation considérable, les paliers peuvent être réglés.

Desserrez deux vis à tête hexagonale (A, Fig 11-2). Serrez l'écrou (B) jusqu'à ce que le jeu axial soit rattrapé.

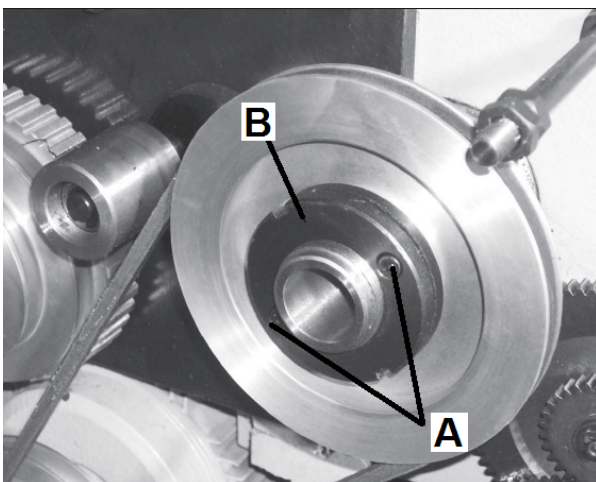


Figure 11-2 : Réglage du palier

Serrez l'écrou avec précaution, la broche doit toujours tourner librement. Une précharge excessive endommage les paliers.

Serrez les vis.

B) Réglage de la glissière transversale et de la glissière supérieure :

Chaque glissière est équipée d'une glissière de guidage (C, Fig 11-3) et peut être réglée avec les vis (E) équipées de contre-écrous (D).

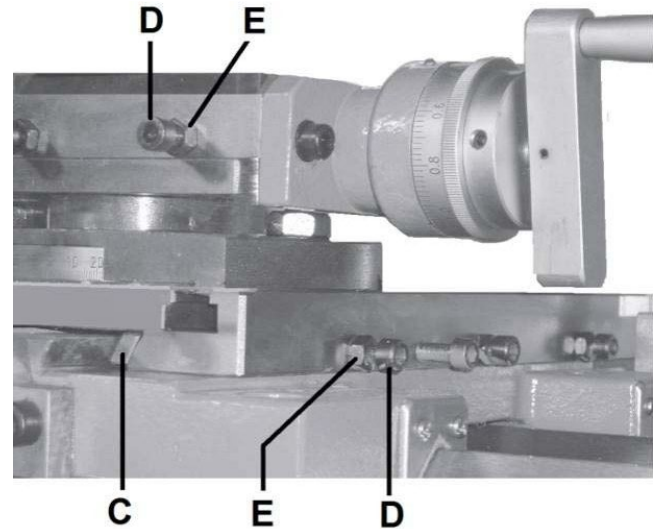


Figure 11-3 : Réglage de la glissière

Régalez les glissières pour qu'elles se déplacent sans à-coups.

C) Réglage de la broche de la glissière transversale

Retirez la glissière supérieure et réglez la vis sans tête (F, Fig 11-4) jusqu'à ce que le jeu entre la broche et l'écrou soit éliminé.

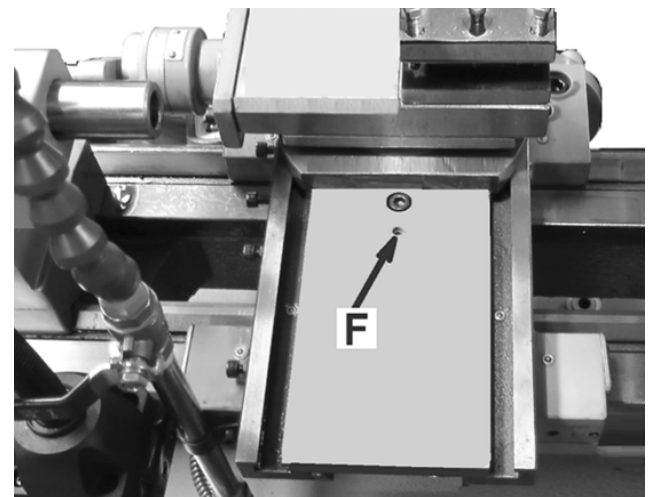


Figure 11-4 : Réglage de la broche de la glissière transversale

12.0 Dépannage

Symptôme	Cause possible	Correction *
Le tour ne démarre pas.	Le tour n'est pas raccordé à la paroi ou au moteur.	Contrôlez toutes les connexions de fiche d'alimentation.
	Fusible grillé ou disjoncteur déclenché	Remplacez le fusible ou réinitialisez le disjoncteur de circuit.
	Cordon endommagé	Remplacez le cordon.
	Protection du mandrin non fermée	Fermez la protection du mandrin.
	Couvercle de poulie enlevé	Installez le couvercle de la poulie.
Le tour ne parvient pas à prendre de la vitesse.	Rallonge électrique trop légère ou trop longue	Remplacez par une rallonge de longueur et de taille adéquates.
	Courant faible	Contactez un technicien qualifié.
Le tour vibre de manière excessive.	Base positionnée sur une surface irrégulière	Placez le tour sur un sol plan.
	Le tour n'est pas boulonné au sol.	Boulonnez la machine au sol.
	Pièce déséquilibrée	Réduisez la vitesse.
	Déviations de la pièce	Augmentez la longueur de serrage ou le diamètre, supportez l'extrémité de la contre-poupée.
	Déviations de l'outil	Réduisez la longueur de l'outil.
	Jeu de la glissière	Ajustez les glissières.
	Marche à sec des glissières	Lubrifiez avec de l'huile.
	Pointe de l'outil émoussée	Réaffûtez ou changez l'outil.
Charge de copeaux trop élevée	Réduisez la profondeur de coupe ou l'avance.	
Fonctionnement bruyant	Faites sécher les moyeux à changement de vitesse.	Lubrifiez avec de l'huile.
	Faites sécher les engrenages à changement de vitesse.	Lubrifiez avec de la graisse.
Combustions provenant de la pointe de l'outil	Vitesse de coupe trop élevée	Réduisez la vitesse de broche.
	Pointe de l'outil émoussée	Réaffûtez ou changez l'outil.
	Coupe à sec	Utilisez du réfrigérant.
	Avance trop lente	Augmentez la vitesse d'avance.
La machine tourne un cône.	L'alignement de la contre-poupée est décalé.	Alignez la position de la contre-poupée.
	Le banc de la machine est tordu.	La surface portante du support doit être plate. Calez si nécessaire.
	Déviations de la pièce	Réduisez la profondeur de coupe ou l'avance.
Le mandrin de perçage ou l'arbre ne reste pas à sa place.	Saleté, graisse, etc. sur l'arbre, le mandrin ou le fourreau de la contre-poupée	Nettoyez toutes les surfaces de contact avec un nettoyant/dégraissant.

* **AVERTISSEMENT** : Certaines corrections doivent être effectuées par un électricien qualifié.

Tableau 1

13.0 Protection environnementale

Protégez l'environnement.

Mettez l'emballage au rebut en respectant les consignes environnementales.

Mettez au rebut le réfrigérant en respectant les consignes environnementales.

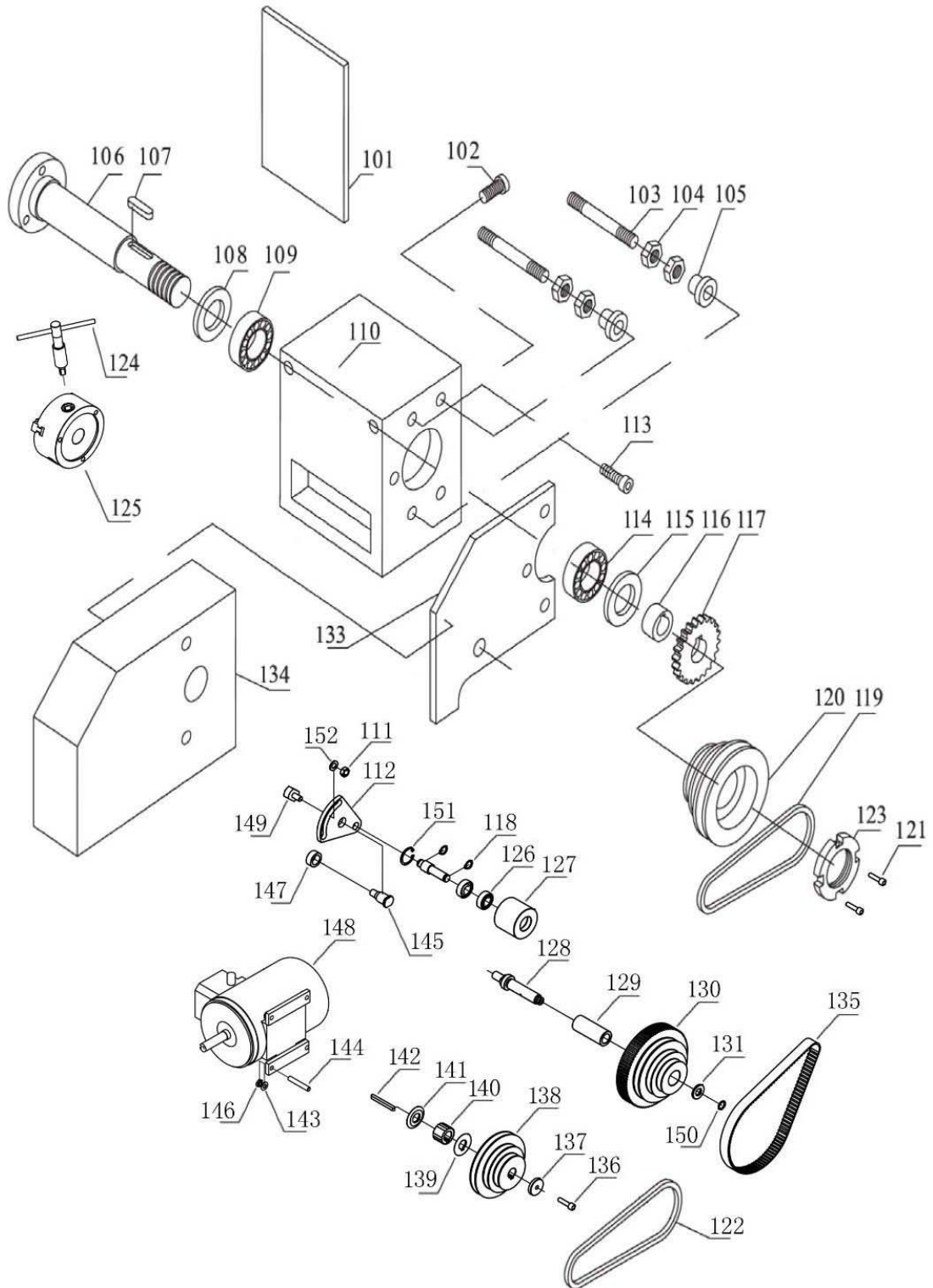
Votre appareil contient des matériaux précieux pouvant être récupérés ou recyclés. Veuillez les laisser à un institut spécialisé.

14.0 Accessoires disponibles

Reportez-vous à la liste de prix PROMAC.

15.0 Pièces de rechange

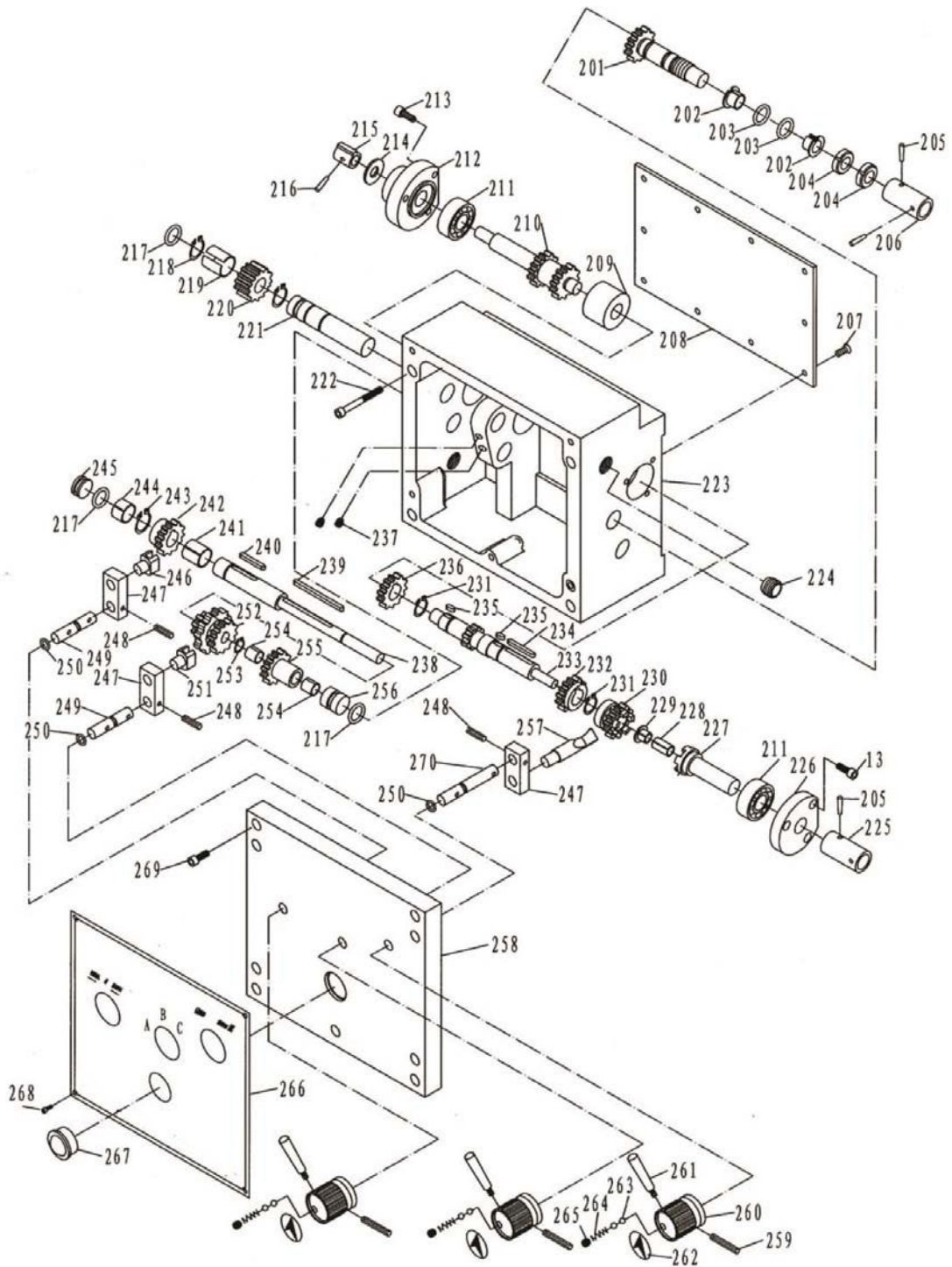
PBD-3069 Vue explosée -1



PBD-3069 Liste de pièces de la vue explosée -1

Index N°	Pièce N°	Description	Taille	Qté
101	PBD3069-1-01	ETIQUETTE		1
102	PBD3069-1	VIS A SIX PANS CREUX	DIN 912 Φ 4 x 10	6
103	PBD3069-1-03	BOULON		2
104	PBD3069-2	ECROU	DIN 439-M10	4
105	PBD3069-3	ECROU MOLETE	M10	2
106	PBD3069-1-06	BROCHE		1
107	PBD3069-4	CLAVETTE	DIN 6885-8x 45	1
108	PBD3069-1-08	JOINT		1
109	TRB-30212	PALIER	30212	1
110	PBD3069-1-10	POUPEE FIXE		1
111	PBD3069-5	ECROU HEXAGONAL	DIN 439-M8	1
112	PBD3069-1-12	POULIE DE TENSION A DISQUE EXCENTRIQUE		1
113	PBD3069-6	VIS A SIX PANS CREUX	DIN 912 M8 x 25	3
114	TRB-32211	PALIER	32211	1
115	PBD3069-1-15	JOINT		1
116	PBD3069-1-16	DOUILLE		1
117	PBD3069-1-17	ENGRENAGE		1
118	PBD3069-7	CIRCLIP	DIN 471-12 x 1	2
119	PBD3069-1-19	COURROIE GATES	O-889	1
120	PBD3069-1-20	POULIE DE LA BROCHE		1
121	PBD3069-8	VIS A SIX PANS CREUX	M5 x 12	2
122	PBD3069-1-22	COURROIE GATES	O-710	1
123	PBD3069-1-23	ECROU		1
124	PBD3069-1-24	CLE DE MANDRIN		1
125	PBD3069-1-25	MANDRIN A 3 MORS	K11-160	1
126	BB-6001	PALIER	6001	2
127	PBD3069-1-27	POULIE DE TENSION		1
128	PBD3069-1-28	ARBRE		1
129	PBD3069-1-29	BOITIER		1
130	PBD3069-1-30	DISQUE DE LA COURROIE DENTEE		1
131	PBD3069-9	DISQUE POUR LE DISQUE DE LA COURROIE DENTEE		1
133	PBD3069-1-33	PLAQUE DU SUPPORT		1
134	PBD3069-1-34	COUVERCLE DE COURROIE		1
135	PBD3069-1-35	COURROIE DENTEE	255L075	1
136	PBD3069-10	VIS A SIX PANS CREUX	GB 70-85-M6 x 25	1
137	PBD3069-11	DISQUE DE FIXATION		1
138	PBD3069-1-38	POULIE DU MOTEUR		1
139	PBD3069-1-39	RONDELLE BOMBEE A L'AVANT		1
140	PBD3069-1-40	DISQUE DE LA COURROIE DENTEE		1
141	PBD3069-1-41	RONDELLE BOMBEE A L'ARRIERE		1
142	PBD3069-12	CLAVETTE	DIN 6885-A6 x 6 x 50	1
143	PBD3069-13	RONDELLE	DIN 125-A8	1
144	PBD3069-1-144	VIS		4
145	PBD3069-1-45	BOULON		1
146	PBD3069-15	ECROU HEXAGONAL	ISO 4032 M8	4
147	PBD3069-1-47	ENTRETOISE		1
148	PBD3069-1-48	MOTEUR	1,1 KW	1
149	PBD3069-1-49	PIECE DE SERRAGE		1
150	PBD3069-16	CIRCLIP	DIN 471-12 x 1	1
151	PBD3069-17	CIRCLIP	DIN 471-28 x 1 2	1
152	PBD3069-18	RONDELLE	DIN 125-A8	1

PBD-3069 Vue explosée -2



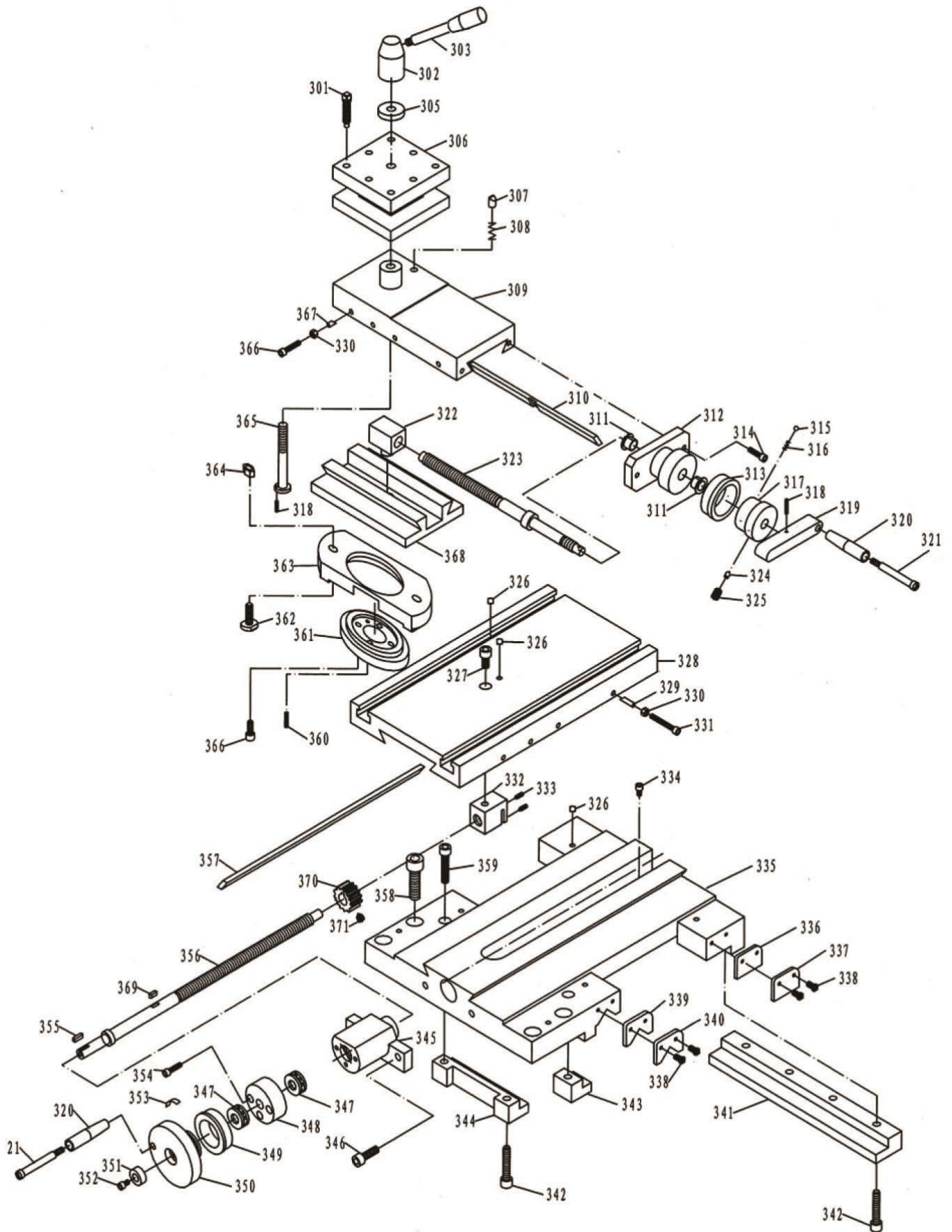
PBD-3069 Liste de pièces de la vue explosée -2

Index N°	Pièce N°	Description	Taille	Qté
201.....	PBD3069-2-01.....	ARBRE DE TRANSMISSION.....		1
202.....	PBD3069-2-02.....	PALIER.....	16170.....	2
203.....	PBD3069-19.....	JOINT TORIQUE.....	18001400.....	2
204.....	PBD3069-2-04.....	ECROU DIN 1804.....	M16 × 1,5.....	2
205.....	PBD3069-20.....	GOUPILLE DIN 1481.....	Φ3 × 22.....	2
206.....	PBD3069-2-06.....	COLLIER.....		1
207.....	PBD3069-21.....	VIS A SIX PANS CREUX.....	DIN 912 M5 × 8.....	10
208.....	PBD3069-2-08.....	COUVERCLE.....		1
209.....	PBD3069-2-09.....	COLLIER.....		1
210.....	PBD3069-2-10.....	ARBRE DE TRANSMISSION.....		1
211.....	BB-6202.....	PALIER.....	6202.....	2
212.....	PBD3069-2-12.....	BOUCHON GAUCHE.....		1
213.....	PBD3069-22.....	VIS A SIX PANS CREUX.....	DIN 912 M5 × 12.....	6
214.....	PBD3069-23.....	RONDELLE.....	Φ10.....	1
215.....	PBD3069-2-15.....	CLAVETTE.....		1
216.....	PBD3069-24.....	GOUPILLE.....	DIN 1481 Φ4 × 14.....	1
217.....	PBD3069-25.....	JOINT TORIQUE.....	18001500.....	3
218.....	PBD3069-26.....	CIRCLIP.....	Φ18.....	2
219.....	PBD3069-2-19.....	PALIER.....	1815.....	1
220.....	PBD3069-2-20.....	ENGRENAGE.....		1
221.....	PBD3069-2-21.....	ARBRE.....		1
222.....	PBD3069-27.....	VIS A SIX PANS CREUX.....	M6 × 50.....	4
223.....	PBD3069-2-23.....	BOITE DE VITESSES.....		1
224.....	PBD3069-2-24.....	VIS DE REGLAGE.....	M16 × 1,5 × 12.....	2
225.....	PBD3069-2-25.....	COLLIER.....		1
226.....	PBD3069-2-26.....	BOUCHON DROIT.....		1
227.....	PBD3069-2-27.....	ARBRE.....		1
228.....	PBD3069-2-28.....	PALIER.....	815.....	1
229.....	PBD3069-2-29.....	PALIER.....	8075.....	1
230.....	PBD3069-2-30.....	ENGRENAGE.....		1
231.....	PBD3069-28.....	CIRCLIP.....	Φ15.....	2
232.....	PBD3069-2-32.....	ENGRENAGE.....		1
233.....	PBD3069-2-33.....	ARBRE.....		1
234.....	PBD3069-29.....	CLAVETTE DIN 6885.....	4×25.....	1
235.....	PBD3069-30.....	CLAVETTE DIN 6885.....	4×8.....	2
236.....	PBD3069-2-36.....	ENGRENAGE.....		1
237.....	PBD3069-31.....	VIS DE REGLAGE.....	ISO 4028-M6 × 10.....	2
238.....	PBD3069-2-38.....	ARBRE.....		1
239.....	PBD3069-32.....	CLAVETTE DIN 6885.....	4×50.....	1
240.....	PBD3069-33.....	CLAVETTE DIN 6885.....	4×20.....	1
241.....	PBD3069-2-41.....	PALIER.....	1615.....	1
242.....	PBD3069-2-42.....	ENGRENAGE.....		1
243.....	PBD3069-34.....	CIRCLIP.....	Φ16.....	1
244.....	PBD3069-2-44.....	PALIER.....	1610.....	1
245.....	PBD3069-35.....	BOUCHON GAUCHE.....		1
246.....	PBD3069-2-46.....	FOURCHETTE.....		1
247.....	PBD3069-2-47.....	SUPPORT.....		3
248.....	PBD3069-36.....	GOUPILLE.....	DIN 1481 Φ3 × 20.....	3
249.....	PBD3069-2-49.....	ARBRE.....		2

PBD-3069 Liste de pièces de la vue explosée -2

Index N°	Pièce N°	Description	Taille	Qté
250.....	PBD3069-37	JOINT TORIQUE.....	1800690	3
251.....	PBD3069-2-51.....	FOURCHETTE		1
252.....	PBD3069-2-52.....	ENGRENAGE.....		1
253.....	PBD3069-38	CIRCLIP.....	Φ10	1
254.....	PBD3069-2-54.....	PALIER	1010.....	2
255.....	PBD3069-2-55.....	ENGRENAGE.....		1
256.....	PBD3069-2-56.....	BOUCHON DROIT.....		1
257	PBD3069-2-57.....	BLOC CADRANS		1
258	PBD3069-2-58.....	COUVERCLE DE LA BOITE DE VITESSES		1
259	PBD3069-39	GOUPILLE	DIN 1481 Φ5 × 40.....	3
260	PBD3069-2-60.....	BASE DU BOUTON		3
261	PBD3069-2-61.....	BOUTON		3
262	PBD3069-2-62.....	ETIQUETTE		3
263	PBD3069-40	BILLE	Φ5.....	6
264	PBD3069-2-64.....	RESSORT.....	0.8×4×16.....	3
265	PBD3069-41	VIS A SIX PANS CREUX	DIN 912 M6 × 12	3
266	PBD3069-2-66.....	ETIQUETTE		1
267	PBD3069-2-67.....	VERRE-REGARD D'HUILE		1
268	PBD3069-42	VIS A SIX PANS CREUX	DIN 912 M3 × 16	4
269	PBD3069-43	VIS A SIX PANS CREUX	DIN 912 M5 × 16	5
270	PBD3069-2-70.....	ARBRE		1

PBD-3069 Vue explosée -3



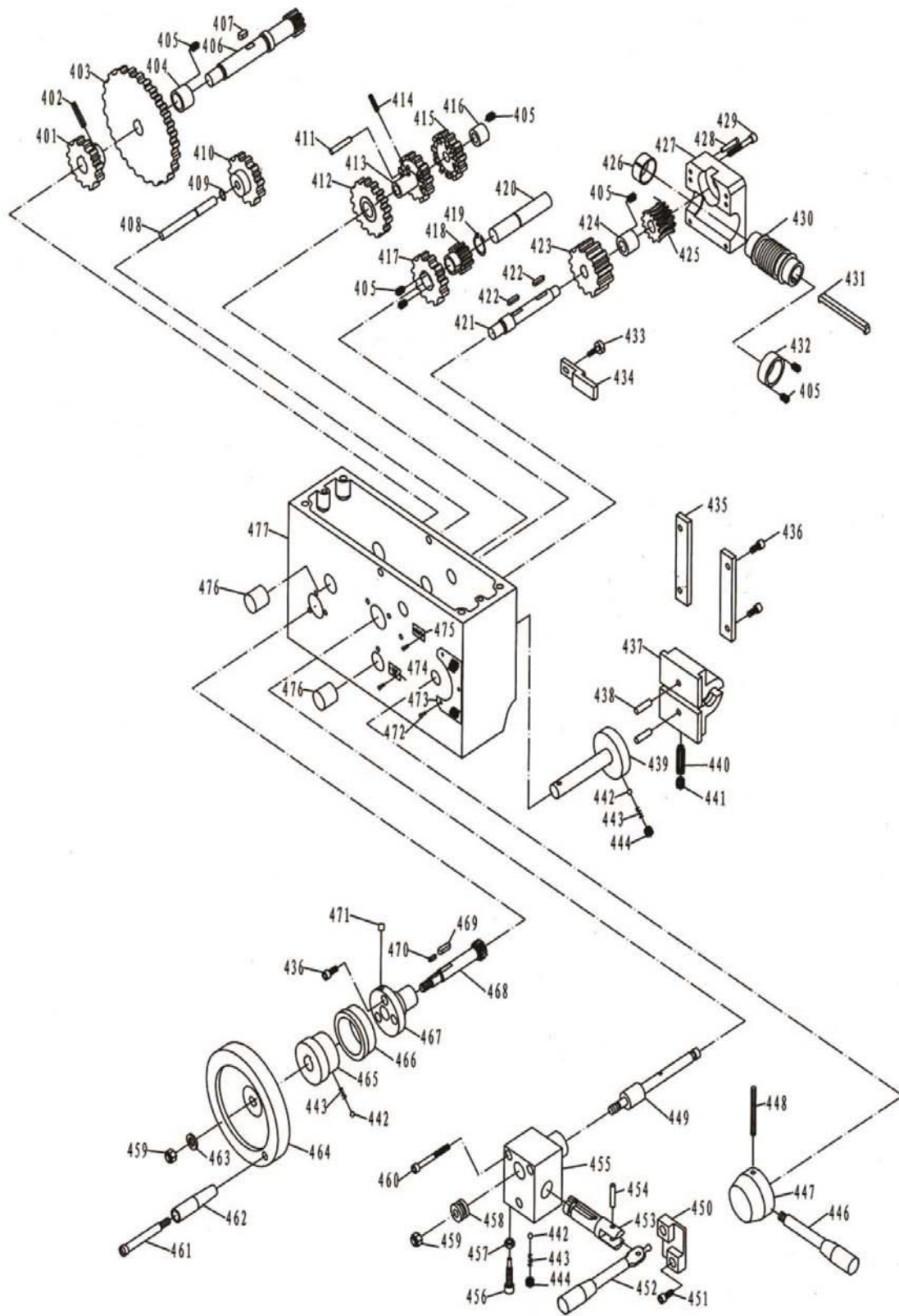
PBD-3069 Liste de pièces de la vue explosée -3

Index N°	Pièce N°	Description	Taille	Qté
301	PBD3069-3-01	VIS	DIN 912 M8 × 30	8
302	PBD3069-3-02	BASE POIGNEE		1
303	PBD3069-3-03	POIGNEE		1
305	PBD3069-3-05	RONDELLE		1
306	PBD3069-3-06	BASE POSTE		1
307	PBD3069-3-07	ARRET		1
308	PBD3069-3-08	RESSORT	7×0.8×11	1
309	PBD3069-3-09	GLISSIERE SUPERIEURE		1
310	PBD3069-3-10	GLISSIERE DE GUIDAGE		1
311	PBD3069-3-11	ROULEMENT SANS HUILE	1210	2
312	PBD3069-3-12	MOYEU		1
313	PBD3069-3-13	BAGUE D'INDEXAGE		1
314	PBD3069-44	VIS A SIX PANS CREUX	DIN 912 M6 × 20	2
315	PBD3069-45	BILLE	Φ5	1
316	PBD3069-3-16	RESSORT	1.5×0.5×6.5	1
317	PBD3069-3-17	BASE D'INDEXAGE		1
318	PBD3069-46	GOUPILLE	DIN 1481 Φ3 × 16	2
319	PBD3069-3-19	LEVIER		1
320	PBD3069-3-20	LEVIER		2
321	PBD3069-3-21	ARBRE DU LEVIER		2
322	PBD3069-3-22	BLOC		1
323	PBD3069-3-23	VIS		1
324	PBD3069-47	BOUCHON		3
325	PBD3069-48	VIS DE REGLAGE	DIN 912 M6 × 10	3
326	PBD3069-49	BILLES HUILE	Φ6	7
327	PBD3069-50	VIS A SIX PANS CREUX	DIN 912 M8 × 10	1
328	PBD3069-3-28	GLISSIERE TRANSVERSALE		1
329	PBD3069-51	BOUCHON		4
330	PBD3069-52	ECROU HEXAGONAL	DIN 439 M6	8
331	PBD3069-53	VIS A SIX PANS CREUX	DIN 912 M6 × 30	4
332	PBD3069-3-32	BLOC		1
333	PBD3069-54	VIS A SIX PANS CREUX	DIN 912 M4 × 8	2
334	PBD3069-55	VIS A SIX PANS CREUX	DIN 912 M5 × 6	1
335	PBD3069-3-35	CHARIOT		1
336	PBD3069-3-36	ESSUIE-GLACE		2
337	PBD3069-3-37	PLAQUE		2
338	PBD3069-56	VIS A SIX PANS CREUX	DIN 912 M4 × 18	8
339	PBD3069-3-39	ESSUIE-GLACE		2
340	PBD3069-3-40	PLAQUE		2
341	PBD3069-3-41	BANDE		1
342	PBD3069-57	VIS A SIX PANS CREUX	DIN 912 M8 × 30	4
343	PBD3069-3-43	BANDE		1
344	PBD3069-3-44	BANDE		1
345	PBD3069-3-45	SUPPORT		1
346	PBD3069-58	VIS A SIX PANS CREUX	DIN 912 M5 × 20	3
347	TBB-51101	PALIER	51101	2
348	PBD3069-3-48	COLLIER		1
349	PBD3069-3-49	BAGUE D'INDEXAGE		1

PBD-3069 Liste de pièces de la vue explosée -3

Index N°	Pièce N°	Description	Taille	Qté
350	PBD3069-3-50	ROUEA MAIN		1
351	PBD3069-3-51	RONDELLE		1
352	PBD3069-59	VIS A SIX PANS CREUX	DIN 912 M5 × 10	1
353	PBD3069-3-53	RESSORT		1
354	PBD3069-60	VIS A SIX PANS CREUX	DIN 912 M5 × 20	3
355	PBD3069-3-55	CLAVETTE	DIN 6885 4 x 8	1
356	PBD3069-3-56	VIS MERE		1
357	PBD3069-3-57	GLISSIERE DE GUIDAGE		1
358	PBD3069-61	VIS A SIX PANS CREUX	DIN 912 M12 × 30	2
359	PBD3069-62	VIS A SIX PANS CREUX	DIN 912 M8 × 40	2
360	PBD3069-63	GOUPILLE	DIN 1481 Ø4 × 20	1
361	PBD3069-3-61	COLLIER GRADUE		1
362	PBD3069-3-62	BOULON EN T	M10 × 30	2
363	PBD3069-3-63	BAGUE DE SERRAGE		1
364	PBD3069-64	ECROU	DIN 439 M10	2
365	PBD3069-3-65	BOULON		1
366	PBD3069-65	VIS A SIX PANS CREUX	DIN 912 M6 × 16	8
367	PBD3069-66	BOUCHON		4
368	PBD3069-3-68	BASE OSCILLANTE		1
369	PBD3069-67	CLAVETTE	DIN 6885 4 × 10	1
370	PBD3069-3-70	ENGRENAGE		1
371	PBD3069-68	VIS A SIX PANS CREUX	DIN 912 M5 × 16	1

PBD-3069 Vue explosée -4



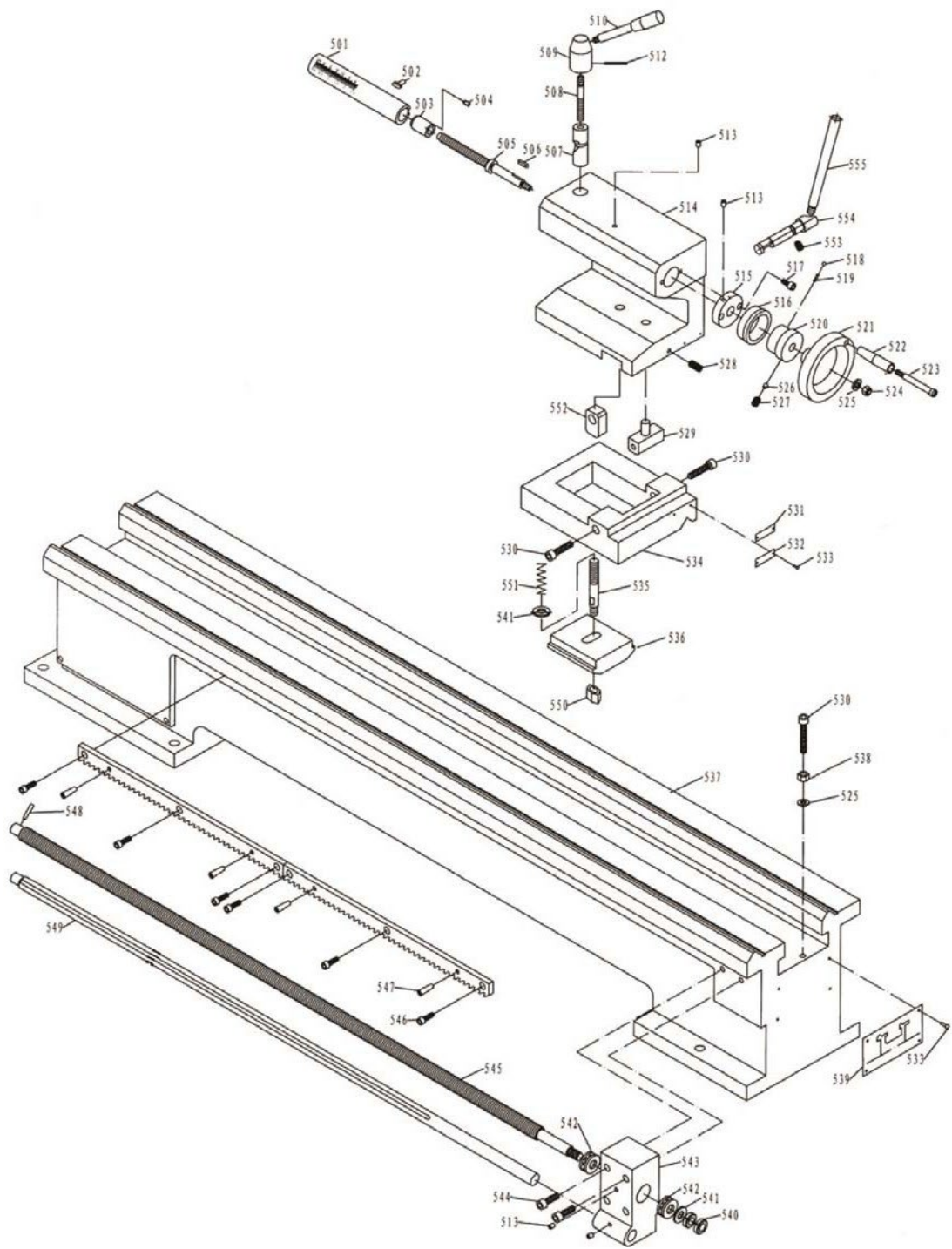
PBD-3069 Liste de pièces de la vue explosée -4

Index N°	Pièce N°	Description	Taille	Qté
401.....	PBD3069-4-01.....	ENGRENAGE.....		1
402.....	PBD3069-69.....	GOUPILLE.....	DIN 1481 Ø5 × 24.....	1
403.....	PBD3069-4-03.....	ENGRENAGE.....		1
404.....	PBD3069-4-04.....	RONDELLE.....		1
405.....	PBD3069-70.....	VIS A SIX PANS CREUX.....	DIN 912 M4 × 8.....	7
406.....	PBD3069-4-06.....	ARBRE DE TRANSMISSION.....		1
407.....	PBD3069-71.....	CLAVETTE.....	DIN 6885 4 × 8.....	1
408.....	PBD3069-4-08.....	ARBRE.....		1
409.....	PBD3069-72.....	CIRCLIP.....	DIN 127 Ø8.....	1
410.....	PBD3069-4-10.....	ENGRENAGE.....		1
411.....	PBD3069-4-11.....	ARBRE.....		3
412.....	PBD3069-4-12.....	ENGRENAGE.....		1
413.....	PBD3069-4-13.....	ENGRENAGE.....		1
414.....	PBD3069-73.....	GOUPILLE.....	DIN 1481 Ø4 × 16.....	1
415.....	PBD3069-4-15.....	ENGRENAGE.....		1
416.....	PBD3069-4-16.....	RONDELLE.....		1
417.....	PBD3069-4-17.....	ENGRENAGE.....		1
418.....	PBD3069-4-18.....	ENGRENAGE.....		1
419.....	PBD3069-74.....	CIRCLIP.....	DIN 127-Ø15.....	1
420.....	PBD3069-4-20.....	ARBRE.....		1
421.....	PBD3069-4-21.....	ARBRE.....		1
422.....	PBD3069-75.....	CLAVETTE.....	DIN 6885-5 × 14.....	2
423.....	PBD3069-4-23.....	ENGRENAGE.....		1
424.....	PBD3069-4-24.....	RONDELLE.....		1
425.....	PBD3069-4-25.....	VIS SANS FIN.....		1
426.....	PBD3069-4-26.....	PALIER.....	2501.....	1
427.....	PBD3069-4-27.....	BASE VIS SANS FIN.....		1
428.....	PBD3069-76.....	GOUPILLE.....	DIN 1481-Ø4 × 20.....	2
429.....	PBD3069-77.....	VIS A SIX PANS CREUX.....	DIN 912-M4 × 30.....	4
430.....	PBD3069-4-30.....	VIS SANS FIN.....		1
431.....	PBD3069-78.....	CLAVETTE.....		1
432.....	PBD3069-4-32.....	RONDELLE.....		1
433.....	PBD3069-4-33.....	VIS DE REGLAGE.....	DIN 912-M4 × 8.....	2
434.....	PBD3069-4-34.....	PLAQUE.....		1
435.....	PBD3069-4-35.....	PLAQUE.....		2
436.....	PBD3069-79.....	VIS A SIX PANS CREUX.....	DIN 912-M5 × 12.....	7
437.....	PBD3069-4-37.....	DEMI-ECROU.....		1
438.....	PBD3069-80.....	GOUPILLE.....	DIN 1481-Ø6 × 18.....	2
439.....	PBD3069-4-39.....	ARBRE A CAME.....		1
440.....	PBD3069-81.....	VIS A SIX PANS CREUX.....	DIN 912-M6 × 20.....	1
441.....	PBD3069-82.....	VIS A SIX PANS CREUX.....	DIN 912-M6 × 8.....	1
442.....	PBD3069-83.....	BILLE.....	Ø5.....	3
443.....	PBD3069-4-43.....	RESSORT.....	0.7×4×10.....	3
444.....	PBD3069-84.....	VIS A SIX PANS CREUX.....	DIN 912-M6 × 6.....	2
446.....	PBD3069-4-46.....	POIGNEE.....		1
447.....	PBD3069-4-47.....	BASE POIGNEE.....		1
448.....	PBD3069-85.....	GOUPILLE.....	DIN 1481-Ø5 × 45.....	1
449.....	PBD3069-4-49.....	ARBRE.....		1

PBD-3069 Liste de pièces de la vue explosée -4

Index N°	Pièce N°	Description	Taille	Qté
450.....	PBD3069-4-50.....	BASE.....		1
451.....	PBD3069-86.....	VIS A SIX PANS CREUX.....	DIN 912-M5 × 10.....	6
452.....	PBD3069-4-52.....	POIGNEE DE L'ARBRE.....		1
453.....	PBD3069-4-53.....	FOURCHE D'ARBRE.....		1
454.....	PBD3069-87.....	GOUPILLE.....	DIN 1481-Φ5 × 20.....	1
455.....	PBD3069-4-55.....	BASE.....		1
456.....	PBD3069-88.....	VIS A SIX PANS CREUX.....	DIN 912-M6 × 20.....	1
457.....	PBD3069-89.....	ECROU.....	DIN 439-M6.....	1
458.....	PBD3069-4-58.....	LEVIER DE CHANGEMENT.....		1
459.....	PBD3069-90.....	ECROU.....	DIN 439-M8.....	2
460.....	PBD3069-91.....	VIS A SIX PANS CREUX.....	DIN 912-M5 × 35.....	2
461.....	PBD3069-4-61.....	POIGNEE DE L'ARBRE.....		1
462.....	PBD3069-4-62.....	BOUTON.....		1
463.....	PBD3069-92.....	RONDELLE.....	DIN 6340-Φ8.....	1
464.....	PBD3069-4-64.....	ROUEA MAIN.....		1
465.....	PBD3069-4-65.....	ARBRE.....		1
466.....	PBD3069-4-66.....	COLLIER GRADUE.....		1
467.....	PBD3069-4-67.....	SUPPORT.....		1
468.....	PBD3069-4-68.....	ARBRE.....		1
469.....	PBD3069-93.....	CLAVETTE.....	DIN 6885-5 × 14.....	1
470.....	PBD3069-94.....	CLAVETTE.....	DIN 6885-3 × 10.....	1
471.....	PBD3069-95.....	BILLES HUILE.....	Φ6.....	1
472.....	PBD3069-96.....	RIVET.....	Φ2 × 6.....	3
473.....	PBD3069-4-73.....	PLAQUE.....		1
474.....	PBD3069-4-74.....	PLAQUE.....		1
475.....	PBD3069-4-75.....	PLAQUE.....		1
476.....	PBD3069-4-76.....	COLLIER.....		1
477.....	PBD3069-4-77.....	TABLIER.....		1

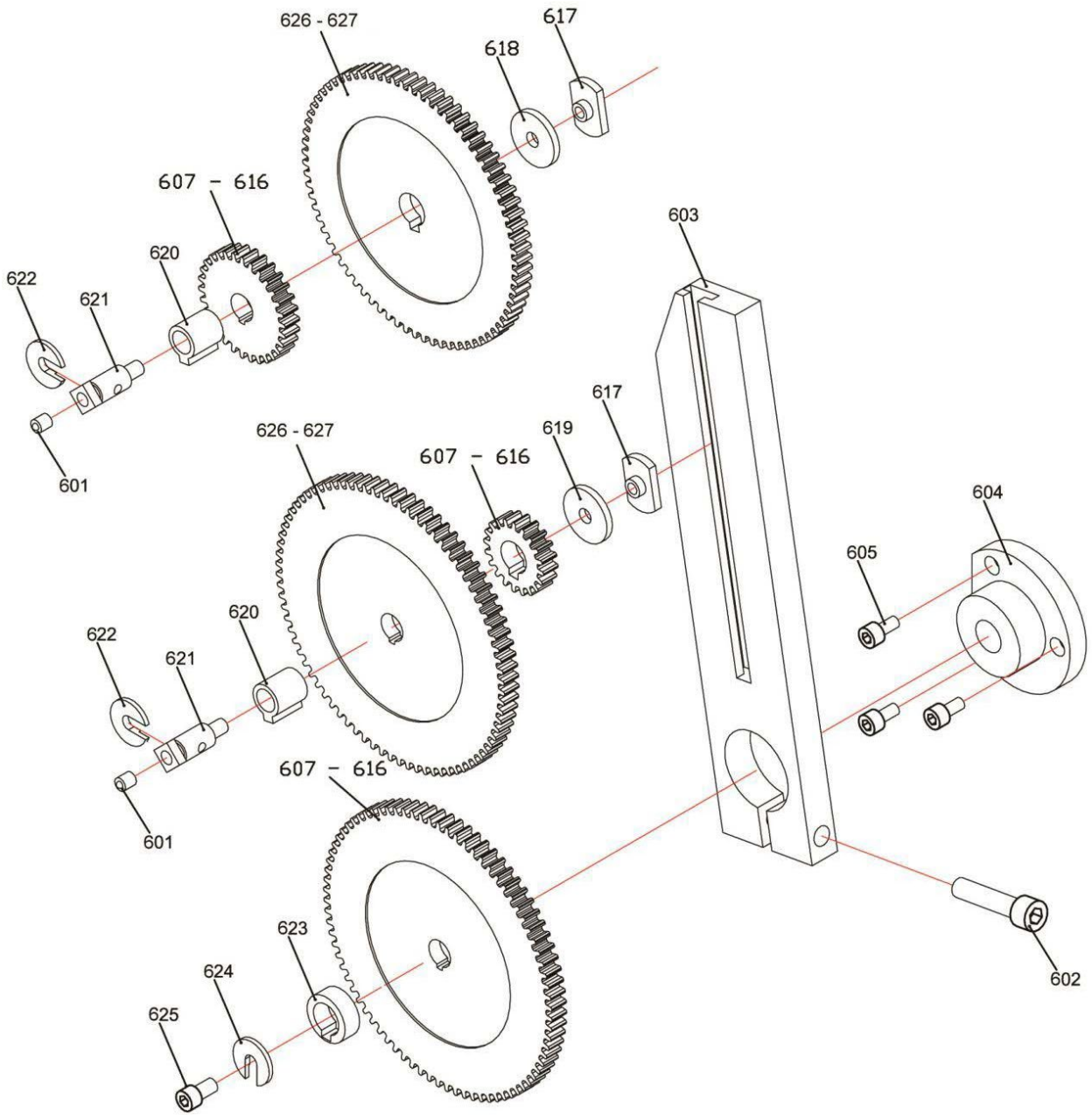
PBD-3069 Vue explosée -5



PBD-3069 Liste de pièces de la vue explosée -5

Index N°	Pièce N°	Description	Taille	Qté
501.....	PBD3069-5-01.....	FOURREAU.....		1
502.....	PBD3069-97.....	CLAVETTE.....		1
503.....	PBD3069-5-03.....	ECROU.....		1
504.....	PBD3069-98.....	VIS A SIX PANS CREUX.....	DIN 912-M6 × 10.....	1
505.....	PBD3069-5-05.....	VIS.....		1
506.....	PBD3069-99.....	CLAVETTE.....	DIN 6885-4 × 10.....	1
507.....	PBD3069-5-07.....	BLOC PIVOT.....		1
508.....	PBD3069-5-08.....	VIS.....		1
509.....	PBD3069-5-09.....	BASE POIGNEE.....		1
510.....	PBD3069-5-10.....	POIGNEE.....		1
512.....	PBD3069-100.....	GOUPILLE.....	DIN 1481-Φ3 × 30.....	1
513.....	PBD3069-101.....	BILLES.....	Φ6.....	4
514.....	PBD3069-5-14.....	CORPS DE LA CONTRE-POUPEE.....		1
515.....	PBD3069-5-15.....	COUVERCLE DE LA BRIDE.....		1
516.....	PBD3069-5-16.....	BAGUE D'INDEXAGE.....		1
517.....	PBD3069-102.....	VIS A SIX PANS CREUX.....	DIN 912-M6 × 10.....	2
518.....	PBD3069-103.....	BILLE.....	Φ4.....	1
519.....	PBD3069-5-19.....	RESSORT.....	Φ4 × 1 × 6.....	1
520.....	PBD3069-5-20.....	MANCHON.....		1
521.....	PBD3069-5-21.....	ROUE A MAIN.....		1
522.....	PBD3069-5-22.....	BOUTON.....		1
523.....	PBD3069-5-23.....	VIS.....		1
524.....	PBD3069-104.....	ECROU.....	DIN 439-M8.....	1
525.....	PBD3069-105.....	RONDELLE.....	DIN 6340-Φ8.....	6
526.....	PBD3069-5-26.....	BLOC DU FREIN.....		1
527.....	PBD3069-106.....	VIS A SIX PANS CREUX.....	DIN 912-M6 × 10.....	1
528.....	PBD3069-107.....	VIS A SIX PANS CREUX.....	DIN 912-M6 × 16.....	1
529.....	PBD3069-5-29.....	VIS DE REGLAGE.....		1
530.....	PBD3069-108.....	VIS A SIX PANS CREUX.....	DIN 912-M8 × 40.....	3
531.....	PBD3069-5-31.....	PLAQUE.....		1
532.....	PBD3069-5-32.....	PLAQUE.....		1
533.....	PBD3069-109.....	RIVET.....	Φ2 × 6.....	8
534.....	PBD3069-5-34.....	BASE.....		1
535.....	PBD3069-5-35.....	BOULON.....		1
536.....	PBD3069-5-36.....	PLAQUE DE SERRAGE.....		1
537.....	PBD3069-5-37.....	BANC.....		1
538.....	PBD3069-110.....	ECROU.....	DIN 439-M8.....	5
539.....	PBD3069-5-39.....	PLAQUE.....		1
540.....	PBD3069-111.....	ECROU.....	DIN 1804-M12 × 1,25.....	2
541.....	PBD3069-112.....	RONDELLE.....	DIN 6340-Φ12.....	2
542.....	TBB-51102.....	PALIER.....	51102.....	2
543.....	PBD3069-5-43.....	SUPPORT.....		1
544.....	PBD3069-113.....	VIS A SIX PANS CREUX.....	DIN 912-M8 × 20.....	2
545.....	PBD3069-5-45.....	ARBRE D'ALIMENTATION.....		1
546.....	PBD3069-114.....	VIS A SIX PANS CREUX.....	DIN 912-M6 × 15.....	6
547.....	PBD3069-115.....	GOUPILLE.....	DIN 1481-Φ6 × 22.....	4
548.....	PBD3069-116.....	GOUPILLE.....	DIN 1481-Φ4 × 22.....	1
549.....	PBD3069-5-49.....	ARBRE.....		1
550.....	PBD3069-117.....	ECROU.....	DIN 439-M12.....	1
551.....	PBD3069-5-51.....	RESSORT.....	Φ13 × 1 × 62.....	1
552.....	PBD3069-5-52.....	BLOC DU FREIN.....		1
553.....	PBD3069-118.....	VIS A SIX PANS CREUX.....	DIN 912-M6 × 10.....	1
554.....	PBD3069-5-54.....	ARBRE.....		1
555.....	PBD3069-5-55.....	POIGNEE.....		1

PBD-3069 Vue explosée -6



PBD-3069 Liste de pièces de la vue explosée -6

Index N°	Pièce N°	Description	Taille	Qté
601	PBD3069-119	HUILEUR DE BILLES	Ø6	2
602	PBD3069-120	VIS A SIX PANS CREUX	M8 × 35 mm	1
603	PBD3069-6-03	RAIL		1
604	PBD3069-6-04	SUPPORT		1
605	PBD3069-121	VIS A SIX PANS CREUX	M5 × 10 mm	3
607	PBD3069-6-07	ENGRENAGE	85	1
608	PBD3069-6-08	ENGRENAGE	80	1
609	PBD3069-6-09	ENGRENAGE	75	1
610	PBD3069-6-10	ENGRENAGE	70	1
611	PBD3069-6-11	ENGRENAGE	65	1
612	PBD3069-6-12	ENGRENAGE	60	2
613	PBD3069-6-13	ENGRENAGE	50	1
614	PBD3069-6-14	ENGRENAGE	45	1
615	PBD3069-6-15	ENGRENAGE	30	1
616	PBD3069-6-16	ENGRENAGE	20	1
617	PBD3069-6-17	ECROU EN T	M5	2
618	PBD3069-6-18	ENTRETOISE	1.5 mm	1
619	PBD3069-6-19	ENTRETOISE	3 mm	1
620	PBD3069-6-20	MANCHON DE CLAVETTE		2
621	PBD3069-6-21	ARBRE FILETE		2
622	PBD3069-6-22	RONDELLE EN C		2
623	PBD3069-6-23	COLLIER		1
624	PBD3069-6-24	RONDELLE EN C		1
625	PBD3069-6-25	VIS A SIX PANS CREUX	M6 × 10 mm	1
626	PBD3069-6-26	ENGRENAGE	90	1
627	PBD3069-6-27	ENGRENAGE	40	1

PBD-3069 Liste des pièces électriques

ELEMENT	DESCRIPTION	TYPE	SPECIFICATION	Qté	Remarque
SB1	Contacteur magnétique	KJD17GF	IP-55 AC-1 18A Ue250V AC-3 15A CE	1	
SA1	Interrupteur avant/0/arrière	ZH-A	Ue 250 V IEN 12 A 5E4 CE	1	
KM	Contacteur	LC1K0910	UI 690 V IEN 20 A CE	1	
TC1	Transformateur	230 V/24 V/20 VA	20 VA 230 V CA CE	1	
TC2	Transformateur	230 V-24 V/20 VA	20 VA 230 V CA CE	1	En option
QS1	Arrêt d'urgence	LAY5	AE-15 240V IEN 10A CE	1	
SQ1	Interrupteur du pare- engrenage	QKS8	AC-15 14A 250V IP54 CE	1	
SQ2	Interrupteur de la protection du mandrin	LXW5-11Q1	AC-15 3A IP62 Ue380V CE	1	
SB2	Interrupteur de lampe	KCD1-101	6 A CA 250 V CE	1	En option
HR	Lampe de travail	24 V	5W AC12-24V CE	1	En option
SA2	Commutateur de la pompe	LAY5-BE101	Ue220V IEN3.3A AC-15 CE	1	En option
M1	Moteur principal	YLJ90L4-12A	1,1 Kw CA 230 V 6,4 A IP54 CE	1	
M2	Pompe	DB-12A	40 W AV 230 V 0,9 A IP54 CE	1	En option



Warranty / Garantie

TOOL FRANCE S.A.S guarantees that the supplied product(s) is/are free from material defects and manufacturing faults.

This warranty does not cover any defects which are caused, either directly or indirectly, by incorrect use, carelessness, damage due to accidents, repairs or inadequate maintenance or cleaning as well as normal wear and tear.

Further details on warranty (e.g. warranty period) can be found in the General Terms and Conditions (GTC) that are an integral part of the contract.

These GTC may be viewed on the website of your dealer or sent to you upon request.

TOOL FRANCE S.A.S reserves the right to make changes to the product and accessories at any time.

TOOL FRANCE S.A.S garantiert, dass das/die von ihr gelieferte/n Produkt/e frei von Material- und Herstellungsfehlern ist.

Diese Garantie deckt keinerlei Mängel, Schäden und Fehler ab, die - direkt oder indirekt - durch falsche oder nicht sachgemäße Verwendung, Fahrlässigkeit, Unfallschäden, Reparaturen oder unzureichende Wartungs- oder Reinigungsarbeiten sowie durch natürliche Abnutzung durch den Gebrauch verursacht werden.

Weitere Einzelheiten zur Garantie können den allgemeinen Geschäftsbedingungen (AGB) entnommen werden.

Diese können Ihnen auf Wunsch per Post oder Mail zugesendet werden.

TOOL FRANCE S.A.S behält sich das Recht vor, jederzeit Änderungen am Produkt und am Zubehör vorzunehmen.

TOOL FRANCE S.A.S garantit que le/les produit(s) fourni(s) est/sont exempt(s) de défauts matériels et de défauts de fabrication.

Cette garantie ne couvre pas les défauts, dommages et défaillances causés, directement ou indirectement, par l'utilisation incorrecte ou inadéquate, la négligence, les dommages accidentels, la réparation, la maintenance ou le nettoyage incorrects et l'usure normale.

Vous pouvez trouver de plus amples détails sur la garantie dans les conditions générales (CG).

Les CG peuvent être envoyées sur demande par poste ou par e-mail .

TOOL FRANCE S.A.S se réserve le droit d'effectuer des changements sur le produit et les accessoires à tout moment.