

**BX-834**  
**BX-834V**  
**BX-840VB**

DRILL PRESS  
SÄULENBOHRMASCHINE  
PERCEUSE À COLONNE



[www.promac.fr](http://www.promac.fr)



**CONTENTS OF THE MANUAL:**

1-1. Unpacking.....	1
1-2. Moving Guide.....	1
1-3. Mounting instructions.....	2
1-4. Main parts.....	3
2. Safety instructions.....	4
3-1. Panel Instruction Manual.....	7
3-2. Illustration and operating procedures.....	8
3-3. Operating Instructions: Select the speed.....	10
3-4. How can I remove the drill.....	12
4. Operating procedures.....	13
5. Troubleshooting.....	14
6. Maintenance.....	15
7. Specification and SPL.....	16
8. Electrical plan.....	17

## 1-1. UNPACKING:

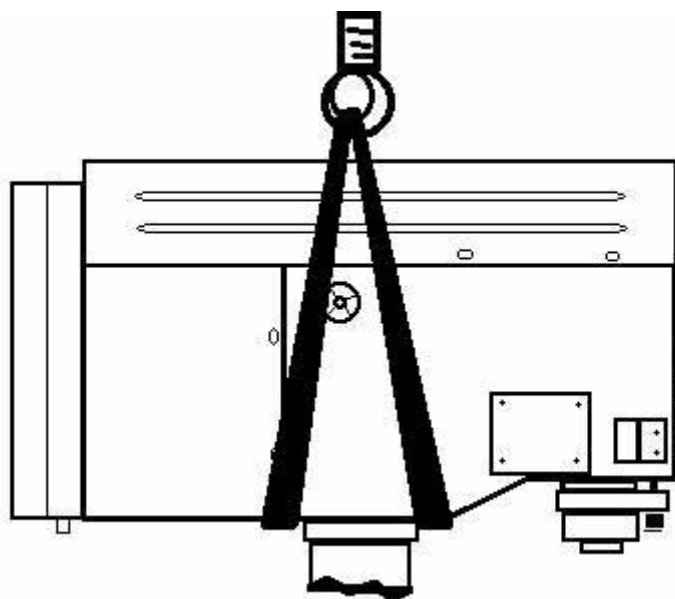
Check before unpacking, if the package is damaged please report the damage to dealer, he will help to provide necessary service to bring the machine back in a proper condition.

Unpacking process:

1. Carefully open the carton. (Pull it from bottom to top)
2. Read and refer to the manual . Carefully check the accessories and attachments. Tell the dealer if anything is missing.
3. Check the machine to ensure it is in normal condition.
4. Clean the surface of the machine.
5. Mount the machine properly by following the operating instructions.

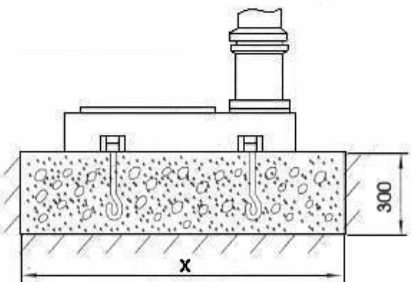
## 1-2. MOVING GUIDE:

1. Please note about the specifications in the operating instructions of the machine weight to arrange proper handling means, make sure a forklift or lifting device to be used to lift the machine.
2. The handling and transport must be carried out by qualified persons.
3. The forklift or lifting device must be operated by a qualified person.
4. When transporting the the machine be careful to maintain balance.
5. When handling the machine, please make sure it is lifted vertically.
6. Make sure that all moving parts are secured in position and all movable equipment has been removed from the machine.
7. Use a proper shoulder strap to secure the machine head firmly.  
Please also ensure the table and the stand are fixed properly and firmly.
8. Make sure when assembling and setting up the machine with care and safety.

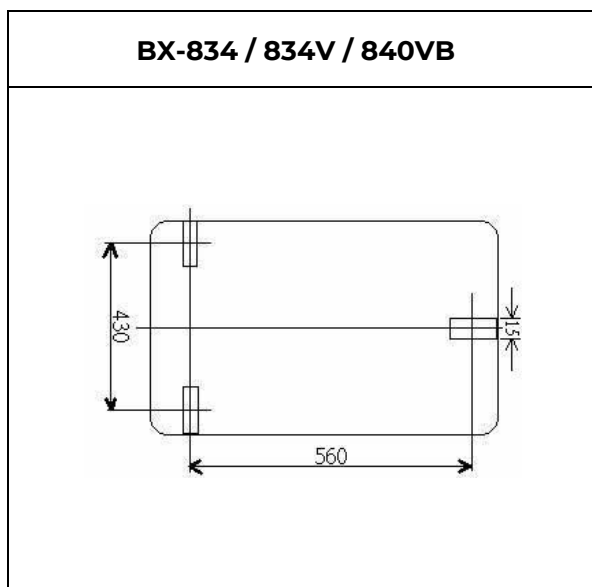


### 1-3. MOUNTING INSTRUCTIONS:

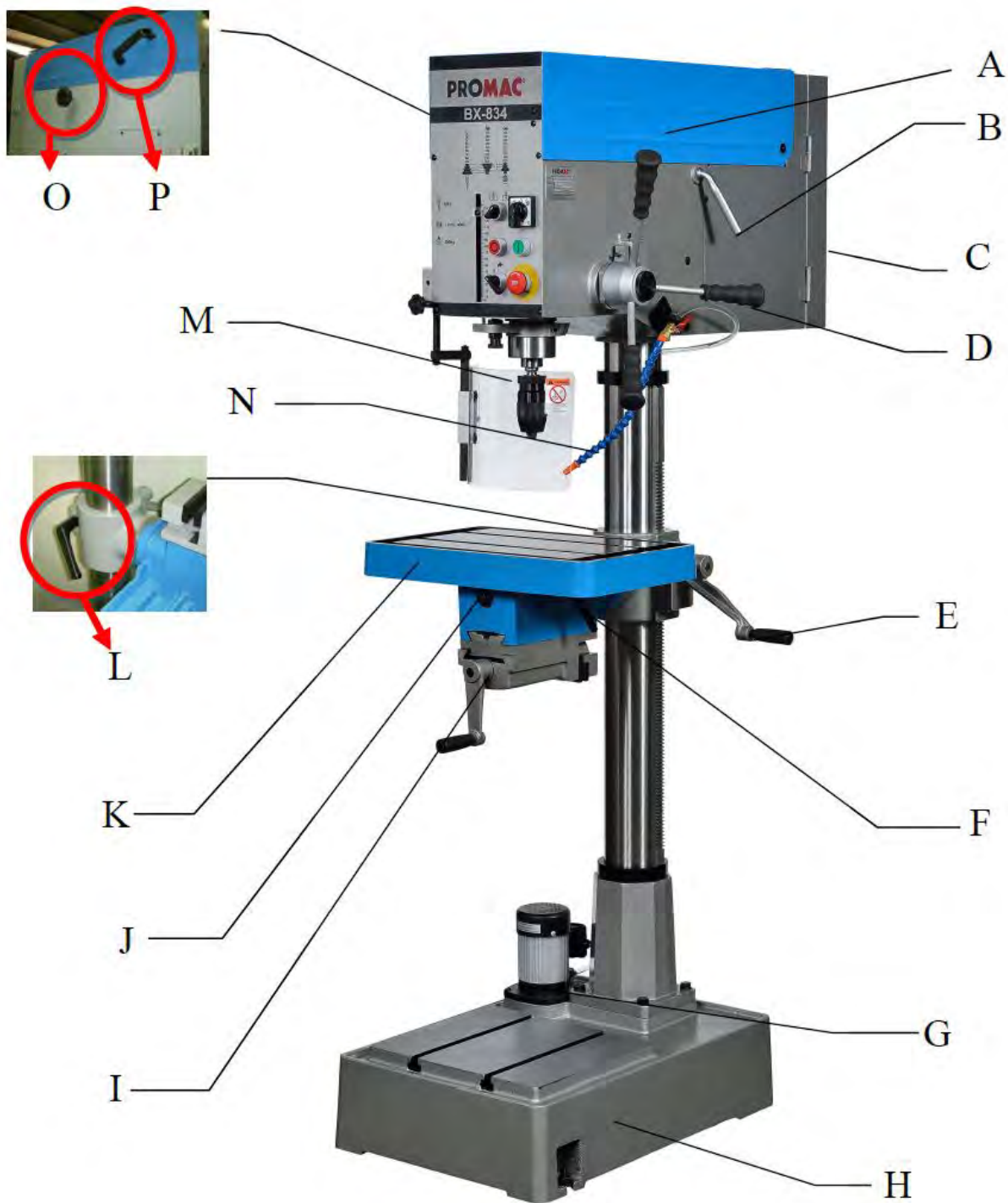
1. Machine foot has three holes. These holes are for mounting to the anchors pre-planned on concrete floor.

Anchor size on the machine ground	Model	Area	Bolt
	BX-834	X=900×700	M12
	BX-834V	X=900×700	M12
	BX-840VB	X=900×700	M12

2. The dimensions of the mounting holes:



1-4. MAIN PARTS:



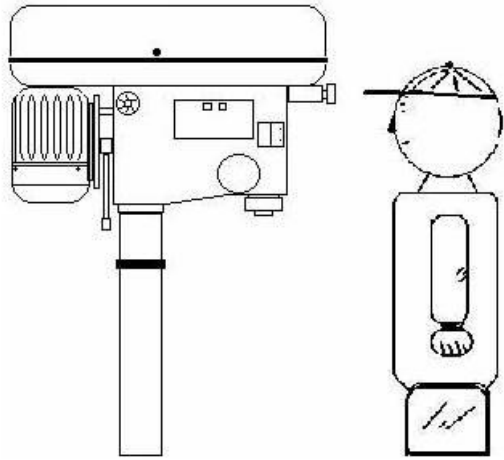
A = Belt cover	I = Vise (for BX-834V and BX-834)
B = Motor clamping lever	J = Vise locking (for BX-834V and BX-834)
C = Electrical box	K = Table
D = Feed lever	L = Clamping handle
E = Table handle	M = Chuck protector
F = Table locking (for 834V BX-and BX-834)	N = Coolant hose
G = Pump motor	O = Belt tension lock
H = Machine foot	P = Pulley belt guard

## 2. SAFETY INSTRUCTIONS:

For your own safety, read the instruction manual before using the machine.

1. Make sure what the voltage of the machine is before connect the connector to the outlet.
2. When the machine is not to be used for a long periods of time , remove the plug from the wall outlet.
3. Never install the power cable in the vicinity of fire and water.
4. The machine must be fixed firmly and securely on a flat concrete floor.
5. The workpiece must be secured with a vise or clamps firmly to the table.
6. Use the recommended coolant (see recommendations in the manual).
7. Feed rate must be within the safe operating zone (see Section 3-3 of the manual).
8. Wear appropriately, do not wear loose clothing such as gloves, neckties, rings and bracelets during operation.  
Always wear safety glasses, hat and special clothes.
9. Check that all parts are securely locked in place prior to transport.
10. Wait for the machine regularly (see instructions in the manual).
11. Use a PROMAC industrial vacuum cleaner to clean the chips.
12. Using a lifting device to move the workpiece if the weight exceeds 10 kg .
13. Wear gloves when installing the drilling tools to prevent hand injuries.
14. This machine can be used with the following materials: brass, cast iron, steel, iron, Aluminum.
15. Do not open the belt cover during operation.
16. Do not use damaged or cracked parts.
17. Do not remove the protective cover during operation.

18. Do not move the table during operation.
19. Use the machine only on the approved capacity.
20. Read this guide to find out more details.
21. Never push your hand or fingers in holes of the workpiece during the operation.
22. Visitors and children are not allowed to go near the work area when the machine is in operation.
23. Do not wear gloves, neckties, rings, bracelets or loose clothing while operation.
24. Do not work with workpieces made of plastic and wood.
25. First, check again the following:
  - A- that the power voltage is correct
  - B- that the machine is completely assembled and installed
  - C- that the chuck of the work table and the work piece is fully secured or fixed firmly.
  - D- that the chuck key is removed from the chuck.
  - E- that the drilling tools on the chuck correctly tightened.
26. Switch off the machine immediately:
  - A- when you fix or remove a workpiece.
  - B- when you perform a normal maintenance, operation, adjustment or repair.
  - C- if the person operating leaves the machine
  - D- if you want to correct a setting on the work table or their position.
  - E- if you want to replace or remove the drill bit.
27. Operating temperature: 5-40 ° C, humidity: 40-50 %, Height: 0-1000 m, Storage temperature: -25-55 ° C
28. Operating local chart for reference:

Diagramm 1		Diagramm 2	
MODEL	Max. Table load		
BX-834	70 kg		
BX-834V	70 kg		
BX-840VB	50 kg		



3-1. PANEL INSTRUCTION MANUAL

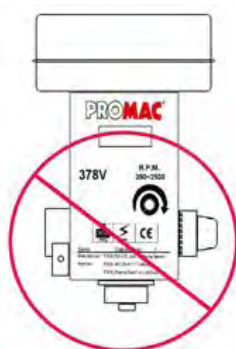
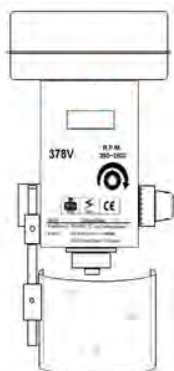
<p style="text-align: center;"><b>BX-834</b></p> <p style="text-align: center;"><b>BX-834</b></p> <p>CE 210 105 CF 290 145 CF 400 200 CF 480 240 CG 540 270 CG 700 375 AG 1400 700 AG 1760 880 BG 2900 1325</p> <p>MT3 1.1kW , 400V 305 Kg</p> <p>Serie: _____ Datum/date: / / Manufacturer: _____ TOOLTEK CO.,208 Yachong, Taiwan Importer: Walter Meier (Tool) AG,CH-8117 Fällanden TOOL(France/Ser.)F-81029 Evry</p> <p>CE</p>	<ul style="list-style-type: none"> <li>A. Speed selector fast - slow</li> <li>B. Start button</li> <li>C. Emergency Stop button</li> <li>D. Depth stop adjustment</li> <li>E. Drill/ Tapping switch</li> <li>F. Stop button</li> <li>G. Pump Switch</li> </ul>
<p style="text-align: center;"><b>BX-834V / BX-840VB</b></p> <p style="text-align: center;"><b>BX-834V</b></p> <p>230-2500 80-1050 80 - 2500 /min</p> <p>8888 /min</p> <p>MT3 1.5kW , 400V 295 Kg</p> <p>Serie: _____ Datum/date: / / Manufacturer: _____ TOOLTEK CO.,208 Yachong, Taiwan Importer: Walter Meier (Tool) AG,CH-8117 Fällanden TOOL(France/Ser.)F-81029 Evry</p> <p>CE</p>	<ul style="list-style-type: none"> <li>A. Speed display</li> <li>B. Speed controller</li> <li>C. Indicator light</li> <li>D. Start button</li> <li>E. Emergency Stop button</li> <li>F. Depth stop adjustment</li> <li>G. Drill/ Tapping switch</li> <li>H. Stop button</li> <li>I. pump switch</li> </ul>

### 3-2. ILLUSTRATION AND OPERATING PROCEDURES:

1. Drilling / Tapping Switch: To set the machine in the drilling or thread mode.
2. Setting the working table and the vise (for 834V BX / BX-834).

Loosen the Screws of the work table and the vise and turn the work table 180 Degrees, so that the vice is up.  
Then tighten the screw firmly.
3. There are two T-slots in the work table. They are used to secure the workpiece.
4. There are two additional T-slots in the machine foot, are intended for the secure of longer, heavier larger work pieces.
5. The speed control is controlled by the speed controller. The speed is in the electronic digital display.  
(only for BX-834V / BX-840VB)
6. The belt tension can be can be adjusted by rotation of the clamping lever on the right side of machine head .
7. Do not open the belt cover during normal operation.
8. Perform no adjustments to the work table during operation.
9. The protective device must be located in the correct position during operation. It is controlled by a microswitch.
10. Press the emergency stop button when the operation must be stopped immediately.
11. This machine is equipped with a tapping attachment. If you want to reverse the direction of spindle rotation during tapping, push up the feed handle. If you want to continue the operation (tapping), press the feed handle down.











### Chuck guard



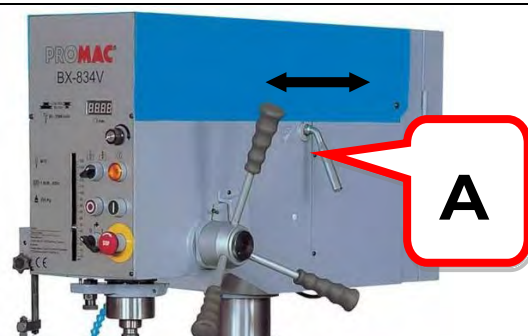
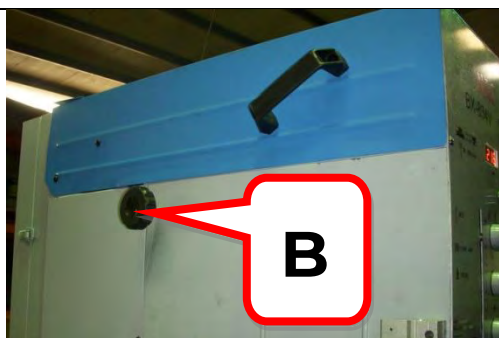
### 3-3. OPERATING NOTES: SELECTION OF SPEED

Open the belt cover and check that the spindle speed revolution/min or (rpm) display for the drilling (thread) is working correctly.

Recommended:

Drilling m/m	Material									
	Cast iron		Steel		Iron		Aluminium		Copper	
										
Ø2	4780	2390	1275	635	3980	1910	7960	3980	4460	2230
Ø3	3185	1590	850	425	2650	1275	5310	2655	2970	1485
Ø4	2390	1195	640	320	1990	955	3980	1990	2230	1115
Ø5	1910	955	510	255	1590	765	3185	1590	1785	890
Ø6	1590	795	425	210	1330	640	2655	1330	1485	745
Ø7	1365	680	365	180	1140	545	2275	1140	1275	635
Ø8	1195	600	320	160	995	480	1990	995	1115	555
Ø9	1060	530	285	140	885	425	1770	885	990	495
Ø10	955	480	255	125	800	380	1590	800	890	445
Ø11	870	435	230	115	725	350	1450	725	910	405
Ø12	795	400	210	105	665	320	1330	665	745	370
Ø13	735	365	195	100	610	295	1225	610	685	340
Ø14	680	340	180	90	570	270	1135	570	635	320
Ø15	640	320	170	85	530	255	1060	530	600	300
Ø16	600	300	160	80	500	240	995	500	560	280
Ø17	560	280	150	75	470	225	935	470	525	260
Ø18	530	265	140	70	440	210	885	440	495	250
Ø19	500	250	135	67	420	200	835	420	470	235
Ø20	480	240	130	65	400	190	795	400	445	225
Ø25	380	190	100	50	320	155	640	320	355	180
Ø30	320	160	85	45	265	130	530	265	300	150
Ø40	240	120	65	30	200	95	400	200	225	110
Note:	For drilling and tapping speed, it should be different setting for different materials . Please make the appropriate adjustments.									

BX-834 / BX-834V / BX-840VB

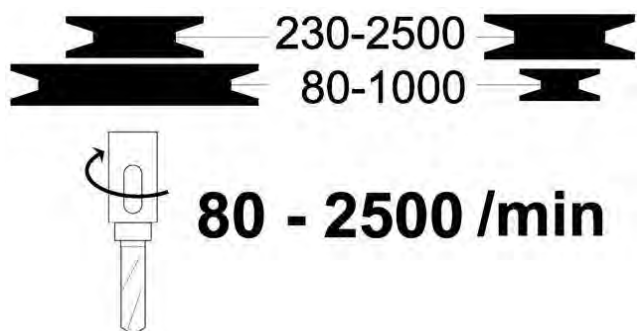


1. Loosen knob B on both sides of the headstock.
2. Push lever A in the direction of the arrow toward to tension the belt.
3. Firmly lock knob B in order to fix the belt tension.

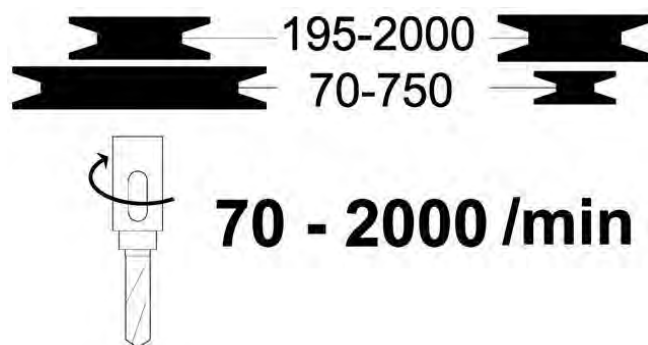
If it is necessary to change the belt position, loosen the knob B on both sides of the spindle head.

Loosen the lever A, Change the belt speed setup to desired speed by reference following speed chart.

BX-834V



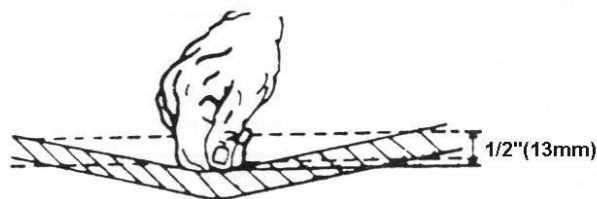
BX-840VB



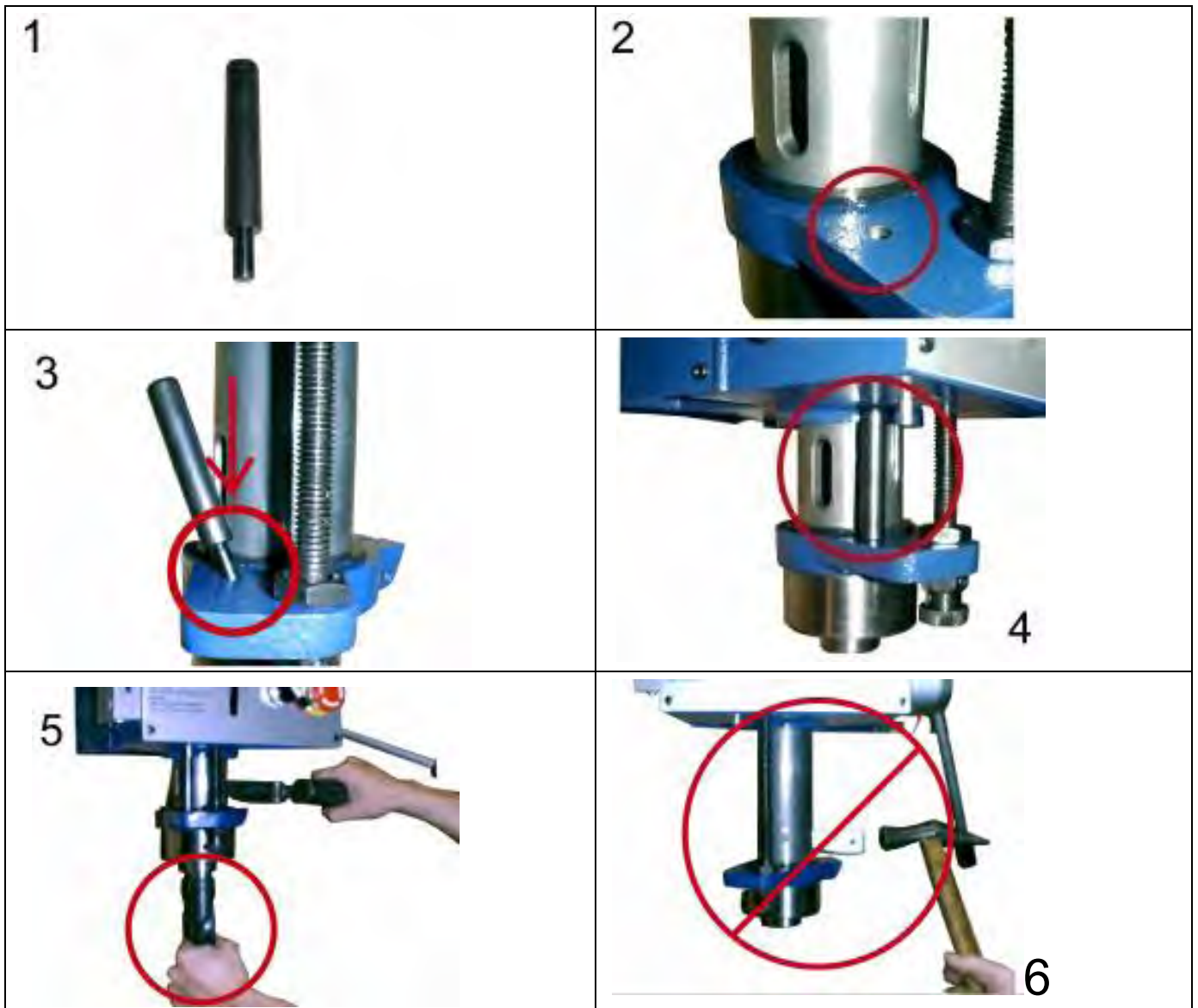
BX-834

DE	210	105
CE	290	145
DF	400	200
BE	480	240
CF	540	270
DG	750	375
AF	1400	700
BG	1760	880
AG	2650	1325

Apply 4,5 kg force on the belt by hand to test the belt tension, the recommended deflection distance is about 13 mm.



**3-4. REMOVE THE DRILL:**



1. Barrel locking.
2. Holes for bolts.
3. Put a pin in hole.
4. Insert bolts as shown in Figure 4 a.
5. It is recommended, as shown in Figure 5  
to use the PROMAC mandrel remove tool Art # 2086 to remove the drilling bit.
6. Do not extend the spindle too far and not use hammer!

## 4. OPERATING PROCEDURES

Caution: Read the instruction manual before operating the machine.

(1) Check the power source

press the start button in order to verify if the motor and the spindle rotate normally.

(2) Speed adjustment

after turning on the power, turn the speed controller from min to the max position turning the switch to change the speed and the current speed is shown on the digital display. (only with electronic LCD types)

(3) Adjust the worktable position:

first loosen the clamp lever in the left hand side and move the table to the right position.

Then, tighten the clamping lever again.

(4) Adjust the height of the work table in the correct position and fasten the screw.

The height of the work table depends on the volume and the height of the workpiece.

If a inclination angle is necessary, first loosen the screw and then change the angular orientation based on the scaling of the work table. finally, tighten the set screw firmly. if a vise is used in a single operation as described above, loosen the set screw, turn 180 degrees and let the clamp flip to the top. Finally, tighten the set screw.

(5) There are two t-slots on the work table. they are intended for fixation of the workpiece.

(6) There are also two slots on the machine base, to fix the longer, heavier and longer workpieces here.

(7) Attach the workpiece on the worktable ,ensure the workpiece position as close as possible to the center of the work table.

(8) Ensure that the above points are met safely. then select a suitable tool for use.

Please note the recommendations in this manual.

(9) Use the belt to adjust the speed if the machine is equipped with a 2-speed motor.

(10) During the operation ,the protective device must locate in proper position. It is equipped with a micro-switch.

If the the protective device is not in the specified location the machine will disconnected from the power supply.

## 5. TROUBLESHOOTING:

**Warning:** Do not begin troubleshooting before turn off the machine and remove the power plug from the power source .

NR.	Problem	Method
1	The drilling tool remains stuck in the workpiece.	<ol style="list-style-type: none"> <li>1. Press the emergency stop button</li> <li>2. Turn off the machine.</li> <li>3. Turn the spindle shaft by hand counter clockwise. Disconnect the tool from the workpiece.</li> <li>4. Clean the chips from the workpiece by a vacuum cleaner.</li> <li>5. Turn the machine back on.</li> <li>6. Perform the operation again at low speed . Make sure that they are running normally and then return to normal speed.</li> </ol>
2	Coolant fluid insufficient or leakage.	<ol style="list-style-type: none"> <li>1. Check if the pump is running.</li> <li>2. Check if the hose is leaking.</li> </ol>
3	Spindle does not rotate with full force	<ol style="list-style-type: none"> <li>1. Check the belt tension.</li> <li>2. If the tension is insufficient, tighten the belt tension as described above, or replace the old belt.</li> </ol>
4	Motor is not running	<ol style="list-style-type: none"> <li>1. Check the power supply and the switch.</li> <li>2. Check if the power cord is damaged. if the cable is damaged, replace it with professional person.</li> </ol>
5	Spindle shaft noise	<ol style="list-style-type: none"> <li>1. Check the ball bearings inside the spindle.</li> <li>2. Check the belt tension, if it is too strong, noise is alsogenerated.</li> </ol>
6	Drill rotates excess runout	<ol style="list-style-type: none"> <li>1. Check the condition of the drill chuck.</li> <li>2. Make sure that the drill is correctly fixed in chuck.</li> </ol>



## 6. MAINTENANCE:

Warning: Do not begin service before turn off the machine and remove the power plug from the power source .

### RECOMMENDED FOR USE: LUBRICANT ISO 68

NR .	Machine parts	Period	Method
1	Column	Every 10 days	1. Apply lubricant
2	Worktable	Every 10 days	1. Removing chips and clean 2. Apply rustproofing
3	Worktable	Every 10 days	1. Avoid damage to the surface of the worktable.
4	Work table / machine foot	Every 10 days	1. After running, the table must return to the original position to avoid deformations.
5	Column	Every 10 days	1. Column free of stains 2. Add lubricants to prevent rust 3. When damages on the surface was found on column, fix this or replace the column.
6	Panel	Every 10 days	1. Wipe off cutting fluid or oil stains
7	Power cable	Every week	1. Check cable for damage
8	Pump	1. Use	1. Check direction of flow 2. If it is running in the opposite direction, the rotation must exchange through corrected current phases (via specialist).
9	Coolant	Every 3 months	1. Check on fluid level and chemical reactions observed.
10	Motor	Every 3 months	1. Remove dust from the motor. Keep the motor dry.
11	Machine foot	Every day	1. Apply cleaning and rust protection
12	V-belt	Every week	1. For correct belt tension and check aging
13	Table elevation	Every week	1. Remove dust and chips, and then apply lubricant.
15	Belt cover	Every week	1. Make sure that the belt cover closes properly.
16	Spindle	Every day	1. Make sure the spindle can restore properly. 2. Apply lubricant
17	Toothed rack	Every week	1. Remove dust and chips 2. Apply lubricant
18	Microswitch Emergency stop switch	Every day	1. Turn the switch on and off. 2. Replaced by a new one when the switch is damaged or repair it immediately.

**Overview of models and belt**

Machine model	Belt specifications	Number
BX-834	5340	2
BX-834V	5PK1335	1
BX-840VB	5PK1495	1

**7. SPECIFICATIONS AND SPL:**

Post \ Model		BX-834	BX-834V	BX-840VB
Drilling capacity (mm)		Ø32		Ø40
Tapping capacity (mm)		M4 ~ M20		M4 ~ M20
Throat (mm)		230 mm		300 mm
Spindle		MT#3		MT#4
Spindle stroke(mm)		140 mm		145 mm
Number of spindle speeds		9 × 2 steps	Variable speeds	Variable Speeds
Spindle Speed	50 Hz	105-2650/min	80-2500/min	70-2000/min
Column diameter (mm)		Ø102 mm		Ø115 mm
Table size (m/m)		T 320 × 480mm		T 400 × 470mm
Foot size (mm)		T 660 × 465 mm		T 660 × 465 mm
Motor		1.1kW 400V 3Ph	1.5kW 400V 3Ph	2.2kW 400V 3Ph
Net weight(kg)		N.W-305Kg	N.W-295Kg	N.W-300Kg
Pack size (mm)		1110 × 570 × 2030mm		1160 × 570 × 2060mm
Packing cartons per machine		1		1

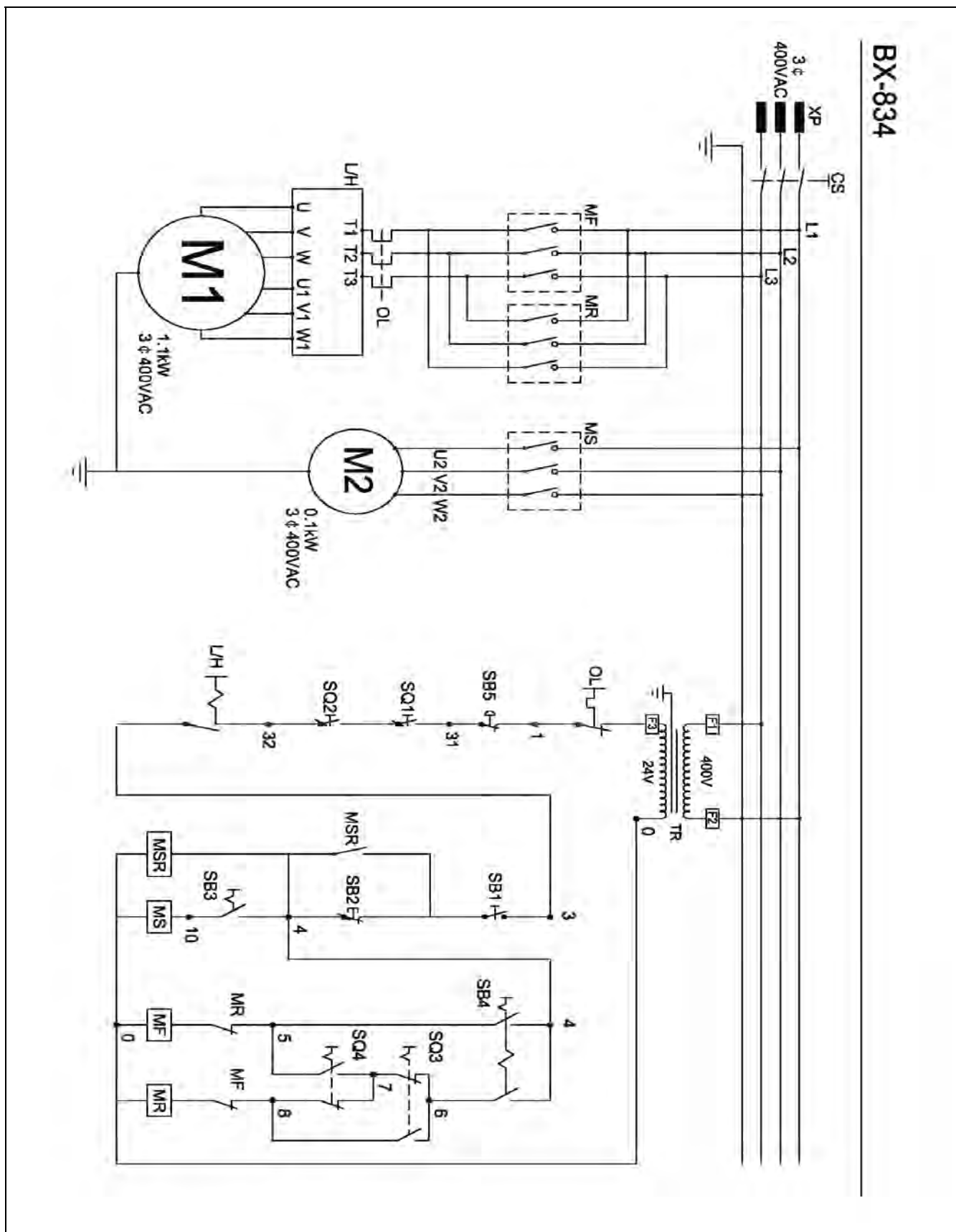
	BX-834	BX-834V	BX-840VB
A	1810		1900
B	330		347.5
C	230		230
D	880		1100
E	720		715
F	1130		1145
G	1000		1050
H	230		300



**ELECTRICAL PARTS LIST**

Part No.	Component / Object	Type / Model	Ratings / Technical Data	PCS	Complies with the following standard	Marks of conformity granted
CS	GENERALON / OFF SWITCH	ZH-C316	AC 440V 16A	1	EN60947	CE
KA1	CONTACTOR	C-12D	AC 440V/24V/12A	1	IEC 947-4-1	CE UL SA
KA2	CONTACTOR	C-12D	AC 440V/24V/12A	1	IEC 947-4-1	CE UL SA
TR	TRANSFORMER	SL-2930N	AC400V/24V/7.2VA	1	IEC61558-1/-2-4	CE
SB1	PUSH BUTTON	GBF-22	INOAC125V, 6A	1	IEC144	CSA CE
SB2	PUSH BUTTON	GBF-22	INCAC125V, 6A	1	IEC144	CSA CE
SB3	SELECTION SWITCH PUMP	GLCS-22	INCAC125V, 6A	1	IEC144	CSA CE LR108205-2
SB4	SELECTION SWITCH (DRILL/TAP)	GCS-22	INAAAC125V,6A	1	IEC144	CSA CE LR108205-2
SB5	EMERGENCY STOP	GLEB-22	INCAC125V, 6A	1	IEC144	CSA CE LR108205-2
VFD-E	INVERTER	VFD-E	AC 400V / 1.5kW AC 400V / 2.2kW	1	EN 50178 EN 61800-3	CE EMC
U2	BRAKING RESISTOR	QSOJ013	200W250Ω	1		
VR	SPEED ADJUSTING KNOB	RV24YN	DC 10V	1		
M1	MOTOR MAIN SPINDLE	BX-834V BX-840VB	1.5kW / AC 400V / 3Ph 2.2kW / AC 400V / 3Ph	1		
M2	MOTOR PUMP	8150	0.1kW/AC 400V/3Ph	1		
M3	MOTOR COOLING FAN	UF-12A38	AC 400V/1PH	1		
SQ1	MICOR SWITCH CHUCK GUARD	VS10N001C2	AC 250V / 10A	1		
SQ2	MICOR SWITCH COVER GUARD	QKS8	AC 250V / 12A	1	VDE0660 EN60947-5-1	
SQ3	LIMITSWITCH TAPPING	Z-15GW2-B	AC 250V / 15A	1	EN 61058-1 VDE	
SQ4	LIMITSWITCH REVERSE	VX-5-1A2	AC 250V / 5A	1	VDE	
XP	SOCKET	TBC-20	AC 600V / 10A	16		UL
F1.F2.F3	FUSE STE	MFB-103	FUSE-F1.F2-0.5A FUSE-F3-3A	3		
KR1	RELAY	BMY5-2C5-S-CWL	24VAC / 28V 5A	1		
AL	Fault	PLN22Y24	AC 30V,0.5A	1	IEC144	CSA CE
RPM	RPM DISPLAY UNIT	RPM108	440V	1		

ELECTRICAL DIAGRAM / ELEKTRISCHE ANLAGE / SCHÉMA ÉLECTRIQUE



**ELECTRICAL PARTS LIST**

Part No.	Component / Object	Type / Model	Ratings / Technical Data	PCS	Complies with the following standard	Marks of conformity granted
CS	GENERALON/OFF SWITCH	ZH-C316	AC 440V 16A	1	EN60947	CE
MR	CONTACTOR	KNL9-01	AC 440V/24V/12A	1	IEC 60947-4-1	CE UL SA
MF	CONTACTOR	KNL9-01	AC 440V/24V/12A	1	IEC 60947-4-1	CE UL SA
OL	OVERLOAD	NTH-6.5	AC 600V 6A (4.5-6.5A)	1	IEC 60947-4-1	CE UL SA
MSR	RELAY	JQX-13F	AC24V 5A	1		CE UL SA
MS	RELAY	BMY5-2C5-S-CL	24VAC / 28V 5A	1		CE UL SA
SB1	PUSH BUTTON	GBF-22	INOAC 125V, 6A	1	IEC 144	CSA CE
SB2	PUSH BUTTON	GBF-22	INC AC 125V, 6A	1	IEC 144	CSA CE
SB3	SELECTION SWITCH PUMP	GLCS-22	INC AC 125V, 6A	1	IEC 144	CSA CE LR108205-2
SB4	SELECTION SWITCH (DRILL/TAP)	GCS-22	INAAC 125V, 6A	1	IEC 144	CSA CE LR108205-2
SB5	EMERGENCY STOP	GLEB-22	INC AC 125V, 6A	1	IEC 144	CSA CE LR108205-2
L/H	CAM SWITCH	AC-22A	AC 600V 20A	1	IEC 60947-3	CSA CE
M1	MOTOR MAIN SPINDLE	BX-834	1.1kW / AC 400V/3Ph	1		
M2	MOTOR PUMP	8150	0.1kW / AC 400V/3Ph	1		
SQ1	MICOR SWITCH CHUCK GUARD	VS10N001C2	AC 250V / 10A	1		
SQ2	MICOR SWITCH COVER GUARD	QKS8	AC 250V / 12A	1	VDE0660 EN60947-5-1	
SQ3	LIMIT SWITCH TAPPING	Z-15GW2-B	AC 250V / 15A	1	EN 61058-1 VDE	
SQ4	LIMIT SWITCH REVERSE	VX-5-1A2	AC 250V / 5A	1	VDE	
XP	SOCKET	TBC-20	AC 600V / 10A	16		UL
TR	TRANSFORMER	SL-2930N	AC 400V / 24V 7.2VA	1	IEC 61558-1 / -2-4	CE
F1.F2.F3	FUSE STE	MFB-103	FUSE-F1.F2-0.5A FUSE-F3-3A	3		

### FAULT CODE INFORMATION AND MAINTENANCE

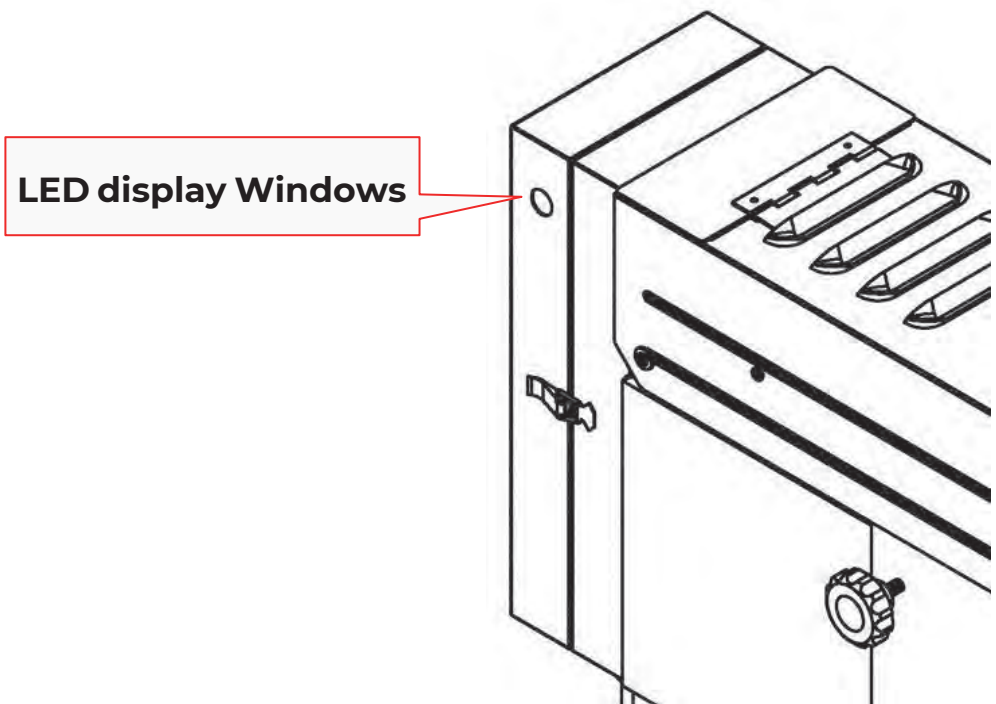
**NOTE: tampering with electronic must only be performed by trained personnel only!**

Note Troubleshooting: The Model BX-834V / BX-840VB is equipped with an electronic Diagnostics program provided information of failure such as motor overload, high or low voltage, etc.

Discovered on the machine when an error happened, it will stop automatically and the error is on the LED display is shown.

Follow the description below to solve the problem.

Press the start button (Reset) to start the engine again.



Fault Name	Fault Descriptions	Corrective Actions
OC	Over current Abnormal increase in current.	<ol style="list-style-type: none"> <li>1. To check whether the voltage with the motor and the electronic motor controller match.</li> <li>2. The cabling between the electronic Motor controller and motor.</li> </ol>
Ov	Over voltage The DC bus voltage has exceeded its maximum allowable value.	Check that the input voltage circuit with the electronic governor matches.
OH1 OH2	Overheating Heat sink temperature too high	<ol style="list-style-type: none"> <li>1. To make sure that the vents not clogged.</li> <li>2. Check that the heat sink free of debris and dirt.</li> </ol>

Fault Name	Fault Descriptions	Corrective Actions
L U	<p>Low voltage</p> <p>The AC motor drive detects that the DC bus voltage has fallen below its minimum value.</p>	<p>Check that the input voltage circuit with the electronic governor matches.</p>
o l	<p>Overload</p> <p>The AC motor drive detects excessive drive output current.</p> <p>NOTE: The AC motor drive can withstand up to 150% of the rated current for a maximum of 60 seconds.</p>	<p>Check if the motor was overloaded.</p>
o l 1	<p>Overload 1</p> <p>Internal electronic overload trip</p>	<p>Check if the motor was overloaded.</p>
o l 2	<p>Overload 2</p> <p>Motor overload.</p>	<p>Reduce the motor load.</p>
o c A	<p>Over-current during acceleration</p>	<p>Check for broken insulation on the wiring at the output of the motor controller.</p>
o c d	<p>Over-current during deceleration</p>	<p>Check for broken insulation on the wiring at the output of the motor controller.</p>
o c n	<p>Over-current during constant speed operation</p>	<p>Check for broken insulation on the wiring at the output of the motor controller.</p> <p>Motor control.</p>
c F 1.0	<p>The electronic motor control system has an internal error detected.</p>	<ol style="list-style-type: none"> <li>1. Turn the machine off.</li> <li>2. The machine starts again.</li> <li>3. If the LED display still displays the same error message, contact your service station.</li> </ol>
c F 1.1		
c F 2.0	<p>The electronic motor management has wrong Data cannot be found or be programmed.</p>	
c F 2.1		
c F 3.0	<p>The electronic motor control works not correct.</p>	
c F 3.1		
c F 3.2		
c F 3.3		
c F 3.4		
c F 3.5		
G F F	<p>Grounding or fuse fault.</p>	<ol style="list-style-type: none"> <li>1. Check that the ground is mounted correctly.</li> <li>2. Turn the machine start again.</li> <li>3. If the LED display stills display the same error message, contact your service station.</li> </ol>



**INHALT DER ANLEITUNG:**

1-1. Auspacken.....	1
1-2. Transportanleitung.....	1
1-3. Befestigungsanleitung.....	2
1-4. Hauptteile.....	3
2. Sicherheitsanweisungen.....	4
3-1. Anleitung zum Bedienfeld.....	7
3-2. Betriebsillustration und verfahren.....	8
3-3. Betriebshinweise: Auswahl der Geschwindigkeit.....	10
3-4. So lässt sich die Bohrwerkzeug entfernen.....	12
4. Betriebsverfahren.....	13
5. Fehlerbehebung.....	14
6. Wartung.....	15
7. Spezifikation und Schalldruck.....	16
8. Elektrischer Plan.....	17
9. Stückliste mit Ersatzteilzeichnung.....	21

## 1-1. AUSPACKEN:

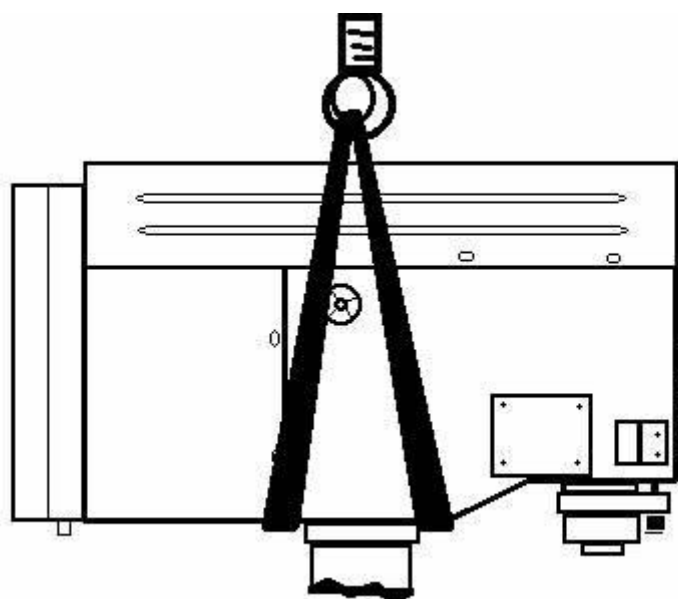
Prüfen Sie vor dem Auspacken, ob die Verpackung beschädigt ist. Melden Sie dem Händler Schäden, er wird das Nötige unternehmen um die Maschine in einen einwandfreien Zustand zu bringen.

Auspackverfahren:

1. Öffnen Sie vorsichtig den Karton. (Ziehen Sie ihn von unten nach oben)
2. Entnehmen Sie das Handbuch und lesen Sie. Überprüfen Sie sorgfältig das Zubehör und die Anbauteile.  
Informieren Sie den Händler, falls etwas fehlen sollte.
3. Überprüfen Sie die Maschine, um sicherzustellen, dass sie sich in normalem Zustand befindet.
4. Reinigen Sie die Oberfläche der Maschine.
5. Montieren Sie die Maschine richtig durch Befolgen der Bedienungsanleitung.

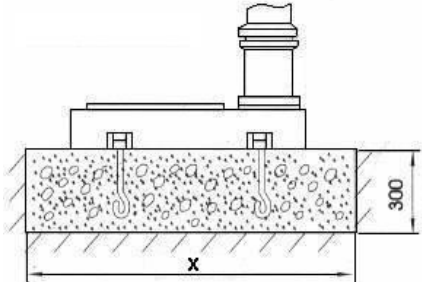
## 1-2. TRANSPORTANLEITUNG:

1. Bitte beachten Sie Bedienungsanleitung hinsichtlich der Spezifikation und des Maschinengewichts, um die Handhabung zu arrangieren. Achten Sie darauf, einen Gabelstapler oder eine Hebevorrichtung zu verwenden, um die Maschine zu heben.
2. Die Handhabung und der Transport muss von qualifizierten Personen durchgeführt werden.
3. Der Gabelstapler oder die Hebevorrichtung muss von einer qualifizierten Person bedient werden.
4. Achten Sie beim Transport auf das Gleichgewicht der Maschine.
5. Bei der Handhabung muss die Maschine nur in vertikaler Richtung angehoben werden.
6. Stellen Sie vor der Handhabung sicher, dass alle beweglichen Teile in ihrer Position gesichert sind und sämtliches bewegliches Zubehör von der Maschine entfernt worden ist.
7. Verwenden Sie einen geeignete Traggurt, um den Maschinenkopf fest und eng zu binden. Stellen Sie sicher, dass der Tisch und der Ständer richtig und fest fixiert sind.
8. Achten Sie bei Aufbau und Einrichtung der Maschine auf Sorgfalt und Sicherheit.

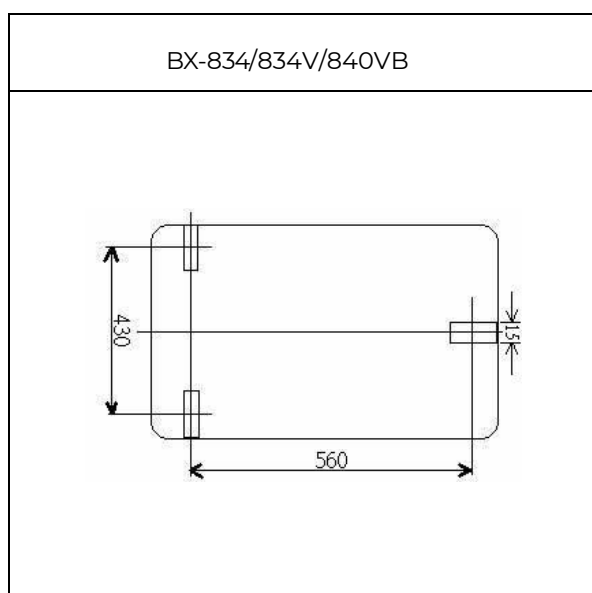


### 1-3. BEFESTIGUNGSANLEITUNG:

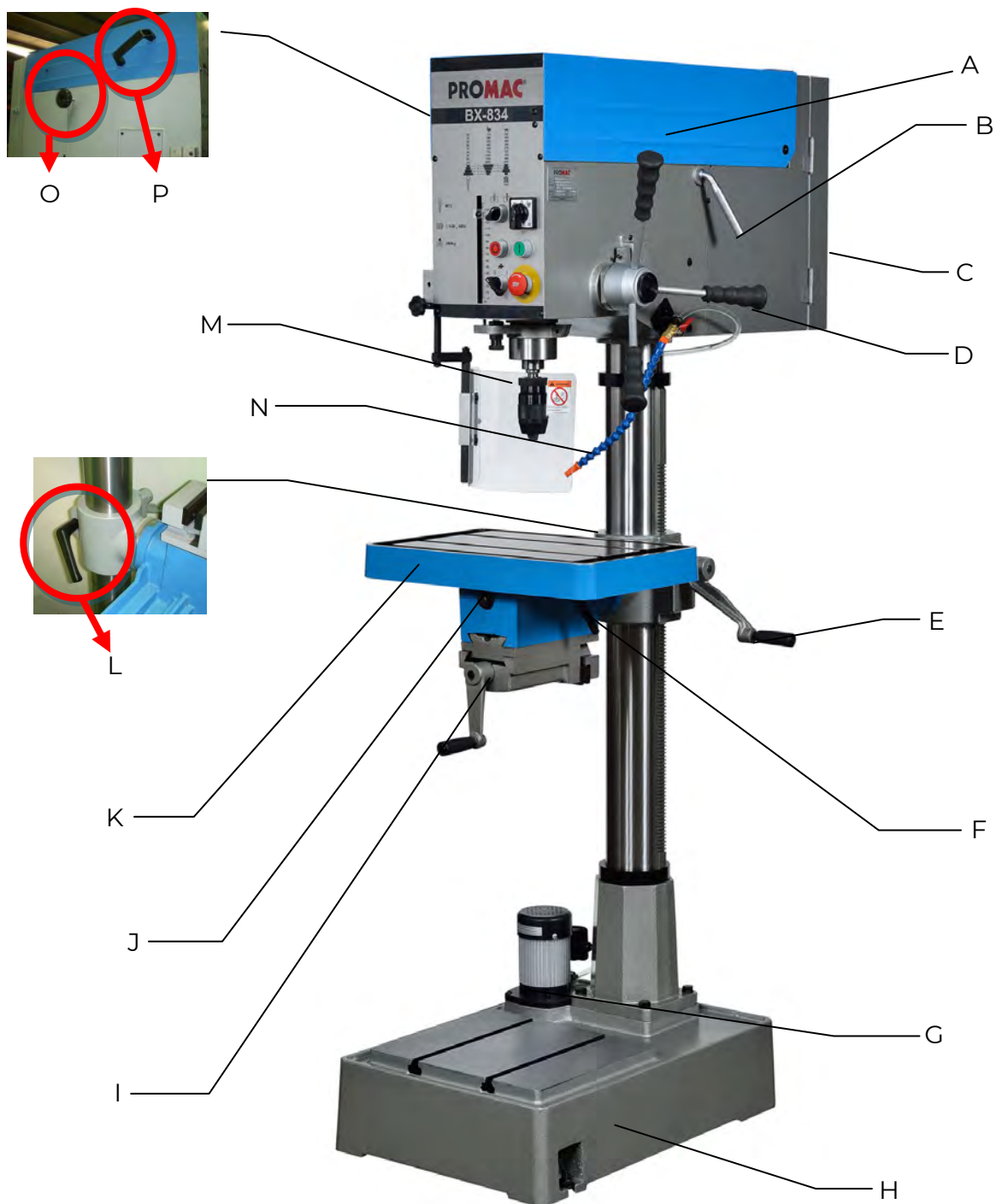
1. Am Maschinenfuß befinden sich drei Löcher. Diese Löcher sind zur Befestigung der Maschine auf dem Betonboden gedacht.

Setzen und verankern der Maschine auf dem Boden	MODELL	BEREICH	BEFESTIGUNGSSCHRAUBE
	BX-834	X=900×700	M12
	BX-834V	X=900×700	M12
	BX-840VB	X=900×700	M12

2. Die Ausmaße der Befestigungslöcher:



1-4. HAUPTTEILE:



A= Riemenabdeckung	I= Schraubstock (bei BX-834V und BX-834)
B= Motorenspannhebel	J= Schraubstockverriegelung (bei BX-834V und BX-834)
C=Elektrokasten	K= Tisch
D= Vorschubhebel	L= Klemmgriff
E= Tischdrehgriff	M= Schutzvorrichtung
F= Tischverriegelung (bei BX-834V und BX-834)	N= Kühlmittelschlauch
G= Pumpenmotor	O=Riemenspannungsverriegelung
H= Maschinenfuss	P=Griff Abdeckung

## 2. SICHERHEITSANWEISUNGEN

**Lesen Sie vor Inbetriebnahme der Maschine zu Ihrer eigenen Sicherheit die Bedienungsanleitung.**

1. Stellen Sie sicher, dass die elektrische Spannung der Maschine korrekt ist, bevor Sie den Stecker an eine Steckdose anschließen.
2. Wenn die Maschine für längere Zeit nicht verwendet werden soll, muss der Stecker von der Steckdose entfernt werden.
3. Installieren Sie das Stromkabel nie in die Nähe von Feuer und Wasser.
4. Die Maschine muss stabil und sicher auf einem flachen Betonboden befestigt sein.
5. Das Werkstück muss mit einem Schraubstock oder eine Spannvorrichtungen fest am Tisch fixiert sein.
6. Verwenden Sie die empfohlene Kühlflüssigkeit (siehe Empfehlungen in der Anleitung).
7. Vorschubgeschwindigkeit muss im sicheren Betriebsbereich liegen (siehe Abschnitt 3-3 der Anleitung).
8. Tragen Sie angemessene keine zu weite Kleidung wie Handschuhe, Krawatten, Ringe und Armbänder während des Betriebs.  
Tragen Sie immer eine Schutzbrille, Kappe und spezielle Kleidung.
9. Prüfen Sie, dass alle Teile vorhanden und vor dem Transport sicher verriegelt sind.
10. Warten Sie die Maschine regelmäßig (siehe Anweisungen im Handbuch).
11. Verwenden Sie einen PROMAC Industriestaubsauger, um die Späne zu reinigen.
12. Verwenden Sie eine Hebevorrichtung, um das Werkstück zu bewegen, wenn es das Gewicht von 10 kg überschreitet.
13. Tragen Sie bei der Installation der Bohrwerkzeuge Handschuhe, um Handverletzungen zu vermeiden.
14. Diese Maschine kann bei folgenden Materialien verwendet werden: Messing, Gusseisen, Stahl, Eisen, Aluminium.

15. Öffnen Sie keinesfalls die Riemenabdeckung während des Betriebs.
16. Verwenden Sie keinesfalls beschädigte oder gerissene Teile.
17. Entfernen Sie keinesfalls die Schutzabdeckung während des Betriebs.
18. Bewegen Sie keinesfalls den Tisch während des Betriebs.
19. Verwenden Sie die Maschine keinesfalls über der zugelassenen Kapazitätsgrenzen.
20. Lesen Sie diese Anleitung, um weitere Details zu erfahren.
21. Schieben Sie keinesfalls Ihre Hand oder Ihren Finger in Lochungen des Werkstücks während des Betriebs.
22. Besucher und Kinder dürfen sich keinesfalls in der Nähe des Arbeitsbereichs aufhalten, wenn die Maschine in Betrieb ist.
23. Tragen Sie keinesfalls Handschuhe, Krawatten, Ringe, Armbänder oder weite Kleidung während des Betriebs.
24. Arbeiten Sie nicht mit Werkstücken aus Plastik und Holz.
25. Prüfen Sie vor Inbetriebnahme nochmals Folgendes:
  - A- dass die Stromspannung korrekt ist
  - B- dass die Maschine vollständig montiert und installiert ist
  - C- dass das Spannfutter, der Arbeitstisch und das Arbeitsstück vollständig gesichert oder fest fixiert sind.
  - D- dass der Bohrfutterschlüssel aus dem Futter entfernt worden ist.
  - E- dass das Bohrwerkzeuge am Spannfutter korrekt gespannt ist.
26. Schalten Sie die Maschine sofort aus:
  - A- wenn Sie ein Werkstück fixieren oder entfernen.
  - B- wenn Sie eine normale Wartung, Bedienung, Anpassung oder Reparatur durchführen.
  - C- wenn die bedienende Person die Maschine verlässt
  - D- wenn Sie eine Einstellung am Arbeitstisch oder ihre Position korrigieren möchten.
  - E- wenn Sie die Bohrwerkzeuge austauschen oder entfernen wollen.

27. Betriebstemperatur: 5-40°C, Luftfeuchtigkeit: 40-50, Höhe: 0-1000 m,

Lagertemperatur: -25-55°C

28. Betriebsortdiagramm als Referenz:

Diagramm 1		Diagramm 2
MODEL	Max. Tischbelastung	
BX-834	70 kg	
BX-834V	70 kg	
BX-840VB	50 kg	

3-1. ANLEITUNG ZUM BEDIENFELD:

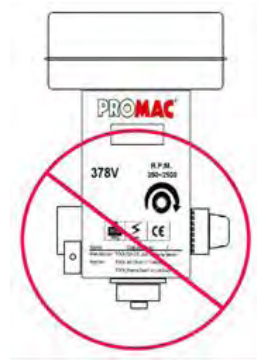
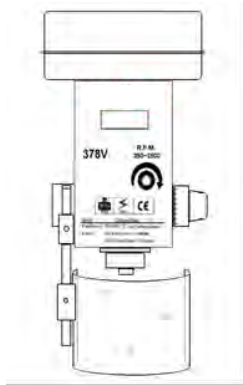
<p style="text-align: center;"><b>BX-834</b></p> <table border="1" style="font-size: small; margin: 10px;"> <tr><td>DE</td><td>210</td><td>100</td></tr> <tr><td>CE</td><td>220</td><td>145</td></tr> <tr><td>DF</td><td>400</td><td>200</td></tr> <tr><td>BE</td><td>450</td><td>240</td></tr> <tr><td>CF</td><td>540</td><td>270</td></tr> <tr><td>CG</td><td>750</td><td>375</td></tr> <tr><td>AF</td><td>1400</td><td>700</td></tr> <tr><td>BC</td><td>1750</td><td>850</td></tr> <tr><td>AG</td><td>2850</td><td>1325</td></tr> </table> <p>Labels: E, F, G, A, B, C, D</p>	DE	210	100	CE	220	145	DF	400	200	BE	450	240	CF	540	270	CG	750	375	AF	1400	700	BC	1750	850	AG	2850	1325	<ul style="list-style-type: none"> <li>A. Drehzahlwahlschalter schnell - langsam</li> <li>B. Startdrücker</li> <li>C. Not-Aus-Taste</li> <li>D. Tiefenanschlageinstellung</li> <li>E. Bohr-/Gewindeschalter</li> <li>F. Stopptaste</li> <li>G. Pumpenschalter</li> </ul>
DE	210	100																										
CE	220	145																										
DF	400	200																										
BE	450	240																										
CF	540	270																										
CG	750	375																										
AF	1400	700																										
BC	1750	850																										
AG	2850	1325																										
<p style="text-align: center;"><b>BX-834V / BX-840VB</b></p> <p>Labels: G, H, I, A, B, C, D, E, F</p>	<ul style="list-style-type: none"> <li>A. Drehzahlanzeige</li> <li>B. Drehzahlregler</li> <li>C. Kontrollleuchte</li> <li>D. Starttaste</li> <li>E. Not-Aus-Taste</li> <li>F. Tiefenanschlageinstellung</li> <li>G. Bohr-/Gewindeschalter</li> <li>H. Stopptaste</li> <li>I. Pumpenschalter</li> </ul>																											



### 3-2. BETRIEBSILLUSTRATION UND –VERFAHREN:

1. Bohr-/Gewindeschalter: Zum einstellen der Maschine in den Bohr- oder Gewindemodus.
2. Einstellen des Arbeitstisches und des Schraubstocks (nur für BX-834V / BX-834). Lösen Sie die Stellschrauben des Arbeitstisches und des Schraubstocks und drehen Sie den Arbeitstisch um 180 Grad, so dass sich der Schraubstock oben befindet. Ziehen Sie dann die Schraube fest an.
3. Es gibt zwei T-Nuten im Arbeitstisch. Sie sind zur Befestigung des Werkstücks da.
4. Es gibt zwei weitere T-Nuten im Maschinenfuss, die zur Befestigung von längeren, schwereren und größeren Werkstücken gedacht sind.
5. Die Drehzahleinstellung wird durch den Drehzahlregler gesteuert. Die Geschwindigkeit wird in der elektronischen Digitalanzeige angezeigt. (nur für BX-834V/BX-840VB)
6. Die Riemenspannung kann durch eine Drehung des Spannhebels auf der rechten Seite des Maschinenkopfes angepasst werden.
7. Öffnen Sie keinesfalls die Riemenabdeckung während des normalen Betriebs.
8. Führen Sie während des Betriebs keine Anpassungen am Arbeitstisch durch.
9. Die Schutzvorrichtung muss sich während des Betriebs in der korrekten Position befinden. Sie wird durch einen Mikroschalter gesteuert.
10. Betätigen Sie die Not-Aus-Taste, wenn der Betrieb plötzlich angehalten werden muss.
11. Diese Maschine ist mit einer Gewindebohrvorrichtung ausgerüstet.  
Wenn Sie während des Gewindebohrens die Spindel-Drehrichtung umkehren wollen, ziehen Sie den Vorschubgriff hoch.  
Wenn Sie den Arbeitsvorgang (Gewindebohren) fortsetzen möchten, drücken Sie den Vorschubgriff nach unten.

### Spanfutterschutzvorrichtung













### 3-3. BETRIEBSHINWEISE: AUSWAHL DER GESCHWINDIGKEIT

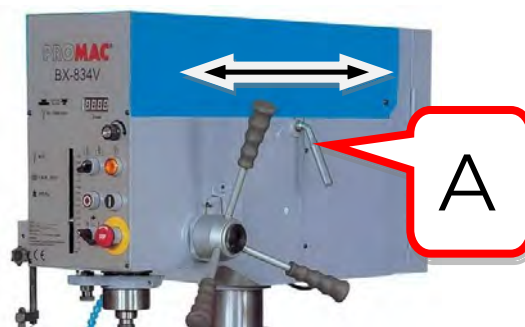
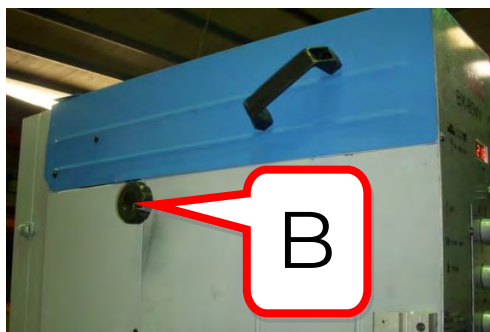
Öffnen Sie die Riemenabdeckung und überprüfen Sie, ob die Spindeldrehzahl anhand der min-1 oder /min (UpM)

Anzeige für die Bohr-(Gewinde) arbeit angemessen ist.

Empfohlen:

Bohren m/m	Material									
	Gusseisen		Stahl		Eisen		Aluminium		Kupfer	
										
Ø2	4780	2390	1275	635	3980	1190	7960	3980	4460	2230
Ø3	3185	1590	850	425	2650	1275	5310	2655	2970	1485
Ø4	2390	1195	640	320	1990	955	3980	1990	2230	1115
Ø5	1910	955	510	255	1590	765	3185	1590	1785	890
Ø6	1590	795	425	210	1330	640	2655	1330	1485	745
Ø7	1365	680	365	180	1140	545	2275	1140	1275	635
Ø8	1195	600	320	160	995	480	1990	995	1115	555
Ø9	1060	530	285	140	885	425	1770	885	990	495
Ø10	955	480	255	125	800	380	1590	800	890	445
Ø11	870	435	230	115	725	350	1450	725	910	405
Ø12	795	400	210	105	665	320	1330	665	745	370
Ø13	735	365	195	100	610	295	1225	610	685	340
Ø14	680	340	180	90	570	270	1135	570	635	320
Ø15	640	320	170	85	530	255	1060	530	600	300
Ø16	600	300	160	80	500	240	995	500	560	280
Ø17	560	280	150	75	470	225	935	470	525	260
Ø18	530	265	140	70	440	210	885	440	495	250
Ø19	500	250	135	67	420	200	835	420	470	235
Ø20	480	240	130	65	400	190	795	400	445	225
Ø25	380	190	100	50	320	155	640	320	355	180
Ø30	320	160	85	45	265	130	530	265	300	150
Ø40	240	120	65	30	200	95	400	200	225	110
Hinweis:	Für Bohren und Gewindebohren sollten bei verschiedenen Materialien verschiedene Geschwindigkeiten verwendet werden. Bitte nehmen Sie die entsprechenden Anpassungen vor.									

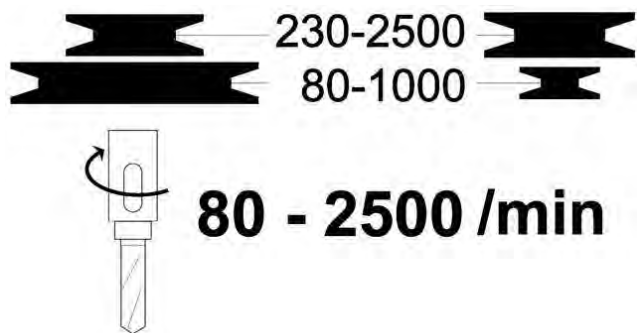
**BX-834 / BX-834V / BX-840VB**



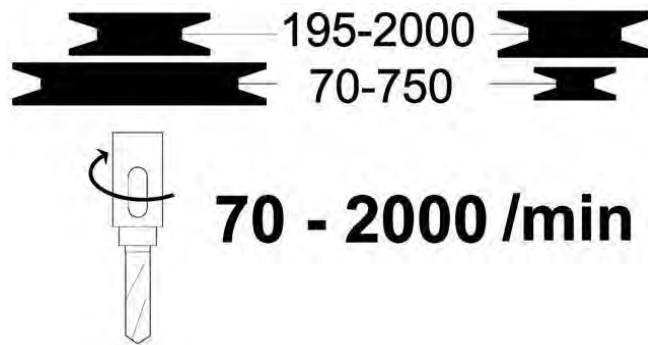
1. Lösen Sie Knauf B auf beiden Seiten des Spindelkastens
2. Drücken Sie Hebel A in Pfeilrichtung nach vorne, um Keilriemen zu spannen.
3. Verriegeln Sie Knauf B fest, um die Riemenspannung zu fixieren.

Wenn es erforderlich sein sollte, den Keilriemen umzulegen, lösen Sie den Knauf B und den Hebel A auf beiden Seiten des Spindelkopfes. Lösen Sie den Hebel A, den Keilriemen in die gewünschte Nut der Riemenscheiben legen, um die gewünschte Geschwindigkeit zu erreichen. Das folgende Geschwindigkeitsdiagramm dient als Referenz.

**BX-834V**



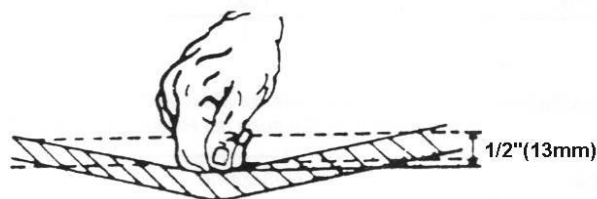
**Für BX-840VB**

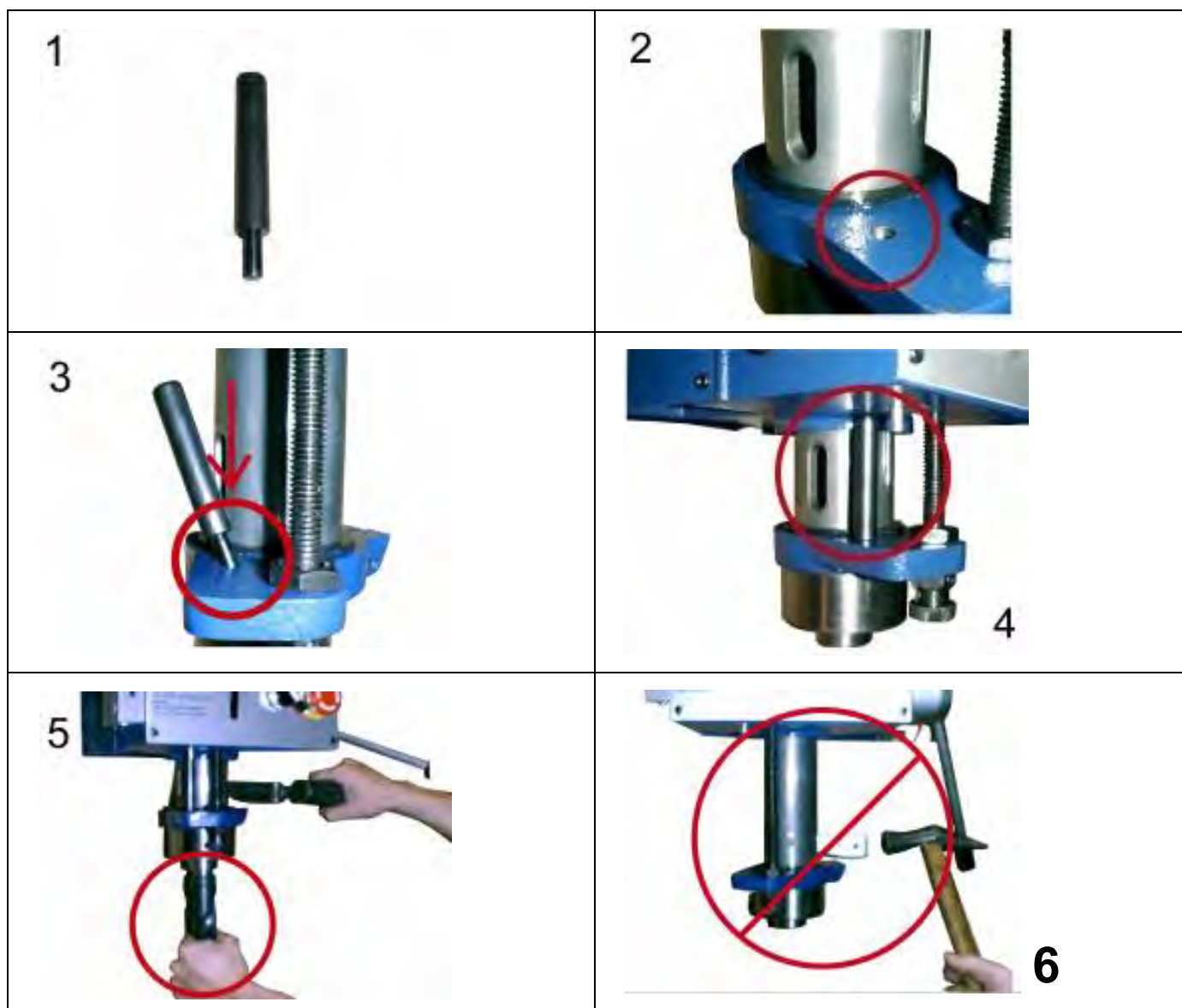


**BX-834**

DE	210	105
CE	290	145
DF	400	200
BE	480	240
CF	540	270
DG	750	375
AF	1400	700
BG	1760	880
AG	2650	1325

Nutzen Sie 4,5 kg oder die Hand, um wie unten dargestellt Druck auf den Riemen auszuüben und die richtige Riemenspannung zu erreichen.  
Der empfohlene Abstand beträgt etwa 13 mm.



**3-4. BOHRWERKZEUG ENTFERNEN:**

1. Bolzen
2. Loch für Bolzen.
3. Setzen Sie Bolzen in Loch ein.
4. Setzen Sie Bolzen wie in Abb. 4 dargestellt ein.
5. Es wird empfohlen, wie in Abb. 5 dargestellt, den PROMAC Austreibdorn Art. 2086 zu verwenden, um das Bohrwerkzeug zu entfernen.
6. Die Bohrspindel nicht zu weit ausfahren und keine Hammerschläge vornehmen!

## 4. BETRIEBSVERFAHREN

**Achtung** Lesen Sie das Anleitungshandbuch vor Inbetriebnahme der Maschine.

1. Überprüfen Sie die Stromquelle  
Drücken Sie den Startknopf, um zu beurteilen, ob sich der Motor und die Spindelwelle in normalem Zustand befinden.
2. Geschwindigkeitsanpassung  
Nach Einschalten der Stromversorgung drehen Sie den Drehzahlregler von der min. auf die max. Position.  
Durch Drehen des Schalters verändert sich die Geschwindigkeit und die derzeitige Geschwindigkeit wird an der digitalen Anzeige gezeigt. (nur bei elektronischen LCD-Typen)
3. Anpassen der Arbeitstischposition  
Lösen Sie zunächst den Klemmhebel in der linken Hand und bewegen Sie den Tisch zur richtigen Position.  
Ziehen Sie schließlich den Klemmhebel wieder fest.
4. Stellen Sie die Höhe des Arbeitstisches in die richtige Position ein und fixieren Sie die Schraube.  
Die Höhe des Arbeitstisches hängt vom Volumen und der Höhe des Werkstücks ab. Wenn ein Neigungswinkel notwendig sein sollte, lösen Sie zuerst die Stellschraube und ändern dann die Winkelausrichtung anhand der Gradeinteilung des Arbeitstisches. Ziehen Sie schließlich die Stellschraube fest. Wenn in einem Arbeitsvorgang wie oben beschrieben ein Schraubstock verwendet wird, lösen Sie die Stellschraube, drehen Sie um 180 Grad und lassen Sie den Schraubstock auf der Oberseite. Schließlich ziehen Sie die Stellschraube fest.
5. Es gibt zwei T-Nuten auf dem Arbeitstisch. Sie sind zur Fixierung des Werkstücks gedacht.
6. Es gibt ebenfalls zwei Nuten auf dem Maschinenfuss, die zur Fixierung längerer, schwererer und längerer Werkstücke da sind.
7. Befestigen Sie das Werkstück auf dem Arbeitstisch sicher und legen Sie das Werkstück möglichst in die Mitte des Arbeitstischs.
8. Stellen Sie sicher, dass die oben genannten Punkte erfüllt sind. Wählen Sie dann ein geeignetes Werkzeug für den Einsatz aus. Bitte beachten Sie dabei die Empfehlungen in diesem Handbuch.
9. Nutzen Sie den Keilriemen, um die Geschwindigkeit einzustellen, falls die Maschine mit einem 2-Gang-Motor ausgestattet ist.
10. Vor dem Betrieb muss die Schutzvorrichtung in die richtige Position geschoben werden.  
Es befindet sich ein Mikroschalter in der Vorrichtung. Das Gerät wird von der Stromversorgung getrennt, wenn sich die Schutzvorrichtung nicht richtig oder nicht in der angegebenen Position befindet.

## 5. FEHLERBEHEBUNG:

**Warnung:** Schalten Sie die Maschine aus und entfernen Sie den Netzstecker von der Stromquelle, bevor Sie mit der Fehlerbehebung beginnen.

NR.	PROBLEM	VERFAHREN
1	Das Bohrwerkzeug bleibt in dem Werkstück stecken.	<ol style="list-style-type: none"> <li>1. Drücken Sie die Not-Aus-Taste</li> <li>2. Schalten Sie die Maschine aus.</li> <li>3. Drehen Sie per Hand die Spindelwelle entgegen Uhrzeigersinn. Ziehen Sie das Werkzeug vom Werkstück zurück.</li> <li>4. Reinigen Sie die Späne am Werkstück mittels eines Staubsaugers.</li> <li>5. Schalten Sie die Maschine wieder ein.</li> <li>6. Führen Sie den Vorgang nochmals bei niedriger Geschwindigkeit durch. Stellen Sie sicher, dass sie normal läuft und kehren Sie dann zur normalen Geschwindigkeit zurück.</li> </ol>
2	Kühlschmiermittel ungenügend, zu geringer Flüssigkeitsaustritt.	<ol style="list-style-type: none"> <li>1. Prüfen Sie, ob die Pumpe läuft.</li> <li>2. Prüfen Sie, ob der Schlauch undicht ist.</li> </ol>
3	Spindelwelle dreht nicht mit voller Kraft	<ol style="list-style-type: none"> <li>1. Prüfen Sie die Riemenspannung.</li> <li>2. Falls die Riemenspannung nicht ausreicht, den Riemen wie oben beschrieben spannen, ansonsten tauschen Sie den alten Riemen aus.</li> </ol>
4	Motor läuft nicht	<ol style="list-style-type: none"> <li>1. Überprüfen Sie die Stromzufuhr und den Schalter.</li> <li>2. Prüfen Sie, ob das Stromkabel beschädigt ist. Wenn das Kabel beschädigt ist, durch eine Fachkraft ersetzen lassen.</li> </ol>
5	Spindelwelle verursacht Lärm	<ol style="list-style-type: none"> <li>1. Prüfen Sie die Kugellager innerhalb der Bohrspindel.</li> <li>2. Überprüfen Sie die Riemenspannung, ist diese zu stark, wird Lärm erzeugt.</li> </ol>
6	Bohrer dreht unrund	<ol style="list-style-type: none"> <li>1. Prüfen Sie den Zustand des Bohrfutters.</li> <li>2. Stellen Sie sicher, dass der Bohrer richtig im Bohrfutter fixiert ist.</li> </ol>

## 6. WARTUNG:

**Warnung:** Schalten Sie die Maschine aus und entfernen Sie den Netzstecker von der Stromquelle, bevor Sie mit der Wartung beginnen.

### ZUR NUTZUNG EMPFOHLEN: SCHMIERMITTEL ISO68.

NR.	Maschinenteil	Periode	Verfahren
1	Säule	alle 10 Tage	1. Schmiermittel auftragen
2	Arbeitstisch	täglich	1. Späne entfernen und reinigen 2. Rostschutzöl auftragen
3	Arbeitstisch	täglich	1. Vermeiden Sie Schäden auf der Oberfläche des Arbeitstisches.
4	Arbeitstisch / Maschinenfuss	täglich	1. Nach Betrieb muss der Tisch zurück in die ursprüngliche Position gebracht werden, um Deformationen zu vermeiden.
5	Säule	täglich	1. Säule von Flecken befreien 2. Schmiermittel zur Vermeidung von Rost hinzufügen 3. Wenn Sie Schäden auf der Oberfläche der Säule finden, reparieren Sie diese oder tauschen Sie die Säule aus.
6	Bedienfeld	täglich	1. Von Schnittflüssigkeit oder Ölflecken befreien
7	Stromkabel	jede Woche	1. Kabel auf Schäden überprüfen
8	Pumpe	1. Nutzung	1. Fließrichtung prüfen 2. Wenn sie in entgegengesetzte Richtung läuft, muss die Drehrichtung durch Tauschen der Stromphasen korrigiert werden (Fachkraft).
9	Kühlschmiermittel	alle 3 Monate	1. Auf Flüssigkeitsstand und chemische Reaktionen achten.
10	Motor	alle 3 Monate	1. Staub vom Motor entfernen, von Wasser fernhalten. Motor trocken halten.
11	Maschinenfuss	täglich	1. Säubern und Rostschutzöl auftragen
12	Keilriemen	jede Woche	1. Auf korrekte Riemenspannung und Alterungserscheinungen prüfen
13	Tischhebung	jede Woche	1. Staub und Späne entfernen und anschließend Schmiermittel auftragen
15	Riemenabdeckung	jede Woche	1. Stellen Sie sicher, dass sich die Riemenabdeckung ordnungsgemäß schließt.
16	Bohrspindel	täglich	1. Stellen Sie sicher, dass die Spindel einwandfrei zurückstellt. 2. Schmiermittel auftragen
17	Zahnstange	jede Woche	1. Staub und Späne entfernen 2. Schmiermittel auftragen
18	Mikroschalter Not-Aus-Schalter	täglich	1. Schalten Sie den Schalter ein und aus. 2. Durch einen neuen ersetzen, wenn der Schalter defekt ist oder reparieren Sie diesen umgehend.

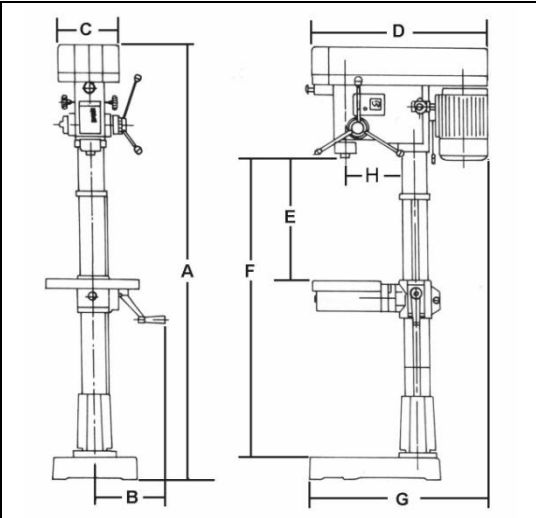


**ÜBERSICHT ÜBER MODELLE UND RIEMEN**

Maschinenmodell	Riemenspezifikationen	Anzahl
BX-834	5340	2
BX-834V	5PK 1335	1
BX-840VB	5PK 1495	1

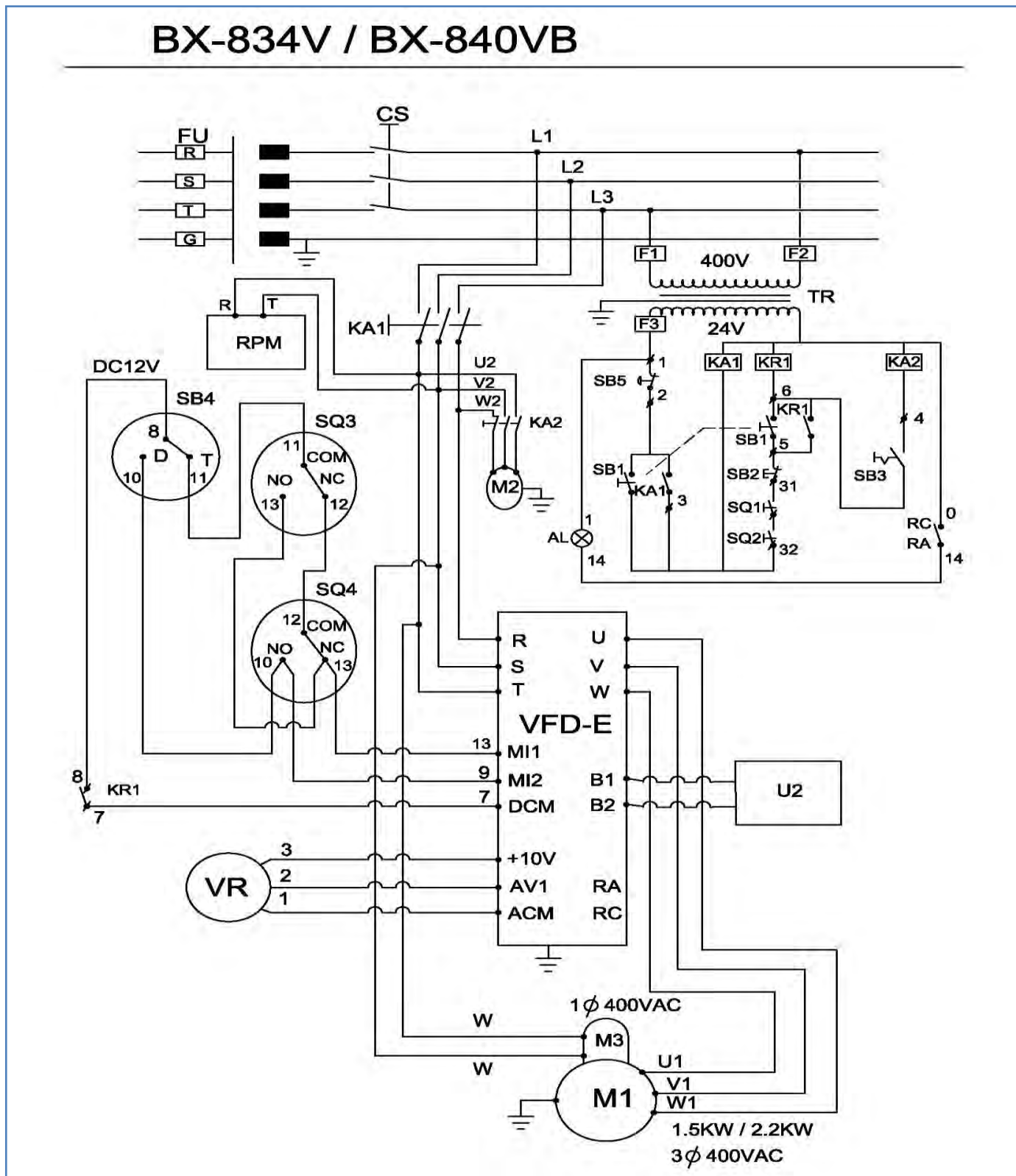
**7. SPEZIFIKATION UND SCHALLDRUCK:**

Posten		Model	<b>BX-834</b>	<b>BX-834V</b>	<b>BX-840VB</b>
Bohrleistung. (mm)			Ø32		Ø40
Gewindeschneidleistung (mm)			M4 ~ M20		M4 ~ M20
Ausladung (mm)			230 mm		300 mm
Spindelkonus			MK#3		MK#4
Spindelhub (mm)			140 mm		145 mm
Anzahl der Spindelgeschwindigkeiten			9 x 2 Schritte	Variable Geschwindigkeiten	Variable Speeds
Spindelgeschwindigkeit (UpM)	50 Hz		105-2650/min	80-2500/min	70-2000/min
Säulendurchmesser (mm)			Ø102 mm		Ø115 mm
Tischgröße (m/m)			T 320 x 480mm		T 400 x 470mm
Fussgröße (mm)			T 660 x 465 mm		T 660 x 465 mm
Motor			1.1kW 400V 3Ph	1.5kW 400V 3Ph	2.2kW 400V 3Ph
Nettogewicht (kg)			N.W-305Kg	N.W-295Kg	N.W-300Kg
Packmaß (mm)			1110 x 570 x 2030mm		1160 x 570 x 2060mm
Verpackungskartons pro Maschine			1		1

	BX-834	BX-834V	BX-840VB
	A	1810	
B	330		347.5
C	230		230
D	880		1100
E	720		715
F	1130		1145
G	1000		1050
H	230		300

A- Schalldruckpegel gemessen im Leerlauf      Lpa= 62 dB(A)  
 B- Schalldruckpegel gemessen unter Last      Lpa= 64 dB(A)

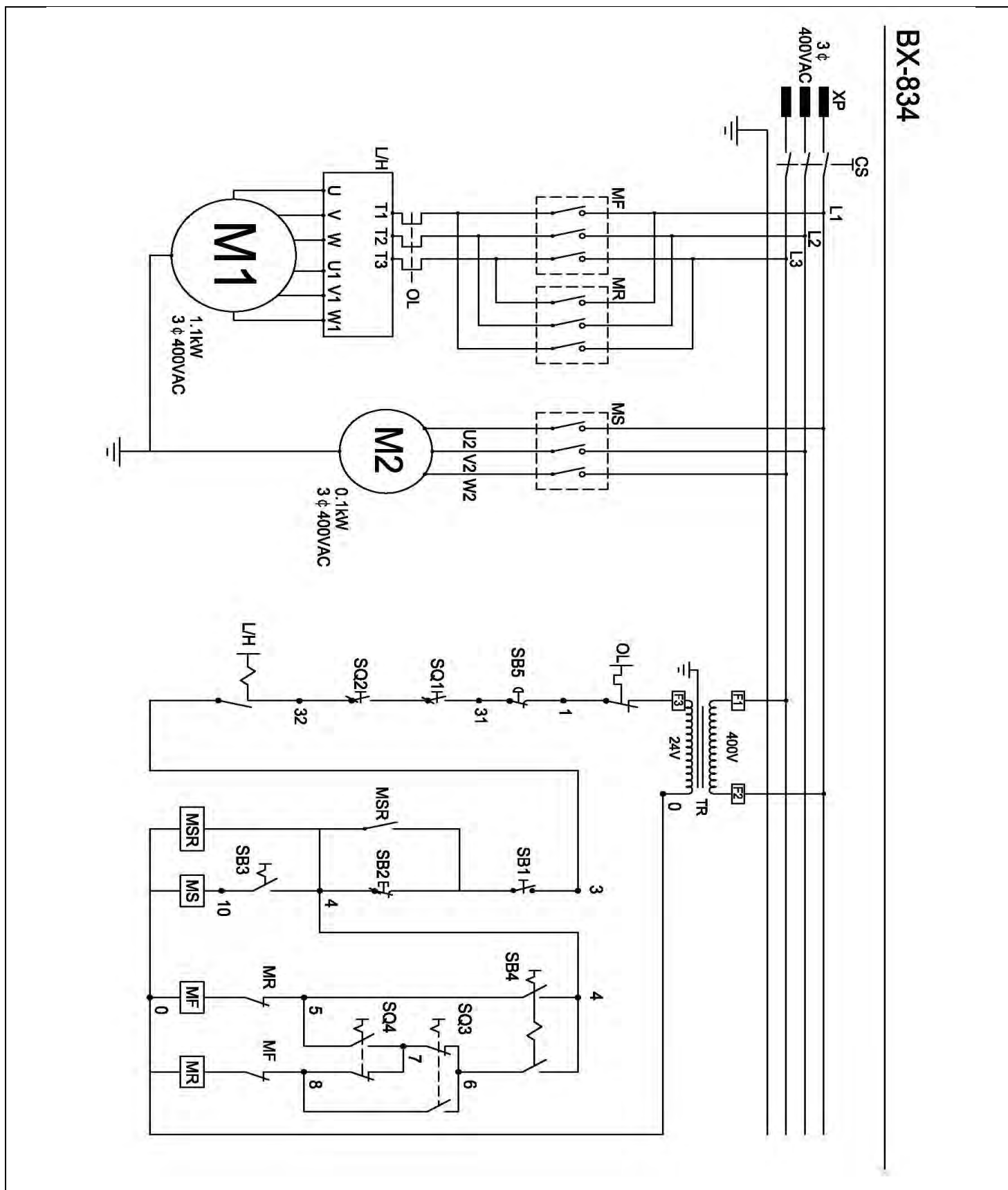
8. ELEKTRISCHER PLAN



## ELEKTRISCHE STÜCKLISTE

Part No.	Component / Object	Type / Model	Ratings / Technical Data	PCS	Complies with the following standard	Marks of conformity granted
CS	GENERAL ON/OFF SWITCH	ZH-C316	AC 440V 16A	1	EN60947	CE
KA1	CONTACTOR	C-12D	AC 440V/24V/12A	1	IEC 947-4-1	CE UL SA
KA2	CONTACTOR	C-12D	AC 440V/24V/12A	1	IEC 947-4-1	CE UL SA
TR	TRANSFORMER	SL-2930N	AC400V/24V7.2VA	1	IEC61558-1/-2-4	CE
SB1	PUSH BUTTON	GBF-22	INOAC 125V, 6A	1	IEC 144	CSA CE
SB2	PUSH BUTTON	GBF-22	INCAC 125V, 6A	1	IEC 144	CSA CE
SB3	SELECTION SWITCH PUMP	GLCS-22	INCAC 125V, 6A	1	IEC 144	CSA CE LR108205-2
SB4	SELECTION SWITCH (DRILL/TAP)	GCS-22	INAAC 125V, 6A	1	IEC 144	CSA CE LR108205-2
SB5	EMERGENCY STOP	GLEB-22	INCAC 125V, 6A	1	IEC 144	CSA CE LR108205-2
VFD-E	INVERTER	VFD-E	AC 400V / 1.5kW AC 400V / 2.2kW	1	EN 50178 EN 61800-3	CE EMC
U2	BRAKING RESISTOR	QSOJ013	200W250Ω	1		
VR	SPEED ADJUSTING KNOB	RV24YN	DC 10V	1		
M1	MOTOR MAIN SPINDLE	BX-834V BX-840VB	1.5kW / AC 400V/3Ph 2.2kW / AC 400V/3Ph	1		
M2	MOTOR PUMP	8150	0.1kW/AC 400V/3Ph	1		
M3	MOTOR COOLING FAN	UF-12A38	AC 400V/1PH	1		
SQ1	MICOR SWITCH CHUCK GUARD	VSI0N001C2	AC 250V / 10A	1		
SQ2	MICOR SWITCH CHUCK GUARD	QKS8	AC 250V / 12A	1	VDE0660 EN60947-5-1	
SQ3	LIMITSWITCH TAPPING	Z-15GW2-B	AC 250V / 15A	1	EN 61058-1 VDE	
SQ4	LIMITSWITCH REVERSE	VX-5-1A2	AC 250V / 5A	1	VDE	
XP	SOCKET	TBC-20	AC 600V / 10A	16		UL
F1.F2.F3	FUSE STE	MFB-103	FUSE-F1.F2-0.5A FUSE-F3-3A	3		
KR1	RELAY	BM5-2C5-S-CWL	24VAC / 28V 5A	1		
AL	Fault	PLN22Y24	AC 30V, 0.5A	1	IEC 144	CSA CE
RPM	RPM DISPLAY UNIT	RPM108	440V	1		

ELECTRICAL DIAGRAM / ELEKTRISCHE ANLAGE / SCHÉMA ÉLECTRIQUE



## ELEKTRISCHE STÜCKLISTE

Part No.	Component / Object	Type / Model	Ratings / Technical Data	PCS	Complies with the following standard	Marks of conformity granted
CS	GENERAL ON/OFF SWITCH	ZH-C316	AC 440V 16A	1	EN60947	CE
MR	CONTACTOR	KNL9-01	AC 440V/24V/12A	1	IEC 60947-4-1	CE UL SA
MF	CONTACTOR	KNL9-01	AC 440V/24V/12A	1	IEC 60947-4-1	CE UL SA
OL	OVERLOAD	NTH-6.5	AC 600V 6A (4.5-6.5A)	1	IEC 60947-4-1	CE UL SA
MSR	RELAY	JQX-13F	AC24V 5A	1		CE UL SA
MS	RELAY	BM5-2C5-S-CL	24VAC/28V 5A	1		CE UL SA
SB1	PUSH BUTTON	GBF-22	INOAC 125V, 6A	1	IEC 144	CSA CE
SB2	PUSH BUTTON	GBF-22	INCAC 125V, 6A	1	IEC 144	CSA CE
SB3	SELECTION SWITCH PUMP	GLCS-22	INCAC 125V, 6A	1	IEC 144	CSA CE LR108205-2
SB4	SELECTION SWITCH (DRILL/TAP)	GCS-22	INAAC 125V, 6A	1	IEC 144	CSA CE LR108205-2
SB5	EMERGENCY STOP	GLEB-22	INCAC 125V, 6A	1	IEC 144	CSA CE LR108205-2
L/H	CAM SWITCH	AC-22A	AC600V 20A	1	IEC 60947-3	CSA CE
M1	MOTOR MAIN SPINDLE	BX-834	1.1kW/AC 400V/3Ph	1		
M2	MOTOR PUMP	8150	0.1kW/AC 400V/3Ph	1		
SQ1	MICOR SWITCH CHUCK GUARD	VS10N001C2	AC 250V / 10A	1		
SQ2	MICOR SWITCH COVER GUARD	QKS8	AC 250V / 12A	1	VDE0660 EN60947-5-1	
SQ3	LIMIT SWITCH TAPPING	Z-15GW2-B	AC 250V / 15A	1	EN 61058-1 VDE	
SQ4	LIMIT SWITCH REVERSE	VX-5-1A2	AC 250V / 5A	1	VDE	
XP	SOCKET	TBC-20	AC 600V / 10A	16		UL
TR	TRANSFORMER	SL-2930N	AC400V/24V 7.2VA	1	IEC61558-1/-2-4	CE
F1.F2.F3	FUSE STE	MFB-103	FUSE-F1.F2-0.5A FUSE-F3-3A	3		

## FEHLERBEHEBUNG ELEKTRONISCHE REGELUNG (FREQUENZUMFORMER)

**HINWEIS: Eingriffe in die Elektronik dürfen nur von geschultem Personal vorgenommen werden!**

Bevor Manipulationen an der Elektronik vorgenommen werden, sind folgende Punkte zu beachten:

1. Die elektrische Stromzufuhr unterbrechen.
2. Die elektronischen Teile sind sehr empfindlich. Es ist darauf zu achten, dass die Montage oder Demontage der Teile nicht mit blosser Hand oder unter Benützung von metallenen Werkzeugen vorgenommen werden.
3. Der Kondensator des Frequenzumformers steht auch bei nicht eingeschalteter Maschine unter Spannung.  
Um Verletzungen zu vermeiden, vergewissern sie sich, dass die LED-Anzeige ganz erloschen ist.
4. Darauf achten, dass die Grundplatte der Elektronik einwandfrei rein ist.
5. Niemals die Stecker des Ausgangs (U/V/W) des Frequenzumformers (DC) direkt mit dem Wechsel-Stromkreis (AC) verbinden.

LED Fehleranzeige

Hinweis zur Fehlersuche:

Das PROMAC Modell BX-834V/BX-840VB ist mit einem elektronischen

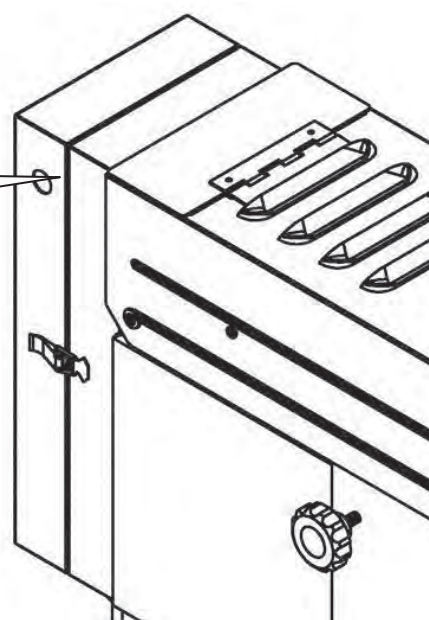
Diagnostikprogramm ausgerüstet, welches Hinweise auf Fehler wie:

Motorüberlastung, zu hohe oder zu niedrige Spannung etc. gibt.

Entdeckt die Maschine einen Fehler, wird sie automatisch gestoppt und der Fehler wird auf der LED-Fehleranzeige gezeigt.

Folgen Sie dem untenstehenden Beschrieb, um den Fehler zu beheben.

Den Startdrücker (Reset) drücken, um die Maschine wieder zu starten.



LED-Anzeige	Fehler	Korrektur
OC	Die Hochspannungs-Teile zeigen einen abnormalen Strom an.	<ol style="list-style-type: none"> <li>1. Kontrollieren, ob die Spannung des Motors mit dem elektronischen Motorregler übereinstimmt.</li> <li>2. Die Verkabelung zwischen dem elektronischen Motorregler und Motor überprüfen.</li> </ol>
Ou	Der elektronische Motorregler hat entdeckt, dass die Gleich-Spannung (DC) den erlaubten Wert überschritten hat.	Kontrollieren, ob die Eingangsspannung im Kreise mit dem elektronischen Motorregler übereinstimmt.
oK1 oK2	Der Sensor der elektronischen Motorregelung hat eine übermässige Erhitzung festgestellt.	<ol style="list-style-type: none"> <li>1. Sich vergewissern, dass die Ventilationsschlitze nicht verstopft sind.</li> <li>2. Kontrollieren, ob die Kühlkörper frei von Fremdkörpern und Schmutz sind.</li> </ol>

LED-Anzeige	Fehler	Korrektur	
LU	Der elektronische Motorregler hat entdeckt, dass die Gleich-Spannung (DC) den erlaubten Wert unterschritten hat.	Kontrollieren, ob die Eingangsspannung im Kreise mit dem elektronischen Motorregler übereinstimmt.	
OL	Der elektronische Motorregler hat übermässigen Strombedarf entdeckt. Hinweis: Der elektronische Motorregler kann während 60 Sekunden mit einer Überbelastung von 150% belastet werden.	Kontrollieren, ob der Motor überlastet wurde.	
OL 1	Interner elektronischer Überlastschutz des Motorreglers hat angesprochen.	Kontrollieren, ob der Motor überlastet wurde.	
OL 2	Motor wurde überlastet.	Die Motorbelastung reduzieren.	
OC A	Zu hoher Strom während der Beschleunigung.	Die Verdrahtung am Ausgang des Motorreglers auf fehlerhafte Isolation prüfen.	
OC B	Zu hoher Strom während der Reduktion der Geschwindigkeit.	Die Verdrahtung am Ausgang des Motorreglers auf fehlerhafte Isolation prüfen.	
OC n	Zu hoher Strom bei gleichmässiger Belastung.	Die Verdrahtung am Ausgang des Motorreglers auf fehlerhafte Isolation prüfen. Motor kontrollieren.	
CF 1.0 CF 1.1	Die elektronische Motorregelung hat einen internen Fehler entdeckt	<ol style="list-style-type: none"> <li>1. Die Maschine ausschalten.</li> <li>2. Die Maschine nochmals starten.</li> <li>3. Leuchtet die LED-Anzeige mit denselben Fehlerziffern, müssen Sie Ihre Servicestation benachrichtigen</li> </ol>	
CF 2.0 CF 2.1	Die elektronische Motorregelung hat falsche Daten gefunden oder kann nicht programmiert werden.		
CF 3.0 CF 3.1 CF 3.2 CF 3.3 CF 3.4 CF 3.5	Der elektronische Motorregler funktioniert nicht richtig.		
OFF	Erdung- oder Sicherheitsfehler.		<ol style="list-style-type: none"> <li>1. Kontrollieren, dass die Erdung korrekt montiert ist.</li> <li>2. Die Maschine nochmals starten.</li> <li>3. Leuchtet die LED-Anzeige mit denselben Fehlerziffern, müssen Sie Ihre Servicestation benachrichtigen</li> </ol>

**MATIÈRES DU MANUEL:**

1-1. Déballage.....	1
1-2. Instruction de transport.....	1
1-3. Instructions pour installer la machine.....	2
1-4. Les parties principales.....	3
2. Instructions de sécurité.....	4
3-1. Panneau de contrôle.....	7
3-2. Illustration et procédure de fonctionnement.....	8
3-3. Conseils d'utilisation: Sélection de vitesse.....	9
3-4. Retirer le foret.....	11
4. Procédure de fonctionnement de la machine.....	12
5. Dépannage.....	13
6. Maintenance.....	14
7. Spécification et pression sonore.....	15
8. Circuit diagram de controle et component list.....	16
9. Pièces de rechanges.....	20



## 1-1.DÉBALLAGE:

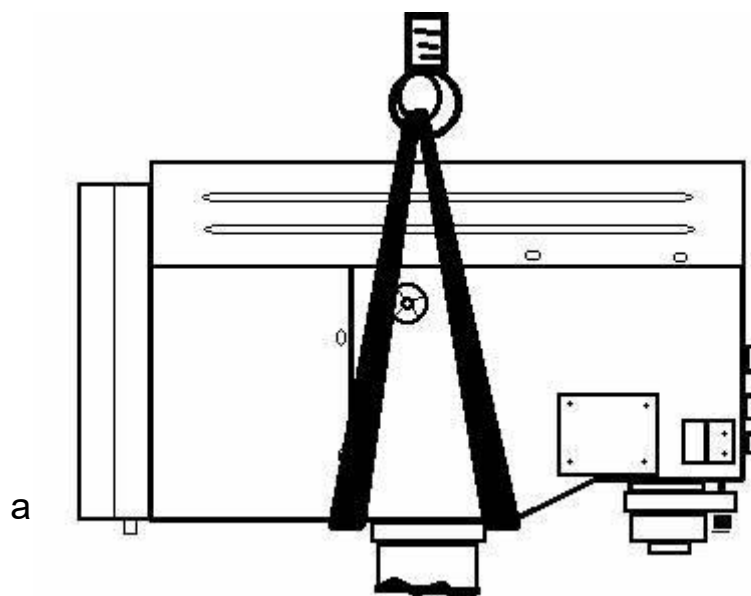
Avant de déballer, assurez-vous que le carton n'est pas endommagé, cassé et que les pièces ne sont pas déformées. En cas de présence des défauts mentionnés ci-dessus, contactez, dès que possible, votre détaillant pour effectuer un échange.

Procédure de déballage:

1. Ouvrez soigneusement le carton. (retirez du bas vers le haut.)
2. Sortez le manuel. Lisez-le et vérifiez la liste des pièces et accessoires correspondants.
3. Examinez le contour de la machine et assurez-vous qu'elle est en bon état. Il ne faut pas avoir des fissures et de la rouille.  
Éviter la chute.
4. Nettoyez la surface de la machine.
5. Assemblez la perceuse en suivant les instructions du manuel.

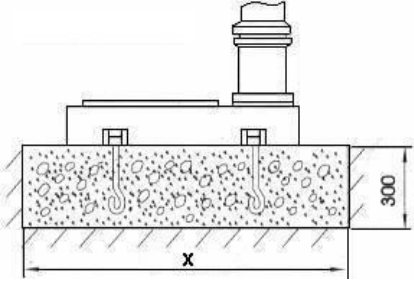
## 1-2. INSTRUCTION DE TRANSPORT:

1. Veuillez vous reporter au manuel d'instructions pour organiser la manutention en fonction de la spécification et du poids de la machine. Assurez-vous que votre transpalette - chariot élévateur ou appareil de levage - est prévu pour soulever la machine.
2. La manutention et le transport doivent être effectués par des personnes qualifiées.
3. Un transpalette - chariot élévateur ou appareil de levage - peut être utilisé dans la manutention et doit être conduit par une personne qualifiée.
4. Veillez bien à l'équilibre de la machine pendant le transport.
5. Pendant la manutention, la machine ne doit être levée que dans le sens vertical.
6. Avant toute manutention, assurez-vous que toutes les pièces mobiles sont bien fixées et que tous les accessoires amovibles sont retirés de la machine.
7. Lors de déplacer ou soulever l'appareil, attachez la tête de la machine fermement et solidement à l'aide d'un câble d'acier. Assurez-vous que la table et la colonne sont correctement et fermement fixées.
8. Effectuez tout le processus de manière soignée.

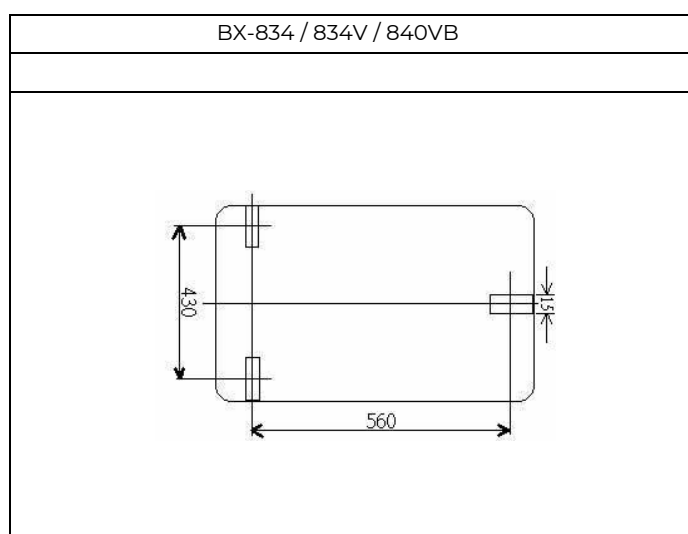


### 1-3. INSTRUCTIONS POUR INSTALLER LA MACHINE

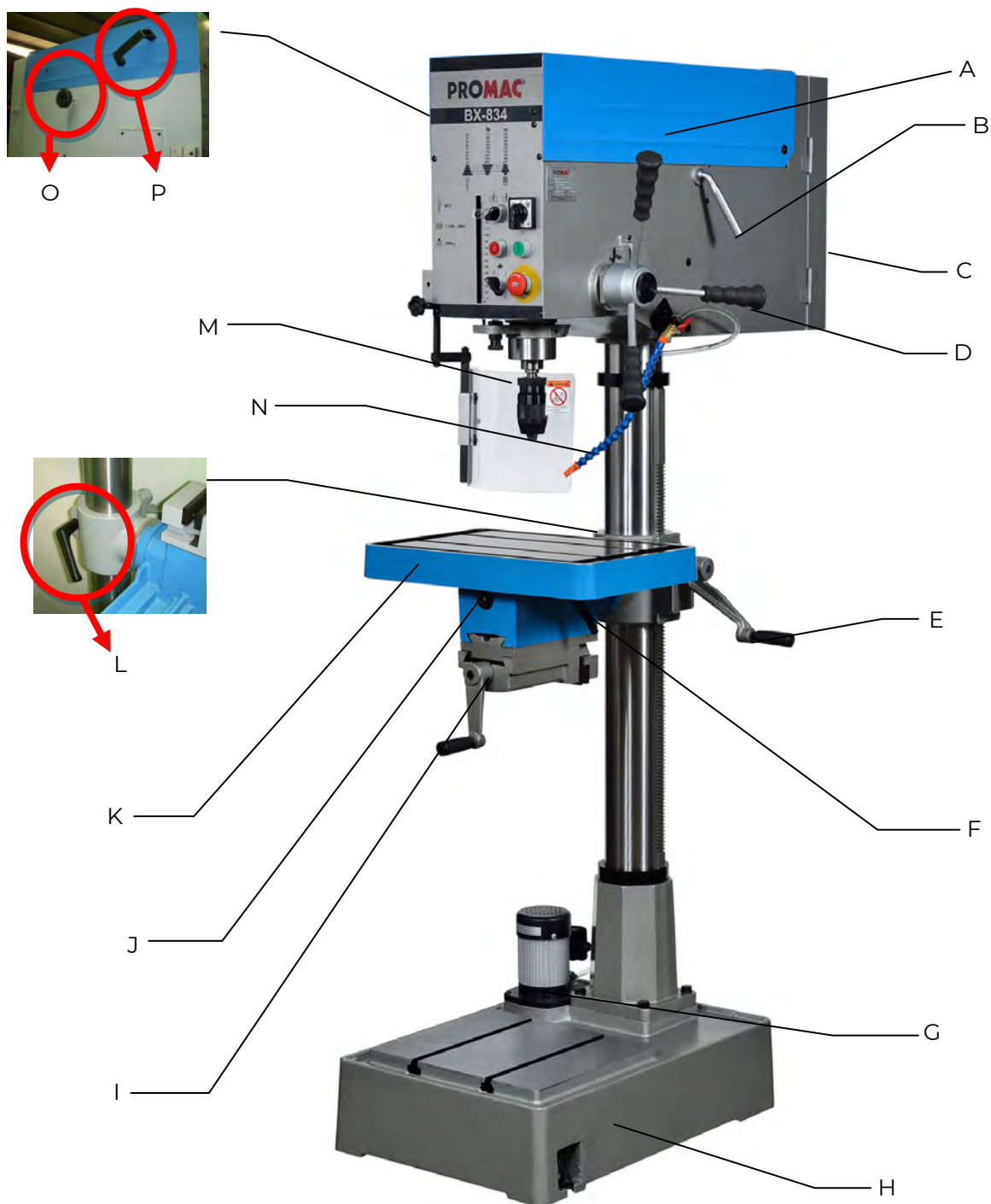
1. Trois trous se trouve sur la base de la machine. Ceux-ci ont pour fonction d'ancrer la machine sur le sol en béton.

Les procédures décrites pour installer la machine.	MODÈLE	ZONE	Vis de réglage
	BX-834	X=900×700	M12
	BX-834V	X=900×700	M12
	BX-840VB	X=900×700	M12

La dimension des trous d'ancrage:



1-4. LES PARTIES PRINCIPALES:



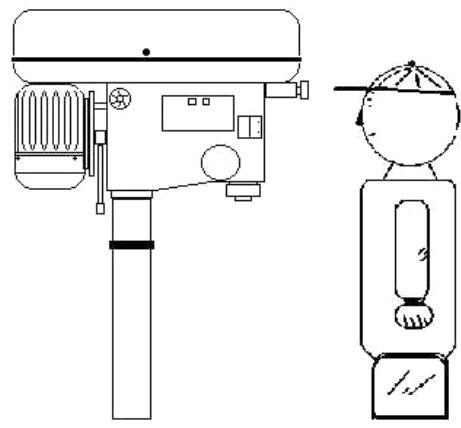
A=Couvercle Poulie	I=Étau 3" (pour BX-834V ou BX-834)
B=Poignée de tension moteur	J=Manivelle pour l'étau (pour BX-834V ou BX-834)
C=Boîte électrique	K=Table de travail
D=Levier de descente	L=Poignée de serrage
E=Manivelle de réglage de la table	M=Protecteur mandrin
F=Molette de verrouillage pour la table (pour BX-834V ou BX-834)	N=Robinet et buse d'arrosage
G=Moteur de la pompe	O=Molette de blocage pour la tension de courroie
H=Base	P=Poignée du carter de courroie

## 2. INSTRUCTIONS DE SÉCURITÉ:

**Pour votre propre sécurité, lisez le manuel d'instructions avant d'utiliser la machine.**

1. Assurez-vous que la tension de l'alimentation électrique est adaptée à votre machine. Avant de brancher la fiche sur une prise, il est nécessaire de vérifier les spécifications de puissance pour éviter tout dommage.
2. La prise doit être débranchée si la machine n'est pas utilisée pendant une longue période.
3. Ne placez jamais le câble d'alimentation à proximité du feu ou de l'eau. N'utilisez jamais un câble d'alimentation cassé ou déformé.
4. Pour raison de sécurité, la machine doit être correctement fixée au sol.
5. Bien serrez la pièce à usiner sur la table à l'aide d'un étau ou d'un dispositif de serrage.
6. Utilisez une huile de coupe recommandée. Consultez le manuel d'utilisation pour plus d'information.
7. Adoptez une vitesse de travail dans le respect des normes de la sécurité. Veuillez vous reporter au paragraphe 3-3.
8. Portez des vêtements appropriés. Ne portez pas de vêtements amples, de gants, de cravate, ni de bague et de bracelet. Autrement, vous risqueriez d'être coincé dans la machine pendant son fonctionnement. Portez toujours des lunettes et un casque de protection, ainsi que des vêtements spécifiques.
9. Avant de déplacer la machine, vérifiez que toutes les pièces sont en place et bien serrées. Les chocs et l'écrasement sont déconseillés.
10. Effectuez l'entretien de routine et la réparation en suivant les règles spécifiées dans le manuel.
11. Il est recommandé de nettoyer les copeaux à l'aide d'un aspirateur industriel.
12. Il est recommandé de déplacer des pièces à travailler qui pèsent plus de 10 kg à l'aide d'un chariot élévateur.
13. Il est recommandé de porter des gants de sécurité lors de l'installation du foret ou de l'outil pour ne pas vous blesser à la main.
14. N'utilisez pas cette machine pour percer les matériaux autres que le laiton, la fonte, l'acier, le fer, ou l'aluminium.

15. Il est interdit d'ouvrir le couvercle de poulie pendant le fonctionnement de la machine.
16. Il est interdit d'utiliser des pièces endommagées ou cassées.
17. Il est interdit de retirer le couvercle de protection pendant le fonctionnement de la machine.
18. Il est interdit de déplacer la table de travail pendant le fonctionnement de la machine.
19. Il est interdit de forcer au-delà de ces capacités cette machine.
20. Reportez-vous à cette instruction pour plus d'informations détaillées.
21. Il est interdit de mettre votre main ou votre doigt dans le trou de la pièce à usiner pendant le fonctionnement de la machine.
22. Il est interdit à tous les visiteurs et à des enfants de s'approcher de la zone de travail pendant le fonctionnement de la machine.
23. Il est interdit de porter des gants, des cravates, des bagues, des bracelets et des vêtements amples pendant le fonctionnement de la machine.
24. Il est interdit d'utiliser des pièces en plastique ou en bois.
25. Vérifiez de nouveau les éléments suivants avant de mettre la machine sous tension:
  - A - Assurez-vous que la tension de l'alimentation électrique est adaptée à votre machine.
  - B - Assurez-vous que la machine est bien montée et installée.
  - C - Assurez-vous que le mandrin, la table de travail et la pièce à usiner sont bien serrés et fixés.
  - D - Vérifiez que la clé à mandrin est retirée du mandrin.
  - E - Assurez-vous que le foret ou l'outil est bien fixé sur le mandrin.
26. Mettez immédiatement la machine hors tension:
  - A - Lors du blocage ou de l'enlèvement de la pièce à usiner.
  - B - Lors de l'entretien courant, de la révision, du réglage ou de la réparation.
  - C - Lorsque l'opérateur quitte la machine.
  - D - Lors du réglage de la position de la table de travail et sa profondeur.
  - E - Lors du changement ou de l'enlèvement du foret ou de l'outil.
27. Température de travail 5 --- 40 ° C, Humidité 40 --- 50, Hauteur 0 --- 1000 M  
Température de stockage -25 --- 55 ° C
28. Reportez-vous au diagramme de l'emplacement.

Diagramme 1		Diagramme 2
MODÈLE	Capacité de charge	
BX-834	70 kg	
BX-834V	70 kg	
BX-840VB	50 kg	

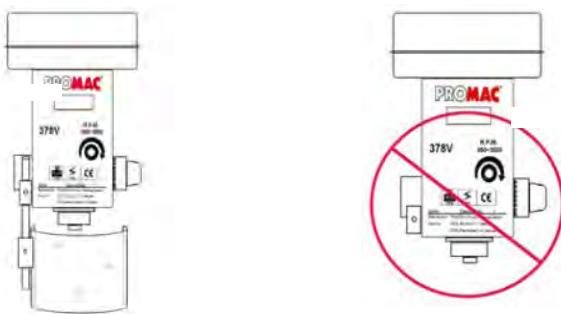
3-1. PANNEAU DE CONTRÔLE:

<p style="text-align: center;">BX-834 uniquement</p> <p style="text-align: center;">BX-834</p> <p>DE 210 165 CE 250 200 BF 400 350 CF 450 240 DF 540 210 CG 750 375 AF 1400 300 BG 1760 680 AG 2860 1335</p> <p>MT3</p> <p>1.1kW , 400V</p> <p>305 Kg</p> <p>Serie: / Datum/Date: / / Hersteller: TOOLTEK CO., 488 Yachung - Taiwan Importeur: Walter Meier (Tool) AG, CH-8117 Fällanden TOOL(France)Sarl.F-91029 Evry</p> <p>CE</p> <p style="text-align: right;">A B C D E F G</p>	<ul style="list-style-type: none"> <li>A. JKM Commutateur à cames (rapide / lent)</li> <li>B. Bouton de mise en marche</li> <li>C. Bouton d'arrêt d'urgence</li> <li>D. Réglage de la profondeur de descente</li> <li>E. Sélecteur perçage/taraudage</li> <li>F. Bouton d'arrêt</li> <li>G. Interrupteur de lubrification</li> </ul>
<p style="text-align: center;">BX-834V/BX-834VB</p> <p style="text-align: center;">BX-834V</p> <p>230-2500 80-1000 80 - 2500 /min</p> <p>8888</p> <p>/min</p> <p>MT3</p> <p>1.5kW , 400V</p> <p>295 Kg</p> <p>Serie: / Datum/Date: / / Hersteller: TOOLTEK CO., 488 Yachung - Taiwan Importeur: Walter Meier (Tool) AG, CH-8117 Fällanden TOOL(France)Sarl.F-91029 Evry</p> <p>CE</p> <p style="text-align: right;">A B C D E F G H I</p>	<ul style="list-style-type: none"> <li>A. Afficheur: vitesse (T.P.M.)</li> <li>B. Variateur de vitesse</li> <li>C. Voyant de mise sous tension</li> <li>D. Bouton de mise en marche</li> <li>E. Bouton d'arrêt d'urgence</li> <li>F. Réglage de la profondeur de descente</li> <li>G. Sélecteur perçage/taraudage</li> <li>H. Bouton d'arrêt</li> <li>I. Interrupteur de lubrification</li> </ul>

### 3-2. ILLUSTRATION ET PROCÉDURE DE FONCTIONNEMENT:

1. Sélecteur perçage/taraudage: Pour sélectionner le mode de perçage ou de taraudage.
2. Table de travail et étau (pour BX-834V / BX-834 uniquement) Desserrez la table de travail et les vis de fixation de l'étau puis tournez la table de travail à 180 degrés et laissez l'étau à l'envers. Puis serrez complètement la vis de blocage.
3. Deux rainures en T se trouvent sur la table de travail. Ils ont pour fonction de bloquer la pièce à usiner.
4. Deux rainures en T se trouvent également sur la base. Ils ont pour fonction de bloquer les pièces longues, grandes et lourdes.
5. Le réglage de la vitesse de broche s'effectue à l'aide du variateur de vitesse. La vitesse sera affichée sur l'afficheur électronique numérique. (Pour BX-834V/BX-840VB seulement)
6. La tension de la courroie peut être réglée au moyen d'un usinoté sur le côté droit de la tête de la machine.
7. Il est strictement interdit d'ouvrir le couvercle de poulie pendant le fonctionnement de la machine.
8. Ne réglez pas la table de travail pendant le fonctionnement de la machine.
9. La protection doit être bien positionnée pendant le fonctionnement de la machine. Contrôlez sa position à l'aide d'un micro-interrupteur.
10. Pour arrêter la machine en cas d'urgence, il suffit d'appuyer sur le bouton d'arrêt d'urgence.
11. Un dispositif de changement rapide est conçu pour passer au mode de taraudage. Si vous voulez changer le sens de rotation et sortir le taraud pendant le taraudage, il suffit de repousser le levier de descente. Si vous voulez continuer à travailler, appuyez simplement sur la levier.











#### Protection de mandrin



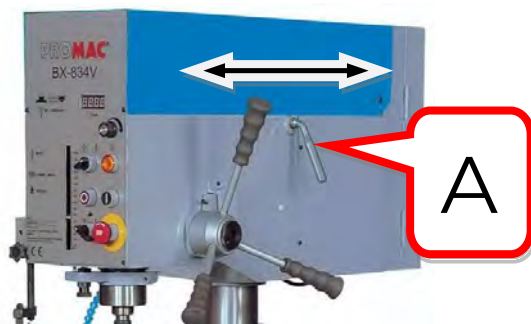
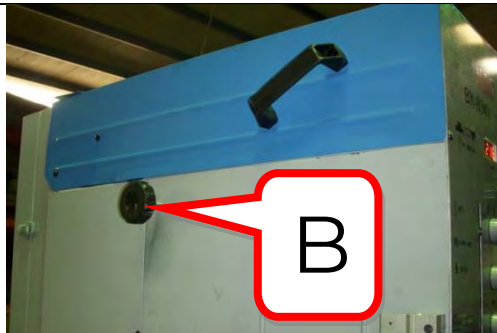


### 3-3. CONSEILS D'UTILISATION: SÉLECTION DE VITESSE

Ouvrez le capot de poulie et vérifiez si la vitesse de broche (tPM) est adaptée à votre travail. Recommandés

Perçage mm	Matériau									
	Fonte		Acier		Fer		Aluminium		Alliage de cuivre	
										
Ø2	4780	2390	1275	635	3980	1910	7960	3980	4460	2230
Ø3	3185	1590	850	425	2650	1275	5310	2655	2970	1485
Ø4	2390	1195	640	320	1990	955	3980	1990	2230	1115
Ø5	1910	955	510	255	1590	765	3185	1590	1785	890
Ø6	1590	795	425	210	1330	640	2655	1330	1485	745
Ø7	1365	680	365	180	1140	545	2275	1140	1275	635
Ø8	1195	600	320	160	995	480	1190	995	1115	555
Ø9	1060	530	285	140	885	425	1770	885	990	495
Ø10	955	480	255	125	800	380	1590	800	890	445
Ø11	870	435	230	115	725	350	1450	725	910	405
Ø12	795	400	210	105	665	320	1330	665	745	370
Ø13	735	365	195	100	610	295	1225	610	685	340
Ø14	680	340	180	90	570	270	1135	570	635	320
Ø15	640	320	170	85	530	255	1060	530	600	300
Ø16	600	300	160	80	500	240	995	500	560	280
Ø17	560	280	150	75	470	225	935	470	525	260
Ø18	530	265	140	70	440	210	885	440	495	250
Ø19	500	250	135	67	420	200	835	420	470	235
Ø20	480	240	130	65	400	190	795	400	445	225
Ø25	380	190	100	50	320	155	640	320	355	180
Ø30	320	160	85	45	265	130	530	265	300	150
Ø40	240	120	65	30	200	95	400	200	225	110
Remarque	Le traitement peut varier en fonction des matériaux de coupe et des conditions réelles du travail.									

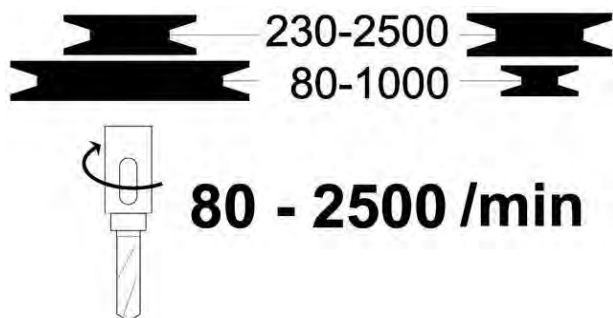
BX-834/BX-834V/BX-840VB



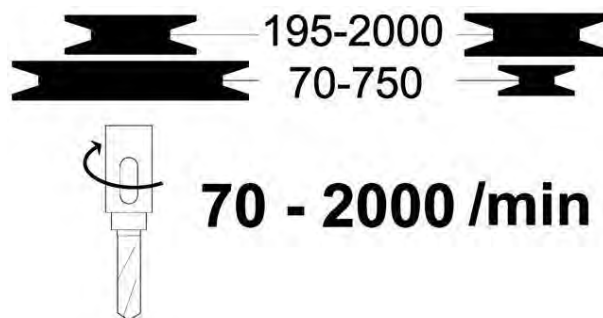
1. Desserrez la poignée B située de chaque côté de la tête de la machine.
2. Tirez la poignée A vers l'avant, comme l'indique le sens de la flèche, pour tendre les courroies.
3. Serrez les poignées B afin de verrouiller la tension de courroie.

Quand le changement de vitesse, desserrez les poignées de blocage (parties n° 22-S2) situé sur les deux côtés de la tête de la machine. Tirez la poignée (parties n° 26) pour détendre les courroies et puis déplacez les dans les rainures appropriées afin d'obtenir la vitesse désirée. Reportez-vous au tableau de vitesses ci-dessous.

Pour BX-834V



Pour BX-840VB

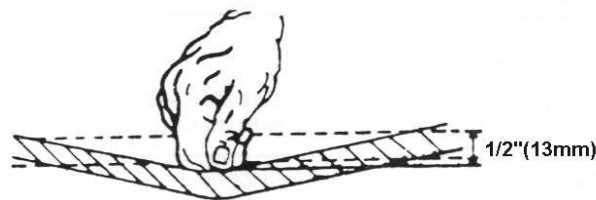


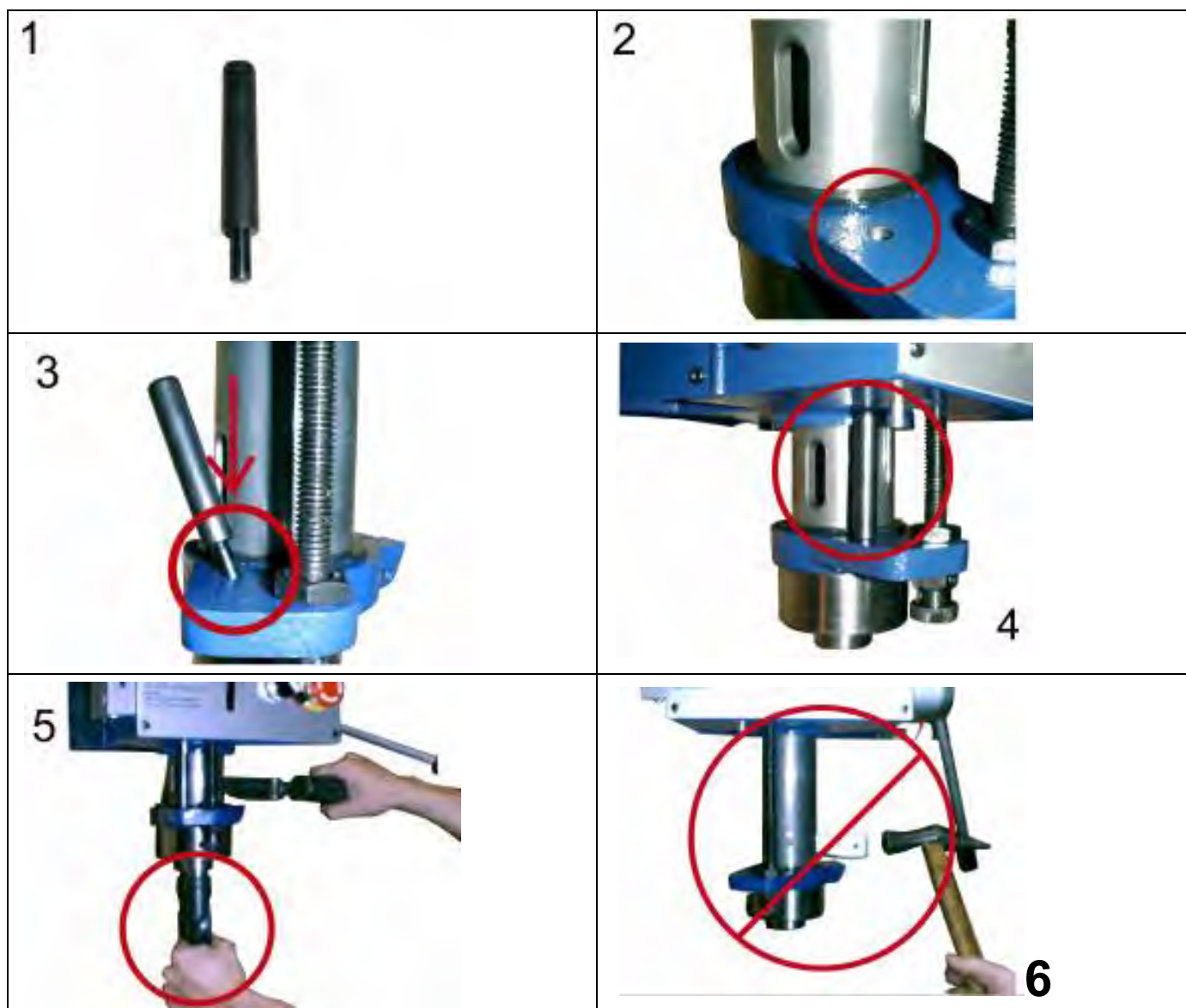
Pour BX-834

DE	210	105
CE	290	145
DF	400	200
BE	480	240
CF	540	270
DG	750	375
AF	1400	700
BG	1760	880
AG	2650	1325

Pour BX-834 uniquement

Pour savoir si la tension de la courroie est bonne, mettez une pression de 10 lbs ou appuyez avec la main sur la courroie comme indiqué ci-dessous. La distance de déplacement doit être d'environ 13mm.



**3-4. RETIRER LE FORET:**

1. Barre de blocage.
2. Trou pour recevoir la barre de blocage.
3. Insérez la barre de blocage dans le trou
4. Insérez complètement la barre de blocage machine est maintenant prête.
5. Il est recommandé d'utiliser une clavette spécialement conçue pour retirer l'outil.
6. Ne descendez pas de trop la broche pour opération

## 4. PROCÉDURE DE FONCTIONNEMENT DE LA MACHINE:

**Attention** Lisez le manuel d'instructions avant de faire fonctionner la machine.

(1) Vérifier la source d'alimentation.

Appuyez sur le bouton de démarrage pour vérifier si le moteur et la broche tourne dans le bon sens

(2) Régler la vitesse

Après avoir mis la machine sous tension, tournez le variateur de vitesse de la position « min. » à la position « max. ».

La vitesse change au fur et à mesure que vous tournez le variateur de vitesse. La vitesse sera affichée sur l'afficheur numérique.

(Uniquement pour les modèles munis d'un écran LCD)

(3) Régler la position de la table de travail

Tout d'abord, desserrez la poignée de blocage gauche, puis faites tourner la manivelle de la table à la position désirée. Enfin, serrez la poignée de blocage.

(4) Régler la hauteur de la table de travail à la position désirée puis fixer la.

La hauteur de la table de travail dépend du volume et de la hauteur de la pièce à usiner. S'il faut incliner la table de travail, desserrez d'abord la vis de blocage, puis tournez la table pour régler l'angle de la table. Enfin, serrez la vis de blocage.

Si un étau est utilisé pendant le travail comme les étapes précédentes, desserrez la vis de réglage, tournez à 180 degrés et placez l'étau en haut. Enfin, serrez la vis de réglage.

(5) Deux rainures en T se trouvent sur la table de travail. Ils ont pour fonction de bloquer la pièce à usiner.

(6) Deux rainures en T se trouvent également sur la base. Ils ont pour fonction de bloquer les pièces longues, grandes et lourdes.

(7) Fixez la pièce à usiner sur la table de travail, posez-la au centre si possible.

(8) Effectuer les démarches ci-dessus avec prudence et assurez-vous qu'aucun problème n'est survenu, puis sélectionnez l'outil adéquat pour effectuer le travail. Reportez-vous au manuel d'instructions pour charger les outils.

(9) Si la machine est munie d'un moteur à deux vitesses, choisissez la vitesse (rapide ou lente).

(10) Avant de faire fonctionner la machine, assurez-vous que la protection est bien positionnée. Un micro interrupteur se trouve à l'intérieur de la protection. Si la protection n'est pas fermée comme il faut, ou si elle n'est pas à la position appropriée, la machine s'arrêtera immédiatement.

## 5. DÉPANNAGE

**Attention** Coupez le courant électrique et retirez la fiche de la prise avant tout dépannage.

Numéro	Symptôme	Solution
1	La perceuse est coincée dans la pièce à usiner et la broche s'arrête.	<ol style="list-style-type: none"> <li>1. Appuyez sur le bouton d'arrêt d'urgence.</li> <li>2. Coupez l'alimentation.</li> <li>3. Tournez la broche avec la main dans le sens inverse. Laissez l'outil se retirer de la pièce à usiner.</li> <li>4. Aspirez les copeaux dans le trou.</li> <li>5. Mettez de nouveau la machine sous tension.</li> <li>6. Percez doucement la pièce. Assurez-vous que la pièce se perce sans problème.</li> </ol>
2	L'huile de coupe n'est pas en bon état de fonctionnement et la quantité fournie n'est pas adéquate.	<ol style="list-style-type: none"> <li>1. Vérifiez que la pompe est en bon état de fonctionnement.</li> <li>2. Vérifiez qu'il n'y a pas de fuite dans le tuyau, que celui-ci n'est pas bouché, et que l'huile de coupe est suffisante.</li> </ol>
3	La broche ne tourne pas comme il faut.	<ol style="list-style-type: none"> <li>1. Vérifiez la tension de la courroie.</li> <li>2. Si la tension de courroie est trop lâche, réglez celle-ci à l'aide de la poignée de réglage, sinon changez la courroie vieillissant.</li> </ol>
4	Le moteur ne marche pas.	<ol style="list-style-type: none"> <li>1. Vérifiez la source d'alimentation et l'interrupteur.</li> <li>2. Vérifiez que le câble d'alimentation n'est pas endommagé. Changez celui-ci s'il est cassé.</li> </ol>
5	La broche fait du bruit.	<ol style="list-style-type: none"> <li>1. Vérifiez les roulements.</li> <li>2. Vérifiez la courroie. Une tension trop élevée de la courroie peut engendrer des bruits.</li> </ol>
6	Oscillation de la perceuse	<ol style="list-style-type: none"> <li>1. Vérifiez le mandrin.</li> <li>2. Assurez-vous que le foret est bien fixé dans le mandrin.</li> </ol>

## 6. MAINTENANCE:

**Attention** Coupez le courant électrique et retirez la fiche de la prise avant d'effectuer toute maintenance.

### Lubrifiant recommandé: ISO68.

Numéro	Maintenance des pièces	Période	Procédure
1	La colonne de la broche	Tous les 10 jours	1. Appliquez du lubrifiant
2	La table de travail	Tous les jours	1. Enlevez les copeaux et nettoyez. 2. Appliquez de l'huile anti-rouille.
3	La table de travail	Tous les jours	1. Évitez de f rapper ou d'enfoncer la surface de la table de travail.
4	La table de travail/la colonne de la base	Tous les jours	1. Ajustez la table à sa position d'origine après tout travail, afin de la protéger contre la déformation.
5	La colonne	Tous les jours	1. Nettoyez des taches sur la colonne. 2. Appliquez du lubrifiant pour la protéger contre la rouille. 3. En cas de présence de trou ou de signe d'endommagement sur la surface de la colonne, réparez-le ou changez la colonne.
6	Panneau de contrôle	Tous les jours	1. Nettoyez l'huile de coupe ou les taches d'huile.
7	Câble d'alimentation	Une fois par semaine.	1. Vérifiez le câble. En cas d'endommagement ou de cassure, changez-le.
8	La pompe	Première mise en service	1. Vérifiez le sens de marche 2. Si la pompe marche en sens inverse, changez les deux fils de phase.
9	L'huile de coupe	Une fois tous les trois mois	1. Faites attention au niveau d'huile et à la réaction chimique.
10	Moteur	Une fois tous les trois mois	1. Nettoyez les poussières sur le moteur et mettez celui-ci à l'abri de l'humidité. Gardez toujours le moteur sec.
11	Base	Tous les jours	1. Nettoyez et appliquez de l'huile anti-rouille.
12	La courroie.	Une fois par semaine.	1. Vérifiez la tension de courroie et son état de vieillissement.
13	Pignon	Une fois par semaine.	1. Nettoyez la poussière et les copeaux, puis appliquez du lubrifiant.
14	Les accessoires et les pièces	Une fois par mois	1. Ils doivent toujours rester propres. 2. Appliquez de l'huile anti-rouille.
15	Le couvercle Poulie	Une fois par semaine.	1. Vérifiez qu'il n'est pas desserré.
16	Le cylindre	Tous les jours	1. Vérifiez qu'il n'est pas desserré. 2. Ajoutez du lubrifiant.
17	La crémaillère	Une fois par semaine.	1. Nettoyez la poussière et les copeaux. 2. Appliquez du lubrifiant.
18	Le micro interrupteur et l'interrupteur d'arrêt d'urgence	Tous les jours	1. Vérifiez la fonction Marche-Arrêt. 2. Ne mettez pas la machine sous tension si ils sont endommagés ou cassés. Réparez-le toute de suite.

**Table des modèles de machine et de courroie**

Modèle de machine	Spécifications de courroie.	Quantité
BX-834	5340	2
BX-834V	5PK 1335	1
BX-840VB	5PK 1495	1

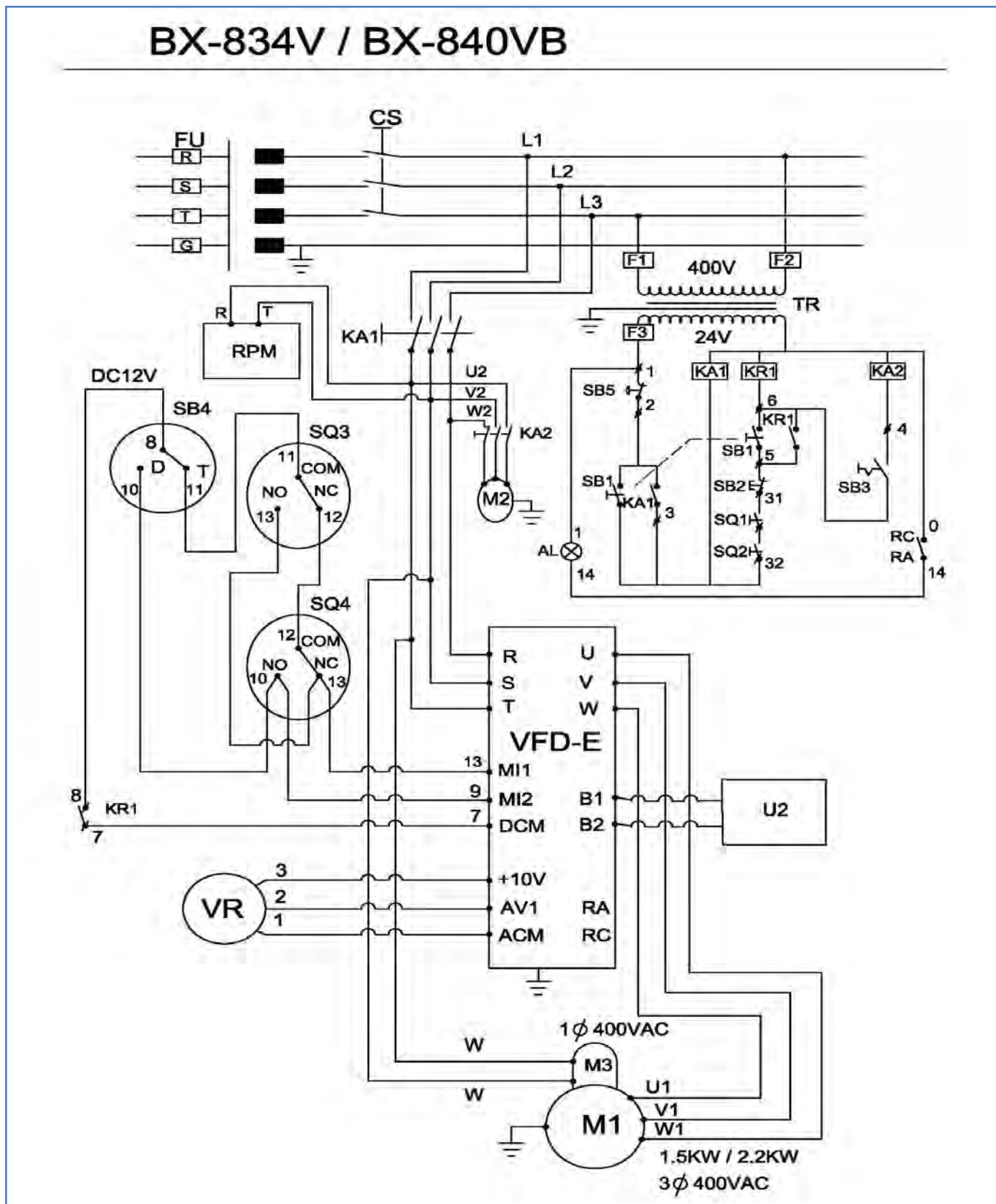
**7. SPÉCIFICATION ET PRESSION SONORE:**

MODÈLES		BX-834	BX-834V	BX-840VB
Pièce				
Capacité de perçage. (mm)		Ø32		Ø40
Taraudage		M4 ~ M16		M4 ~ M20
Col de cygne (mm)		460 mm		600 mm
Cône de la broche		CM3		CM4
Course de broche (mm)		140 mm		145 mm
Vitesse de broche		9x2 étages	Vitesses variables	Vitesses variables
Vitesse de broche (tpm)	50 Hz	105 - 2650/min	80 - 2500/min	70 - 2000/min
Diamètre de la colonne (mm)		Ø102 mm		Ø115 mm
Dimensions de la table (mm)		T 320 × 480 mm		T 400 × 470 mm
Dimensions de la base (mm)		T 660 × 465 mm		T 660 × 465 mm
Moteur		1.1kW 400V3Ph	1.5kW 400V3Ph	2.2kW 400V3Ph
Poids net (kg)		N.W-305 Kg	N.W-295 Kg	N.W-300 Kg
Dimensions de l'emballage (mm)		1110 × 570 × 2030 mm		1160 × 570 × 2060 mm
Volume		45,4 cu.ft		48.1 cu.ft
Cartons d'emballage par machine		1		1

	BX-834	BX-834V	BX-840VB
A	1810		1900
B	330		347.5
C	230		230
D	880		1100
E	720		715
F	1130		1145
G	1000		1050
H	230		300

- A- niveau de pression acoustique mesuré à vide Lpa= 62 dB(A)
- B- niveau de pression acoustique mesuré en charge Lpa= 64 dB(A)

8. DIAGRAM CONTROL CIRCUIT:



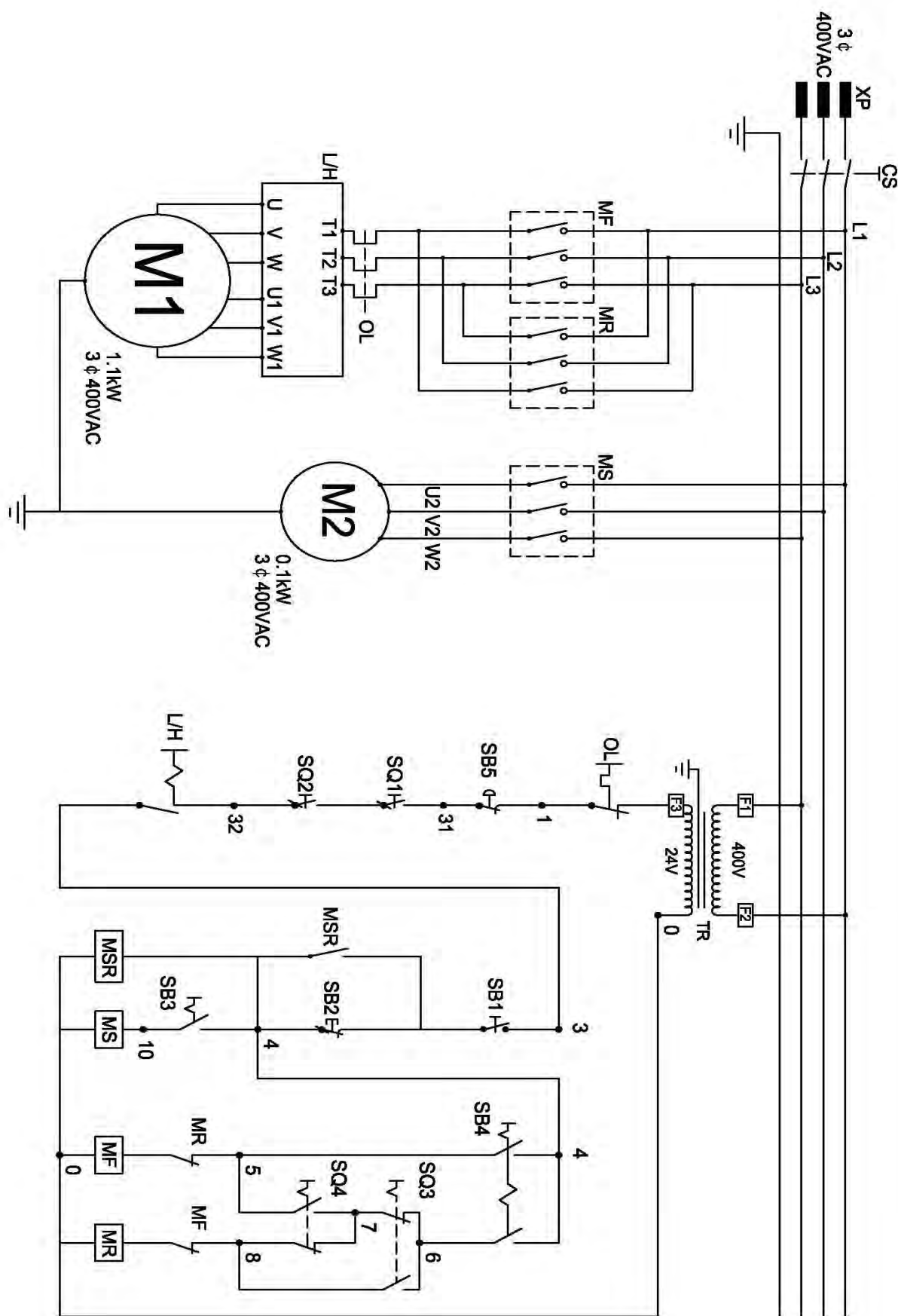


Liste component électrique

Part No.	Component / Object	Type / Model	Ratings/ Technical Data	PCS	Complies with the following standard	Marks of conformity granted
CS	GENERALON/OFF SWITCH	ZH-C316	AC 440V16A	1	EN60947	CE
KA1	CONTACTOR	C-12D	AC 440V/24V/12A	1	IEC 947-4-1	CE UL SA
KA2	CONTACTOR	C-12D	AC 440V/24V/12A	1	IEC 947-4-1	CE UL SA
TR	TRANSFORMER	SL-2930N	AC400V/24V7.2VA	1	IEC61558-1/-2-4	CE
SB1	PUSH BUTTON	GBF-22	INOAC125V,6A	1	IEC144	CSACE
SB2	PUSH BUTTON	GBF-22	INCAC125V,6A	1	IEC144	CSACE
SB3	SELECTION SWITCH PUMP	GLCS-22	INCAC125V,6A	1	IEC144	CSACE LR108205-2
SB4	SELECTION SWITCH (DRILL/TAP)	GCS-22	INAAC125V,6A	1	IEC144	CSACE LR108205-2
SB5	EMERGENCY STOP	GLEB-22	INCAC125V,6A	1	IEC144	CSACE LR108205-2
VFD-E	INVERTER	VFD-E	AC 400V / 1.5kW AC 400V / 2.2kW	1	EN 50178 EN 61800-3	CE EMC
U2	BRAKING RESISTOR	QSOJ013	200W250Ω	1		
VR	SPEED ADJUSTING KNOB	RV24YN	DC 10V	1		
M1	MOTOR MAIN SPINDLE	BX-834V BX-840VB	1.5kW / AC 400V/3Ph 2.2kW / AC 400V/3Ph	1		
M2	MOTOR PUMP	8150	0.1kW/AC 400V/3Ph	1		
M3	MOTOR COOLING FAN	UF-12A38	AC 400V/1PH	1		
SQ1	MICOR SWITCH CHUCK GUARD	VS10N001C2	AC 250V/10A	1		
SQ2	MICOR SWITCH COVER GUARD	QKS8	AC 250V/12A	1	VDE0660 EN60947-5-1	
SQ3	LIMIT SWITCH TAPPING	Z-15GW2-B	AC 250V/15A	1	EN 61058-1 VDE	
SQ4	LIMIT SWITCH REVERSE	VX-5-1A2	AC 250V/5A	1	VDE	
XP	SOCKET	TBC-20	AC 600V/10A	16		UL
F1.F2.F3	FUSE STE	MFB-103	FUSE-F1.F2-0.5A FUSE-F3-3A	3		
KR1	RELAY	BMV5-2C5-S-CWL	24VAC/28V5A	1		
AL	Fault	PLN22Y24	AC 30V,0.5A	1	IEC144	CSACE
RPM	RPM DISPLAY UNIT	RPM108	440V	1		

ELECTRICAL DIAGRAM / ELEKTRISCHE ANLAGE / SCHÉMA ÉLECTRIQUE

BX-834



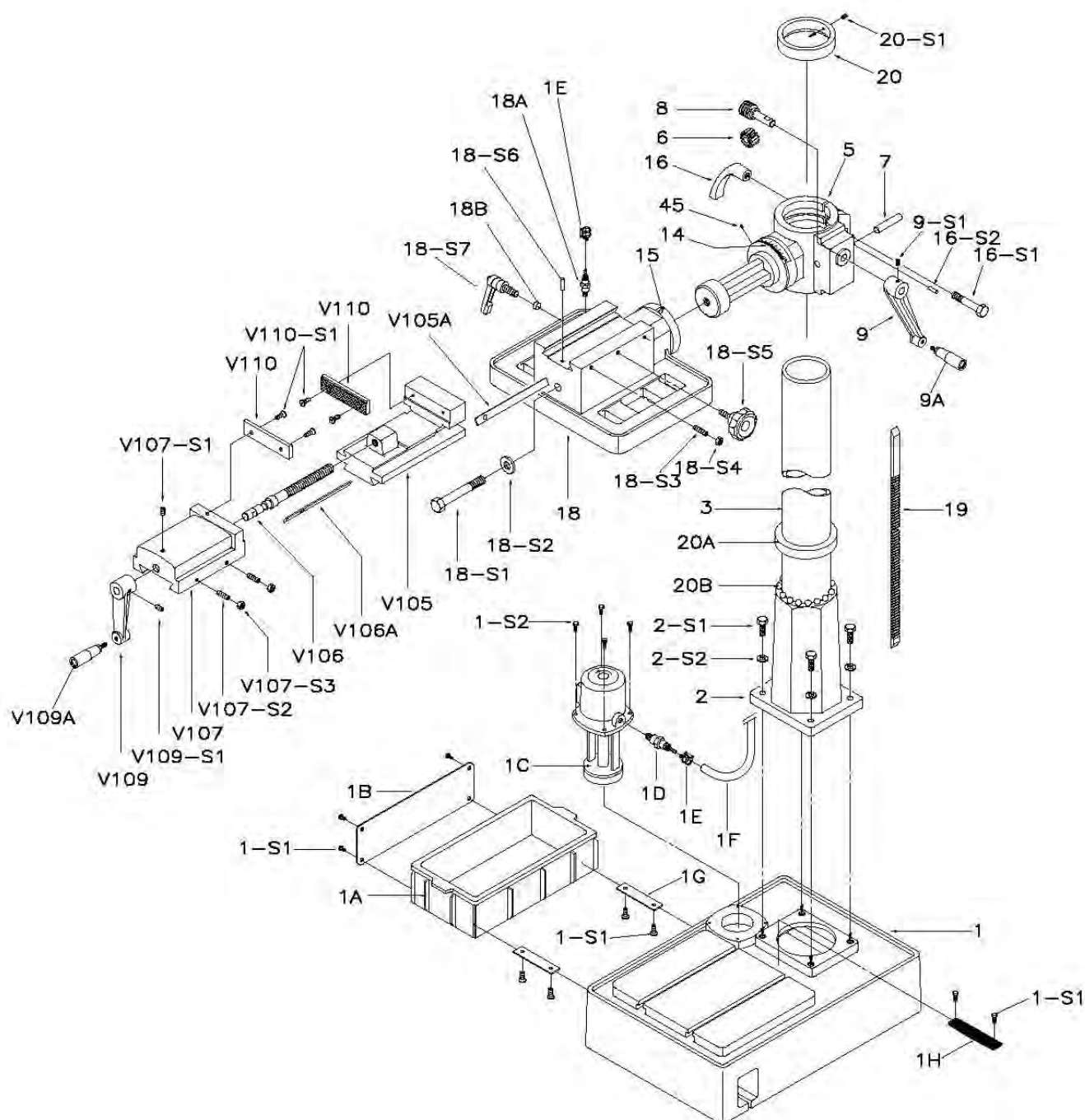
Liste component électrique

Part No.	Component / Object	Type / Model	Ratings / Technical Data	PCS	Complies with the following standard	Marks of conformity granted
CS	GENERALON/OFF SWITCH	ZH-C316	AC 440V16A	1	EN60947	CE
MR	CONTACTOR	KNL9-01	AC 440V/24V/12A	1	IEC 60947-4-1	CE UL SA
MF	CONTACTOR	KNL9-01	AC 440V/24V/12A	1	IEC 60947-4-1	CE UL SA
OL	OVERLOAD	NTH-6.5	AC 600V 6A (4.5-6.5A)	1	IEC 60947-4-1	CE UL SA
MSR	RELAY	JQX-13F	AC24V 5A	1		CE UL SA
MS	RELAY	BMY5-2C5-S-CL	24VAC / 28V 5A	1		CE UL SA
SB1	PUSH BUTTON	GBF-22	INOAC125V,6A	1	IEC144	CSACE
SB2	PUSH BUTTON	GBF-22	INCAC125V,6A	1	IEC144	CSACE
SB3	SELECTION SWITCH PUMP	GLCS-22	INCAC125V,6A	1	IEC144	CSACE LR108205-2
SB4	SELECTION SWITCH (DRILL/TAP)	GCS-22	INAAC125V,6A	1	IEC144	CSACE LR108205-2
SB5	EMERGENCYSTOP	GLEB-22	INCAC125V,6A	1	IEC144	CSACE LR108205-2
L/H	CAMSWITCH	AC-22A	AC600V 20A	1	IEC 60947-3	CSACE
M1	MOTOR MAIN SPINDLE	BX-834	1.1kW / AC 400V/3Ph	1		
M2	MOTOR PUMP	8150	0.1kW/AC 400V/3Ph	1		
SQ1	MICOR SWITCH CHUCK GUARD	VS10N001C2	AC 250V / 10A	1		
SQ2	MICOR SWITCH COVER GUARD	QKS8	AC 250V / 12A	1	VDE0660 EN60947-5-1	
SQ3	LIMITSWITCH TAPPING	Z-15GW2-B	AC 250V / 15A	1	EN 61058-1 VDE	
SQ4	LIMITSWITCH REVERSE	VX-5-1A2	AC 250V / 5A	1	VDE	
XP	SOCKET	TBC-20	AC 600V / 10A	16		UL
TR	TRANSFORMER	SL-2930N	AC400V/24V7.2VA	1	IEC61558-1/-2-4	CE
F1.F2.F3	FUSE STE	MFB-103	FUSE-F1.F2-0.5A FUSE-F3-3A	3		

9. VUE ÉCLATÉES

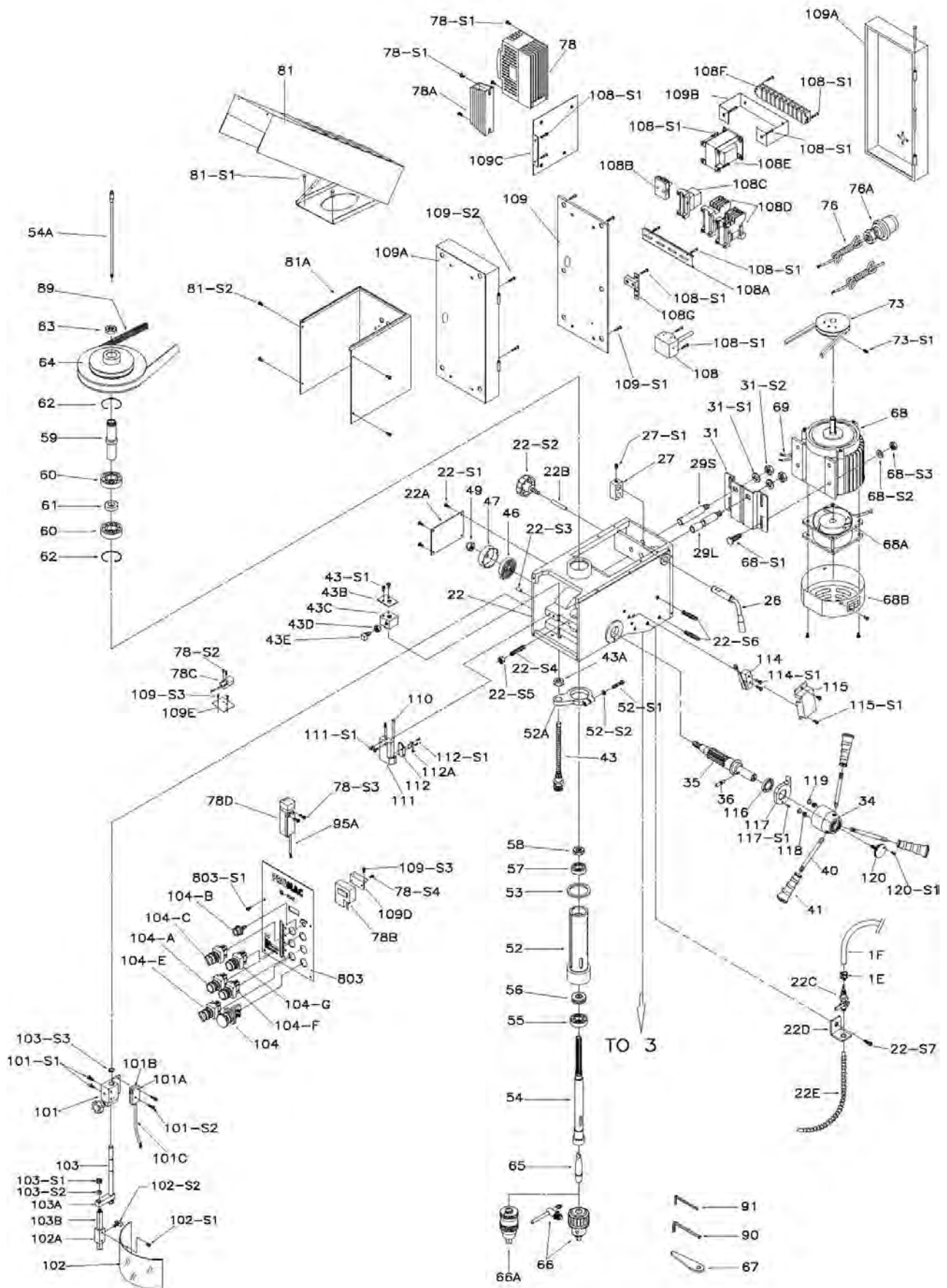
EXPLODED VIEW / EXPLOSIONSDARSTELLUNG / VUE ÉCLATÉE 930E

**834V / 834**



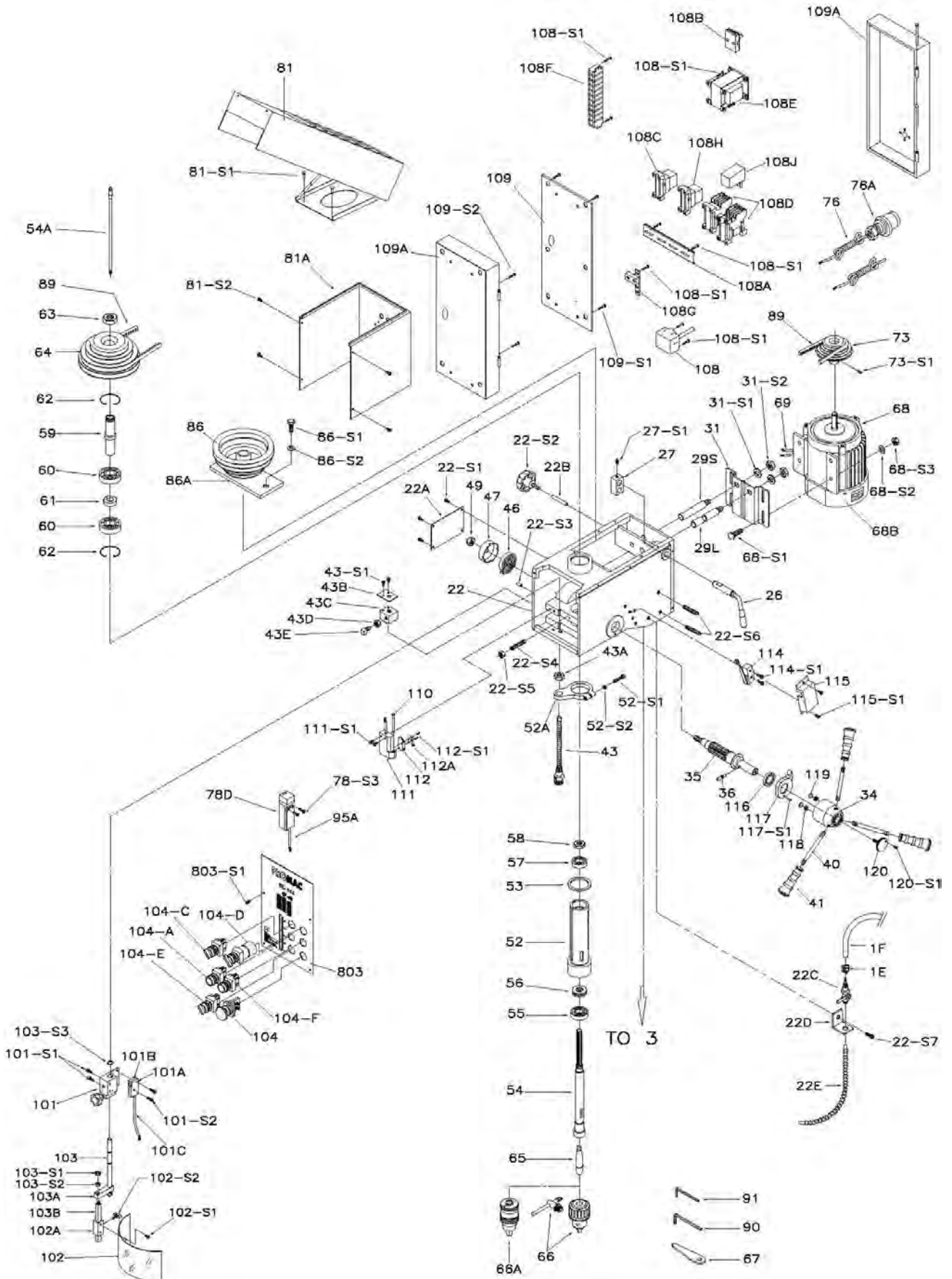
EXPLODED VIEW / EXPLOSIONSDARSTELLUNG / VUE ÉCLATÉE 930E

**834V**



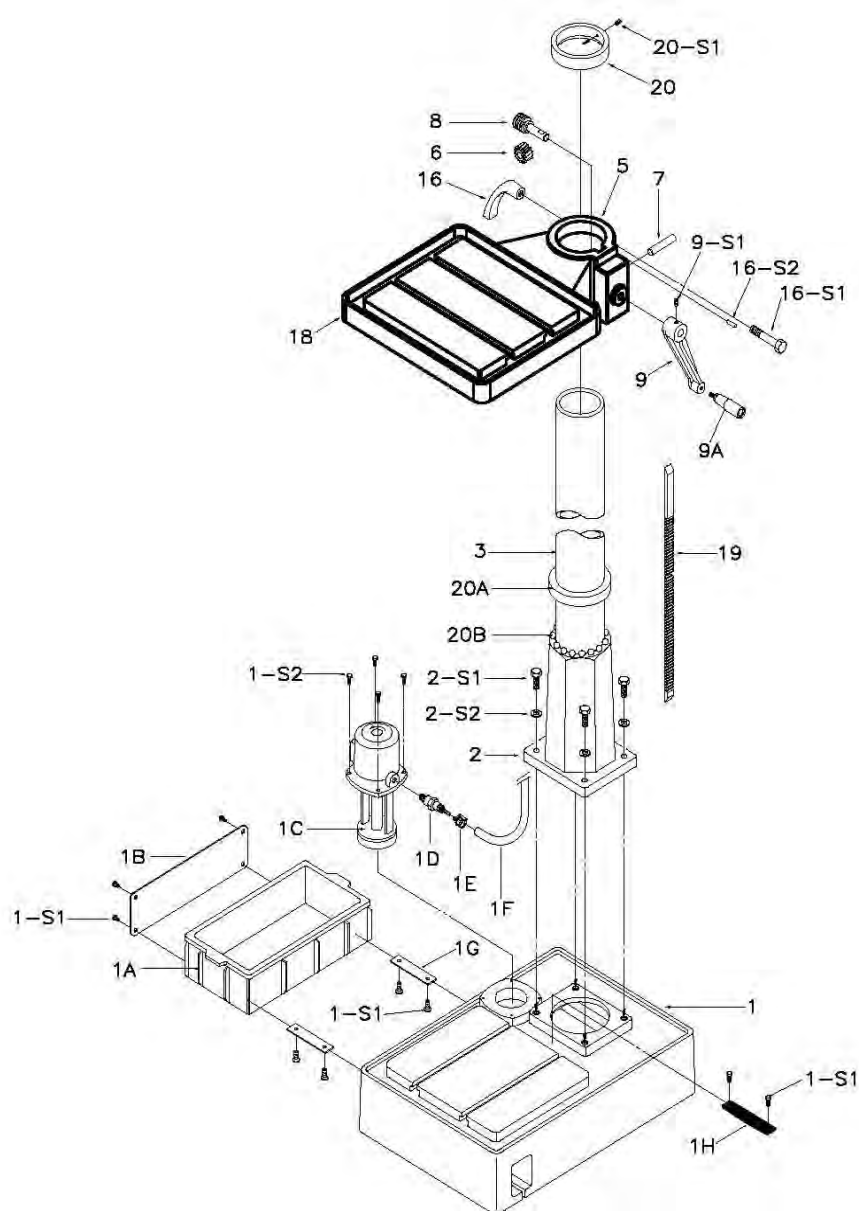
EXPLODED VIEW / EXPLOSIONSDARSTELLUNG / VUE ÉCLATÉE 930E

834



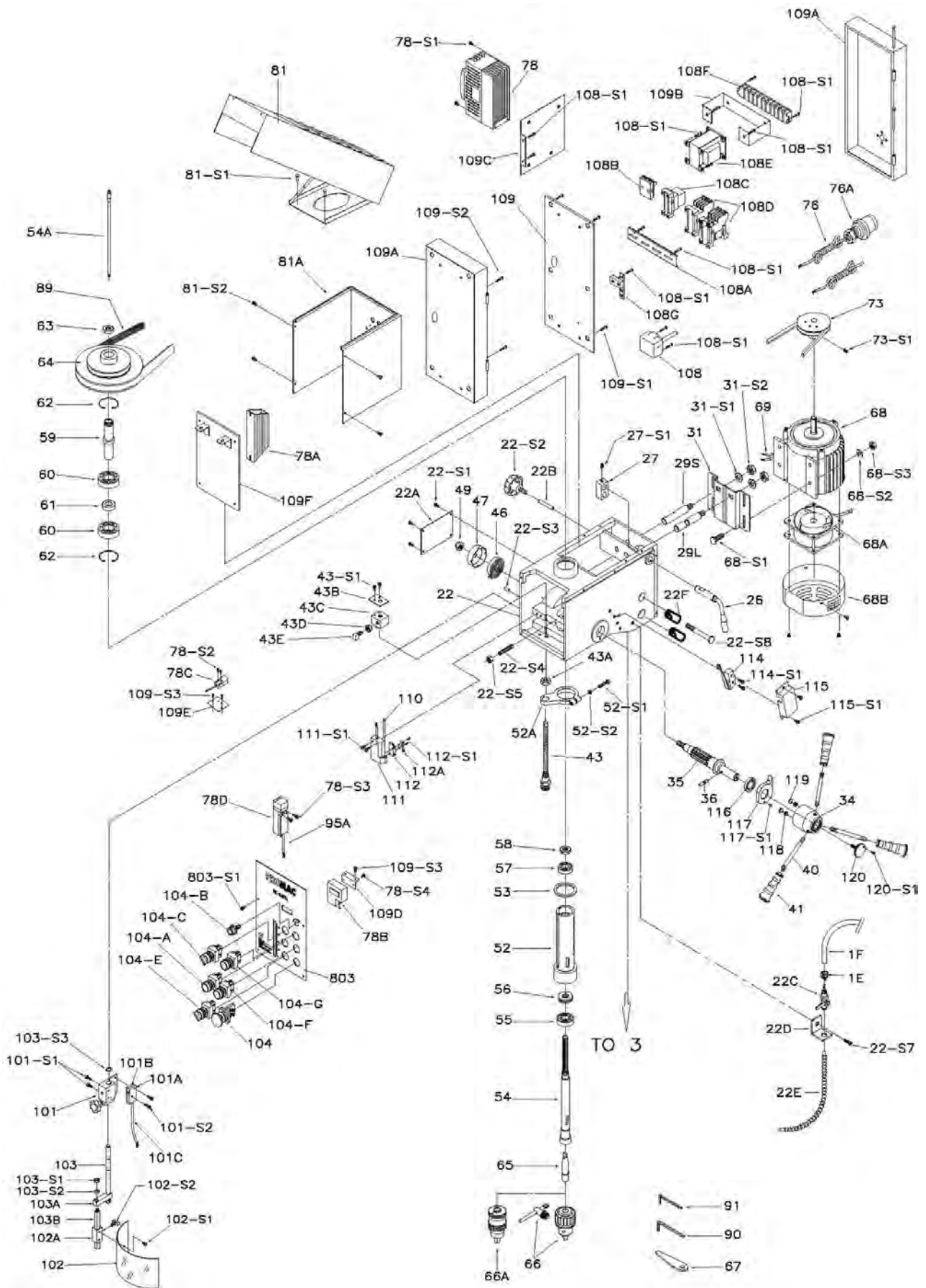
EXPLODED VIEW / EXPLOSIONSDARSTELLUNG / VUE ÉCLATÉE 930E

**840VB**



EXPLODED VIEW / EXPLOSIONSDARSTELLUNG / VUE ÉCLATÉE 930E

**840VB**





## PART LIST / ERSATZTEILLISTE / LISTE DES PIÈCES DÉTACHÉES

1	PM-834001	Fussplatte / Pied
1A	PM-833001C	Behälter / Réservoir
1B	PM-833001B	Abdeckung / Couvercle
1C	PM-930301P	Pumpe / Pompe, 400V, 3Ph
	PM-834001C	Pumpe / Pompe, 400V, 1Ph
1D	PM-919108	Verschraubung / Raccord
1E	PM-919109	Briede / Bride
1F	PM-918090	Schlauch / Tuyeau
1G	PM-834001G	Platte / Plate
1H	PM-834001H	Klammer / Bride
1-S1	PM-833001B	Schraube / Vis
1-S2	PM-320046	Schraube / Vis
2+3	PM-833002	Säule / Colonne
2-S1	PM-820004	Schraube / Boulon
2-S2	PM-820004A	Federring / Rondelle
3	siehe Pos. 2	siehe / voir Pos. 2
5	PM-840V005	Säulenflansch / Flasque
6	PM-840V006	Zahnrad / Engrenage
7	PM-840V007	Welle / Axe
8	PM-840V008	Schneckenwelle / Axe
9	PM-833009	Kurbel / Manivelle
9A	PM-834009A	Griff / Poignée
9-S1	PM-820010	Schraube / Vis
14	PM-840V014	Skala / Scale
15	PM-840V015	Pfeil / Flèche
16	PM-833016B	Klemmgriff / Manette
16-S1	PM-833016	Bolzen / Boulon
16-S2	PM-833016A	Stift / Goupille
18	PM-840V018	Tisch / Table
18A	PM-834018A	Verschraubung / Raccord
18B	PM-834018B	Büchse / Goupille
18-S1	PM-840V018	Schraube / Vis
18-S2	PM-834018S2	Federring / Rondelle
18-S3	PM-833018A	Schraube / Vis
18-S4	PM-833018B	Schraube / Vis
18-S5	PM-840V018A	Bolzen / Boulon
18-S6	PM-833018C	Stift / Goupille
18-S7	PM-840V018B	Klemmgriff / Manette
19	PM-833018	Zahnstange / Cremaillère
20	PM-833020	Ring / Bague
20A	PM-840V020A	Ring / Bague
20B	PM-833020B	Kugel / Bille
20-S1	PM-833021	Schraube / Vis
22	PM-840V022	Kopfgehäuse / Carcasse de la tête
22A	PM-840V022A	Abdeckung / Couvercle
22B	PM-833030A	Stift / Goupille
22C	PM-918092	Hahn / Robinet
22D	PM-937202	Halter / Flasque
22E	PM-93720	Schlauch / Tuyeau flexible
22F		Aluminum fixed BX-840VB
22-S1	PM-833022-1	Schraube / Vis
22-S2	PM-820030	Klemmgriff / Poignée
22-S3	PM-820048	Stift / Goupille
22-S4	PM-820050	Schraube / Vis
22-S5	PM-820051	Mutter / Erou
22-S6	PM-840V022F	Schraube / Vis
22-S7	PM-320046	Federring / Rondelle
22-S8		Federring / Rondelle BX-840VB
26	PM-833026	Hebel / Poignée
27	PM-833027	Flansch / Flasque
27-S1	PM-833028	Schraube / Vis
29L	PM-820029	Welle / Axe
29S	PM-820029A	Welle / Axe
31	PM-834031	Motorplatte / Plate moteur
31-S1	PM-820032	Federring / Rondelle
31-S2	PM-820033	Mutter / Erou
34	PM-833034	Flansch / Flasque
35	PM-833035	Welle / Axe
36	PM-833036	Schraube / Vis
40	PM-833040	Griffstange / Levier
41	PM-820041	Griff / Poignée
43	PM-833043	Tiefenanschlagstange / Axe

## PART LIST / ERSATZTEILLISTE / LISTE DES PIÈCES DÉTACHÉES

43A	PM-820043A	Mutter / Ecrou
43B	PM-833043H	Halter / Support
43C	PM-833043E	Halter / Support
43D	PM-833043F	Mutter / Ecrou
43E	PM-833043G	Skala / Scale
43-S1	PM-820080	Schraube / Vis
45		Niete / Rivet
46-47	PM-840V046	Feder / Ressort
47		siehe / voir Pos. 46
49	PM-820049	Mutter / Ecrou
52	PM-840V052A	Spindelhülse / Fourreau
52A	PM-840V052B	Halter / Support
	PM-840V052C	Support of BX-840VB
52-S1	PM-820052C	Schraube / Vis
52-S2	PM-820052B	Scheibe / Rondelle
53	PM-840V053	Gummiring / Joint
54	PM-840V054	Spindelwelle / Arbre
54A	PM-840V054A	Zugstange / Axe
55	PM-840055	Kugellager / Roulement
56	PM-840V056	Drucklager / Roulement
57	PM-840V057	Kugellager / Roulement
58	PM-840V058	Mutter / Ecrou
59	PM-840V059	Welle / Axe
60	PM-840V060	Kugellager / Roulement
61	PM-840V061	Ring / Palier
62	PM-840V062	Sicherungsring / Circlip
63	PM-840V063	Mutter / Ecrou
64	PM-840V064	Spindelriemenscheibe / Poulie broche
65	9165	Adapter / Adaptateur MK3/B18
66A	9457	Bohrfutter / Mandrin 1-13mm
67	944477	Austreibkeil / Chasse-outils
68-68B	PM-840V068	Motor / Moteur
68B	PM-840V068B	Lüfterschutz / Couvercle moteur
68-S1	PM-840V068A	Schraube / Vis
68-S2	PM-840V068B	Scheibe / Rondelle
68-S3	PM-840V068C	Mutter / Ecrou
73	PM-834073V	Motorriemenscheibe / Poulie moteur
73-S1	PM-820074	Schraube / Vis
76		Netzkabel / Câble
76A		Stecker / Fiche
76B		Pumpenkabel / Câble pompe
78	PM-840V078	Inverter / Inverter
78A	PM-834078A	Widerstand / Resistance
78B	PM-834078B	Drehzahlanzeige / Display vitesse
78C	PM-367278	Sensor / Sensor
78D	PM-834078D	Endschalter / Interrupteur micro
78-S1	PM-820080	Schraube / Vis
78-S2	PM-834078B	Schraube / Vis
78-S3	PM-834078C	Schraube / Vis
78-S4	PM-820078D	Schraube / Vis
81	PM-840V081	Riemenschutzdeckel / Couvercle courroie
81A	PM-840V081A	Abdeckung / Couvercle
81-S1	PM-834081B	Schraube / Vis
81-S2	PM-834081C	Schraube / Vis
86	PM-840V086	Riemenscheibe / Poulie BX-834
86A	PM-840V086A	Träger / Support BX-834
86-S1	PM-840V086B	Schraube / Vis
86-S2	PM-840V086C	Scheibe / Rondelle BX-834
89-90	PM-840V089	Keilriemen / Courroie
90	PM-840V090	Schlüssel / Clé
91	PM-840V091	Schlüssel / Clé
95	PM-840V095	Halter / Support
95A		Kabel / Câble
95B		Kabel / Câble
95C		Kabel / Câble
101	PM-833101	Halter / Support
101A	PM-833101A	Endschalter / Interrupteur micro
101	PM-834101B	Gehäuse / Boîte
101C		Kabel / Câble
101-S1	PM-820102C	Schraube / Vis
101-S2	PM-834101D	Schraube / Vis
102	PM-930100	Plexischutz / Protection verre
102	PM-930102	Schutz / Protection compl.
102A		siehe / voir Pos. 102

## PART LIST / ERSATZTEILLISTE / LISTE DES PIÈCES DÉTACHÉES

102-S1	PM-834102S1	Schraube / Vis
102-S2	PM-834102S2	Schraube / Vis
103		siehe / vois Pos. 102
103A		siehe / vois Pos. 102
103B		siehe / vois Pos. 102
103-S1		siehe / vois Pos. 102
103-S2		siehe / vois Pos. 102
103-S3	PM-820101D	Sicherungsring / Circlip
104	PM-834104	Not-/Ausschalter / Interrupteur de sécurité
104-A	PM-820104A	Startschalter / Interrupteur start
104-B	PM-820104B	Drehzahlwahlschalter / Interrupteur viesses
104-C	PM-383520	Drehrichtungschalter / Interrupteur selection
104-D	PM-930078	Jkm Cam Switch / Drehzahlwahlschalter / Inerrupteur vitesses BX-834
104-E	PM-920326	Pumpenschalter / Interrupteur pompe
104-F	PM-820104	Ausschalter / Interrupteur arrête
104-G	PM-378200	Kontrolllampe / Lampe de contrôle
108	PM-833109E	Hauptschalter / Interrupteur primare
108A	PM-834108A	Halter / Support
108B	PM-834108B	Sicherungseinsatz / Porte fuse
108C	PM-834108C	Relais / Relais
108D	PM-834108D	Kontaktschütze / Contacteur
108E	PM-834108E	Transformator / Transformateur
108F	PM-834108F	Klemmleiste / Porte câble
108G	PM-834108G	Halter / Support
108H	PM-840V108H	Pumpenrelais / Relais pompe BX-834
108J	PM-840V108J	Überlastrelais / Relais protection BX-834
108-S1	PM-833109D	Schraube / Vis
109	PM-834109	Platte / Plate
109A	PM-834109A	Schaltkasten / Boîte électrique
109B	PM-834109B	Halter / Support
109C	PM-834109C	Platte / Plate
109D	PM-834109D	Halter / Support
109E	PM-834109E	Halter / Support
109F		Halter / Support BX-840VB
109-S1	PM-834109S1	Schraube / Vis
109-S2	PM-834109S2	Schraube / Vis
109-S3	PM-834109S3	Schraube / Vis
110	PM-833110	Bolzen / Goupille
111	PM-833111	Halter / Support
111-S1	PM-833113	Schraube / Vis
112	PM-833112A	Endschalter / Interrupteur micro
112A	PM-833112B	Drücker / Passer poignée
112-S1	PM-834112S1	Schraube / Vis
114	PM-833114	Endschalter / Interrupteur micro
114-S1	PM-834114S1	Schraube / Vis
115	PM-833115	Abdeckung / Couvercle
115-S1	PM-834115S1	Schraube / Vis
116	PM-834116	Drucklager / Roulement
117	PM-833117	Flansch / Flasque
117-S1	PM-833117A	Bolzen / Goupille
118	PM-833118	Feder / Ressort
119	PM-833119	Magnet / Aimant
120	PM-833120	Bolzen / Boulon
120-S1	PM-833121	Schraube / Vis
V105	PM-840V105	Spannstockschlitten / Etau
V105A	PM-840V105A	Führung / Barre
V106	PM-840V106	Spindel / Broche
V106A	PM-840V106-1	Führung / Barre
V107	PM-840V107	Oberschlitten / Etau
V107-S1	PM-833V107S1	Schraube / Vis
V107-S2	PM-833V107S2	Schraube / Vis
V107-V3	PM-833V107S3	Mutter / écrou
V109	PM-840V109	Kurbel / Levier
V109A	PM-840V109A	Griff / Poignée
V109-S1	PM-833V109S1	Schraube / Vis
V110	PM-833V110	Backe / Machoire
V110-S1	PM-833V110S1	Schraube / Vis
803-S1	PM-840V803S1	Schraube / Vis
803	PM-834803	Frontplatte / Tableau BX-834
	PM-834V803	Frontplatte / Tableau BX-834V
	PM-834VB803	Frontplatte / Tableau BX-834VB
	PM-840VB803	Frontplatte / Tableau BX-834VB

## SUPPRESSION DES DÉFAUTS DE LA RÉGULATION ÉLECTRONIQUE

**REMARQUE :** Les interventions sur les composants électroniques ne doivent être effectuées que par un personnel spécialement formé. Avant d'effectuer des manipulations dans les composants électroniques, il faut respecter les points suivants :

1. Couper l'alimentation électrique.
2. Les composants électroniques sont très sensibles. Il faut veiller à ce que le montage ou le démontage des composants ne s'effectue pas à mains nues ni en utilisant des outils métalliques.
3. Le condensateur à courant continu demeure en permanence sous tension, même lorsque la machine elle-même n'est pas en marche. Pour éviter les blessures, assurez-vous que le témoin LED est entièrement éteint.
4. Veiller à ce que la plaque de base des circuits électroniques est parfaitement propre.
5. Ne jamais relier les connecteurs de sortie (U/V/W) du régulateur de moteur (courant continu ou c.c.) directement au circuit de courant alternatif (c.a.).

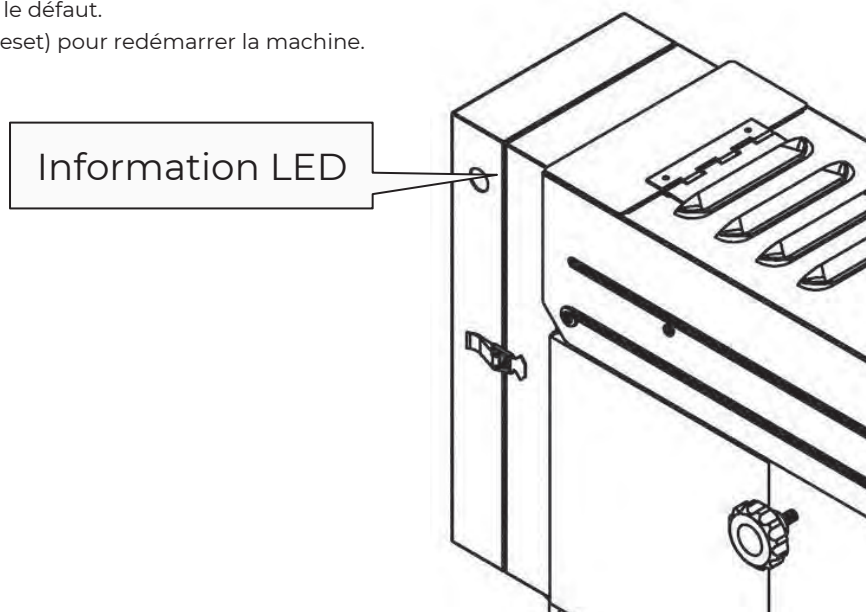
Remarque concernant le dépiage des défauts :

Les modèle PROMAC BX-834V et BX 840V sont équipé d'un programme de diagnostic électronique qui donne des indications sur :

la surcharge du moteur, la tension trop élevée ou trop faible, etc. Si la machine découvre un défaut, elle est automatiquement arrêtée et le défaut apparaît sur l'afficheur LED.

Suivez le descriptif ci-dessus pour supprimer le défaut.

Appuyer sur le bouton de mise en marche (Reset) pour redémarrer la machine.



Affichage à diodes	Erreur	Correction
OC	Indication d'un courant anormal.	<ol style="list-style-type: none"> <li>1. Vérifiez que la tension au moteur correspond</li> <li>2. Vérifiez le câblage entre le moteur et le variateur</li> </ol>
OU	Le variateur s'est aperçu que la valeur du courant continu dépasse la valeur admise.	Vérifiez que la tension d'entrée au circuit correspond à celle du variateur.
OH1 OH2	Le palpeur du variateur du moteur a constaté une surchauffe.	<ol style="list-style-type: none"> <li>1. Vérifiez que l'organe de refroidissement est correct.</li> <li>2. Contrôler le libre de corps étrangers ou de souillures.</li> </ol>

Affichage à diodes	Erreur	Correction
Lu	Le variateur du moteur a constaté que la tension du courant continu a une valeur inférieure au minimum autorisé.	Vérifiez que la tension d'entrée du courant correspond à celle du variateur du moteur.
oL	Le variateur a constaté une demande excessive de courant. Notice: Le variateur du moteur de courant peut mettre 150% surcharge durant 60 secondes.	Contrôlez si le moteur est en surcharge.
oL 1	La protection électronique interne de surcharge du variateur a réagi.	Contrôlez si le moteur est en surcharge.
oL 2	Le moteur est en surcharge.	Réduire la charge du moteur.
ocR	Tension trop élevée durant la montée en vitesses.	Vérifiez le câblage de sortie du régulateur de moteur : Isolation défectueuse?
ocD	Tension trop élevée durant la décélération.	Vérifiez le câblage de sortie du régulateur de moteur : Isolation défectueuse?
ocn	Tension trop élevée avec une charge uniforme.	Vérifiez le câblage de sortie du régulateur de moteur : Isolation défectueuse? Contrôler le moteur.
cF 1.0	Le variateur a découvert une erreur interne.	<ol style="list-style-type: none"> <li>1. Mettre la machine hors circuit.</li> <li>2. Redémarrer la machine.</li> <li>3. Si l'affichage à diodes persiste avec les mêmes chiffres d'erreur il faut en informer le service après-vente.</li> </ol>
cF 1.1		
cF 2.0	Le variateur a trouvé des données erronées ou ne peut pas être programmée.	
cF 2.1		
cF 3.0	Le variateur ne fonctionne pas.	
cF 3.1		
cF 3.2		
cF 3.3		
cF 3.4		
cF 3.5		
OFF	Erreur de mise à la terre ou de fusibles.	<ol style="list-style-type: none"> <li>1. Contrôler bien que l'installation de la terre est correct.</li> <li>2. Redémarrer la machine.</li> <li>3. Si l'affichage à diodes persiste avec les mêmes chiffres d'erreur il faut en informer le service après-vente.</li> </ol>



## ENVIRONMENTAL PROTECTION

Protect the environment.

Your appliance contains valuable materials which can be recovered or recycled. Please leave it at a specialized institution.



This symbol indicates separate collection for electrical and electronic equipment required under the WEEE Directive (Directive 2012/19/EC) and is effective only within the European Union.

---

### UMWELTSCHUTZ

Schützen Sie die Umwelt!

Ihr Gerät enthält mehrere unterschiedliche, wiederverwertbare Werkstoffe.

Bitte entsorgen Sie es nur an einer spezialisierten Entsorgungsstelle.



Dieses Symbol verweist auf die getrennte Sammlung von Elektro- und Elektronikgeräten, gemäß Forderung der WEEE-Richtlinie (2012/19/EU). Diese Richtlinie ist nur innerhalb der Europäischen Union wirksam.

---

### PROTECTION DE L'ENVIRONNEMENT

Protégez l'environnement !

Votre appareil comprend plusieurs matières premières différentes et recyclables. Pour éliminer l'appareil usagé, veuillez l'apporter dans un centre spécialisé de recyclage des appareils électriques.



Ce symbole indique une collecte séparée des équipements électriques et électroniques conformément à la directive DEEE (2012/19/UE). Cette directive n'est efficace que dans l'Union européenne.



## WARRANTY / GARANTIE

TOOL FRANCE guarantees that the supplied product(s) is/are free from material defects and manufacturing faults.

This warranty does not cover any defects which are caused, either directly or indirectly, by incorrect use, carelessness, damage due to accidents, repairs or inadequate maintenance or cleaning as well as normal wear and tear.

Further details on warranty (e.g. warranty period) can be found in the General Terms and Conditions (GTC) that are an integral part of the contract.

These GTC may be viewed on the website of your dealer or sent to you upon request.

TOOL FRANCE reserves the right to make changes to the product and accessories at any time.

---

TOOL FRANCE garantiert, dass das/die von ihr gelieferte/n Produkt/e frei von Material- und Herstellungsfehlern ist.

Diese Garantie deckt keinerlei Mängel, Schäden und Fehler ab, die - direkt oder indirekt - durch falsche oder nicht sachgemäße Verwendung, Fahrlässigkeit, Unfallschäden, Reparaturen oder unzureichende Wartungs- oder Reinigungsarbeiten sowie durch natürliche Abnutzung durch den Gebrauch verursacht werden.

Weitere Einzelheiten zur Garan können den allgemeinen Geschäftsbedingungen (AGB) entnommen werden.

Diese können Ihnen auf Wunsch per Post oder Mail zugesendet werden.

TOOL FRANCE behält sich das Recht vor, jederzeit Änderungen am Produkt und am Zubehör vorzunehmen.

---

TOOL FRANCE garantit que le/les produit(s) fourni(s) est/sont exempt(s) de défauts matériels et de défauts de fabrication.

Cette garantie ne couvre pas les défauts, dommages et défaillances causés, directement ou indirectement, par l'utilisation incorrecte ou inadéquate, la négligence, les dommages accidentels, la réparation, la maintenance ou le nettoyage incorrects et l'usure normale.

Vous pouvez trouver de plus amples détails sur la garantie dans les conditions générales (CG).

Les CG peuvent être envoyées sur demande par poste ou par e-mail.

TOOL FRANCE se réserve le droit d'effectuer des changements sur le produit et les accessoires à tout moment.

# UK DECLARATION OF CONFORMITY

Edition March 2024

Product:

**DRILL PRESS**

Model:

**BX-834**

**BX-834V**

**BX-834VS**

**BX-840VB**

Brand:

**PROMAC**

Manufacturer or authorized representative:

**TOOL FRANCE**

Unit 1a Stepnell Park

Off Lawford Road

Rugby

CV21 2UX

United Kingdom

We hereby declare that this product complies with the regulations:

**SUPPLY OF MACHINERY (SAFETY) REGULATIONS 2008**  
**ELECTROMAGNETIC COMPATIBILITY REGULATIONS 2016**

Designed in consideration of the standards:

**EN ISO 12100:2010**

**EN 12717:2001+A1:2009**

**EN 61024-1:2018**

**EN 61000-6-2:2005**

**EN 61000-6-4:2007+A1:2011**

Responsible for the documentation / Dokumentations-Verantwortung / Responsable de la documentation :



**JÉRÔME GERMAIN**

GENERAL MANAGER

DIRECTEUR GÉNÉRAL

**N° de série / serial number :**

At lisses / Hergestellt in / Fait à Lisses

Date :



# CE-CONFORMITY DECLARATION CE-KONFORMITÄTSERKLÄRUNG DÉCLARATION DE CONFORMITÉ CE

Edition March 2024

Product/Produkt/Produit:

Drill Press/Säulenbohrmaschinen/Perceuses à colonne

**BX-834 / BX-834V / BX-840VB**

Brand/Marke/Marque:

**PROMAC**

Manufacturer or authorized representative/ Hersteller oder Bevollmächtigter/ Fabricant ou son mandataire:

**TOOL FRANCE**

9 Rue des Pyrénées, 91090 LISSES, France

We hereby declare that this product complies with the regulations

Wir erklären hiermit, dass dieses Produkt der folgenden Richtlinie entspricht

Par la présente, nous déclarons que ce produit correspond aux directives suivantes

**2006/42/EC**

Machinery Directive/ Maschinenrichtlinie/ Directive Machines

**2014/30/EU**

electromagnetic compatibility / elektromagnetische Verträglichkeit / compatibilité électromagnétique

designed in consideration of the standards

und entsprechend folgender zusätzlicher Normen entwickelt wurde

et été développé dans le respect des normes complémentaires suivantes

**EN ISO 12100 :2010**

**EN 12717 : 2001+ A1 : 2009**

**EN 61024-1:2018**

**EN 61000-6-2:2005**

**EN 61000-6-4:2007+A1:2011**

Original instruction manual / Original-Bedienungsanleitung / Notice d'instruction Originale

Responsible for the documentation / Dokumentations-Verantwortung / Responsable de la documentation :



**JÉRÔME GERMAIN**

GENERAL MANAGER

DIRECTEUR GÉNÉRAL

**N° de série / serial number :**

At lisses / Hergestellt in / Fait à Lisses

Date :