

# JMD-45PFD-T

MILL-DRILL MACHINE  
BOHR-FRÄSMASCHINE  
PERCEUSE FRAISEUSE



[www.promac.fr](http://www.promac.fr)

**PROMAC**<sup>®</sup>



## GB - ENGLISH

### OPERATING INSTRUCTIONS

Dear Customer,

Many thanks for the confidence you have shown in us with the purchase of your new machine. This manual has been prepared for the owner and operators of JMD-45PFD-T mill-drill Machines to promote safety during installation, operation and maintenance procedures. Please read and understand the information contained in these operating instructions and the accompanying documents. To obtain maximum life and efficiency from your machine, and to use the machine safely, read this manual thoroughly and follow instructions carefully.

#### Table of Contents

##### 1. Declaration of conformity

##### 2. Warranty

##### 3. Safety

Authorized use

General safety notes

Remaining hazards

##### 4. Machine specifications

Technical data

Noise emission

Contents of delivery

##### 5. Transport and start up

Transport and installation

Assembly

Mains connection

Initial lubrication

Starting operation

##### 6. Machine operation

Controls

Spindle speed selection

##### 7. Setup and adjustments

Changing spindle speeds

Arbour replacement

Adjusting the depth stop

Engaging the fine feed wheel

Engaging the power downfeed

Tilting the gearhead

Return spring adjustment

##### 8. Maintenance and inspection

Weekly lubrication

Daily lubrication

Annual lubrication

Slide adjustments

Lead screw nut adjustment

##### 9. Trouble shooting

##### 10. Available accessories

#### 1. Declaration of conformity

On our own responsibility we hereby declare that this product complies with the regulations\* listed on page

2. Designed in consideration with the standards\*\*.

#### 2. Warranty

TOOL FRANCE guarantees that the supplied product(s) is/are free from material defects and manufacturing faults.

This warranty does not cover any defects which are caused, either directly or indirectly, by incorrect use, carelessness, damage due to accidents, repairs or inadequate maintenance or cleaning as well as normal wear and tear.

Further details on warranty (e.g. warranty period) can be found in the General Terms and Conditions (GTC) that are an integral part of the contract.

These GTC may be viewed on the website of your dealer or sent to you upon request.

TOOL FRANCE reserves the right to make changes to the product and accessories at any time.

#### 3. Safety

##### 3.1 Authorized use

This mill-drill Machine is designed for milling and drilling machinable metal and plastic materials only.

Machining of other materials is not permitted and may be carried out in specific cases only after consulting with the manufacturer.

##### Never cut magnesium- high danger to fire!

The proper use also includes compliance with the operating and maintenance instructions given in this manual.

The machine must be operated only by persons familiar with its operation and maintenance and who are familiar with its hazards.

The required minimum age must be observed.

The machine must only be used in a technically perfect condition.

When working on the machine, all safety mechanisms and covers must be mounted.

In addition to the safety requirements contained in these operating instructions and your country's applicable regulations, you should observe the generally recognized technical rules concerning the operation of metalworking machines.

Any other use exceeds authorization. In the event of unauthorized use of the machine, the manufacturer renounces all liability and the responsibility is transferred exclusively to the operator.

### 3.2 General safety notes

Metalworking machines can be dangerous if not used properly. Therefore the appropriate general technical rules as well as the following notes must be observed.

Read and understand the entire instruction manual before attempting assembly or operation.

Keep this operating instruction close by the machine, protected from dirt and humidity, and pass it over to the new owner if you part with the tool.

No changes to the machine may be made.

Daily inspect the function and existence of the safety appliances before you start the machine.

Do not attempt operation in this case, protect the machine by unplugging the power cord.

Remove all loose clothing and confine long hair.

Before operating the machine, remove tie, rings, watches, other jewellery, and roll up sleeves above the elbows.

Wear safety shoes; never wear leisure shoes or sandals.

Always wear the approved working outfit.

Do **not** wear gloves.

Wear goggles when working. Install the machine so that there is sufficient space for safe operation and work piece handling.

Keep work area well lighted.

The machine is designed to operate in closed rooms and must be bolted to the cabinet stand or a solid work bench.

Make sure that the power cord does not impede work and cause people to trip.

Keep the floor around the machine clean and free of scrap material, oil and grease.

Stay alert!

Give your work undivided attention. Use common sense. Do not operate the machine when you are tired.

Do not operate the machine under the influence of drugs, alcohol or any medication. Be aware that medication can change your behavior.

Never reach into the machine while it is operating or running down.

Never leave a running machine unattended. Before you leave the workplace switch off the machine.

Keep children and visitors a safe distance from the work area.

Do not operate the electric tool near inflammable liquids or gases. Observe the fire fighting and fire alert options, for example the fire extinguisher operation and place.

Do not use the machine in a damp environment and do not expose it to rain.

Work only with well sharpened tools.

Always close the chuck guard and pulley cover before you start the machine.

Remove the chuck key and wrenches before machine operation.

Specifications regarding the maximum or minimum size of the work piece must be observed.

Do not remove chips and work piece parts until the machine is at a standstill.

Do not stand on the machine.

Connection and repair work on the electrical installation may be carried out by a qualified electrician only.

Have a damaged or worn power cord replaced immediately.

Never place your fingers in a position where they could contact any rotating tool, chuck or cutting chips.

Secure work piece against rotation.

Use fixtures, clamps or a vice to hold the work piece.

Never hold the work piece with your hands alone.

When using a vice, always fasten it to the table.

Never do any works "freehand" (hand- holding the work piece rather than supporting it).

Never move the head while the machine is running.

If a work piece overhangs the table such that it will fall or tip if not held, clamp it to the table or provide auxiliary support.

Check the safe clamping of the work piece before starting the machine.

Remove cutting chips with the aid of an appropriate chip hook when the machine is at a standstill only.

Never stop the rotating chuck or tool with your hands.

Measurements and adjustments may be carried out when the machine is at a standstill only.

Setup work may only be carried out after the machine is protected against accidental starting by pressing the emergency stop button.

Maintenance and repair work may only be carried out after the machine is protected against accidental starting by pulling the mains plug.

Do not use wire wheels or grinding wheels on this machine.

To avoid injury from parts thrown by the spring, follow instructions exactly as given when adjusting the spring tension of the quill (see chapter 7.5)

### 3.3 Remaining hazards

When using the machine according to regulations some remaining hazards may still exist.

The rotating chuck, tool and cutting chips can cause injury.

Thrown and hot work pieces and cutting chips can lead to injury.

Chips, dust and noise can be health hazards. Be sure to wear personal protection gear such as safety goggles, dust mask and ear protection.

The use of incorrect mains supply or a damaged power cord can lead to injuries caused by electricity.

## 4. Machine specifications

### 4.1 Technical data

Drilling capacity	32mm
Tapping capacity	M20
Milling capacity of face mill	100mm
Milling capacity of end mill	20mm
Spindle to column	250 mm
Distance table to spindle	max 460mm
Spindle taper	ISO 30 (DIN 2080)
Draw bar	M12
Spindle travel	107mm
Head tilt	90°L /30°R
Spindle speeds...12	50-2500rpm
Max travel X-axis	520 mm
Max travel Y-axis	210 mm
Power feed	0,12/ 0,18/ 0,25mm/rev
Table size	240 x 825mm
T-slots...4	16mm
Overall	1080 x 1010 x 1300mm
Net weight	340 kg
Mains	400V ~3L/PE 50Hz
Output power	1,1 kW (1,5 HP) S1
Reference current	3A
Extension cord (H07RN-F):	4x1,5 mm <sup>2</sup>
Installation fuse protection	16A

### 4.2 Noise emission

Acoustic pressure level (EN 11202):

Idling at maximum speed 76,9 dB (A)

The specified values are emission levels and are not necessarily to be seen as safe operating levels.

As workplace conditions vary, this information is intended to allow the user to make a better estimation of the hazards and risks involved only.

### 4.3 Content of delivery

Tilttable vice, jaw width 85mm

13mm drill chuck with arbour ISO-30

Face mill dia 75mm, carbide tipped

Draw bar M12

3 Down feed handles

Head rising crank and handle

3 Table hand wheels

Operating tools

Operating manual

Spare parts list.

## 5. Transport and start up

### 5.1 Transport and installation

The machine will be delivered in a closed crate.

For transport use a forklift or hand trolley. Make sure the machine does not tip or fall off during transport.

The machine is designed to operate in closed rooms and must be bolted to the cabinet stand or a solid work bench.

For packing reasons the machine is not completely assembled.

### 5.2 Assembly

If you notice transport damage while unpacking, notify your supplier immediately. Do not operate the machine!

Dispose of the packing in an environmentally friendly manner.

Clean all rust protected surfaces with petroleum, diesel oil or a mild solvent.

Screw rubber handles onto quill down feed handle rods (H). Screw handle rods into hub and tighten.

Slide Z-axis crank (N) onto shaft and tighten set screw. Install crank handle.

Slide hand wheels (J, L) onto table hand wheel shafts and tighten set screws.

Install handles.

**Mounting machine to stand or solid workbench.**

Unbolt the lathe from the shipping crate bottom.

Use heavy duty fiber belt for lifting the machine off the pallet.

**Caution:**

**The machine is heavy (340 kg)! Assure the sufficient load capacity and proper condition of your lifting devices.**

**Never step underneath suspended loads.**

Carefully place the machine onto the cabinet stand or a solid work bench.

Bolt together machine and cabinet stand or workbench.



**Fig 1**

Use a machinist's precision level to make sure that the machine table is level.

Loosen mounting bolts, shim and tighten mounting bolts if needed.

The machine must be level to be accurate.

**5.3 Mains connection**

Mains connection and any extension cords used must comply with applicable regulations.

The mains voltage must comply with the information on the machine licence plate.

The mains connection must have a 16 A surge-proof fuse.

Only use power cords marked H07RN- F  
Connections and repairs to the electrical equipment may only be carried out by qualified electricians.

Connection takes place on the appropriate terminal in the electrical cabinet on the left side of the machine.

**5.4 Initial lubrication**

The machine must be serviced at all lubrication points before it is placed into service!

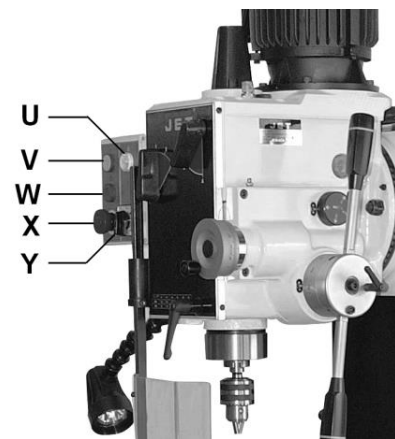
Failure to comply may cause serious damage.  
(see chapter 8 for lubrication)

**5.5 Starting operation**

Before starting the machine check the proper chucking (see chapter 6.2)

The power indication light (U) shows that the machine is connected to mains.

You can start the machine with the green ON-button (V).



**Fig 2**

The red OFF-button (W) on the control box stops the machine.

The emergency stop button (X) stops all machine functions.

**Attention:**

The machine still has electric power!

Turn emergency stop button clockwise to reset.

The Forward/Reverse switch (Y) may only be operated when motor power has been stopped before.

**WARNING:**

Do not change the spindle running direction while machine is running.

Improper operation may damage the Fw/Rev switch and gears.

**Warning:**

Setup work may only be carried out after the machine is protected against accidental starting.

With pressed emergency stop button.

Never place your fingers in a position where they could contact any rotating tool, chuck or cutting chips.

Remove cutting chips with the aid of an appropriate chip hook when the machine is at a standstill only.

Never stop the rotating chuck or tool with your hands.

Always close the chuck guard and pulley cover before you start the machine.

Secure work piece to the table with clamps or a vice to prevent rotating with the drill bit.

When using a vice, always fasten it to the table.

Check the safe clamping of the work piece, chuck and tools before starting the machine.

Never do any works "freehand" (hand- holding the work piece rather than supporting it on the table).

Support long work pieces with helping roller stands.

Always adjust the depth stop to prevent drilling into the table or into the workholding device.

Feed a drill bit into the material with only enough force to allow the drill bit to work. Feeding too slowly may cause burning of the work piece or tool. Feeding too quickly may cause the motor to stop and/or the drill bit to break.

Do not use wire wheels or grinding wheels on this machine.

**Never cut magnesium-  
high danger to fire!**

Measurements and adjustments may be carried out when the machine is at a standstill only.

In case of danger push the emergency stop button.

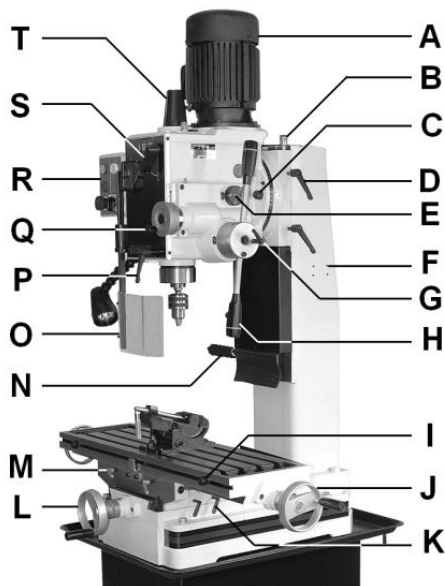


Fig 3

- A. Motor
- B. Z-axis ways reservoir oiler
- C. Head tilting lock nuts
- D. Z-axis slide lock
- E. Power feed selection knob
- F. Holes predrilled for digital display
- G. Drill depth stop adjustment knob
- H. Down feed handles (Power feed engagement)
- I. X-axis adjustable stops
- J. X-axis hand wheel
- K. Y-axis slide lock
- L. Y-axis hand wheel
- M. X-axis slide lock
- N. Z-axis crank
- O. Chuck guard
- P. Quill lock handle
- Q. Fine feed hand wheel
- R. Control box
- S. Speed select lever
- T. Draw bar cover

## 6. Machine operation

### 6.1 Controls

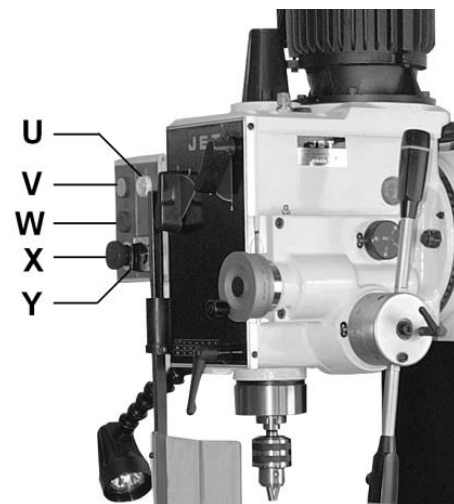


Fig 4

- U. Power indication light
- V. ON-button
- W. Stop button
- X. Emergency stop button
- Y. Fw/Rev switch

### 6.2 Spindle speeds selection

The correct spindle speed depends on the type of machining, the cutting diameter, the material to be machined and the cutting tool.

These are recommended max. speeds for a 10mm high speed steel (HSS) tool (e.g. drill bit).

Aluminium, brass	1500 RPM
Cast iron	1000 RPM
Mild steel	800 RPM
High carbon steel	600 RPM
Stainless steel	300 RPM

If a carbide (HM) tool is used about 5 times higher speeds can be chosen.

Generally speaking, the larger in relation the cutting diameter, the smaller the possible RPM.

For example:

Milling mild steel with an end mill of 20mm allows a speed of

400 RPM max. with HSS tool

2000 RPM max. with carbide tool

## 7. Setup and adjustments

### Warning:

**Setup and adjustment work may only be carried out after the machine is protected against accidental starting.**

**Press emergency stop button!**

### 7.1 Changing spindle speeds

Speeds may only be changed at complete spindle standstill.

### WARNING:

Changing speeds during spindle or motor rotation will damage the gears.

Refer to the speed chart whenever changing speeds.

### 7.2 Arbour replacement

Remove the draw bar cover (T, Fig 3).

Select the lowest spindle speed to keep the spindle from turning.

Loosen the drawbar with a wrench.

Loosen the drawbar 2 to max 3 full turns.

Tap the drawbar head with a rubber mallet to dislodge the tool taper.

### 7.3 Adjusting the Depth Stop

To drill multiple holes at the same preset depth, use the depth stop (G).

### 7.4 Engaging the Fine Feed Wheel

To activate the fine feed hand wheel, set the power feed selection knob (E) to "0"-position.

The dial can be set to zero on demand.

### 7.5 Engaging the power down feed

Loosen quill lock handle (P).

Adjust the drill depth stop (E).

### CAUTION:

Do not let feeding depth exceed spindle stroke.

Engage down feed by pushing out the down feed handles (H).

The spindle will feed down automatically until the drill depth stop has been reached.

The spindle will return to the top.

### 7.6 Tilting the gearhead

To tilt the gearhead the head tilting lock nuts (C, Fig 3) must be loosened.

The gearhead can be tilted 90° to the left and 30° to the right.

### 7.7 Return Spring Adjustment

The return spring is adjusted at the factory and should not need further adjustment. If adjustment is necessary:

Loosen knob (I, Fig. 5) approximately 6mm.

Do not remove the spring cover (H).

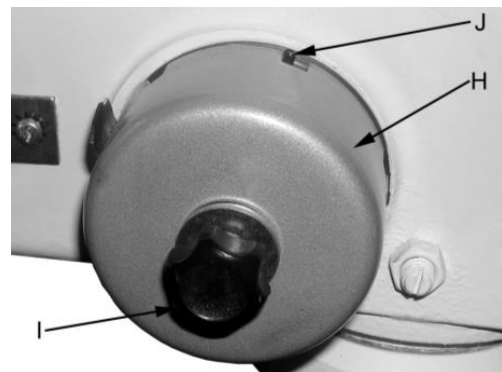


Fig 5

Firmly hold the spring cover (H).

Pull out the cover and rotate until the pin (J) on the return spring plate engages the next notch in the coil spring cover. Turn the cover clockwise to decrease tension and counter-clockwise to increase tension.

Tighten knob (I).

## 8. Maintenance and inspection

General notes:

Maintenance, cleaning and repair work may only be carried out after the machine is protected against accidental starting.

Push the emergency stop button and disconnect from the power source!

Clean the machine regularly.

Defective safety devices must be replaced immediately.

Repair and maintenance work on the electrical system may only be carried out by a qualified electrician.

### 8.1 Weekly Lubrication:

Weekly apply oil:

DIN 51502 CG ISO VG68

(e.g. BP Maccurat 68, Castrol Magna BD 68, Mobil Vectra 2)

#### - X-axis lead screw

Apply oil on entire length.

#### - Y-axis lead screw

Move the table forward and remove the way cover for access.

Apply oil on entire length.

#### - Z-axis lead screw

Move the head up and remove the way cover for access.

Apply oil on entire length.

### 8.2 Daily Lubrication:

Daily apply oil:

**CGLP DIN 51502 ISO VG68**

(e.g. BP Maccurat 68, Mobil Vectra 2)

#### - X/Y-axis hand wheels

Lubricate ball oilers.

#### - Z-axis crank handle

Lubricate ball oiler.

#### - X/Y-axis ways

Lubricate ways on entire length.

#### - Z-axis ways

Fill reservoir oiler.

#### - Spindle quill

Apply oil on entire length.

### 8.3 Annual Lubrication:

#### - Gearbox:

#### Change the hydraulic oil

**DIN 51517-2 CL ISO VG 68**

(e.g. BP Energol HLP68, Castrol Hyspin AWS 68, Mobil DTE Oil Heavy Medium)

Oil must be up to indicator mark in oil sight glass.

Fill oil by removing oil filler plug..

**Drain oil after first month of operation** by tilting the head 90° to the left and by removing drain plug.

Turn head upright and refill with oil.

Then change the oil in the gearbox annually (respectively every 700 operating hours).

### 8.4 Slide adjustments

X-axis, Y-axis and Z-axis slides are fitted with tapered gibs.

If adjustment is needed:

Tighten gib screw clockwise appr. a quarter turn.

Try and repeat until slide moves freely without play.

### 8.5 Lead screw nut adjustment

The table is fitted with an adjustable (slotted) lead screw nut.

Tighten adjusting screw on lead screw nut to reduce the backlash.

## 9. Trouble shooting

### Motor doesn't start

\*No electricity-  
check mains and fuse.

\*Defective switch, motor or  
cord- consult an electrician.

### Machine vibration

\*Stand on uneven floor-  
adjust stand for even  
support.

\*Tool deflection-  
reduce tool length.

\*Slide backlash-  
adjust slide gibs.

\*Slides running dry-  
lubricate with oil.

\*Dry spindle quill-  
lubricate spindle quill.

\*Dull tool tip-  
resharpen or change tool.



\*Chip load too high-  
reduce depth of cut or feed-

\*Table lead screw nut has play-  
tighten adjusting screw.

#### **Tool tip burns**

\*Cutting speed too  
high- reduce spindle  
speed.

\*Dull tool tip- sharpen  
tool tip.

#### **Drill leads off**

\*cutting lips or angle not  
equal- sharpen drill bit  
correctly.

\*drilled hole off centre-  
drill a pilot hole first.

\*bent drill bit-  
use a proper drill bit.

\*drill bit not properly installed-  
install drill bit correctly.

### **10. Available accessories**

Refer to the Pricelist for various accessories.

## DE - DEUTSCH

### GEBRAUCHSANLEITUNG

Sehr geehrter Kunde,

vielen Dank für das Vertrauen, welches Sie uns beim Kauf Ihrer neuen Maschine entgegengebracht haben. Diese Anleitung ist für den Inhaber und die Bediener zum Zweck einer sicheren Inbetriebnahme, Bedienung und Wartung des Fräs- und Bohrzentrums JMD-45PFD-T erstellt worden. Beachten Sie bitte die Informationen dieser Gebrauchsanleitung und der beiliegenden Dokumente. Lesen Sie diese Anleitung vollständig, insbesondere die Sicherheitshinweise, bevor Sie die Maschine zusammenbauen, in Betrieb nehmen oder warten. Um eine maximale Lebensdauer und Leistungsfähigkeit Ihrer Maschine zu erreichen befolgen Sie bitte sorgfältig die Anweisungen.

#### Inhaltsverzeichnis

#### 1. Konformitätserklärung

#### 2. Garantieleistungen

#### 3. Sicherheit

Bestimmungsgemäße

Verwendung

Allgemeine Sicherheitshinweise

Restrisiken

#### 4. Maschinenspezifikation

Technische Daten

Schallemission

Lieferumfang

Maschinenbeschreibung

#### 5. Transport und Inbetriebnahme

Transport und Aufstellung

Montage

Elektrischer Anschluss

Erstschmierung

Inbetriebnahme

#### 6. Betrieb der Maschine

Wahl der Spindeldrehzahl

#### 7. Rüst- und Einstellarbeiten

Drehzahlwechsel

Fräsdorn Wechsel

Bohrtiefenanschlag Einstellung

Pinolen Feinzustellung

Automatischer Pinolenvorschub

Fräskopfschwenkung

Rückholfeder Einstellung

#### 8. Wartung und Inspektion

Wöchentliche Schmierung

Tägliche Schmierung

Jährliche Schmierung

Schlittenführung Nachstellung

Spindelmutter Nachstellung

#### 9. Störungsabhilfe

#### 10. Lieferbares Zubehör

#### 1. Konformitätserklärung

Wir erklären in alleiniger Verantwortlichkeit, dass dieses Produkt mit den auf Seite 2 angegebenen Richtlinien\* übereinstimmt.

Bei der Konstruktion wurden folgende Normen\*\* berücksichtigt.

#### 2. Garantieleistungen

TOOL FRANCE garantiert, dass das/die von ihr gelieferte/n Produkt/e frei von Material- und Herstellungsfehlern ist.

Diese Garantie deckt keinerlei Mängel, Schäden und Fehler ab, die - direkt oder indirekt - durch falsche oder nicht sachgemäße Verwendung, Fahrlässigkeit, Unfallschäden, Reparaturen oder unzureichende Wartungs- oder Reinigungsarbeiten sowie durch natürliche Abnutzung durch den Gebrauch verursacht werden.

Weitere Einzelheiten zur Garantie können den allgemeinen Geschäftsbedingungen (AGB) entnommen werden.

Diese können Ihnen auf Wunsch per Post oder Mail zugesendet werden.

TOOL FRANCE behält sich das Recht vor, jederzeit Änderungen am Produkt und am Zubehör vorzunehmen.

#### 3. Sicherheit

##### 3.1 Bestimmungsgemäße Verwendung

Dieses Fräs- und Bohrzentrum ist ausschließlich zum Fräsen und Bohren von zerspanbaren Kunststoffen und Metallen geeignet. Die Bearbeitung anderer Werkstoffe ist nicht zulässig bzw. darf in Sonderfällen nur nach Rücksprache mit dem Maschinenhersteller erfolgen.

**Niemals Magnesium zerspanen- Hohe Feuergefahr!**

Die bestimmungsgemäße Verwendung beinhaltet auch die Einhaltung der vom Hersteller angegebenen Betriebs- und Wartungsanweisungen.

Die Maschine darf ausschließlich von Personen bedient werden, die mit Betrieb und Wartung vertraut und über die Gefahren unterrichtet sind.

Das gesetzliche Mindestalter ist einzuhalten.

Die Maschine darf nur in technisch einwandfreiem Zustand betrieben werden.

Beim Arbeiten an der Maschine müssen alle Sicherheitseinrichtungen und Abdeckungen vorhanden sein Neben den in der Gebrauchsanleitung enthaltenen Sicherheitshinweisen und den besonderen Vorschriften Ihres Landes sind die für den Betrieb von Metallbearbeitungsmaschinen allgemein anerkannten fachtechnischen Regeln zu beachten.

Jeder darüber hinaus gehende Gebrauch gilt als nicht bestimmungsgemäß und für daraus resultierende Schäden haftet der Hersteller nicht. Das Risiko trägt allein der Benutzer.

### 3.2 Allgemeine Sicherheitshinweise

Metallbearbeitungsmaschinen können bei unsachgemäßem Gebrauch gefährlich sein. Deshalb ist zum sicheren Betreiben die Beachtung der zutreffenden Unfallverhütungs- Vorschriften und der nachfolgenden Hinweise erforderlich.

Lesen und verstehen Sie die komplette Gebrauchsanleitung bevor Sie mit Montage oder Betrieb der Maschine beginnen.

Bewahren Sie die Bedienungsanleitung, geschützt vor Schmutz und Feuchtigkeit, bei der Maschine auf, und geben Sie sie an einen neuen Eigentümer weiter.

An der Maschine dürfen keine Veränderungen, An- und Umbauten vorgenommen werden.

Überprüfen Sie täglich vor dem Einschalten der Maschine die einwandfreie Funktion und das Vorhandensein der erforderlichen Schutzeinrichtungen.

Festgestellte Mängel an der Maschine oder den Sicherheitseinrichtungen sind zu melden und von den beauftragten Personen zu beheben.

Nehmen Sie die Maschine in solchen Fällen nicht in Betrieb, sichern Sie die Maschine gegen Einschalten durch Ziehen des Netzsteckers.

Zum Schutz von langem Kopfhaar Mütze oder Haarnetz aufsetzen.

Enganliegende Kleidung tragen, Schmuck, Ringe und Armbanduhren ablegen.

Tragen Sie Schutzschuhe, keinesfalls Freizeitschuhe oder Sandalen.

Verwenden Sie die durch Vorschriften geforderte persönliche Schutzausrüstung.

Beim Arbeiten an der Maschine keine Handschuhe tragen.

Beim Arbeiten Schutzbrille tragen.

Die Maschine so aufstellen, dass genügend Platz zum Bedienen und zum Führen der Werkstücke gegeben ist.

Sorgen Sie für gute Beleuchtung.

Die Maschine muss auf dem Unterschrank oder auf einer belastbaren Werkbank festgeschraubt werden.

Sichern Sie die Maschine gegen Umfallen.

Beachten Sie dass die elektrische Zuleitung nicht den Arbeitsablauf behindert und nicht zur Stolperstelle wird.

Den Arbeitsplatz frei von behindernden Werkstücken, etc. halten.

Seien Sie aufmerksam und konzentriert. Gehen Sie mit Vernunft an die Arbeit.

Arbeiten Sie niemals unter dem Einfluss von Rauschmitteln wie Alkohol und Drogen an der Maschine. Beachten Sie, dass auch Medikamente Einfluss auf Ihr Verhalten nehmen können.

Niemals in die laufende Maschine greifen.

Die laufende Maschine nie unbeaufsichtigt lassen.

Vor dem Verlassen des Arbeitsplatzes die Maschine ausschalten.

Halten Sie Unbeteiligte, insbesondere Kinder vom Gefahrenbereich fern.

Benützen Sie die Maschine nicht in der Nähe von brennbaren Flüssigkeiten oder Gasen.

Beachten Sie die Brandmelde- und Brandbekämpfungsmöglichkeiten z.B. Standort und Bedienung von Feuerlöschern.

Benützen Sie die Maschine nicht in feuchter Umgebung und setzen Sie sie nicht dem Regen aus.

Nur mit gut geschärften Werkzeugen arbeiten.

Arbeiten Sie nie bei geöffnetem Bohrfutterschutz oder Riemenschutz.

Entfernen Sie vor dem Start den Bohrfutterschlüssel und andere Werkzeuge.

Angaben über die min. und max. Werkstückabmessungen müssen eingehalten werden.

Späne und Werkstückteile nur bei stehender Maschine entfernen.

Nicht auf der Maschine stehen.

Arbeiten an der elektrischen Ausrüstung der Maschine dürfen nur durch eine Elektrofachkraft vorgenommen werden.

Tauschen Sie ein beschädigtes Netzkabel sofort aus. Halten Sie mit ihren Fingern ausreichend Abstand zum rotierenden Werkzeug und Spänen.

Sichern Sie das Werkstück gegen Mitdrehen.

Verwenden Sie Spannpratzen, einen Schraubstock oder eine Hilfsvorrichtung um das Werkstück zu fixieren.

Halten Sie das Werkstück niemals mit den Händen allein.

Den Schraubstock immer am Tisch festschrauben.

Arbeiten Sie niemals freihändig (frei gehaltenes Werkstück ohne Abstützung).

Den Fräskopf nur bei Maschinenstillstand verstellen.

Falls die Schwerpunktage des Werkstückes außerhalb des Tisches liegt klemmen Sie es am Tisch fest oder stützen Sie es mit einem Rollbock ab.

Kontrollieren Sie vor der Bearbeitung ob das Werkstück sicher eingespannt ist.

Späne nur bei Maschinenstillstand und mit Hilfe eines geeigneten Spänehakens entfernen.

Das Spannfutter oder Werkzeug nicht mit der Hand abbremsen.

Führen Sie Mess- und Einstellarbeiten nur bei Maschinenstillstand durch.

Umrüst- und Einstellarbeiten nur im Maschinenstillstand und bei gedrücktem Not-Aus Taster vornehmen.

Wartungs- und Reparaturarbeiten nur bei gezogenem Netzstecker vornehmen.

Verwenden Sie keine Drahtbürstwerkzeuge oder Schleifwerkzeuge auf dieser Maschine.

Achtung vor wegfliegenden Teilen bei der Rückholfeder Einstellung. Befolgen Sie genau die Anweisungen in Kapitel 7.5.

### 3.3 Restrisiken

Auch bei vorschriftsmäßiger Benutzung der Maschine bestehen die nachfolgend aufgeführten Restrisiken.

Verletzungsgefahr durch das rotierende Werkzeug und Spannfutter.

Gefährdung durch wegfliegende und heiße Werkstücke und Späne.

Gefährdung durch Lärm und Späne. Unbedingt persönliche Schutzausrüstungen wie Augen-, Gehör- und Staubschutz tragen.

Gefährdung durch Strom, bei nicht ordnungsgemäßer Verkabelung.

## 4. Maschinenspezifikation

### 4.1 Technische Daten

Bohrkapazität	32mm
Gewindekapazität	M20
Fräskapazität Messerkopf	100mm
Fräskapazität Schaftfräser	20mm
Ausladung	250mm
Abstand Spindel/ Tisch max	max 460mm
Spindelaufnahme	ISO 30(DIN 2080)
Anzugstange	M12
Spindelhub manuell	107mm
Fräskopfschwenkung	90°L /30°R
Spindeldrehzahlen	12 50-2500U/min
Tischhub X-Achse	520mm
Tischhub Y-Achse	210mm
Automatischer Pinolenvorschub	0,12/ 0,18/ 0,25mm/U
Tischgröße	240 x 825mm
T-Nuten 4	16mm
Maschinenabmessungen (L x B x H )	1080 x 1010 x 1300mm
Maschinengewicht	340 kg
Netzanschluss	400V ~3L/PE 50Hz
Abgabeleistung	1,1 kW (1,5 PS) S1
Betriebsstrom	3 A
Anschlussleitung (H07RN-F)	4x1,5mm <sup>2</sup>
Bauseitige Absicherung	16A

### 4.2 Schallemission

Schalldruckpegel( nach EN 11202):  
Leerlauf Maximaldrehzahl 76,9 dB(A)

Die angegebenen Werte sind Emissionspegel und sind nicht notwendigerweise Pegel für sicheres Arbeiten.

Sie sollen dem Anwender eine Abschätzung der Gefährdung und des Risikos ermöglichen.

### 4.3 Lieferumfang

Schraubstock 85mm, schwenkbar  
13mm Bohrfutter mit Dorn ISO-30 HM  
Planfräser Durchm. 75mm  
Anzugstange M12  
3 Stück Vorschubhebel  
Fräskopf Höhenstellkurbel  
3 Tisch Handräder  
Bedienwerkzeug Gebrauchsanleitung  
Ersatzteilliste

#### 4.4 Maschinenbeschreibung

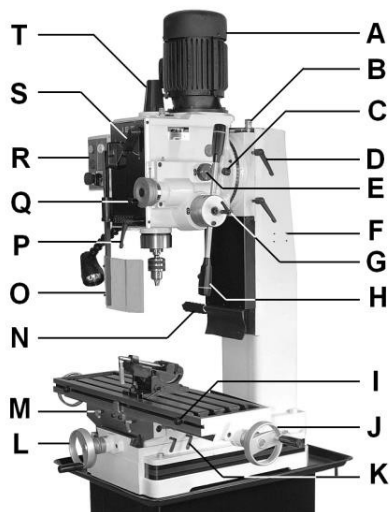


Fig 1

- A. Motor
- B. Z-Achse Schlittenöler
- C. Fräskopf Schwenkklemmung
- D. Z-Achse Schlittenklemmung
- E. Vorschubwahlschalter
- F. Gewindelöcher für Anbau einer Digitalanzeige
- G. Bohrtiefen Einstellung
- H. Bohrvorschub Handgriffe (Vorschub Ein/Aus)
- I. X-Achse einstellbare Anschläge
- J. X-Achse Handrad
- K. Y-Achse Schlittenklemmung
- L. Y-Achse Handrad
- M. X-Achse Schlittenklemmung
- N. Z-Achse Höhenverstellkurbel
- O. Bohrfutterschutz
- P. Pinolenklemmung
- Q. Pinolenfeinzustell-Handrad
- R. Steuerkasten
- S. Drehzahl Wahlschalter
- T. Abdeckung für Anzugstange

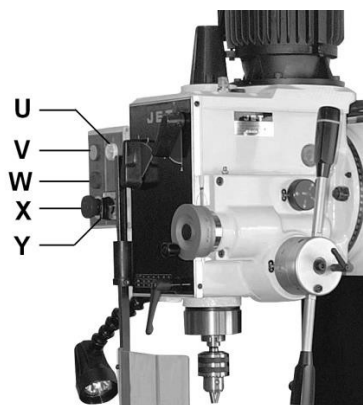


Fig 2

- U. Netzanschlussleuchte
- V. Ein-Taster
- W. Aus-Taster
- X. Not-Aus Taster
- Y. Drehrichtungs Wahlschalter

#### 5. Transport und Inbetriebnahme

##### 5.1. anspport und Aufstellung

Die Maschine wird geschlossen auf Palette geliefert.

Zum Transport verwenden Sie einen handelsüblichen Stapler oder Hubwagen. Sichern Sie die Maschine beim Transport gegen Umfallen.

Die Aufstellung der Maschine sollte in geschlossenen Räumen erfolgen, werkstattübliche Bedingungen sind dabei ausreichend.

Die Maschine muss auf dem Unterschrank oder auf einer belastbaren Werkbank festgeschraubt werden.

##### **Sichern Sie die Maschine gegen Umfallen!**

Aus verpackungstechnischen Gründen ist die Maschine nicht komplett montiert.

##### 5.2 Montage

Wenn Sie beim Auspacken einen Transportschaden feststellen, benachrichtigen Sie umgehend Ihren Händler, nehmen Sie das Gerät nicht in Betrieb.

Entsorgen Sie die Verpackung bitte umweltgerecht.

Entfernen Sie das Rostschutzfett mit einem milden Lösungsmittel.

Montieren Sie die 3 Vorschub- Handgriffe (H) auf die Griffstangen und gemeinsam auf die Nabe.

Die Z-Achse Höhenkurbel (N) auf den Kurbelzapfen aufstecken und mit Gewindestift klemmen.

Den Kurbelgriff montieren.

Die Handräder (J, L) auf die Tischspindeln aufstecken und mit Gewindestiften klemmen.

Die Kurbelgriffe montieren.

##### **Montage der Maschine auf den Unterschrank oder auf eine belastbare Werkbank**

Schrauben Sie die Maschine von der Palette ab.

Verwenden Sie Hebegurte um die Maschine von der Palette zu heben.

##### **Achtung:**

**Die Maschine ist schwer (340kg)! Achten Sie auf ausreichende Tragfähigkeit und einwandfreien Zustand der Hebezeuge.**

**Treten Sie niemals unter schwebende Lasten.**

Setzen Sie die Maschine vorsichtig auf den Unterschrank oder die Werkbank.

Schrauben Sie die Maschine auf dem Unterschrank bzw. auf der Werkbank fest.

##### **Sichern Sie die Maschine gegen Umfallen!**



Fig 3

Verwenden Sie eine Wasserwaage um das Maschinenbett eben auszurichten.

Montageschrauben lösen oder festziehen, bei Bedarf unterlegen.

Die Maschinengenauigkeit ist nur bei ebenem Maschinentisch gegeben.

### 5.3 Elektrischer Anschluss

Der kundenseitige Netzanschluss sowie die verwendeten Verlängerungsleitungen müssen den Vorschriften entsprechen. Die Netzspannung und Frequenz müssen mit den Leistungsschilddaten an der Maschine übereinstimmen.

Die bauliche Absicherung muss dabei 16A betragen.

Verwenden Sie nur Anschlussleitungen mit Kennzeichnung H07RN-F

Anschlüsse und Reparaturen der elektrischen Ausrüstung dürfen nur von einer Elektrofachkraft durchgeführt werden.

Der Elektroanschluss erfolgt an der Klemmenleiste im Schaltschrank.

### 5.4 Erstschnierung

Vor der Inbetriebnahme der Maschine sind alle Schmierstellen zu versorgen.

Bei Nichtbeachtung sind erhebliche Schäden möglich!

(Siehe Schmierung, Kapitel 8 )

### 5.5 Inbetriebnahme

**Prüfen Sie vor dem Starten der Maschine die korrekte Werkzeugaufspannung (Kapitel 7.2).**

Die Netzanschlussleuchte (U) leuchtet wenn die Maschinenelektrik unter Spannung ist.

Mit dem grünen EIN-Taster (V) kann die Maschine gestartet werden.

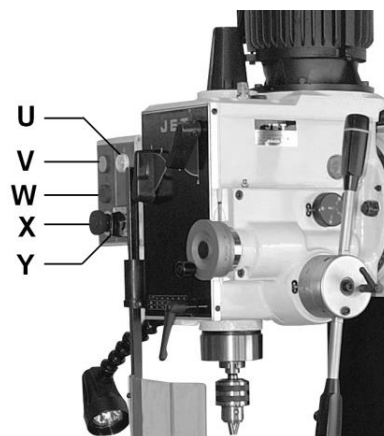


Fig 4

Der rote AUS-Taster (W) am Steuerkasten stoppt die Maschine.

Der Not-Aus Taster (C) stoppt alle Maschinenfunktionen.

#### **Achtung:**

Die Maschine bleibt unter Spannung.

Entriegeln Sie den Not-Aus Taster durch Drehung im Uhrzeigersinn.

Der Drehrichtungs-Wahlschalter (Y) darf nur bei Maschinenstillstand betätigt werden.

#### **ACHTUNG:**

**Die Spindeldrehrichtung nicht während des Laufs wechseln.**

Fehlbedienung kann zu Schalter und Getriebebeschaden führen.

## 6. Betrieb der Maschine

#### **Achtung:**

**Vor Rüst- und Einstellarbeiten muss die Maschine gegen Inbetriebnahme gesichert werden.**

**Netzstecker ziehen und die Not- Aus Taste drücken!**

Halten Sie mit ihren Fingern ausreichend Abstand zum rotierenden Werkzeug, Spannfutter und zu Spänen.

Späne nur mit Hilfe eines geeigneten Spänehakens bei ausgeschalteter Maschine entfernen.

Das Spannfutter oder Werkzeug nicht mit der Hand abbremsen.

Arbeiten Sie nie bei geöffnetem Bohrfutterschutz.

Sichern Sie das Werkstück gegen Mitnahme durch den Bohrer. Klemmen Sie das Werkstück am Tisch fest oder setzen Sie einen Schraubstock ein.

Den Schraubstock immer am Tisch festschrauben.

Kontrollieren Sie vor der Bearbeitung ob das Werkstück und das Werkzeug sicher eingespannt sind.

Arbeiten Sie niemals freihändig (frei gehaltenes Werkstück ohne Abstützung).

Lange Werkstücke durch Rollenböcke abstützen.

Stellen Sie den Bohrtiefenanschlag so ein dass Sie nicht in den Tisch oder in das Spannmittel bohren.

Wählen Sie die Bohrvorschubkraft so dass der Bohrer zügig bohrt.

Ein zu geringer Bohrvorschub führt zu vorzeitigem Bohrerverschleiß und Brandstellen am Werkstück oder Werkzeug, ein zu hoher Bohrvorschub kann den Motor stoppen oder den Bohrer brechen.

Verwenden Sie keine Drahtbürstwerkzeuge oder Schleifwerkzeuge auf dieser Maschine.

Niemals Magnesium zerspanen- Hohe Feuergefahr!

Führen Sie Mess- und Einstellarbeiten nur bei Maschinenstillstand durch.

**Bei Gefahr die Not-Aus Taste drücken.**

### 6.1 Wahl der Spindeldrehzahl

Die richtige Spindeldrehzahl hängt von der Art der Bearbeitung, dem Werkstückmaterial sowie von Werkzeugdurchmesser und -material ab.

Die Drehzahlempfehlungen gelten für einen Werkzeugdurchmesser von 10mm und eine Zerspanung mit einem Schnellarbeitsstahl (HSS) Werkzeug (z.B. Spiralbohrer).

Aluminium, Messing 1500 U/min

Grauguss: 1000 U/min

Stahl (C15): 800 U/min

Stahl (C45): 600 U/min

Rostfreier Stahl: 300 U/min

Bei Verwendung eines Hartmetall (HM) Werkzeugs ist die ca. 5.fache Drehzahl zulässig.

Allgemein ausgedrückt:

Im Verhältnis je größer der Drehdurchmesser, desto niedriger die mögliche Drehzahl.

#### Zum Beispiel:

Stahl (C15) mit 20mm Durchmesser erlaubt eine Drehzahl von

400 U/min mit HSS Werkzeug

2000 U/min mit HM Werkzeug

## 7. Rüst- und Einstellarbeiten

### Allgemeine Hinweise:

**Vor Rüst- und Einstellarbeiten muss die Maschine gegen Inbetriebnahme gesichert werden. Netzstecker ziehen und die Not- Aus Taste drücken!**

### 7.1 Drehzahlwechsel

Die Drehzahl Wahlschalter (S, Fig 1) dürfen nur bei Maschinenstillstand betätigt werden.

#### ACHTUNG:

**Die Spindeldrehzahl nicht während des Spindellaufs wechseln.**

Fehlbedienung kann zu Schalter und Getriebeschaden führen.

Wechseln Sie die Schalter und Hebelstellung entsprechend des Drehzahl-Schaubildes.

### 7.2 Fräsdornwechsel

Entfernen Sie die Abdeckung der Anzugstange (T, Fig 1).

Die Drehzahl-Wahlhebel auf langsamste Stufe stellen um Spindel zu stoppen.

Lösen Sie die Anzugstange.

Schrauben Sie die Anzugstange 2 bis maximal 3 Umdrehung heraus.

Mit einem kräftigen Schlag auf die Anzugstange mittels Gummihammer lösen Sie den Fräsdorn aus der Spindelaufnahme.

### 7.3 Bohrtiefenanschlag Einstellung

Zum Bohren mehrerer Löcher in gleicher Bohrtiefe verwenden Sie den Bohrtiefenanschlag.

### 7.4 Pinolen Feinzustellung

Zur Verwendung der Pinolen- Feinzustellung stellen Sie den Vorschubwahlschalter (E, Fig 1) in die „0“- Stellung.

Stellen Sie die Handrad-Skala je nach Bedarf auf Null.

### 7.5 Autom. Pinolenvorschub

Lösen Sie die Pinolenklemmung (P).

Stellen Sie am Bohrtiefenanschlag (E) die gewünschte Tiefe ein.

#### ACHTUNG:

Nicht über den max. Pinolenhub bohren.

Aktivieren Sie den automatischen Pinolenvorschub indem Sie die Vorschubhebel (H) nach Außen drücken.

Der Pinolenvorschub erfolgt bis der Bohrtiefenanschlag erreicht ist.

Die Pinole fährt durch Federkraft zurück.

## 7.6 Fräskopf Schwenkung

Zum Schwenken des Fräskopfes lösen Sie die Muttern (C, Fig 3).

Der Fräskopf kann 90° nach Links und 30° nach Rechts geschwenkt werden.

## 7.7 Rückholfeder Einstellung

Die Pinolen-Rückholfeder ist werksseitig eingestellt.

Sollte eine Verstellung erforderlich sein so gehen Sie bitte wie folgt vor.

Lösen Sie den Griff (I, Fig. 5) um ca. 6mm.

**Die Federabdeckung (H) nicht entfernen.**

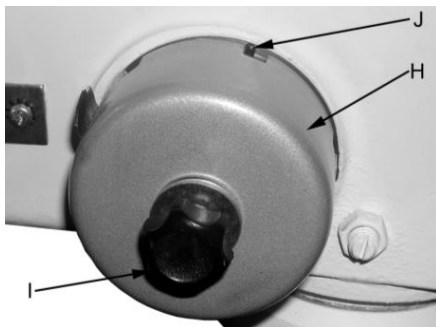


Fig 5

Halten Sie die Federabdeckung (H) gut fest.

Um z. B. die Federkraft zu erhöhen ziehen Sie die Federabdeckung vorsichtig weg und drehen Sie sie gegen den Uhrzeigersinn bis die Mitnahme (J) wieder einrastet.

Ziehen Sie den Griff (I) wieder fest.

## 8. Wartung und Inspektion

### Allgemeine Hinweise

**Vor Wartungs- Reinigungs- und Reparaturarbeiten muss die Maschine gegen Inbetriebnahme gesichert werden.**

**Drücken Sie die Not-Aus Taste, Netzstecker ziehen!**

Reinigen Sie die Maschine in regelmäßigen Zeitabständen.

Beschädigte Sicherheitseinrichtungen sofort ersetzen.

Anschlüsse und Reparaturen der elektrischen Ausrüstung dürfen nur von einer Elektrofachkraft durchgeführt werden.

### 8.1 Schmierung wöchentlich:

#### Wöchentlich ölen:

#### DIN 51502 CG ISO VG 68

(z.B. BP Maccurat 68, Castrol Magna BD 68, Mobil Vectra 2)

#### - X- Vorschubspindel

Auf ganzer Länge ölen.

#### - Y-Vorschubspindel

Bringen Sie den Tisch in seine vordere Endlage und entfernen Sie die Führungsbahnabdeckung. Spindel auf ganzer Länge ölen.

#### - Z-Vorschubspindel

Bringen Sie den Fräskopf in seine obere Endlage und entfernen Sie die Führungsbahnabdeckung. Spindel auf ganzer Länge ölen.

### 8.2 Schmierung täglich:

#### Täglich ölen:

#### DIN 51502 CG ISO VG 68

(z.B. BP Maccurat 68, Castrol Magna BD 68, Mobil Vectra 2)

#### - X/Y-Handräder

Ölen der Schmiernippel.

#### - Z-Achse Höhenverstell-Kurbel

Ölen des Schmiernippels

- X/Y-Schlittenführungen

Auf ganzer Länge ölen.

#### - Z-Achse Schlittenführung Füllen Sie den Schlittenöler.

#### - Spindelpinole

Auf ganzer Länge ölen.

### 8.3 Schmierung jährlich

#### - Fräskopfgetriebe:

#### Wechsel des Schmieröls

#### DIN 51517-2 CL ISO VG 68

(z.B. BP Energol HLP68, Castrol Hyspin AWS 68, Mobil DTE Oil Heavy Medium )

Der Ölstand muss bis zur Markierung der Ölstandsanzeige reichen.

Die Nachfüllung erfolgt von oben an der Öl-Nachfüllschraube.

#### Wechseln Sie das Öl nach dem ersten Betriebsmonat.

Schwenken Sie den Kopf 90° nach Links und entfernen Sie die Verschluss-Schraube.

Getriebe völlig entleeren.

Schwenken Sie den Kopf senkrecht und füllen Sie mit neuem Öl auf.

Von nun an wechseln Sie das Öl jährlich (bzw. alle 700 Betriebsstunden).



#### 8.4 Schlittenführung Nachstellung

Die X/Y/Z- Schlittenführungen sind mit nachstellbaren Keilleisten ausgestattet.

Sollte Nachstellung erforderlich sein: Stellen Sie die Stellschraube ca. ¼ Umdrehung nach.

Prüfen Sie das Schlittenspiel und wiederholen Sie nach Bedarf.

#### 8.5 Spindelmutter Nachstellung

Die Tisch-Vorschubspindel ist mit einer nachstellbaren (geschlitzten) Mutter ausgestattet. Ziehen Sie die auf der Mutter befindliche Schraube fest um das Mutternumkehrspiel zu reduzieren.

### 9. Störungsabhilfe

#### Motor startet nicht

\*Kein Strom-  
Netzsicherung prüfen.

\*Motor, Schalter oder Kabel  
defekt-Elektrofachkraft  
kontaktieren.

#### Maschine vibriert

\*Werkzeug instabil gespannt-  
Werkzeuglänge reduzieren.

\*Maschine steht uneben-Ausgleich  
schaffen.

\*Schlitten haben Führungsspiel-  
Führungsleisten einstellen.

\*Schlittenführungen laufen  
trocken-Führungen ölen.

\*Spindelpinole ist trocken-  
Spindelpinole fetten.

\*Werkzeugschneide stumpf-  
Werkzeug schärfen oder tauschen.

\*Schnittdruck zu hoch-  
Spantiefe oder Vorschub  
reduzieren.

\*Vorschubspindel hat  
Umkehrspiel-Spindelmutter  
nachstellen.

#### Werkzeug glüht aus

\*Schnittgeschwindigkeit zu  
hoch-Drehzahl reduzieren.

\*Werkzeugschneide  
verschlissen-Werkzeug schärfen.

#### Bohrloch verläuft

\*Bohrer asymmetrisch  
geschliffen-Bohrer korrekt  
schärfen

\*Bohrlochanfang versetzt-  
Zentrierbohrer einsetzen.

\*Bohrer verbogen-  
Neuen Bohrer einsetzen.

\*Bohrer nicht korrekt gespannt-  
Bohrer erneut einspannen.

### 10. Lieferbares Zubehör

Siehe die Preisliste.

## FR - FRANCAIS

### MODE D'EMPLOI

Cher client,

Nous vous remercions de la confiance que vous nous portez avec l'achat de votre nouvelle machine. Ce manuel a été préparé pour l'opérateur de la perceuse fraiseuse JMD-45PFD-T. Son but, mis à part le fonctionnement de la machine, est de contribuer à la sécurité par l'application des procédés corrects d'utilisation et de maintenance. Avant de mettre l'appareil en marche, lire les consignes de sécurité et de maintenance dans leur intégralité. Pour obtenir une longévité et fiabilité maximales, et pour contribuer à l'usage sûr de la machine, veuillez lire attentivement ce mode d'emploi et suivre les instructions.

#### Table des Matières

##### 1. Déclaration de conformité

##### 2. Garantie

##### 3. Sécurité

Utilisation conforme  
Consignes de sécurité  
Risques

##### 4. Spécifications

Données techniques  
Emission de bruit  
Contenu de la livraison  
Description de la machine

##### 5. Transport et mise en exploitation

Transport et installation  
Montage  
Raccordement au réseau électr.  
Premier graissage  
Mise en exploitation

##### 6. Fonctionnement de la machine

Choix de la vitesse de forage

##### 7. Changement d'outils et réglages

Changement de vitesse  
Changement du mandrin de fraisage  
Réglage de la butée de profondeur de fraisage  
Mouvement lent de la douille  
Entraînement automatique broche  
Pivotement tête de fraisage  
Réglage du ressort de rappel

##### 8. Entretien et inspection

Graissage hebdomadaire  
Graissage quotidien  
Graissage annuel  
Ajustage course du chariot  
Ajustage écrou de broche

##### 9. Détecteur de pannes

##### 10. Accessoires

#### 1. Déclaration de conformité

Par le présent et sous notre responsabilité exclusive, nous déclarons que ce produit satisfait aux normes conformément aux lignes directrices indiquées page 2.

Lors de la construction, les normes\*\*suivantes ont été respectées.

#### 2. Garantie du groupe

TOOL FRANCE garantit que le/les produit(s) fourni(s) est/sont exempt(s) de défauts matériels et de défauts de fabrication.

Cette garantie ne couvre pas les défauts, dommages et défaillances causés, directement ou indirectement, par l'utilisation incorrecte ou inadéquate, la négligence, les dommages accidentels, la réparation, la maintenance ou le nettoyage incorrects et l'usure normale.

Vous pouvez trouver de plus amples détails sur la garantie dans les conditions générales (CG).

Les CG peuvent être envoyées sur demande par poste ou par e-mail .

TOOL FRANCE se réserve le droit d'effectuer des changements sur le produit et les accessoires à tout moment.

#### 3. Sécurité

##### 3.1 Utilisation conforme

Cette perceuse fraiseuse convient au travail des matières synthétiques et des métaux usinables. Le travail d'autres matériaux est interdit et ne peut être effectué que dans des cas spéciaux et après accord du fabricant de la machine.

**Ne jamais usiner du Magnésium** Dangers d'incendies. L'utilisation conforme implique le strict respect des instructions de service et de maintenance indiquées dans ce manuel.

La machine doit être exclusivement utilisée par des personnes familiarisées avec le fonctionnement, la maintenance et la remise en état, et qui sont informées des dangers correspondants.  
L'âge minimum requis par la loi est à respecter.

La machine ne doit être utilisée que si elle est en parfait état.

N'utiliser la machine que si tous les dispositifs de sécurité et de protection sont en place.

En plus des directives de sécurité contenues dans ce mode d'emploi et des consignes de sécurité en vigueur dans votre pays, il faut respecter les règles générales concernant l'utilisation des machines pour le travail des métaux.

Toute utilisation sortant de ce cadre est considérée comme non-conforme et le fabricant décline toute responsabilité, qui est dans ce cas rejetée exclusivement sur l'utilisateur.

### 3.2 Consignes de sécurité

L'utilisation non-conforme d'une machine pour le travail des métaux peut être très dangereuse. C'est pourquoi vous devez respecter scrupuleusement les consignes de lutte contre les accidents et les instructions suivantes.

Lire attentivement et comprendre ce mode d'emploi avant de monter ou d'utiliser votre appareil.

Conserver à proximité de la machine tous les documents fournis avec l'outillage (dans une pochette en plastique, à l'abri de la poussière, de l'huile et de l'humidité) et veiller à joindre cette documentation si vous cédez l'appareil.

Ne pas effectuer de modifications à la machine.

Utiliser les accessoires recommandés, des accessoires incorrects peuvent être dangereux.

Contrôler chaque jour, avant d'utiliser la machine, les dispositifs de protection et le fonctionnement impeccable.

En cas de défauts à la machine ou aux dispositifs de protection avertir les personnes compétentes et ne pas utiliser la machine. Déconnecter la machine du réseau.

Avant de mettre la machine en marche, retirer cravate, bagues, montre ou autres bijoux et retrousser les manches jusqu'aux coudes. Enlever tous vêtements flottants et nouer les cheveux longs.

Porter des chaussures de sécurité, surtout pas de tenue de loisirs ou de sandales.

Porter équipement de sécurité personnel pour travailler à la machine.

Ne pas porter de gants pendant l'usinage.

Porter des lunettes de protection pendant le travail.

Placer la machine de sorte à laisser un espace suffisant pour la manœuvre et le guidage des pièces à usiner.

Veiller à un éclairage suffisant.

La machine doit être vissée sur le socle ou sur un établi solide.

Assurer la machine pour qu'elle ne tombe pas.

S'assurer que le câble d'alimentation ne gêne pas le travail ni ne risque de faire trébucher l'opérateur.

Retirer toute pièce encombrante de la zone de travail.

Rester vigilant et concentré et travailler avec bon-sens.

Ne pas travailler sous l'influence de drogues, d'alcool ou de médicaments.

Ne jamais mettre la main dans la machine en marche.

Ne jamais laisser la machine en marche sans surveillance.

Arrêter la machine avant de quitter la zone de travail.

Eloigner de la machine toutes personnes incompetentes surtout les enfants.

Ne pas mettre la machine à proximité de liquides ou de gaz inflammables, respecter les consignes de lutte contre les incendies, par ex le lieu et l'utilisation des extincteurs.

Préserver la machine de l'humidité et ne jamais l'exposer à la pluie.

N'utiliser que des outils bien affûtés.

Ne jamais travailler avec les protections de mandrin ou de courroie ouvertes.

Avant de débiter l'usinage, retirer la clé de montage de mandrin et autres outils.

Se tenir aux spécifications concernant la dimension maximale ou minimale de la pièce à usiner.

Ne pas enlever les copeaux et les pièces usinées avant que la machine ne soit à l'arrêt.

Ne pas se mettre sur la machine.

Tous travaux de branchement et de réparation sur l'installation électrique doivent être exécutés uniquement par un électricien qualifié.

Remplacer immédiatement tout câble endommagé ou usé.

Eloigner suffisamment les doigts des outils en rotation et des copeaux.

Assurer la pièce d'œuvre contre la rotation Pour fixer la pièce, utiliser des griffes de serrage, un étau ou un dispositif auxiliaire.

Ne jamais tenir la pièce seulement avec les mains.

Toujours fixer l'étau sur la table.

Ne jamais travailler à main levée (en tenant la pièce d'œuvre sans appui).

Pour changer la tête de fraisage, arrêter la machine.

Si le centre de gravité de la pièce d'œuvre se trouve en dehors de la table, serrer la pièce sur la table ou utiliser un support roulant.

Avant de commencer le travail, contrôler que la pièce est bien assurée.

Ne retirer les copeaux que sur la machine arrêtée et à l'aide d'un crochet spécial.

Ne pas freiner le mandrin ou l'outil avec la main.

N'opérer des mesures ou des réglages que sur la machine à l'arrêt.

Faire tous les travaux de réglage et les changements d'outil sur la machine arrêtée et dont le bouton d'arrêt d'urgence est enfoncé.

Faire tous les travaux de maintenance et de réparation après avoir débranché la machine du réseau.

Ne pas utiliser d'outil en brosse métallique ou de ponçage sur cette machine.

Lors de l'usage d'un ressort de rappel, faire attention aux pièces éjectées. Suivre scrupuleusement les indications du chapitre 7.5.

### 3.3 Risques

Même en respectant les directives et les consignes de sécurité les risques suivants existent :

Danger de blessures par outils ou mandrin en rotation.

Danger par pièces éjectées, copeaux et outils brûlants  
Risque de nuisances par copeaux et bruit.

Pour travailler à la machine, porter absolument des équipements personnels de sécurité tels que lunettes, protèges-oreilles et poussière

Danger par câble électrique endommagé, usé ou mal branché.

## 4. Spécifications JMD-45PFD-T

### 4.1 Données techniques

Capacité de perçage	30mm
Capacité de taraudage	M20
Capacité fraisage de la tête	100mm
Capacité fraisage de la tige	20mm
Longueur max. pièce	250mm
Distance broche-table	max. 460mm
Nez de broche	ISO 30 (DIN 2080)
Barre d'entraînement	M12
Course d'arbre manuelle	107mm
Pivotement tête de fraisage	90°G/30°D
Vitesses arbre :	12 50-2500T/min
Course de table Axe X	520mm
Course de table Axe Y	210mm
Entraînement automatique broche	0.12 / 0.18 / 0,25mm/rev
Dimensions table	240 x 825mm
Rainure en T :	4 16mm
Dim. machine (L x l x h)	1080 x 1010 x 1300 mm
Poids	340 kg
Voltage	400V ~3L/PE 50Hz
Puissance	1,1kW (1,5 CV) S1
Courant électrique	3 A
Raccordement (H07RN-F)	4x1,5mm <sup>2</sup>
Fusible du secteur élect.	16A

### 4.2 Emission de bruit

Niveau de pression sonore (selon EN 11202):  
Marche à vide (vitesse max.)76,9 dB(A)

Les indications données sont des niveaux de bruit et ne sont pas forcément les niveaux pour un travail sûr.

Cette information est tout de même importante, ainsi l'utilisateur peut estimer les dangers et les risques possibles.

### 4.3 Contenu de la livraison

Etau 85 mm, pivotant  
Porte-foret 13 mm avec mandrin ISO- 30  
HM fraise tourteau, diam. 75 mm  
Barre d'entraînement M12  
3 leviers d'avancement  
Volant de réglage en hauteur de la tête de fraisage  
3 volants de table  
Outil de travail  
Mode d'emploi  
Liste des pièces de rechange

#### 4.4 Description de la machine

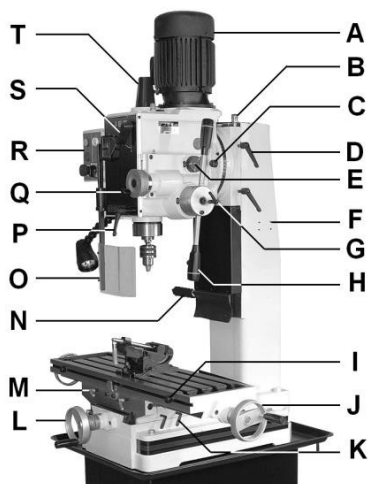


Fig 1

- A. Moteur
- B. Graisseurs chariot axe Z
- C. Blocage articulé tête de fraiseage
- D. Blocage chariot axe Z
- E. Sélecteur vitesse d'entraînement
- F. Emplacement pour montage d'un indicateur numérique
- G. Réglage profondeur de perçage
- H. Poignée d'entraînement de perçage (avance marche/arrêt)
- I. Butées réglables axes X
- J. Volant Axe X
- K. Blocage chariot axe Y
- L. Volant Axe Y
- M. Blocage chariot axe X
- N. Manivelle de hauteur axe Z
- O. Protecteur de mandrin
- P. Fixation de la broche
- Q. Volant mouvement lent de douille
- R. Boîtier de commande
- S. Sélecteur de vitesses de rotation
- T. Protecteur barre d'entraînement

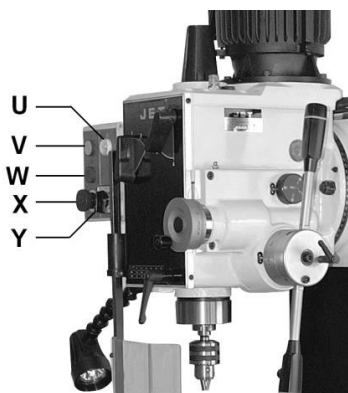


Fig 2

- U. Lampe témoin
- V. Bouton de marche
- W. Bouton d'arrêt
- X. Bouton d'arrêt d'urgence
- Y. Sélecteur de sens de rotation

#### 5. Transport et mise en exploitation

##### 5.1. Transport et installation

La machine est livrée sur une palette, sous emballage fermé

Pour le transport, utiliser un élévateur courant ou un chariot à fourche. Assurer la machine pour qu'elle ne tombe pas pendant le transport.

Effectuer le montage de la machine dans un local fermé, les conditions générales d'atelier suffisent.

La machine doit être vissée sur le socle ou sur un établi solide.

##### **Assurer la machine pour qu'elle ne tombe pas.**

Pour des raisons techniques d'emballage la machine n'est pas complètement montée à la livraison.

##### 5.2 Montage

Si vous constatez des dégâts de transport lors du déballage, avertissez immédiatement votre fournisseur et ne montez pas la machine.

Éliminer l'emballage dans le respect de l'environnement.

Enlever la protection antirouille avec un dissolvant doux. Monter les 3 poignées (H) sur la barre de maintien et le tout sur le moyeu commun.

Poser la manivelle de hauteur (N) dans l'encoche et la fixer avec une tige filetée.

Monter la poignée de la manivelle.

Placer les volants (J, L) sur les broches et les fixer avec des tiges filetées.

Monter les poignées du volant.

##### **Montage de la machine sur le socle ou sur un établi solide**

Dévisser la machine de la palette.

Utiliser des courroies de levage pour soulever la machine de la palette.

##### **Attention :**

**La machine est lourde (340 Kg)!**

**Veiller à la capacité suffisante et au parfait état de l'engin de levage. Ne jamais se placer sous la machine en suspens.**

Poser la machine avec précaution sur le socle ou sur l'établi.

Visser la machine sur le socle ou sur l'établi.

Assurer la machine pour qu'elle ne **tombe pas**.



Fig 3

Utiliser un niveau afin de positionner le bâti horizontalement. Serrer ou relâcher les vis de montage, au besoin utiliser des rondelles.

L'exactitude du travail n'est atteinte que sur une machine posée à plat.

### 5.3 Raccordement au réseau électr.

Le raccordement ainsi que les rallonges utilisées doivent correspondre aux instructions. Le voltage et la fréquence doivent être conformes aux données inscrites sur la machine.

Le fusible de secteur électrique doit avoir 16A.

Utiliser pour le raccordement des câbles H07RN-F.

Tous les travaux de branchement et de réparation sur l'installation électrique doivent être exécutés uniquement par un électricien qualifié.

Le raccordement électrique se fait sur la borne plate du boîtier de commande.

### 5.4 Premier graissage

Avant la mise en service de la machine, il faut graisser tous les points d'huilage.

Le non-respect de cette mesure entraîne des dégâts importants.

(Voir « Graissage », chapitre 8)

### 5.5 Mise en exploitation

**Avant de mettre la machine en route, contrôler la fixation correcte des outils (Chapitre 7.2).**

La lampe témoin (U) est allumée quand la machine est sous tension électrique.

Mettre la machine en route avec le bouton vert (V)

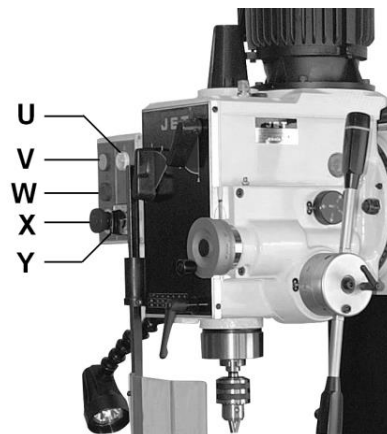


Fig 4

Arrêter la machine avec le bouton rouge (W) sur le boîtier de commande.

Le bouton d'arrêt d'urgence (C) arrête toutes les fonctions de la machine.

#### Attention :

La machine reste sous tension

Déverrouillez le bouton d'arrêt d'urgence en le tournant dans le sens des aiguilles d'une montre.

Le sélecteur de sens de rotation (Y) ne doit être manipulé que lorsque la machine est à l'arrêt.

#### ATTENTION:

**Ne pas changer le sens de rotation de la broche pendant que la machine est en marche.**

Une fausse manœuvre peut détériorer le bouton sélecteur et l'entraînement.

## 6. Fonctionnement de la machine

#### Attention.

Avant les changements d'outils et **les réglages, la machine doit toujours être assurée contre la mise en route.**

**Déconnecter la machine du réseau** et appuyer sur le bouton d'arrêt d'urgence.

Garder les doigts à une distance suffisante de l'outil en rotation, du mandrin et des copeaux.

Ne retirer les copeaux que sur la machine arrêtée et à l'aide d'un crochet spécial.

Ne pas freiner le mandrin ou l'outil avec la main.

Ne jamais travailler en laissant le protecteur du mandrin ouvert.

S'assurer que le foret ne fera pas bouger la pièce.

Serrer la pièce à la table ou se servir d'un étau.

Toujours visser l'étau à la table.

Avant de débiter l'usinage, contrôler que la pièce d'œuvre et l'outil sont bien fixés.

Ne jamais travailler à main levée (en tenant la pièce d'œuvre sans appui).

Poser les pièces longues sur des supports roulants.

Régler la butée de perçage de façon à ne pas percer la table ou le dispositif de serrage.

Régler la puissance de perçage de façon à ce que le foret perce rapidement.

Une vitesse trop lente entraîne l'usure prématurée du foret et les marques de brûlure sur la pièce ou l'outil et une vitesse trop rapide peut stopper le moteur ou casser le foret.

Ne pas utiliser d'outil en brosse métallique ou de ponçage sur cette machine

Ne jamais usiner du magnésium- Danger d'incendie!

Faire toutes les mesures et les réglages sur la machine à l'arrêt.

**En cas de danger appuyer sur le bouton d'arrêt d'urgence.**

### 6.1 Choix de la vitesse de forage

La bonne vitesse dépend de la catégorie du travail, de la matière ainsi que des dimensions de l'outil et de la pièce d'œuvre.

Les données conseillées ci-dessous se rapportent à un outil de 10 mm de diamètre et à un usinage avec un outil en acier rapide (HSS), par ex mèche en spirale.

Aluminium, Laiton 1500 T/min

Fonte grise: 1000 T/min

Acier (C15): 800 T/min

Acier (C45): 600 T/min

Acier inoxydable: 300 T/min

La vitesse peut être env. 5 fois plus importante pour le travail avec un outil en acier dur (HM).

En règle générale plus le diamètre de forage est élevé, plus le nombre de tours possibles est faible.

#### Par exemple:

Un acier (C15) de 20mm de diamètre permet une vitesse de

400 T/min avec outil en HSS

2000 T/min avec outil en HM

## 7. Changement d'outils et réglages

### Remarque

**Avant les changements d'outils et les réglages, la machine doit toujours être assurée contre la mise en route.**

**Appuyer sur le bouton d'arrêt d'urgence!**

### 7.1 Changement de vitesses

Le sélecteur de vitesse de rotation (S, Fig 1) ne doit être manipulé que lorsque la machine est à l'arrêt.

#### ATTENTION:

**Ne pas changer la vitesse de rotation de la broche pendant que la broche tourne.**

Une fausse manœuvre peut détériorer le bouton sélecteur et l'entraînement.

Changer la position de la courroie en fonction du nombre de tours, comme indiqué sur le schéma.

### 7.2 Changement du mandrin de fraisage

Retirer le protecteur de la barre d'entraînement (T, Fig 1).

Positionner le sélecteur de vitesse de rotation sur la position la plus basse afin d'arrêter le mouvement de la broche.

Débloquer la barre d'entraînement Dévisser la barre d'entraînement par 2 ou au maximum 3 tours.

Avec un marteau en caoutchouc, dégager le mandrin de fraisage de l'arbre, par un coup sec sur la barre d'entraînement..

### 7.3 Réglage de la butée de profondeur de fraisage

Pour percer plusieurs trous de la même profondeur, utiliser la butée de profondeur.

### 7.4 Mouvement lent de la douille

Pour utiliser le mouvement lent de la douille, positionner le sélecteur (E, Fig 1) sur le « 0 ».

### 7.5 Entraînement automatique de la broche

Débloquer la fixation de la broche (P).

Régler la butée de profondeur (E) dans la position souhaitée.

#### ATTENTION:

Ne pas percer au delà de la capacité de perçage.

Activer l'avance automatique de perçage en poussant le levier d'entraînement (H) vers l'extérieur.

L'entraînement du fourreau de broche s'effectue jusqu'à ce que la butée de profondeur soit atteinte.

La broche revient en position initiale grâce à un ressort de rappel.

### 7.6 Pivotement tête de la fraisure

Pour faire basculer la tête de fraisure, retirer les écrous (C, Fig 3).

On peut faire basculer la tête de fraisure à 90° à gauche et à 30° à droite.

### 7.7 Réglage du ressort de rappel

Le réglage du ressort de rappel de la douille est réglé au départ usine.

Si un réglage ultérieur est nécessaire, procéder comme suit :

Dégager la poignée (I, Fig. 5) d'environ 6 mm.

**Ne pas retirer le couvercle du ressort (H).**

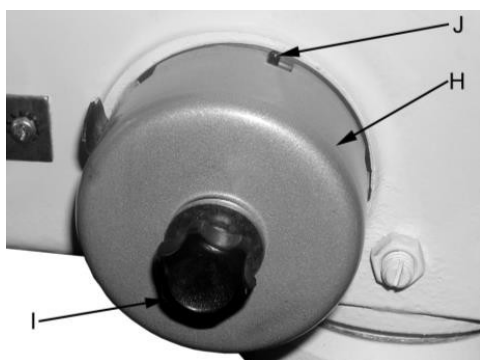


Fig 5

Bien maintenir le couvercle du ressort (H).

Pour augmenter la force du ressort, par exemple, tirer le couvercle du ressort avec précaution et le tourner dans le sens inverse des aiguilles d'une montre jusqu'à ce que le verrouillage (J) s'emboîte.

Resserrer la poignée (I)

## 8. Entretien et inspection

### Attention

**Faire tous les travaux de maintenance, réglage ou nettoyage après avoir débranché la machine du réseau, appuyer sur le bouton d'arrêt d'urgence!**

Nettoyer la machine régulièrement.

Remplacer immédiatement les dispositifs de protection endommagés ou usés

Tous travaux de branchement et de réparation sur l'installation électrique doivent être exécutés uniquement par un électricien qualifié.

### 8.1 Graissage hebdomadaire:

**Graisser chaque semaine:  
DIN 51502 CG ISO VG 68**

(par ex. BP Maccurat 68, Castrol Magna BD 68, Mobil Vectra 2)

- Broche d'entraînement **X**  
Graisser sur toute la longueur

- Broche d'entraînement **Y**  
Graisser sur toute la longueur  
(Positionner la table en fin de course à l'avant et retirer la protection des glissières de direction).

- Broche **d'entraînement Z**  
Positionner la tête de fraisure à l'extrémité supérieure et retirer la protection des glissières.  
Graisser sur toute la longueur.

### 8.2 Graissage quotidien:

**Graisser une fois par jour:  
DIN 51502 CG ISO VG 68**

(par ex. BP Maccurat 68, Castrol Magna BD 68, Mobil Vectra 2)

- **Volants X/Y**  
Graisser les graisseurs

- **Manivelle de hauteur axe Z**  
Graisser les graisseurs

- **Glissières des chariots X/Y**  
Graisser sur toute la longueur

- **Glissières du chariot axe Z**  
Remplir les graisseurs du chariot.

- **Douille de broche**  
Graisser sur toute la longueur.

### 8.3 Graissage annuel

**- Engrenage tête de fraisure: Vidange  
DIN 51517-2 CL ISO VG 68**

(z.B. BP Energol HLP68, Castrol Hyspin AWS 68, Mobil DTE Oil Heavy Medium)

Le niveau d'huile doit atteindre le niveau indiqué.

Le remplissage complémentaire s'effectue par le haut, sur la vis de remplissage d'huile.

Changer l'huile après le premier mois d'exploitation  
Faire pivoter la tête à 90° à gauche et dévisser le bouchon.

Vider complètement l'engrenage.

Remettre la tête à la verticale et remplir avec de l'huile neuve.

A partir de ce moment, changer l'huile une fois par an (le cas échéant, toutes les 700 heures de travail).



#### 8.4 Ajustage course du chariot

Les glissières du chariot X/Y sont munies de lardons coniques réglables.

Si un réglage ultérieur est nécessaire desserrer les vis de réglage d'environ. ¼ de tour.

Contrôler le jeu de course et renouveler la procédure si nécessaire.

#### 8.5 Ajustage de l'écrou de broche

La broche d'entraînement de table est munie d'un écrou réglable (fendu).

Serrer l'écrou de la vis pour réduire le jeu inverse de l'écrou.

### 9. Détecteur de pannes

#### Moteur ne se met pas en route

\*Pas de courant-  
Vérifier le fusible.

\*Défaut au moteur, bouton ou câble-Contacter un électricien qualifié.

#### Vibrations de la machine

\*Machine n'est pas à plat-Equilibrer la machine.

\*L'outil est instable-  
Réduire la longueur de l'outil

\*Les chariots ont du jeu-  
Régler les glissières.

\*Les glissières des chariots sont trop sèches-  
Huiler les glissières des chariots.

\*La douille de broche est sèche-  
Huiler les glissières des chariots.

\*Outils usés-  
Aiguiser les outils ou les changer

\*Pression de coupe trop forte-  
Réduire la profondeur de coupe ou l'entraînement.

\*Broche d'entraînement a un jeu inverse-  
Ajuster l'écrou de broche

#### Outils surchauffés

\*Vitesse de forage trop haute-Réduire la vitesse.

\*Outil émoussé-  
Aiguiser l'outil.

#### Déviations du trou de perçage

\*Foret asymétrique-  
Aiguiser le foret correctement

\*Trou de perçage décalé-  
Utiliser l'alésoir de centrage.

\*Foret déformé-  
Remplacer le foret.

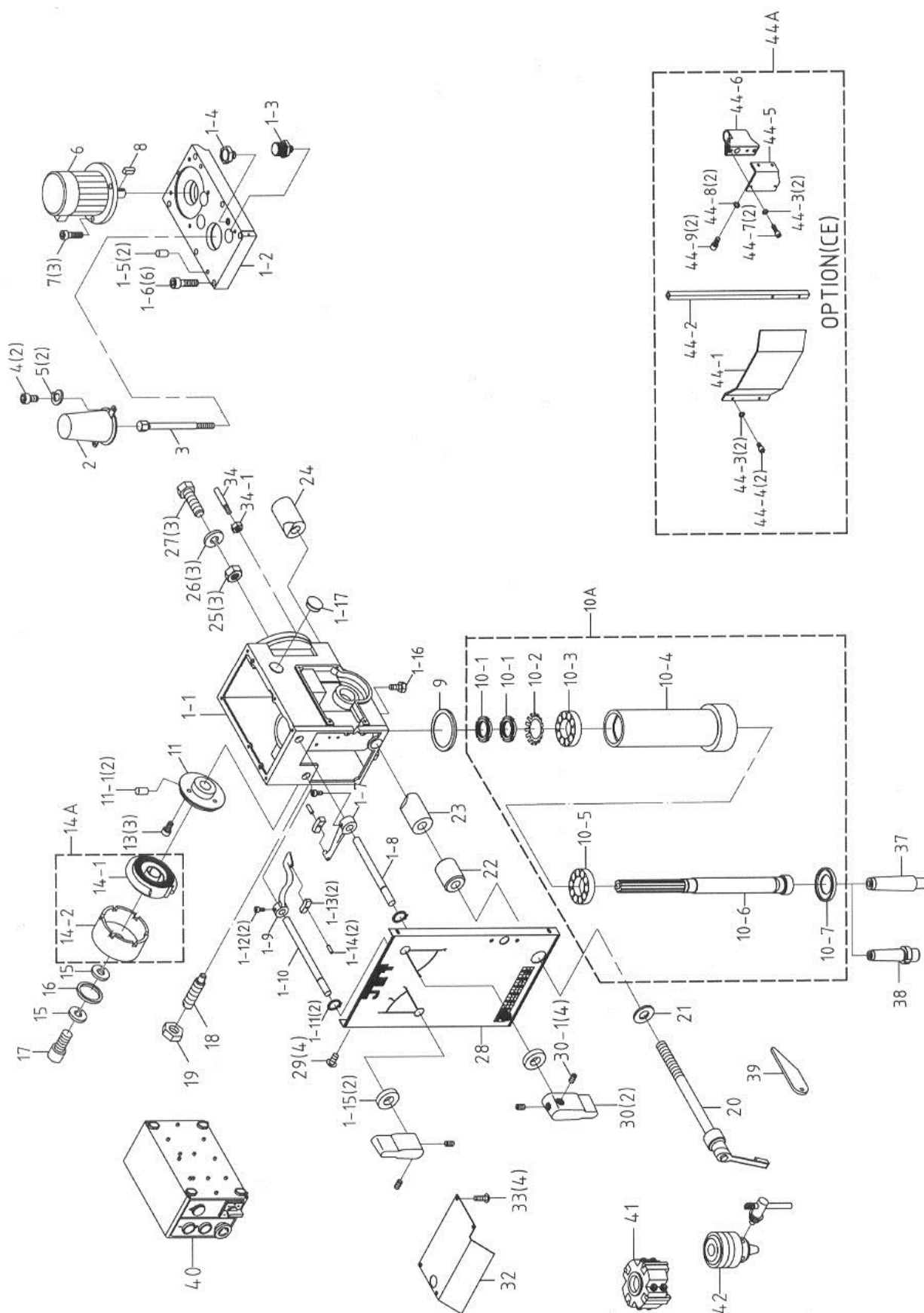
\*Foret non serré correctement-  
Monter le foret correctement.

### 10. Accessoires

Voir liste de prix.

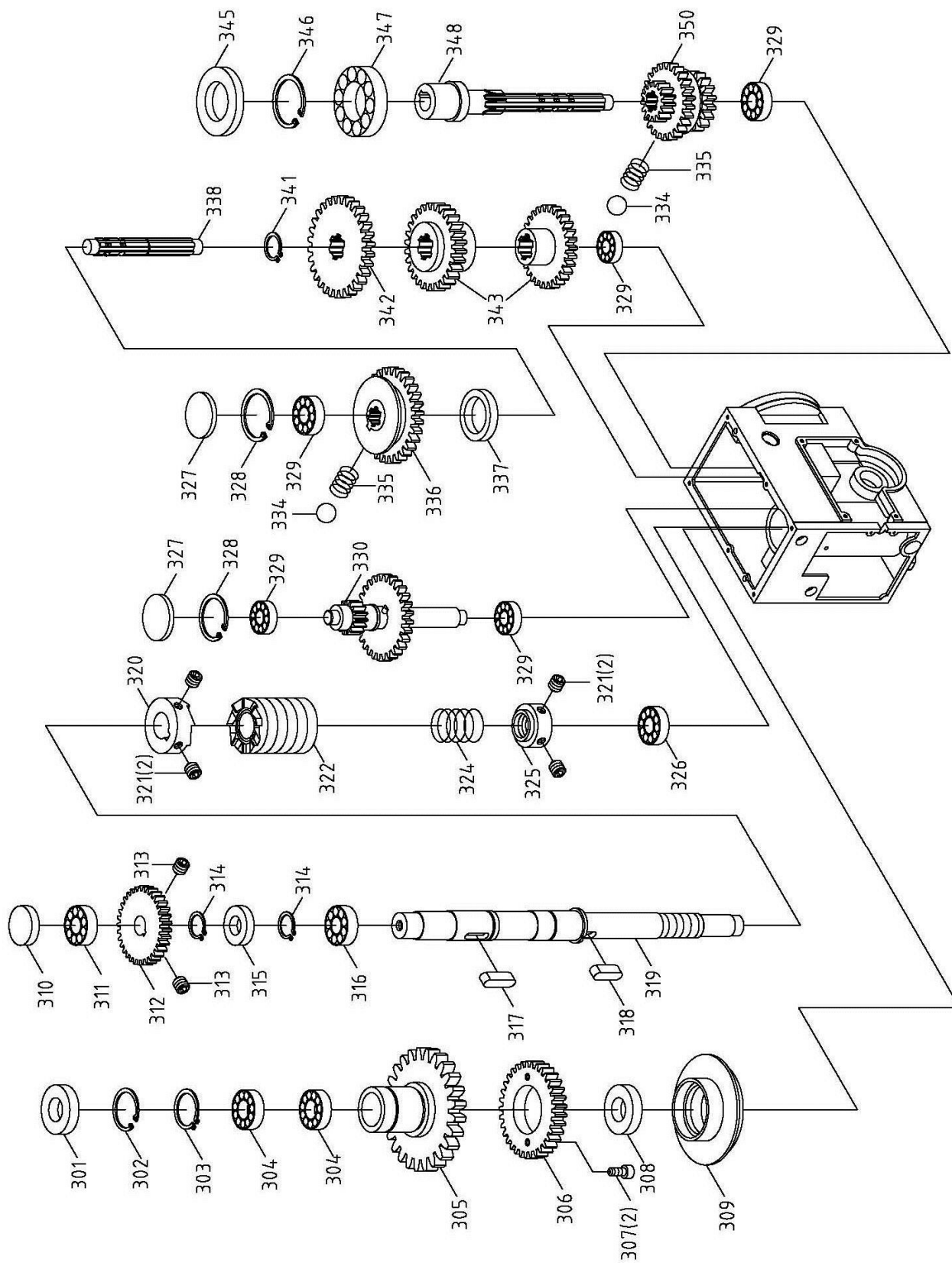
EXPLOSION DRAWING / ERSATZTEILZEICHNUNG / VUE ÉCLATÉE

**JMD-45PFD-T**



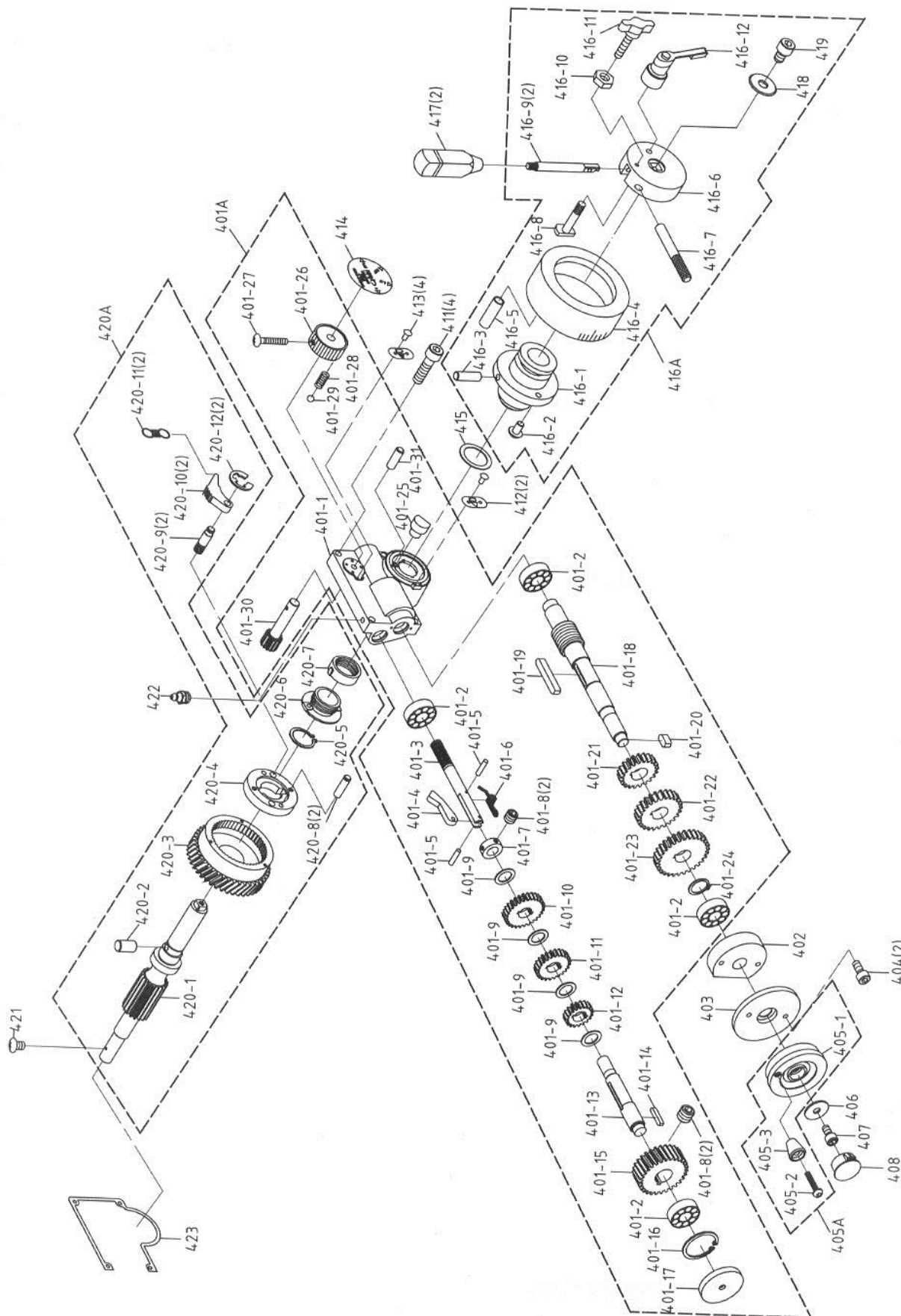
EXPLOSION DRAWING / ERSATZTEILZEICHNUNG / VUE ÉCLATÉE

**JMD-45PFD-T**



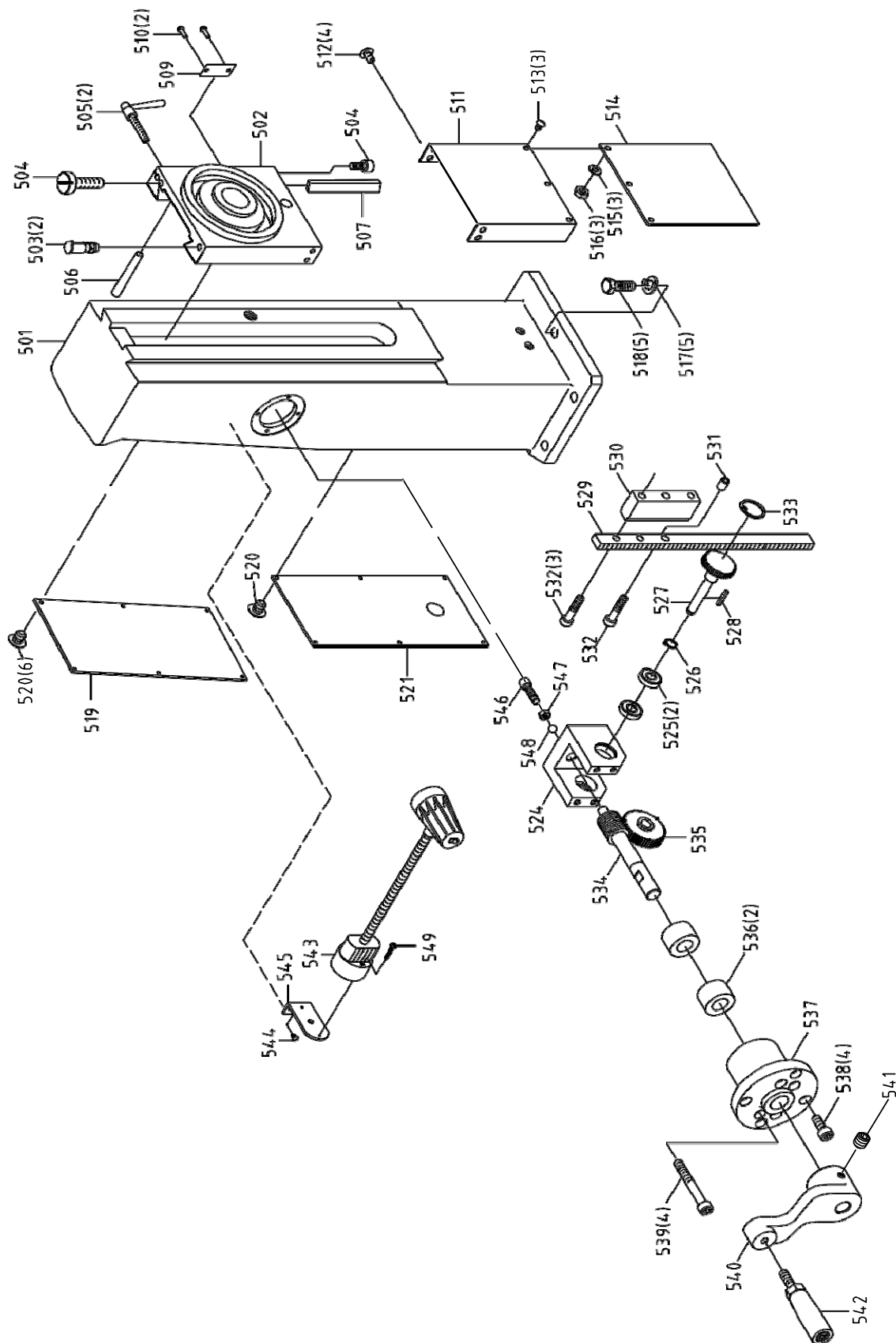
EXPLOSION DRAWING / ERSATZTEILZEICHNUNG / VUE ÉCLATÉE

**JMD-45PFD-T**



EXPLOSION DRAWING / ERSATZTEILZEICHNUNG / VUE ÉCLATÉE

**JMD-45PFD-T**



## PART LIST / ERSATZTEILLISTE / LISTE DES PIÈCES DÉTACHÉES

## JMD-45PFD-T

Index No.	Part No.	Description	Size	Qty.
1A	JMD45PF-001	Head Body Set / Kopf-Körper-Set / Ensemble de corps de tête		1
1-1	JMD45PF-001-1B	Head Body / Kopf Körper / Tête Corps		1
1-2	JMD45PF-001-2	Head Body Cover / Kopf-Körper-Abdeckung / Couvre-corps de tête		1
1-3	JMD45PF-001-3	Vent Plug / Verschlussstopfen / Bouchon d'aération		1
1-4	JMD45PF-001-4	Hex Socket Plug / Innensechskantstecker / Prise à six pans creux		1
1-5	JMD45PF-001-5	Miter Pin / Gehrungsstift / Goupille à onglet	ø 3/8"x2"L	2
1-6	JMD45PF-001-6	Hex. Socket Head Screw / Verhexen. Innensechskantschraube / Hex. Vis à tête creuse	3/8"-16UNC	6
1-7	JMD45PF-001-7	Gear Lever / Schalthebel / Levier		1
1-8	JMD45PF-001-8	Lever Shaft / Hebelwelle / Arbre de levier		1
1-9	JMD45PF-001-9	Gear Lever / Schalthebel / Levier		1
1-10	JMD45PF-001-10	Lever Shaft / Hebelwelle / Arbre de levier		1
1-11	JMD45PF-001-11	C-Retainer Ring / C-Haltering / Anneau de retenue en C		2
1-12	JMD45PF-001-12	Cross Round Head Screw / Kreuzrundkopfschraube / Vis à tête ronde cruciform	1/4"-20UNC	2
1-13	JMD45PF-001-13	Gear Lever Bracket / Schalthebelhalterung / Support de levier de vitesse		2
1-14	JMD45PF-001-14	Pin / Stift / Épingle	ø 4x16	2
1-15	JMD45PF-001-15	Oil Seal / Öldichtung / Joint Huile	ø 12x ø 22x7t	2
1-16	JMD45PF-001-16	Hex Socket Plug / Innensechskantstecker / Prise à six pans creux	1/4"	1
1-17	JMD45PF-001-17	Fluid Lever Indicator / Flüssigkeitshebelanzeige / Indicateur du levier de liquid	ø29	1
2	JMD45PF-002	Main Shaft Cover / Hauptwellenabdeckung / Couvercle de l'arbre principal		1
3	JMD45PF-003E	Draw bar ISO-30 / Zugstange ISO-30 / Barre de traction ISO-30	M12	1
4A	JMD45PF-004A	Hex. Socket Head Screw Assembly (#4+#5) / Verhexen. Innensechskantschraubenbaugruppe (#4+#5) / Hex. Ensemble de vis à tête creuse (#4+#5)		2
4	JMD45PF-004	Hex. Socket Head Screw / Verhexen. Innensechskantschraube / Hex. Vis à tête creuse	M4x0.7Px6	2
5	JMD45PF-005	Hex. Socket Head Screw / Verhexen. Innensechskantschraube / Hex. Vis à tête creuse	M4	2
6	JMD45PF -M252C	Motor / Motor / Motrice	400V/3ph/1-1/2Hp	1
7	JMD45PF-007	Hex. Socket Head Screw / Verhexen. Innensechskantschraube / Hex. Vis à tête creuse	3/8"-16UNC	3
8	JMD45PF-008	Key / Schlüssel / Clé	6x6x30	1
9	JMD45PF-009	Rubber Flange / Gummiflansch / Bride en caoutchouc		1
10A	JMD45PF-010E	Pinion Assembly / Ritzelbaugruppe / Assemblage du pignon	ISO-30	1
10-1	JMD45PF-010-1	Locknuts / Kontermuttern / Contre-écrous		2
10-2	JMD45PF-010-2	Washer / Unterlegscheibe / Rondelle	ø30	1
10-3	JMD45PF-010-3	Taper Roller Bearing / Kegelrollenlager / Roulement à rouleaux coniques		1
10-4	JMD45PF-010-4	Rack Sleeve / Rack-Hülse / Manchon à crémaillère	ISO-30	1
10-5	JMD45PF-010-5	Taper Roller Bearing / Kegelrollenlager / Roulement à rouleaux coniques		1
10-6	JMD45PF-010-6E	Spindle Shaft / Spindelwelle / Arbre de broche	ISO-30	1
10-7	JMD45PF-010-7E	Bearing Cap / Lagerdeckel / Capuchon de palier		1
11	JMD45PF-011	Spring Base / Federbasis / Socle à resort		1
11-1	JMD45PF-011-1	Pin / Stift / Épingle	ø 3x12	2
13	JMD45PF-013	Cross Round Head Screw / Kreuzschlitzschraube / Vis à tête ronde croisée		3
14A	JMD45PF-014	Taper Roller Bearing / Kegelrollenlager / Roulement à rouleaux coniques		1
14-1	JMD45PF-014-1	Spring / Frühling / Printemps		1

## PART LIST / ERSATZTEILLISTE / LISTE DES PIÈCES DÉTACHÉES

## JMD-45PFD-T

Index No.	Part No.	Description	Size	Qty.
14-2	JMD45PF-014-2	Spring Cover / Frühjahrsabdeckung / Couvercle de printemps		1
15	JMD45PF-015	Spring Washer / Federscheibe / Rondelle de ressort	1/4"x1"x1.5t	2
16	TS-0680021	Washer / Unterlegscheibe / Rondelle	1/4"	1
17	JMD45PF-017	Hex. Socket Head Screw / Verhexen. Innensechskantschraube / Hex. Vis à tête creuse	1/4"x5/8	1
18	JMD45PF-018	Screw Key / Schraubenschlüssel / Clé à vis	3/8"-16UNC	1
19	TS-0561031	Hex. Nut / Hex. Mutter / Hex. Ecrou	3/8"	1
20	JMD45PF-020	Handle Rod / Handgriff Stange / Tige de la poignée		1
21	JMD45PF-021	Washer / Unterlegscheibe / Rondelle	1/2"x7/8"x2t	1
22	JMD45PF-022	Fixed Tight Collar / Festes, enges Halsband / Collier fixe et serré		1
23	JMD45PF-023	Fixed Tight Collar / Festes, enges Halsband / Collier fixe et serré		1
24	JMD45PF-024	Fixed Tight Collar / Festes, enges Halsband / Collier fixe et serré		1
25	JMD45PF-025	Nut / Nuss / Écrou	5/8"-11UNC	3
26	TS-0680081	Washer / Unterlegscheibe / Rondelle	5/8"	3
27	JMD45PF-027	Fixed Bolt / Fester Bolzen / Boulon fixe		3
28	JMD45PF-028	Name Plate / Namensschild / Plaque d'identification		1
29	JMD45PF-029	Cross Round Head Screw / Kreuzschlitzschraube / Vis à tête ronde croisée	3/16"-24UNC	4
30	JMD45PF-030	Speed Lever / Geschwindigkeitshebel / Levier de vitesse		2
30-1	JMD45PF-030-1	Socket Set Screw / Stellschraube mit Innensechskant / Vis à tête creuse	5/16"x5/16"	4
32	JMD45PF-032	Dust Plate / Staubteller / Plaque de poussière		1
33	JMD45PF-033	Cross Round Head Screw / Kreuzschlitzschraube / Vis à tête ronde croisée	3/16"-24UNC	4
34	JMD45PF-034	Miter Pin / Gehrungsstift / Goupille d'onglet	M6x $\phi$ 7	1
34-1	JMD45PF-034-1	Hexagon Nut / Sechskantmutter / Écrou hexagonal	M6	1
37	JMD45PF-037E	Chuck Arbor ISO-30 / Futterdorn ISO-30 / Arbre du mandrin ISO-30	M12xP1.75	1
38	JMD45PF-038E	Cutter Arbor ISO-30 / Fräser-Aufnahme ISO-30 / Porte-outil ISO-30	M12xP1.75	1
40	JMD45PF-040	Switch / Schalter / Interrupteur		1
41	JMD18-086E	Milling Cutter / Fräswerkzeug / Fraise	$\phi$ 22	1
42	JMD18-113E	Chuck / Chuck / Chuck	B-16	1
44A	JMD45PF-044	Chuck Guard Assembly / Spannfutter-Schutzvorrichtung / Assemblage de la protection du mandrin		1
44-1	JMD45PF-044-1	Chuck Guard / Chuck Guard / Chuck Guard		1
44-2	JMD45PF-044--	Chuck Guard Supporting Rod / Futterschutz-Stützstange / Protège-mandrin Tige de support		1
44-3	JMD45PF-044-3	Spring Washer / Federscheibe / Rondelle de ressort	M5	4
44-4	JMD45PF-044-4	Hex. Socket Head Screw / Verhexen. Innensechskantschraube / Hex. Vis à tête creuse	M5x10	2
44-5	JMD45PF-044-5	Chuck Guard Bracket / Futterschutzbügel / Support de protection du mandrin		1
44-6	JMD45PF-044-6	Rotary Supporting Base / Drehbarer Stützfuß / Base d'appui rotative		1
44-7	JMD45PF-044-7	Hex. Socket Head Screw / Verhexen. Innensechskantschraube / Hex. Vis à tête creuse	M5x15L	2
44-8	JMD45PF-044-8	Spring Washer / Federscheibe / Rondelle de ressort	M6	2
44-9	JMD45PF-044-9	Hex. Socket Head Screw / Verhexen. Innensechskantschraube / Hex. Vis à tête creuse	M6x15L	2
301	JMD45PF-301	Oil Seal / Öldichtung / Joint d'huile	$\phi$ 40x $\phi$ 68x8t	1
302	JMD45PF-303	C-Retainer Ring / C-Fixierring / Bague de maintien en C	R68	1
303	JMD45PF-304	C-Retainer Ring / C-Fixierring / Bague de maintien en C	S40	1
304	BB-6008Z	Ball Bearing / Kugellager / Roulement à billes	6008ZZ	2
305	JMD45PF-306	Gear / Getriebe / Engrenages	35T	1
306	JMD45PF-306	Gear / Getriebe / Engrenages	15T	1
307	JMD45PF-307	Hex. Socket Head Screw / Verhexen. Innensechskantschraube / Hex. Vis à tête creuse	M5x12	2

## PART LIST / ERSATZTEILLISTE / LISTE DES PIÈCES DÉTACHÉES

## JMD-45PFD-T

Index No.	Part No.	Description	Size	Qty.
308	JMD45PF-308	Oil Seal / Öldichtung / Joint d'huile	ø 35x ø 45x8t	1
309	JMD45PF-309	Oil Seal Ring / Öldichtring / Bague d'étanchéité d'huile		1
310	JMD45PF-310	Dust Cover / Staubschutzhülle / Couverture anti-poussière	ø 35	1
311	BB-6202Z	Ball Bearing / Kugellager / Roulement à billes	6202ZZ	1
312	JMD45PF-312	Gear / Getriebe / Engrenages		1
313	JMD45PF-313	Socket Set Screw / Stellschraube mit Innensechskant / Vis à tête creuse	M6x6	2
314	JMD45PF-314	C-Retainer Ring / C-Fixierring / Bague de maintien en C	S17	2
315	JMD45PF-315	Oil Seal / Öldichtung / Joint d'huile	ø 17x ø 35x8t	1
316	BB-6003ZZ	Ball Bearing / Kugellager / Roulement à billes	6003ZZ	1
317	JMD45PF-317	Key / Schlüssel / Clé	5x5x16	1
318	JMD45PF-318	Key / Schlüssel / Clé	5x5x10	1
319	JMD45PF-319	Transmission Worm / Übertragung Wurm / Ver de transmission		1
320	JMD45PF-320	Clutch Block / Kupplungsblock / Bloc d'embrayage		1
321	JMD45PF-321	Socket Set Screw / Stellschraube mit Innensechskant / Vis à tête creuse	M5x5	4
322	JMD45PF-322	Worm Shaft / Schneckenwelle / Arbre à vis sans fin		1
324	JMD45PF-324	Spring / Frühling / Printemps		1
325	JMD45PF-325	Nut / Nuss / Écrou		1
326	BB-6001Z	Ball Bearing / Kugellager / Roulement à billes	6001ZZ	1
327	JMD45PF-327	Dust Cover / Staubschutzhülle / Couverture anti-poussière	ø 35	2
328	JMD45PF-328	C-Retainer Ring / C-Fixierring / Bague de maintien en C	R35	2
329	BB-6002Z	Ball Bearing / Kugellager / Roulement à billes	6002ZZ	5
330	JMD45PF-330	Gear Shaft w/ Gear / Getriebewelle mit Getriebe / Arbre d'engrenage avec engrenage	15/41T	1
333	JMD45PF-333	C-Retainer Ring / C-Fixierring / Bague de maintien en C	S22	1
334	JMD45PF-334	Steel Ball / Stahlkugel / Boule d'acier	ø 5/16"	3
335	JMD45PF-335	Spring / Frühling / Printemps	ø 0.8x7	3
336	JMD45PF-336	Gear Set / Zahnradsatz / Jeu d'engrenages	35T	1
337	JMD45PF-337	Bushing / Buchse / Douille		1
338	JMD45PF-338	Gear Shaft / Getriebewelle / Arbre de transmission		1
341	JMD45PF-341	C-Retainer Ring / C-Fixierring / Bague de maintien en C	S18	1
342	JMD45PF-342	Gear / Getriebe / Engrenages	42T	1
343	JMD45PF-343	Gear / Getriebe / Engrenages	44/28T	1
345	JMD45PF-345	Oil Seal / Öldichtung / Joint d'huile	ø 35x ø 62x8t	1
346	JMD45PF-346	C-Retainer Ring / C-Fixierring / Bague de maintien en C	R62	1
347	BB-6007Z	Ball Bearing / Kugellager / Roulement à billes	6007ZZ	1
348	JMD45PF-348	Gear Shaft / Getriebewelle / Arbre de transmission		1
350	JMD45PF-350	Gear Set / Zahnradsatz / Jeu d'engrenages	15/31/43T	1
401A	JMD45PF-401	Gear Box Assembly / Getriebemontage / Assemblage de la boîte de vitesses		1
401-1	JMD45PF-401-1B	Gear Box / Getriebe / Boîte de vitesses		1
401-2	BB-6003Z	Bearing / Lager / Palier	6003ZZ	4
401-3	JMD45PF-401-3	Change Gear Lever / Schalthebel / Levier de changement de vitesse		1
401-4	JMD45PF-401-4	Speed-Changing Key / Taste für die Geschwindigkeitsänderung / Touche de changement de vitesse		1
401-5	JMD45PF-401-5	Pin / Stift / Épingle	ø 3x10	2
401-6	JMD45PF-401-6	Twisted Spring / Gedrehte Feder / Printemps torsadé		1
401-7	JMD45PF-401-7	Bushing Bracket / Buchse Halterung / Support de douille		1
401-8	JMD45PF-401-8	Socket Set Screw / Stellschraube mit Innensechskant / Vis à tête creuse	M6x6	4
401-9	JMD45PF-401-9	Bushing / Buchse / Douille		4
401-10	JMD45PF-401-10	Gear / Getriebe / Engrenages	ø27	1
401-11	JMD45PF-401-11	Gear / Getriebe / Engrenages		1



## PART LIST / ERSATZTEILLISTE / LISTE DES PIÈCES DÉTACHÉES

## JMD-45PFD-T

Index No.	Part No.	Description	Size	Qty.
401-12	JMD45PF-401-12	Gear / Getriebe / Engrenages		1
401-13	JMD45PF-401-13	Worm Shaft / Schneckenwelle / Arbre à vis sans fin		1
401-14	JMD45PF-401-14	Key / Schlüssel / Clé	5x5x28	1
401-15	JMD45PF-401-15	Worm Gear / Schneckengetriebe / Engrenage à vis sans fin		1
401-16	JMD45PF-401-16	C-Retainer Ring / C-Fixierring / Bague de maintien en C	R35	1
401-17	JMD45PF-401-17	Cover / Abdeckung / Couverture		1
401-18	JMD45PF-401-18	Transmission Worm Shaft / Getriebe-Schneckenwelle / Arbre à vis sans fin de la transmission		1
401-19	JMD45PF-401-19	Key / Schlüssel / Clé	5x5x32	1
401-20	JMD45PF-401-20	Key / Schlüssel / Clé	4x4x10	1
401-21	JMD45PF-401-21	Gear / Getriebe / Engrenages		1
401-22	JMD45PF-401-22	Gear / Getriebe / Engrenages		1
401-23	JMD45PF-401-23	Gear / Getriebe / Engrenages		1
401-24	JMD45PF-401-24	C-Retainer Ring / C-Fixierring / Bague de maintien en C	S19	1
401-25	JMD45PF-401-25	Release Block / Block freigeben / Bloc de liberation		1
401-26	JMD45PF-401-26	Speed Lever / Geschwindigkeitshebel / Levier de vitesse		1
401-27	JMD45PF-401-27	Cross Round Head Screw / Kreuzschlitzschraube / Vis à tête ronde croisée	M4x0.7x25	1
401-28	JMD45PF-401-28	Spring / Frühling / Printemps		1
401-29	JMD45PF-401-29	Steel Ball / Stahlkugel / Boule d'acier	5/16"	1
401-30	JMD45PF-401-30	Gear Shaft / Getriebewelle / Arbre de transmission		1
401-31	JMD45PF-401-31	Pin / Stift / Épingle		1
402	JMD45PF-402	Bearing Spacer / Lager-Distanzstück / Entretoise de palier		1
403	JMD45PF-403	Graduated Bottom Plate / Abgestufte Bodenplatte / Plaque de fond graduée		1
404	JMD45PF-404	Hex. Socket Head Screw / Verhexen. Innensechskantschraube / Hex. Vis à tête creuse	M5x30	2
405A	JMD45PF-405	Handwheel Assembly / Handrad Montage / Assemblage du Volant		1
405-1	JMD45PF-405-1	Wheel / Rad / Roue		1
405-2	JMD45PF-405-2	Screw / Schraube / Vis	5/16"	1
405-3	JMD45PF-405-3	Knob / Knopf / Bouton		1
406	JMD45PF-406	Washer / Unterlegscheibe / Rondelle	M6	1
407	JMD45PF-407	Hex. Socket Head Screw / Verhexen. Innensechskantschraube / Hex. Vis à tête creuse	M6x12	1
408	JMD45PF-408	Plug / Stecker / Fiche	7/8"	1
411	JMD45PF-411	Hex. Socket Head Screw / Verhexen. Innensechskantschraube / Hex. Vis à tête creuse	5/16"x1-1/4"	4
412	JMD45PF-412	Scale / Skala / Échelle		2
413	JMD45PF-413	Rivet / Niete / Rivet	∅ 2x4	4
414	JMD45PF-414	Speed Scale / Geschwindigkeitsskala / Échelle de vitesse		1
415	JMD45PF-415	Washer / Unterlegscheibe / Rondelle		1
416A	JMD45PF-416	Clutch Bushing Set / Kupplungsbuchsensatz / Jeu de bagues d'embrayage		1
416-1	JMD45PF-416-1	Clutch Bushing / Kupplungsbuchse / Douille d'embrayage		1
416-2	JMD45PF-416-2	Bushing Stop / Buchse Anschlag / Butée de douille		1
416-3	JMD45PF-416-3	Bushing Pin / Buchse Stift / Goupille de la douille		1
416-4	JMD45PF-416-4	Scale Base / Skala Basis / Base de l'échelle		1
416-5	JMD45PF-416-5	Pin / Stift / Épingle	∅ 5	1
416-6	JMD45PF-416-6	Handle Body / Handgriff Körper / Corps de la poignée		1
416-7	JMD45PF-416-7	Handle Rod Pin / Griff Stange Stift / Goupille de la tige de la poignée		2
416-8	JMD45PF-416-8	Scale Base Set Screw / Skalenbasis Stellschraube / Vis de réglage de la base de la balance		1
416-9	JMD45PF-416-9	Knob W/Shaft / Knopf W/Welle / Bouton avec arbre		2
416-10	TS-0561021	Hex. Nut / Hex. Mutter / Hex. Ecrou	5/16"	1

## PART LIST / ERSATZTEILLISTE / LISTE DES PIÈCES DÉTACHÉES

## JMD-45PFD-T

Index No.	Part No.	Description	Size	Qty.
416-11	JMD45PF-416-11	T Screw / T Schraube / Vis en T	5/16"x3/4"	1
416-12	JMD45PF-416-12	Graduated Base Fixed Grip / Abgestufter Sockel Fester Griff / Base graduée Poignée fixe		1
417	JMD45PF-417	Plastic Round Knob / Runder Kunststoffknopf / Bouton rond en plastique		2
418	JMD45PF-418	Washer / Unterlegscheibe / Rondelle	M8x23x2t	1
419	JMD45PF-419	Hex. Socket Head Screw / Verhexen. Innensechskantschraube / Hex. Vis à tête creuse	M8x12	1
420A	JMD45PF-420	Pinion Shaft Set / Ritzelwellensatz / Jeu d'arbre de pignon		1
420-1	JMD45PF-420-1	Pinion Shaft / Ritzelwelle / Arbre à pignon		1
420-2	JMD45PF-420-2	Key / Schlüssel / Clé		2
420-3	JMD45PF-420-3	Worm Gear / Schneckengetriebe / Engrenage à vis sans fin		1
420-4	JMD45PF-420-4	Clutch Key Base / Kupplungsschlüssel Basis / Base de la clé d'embrayage		1
420-5	JMD45PF-420-5	C-Retainer Ring / C-Fixiering / Bague de maintien en C	S25	1
420-6	JMD45PF-420-6	Clutch Screw / Kupplungsschraube / Vis d'embrayage		1
420-7	JMD45PF-420-7	Clutch Nut / Kupplungsmutter / Écrou d'embrayage		1
420-8	JMD45PF-420-8	Spring Pin / Federstift / Goupille à ressort		2
420-9	JMD45PF-420-9	Clutch Key Pin / Kupplungsschlüssel-Stift / Goupille de la clé d'embrayage		2
420-10	JMD45PF-420-10	Clutch Key / Kupplungsschlüssel / Clé d'embrayage		2
420-11	JMD45PF-420-11	Spring / Frühling / Printemps		2
420-12	JMD45PF-420-12	E-Ring / E-Ring / Anneau en E		2
421	JMD45PF-421	Flat Cross Head Screw / Flache Kreuzschlitzschraube / Vis à tête plate cruciform	3/16"x3/8"	1
422	JMD45PF-422	Oil Nozzle / Öl-Düse / Buse d'huile	1/8"	1
423	JMD45PF-423	Rubber Plate / Gummiplatte / Plaque de caoutchouc		1
501	JMD45PF-501G	Vertical Square Column / Vertikale quadratische Säule / Colonne carrée vertical		1
502	JMD45PF-502B	Headstock Swivel Base / Spindelstock-Drehfuß / Base pivotante de la poupée		1
503	JMD45PF-504	Oil Seal / Öldichtung / Joint d'huile	1/8"	2
504	JMD45PF-504	Gib Strip Bolt / Gib Strip Bolt / Boulon à bande Gib		2
505	JMD45PF-505	Grip / Grip / Poignée		2
506	JMD45PF-506	Miter Pin / Gehrungsstift / Goupille d'onglet	M6x50	1
507	JMD45PF-509	Gib Strip / Gib Strip / Bande Gib		1
509	JMD45PF-509	Plate / Platte / Assiette		1
510	JMD45PF-510	Rivet / Niete / Rivet	ø 2.5	2
511	JMD45PF-511	Anti-dust Plate / Anti-Staub-Platte / Plaque anti-poussière		1
512	JMD45PF-512	Cross Round Head Screw / Kreuzschlitzschraube / Vis à tête ronde croisée	M5x10	4
513	JMD45PF-513	Cross Round Head Screw / Kreuzschlitzschraube / Vis à tête ronde croisée	M5x6	3
514	JMD45PF-514	Anti-dust Plate / Anti-Staub-Platte / Plaque anti-poussière		1
515	JMD45PF-515	Washer / Unterlegscheibe / Rondelle	M5	3
516	JMD45PF-516	Hex. Nut / Hex. Mutter / Hex. Ecrou	M5	3
517	JMD45PF-517G	Spring Washer / Federscheibe / Rondelle de ressort	M20	5
518	JMD45PF-518G	Hex. Head Screw / Sechskant. Kopfschraube / Vis à tête hexagonale Vis à tête hexagonale	M20x60	5
519	JMD45PF-519G	Steel Plate / Stahlplatte / Tôle d'acier		1
520	JMD45PF-520	Cross Round Head Screw / Kreuzschlitzschraube / Vis à tête ronde croisée	M5x10	12
521	JMD45PF-521G	Steel Plate / Stahlplatte / Tôle d'acier		1
524	JMD45PF-524	Bracket / Halterung / Support		1

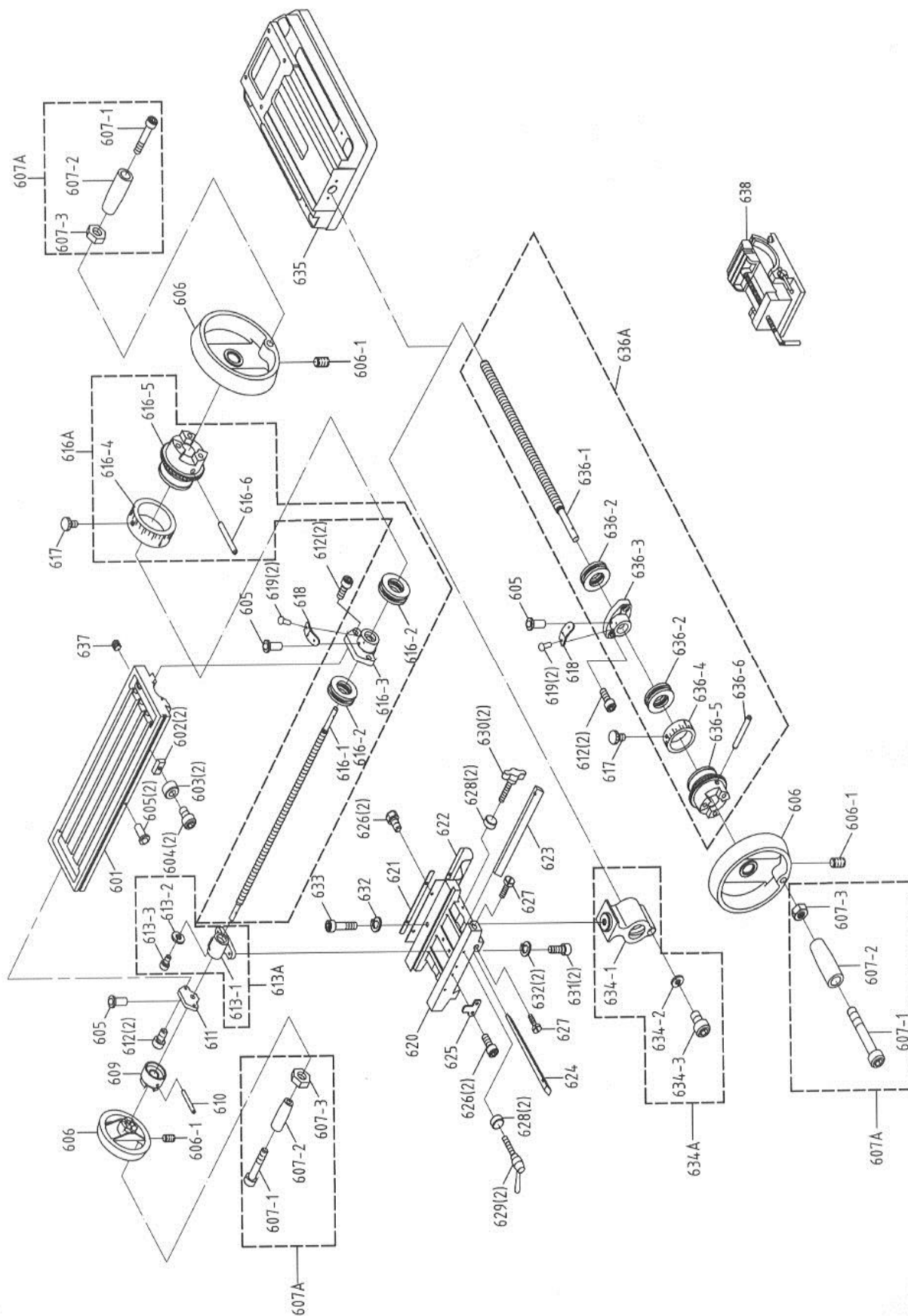
## PART LIST / ERSATZTEILLISTE / LISTE DES PIÈCES DÉTACHÉES

## JMD-45PFD-T

Index No.	Part No.	Description	Size	Qty.
525	BB-6003Z	Bearing / Lager / Palier	6003ZZ	2
526	JMD45PF-526	C-Retainer Ring / C-Fixierring / Bague de maintien en C	S17	1
527	JMD45PF-527	Gear Shaft / Getriebewelle / Arbre de transmission		1
528	JMD45PF-528	Key / Schlüssel / Clé	5x5x28	1
529	JMD45PF-529	Rack / Gestell / étagère		1
530	JMD45PF-530	Bushing / Buchse / Douille		1
531	JMD45PF-532	Bushing / Buchse / Douille		1
532	JMD45PF-532	Hex. Socket Head Screw / Verhexen. Innensechskantschraube / Hex. Vis à tête creuse	M12x85	4
533	JMD45PF-533	C-Retainer Ring / C-Fixierring / Bague de maintien en C	R35	1
534	JMD45PF-534	Worm Shaft / Schneckenwelle / Arbre à vis sans fin		1
535	JMD45PF-535	Worm Shaft / Schneckenwelle / Arbre à vis sans fin		1
536	JMD45PF-536	Bearing / Lager / Palier		2
537	JMD45PF-537G	Support Flange / Stützflansch / Bride de support		1
538	JMD45PF-538G	Hex. Socket Head Screw / Verhexen. Innensechskantschraube / Hex. Vis à tête creuse	M8x25	4
539	JMD45PF-539G	Hex. Socket Head Screw / Verhexen. Innensechskantschraube / Hex. Vis à tête creuse	M8x60	4
540	JMD18-058E	Head Handle / Kopf Handgriff / Poignée de tête		1
541	TS-0271061	Socket Set Screw / Stellschraube mit Innensechskant / Vis à tête creuse	3/8"x5/8"	2
542	JMD45PF-542	Clamp Handle / Klammer-Griff / Poignée de serrage		1
543	JMD18N-116E	Led Light Assembly / LED-Licht Montage / Assemblage de la lampe à Led	12V, 6W	1
544	TS-2246102	Socket Head Button Screw / Zylinderkopfschraube mit Innensechskant / Vis à tête creuse et à bouton	M6x10	2
545	JMD45PF-545	Lamp Bracket / Lampenhalterung / Support de lampe		1
546	TS-1504041	Socket Head Cap Screw / Zylinderschraube mit Innensechskant / Vis à tête creuse	M8x20	1
547	TS-1540061	Hex. Nut / Hex. Mutter / Hex. Ecrou	M8	1
548	JMD45PF-548	Steel Ball / Stahlkugel / Boule d'acier	ø 6	1
549	JMD45PF-549	Pan Head Machine Screw / Flachkopf-Maschinenschraube / Vis à tête cylindrique	M4x40	2

EXPLOSION DRAWING / ERSATZTEILZEICHNUNG / VUE ÉCLATÉE

**JMD-45PFD-T**



## PART LIST / ERSATZTEILLISTE / LISTE DES PIÈCES DÉTACHÉES

## JMD-45PFD-T

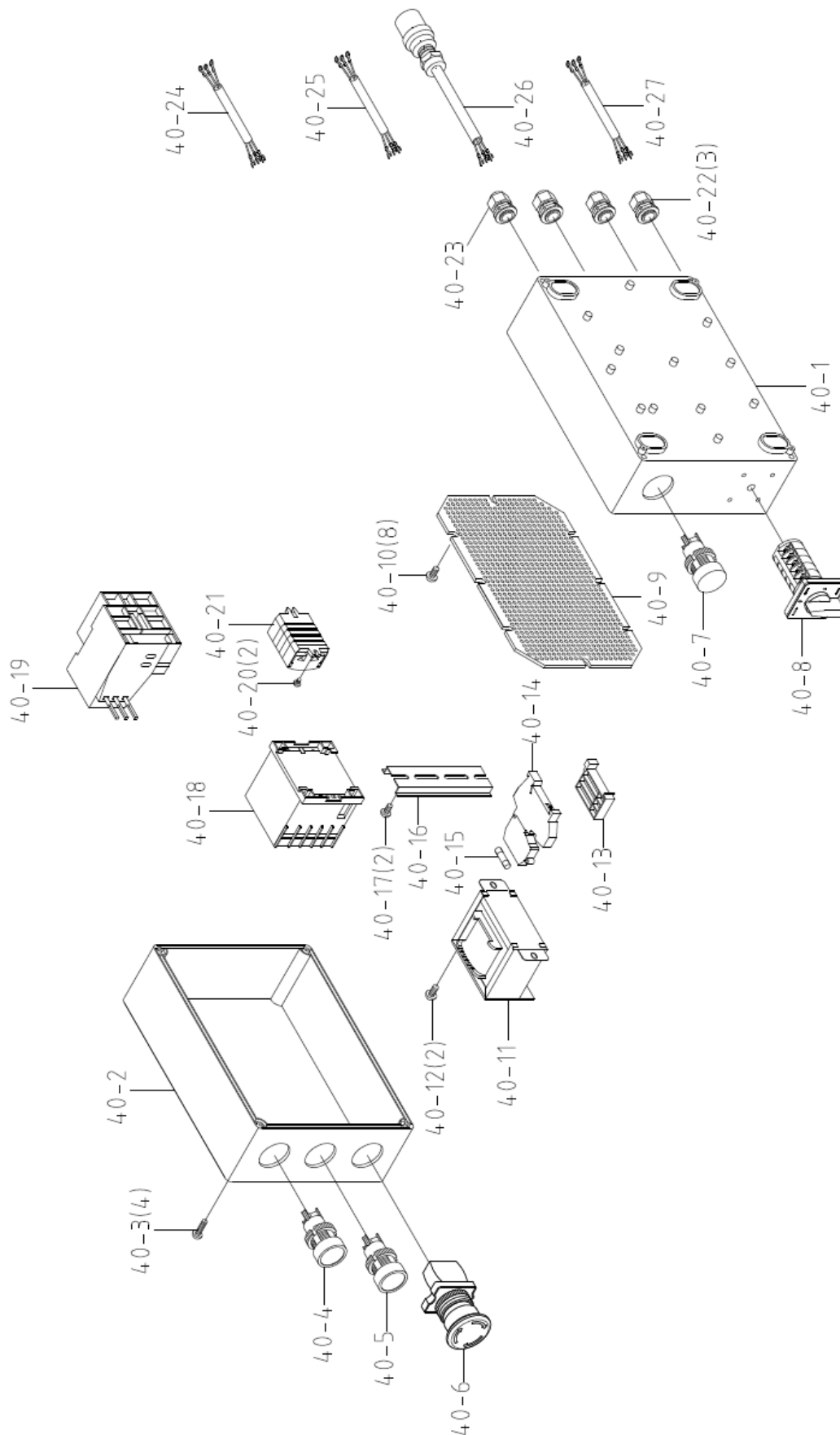
Index No.	Part No.	Description	Size	Qty.
601	JMD45PF-601B	Table / Tabelle / Tableau	30L	1
602	JMD45PF-602	Fixed Block / Fester Block / Bloc fixe		2
603	JMD45PF-603	Movable Fixed Ring / Beweglicher fester Ring / Anneau fixe mobile		2
604	JMD45PF604	Hex. Socket Head Screw / Verhexen. Innensechskantschraube / Hex. Vis à tête creuse	1/4"x1/2"	2
605	JMD45PF-605	Oil Ball / Ölkugel / Boule d'huile	1/4"	5
606	JMD18-201	Table Handle Wheel / Tischgriffrad / Roue de poignée de table	ø 17	3
606-1	TS-0267041	Socket Set Screw / Innensechskantschraube / Vis de serrage à douille	1/4"x3/8	3
607A	JMD18-201A	Clamp Handle / AClemmengriff / ACPoignée de lampe		3
607-1	JMD18-201-1	Hex. Socket Head Screw / Verhexen. Innensechskantschraube / Hex. Vis à tête creuse	3/8"-16UNC	3
607-2	JMD18-201-2	Knob / Knopf / Bouton		3
607-3	JMD18-201-3	Hex. Nut / Hex. Mutter / Hex. Ecrou	3/8"	3
609	JMD45PF-609	Table Clutch / Tischkupplung / Embrayage de table	ø 17	1
610	JMD45PF-610	Pin / Stift / Broches	ø 5x38	1
611	JMD45PF-611B	Left Flange / Linker Flansch / Bride gauche	ø 17	1
612	JMD45PF-612	Hex. Socket Head Screw / Verhexen. Innensechskantschraube / Hex. Vis à tête creuse	5/16"x1"	6
613A	JMD45PF-613	Table Nut Set / Tischmutternsatz / Jeu d'écrous de table		1
613-1	JMD45PF-613-1B	Table Nut / Tischmutter / Écrou de table		1
613-2	JMD45PF-613-2	Washer / Unterlegscheibe / Rondelle	M5	1
613-3	JMD45PF-613-3	Cheese Head Mach Screw / Zylinderkopf-Maschinenschraube / Vis à métaux à tête de fromage	M5x16	1
616A	JMD45PF-616	Table Screw Assembly / Tischschraubenbaugruppe / Assemblage de vis de table	31L	1
616-1	JMD45PF-616-1	Table Screw / Tischschraube / Vis de table	31L	1
616-2	JMD45PF-616-2	Bearing / Lager / Roulement		2
616-3	JMD45PF-616-3	Right Flange / Rechter Flansch / Bride droite	ø 17	1
616-4	JMD45PF-616-4	Graduated Dial / Graduiertes Zifferblatt / Cadran gradué		1
616-5	JMD45PF-616-5	Dial Clutch / Zifferblattkupplung / Embrayage à cadran	ø 17	1
616-6	JMD45PF-616-6	Pin / Stift / Broches	ø 5x38	1
617	JMD45PF-617	Link Screw / Verbindungsschraube / Vis de liaison		2
618	JMD45PF-618	Limit Plate / Begrenzungsplatte / Plaque de limite		2
619	JMD45PF-619	Rivet / Niete / Rivets	ø 2	4
620	JMD45PF-620G	Center Base / Mittelbasis / Base centrale	30L	1
621	JMD45PF-621	Anti-dust Plate / Staubschutzplatte / Plaque Anti-poussière		1
622	JMD45PF-622	Anti-dust Plate Set / Staubschutzplattensatz / Jeu de plaques anti-poussière		1
623	JMD45PF-623	Gib Strip / Keilleisten / Bande de Gib	30L	1
624	JMD45PF-624	Gib Strip / Keilleisten / Bande de Gib		1
625	JMD45PF-625	Movable Fixed Block / Beweglicher fester Block / Bloc fixe mobile		1
626	JMD45PF-626	Hex. Socket Head Screw / Verhexen. Innensechskantschraube / Hex. Vis à tête creuse	5/16"x1/2"	4
627	JMD45PF-627	Gib Strip Bolt / Keilleistenbolzen / Boulon de bande de lardon		2
628	JMD45PF-628	Bushing / Buchse / Douille		4
629	JMD45PF-629	Grip / Griff / Poignée		2
630	JMD45PF-630	T Screw / T Schraube / T Vis		2
631	JMD45PF-631	Hex. Socket Head Screw / Verhexen. Innensechskantschraube / Hex. Vis à tête creuse	5/16"x1"	2
632	JMD45PF-632	Spring Washer / Federscheibe / Rondelle de ressort	5/16"	3
633	JMD45PF-633	Hex. Socket Head Screw / Sechskant Innensechskantschraube / Hex. Vis à tête creuse	5/16"x2-1/4"	1
634A	JMD45PF-634	Acme Nut Assembly / Acme-Mutterbaugruppe / Acme Ensemble d'écrou		1
634-1	JMD45PF-634-1	Acme Nut / Acme-Mutter / Écrou Acme		1

## PART LIST / ERSATZTEILLISTE / LISTE DES PIÈCES DÉTACHÉES

**JMD-45PFD-T**

Index No.	Part No.	Description	Size	Qty.
634-2	JMD45PF-634-2	Spring Washer / Federscheibe / Rondelle de ressort	M5	1
634-3	JMD45PF-634-3	Hex. Socket Head Screw / Verhexen. Innensechskantschraube / Hex. Vis à tête creuse	M5x16	1
635	JMD45PF-635G	Swivel Base / Drehsockel / Base pivotante		1
636A	JMD45PF-636	Acme Screw Assembly / Acme-Schraubenbaugruppe / Ensemble de vis Acme		1
636-1	JMD45PF-636-1	Acme Screw / Acme-Schraube / Vis Acme		1
636-2	JMD45PF-636-2	Bearing / Lager / Roulement		1
636-3	JMD45PF-636-3G	Square Flange / Vierkantflansch / Bride carrée	ø 17	1
636-4	JMD45PF-636-4	Graduated Dial / Skaleneinteilung / Cadran gradué		1
636-5	JMD45PF-636-5	Dial Clutch / Wahlkupplung / Embayage à cadran	ø 17	1
636-6	JMD45PF-636-6	Pin / Stift / Broches	ø 5x38	1
637	JMD45PF-637	Plug / Stecker / Fiche	1/4"x3/8"	1
638	365534	Vise / Schraubstock / Étau		1

## EXPLOSION DRAWING / ERSATZTEILZEICHNUNG / VUE ÉCLATÉE

**JMD-45PFD-T**

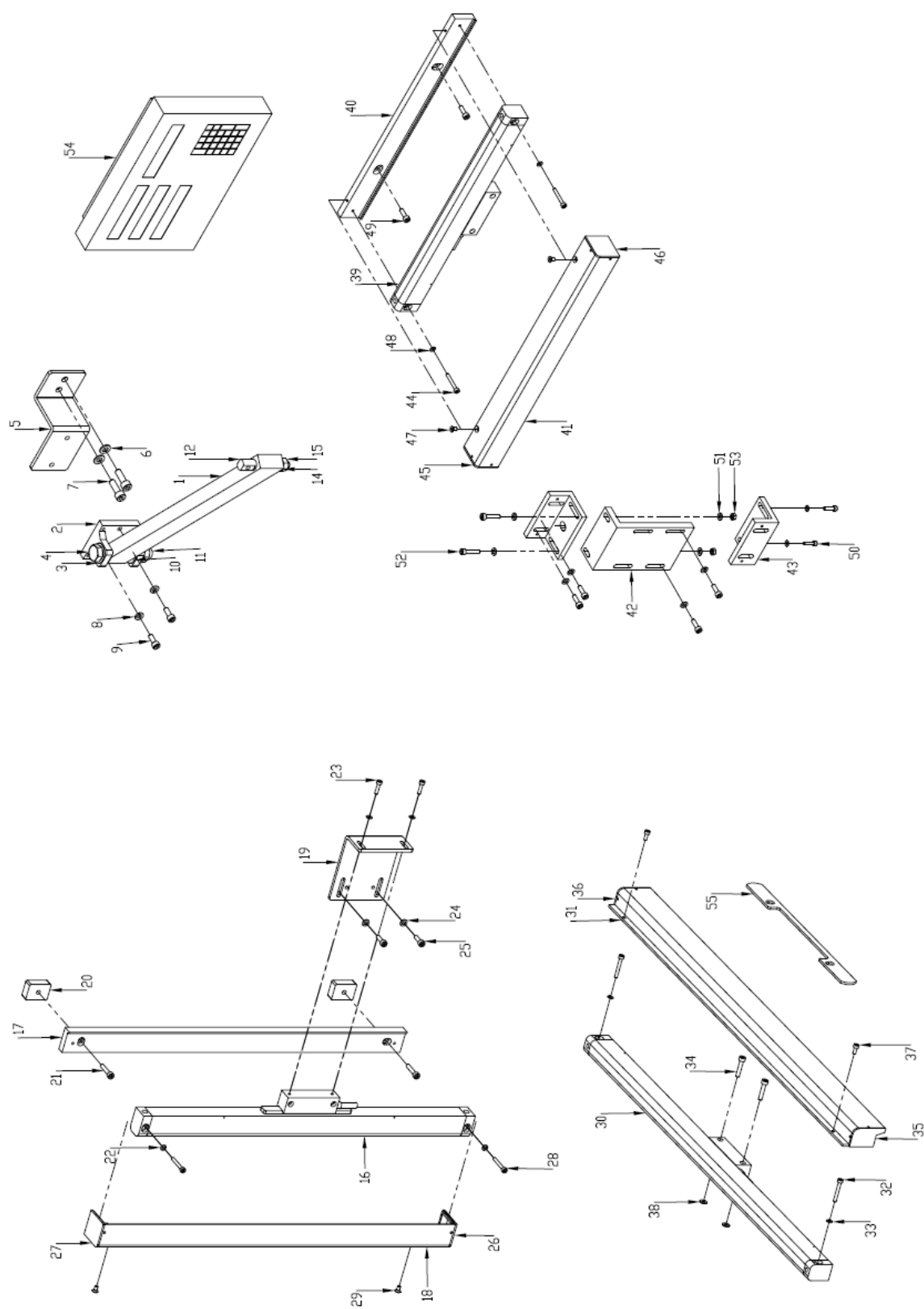
## PART LIST / ERSATZTEILLISTE / LISTE DES PIÈCES DÉTACHÉES

## JMD-45PFD-T

Index No.	Part No.	Description	Size	Qty.
40	JMD45PF-40E	Electric Box Assembly (include #40-1 to #40-27) / Baugruppe Schaltkasten (einschließlich #40-1 bis #40-27) / Ensemble de boîte électrique (comprend #40-1 à #40-27)		1
40-1	JMD45PF-40-1	Box Base / Kastensockel / Base de la boîte	M4x15	1
40-2	JMD45PF-40-2	Box Cover / Kastendeckel / Couvercle de la boîte		1
40-3	JMD45PF-40-3	Cross Round Head Screw / Kreuzrundkopfschraube / Vis à tête ronde cruciforme		4
40-4	JMD45PF-40-4	Push Button Switch / Druckknopfschalter / Interrupteur à bouton-poussoir	NPB-FIG1A	1
40-5	JMD45PF-40-5	Push Button Switch / Druckknopfschalter / Interrupteur à bouton-poussoir	NPB-FIR1B	1
40-6	JMD45PF-40-6	Emergency Button Switch / Not-Aus-Schalter / Interrupteur à bouton d'urgence	KEDU HY-57B	1
40-7	JMD45PF-40-7	Power Indicator Lamp / Betriebsanzeigelampe / Témoin d'alimentation	NPL-W	1
40-8	JMD45PF-40-8	Select Switch / Wahlschalter / Sélecteur		1
40-9	JMD45PF-40-9	Base Plate / Grundplatte / Plaque de base		1
40-10	TS-081C022	Machine Screw / Akkuschrauber / Vis à métaux	#10x3/8"	8
40-11	JMD45PF-40-11	Transformer / Transformator / Transformateur	20VA, 0.7Kg	1
40-12	TS-081C022	Machine Screw / Akkuschrauber / Vis à métaux	#10x3/8"	2
40-13	JMD45PF-40-13	Fixed Plate / Feste Platte / Plaque fixe		1
40-14	JMD45PF-40-14	Fuse Block / Sicherungskasten / Bloc de fusibles	281-611	1
40-15	JMD45PF-40-15	Fuse / Sicherung / Fusible	2A	1
40-16	JMD45PF-40-16	Bracket / Halterung / Support		1
40-17	TS-081C022	Machine Screw / Akkuschrauber / Vis à métaux	#10x3/8"	2
40-18	JMD145PF-40-18	Magnetic Contactor / Magnetschutz / Contacteur magnétique	C-06D10A7	1
40-19	JMD45PF-40-19	Overload Protection / Überlastschutz / Protection contre les surcharges	2.4-3.6A	1
40-20	TS-081C022	Machine Screw / Akkuschrauber / Vis à métaux	#10x3/8"	2
40-21	JMD45PF-40-21	Terminal Block / Klemmenblock / Bornier	264-364	1
40-22	JMD45PF-40-22	Cable Clamping / Kabelklemme / Serrage du câble	PG11	3
40-23	JMD45PF-40-23	Cable Clamping / Kabelklemme / Serrage du câble	PG13.5	1
40-24	JMD45PF-40-24E	Motor Cable / Motorkabel / Câble moteur		1
40-25	JMD45PF-40-25E	Working Lamp Cable / Kabel für Arbeitsleuchte / Câble de lampe de travail		1
40-26	JMD45PF-40-26E	Power Cable / Stromkabel / Câble d'alimentation		1
40-27	JMD45PF-40-27E	Micro Switch Cable / Kabel für Mikroschalter / Câble micro-interrupteur		1



## EXPLOSION DRAWING / ERSATZTEILZEICHNUNG / VUE ÉCLATÉE

**JMD-45PFD-T**

## PART LIST / ERSATZTEILLISTE / LISTE DES PIÈCES DÉTACHÉES

## JMD-45PFD-T

Index No.	Part No.	Description	Size	Qty.
1	2434046B	Radial Arm / Radialer Arm / Bras radial	400L	1
2	2434047B	Radial Arm Bracket / Radialarmhalterung / Bras radial Support		1
3	HW023	Washer / Unterlegscheibe / Rondelle	M10x23x2t	2
4	HS165	Hex. Head Bolt / Sechskant. Kopf Schraube / Boulon à tête hexagonale Tête hexagonale	M14x90L	1
5	2434037A	Bracket Fixed base / Halterung Feste Basis / Support Base fixe		1
6	HW005	Washer / Unterlegscheibe / Rondelle	15.5x8.4x1.6T	2
7	HS243	Hex. Socket Head Screw / Sechskant. Innensechskantschraube / Vis à tête hexagonale Vis à tête creuse	M8x25L	2
8	HW104	Spring Washer / Federscheibe / Rondelle élastique	M6	2
9	HS328	Hex. Socket Head Screw / Sechskant. Innensechskantschraube / Vis à tête hexagonale Vis à tête creuse	M6x16L	2
10	HW023	Washer / Unterlegscheibe / Rondelle	M10x23x2t	2
11		Domed Cap Nut / Halbrundmutter / Écrou à tête bombée	M14	1
12	2434080	Pivot Shaft / Zapfenwelle / Arbre pivot		1
13	HW006	Washer / Unterlegscheibe / Rondelle	M10x18x2T	1
14	HW106	Lock Washer / Unterlegscheibe / Rondelle de blocage	M10	1
15	HN006	Hex. Nut / Sechskant. Mutter / Écrou hexagonal Hex.	M10	1
16		Linear Scale / Linearmaßstab / Échelle linéaire	420mm	1
17	2434039B	Z-Aix Fixed Block / Z-Aix Festblock / Bloc fixe Z-Aix		1
18	2434045B	Cover / Abdeckung / Couvercle		1
19	2434036B	Bracket / Halterung / Support	T=4mm	1
20	2434038	Fixed Block / Fester Block / Bloc fixe		2
21	HS221	Hex. Socket Head Screw / Sechskant. Innensechskantschraube / Vis à tête hexagonale Vis à tête creuse	M5x25L	2
22	HW002	Washer / Unterlegscheibe / Rondelle	M4x8x0.8T	4
23	HS336	Hex. Socket Head Screw / Sechskant. Innensechskantschraube / Vis à tête hexagonale Vis à tête creuse	M4x16L	2
24	HW003	Washer / Unterlegscheibe / Rondelle	M5.3X10X1T	2
25	HS219	Hex. Socket Head Screw / Sechskant. Innensechskantschraube / Vis à tête hexagonale Vis à tête creuse	M5.3X10X1T	2
26		Cover L / Abdeckung L / Couvercle L		1
27		Cover R / Deckel R / Couvercle R		1
28	HS212	Hex. Socket Head Screw / Sechskant. Innensechskantschraube / Vis à tête hexagonale Vis à tête creuse	M4x30L	2
29	HD520	Flat head Screw / Flachkopfschraube / Vis à tête plate	M4x6L	2
30		Linear Scale / Linearmaßstab / Échelle linéaire	570mm	1
31	2434040B	Cover / Abdeckung / Couvercle		1
32	HS212	Hex. Socket Head Screw / Sechskant. Innensechskantschraube / Vis à tête hexagonale Vis à tête creuse	M4x30L	2
33	HW002	Washer / Unterlegscheibe / Rondelle	M4x8x0.8T	2
34	HS221	Hex. Socket Head Screw / Sechskant. Innensechskantschraube / Vis à tête hexagonale Vis à tête creuse	M5x25L	2
35		L Cover / L Abdeckung /Couvercle L		1
36		R Cover / R Abdeckung / Couvercle R		1
37	HS336	Hex. Socket Head Screw / Sechskant. Innensechskantschraube / Vis à tête hexagonale Vis à tête creuse	M4x16L	2
38		Washer / Unterlegscheibe / Rondelle	M5x10x1	2
39		Linear Scale / Linearmaßstab / Échelle linéaire	270mm	1
40	2434041B	Y-Aix Fixed Block / Y-Aix Festblock / Bloc fixe Y-Aix		1
41	2434042B	Cover / Abdeckung / Couvercle		1
42	2434084	Fixed Bracket / Fester Bügel / Support fixe		1
43	2434085	Fixed Bracket / Fester Bügel / Support fixe		2
44	HS212	Hex. Socket Head Screw / Sechskant. Innensechskantschraube / Vis à tête hexagonale Vis à tête creuse	M4x30L	2

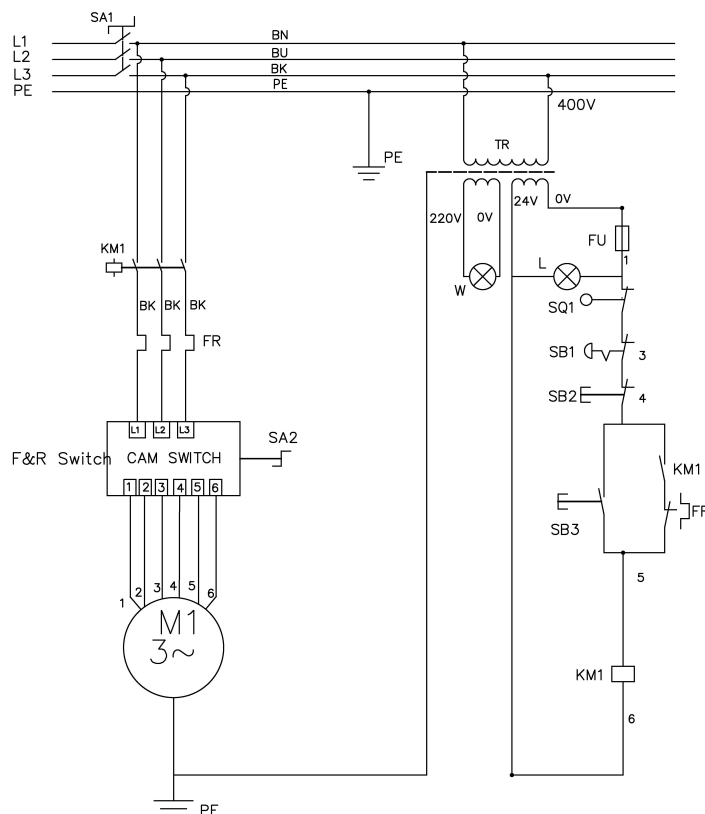
## PART LIST / ERSATZTEILLISTE / LISTE DES PIÈCES DÉTACHÉES

**JMD-45PFD-T**

Index No.	Part No.	Description	Size	Qty.
45		Cover L / Abdeckung L / Couvercle L		1
46		Cover R / Deckel R / Couvercle R		1
47	HD520	Flat head Screw / Flachkopfschraube / Vis à tête plate	M4x6L	2
48	HW002	Washer / Unterlegscheibe / Rondelle	M4x8x0.8T	4
49	HS219	Hex. Socket Head Screw / Sechskant. Innensechskantschraube / Vis à tête hexagonale Vis à tête creuse	M5x16L	6
50	HS336	Hex. Socket Head Screw / Sechskant. Innensechskantschraube / Vis à tête hexagonale Vis à tête creuse	M5x16L	2
51		Washer / Unterlegscheibe / Rondelle	M5x10x1	8
52	HS221	Hex. Socket Head Screw / Sechskant. Innensechskantschraube / Vis à tête hexagonale Vis à tête creuse	M5x25L	2
53	HN003	Hex. Nut / Sechskant. Mutter / Écrou hexagonal Hex.	M5	2
54		Displayer / Anzeigegerät / Présentoir		1
55	6217A	Anti-Dust Plate / Anti-Staub-Platte / Plaque anti-poussière	T=3mm	1

## ELECTRICAL DIAGRAM / ELEKTRISCHE ANLAGE / SCHÉMA ÉLECTRIQUE

3~400V, 50Hz



W: Work lamp  
 L: Signal  
 M1: Motor  
 TR: Transformer  
 FU: Fuse  
 SB1: Emergency Stop Switch  
 SB2: Off switch  
 SB3: Start Switch  
 SA1: Main Power Switch  
 SA2: F&R 2/4P Switch  
 KM1: Contactor for Motor  
 FR: Overload  
 SQ1: Limit switch

	colour of strands	Litzenfarben	couleur des cordons
BK	black	schwarz	noir
BU	blue	blau	bleu
BN	brown	braun	brun
GY	grey	grau	gris
GNYE	green-yellow	grün-gelb	vert-jaune

	meaning of symbol	Bedeutung der Zeichen	interprétation
M	main motor	Hauptmotor	moteur principal
L	indicator lamp	Anzeigelampe	lampe d'indication
S1	emergency stop switch	Not-Aus Schalter	arrêt d'urgence
S2	off switch	Aus-Schalter	bouton arrêt
S3	start switch	Ein-Schalter	bouton marche
S4	work lamp switch contactor for main motor	Maschinenleuchte-Schalter	contacteur lampe
KM1	contactor for main motor	Hauptschütz	contacteur moteur
F	fuse	Sicherung	fusible
W	work lamp	Maschinenleuchte	lampe
FR	overload cut-off	Überlastschutz	interrupteur surcharge
TR	transformer	Transformator	transformateur
SQ	limit switch	Positionsendschalter	micro
SA1	2/4p & F/R switch	2/4 Pol & V/R Schalter	bouton 2/4 p & d/g



## ENVIRONMENTAL PROTECTION

Protect the environment.

Your appliance contains valuable materials which can be recovered or recycled. Please leave it at a specialized institution.



This symbol indicates separate collection for electrical and electronic equipment required under the WEEE Directive (Directive 2012/19/EC) and is effective only within the European Union.

---

### UMWELTSCHUTZ

Schützen Sie die Umwelt!

Ihr Gerät enthält mehrere unterschiedliche, wiederverwertbare Werkstoffe.

Bitte entsorgen Sie es nur an einer spezialisierten Entsorgungsstelle.



Dieses Symbol verweist auf die getrennte Sammlung von Elektro- und Elektronikgeräten, gemäß Forderung der WEEE-Richtlinie (2012/19/EU). Diese Richtlinie ist nur innerhalb der Europäischen Union wirksam.

---

### PROTECTION DE L'ENVIRONNEMENT

Protégez l'environnement !

Votre appareil comprend plusieurs matières premières différentes et recyclables. Pour éliminer l'appareil usagé, veuillez l'apporter dans un centre spécialisé de recyclage des appareils électriques.



Ce symbole indique une collecte séparée des équipements électriques et électroniques conformément à la directive DEEE (2012/19/UE). Cette directive n'est efficace que dans l'Union européenne.



## WARRANTY / GARANTIE

TOOL FRANCE guarantees that the supplied product(s) is/are free from material defects and manufacturing faults.

This warranty does not cover any defects which are caused, either directly or indirectly, by incorrect use, carelessness, damage due to accidents, repairs or inadequate maintenance or cleaning as well as normal wear and tear.

Further details on warranty (e.g. warranty period) can be found in the General Terms and Conditions (GTC) that are an integral part of the contract.

These GTC may be viewed on the website of your dealer or sent to you upon request.

TOOL FRANCE reserves the right to make changes to the product and accessories at any time.

---

TOOL FRANCE garantiert, dass das/die von ihr gelieferte/n Produkt/e frei von Material- und Herstellungsfehlern ist.

Diese Garantie deckt keinerlei Mängel, Schäden und Fehler ab, die - direkt oder indirekt - durch falsche oder nicht sachgemäße Verwendung, Fahrlässigkeit, Unfallschäden, Reparaturen oder unzureichende Wartungs- oder Reinigungsarbeiten sowie durch natürliche Abnutzung durch den Gebrauch verursacht werden.

Weitere Einzelheiten zur Garan können den allgemeinen Geschäftsbedingungen (AGB) entnommen werden.

Diese können Ihnen auf Wunsch per Post oder Mail zugesendet werden.

TOOL FRANCE behält sich das Recht vor, jederzeit Änderungen am Produkt und am Zubehör vorzunehmen.

---

TOOL FRANCE garantit que le/les produit(s) fourni(s) est/sont exempt(s) de défauts matériels et de défauts de fabrication.

Cette garantie ne couvre pas les défauts, dommages et défaillances causés, directement ou indirectement, par l'utilisation incorrecte ou inadéquate, la négligence, les dommages accidentels, la réparation, la maintenance ou le nettoyage incorrects et l'usure normale.

Vous pouvez trouver de plus amples détails sur la garantie dans les conditions générales (CG).

Les CG peuvent être envoyées sur demande par poste ou par e-mail.

TOOL FRANCE se réserve le droit d'effectuer des changements sur le produit et les accessoires à tout moment.

# UK DECLARATION OF CONFORMITY

Edition March 2024

Product:

**MILL-DRILL MACHINES**

Model:

**JMD-45PFD-T**

Brand:

**PROMAC**

Manufacturer or authorized representative:

**TOOL FRANCE**

Unit 1a Stepnell Park

Off Lawford Road

Rugby

CV212UX

United Kingdom

We hereby declare that this product complies with the regulations:

**SUPPLY OF MACHINERY (SAFETY) REGULATIONS 2008**  
**ELECTROMAGNETIC COMPATIBILITY REGULATIONS 2016**

Designed in consideration of the standards:

**EN ISO 12100:2010**

**EN 13128:2001+A2:2009**

**EN 12717:2001+A1:2009**

**EN 60204-1:2006+A1:2009**

**EN 61000-6-2:2005**

**EN 61000-6-4:2007+A1:2011**

Responsible for the documentation / Dokumentations-Verantwortung / Responsable de la documentation :



**JÉRÔME GERMAIN**

GENERAL MANAGER

DIRECTEUR GÉNÉRAL

**N° de série / serial number :**

At lisses / Hergestellt in / Fait à Lisses

Date :

**CE-CONFORMITY DECLARATION  
CE-KONFORMITÄTSERKLÄRUNG  
DÉCLARATION DE CONFORMITÉ CE**

Edition March 2024

Product/Produkt/Produit:

Mill-Drill Machines / Bohr-Fräsmaschine / Perceuse fraiseuse

**JMD-45PFD-T**

Brand/Marke/Marque:

**PROMAC**

Manufacturer or authorized representative/Hersteller oder Bevollmächtigter/Fabricant ou son mandataire:

**TOOL FRANCE**

9 Rue des Pyrénées, 91090 LISSES, France

We hereby declare that this product complies with the regulations  
Wir erklären hiermit, dass dieses Produkt der folgenden Richtlinie entspricht  
Par la présente, nous déclarons que ce produit correspond aux directives suivantes

**2006/42/EC**

Machinery Directive / Maschinenrichtlinie / Directive Machines

**2014/30/EU**

electromagnetic compatibility / elektromagnetische Verträglichkeit / compatibilité électromagnétique

designed in consideration of the standards  
und entsprechend folgender zusätzlicher Normen entwickelt wurde  
et été développé dans le respect des normes complémentaires suivantes

**EN ISO 12100:2010**

**EN 13128:2001+A2:2009**

**EN 12717:2001+A1:2009**

**EN 60204-1:2006+A1:2009**

**EN 61000-6-2:2005**

**EN 61000-6-4:2007+A1:2011**

Original instruction manual / Original-Bedienungsanleitung / Notice d'instruction Originale  
Responsible for the documentation / Dokumentations-Verantwortung / Responsable de la documentation :



**JÉRÔME GERMAIN**  
GENERAL MANAGER  
DIRECTEUR GÉNÉRAL

**N° de série / serial number :**

At lisses / Hergestellt in / Fait à Lisses

Date :