

# PROMAC®

**GHB-1330**  
**GHB-1340A**

## METAL LATHES

Original:

**GB**  
**Operating Instructions**

Translations:

**D**  
**Gebrauchsanleitung**

**F**  
**Mode d'emploi**



# CE UK CA

**TOOL FRANCE S.A.S**

9 Rue des Pyrénées, 91090 LISSES, France  
[www.promac.fr](http://www.promac.fr)

2024-03

**CE-Conformity Declaration  
CE-Konformitätserklärung  
Déclaration de Conformité CE**

**Product / Produkt / Produit:**

Metal Lathe  
Drehbank  
Tour à métaux

**GHB-1330 / GHB-1340A**

**Brand / Marke / Marque:**

**PROMAC**

**Manufacturer or authorized representative / Hersteller oder Bevollmächtigter / Fabricant ou son mandataire:**

TOOL FRANCE S.A.S  
9 Rue des Pyrénées, 91090 LISSES, France

We hereby declare that this product complies with the regulations  
Wir erklären hiermit, dass dieses Produkt der folgenden Richtlinie entspricht  
Par la présente, nous déclarons que ce produit correspond aux directives suivantes

**2006/42/EC**

Machinery Directive  
Maschinenrichtlinie  
Directive Machines

**2014/30/EU**

electromagnetic compatibility  
elektromagnetische Verträglichkeit  
compatibilité électromagnétique

designed in consideration of the standards  
und entsprechend folgender zusätzlicher Normen entwickelt wurde  
et été développé dans le respect des normes complémentaires suivantes

**EN ISO 12100:2010**

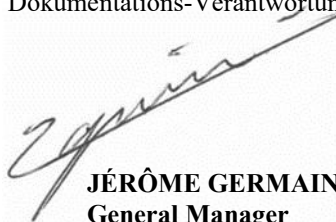
**EN ISO 23125:2015**

**EN 60204-1:2018**

**EN IEC 61000-6-2:2019**

**EN IEC 61000-6-4:2019**

Original instruction manual / Original-Bedienungsanleitung / Notice d'instruction Originale  
Responsible for the documentation / Dokumentations-Verantwortung / Responsable de la documentation :



**JÉRÔME GERMAIN**  
General Manager  
Directeur Général

**At lisse / Hergestellt in / Fait à Lisse**

**TOOL FRANCE S.A.S – 9 rue des Pyrénées – 91090 LISSES (France)**  
Mail : [contact@toolfrance.com](mailto:contact@toolfrance.com) - [www.toolfrance.com](http://www.toolfrance.com) Edition January 2024

# UK Declaration of Conformity

Product:  
**Metal Lathe**

Model:  
**GHB-1330 / GHB-1340A**

Brand:  
**PROMAC**

Manufacturer or authorized representative:

**TOOL FRANCE S.A.S**  
Unit 1a Stepnell Park  
Off Lawford Road  
Rugby  
CV21 2UX  
United Kingdom

We hereby declare that this product complies with the regulations:

**Supply of Machinery (Safety) Regulations 2010**  
**Electromagnetic Compatibility Regulations 2018**

designed in consideration of the standards:

**EN ISO 12100:2010**  
**EN ISO 23125: 2015**  
**EN 60204-1:2018**  
**EN IEC 61000-6-2:2019**  
**EN IEC 61000-6-4:2019**

Responsible for the Documentation:

TOOL FRANCE S.A.S



**JÉRÔME GERMAIN**  
General Manager  
Directeur Général

At lisse / Hergestellt in / Fait à Lisse

**TOOL FRANCE S.A.S – 9 rue des Pyrénées – 91090 LISSES (France)**  
Mail : [contact@toolfrance.com](mailto:contact@toolfrance.com) - [www.toolfrance.com](http://www.toolfrance.com) Edition January 2024

# GB - ENGLISH

## Operating Instructions

Dear Customer,

Many thanks for the confidence you have shown in us with the purchase of your new PROMAC-machine. This manual has been prepared for the owner and operators of a **PROMAC GHB-1330/GHB-1340A** metal lathe to promote safety during installation, operation and maintenance procedures. Please read and understand the information contained in these operating instructions and the accompanying documents. To obtain maximum life and efficiency from your machine, and to use the machine safely, read this manual thoroughly and follow instructions carefully.

### **...Table of Contents**

#### **1. Declaration of conformity**

#### **2. Warranty**

#### **3. Safety**

Authorized use

General safety notes

Remaining hazards

#### **4. Machine specifications**

Technical data

Noise emission

Contents of delivery

Machine description

#### **5. Transport and start up**

Transport and installation

Assembly

Mains connection

Initial lubrication

Starting operation

Break in procedure

#### **6. Machine operation**

Controls

Chucking

Tool setup

Spindle speed selection

Turning with auto feed

Thread cutting

Drilling operation

#### **7. Setup and adjustments**

Change gear setup

Turning between centres

Taper turning with tailstock

Taper turning with top slide

Three jaw universal chuck

Four jaw independent chuck

Live centre

Steady and follow rest

Bed gap removal

#### **8. Maintenance and inspection**

Annual lubrication

Weekly lubrication

Daily lubrication

Slide adjustments

Saddle adjustment

Shear pin replacement

Headstock alignment

#### **9. Trouble shooting**

#### **10. Environmental protection**

#### **11. Available accessories**

### **1. Declaration of conformity**

On our own responsibility we hereby declare that this product complies with the regulations\* listed on page 2. Designed in consideration with the standards\*\*.

### **2. Warranty**

TOOL FRANCE S.A.S guarantees that the supplied product(s) is/are free from material defects and manufacturing faults.

This warranty does not cover any defects which are caused, either directly or indirectly, by incorrect use,

carelessness, damage due to accidents, repairs or inadequate maintenance or cleaning as well as normal wear and tear.

Further details on warranty (e.g. warranty period) can be found in the General Terms and Conditions (GTC) that are an integral part of the contract.

These GTC may be viewed on the website of your dealer or sent to you upon request.

TOOL FRANCE S.A.S reserves the right to make changes to the product and accessories at any time.

### **3. Safety**

#### **3.1 Authorized use**

This metal lathe is designed for turning and drilling machinable metal and plastic materials only. Machining of other materials is not permitted and may be carried out in specific cases only after consulting with the manufacturer.

**Never cut magnesium-**

## high danger to fire!

The workpiece must allow to safely be loaded and clamped.

The proper use also includes compliance with the operating and maintenance instructions given in this manual.

The machine must be operated only by persons familiar with its operation and maintenance and who are familiar with its hazards.

The required minimum age must be observed.

The machine must only be used in a technically perfect condition.

When working on the machine, all safety mechanisms and covers must be mounted.

In addition to the safety requirements contained in these operating instructions and your country's applicable regulations, you should observe the generally recognized technical rules concerning the operation of metalworking machines.

Any other use exceeds authorization.

In the event of unauthorized use of the machine, the manufacturer renounces all liability and the responsibility is transferred exclusively to the operator.

### 3.2 General safety notes

Metalworking machines can be dangerous if not used properly. Therefore the appropriate general technical rules as well as the following notes must be observed.

Read and understand the entire instruction manual before attempting assembly or operation.

Keep this operating instruction close by the machine, protected from dirt and humidity, and pass it over to the new owner if you part with the tool.

No changes to the machine may be made.

Daily inspect the function and existence of the safety appliances before you start the machine.

Do not attempt operation in this case, protect the machine by unplugging the power cord.

Remove all loose clothing and confine long hair.

Before operating the machine, remove tie, rings, watches, other jewellery, and roll up sleeves above the elbows.

Wear safety shoes; never wear leisure shoes or sandals.

Always wear the approved working outfit.

Do not wear gloves.

Wear goggles when working

Install the machine so that there is sufficient space for safe operation and work piece handling.

Keep work area well lighted.

The machine is designed to operate in closed rooms and must be placed stable on firm and levelled ground.

Make sure that the power cord does not impede work and cause people to trip.

Keep the floor around the machine clean and free of scrap material, oil and grease.

Stay alert!

Give your work undivided attention. Use common sense. Do not operate the machine when you are tired.

Keep an ergonomic body position.

Maintain a balanced stance at all times.

Do not operate the machine under the influence of drugs, alcohol or any medication. Be aware that medication can change your behaviour.

Never reach into the machine while it is operating or running down.

Never leave a running machine unattended. Before you leave the workplace switch off the machine.

Keep children and visitors a safe distance from the work area.

Do not operate the electric tool near inflammable liquids or gases.

Observe the fire fighting and fire alert options, for example the fire extinguisher operation and place.

Do not use the machine in a damp environment and do not expose it to rain.

Work only with well sharpened tools.

Always close the chuck guard and pulley cover before you start the machine.

Remove the chuck key and wrenches before machine operation.

Specifications regarding the maximum or minimum size of the work piece must be observed.

Do not remove chips and work piece parts until the machine is at a standstill.

Do not stand on the machine.

Connection and repair work on the electrical installation may be carried out by a qualified electrician only.

Have a damaged or worn power cord replaced immediately.

Never place your fingers in a position where they could contact any rotating parts or chips.

Check the safe clamping of the work piece before starting the machine.

Don't exceed the clamping range of the chuck.

Work pieces longer than 3 times the chucking diameter need to be supported by the tailstock or a steady rest.

Avoid small chucking diameters at big turning diameters.

Avoid short chucking lengths.

Avoid small chucking contact.

Never exceed the max speed limitation of the work holding device.

Choose a small spindle speed when working unbalanced work pieces and for threading and tapping operations.

Any work piece stock extending the rear end of the headstock must be covered on its entire length. High danger of injury!

Long work pieces may need a steady rest support. A long and thin work piece can suddenly bend at high speed rotation.

Never move the tailstock or tailstock quill while the machine is running.

Remove cutting chips with the aid of an appropriate chip hook when the machine is at a standstill only.

Never stop the rotating chuck or work piece with your hands.

Measurements and adjustments may be carried out when the machine is at a standstill only.

Setup, maintenance and repair work may only be carried out after the machine is protected against accidental starting by pulling the mains plug.

### 3.3 Remaining hazards

When using the machine according to regulations some remaining hazards may still exist.

The rotating work piece and chuck can cause injury.

Thrown and hot work pieces and cutting chips can lead to injury.

Chips and noise can be health hazards. Be sure to wear personal protection gear such as safety goggles and ear protection.

The use of incorrect mains supply or a damaged power cord can lead to injuries caused by electricity.

## 4. Machine specifications

### 4.1 Technical data

#### GHB-1330:

Swing over bed	330mm
Swing over cross slide	197mm
Centre distance	760mm
Width of bed	186mm
Overall	1650 x 760 x 1200mm
Net weight	600 kg

#### GHB-1340A:

Swing over bed	330mm
Swing over bed gap	476mm
Swing over cross slide	197mm
Centre distance	1015mm
Width of bed	186mm
Overall	1905 x 760 x 1200mm
Net weight	650 kg

#### GHB-1330/ GHB-1340A:

Spindle taper	MT-5
Spindle nose DIN 55029 (Camlock)	D1-4
Hole through spindle	∅38 mm
Spindle speeds...8	70-2000 rpm

Steady rest capacity	6 – 67mm
Follow rest capacity	6 – 70mm
Tailstock ram travel	95mm
Tailstock quill diameter	32mm
Tailstock taper	MT-3
Cross slide travel	160mm
Top slide travel	68mm
Tool size max	16 x 16 mm
Lead screw pitch	4mm
Longitudinal feeds..40	0,037–0,989mm/r
Cross feeds...40	0,01–0,268mm/r
Metric threads...23	0,45–10mm/r
Inch threads...32	3-1/4– 80 TPI
Mains	400V ~3L/PE 50Hz
Output power	1,5 kW (2 HP) S1
Reference current	4 A
Extension cord (H07RN-F):	4x1,5 <sup>2</sup>
Installation fuse protection	16A

### 4.2 Noise emission

Acoustic pressure level (according to EN ISO 11202):

Idling at maximum speed LpA 78,4 dB(A)

The specified values are emission levels and are not necessarily to be seen as safe operating levels.

As workplace conditions vary, this information is intended to allow the user to make a better estimation of the hazards and risks involved only.

### 4.3 Content of delivery

Machine cabinet stand
Chip tray
Splash guard
160mm 3-jaw universal chuck
200mm 4-jaw independent chuck
300mm faceplate
Four way tool post
Steady rest
Follow rest
Set of change gears
2 pcs. MT3 fixed centres
MT3/MT5 centre sleeve
Threading dial
Operating tools in tool box
Oil can

- Lifting hook
- Operating manual
- Spare parts list.

#### 4.4 Machine description

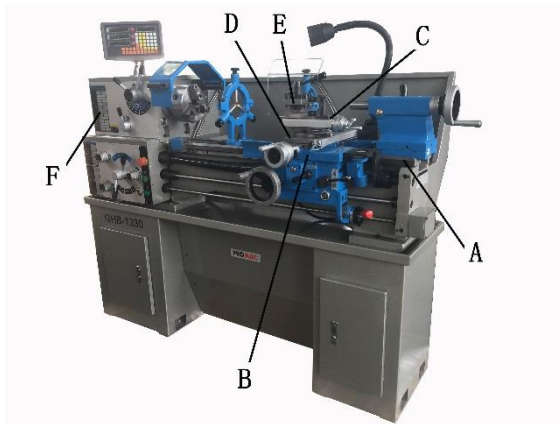


Fig 1

- A....Lathe bed
- B....Carriage
- C....Top slide
- D....Cross slide
- E....Four-way tool post
- F....Headstock

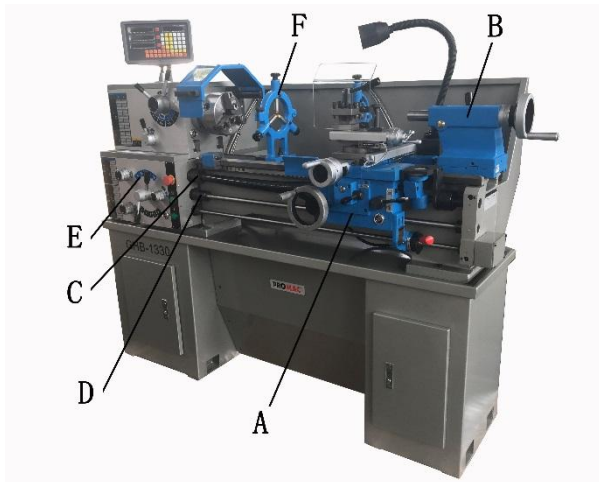


Fig 2

- A....Apron
- B....Tailstock
- C....Lead screw
- D....Feed rod
- E....Gear box
- F....Steady rest
- G....Follow rest

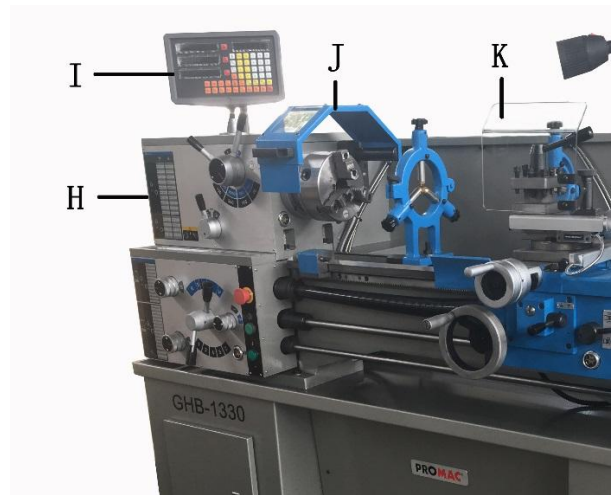


Fig 3

- H....Pulley cover
- I.....3-axis digital readout (option)
- J.....Chuck guard
- K....Tool post guard

#### 5. Transport and start up

##### 5.1 Transport and installation

The machine will be delivered in a closed crate.

For transport use a forklift or hand trolley. Make sure the machine does not tip or fall off during transport.

The machine is designed to operate in closed rooms and can be bolted to the floor.

##### 5.2 Assembly

If you notice transport damage while unpacking, notify your supplier immediately. Do not operate the machine!

Dispose of the packing in an environmentally friendly manner.

Clean all rust protected surfaces with petroleum, diesel oil or a mild solvent.

Unbolt the lathe from the shipping crate bottom.

Move the carriage and tailstock to the tailstock end of the bed.

Assemble lifting hook (parts fastened to the crate bottom) to lift the lathe

(see Fig 4)



**Fig 4**

**Caution:**

**The machine is heavy!**

**GHB-1330.....600kg**

**GHB-1340A....650kg**

**Assure the sufficient load capacity and proper condition of your lifting devices.**

**Never step underneath suspended loads.**

Use a machinist's precision level on the bed ways and check to make sure that the lathe bed is level.

Loosen mounting bolts, shim and tighten mounting bolts if needed.

The lathe bed must be level to be accurate.

**5.3 Mains connection**

Mains connection and any extension cords used must comply with applicable regulations.

The mains voltage must comply with the information on the machine licence plate.

The mains connection must have a 16 A surge-proof fuse.

Only use power cords marked H07RN-F

Connections and repairs to the electrical equipment may only be carried out by qualified electricians.

Connection takes place on the appropriate terminal in the electrical cabinet on the back of the machine.

**5.4 Initial lubrication**

The lathe must be serviced at all lubrication points and all reservoirs filled to operating level before the lathe is placed into service!

Failure to comply may cause serious damage to the lathe! (see chapter 8 for lubrication)

**After one month of operation the oil must be changed on headstock, gearbox and apron.**

**5.5 Starting operation**

**Before starting the machine check the proper chucking (see chapter 6.2)**

You can start the machine with the forward/ reverse lever (I, Fig 6).

Push the lever

- right and down for forward rotation

-right and up for backward rotation.

Return the lever to its 0-position to stop the machine.

The spindle jog button (B, Fig 5) advances the spindle momentarily.

The emergency stop button (A, Fig 5) stops all machine functions.

**Attention:**

Lathe still has electric power.

Turn emergency stop button clockwise to reset.

**Note:**

The pulley cover (H, Fig 3) and the chuck guard (J) are limit switch protected. They must be closed to operate the machine.

**5.6 Break in procedure:**

To allow time for the gears and bearings to break-in and run smoothly, do not run the lathe above 755 rpm for the first 6 hours.

**6. Machine operation**

**Warning:**

**Setup work may only be carried out after the machine is protected against accidental starting.**

**With pressed emergency stop button.**

Measurements and adjustments may be carried out when the machine is at a standstill only.

Check the save clamping of the work piece before starting the machine.

Never stop the rotating chuck or work piece with your hands.

Never place your fingers in a position where they could contact any rotating parts or chips.

Remove cutting chips with the aid of an appropriate chip hook when the machine is at a standstill only.

Always close the chuck guard and pulley cover before you start the machine.

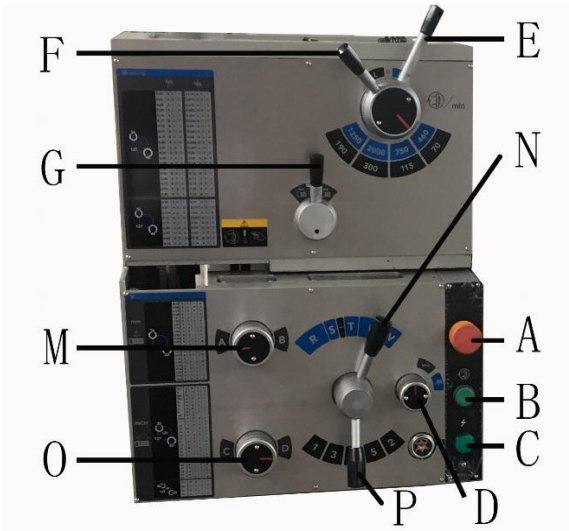
Choose a small spindle speed when working unbalanced work pieces and for threading and tapping operations.

Never cut magnesium-  
high danger to fire!

**In case of danger push the emergency stop button.**



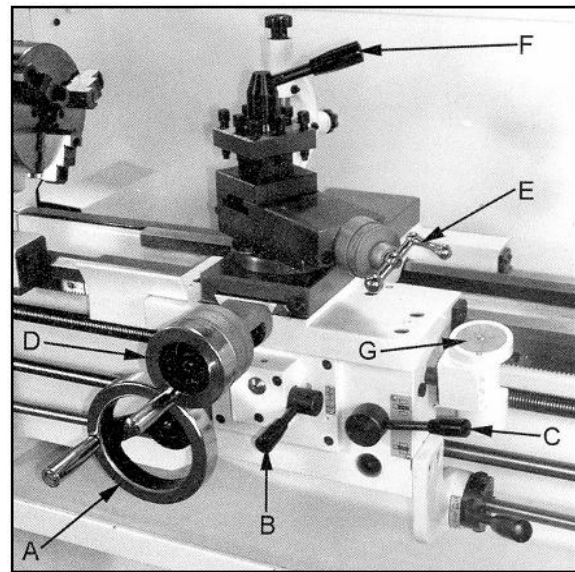
**6.1 Controls**



**Fig 5**

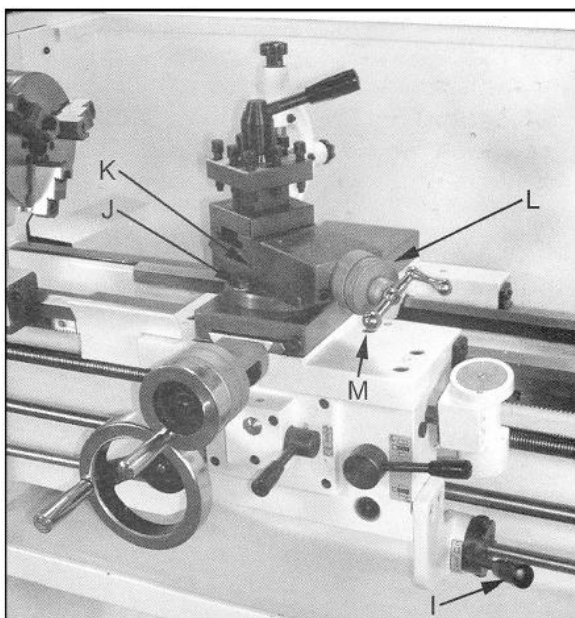
- A....Emergency stop button
- B....Spindle jog button
- C....Power indicator light
- D....Feed rod On/ Off
- E....Spindle High speed/ Low speed
- F....Spindle 4 speed select lever
- G....Feed reversing lever
- M....Feed rate selector
- N....Feed rate selector, lead screw Off ("P")
- O....Feed rate selector
- P....Feed rate selector

- I....Forward/ Reverse On/ Off lever
- J....Top slide rotation lock nuts
- K....Top slide lock
- L....Cross slide lock

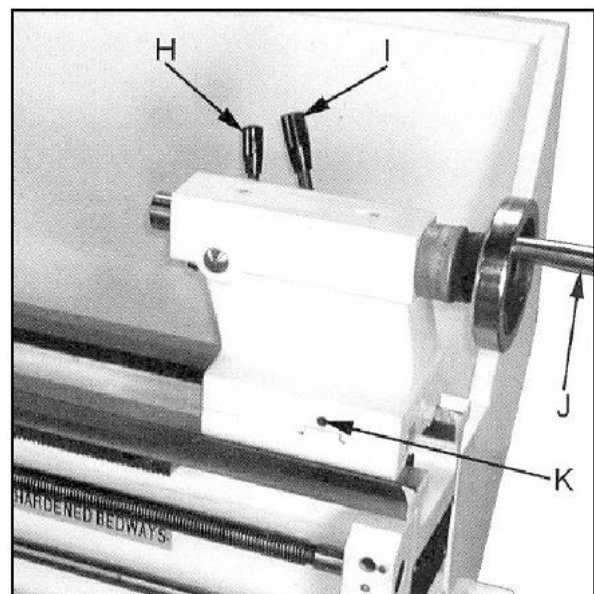


**Fig 7**

- A....Longitudinal Travel Hand Wheel
- B....Automatic feed lever
- C....Half-Nut Lever (thread cutting)
- D....Cross Slide Hand Wheel
- E....Top Slide Hand Wheel
- F....Tool post clamping lever
- G....Threading dial



**Fig 6**



**Fig 8**

- H....Tailstock Spindle Locking Lever
- I.....Tailstock Locking lever
- J....Tailstock Spindle Hand Wheel
- K....Tailstock off-set adjustment

## 6.2 Chucking

### Chuck removal:

Before removing the chuck from the spindle, place board across the bed ways under the chuck.

Support the chuck while turning three cam locks ¼ turn counter-clockwise.

Line up the two marks (A, Fig 9) for removal.

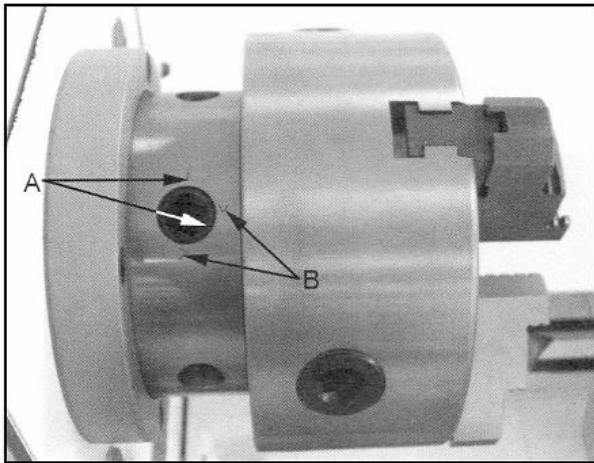


Fig 9

Carefully remove the chuck from the spindle.

Clean all contact surfaces.

Lift the chuck up to the spindle nose and press onto the spindle.

Tighten in place by turning the cam locks ¼ turn clockwise.

The index mark (A) on the camlock should be between the two indicator arrows (B).

If not, adjust the cam studs by turning them in or out by one turn as needed.

Tighten cam locks.

### Attention:

Never exceed the max speed limitation of the work holding device.

Jaw teeth and scroll must always be fully engaged. Otherwise chuck jaws may break and fly off in rotation (Fig 10).

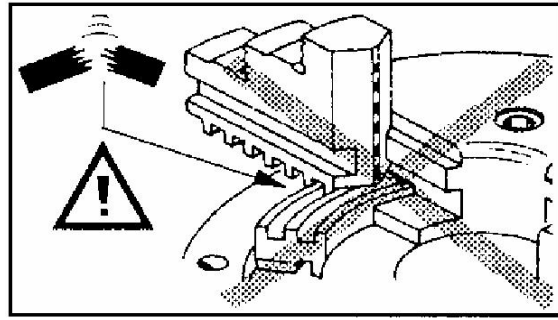


Fig 10

Avoid long workpiece extensions. Parts may bend (Fig 11) or fly off (Fig 12).

Use tailstock or rests to support.

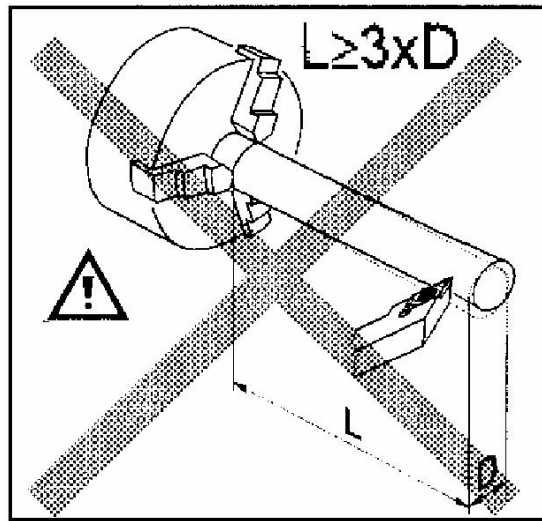


Fig 11

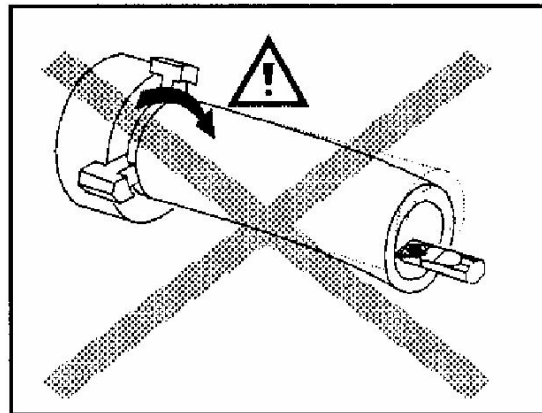
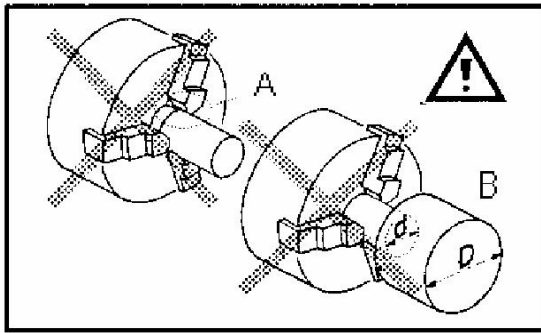


Fig 12

Avoid short clamping contact (A, Fig 13) or clamping on a minor part diameter (B).



**Fig 13**

Face locate the workpiece for added support.

### 6.3 Tool setup

The cutting angle is correct when the cutting edge is in line with the centre axis of the work piece. Use the point of the tailstock centre as a gauge and shims under the tool to obtain the correct centre height.

Use a minimum of two clamping screws when installing the cutting tool to the four way tool post.

Avoid big tool extensions.

### 6.4 Spindle speeds selection

The correct spindle speed depends on the type of machining, the cutting diameter, the material to be machined and the cutting tool.

These are recommended max. speeds for a 50mm cutting diameter with carbide (HM) tools:

Aluminium, brass	1500 RPM
Cast iron	1000 RPM
Mild steel	800 RPM
High carbon steel	600 RPM
Stainless steel	300 RPM

If high speed steel (HSS) tools are used about 5 times lower speeds must be chosen.

Generally speaking, the larger in relation the cutting diameter, the smaller the possible RPM.

#### For example:

Turning mild steel at a diameter of 25mm allows a speed of

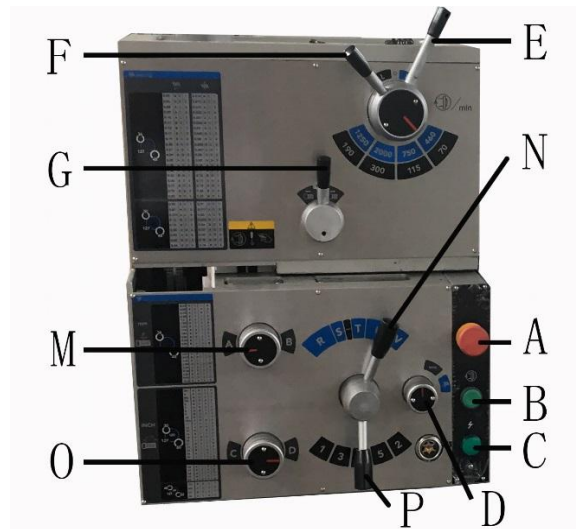
1600 RPM max. with carbide tool

320 RPM max. with HSS tool

#### To change the spindle speed:

The speed may never be changed when the spindle or motor are still running.


Move the speed select levers (E, F, Fig 14) according to the speed you desire.



**Fig 14**

It may be necessary to turn the chuck by hand to help the gears to engage.

### 6.5 Turning with auto feed

Move the lever (N, Fig 14) to «» to stop unnecessary lead screw rotation.

Move the knob (D) to «» to engage the feed rod.

Several automatic longitudinal and cross feeds (see Fig 15) are readily available by selection on the gearbox handles

( M, O, P, Fig 14).

The feed direction can be chosen with the feed reversing lever (G, Fig 14).

mm / O

0.05	A	C	1	0.014	A	C	1
0.06	A	C	2	0.015	A	C	2
0.08	A	C	3	0.022	A	C	3
0.09	A	C	4	0.025	A	C	4
0.10	A	C	5	0.027	A	C	5
0.11	B	C	1	0.028	B	C	1
0.12	B	C	2	0.03	B	C	2
0.17	B	C	3	0.045	B	C	3
0.19	B	C	4	0.05	B	C	4
0.20	B	C	5	0.055	B	C	5
0.21	A	D	1	0.057	A	D	1
0.24	A	D	2	0.06	A	D	2
0.35	A	D	3	0.09	A	D	3
0.38	A	D	4	0.10	A	D	4
0.40	A	D	5	0.11	A	D	5
0.42	B	D	1	0.12	B	D	1
0.48	B	D	2	0.13	B	D	2
0.70	B	D	3	0.18	B	D	3
0.75	B	D	4	0.20	B	D	4
0.80	B	D	5	0.22	B	D	5

36  
127  
48

Fig 15

Further feed rates are possible by different change gear setups.

Move the lever (D, Fig 16):

- right and up for longitudinal feed.
- left and down for cross feed.

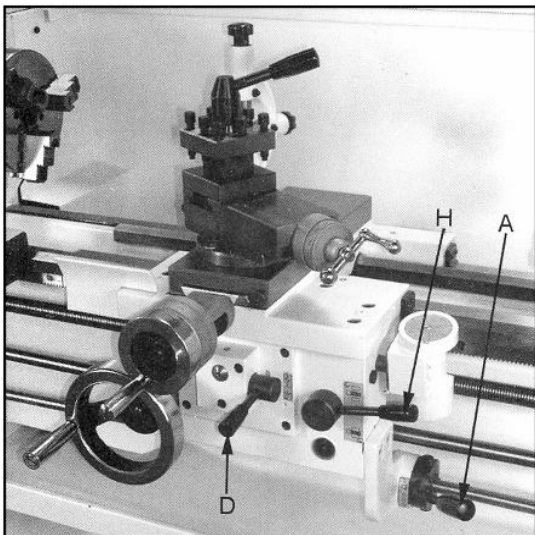


Fig 16

The correct feed depends on the material to be cut, the cutting operation, the type of tool, the rigidity of the work piece chucking, the depth of cut and the desired surface quality.

**For example:**

Longitudinal OD-turning, mild steel of 25mm diameter with a carbide tool at 1255 RPM and with rigid chucking.

**Stock removal and roughing cut:**

Depth of cut 1,5mm  
Feed per revolution 0,2mm

(change gear box position B, C and 5)

**Finishing cut:**

Depth of cut 0,5mm  
Feed per revolution 0.1mm

(change gear box position A, C and 5)

**Micro finishing and calibration cut:**

Depth of cut 0,2mm  
Feed per revolution 0.05mm

(change gear box position A, C and 1)

When roughing big diameters reduce the depth of cut!

### 6.6 Thread cutting

Threading is performed in multiple passes with a threading tool.

Each depth of cut should be about 0,2mm and become less for the finishing passes.

Move the knob (D, Fig 17) to « 0 » to stop unnecessary feed rod rotation.

Set the feed rate selectors (M, N, O, P, Fig 17) in proper position.

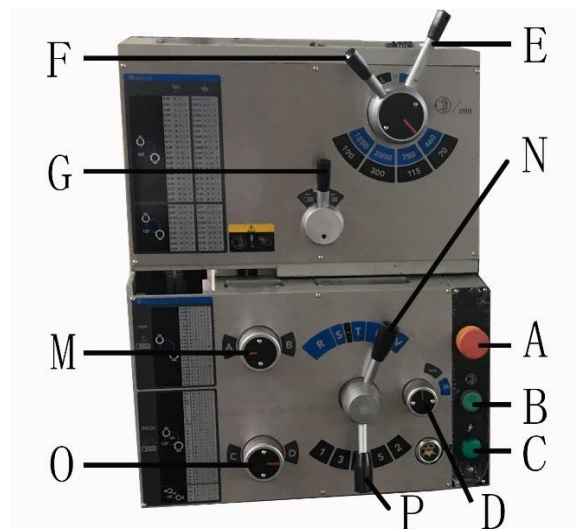


Fig 17

**A) To cut inch and metric threads**

Set the machine up for the desired threading pitch and first depth of cut.

Engage the halve nut (H, Fig 16).



The half nut must be engaged during the entire threading process.

- Start the machine at the lowest spindle speed.
- When the tool reaches the end of cut, stop the motor and at the same time back the tool out of the part so that it clears the thread (Attention inertia: Stop the motor in time)
- Reverse the motor direction to allow the cutting tool to travel back to the starting point.

Repeat these steps until you have obtained the desired results.

### B) To cut metric threads with threading dial:

On most metric threads the threading dial (G, Fig 7) can be used.

The half nut can be opened at the end of cut, rather than the motor being stopped and reversed.

The half nut may only be engaged at the corresponding graduation match on the threading dial.

## 6.7 Drilling operation

Use a drill chuck with MT 3 arbour (option) to hold centring drills and twisted drills in the tailstock.

For recommended speeds refer to section 6.4

To eject the drill chuck, fully retract the tailstock quill.

## 7. Setup and adjustments

### Warning:

**Setup and adjustment work may only be carried out after the machine is protected against accidental starting.**

**Press emergency stop button!**

### 7.1 Change gear setup

#### Note:

The installed 36T x 127T x 48T gears will cover most feeds and metric threads.

The additional gears found in the toolbox are used for inch threads and some feeds.

**Disconnect the machine from the power source.**

Loosen the locking screw on the pulley cover, then open the cover.

-Loosen screw (D, Fig 18) and hex nut (F) to disengage the quadrant.

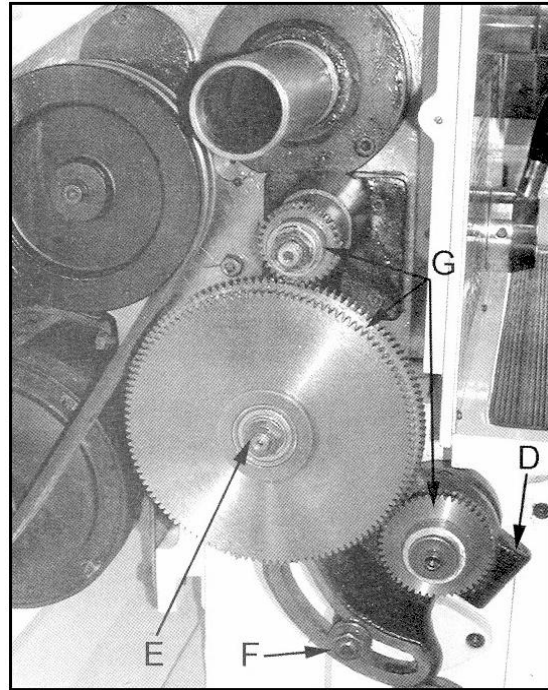


Fig 18

-Change gears (G) to match the feed and thread chart.

Adjust gears to mesh with upper and lower gear.

Placing ordinary paper in between gears helps to adjust for correct gear spacing (... remove the paper afterwards!).

Close and lock the pulley cover.

### 7.2 Turning between centres

Mount the workpiece fitted with the drive dog between centres.

The driver is driven by the face plate (Fig 19).

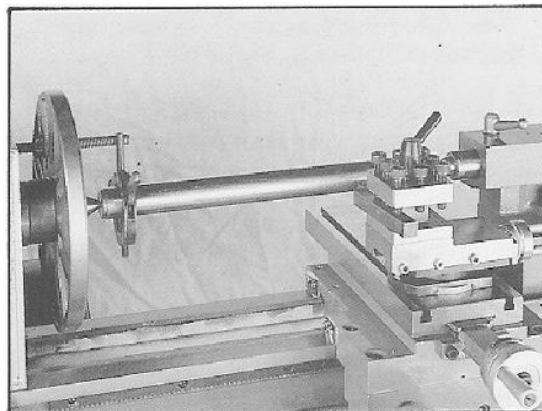


Fig 19

Lubricate the tailstock centre with grease to prevent tip from overheating.

### 7.3 Taper turning with tailstock

Turning up to a side angle of 5° can be achieved by off-setting the tailstock.

To offset the tailstock, loosen the locking handle (I, Fig 8), loosen the front adjusting screw (K) and take up the same amount on the rear adjusting screw.

Tighten the adjusting screws and the locking nut to hold the tailstock in position.

The work piece must be held between centres and driven by the face plate and drive dog.

After taper turning, the tailstock must be returned to its original position.

Turn a test piece and adjust until the machine turns a perfect cylinder.

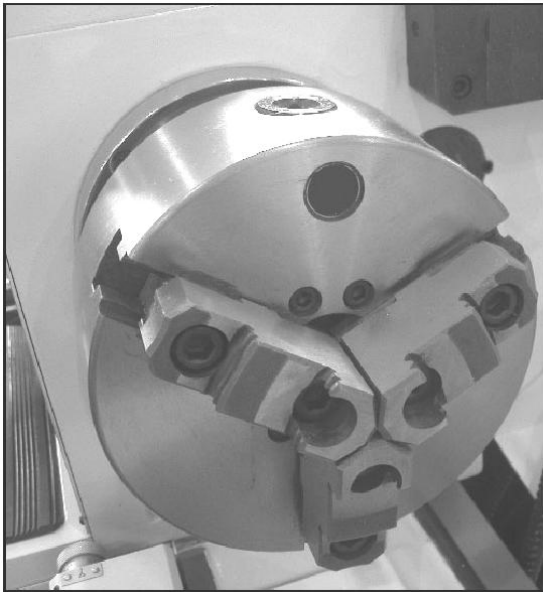
#### 7.4 Taper turning with top slide

By angling the top slide, tapers may be turned.

Loosen 2 lock nuts (J, Fig 6) and rotate the top slide according to the graduated scale.

#### 7.5 Three jaw universal chuck

With this universal chuck, cylindrical, triangular and hexagonal stock may be clamped (Fig 20).



**Fig 20**

To hold big diameter stock, reverse the top jaws.

Use Molykote Paste G (or adequate grease) to lubricate the jaws.

#### 7.6 Four jaw independent chuck

This chuck has four independently adjustable chuck jaws. These permit the holding of square and asymmetrical pieces and enable the accurate concentric set-up of cylindrical pieces.

#### 7.7 Live centre (optional)

The live centre is mounted in ball bearings.

Its use is highly recommended for speeds above 500 RPM.

To eject the live centre, fully retract the tailstock quill.

#### 7.8 Steady and follow rest

##### The steady rest

serves as a support for longer shafts and ensures a safe and chatter free operation.

The steady rest is mounted on the bed way with a locking plate.

Tighten the fingers so that they are snug but not tight against work piece.

Lubricate the fingers to prevent premature wear.

##### The follow rest

is mounted on the saddle and follows the movement of the tool. It prevents flexing of long and thin work pieces under pressure from the tool.

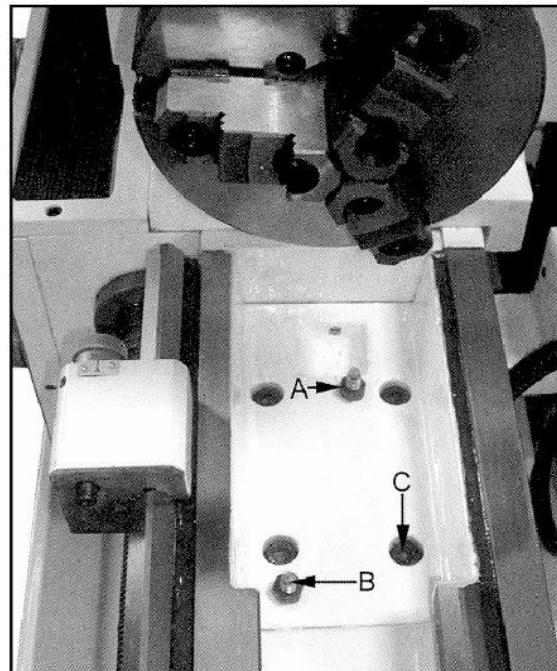
Set the fingers snug but not overly tight. Lubricate the fingers to prevent premature wear.

#### 7.9 Bed gap removal (GHB-1340A)

Pull the taper pins (B, Fig 21) by tightening the hex nuts (A).

Remove the 4 screws (C).

Bed gap can now be removed.



**Fig 21**

**Fig 22**

Before you install the bed gap, clean the contacting surfaces thoroughly.

Remove nuts from the taper pins.

Slide taper pins into the holes and seat using a mallet.

Tighten the 4 screws.

## **8. Maintenance and inspection**

### **General notes:**

**Maintenance, cleaning and repair work may only be carried out after the machine is protected against accidental starting.**

**Push the emergency stop button and disconnect from the power source!**

Clean the machine regularly.

Defective safety devices must be replaced immediately.

Repair and maintenance work on the electrical system may only be carried out by a qualified electrician.

### **8.1 Annual Lubrication**

#### **- Headstock:**

**Change the hydraulic oil (2,3 litre)**

**HLP DIN 51524/ 2 ISO VG 46**

(e.g. BP Energol HLP 46, Castrol Hyspin AWS 46, Shell Tellus 46, Mobil DTE 25 )

Oil must be up to indicator mark in oil sight glass (A, Fig 22).

Fill oil by pulling plug located on top of the headstock underneath the rubber mat.

**Drain oil after first month of operation** by removing drain plug (B, Fig 23).

Clan out any metal shavings.

Refill with oil.

Then change the oil in the headstock annually (respectively every 700 operating hours).

#### **- Feed Gearbox:**

**Change the hydraulic oil (1,5 litre)**

**HLP DIN 51524/ 2 ISO VG 68**

(e.g. BP Energol HLP68, Castrol Hyspin AWS 68, Shell Tellus 68, Mobil DTE Oil Heavy Medium)

Oil must be up to indicator mark in oil sight glass (D, Fig 22).

Fill oil by removing plug (E, Fig 23).

**Drain oil after first month of operation** by removing drain plug (F, Fig 23). Refill with oil.

Then change the oil in the gearbox annually (respectively every 700 operating hours).

#### **- Apron:**

**Change the hydraulic oil (0,2 litre)**

**HLP DIN 51524/ 2 ISO VG 68**

(e.g. BP Energol HLP68, Castrol Hyspin AWS 68, Shell Tellus 68, Mobil DTE Oil Heavy Medium)

Oil must be up to indicator mark in oil sight glass (A, Fig 24).

Fill oil by removing plug (B).

**Drain oil after first month of operation** by removing drain plug on the bottom. Refill with oil.

Then change the oil in the apron annually (respectively every 700 operating hours).

### **8.2 Weekly Lubrication:**

Weekly inspect the oil sight glasses, fill oil on demand (see 8.1).

#### **Weekly apply grease:**

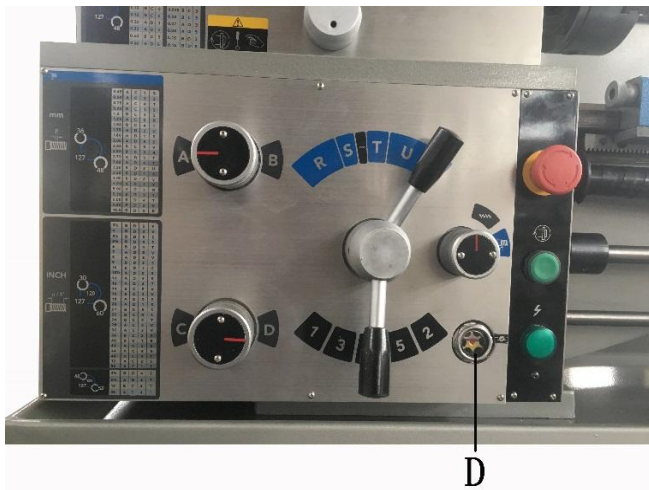
**DIN 51807/ 1 non slinging grease**

(e.g. BP L2, Mobilgrease Special).

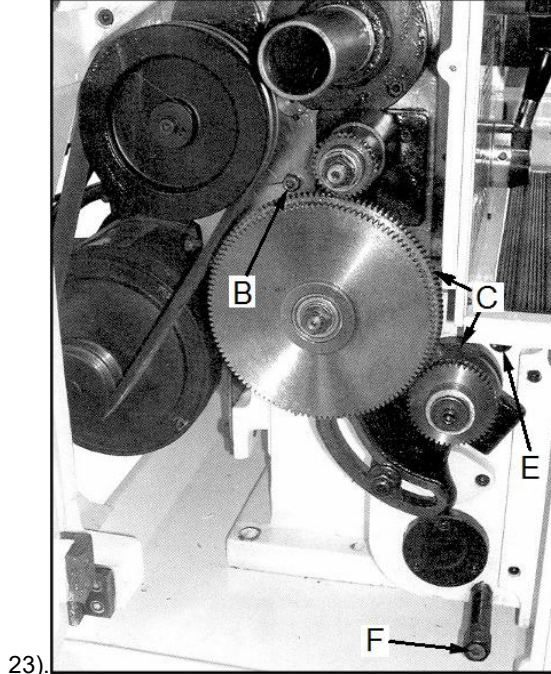
#### **- Rack**

Apply grease on entire length.

#### **- Change gears**



Coat all gears with grease (C, Fig



**Fig 23**

**Weekly apply oil:**

**DIN 51502 CG ISO VG 68**

(e.g. BP Maccurat 68, Castrol Magna BD 68, Mobil Vectra 2)

**- Lead screw and feed rod**

Apply oil on entire length.

**8.3 Daily Lubrication:**

**Daily apply oil:**

**DIN 51502 CG ISO VG 68**

(e.g. BPMaccurat 68, Castrol Magna BD 68, Mobil Vectra 2)

**- Feed selector**

Lubricate ball oiler (C, Fig 24)

**- Carriage**

Lubricate 2 ball oilers (D, Fig 24)

**- Top slide**

Lubricate 3 ball oilers (F, Fig 25)

**- Cross slide**

Lubricate 4 ball oilers (G, Fig 25)

**- Longitudinal travel hand wheel**

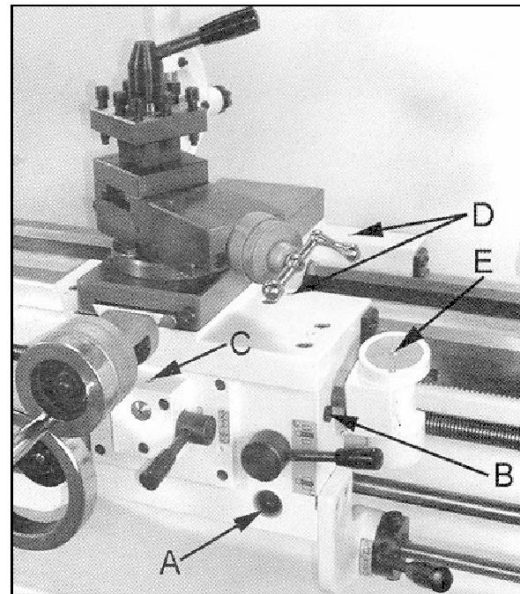
Lubricate ball oiler (H, Fig 25)

**- Tailstock**

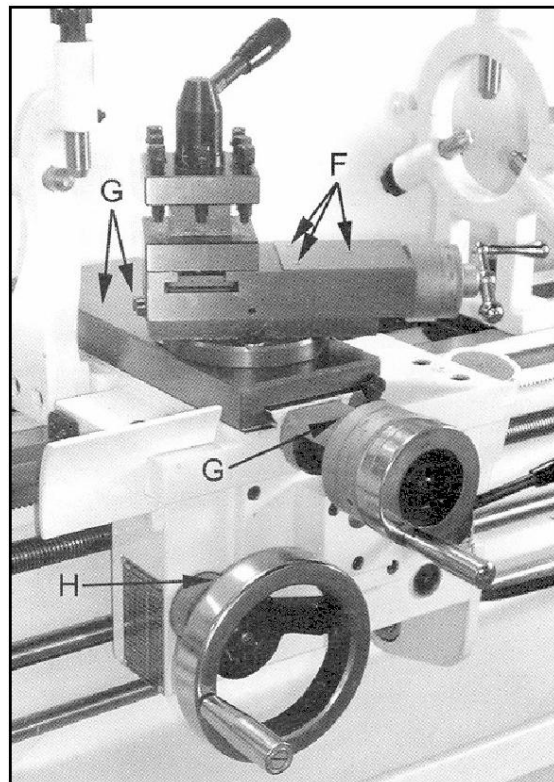
Lubricate 3 ball oilers (I, Fig 26)

**- Lead screw/ feed rod hub**

Lubricate 3 ball oilers (J, Fig 26)

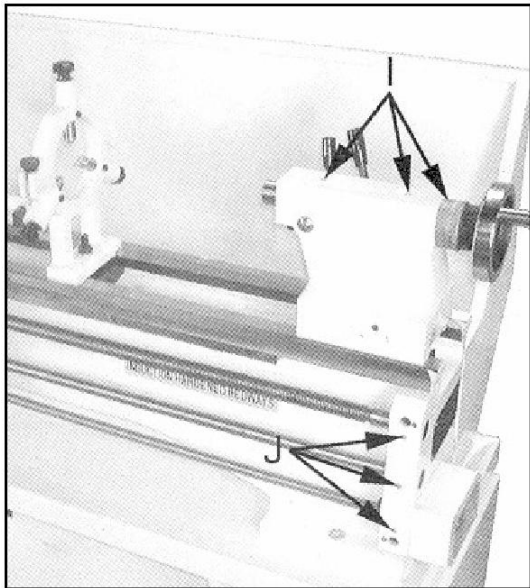


**Fig 24**



**Fig 25**



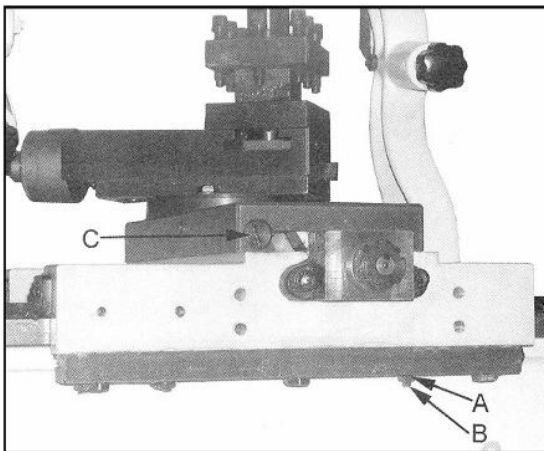


**Fig 26**

### 8.4 Slide adjustments

Each slide is fitted with tapered gib.

Loosen the rear gib screw (C, Fig 27) by one turn.



**Fig 27**

Tighten front gib screw appr. a quarter turn.

Try and repeat until slide moves freely without play.

Gently tighten the rear gib screw.

### 8.5 Saddle adjustment

Loosen 4 hex nuts (A, Fig 27).

Turn the 4 set screws (B) equally until a slight resistance is felt.

Hold the set screws firmly and tighten the nuts to lock in place.

### 8.6 Shear pin replacement

Lead screw and feed shaft are equipped with shearing pins to protect the drive against overload.

If a shear pin breaks it must be replaced.

Knock out the broken pin.

Line up the holes and fit a new pin.

### 8.7 Headstock alignment

The headstock has been aligned at the factory.

Check that the machine bed is level and correct before proceeding.

Turn a test piece for inspection.

The diameter should be the same on the whole turning length.

#### **If headstock alignment is needed:**

Loosen the 4 headstock bolts that hold the headstock to the bed.

Do not loosen completely; some drag should remain.

Adjust on the lateral adjustment bolts located on the rear of the headstock.

Tighten all headstock bolts.

## 9. Trouble shooting

### **Motor doesn't start**

\*Chuck guard is open

close chuck guard.

\*Pulley cover is open-

close pulley cover.

\*No electricity-

check mains and fuse.

\*Defective switch, motor or cord-

consult an electrician.

### **Machine vibration**

\*Unbalanced work piece-

Reduce spindle speed.

\*Workpiece deflection-

improve chucking length or diameter, support on tailstock end.

\*Tool deflection-

reduce tool length.

\*Slide backlash-

adjust slide gibs.

\*Slides running dry-

lubricate with oil.

\*Dull tool tip-

resharpen or change tool.

\*Chip load too high-

reduce depth of cut or feed-

### **Tool tip burns**

\*Cutting speed too high-

reduce spindle speed.

\*Dull tool tip-

resharpen tool tip.

### **Machine turns a taper**

\*Tailstock alignment is offset-

align tailstock position.

\*Machine bed is twisted-

machine bed must be level.

### **No automatic power feed**

\*Shear pin has broken-

replace shear pin

## **10. Environmental protection**

### **Protect the environment.**

Your appliance contains valuable materials which can be recovered or recycled. Please leave it at a specialized institution.



This symbol indicates separate collection for electrical and electronic equipment required under the WEEE Directive (Directive 2012/19/EC) and is effective only within the European Union.

## **11. Available accessories**

### **Article No: 465303**

Live center MT-3

### **Article No: 50000191**

5C Collet chuck (Camlock D1-4)

with key

### **Article No: 50000190**

Set of 5C collets (17pcs) 3 - 25mm

### **Article No: 321431**

Single tool post

### **Article No: 321442**

Taper turning attachment

### **Article No: 350055**

Coolant facility (230V)

Refer to the PROMAC-Pricelist for various accessories.

# DE - DEUTSCH

## Gebrauchsanleitung

Sehr geehrter Kunde,

vielen Dank für das Vertrauen, welches Sie uns beim Kauf Ihrer neuen PROMAC-Maschine entgegengebracht haben. Diese Anleitung ist für den Inhaber und die Bediener zum Zweck einer sicheren Inbetriebnahme, Bedienung und Wartung der **Metalldrehbank GHB-1330 / GHB-1340A** erstellt worden. Beachten Sie bitte die Informationen dieser Gebrauchsanleitung und der beiliegenden Dokumente. Lesen Sie diese Anleitung vollständig, insbesondere die Sicherheitshinweise, bevor Sie die Maschine zusammenbauen, in Betrieb nehmen oder warten. Um eine maximale Lebensdauer und Leistungsfähigkeit Ihrer Maschine zu erreichen befolgen Sie bitte sorgfältig die Anweisungen.

### Inhaltsverzeichnis

#### 1. Konformitätserklärung

#### 2. Garantieleistungen

#### 3. Sicherheit

Bestimmungsgemäße Verwendung

Allgemeine Sicherheitshinweise

Restrisiken

#### 4. Maschinenspezifikation

Technische Daten

Schallemission

Lieferumfang

Maschinenbeschreibung

#### 5. Transport und Inbetriebnahme

Transport und Aufstellung

Montage

Elektrischer Anschluss

Erstschmierung

Inbetriebnahme

Einlaufphase

#### 6. Betrieb der Maschine

Bedienelemente

Werkstückaufspannung

Einspannen des Drehmeißels

Wahl der Spindeldrehzahl

Automatischer Längsvorschub

Gewindeschneiden

Bohren

#### 7. Rüst- und Einstellarbeiten

Wechselräder Steckung

Drehen zwischen Spitzen

Konusdrehen mit Reitstock

Konusdrehen mit Oberschlitten

Universal Dreibackenfutter

Vierbackenfutter

Mitlaufkönerspitze

Steh- und Lauflünette

Bettbrücke Entfernung

#### 8. Wartung und Inspektion

Schmierung jährlich

Schmierung wöchentlich

Schmierung täglich

Schlittenführung Nachstellung

Bettschlitten Nachstellung

Scherstiftwechsel

Spindelstock Ausrichtung

#### 9. Störungsabhilfe

#### 10. Umweltschutz

#### 11. Lieferbares Zubehör

### 1. Konformitätserklärung

Wir erklären in alleiniger Verantwortlichkeit, dass dieses Produkt mit den auf Seite 2 angegebenen Richtlinien\* übereinstimmt.

Bei der Konstruktion wurden folgende Normen\*\* berücksichtigt.

### 2. Garantieleistungen

TOOL FRANCE S.A.S garantiert, dass das/die von ihr gelieferte/n Produkt/e frei von Material- und Herstellungsfehlern ist.

Diese Garantie deckt keinerlei Mängel, Schäden und Fehler ab, die - direkt oder indirekt - durch falsche oder nicht

sachgemäße Verwendung, Fahrlässigkeit, Unfallschäden, Reparaturen oder unzureichende Wartungs- oder

Reinigungsarbeiten sowie durch natürliche Abnutzung durch den Gebrauch verursacht werden.

Weitere Einzelheiten zur Garantie können den allgemeinen Geschäftsbedingungen (AGB) entnommen werden.

Diese können Ihnen auf Wunsch per Post oder Mail zugesendet werden.

TOOL FRANCE S.A.S behält sich das Recht vor, jederzeit Änderungen am Produkt und am Zubehör vorzunehmen.

### **3. Sicherheit**

#### **3.1 Bestimmungsgemäße Verwendung**

Diese Metalldrehbank ist ausschließlich zum Drehen und Bohren von zerspanbaren Metallen und Kunststoffen geeignet.

Die Bearbeitung anderer Werkstoffe ist nicht zulässig bzw. darf in Sonderfällen nur nach Rücksprache mit dem Maschinenhersteller erfolgen.

#### **Niemals Magnesium zerspanen-**

#### **Hohe Feuergefahr!**

Es dürfen nur Werkstücke bearbeitet werden welche sicher zugeführt und gespannt werden können.

Die bestimmungsgemäße Verwendung beinhaltet auch die Einhaltung der vom Hersteller angegebenen Betriebs- und Wartungsanweisungen.

Die Maschine darf ausschließlich von Personen bedient werden, die mit Betrieb und Wartung vertraut und über die Gefahren unterrichtet sind.

Das gesetzliche Mindestalter ist einzuhalten.

Die Maschine darf nur in technisch einwandfreiem Zustand betrieben werden.

Beim Arbeiten an der Maschine müssen alle Sicherheitseinrichtungen und Abdeckungen vorhanden sein

Neben den in der Gebrauchsanleitung enthaltenen Sicherheitshinweisen und den besonderen Vorschriften Ihres Landes sind die für den Betrieb von Metallbearbeitungsmaschinen allgemein anerkannten fachtechnischen Regeln zu beachten.

Jeder darüber hinaus gehende Gebrauch gilt als nicht bestimmungsgemäß und für daraus resultierende Schäden haftet der Hersteller nicht. Das Risiko trägt allein der Benutzer.

#### **3.2 Allgemeine Sicherheitshinweise**

Metallbearbeitungsmaschinen können bei unsachgemäßem Gebrauch gefährlich sein. Deshalb ist zum sicheren Betreiben die Beachtung der zutreffenden Unfallverhütungsvorschriften und der nachfolgenden Hinweise erforderlich.

Lesen und verstehen Sie die komplette Gebrauchsanleitung bevor Sie mit Montage oder Betrieb der Maschine beginnen.

Bewahren Sie die Bedienungsanleitung, geschützt vor Schmutz und Feuchtigkeit, bei der Maschine auf, und geben Sie sie an einen neuen Eigentümer weiter.

An der Maschine dürfen keine Veränderungen, An- und Umbauten vorgenommen werden.

Überprüfen Sie täglich vor dem Einschalten der Maschine die einwandfreie Funktion und das Vorhandensein der erforderlichen Schutzeinrichtungen.

Festgestellte Mängel an der Maschine oder den Sicherheitseinrichtungen sind zu melden und von den beauftragten Personen zu beheben.

Nehmen Sie die Maschine in solchen Fällen nicht in Betrieb, sichern Sie die Maschine gegen Einschalten durch Ziehen des Netzsteckers.

Zum Schutz von langem Kopfhair Mütze oder Haarnetz aufsetzen.

Enganliegende Kleidung tragen, Schmuck, Ringe und Armbanduhren ablegen.

Tragen Sie Schutzhuhe, keinesfalls Freizeithuhe oder Sandalen.

Verwenden Sie die durch Vorschriften geforderte persönliche Schutzausrüstung.

Beim Arbeiten an der Maschine **keine Handschuhe** tragen.

Beim Arbeiten Schutzbrille tragen.

Die Maschine so aufstellen, dass genügend Platz zum Bedienen und zum Führen der Werkstücke gegeben ist.

Sorgen Sie für gute Beleuchtung.

Achten Sie darauf, dass die Maschine standsicher auf festem und ebenem Grund steht.

Beachten Sie dass die elektrische Zuleitung nicht den Arbeitsablauf behindert und nicht zur Stolperstelle wird.

Den Arbeitsplatz frei von behindernden Werkstücken, etc. halten.

Seien Sie aufmerksam und konzentriert. Gehen Sie mit Vernunft an die Arbeit.

Achten Sie auf ergonomische Körperhaltung.

Sorgen Sie für sicheren Stand und halten Sie jederzeit das Gleichgewicht.

Arbeiten Sie niemals unter dem Einfluss von Rauschmitteln wie Alkohol und Drogen an der Maschine. Beachten Sie, dass auch Medikamente Einfluss auf Ihr Verhalten nehmen können.

Niemals in die laufende Maschine greifen.

Die laufende Maschine nie unbeaufsichtigt lassen.

Vor dem Verlassen des Arbeitsplatzes die Maschine ausschalten.

Halten Sie Unbeteiligte, insbesondere Kinder vom Gefahrenbereich fern.

Benützen Sie die Maschine nicht in der Nähe von brennbaren Flüssigkeiten oder Gasen.

Beachten Sie die Brandmelde- und Brandbekämpfungsmöglichkeiten z.B. Standort und Bedienung von Feuerlöschern.

Benützen Sie die Maschine nicht in feuchter Umgebung und setzen Sie sie nicht dem Regen aus.

Nur mit gut geschärften Werkzeugen arbeiten.

Arbeiten Sie nie bei geöffnetem Bohrfutterschutz oder Riemenschutz.

Entfernen Sie vor dem Start den Drehfutterschlüssel und andere Werkzeuge.

Angaben über die min. und max. Werkstückabmessungen müssen eingehalten werden.

Späne und Werkstückteile nur bei stehender Maschine entfernen.

Nicht auf der Maschine stehen.

Arbeiten an der elektrischen Ausrüstung der Maschine dürfen nur durch eine Elektrofachkraft vorgenommen werden.

Tauschen Sie ein beschädigtes Netzkabel sofort aus.

Halten Sie mit ihren Fingern ausreichend Abstand zu rotierenden Teilen und Spänen.

Kontrollieren Sie vor der Bearbeitung ob das Werkstück sicher eingespannt ist.

Den Spannungsbereich der Drehfutter nicht überschreiten.

Fliegend nur kurze Werkstücke einspannen.

Falls die Werkstücklänge den Spanndurchmesser 3-mal übersteigt muss mit dem Reitstock gegengelagert werden.

Vermeiden Sie kleine Spanndurchmesser bei großen Drehdurchmessern.

Vermeiden Sie kurze Einspannlängen.

Das Werkstück soll satt anliegen

Die Drehzahlbegrenzung des Spannmittels darf nicht überschritten werden.

Gewindebohren, Gewindeschneiden und das Zerspanen unwuchtiger Werkstücke nur bei niedriger Drehzahl vornehmen.

Das über den Spindelstock herausragende Stangenmaterial ist über die gesamte Länge mit einem festen Schutz zu umgeben.

Hohe Verletzungsgefahr!

Lange Werkstücke mit Stehlünette abstützen. Ein langes und dünnes Werkstück kann sich bei schneller Rotation plötzlich verbiegen.

Niemals den Reitstock oder die Reitstockpinole während des Laufes verstellen.

Späne nur bei Maschinenstillstand und mit Hilfe eines geeigneten Spänehakens entfernen.

Das Spannfutter oder Werkstück nicht mit der Hand abbremsen.

Führen Sie Mess- und Einstellarbeiten nur bei Maschinenstillstand durch.

Umrüst-, Einstell- und Reinigungsarbeiten nur im Maschinenstillstand und bei gezogenem Netzstecker vornehmen.

### 3.3 Restrisiken

Auch bei vorschriftsmäßiger Benutzung der Maschine bestehen die nachfolgend aufgeführten Restrisiken.

Verletzungsgefahr durch das rotierende Werkstück und Spannfutter.

Gefährdung durch wegfliegende und heiße Werkstücke und Späne.

Gefährdung durch Lärm und Späne.

Unbedingt persönliche Schutzausrüstungen wie Augen- und Gehörschutz tragen.

Gefährdung durch Strom, bei nicht ordnungsgemäßer Verkabelung.

## 4. Maschinenspezifikation

### 4.1 Technische Daten

#### GHB-1330:

Drehdurchmesser über Bett	330mm
Drehdurchm. über Schlitten	197mm
Spitzenweite	760mm
Bettbreite	186mm
Abmessungen	1650 x 760 x 1200mm
Maschinengewicht	600 kg

#### GHB-1340A:

Drehdurchmesser über Bett	330mm
Drehdurchm. über Bettbrücke	476mm
Drehdurchm. über Schlitten	197mm
Spitzenweite	1015mm
Bettbreite	186mm
Abmessungen	1905 x 760 x 1200mm
Maschinengewicht	650 kg

#### GHB-1330/ GHB-1340A:

Spindelkegel	MK-5
Spindel DIN 55029 (Camlock)	D1-4
Spindeldurchlass	Ø38 mm
Geschwindigkeiten..8	70-2000U/min
Reitstock Pinolenhub	95mm
Reitstock Pinolendurchm.	32mm
Pinolenkegel	MK-3
Stehlünette Durchm.	6 – 67mm
Laufünette Durchm.	6 – 70mm
Querschlitzen Hub	160mm
Oberschlitten Hub	68mm
Werkzeuggröße max	16 x 16 mm
Leitspindel Steigung	4mm
Längsvorschübe 40	0,037–0,989mm/U
Quervorschübe...40	0,01–0,268mm/U
Metrische Gewinde..23	0,45–10mm/U
Zöllige Gewinde...32	3-1/4 – 80 TPI
Netzanschluss	400V ~3L/PE 50Hz
Abgabeleistung	1,5 kW (2 PS) S1
Betriebsstrom	4A

Anschlussleitung (H07RN-F)4x1,5mm<sup>2</sup>

Bauseitige Absicherung 16A

#### 4.2 Schallemission

Schalldruckpegel (nach EN ISO 11202):

Leerlauf Maximaldrehzahl LpA 78,4 dB(A)

Die angegebenen Werte sind Emissionspegel und sind nicht notwendigerweise Pegel für sicheres Arbeiten.

Sie sollen dem Anwender eine Abschätzung der Gefährdung und des Risikos ermöglichen.

#### 4.3 Lieferumfang

Maschinen Unterschrank

Spänetasse

Spritzschutz

160mm Universal Dreieckenfutter

200mm Planscheibe

300mm Aufspannscheibe

Vierfach Stahlhalter

Stehlünette

Laufflünette

Wechselrädersatz

2 Stück MK-3 feste Körnerspitze

MK3/ MK5 Reduzierung

Gewindeuhr

Bedienwerkzeug in Werkzeugbox

Ölkanne

Hubgestänge

Gebrauchsanleitung

Ersatzteilliste

#### 4.4 Maschinenbeschreibung

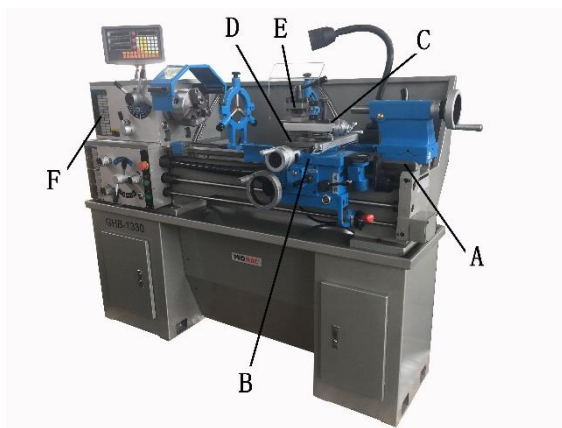


Fig 1

A....Maschinenbett

B....Bettschlitten

C....Oberschlitten

D....Querschlitten

E....Vierfach Stahlhalter

F....Spindelstock

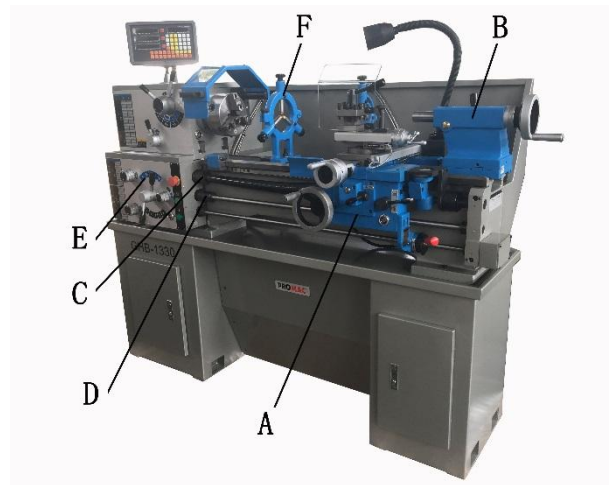


Fig 2

A....Schlosskasten

B....Reitstock

C....Leitspindel

D....Zugspindel

E....Vorschubgetriebe

F....Stehlünette

G....Mitlaufflünette

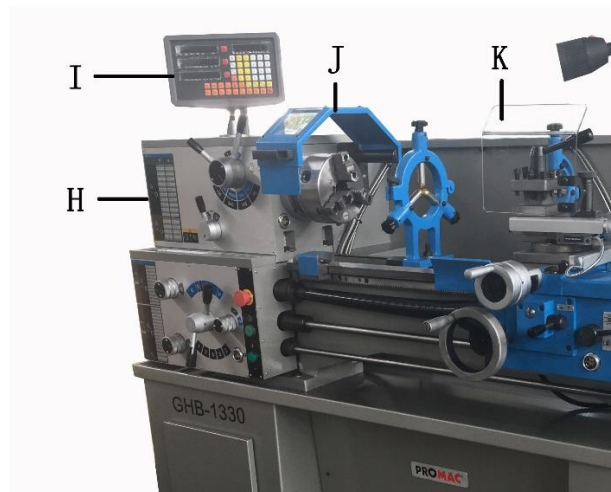


Fig 3

H....Räderdeckel

I....3-Achs-Positionsanzeige (optional)

J....Futterschutz

K....Stahlhalterschutz

### 5. Transport und Inbetriebnahme

#### 5.1. Transport und Aufstellung

Die Maschine wird geschlossen auf Palette geliefert.

Zum Transport verwenden Sie einen handelsüblichen Stapler oder Hubwagen. Sichern Sie die Maschine beim Transport gegen Umfallen.

Die Aufstellung der Maschine sollte in geschlossenen Räumen erfolgen, werkstattübliche Bedingungen sind dabei ausreichend.

## 5.2 Montage

Wenn Sie beim Auspacken einen Transportschaden feststellen, benachrichtigen Sie umgehend Ihren Händler, nehmen Sie das Gerät nicht in Betrieb.

Entsorgen Sie die Verpackung bitte umweltgerecht.

Entfernen Sie das Rostschutzfett mit Petroleum, Dieselöl oder einem milden Lösungsmittel.

Schrauben Sie die Maschine von der Palette ab.

Bewegen Sie Bettschlitten und Reitstock nach rechts.

Montieren Sie das gelieferte Hubgestänge am Maschinenbett (siehe Fig 4).



Fig 4

### **Achtung:**

**Die Maschine ist schwer!**

**GHB-1330.....600kg**

**GHB-1340A....650kg**

**Achten Sie auf ausreichende Tragfähigkeit und einwandfreien Zustand der Hebezeuge.**

**Treten Sie niemals unter schwebende Lasten.**

Verwenden Sie eine Maschinenwasserwaage um das Maschinenbett eben auszurichten.

Montageschrauben lösen oder festziehen, bei Bedarf unterlegen.

Die Maschinengenauigkeit ist nur bei ebenem Bett gegeben.

## 5.3 Elektrischer Anschluss

Der kundenseitige Netzanschluss sowie die verwendeten Verlängerungsleitungen müssen den Vorschriften entsprechen. Die Netzspannung und Frequenz müssen mit den Leistungsschilddaten an der Maschine übereinstimmen.

Die bauliche Absicherung muss dabei 16A betragen.

Verwenden Sie nur Anschlussleitungen mit Kennzeichnung H07RN-F

Anschlüsse und Reparaturen der elektrischen Ausrüstung dürfen nur von einem Elektrofachkraft durchgeführt werden.

Der Elektroanschluss erfolgt an der Klemmenleiste im Schaltschrank.

## 5.4 Erstschnierung

Vor der Inbetriebnahme der Maschine sind alle Schmierstellen zu versorgen, sowie alle Schmiermittelstände auf Niveau zu bringen!

Bei Nichtbeachtung sind erhebliche Schäden möglich!

(Siehe Schnierung, Kapitel 8 )

**Nach einmonatigem Betrieb muss das Öl in Spindelstock, Vorschubtriebe und Schlosskasten gewechselt werden.**

## 5.5 Inbetriebnahme

**Prüfen Sie das Spannmittel und die Werkstückaufspannung vor dem Start der Maschine (siehe Kapitel 6.2).**

Mit dem Spindel Schalthebel (I, Fig 6) kann die Spindel gestartet werden.

- nach rechts und unten für Vorlauf

- nach rechts und oben für Rücklauf

Bringen Sie den Schalter in Nullstellung um die Maschine zu stoppen.

Der Tastknopf (B, Fig 5) wird verwendet um die Spindel im Tipbetrieb zu bewegen.

Der Not-Aus Taster (A, Fig 5) stoppt alle Maschinenfunktionen.

### **Achtung:**

Die Maschine bleibt unter Spannung.

Entriegeln Sie den Not-Aus Taster durch Drehung im Uhrzeigersinn.

### **HINWEIS:**

Sowohl der Räderdeckel (H, Fig 3) als auch der Futterschutz (J) sind mit Endscharter überwacht. Um die Maschine zu starten müssen beide geschlossen sein.

## 5.6 Einlaufphase

Geben Sie dem Getriebe Zeit sich einzulaufen.

Betreiben Sie die Maschine für die ersten 6 Stunden nicht über 755 U/min.

## 6. Betrieb der Maschine



## Achtung:

**Vor Rüst- und Einstellarbeiten muss die Maschine gegen Inbetriebnahme gesichert werden.**

**Netzstecker ziehen und die Not-Aus Taste drücken!**

Führen Sie Mess- und Einstellarbeiten nur bei Maschinenstillstand durch.

Kontrollieren Sie vor der Bearbeitung ob das Werkstück sicher eingespannt ist.

Das Spannfutter oder Werkstück nicht mit der Hand abbremsen.

Halten Sie mit ihren Fingern ausreichend Abstand zu rotierenden Teilen und Spänen.

Späne nur bei Maschinenstillstand und mit Hilfe eines geeigneten Spänehakens entfernen.

Arbeiten Sie nie bei geöffnetem Futterschutz oder Räderdeckel.

Gewindebohren, Gewindeschneiden und das Zerspanen unwuchtiger Werkstücke nur bei niedriger Drehzahl vornehmen.

Niemals Magnesium zerspanen-

Hohe Feuergefahr!

**Bei Gefahr die Not-Aus Taste drücken.**

## 6.1 Bedienelemente

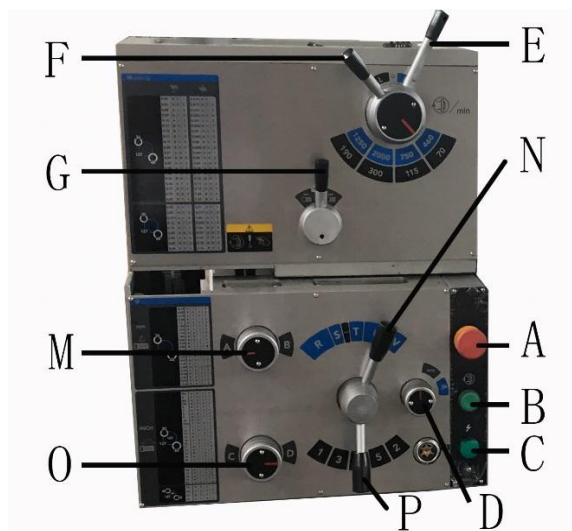


Fig 5

- A....Not-Aus Taste
- B....Spindel Tippbetrieb Taste
- C....Netzanschlussleuchte
- D....Zugspindel Ein/ Aus
- E....Spindel Schnell/ Langsam
- F....Spindeldrehzahl Wahlhebel
- G....Vorschubrichtung Wahlhebel
- M....Vorschub Wahl
- N....Vorschub Wahl, Leitspindel Aus ("P")
- O....Vorschub Wahl

P....Vorschub Wahl

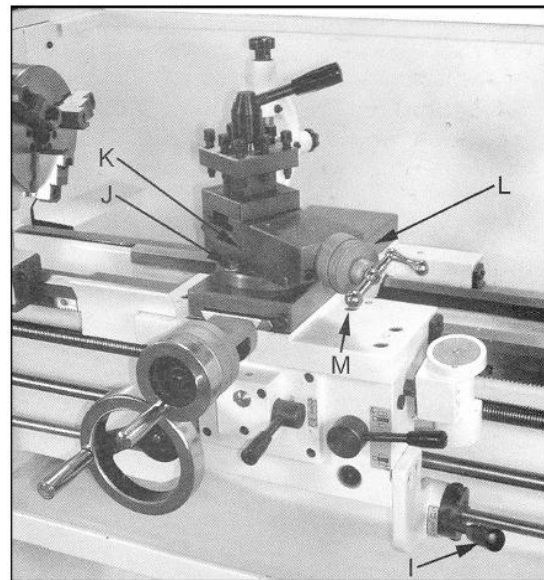


Fig 6

I....Spindel Ein/ Aus Schalthebel

J....Oberschlitten Schwenkklemmung

K....Oberschlitten Klemmung

L....Querschlitten Klemmung

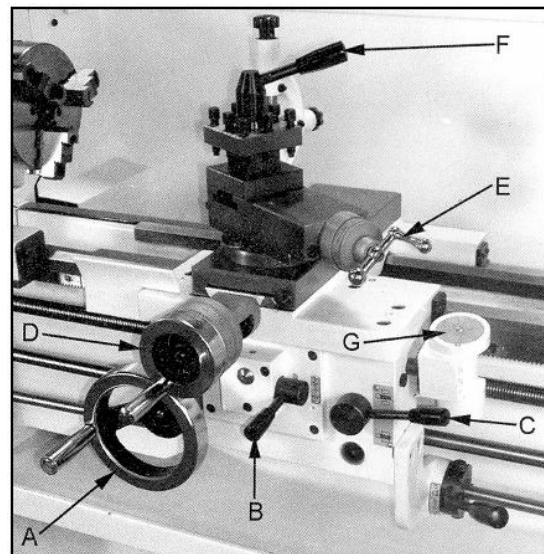


Fig 7

- A....Längsschlitten Handrad
- B....Vorschub Schalthebel
- C....Schlossmutterhebel
- D....Querschlittenhandrad
- E....Oberschlittenhandrad
- F....4-fach Stahlhalter Klemmhebel
- G....Gewindeuhr



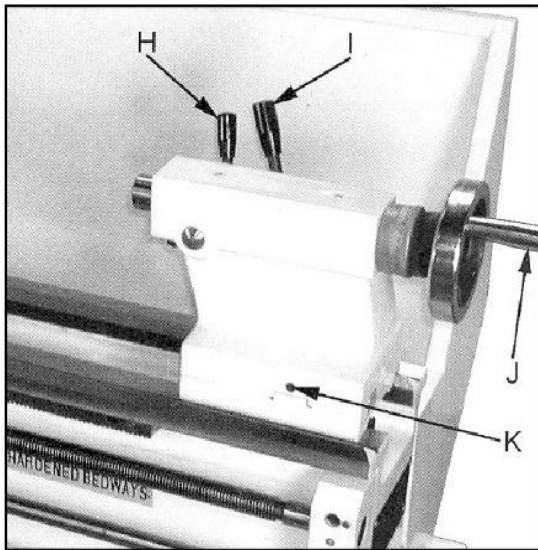


Fig 8

H....Klemmhebel für Reitstockpinole

I....Reitstock Klemmhebel

J....Handrad für Reitstockpinole

K....Reitstock Querverstellung

## 6.2 Werkstückaufspannung

### Spannmittel Demontage:

Schützen Sie das Maschinenbett vor der Spannmitteldemontage mit einem Holzbrett.

Halten Sie das Spannmittel während Sie die 3 Camlock Spannexcenter  $\frac{1}{4}$  Umdrehung im Gegenuhrzeigersinn lösen.

Richten Sie die Markierungen (A, Fig 9) zueinander aus.

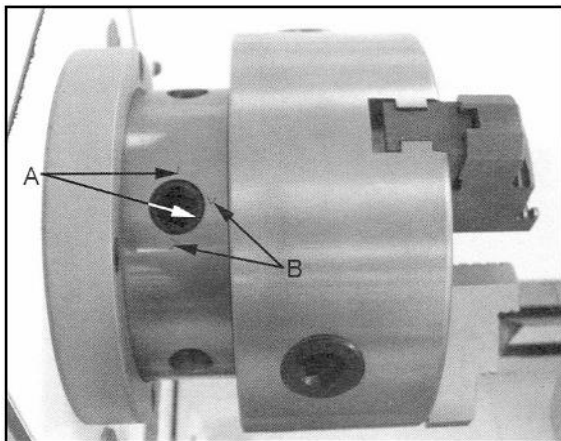


Fig 9

Entfernen Sie das Spannmittel mit Vorsicht.

Reinigen Sie alle Kontaktflächen.

### Spannmittel Montage:

Pressen Sie das Spannmittel von Hand gegen die Spindelnase.

Spannen Sie die Camlock Spannexcenter im Uhrzeigersinn.

Die Markierung der Spannexcenter (A) muss sich zwischen den 2 Pfeilmarkierungen (B) befinden.

Falls nicht sind die Spannmittel-Camlockbolzen je nach Bedarf um eine Umdrehung ein- oder auszuschauben.

Die 3 Camlock Spannexcenter festziehen.

### Achtung:

Die Drehzahlbegrenzung des Spannmittels darf nie überschritten werden.

Backenverzahnung und Zahnkranzspirale müssen sich immer in vollem Eingriff befinden. Überstehende Spannbacken können brechen und im Betrieb wegfliegen (Fig 10).

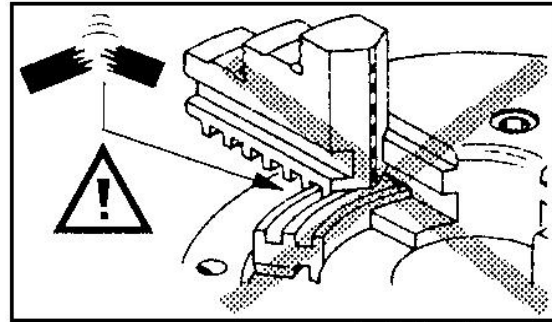


Fig 10

Vermeiden Sie lange fliegende Aufspannungen. Werkstücke können sich verbiegen (Fig 11) oder ausgeschleudert werden (Fig 12).

Stützen Sie mit Reitstock oder Lünetten ab.

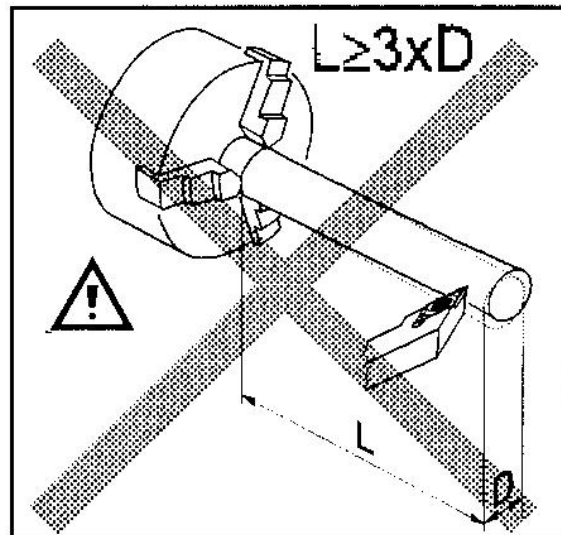


Fig 11

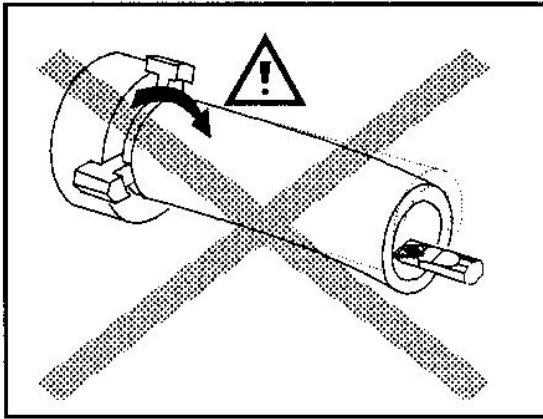


Fig 12

Vermeiden Sie kurze Einspannlängen (A, Fig 13) oder das Spannen auf einem kleinen Durchmesser (B).

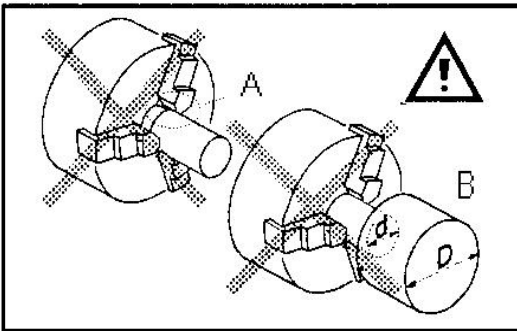


Fig 13

Sorgen Sie für eine stirnseitige Anlage des Werkstücks.

### 6.3 Einspannen des Drehmeißels

Die Schneidwinkel haben nur dann die gewünschte Größe, wenn die Schneide des Drehmeißels auf die Achsmitte des Werkstückes eingestellt wird.

Die richtige Höhe des Drehmeißels wird durch Einstellen des Drehmeißels auf die Höhe der Körnerspitze unter Verwendung von Unterlagblechen erreicht.

Spannen Sie den Drehmeißel mit mindestens zwei Schrauben am Vierfachstahlhalter fest.

Spannen Sie kurz. Vermeiden Sie große Drehstahlauslagen.

### 6.4 Wahl der Spindeldrehzahl

Die richtige Spindeldrehzahl hängt von der Art der Bearbeitung, dem Drehdurchmesser, dem Werkstück- und dem Schneidmaterial ab.

Die Drehzahlempfehlungen gelten für einen Drehdurchmesser von 50mm und eine Zerspanung mit einem Hartmetall (HM) Werkzeug.

Aluminium, Messing	1500 U/min
Grauguss:	1000 U/min
Stahl (C15):	800 U/min

Stahl (C45): 600 U/min

Rostfreier Stahl: 300 U/min

Bei Verwendung von Schnellarbeitsstahl (HSS) Werkzeugen ist ca. 1/5 der Drehzahl zu wählen.

Allgemein ausgedrückt:

Im Verhältnis je größer der Drehdurchmesser, desto niedriger die mögliche Drehzahl.

### Zum Beispiel:

Stahl (C15) mit 25mm Durchmesser erlaubt eine Drehzahl von

1600 U/min mit HM Werkzeug

320 U/min mit HSS Werkzeug

### Einstellen der Drehzahl:

Die Drehzahl darf nur bei Spindel- und Motorstillstand gewechselt werden.

Bringen Sie die Drehzahl Wahlhebel (E, F, Fig 14) in die gewünschte Stellung.

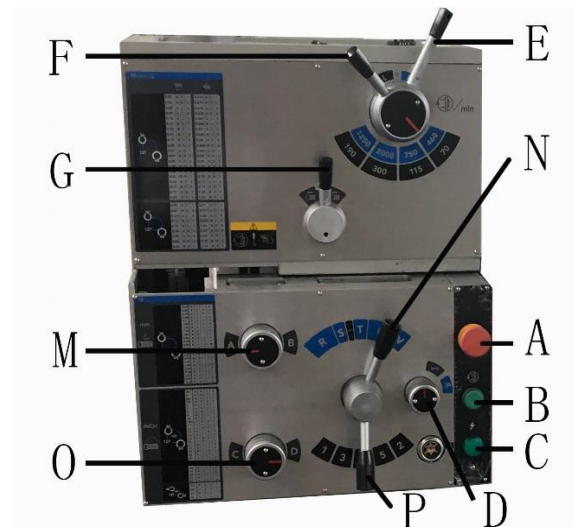


Fig 14

Drehen Sie bei Bedarf das Spannmittel von Hand um die Verzahnung in Eingriff zu bringen.

### 6.5 Automatischer Längsvorschub

Stellen sie den Wahlhebel (N, Fig 14) auf « $\sim$ » um unnötige Leitspindel-Rotation zu vermeiden.

Drehen sie den Drehknopf (D, Fig 17) auf « $\sim$ » um die Zugspindel einzukuppeln.

Mit den Wahlhebeln am Vorschubgetriebe (M, O, P, Fig 14) stehen jederzeit verschiedenen Längs- und Quervorschübe (Fig 15) zur Verfügung.

Die Vorschubrichtung kann am Wahlhebel (G, Fig14) gewählt werden.

mm / Ø

	←						
0.05	A	C	1	0.014	A	C	1
0.06	A	C	2	0.015	A	C	2
0.08	A	C	3	0.022	A	C	3
0.09	A	C	4	0.025	A	C	4
0.10	A	C	5	0.027	A	C	5
0.11	B	C	1	0.028	B	C	1
0.12	B	C	2	0.03	B	C	2
0.17	B	C	3	0.045	B	C	3
0.19	B	C	4	0.05	B	C	4
0.20	B	C	5	0.055	B	C	5
0.21	A	D	1	0.057	A	D	1
0.24	A	D	2	0.06	A	D	2
0.35	A	D	3	0.09	A	D	3
0.38	A	D	4	0.10	A	D	4
0.40	A	D	5	0.11	A	D	5
0.42	B	D	1	0.12	B	D	1
0.48	B	D	2	0.13	B	D	2
0.70	B	D	3	0.18	B	D	3
0.75	B	D	4	0.20	B	D	4
0.80	B	D	5	0.22	B	D	5

36  
127  
48

Fig 15

Weitere Vorschübe sind bei geänderter Wechselradsteckung möglich.

Schalten Sie den Vorschub Schaltheben (D, Fig 16):

- für Längsvorschub nach rechts und oben.
- für Quervorschub nach links und unten.

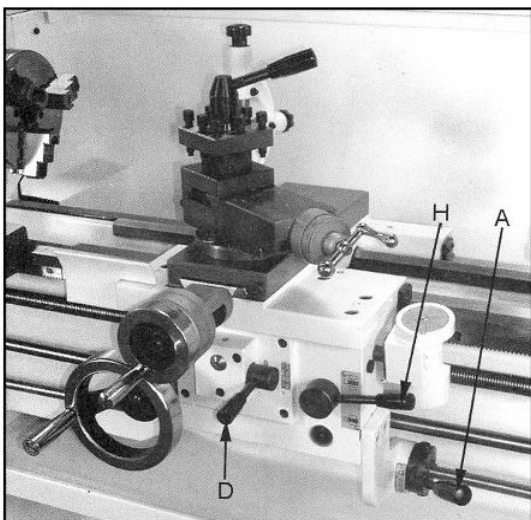


Fig 16

Der richtige Vorschub hängt vom zu zerspanenden Material, der Art der Zerspaltung, dem Schneidwerkzeug, der Stabilität der Werkstück-Einspannung, der Spantiefe und der gewünschten Oberflächenqualität ab.

### Zum Beispiel:

Außenzerspanung eines gut eingespannten 25mm Werkstücks aus Stahl (C15) mit einem HM Werkzeug bei 1255 U/min.

### Schruppzerspaltung:

Spantiefe 1,5mm  
Vorschub pro Umdrehung 0,2mm  
(Getriebeeinstellung B, C und 5)

### Schlichtoperation:

Spantiefe 0,5mm  
Vorschub pro Umdrehung 0.1mm  
(Getriebeeinstellung A, C und 5)

### Feinschlichtoperation:

Spantiefe 0,2mm  
Vorschub pro Umdrehung 0.05mm  
(Getriebeeinstellung A, C und 1)

Beim Schrumpfen großer Durchmesser die Spantiefe reduzieren!

### 6.6 Gewindeschneiden

Gewinde werden in mehreren Durchgängen mit einem Gewindeformstahl zerspant.

Die radiale Zustellung sollte jeweils ca. 0,2mm betragen, für die letzten Schlichtschnitte weniger.

Drehen sie den Drehknopf (D, Fig 17) auf « 0 » um unnötige Zugschindel-Rotation zu vermeiden.

Stellen Sie die Getriebe Wahlhebel (M, N, O, P, Fig 17) auf die gewünschte Position.

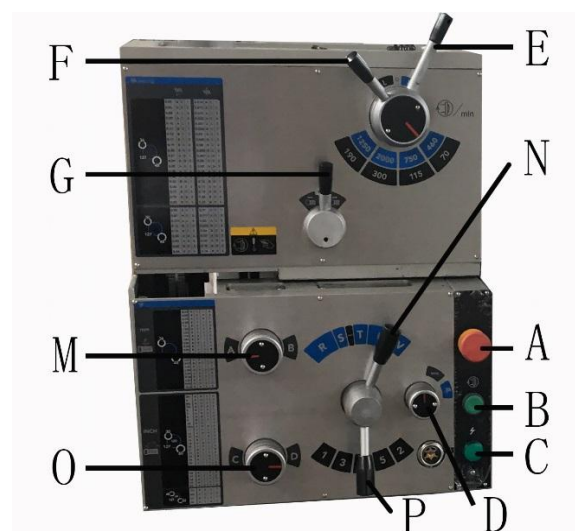


Fig 17

### A) Schneiden metrischer und zölliger Gewinde:

Stellen Sie die gewünschte Steigung und Spantiefe für den ersten Schnitt ein.

Schließen Sie die Schlossmutter (H, Fig 16).

Die Schlossmutter bleibt während der gesamten Gewindeschneidoperation geschlossen.

- Starten Sie die Maschine mit der langsamsten Drehzahl.
- Bei Schnittdende stoppen Sie den Motor und bringen gleichzeitig mittels Querschlitzenhub den Gewindestahl außer Eingriff (Achtung Nachlauf: Stoppen Sie den Motor rechtzeitig)
- Starten Sie den Motor in der Gegendrehrichtung bis sich der Drehstahl wieder in seiner Ausgangslage befindet.

Wiederholen Sie diese Schritte bis zur Fertigstellung des Gewindes.

### B) Schneiden metrischer Steigungen mit der Gewindeuhr:

Die meisten metrischen Steigungen können mit Einsatz der Gewindeuhr (G, Fig 7) geschnitten werden.

Hier kann nach jedem Arbeitsgang die Schlossmutter geöffnet und der Längsschlitten mittels Handrad in die Ausgangsstellung zurückgebracht werden.

Die Schlossmutter darf nur an den entsprechenden Gewindeuhr Skalenstrichen geschlossen werden.

### 6.7 Bohren

Zur Aufnahme von Spiral- und Zentrierbohrern ist ein Selbstzentrierendes Bohrfutter mit Einsteckzapfen MK 3 (optional) erforderlich.

Drehzahlempfehlungen entnehmen Sie bitte dem Kapitel 6.4

Zum Auswerfen des Bohrfutters die Reitstockpinole ganz zurückkurbeln.

## 7. Rüst- und Einstellarbeiten

### Allgemeine Hinweise:

**Vor Rüst- und Einstellarbeiten muss die Maschine gegen Inbetriebnahme gesichert werden.**

**Netzstecker ziehen und die Not-Aus Taste drücken!**

### 7.1 Wechselräder Steckung

#### Hinweis:

Die installierten Wechselräder 36T x 127T x 48T decken die meisten Vorschübe und metrischen Steigungen ab.

Die Wechselräder in der Werkzeugbox dienen zum Schneiden von zölligen Gewinden.

**Die Stromzufuhr durch Ziehen des Netzsteckers trennen.**

Lösen Sie die Sicherungsschraube und öffnen Sie die Riemenabdeckung.

Lösen Sie die Schraube (D, Fig 18) und die Mutter (F) um die Räderschere auszuschnwenken.

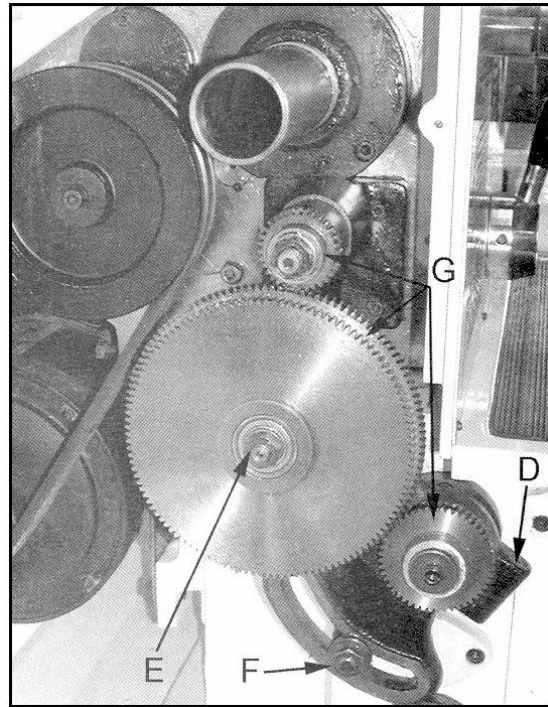


Fig 18

Wechseln Sie die Wechselräder (G) nach Bedarf.

Bringen Sie alle Wechselräder in Eingriff.

Das Einstellen des richtigen Zahnflankenspiels erleichtern Sie sich indem Sie einen Streifen normalen Papiers zwischen die Verzahnung klemmen (...und nachher wieder entfernen!).

Schließen und sichern Sie die Riemenabdeckung.

### 7.2 Drehen zwischen Spitzen

Das Werkstück im Drehherz spannen und zwischen den Spitzen einspannen.

Die Mitnahme erfolgt mittels Aufspannscheibe und Mitnehmerbolzen (Fig 19).

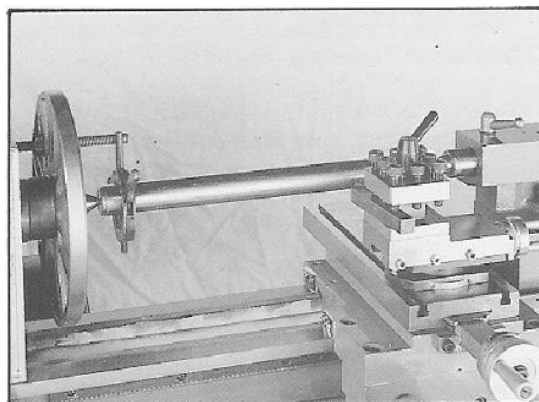


Fig 19

Schmieren Sie die Reitstock Körnerspitze um ein Verreiben zu verhindern.

### 7.3 Konusdrehen mit Reitstock

Bis zu einem Seitenwinkel von 5° können lange Konusse durch Querverstellung des Reitstockes gedreht werden.

Zur Verstellung die Reitstock-Klemmschraube (I, Fig 8) lösen.

Die Verstellechraube auf der Vorderseite herausdrehen (K) und auf der Rückseite entsprechend nachstellen.

Die Stellschrauben und die Reitstock-Klemmschraube wieder festziehen.

Das Werkstück muss zwischen den Spitzen aufgespannt werden. Die Mitnahme erfolgt mittels Drehherz, Mitnehmerbolzen und Planscheibe.

Nach Beendigung der Konusdreharbeiten wird der Reitstock in seine ursprüngliche Stellung zurückgestellt.

Drehen Sie zu Probe und justieren Sie bis die Maschine einwandfrei zylindrisch dreht.

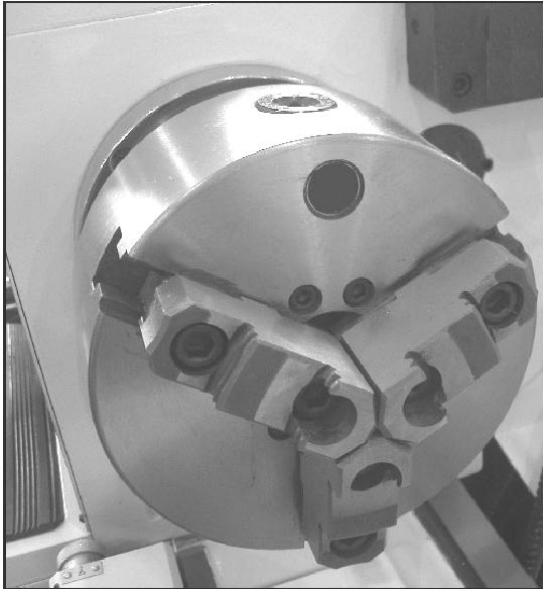
### 7.4 Konusdrehen mit Oberschlitten

Durch Verstellen des Oberschlittens können kurze Konusse gedreht werden.

Nach Lösen der beiden Sechskantmutter (J, Fig 6) lässt sich der Oberschlitten an Hand der Gradskala einstellen.

### 7.5 Universal Dreibackenfutter

Mit dem Universal Dreibackenfutter können zylindrische, dreieckige und sechseckige Werkstücke gespannt werden (Fig 20).



**Fig 20**

Wenden Sie die Aufsatzbacken zum Spannen großer Durchmesser.

Als Gleitmittel für die Backen empfehlen wir Molykote Paste G, oder ein gleichwertiges Fett.

### 7.6 Planscheibe

Dieses Drehfutter hat vier einzeln verstellbare Backen.

Dies ermöglicht das Spannen viereckiger und unsymmetrischer Werkstücke sowie das genau zentrische Ausrichten zylindrischer Teile.

### 7.7 Mitlaufkörnerspitze (optional)

Die Mitlaufkörnerspitze ist voll Wälzgelagert und für alle Drehzahlen über 500 U/min unbedingt zu empfehlen.

Zum Auswerfen des Mitlaufkörners die Reitstockpinole ganz zurückkurbeln.

### 7.8 Steh- und Lauflүнette

#### Stehlүнette

Die Stehlүнette dient vorwiegend zum Abstützen von längeren Werkstücken und sorgt für eine sichere und vibrationsfreie Bearbeitung.

Die Stehlүнette wird mit einer Untergriffplatte am Maschinenbett befestigt.

Stellen Sie die Gleitbacken spielfrei an das Werkstück ohne es zu klemmen.

Während des Laufs die Gleitbacken gut schmieren.

#### Mitlauflүнette

Die Mitlauflүнette wird auf den Längsschlitten aufgesetzt und macht so die Bewegung des Drehmeißels mit. Sie verhindert das Durchfedern von langen und dünnen Werkstücken unter dem Druck des Drehmeißels.

Stellen Sie die Gleitbacken spielfrei an das Werkstück ohne es zu klemmen.

Während des Laufs die Gleitbacken gut schmieren.

### 7.9 Bettbrücke Entfernung (GHB-1340A)

Ziehen Sie den Kegelstift (B, Fig 21) durch anziehen der Muttern (A).

Entfernen Sie die 4 Schrauben (C).

Die Bettbrücke kann nun abgehoben werden.



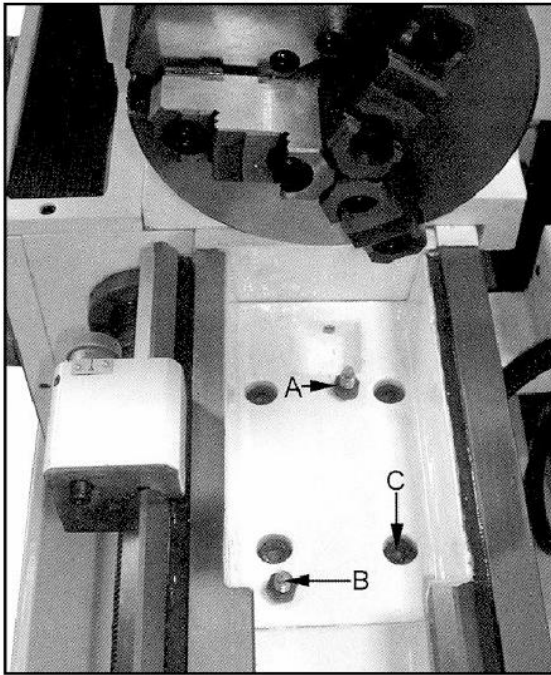


Fig 21

Reinigen Sie alle Kontaktflächen gründlich bevor Sie die Bettbrücke montieren.

Schrauben Sie die Muttern von den Kegelstiften und setzen Sie diese mit einem leichten Hammerschlag fest.

Die 4 Schrauben festziehen, die Muttern aufschrauben.

## 8. Wartung und Inspektion

### Allgemeine Hinweise:

**Vor Wartungs- Reinigungs- und Reparaturarbeiten muss die Maschine gegen Inbetriebnahme gesichert werden.**

### Netzstecker ziehen und die Not-Aus Taste drücken!

Reinigen Sie die Maschine in regelmäßigen Zeitabständen.

Beschädigte Sicherheitseinrichtungen sofort ersetzen.

Anschlüsse und Reparaturen der elektrischen Ausrüstung dürfen nur von einer Elektrofachkraft durchgeführt werden.

### 8.1 Schmierung jährlich

#### - Spindelstock:

#### Wechsel des Schmieröls (2,3 Liter)

#### HLP DIN 51524/ 2 ISO VG 46

(z.B. BP Energol HLP 46, Castrol Hyspin AWS 46, Shell Tellus 46, Mobil DTE 25 )

Der Ölstand muss bis zur Markierung der Ölstandsanzeige (A, Fig 22) reichen.

Die Nachfüllung erfolgt an der Verschluss-Schraube unter der Gummimatte.

#### Wechseln Sie das Öl nach dem ersten Betriebsmonat

Entfernen Sie die Verschluss-Schraube (B, Fig 23).

Entfernen Sie jeglichen Metallabrieb.

Füllen Sie mit neuem Öl auf.

Von nun an wechseln Sie das Öl jährlich (bzw. alle 700 Betriebsstunden).

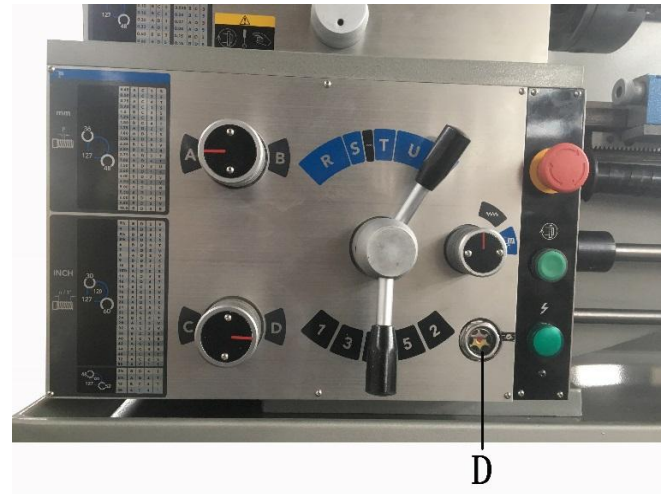


Fig 22

#### - Vorschubgetriebe:

#### Wechsel des Hydrauliköls (1,5 Liter)

#### HLP DIN 51524/ 2 ISO VG 68

(z.B. BP Energol HLP 68, Castrol Hyspin AWS 68, Shell Tellus 68, Mobil DTE Oil Heavy Medium)

Der Ölstand muss bis zur Markierung der Ölstandsanzeige (D, Fig 22) reichen.

Die Nachfüllung erfolgt an der Verschluss-Schraube (E, Fig 23).

#### Wechseln Sie das Öl nach dem ersten Betriebsmonat

Entfernen Sie die Verschluss-Schraube (F, Fig 23).

Füllen Sie mit neuem Öl auf.

Von nun an wechseln Sie das Öl jährlich (bzw. alle 700 Betriebsstunden).

#### - Schlosskasten:

#### Wechsel des Hydrauliköls (0,2 Liter)

#### HLP DIN 51524/ 2 ISO VG 68

(z.B. BP Energol HLP 68, Castrol Hyspin AWS 68, Shell Tellus 46, Mobil DTE Oil Heavy Medium)

Der Ölstand muss bis zur Markierung der Ölstandsanzeige (A, Fig 24) reichen.

Die Nachfüllung erfolgt an der Verschluss-Schraube (B).

#### Wechseln Sie das Öl nach dem ersten Betriebsmonat

Entfernen Sie die Verschluss-Schraube auf der Unterseite.

Füllen Sie mit neuem Öl auf.

Von nun an wechseln Sie das Öl jährlich (bzw. alle 700 Betriebsstunden).

## 8.2 Schmierung wöchentlich:

Wöchentlich alle Ölstandsanzeigen kontrollieren, bei Bedarf nachfüllen (siehe 8.1).

**Wöchentlich fetten:**

### DIN 51807/ 1 Haftfett

(z.B. BP L2, Mobilgrease Special).

#### - Zahnstange

Zahnstange durchgängig fetten.

#### - Wechselräder

Wechselräder Zähne leicht fetten (C, Fig 23).

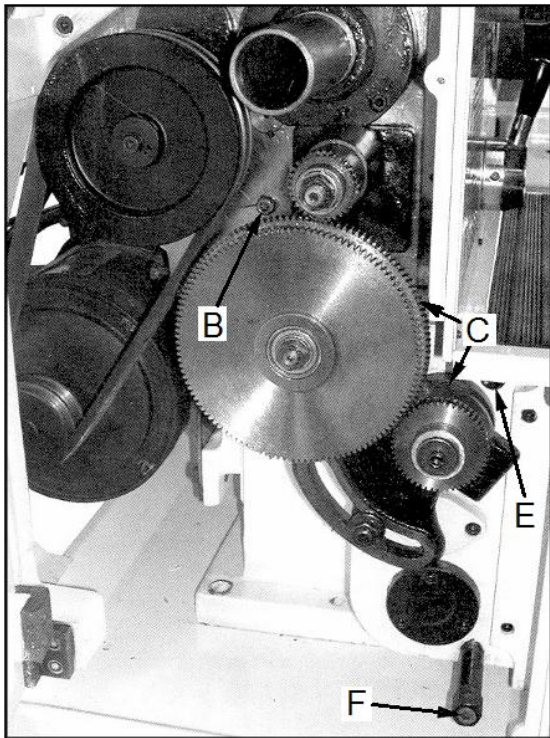


Fig 23

**Wöchentlich ölen:**

### DIN 51502 CG ISO VG 68

(z.B. BPMaccurat 68, Castrol Magna BD 68, Mobil Vectra 2)

#### - Leit- und Zugspindel

Auf ganzer Länge ölen.

## 8.3 Schmierung täglich:

**Täglich ölen:**

### DIN 51502 CG ISO VG 68

(z.B. BP Maccurat 68, Castrol Magna BD 68, Mobil Vectra 2)

#### - Vorschub Schalthebel

Ölen des Schmiernippels (C, Fig 24)

#### - Bettschlitten

Ölen der 2 Schmiernippel (D, Fig 24)

#### - Oberschlitten

Ölen der 3 Schmiernippel (F, Fig 25)

#### - Querschlitten

Ölen der 4 Schmiernippel (G, Fig 25)

#### - Bettschlitten Handrad

Ölen des Schmiernippels (H, Fig 25)

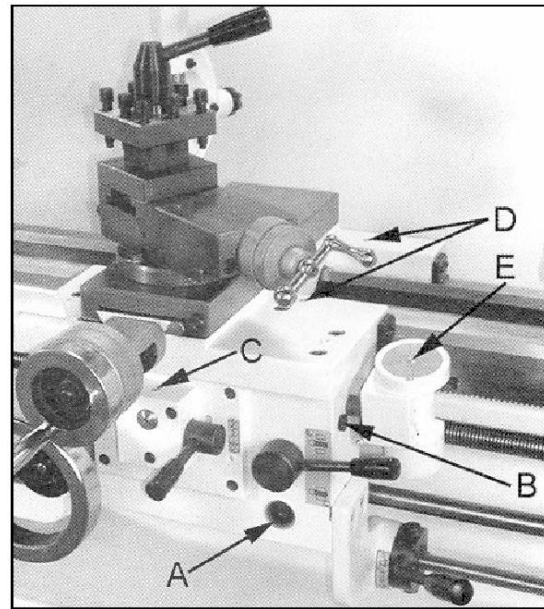
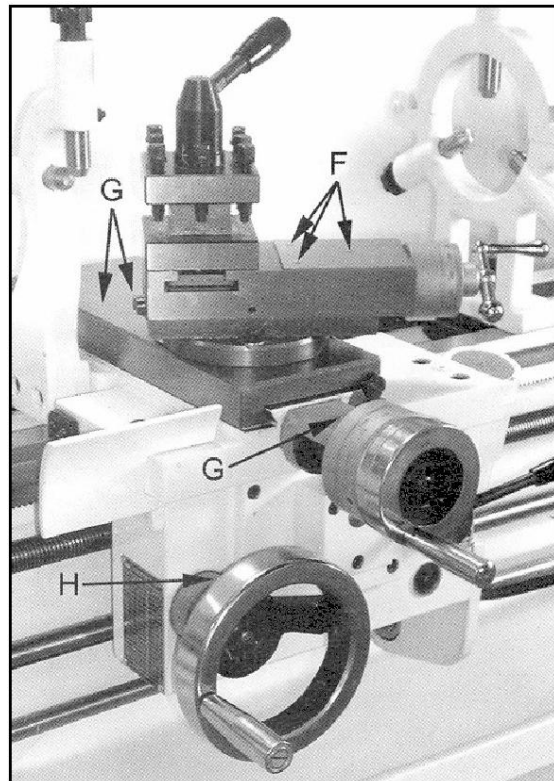


Fig 24



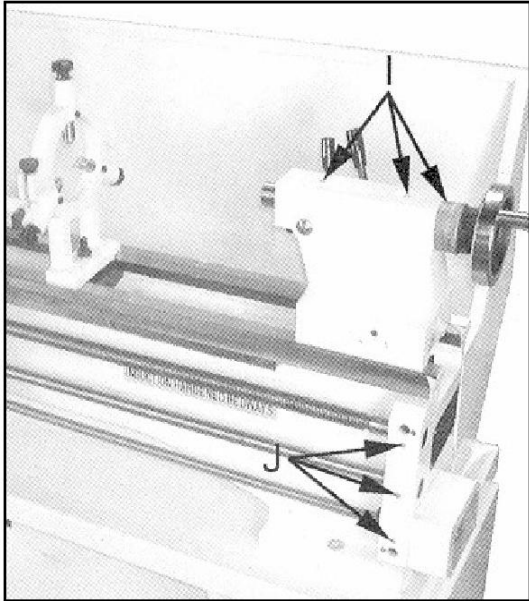
**Fig 25**

**- Reitstock**

Ölen der 3 Schmiernippel (I, Fig 26)

**- Leit- und Zugspindel Flansch**

Ölen der 3 Schmiernippel (J, Fig 26)

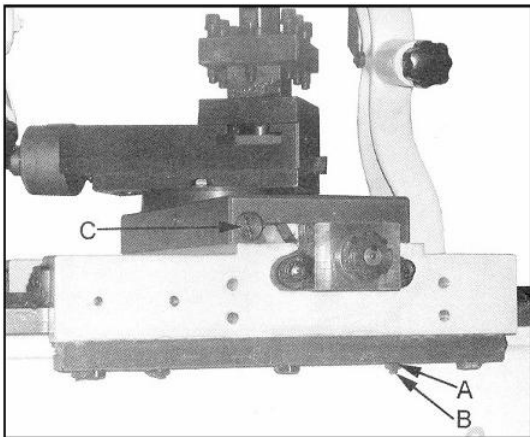


**Fig 26**

**8.4 Schlittenführung Nachstellung**

Alle Schlitten sind mit nachstellbaren Keilleisten ausgestattet.

Lösen Sie die hintere Klemmschraube(C, Fig 27) eine Umdrehung.



**Fig 27**

Stellen Sie an der vorderen Klemmschraube ca. 1/4 Umdrehung nach.

Prüfen Sie das Schlittenspiel und wiederholen Sie nach Bedarf.

Ziehen Sie die hintere Klemmschraube nur leicht fest.

**8.5 Bettschlitten Nachstellung**

Lösen Sie die 4 Muttern (A, Fig 27).

Ziehen Sie die 4 Gewindestifte (B) gleichmäßig nach.

Prüfen Sie das Schlittenspiel und wiederholen Sie nach Bedarf.

Blockieren Sie die Gewindestifte und ziehen Sie die Muttern fest.

**8.6 Scherstiftwechsel**

Leit- und Zugspindel sind mit Scherstiften versehen um den Antrieb bei Überlast zu Schützen.

Sollte ein Scherstift brechen, so ist er durch einen neuen zu ersetzen

Die Bohrungen zueinander ausrichten.

Den alten Scherstift mit einem Durchschlag entfernen.

Einen neuen Scherstift einsetzen.

**8.7 Spindelstock Ausrichtung**

Der Spindelstock wurde ab Werk genau ausgerichtet.

Prüfen Sie die Ebenheit des Maschinenbetts bevor Sie fortschreiten.

**Falls Ausrichtung erforderlich:**

Lösen Sie die 4 Bettbefestigungsschrauben.

Nur leicht lösen, etwas Haftung sollte bleiben.

Mit den seitlichen Stellschrauben den Spindelstock genau ausrichten.

Die Bettbefestigungsschrauben gut festziehen.

**9. Störungsabhilfe**

**Motor startet nicht**

\*Futterschutzoffen-

Futterschutzschließen

\*Räderdeckeloffen-

Räderdeckelschließen

\*Kein Strom-

Netzsicherung prüfen.

\*Motor, Schalter oder Kabel defekt-

Elektrofachkraft kontaktieren.

**Maschine vibriert**

\*Werkstück unwichtig-

Unwucht ausgleichen, Drehzahl reduzieren.

\*Werkstück instabil gespannt-

Einspannlänge oder -durchmesser verbessern, Reitstockende unterstützen.

\*Werkzeug instabil gespannt-

Werkzeu glänge reduzieren.

\*Schlitten haben Führungsspiel-



Führungsleisten einstellen.

\*Schlittenführungen laufen trocken-

Führungen ölen.

\*Werkzeugschneide stumpf-

Werkzeug schärfen oder tauschen.

\*Schnittdruck zu hoch-

Spantiefe oder Vorschub reduzieren.

#### **Drehstahl glüht aus**

\*Schnittgeschwindigkeit zu hoch-

Drehzahl reduzieren.

\*Werkzeugschneide verschlissen-

Werkzeug schärfen.

#### **Maschine dreht konisch**

\*Reitstock ist seitlich versetzt-

Reitstock ausrichten.

\*Maschinenbett ist verdreht-

Aufspannflächen müssen eben sein.

#### **Kein automatischer Vorschub**

\*Scherstift ist gebrochen-

Scherstift tauschen.

### **10. Umweltschutz**

#### **Schützen Sie die Umwelt!**

Ihr Gerät enthält mehrere unterschiedliche, wiederverwertbare Werkstoffe.

Bitte entsorgen Sie es nur an einer spezialisierten Entsorgungsstelle.



Dieses Symbol verweist auf die getrennte Sammlung von Elektro- und Elektronikgeräten, gemäß Forderung der WEEE-Richtlinie (2012/19/EU). Diese Richtlinie ist nur innerhalb der Europäischen Union wirksam.

### **11. Lieferbares Zubehör**

#### **Artikel Nr.: 465303**

Mitlaufkörnerspitze MK-3

#### **Artikel Nr.: 5000191**

5C Präzisions Spannzangenfutter

(Camlock D1-4)

#### **Artikel Nr.: 5000190**

5C Spannzangen-Set

17-teilig von 3 - 25mm

#### **Artikel Nr.: 321431**

Einfachstahlhalter

#### **Artikel Nr.: 321442**

Kegeldreheinrichtung

#### **Artikel Nr.: 350055**

Kühlmitteleinrichtung (230V)

Siehe auch die PROMAC Preisliste



# FR - FRANCAIS

## Mode d'emploi

Cher client,

Nous vous remercions de la confiance que vous nous portez avec l'achat de votre nouvelle machine PROMAC. Ce manuel a été préparé pour l'opérateur du **tour à métaux GHB-1330 / GHB-1340A**. Son but, mis à part le fonctionnement de la machine, est de contribuer à la sécurité par l'application des procédés corrects d'utilisation et de maintenance. Avant de mettre l'appareil en marche, lire les consignes de sécurité et de maintenance dans leur intégralité. Pour obtenir une longévité et fiabilité maximales de votre tour, et pour contribuer à l'usage sûr de la machine, veuillez lire attentivement ce mode d'emploi et suivre les instructions.

### Table des Matières

#### 1. Déclaration de conformité

#### 2. Prestations de garantie

#### 3. Sécurité

Utilisation conforme

Consignes de sécurité

Risques

#### 4. Spécifications

Données techniques

Emission de bruit

Contenu de la livraison

Description de la machine

#### 5. Transport et montage

Transport et mise en place

Montage

Raccordement au réseau électr.

Premier graissage

Mise en exploitation

Phase de démarrage

#### 6. Fonctionnement de la machine

Éléments de fonctionnement

Serrage des pièces d'œuvre

Montage des outils de tour

Choix de la vitesse

Avance longitudinale automatique

Filetage

Perçage

#### 7. Equipement et réglages

Montage roues de rechange

Tournage entre les pointes

Tourner 1 cône avec contre-pointe

Tourner 1 cône avec chariot sup.

Mandrin universel à 3 mors

Mandrin à 4 mors

Contre-pointe tournante

Lunettes fixe et mobile

Retrait du pont

#### 8. Entretien et inspection

Graissage annuel

Graissage hebdomadaire

Graissage quotidien

Ajustage des coulisses du chariot

Ajustage du chariot de table

Changement cheville de cisaillement

Positionnement poupée fixe

#### 9. Détecteur de pannes

#### 10. Protection de

l'environnement

#### 11. Accessoires

### 1. Déclaration de conformité

Par le présent et sous notre responsabilité exclusive, nous déclarons que ce produit satisfait aux normes conformément aux lignes directrices\* indiquées page 2.

Lors de la construction, les normes\*\* suivantes ont été respectées.

### 2. Garantie

TOOL FRANCE S.A.S garantit que le/les produit(s) fourni(s) est/sont exempt(s) de défauts matériels et de défauts de fabrication.

Cette garantie ne couvre pas les défauts, dommages et défaillances causés, directement ou indirectement,

par l'utilisation incorrecte ou inadéquate, la négligence, les dommages accidentels, la réparation, la maintenance

ou le nettoyage incorrects et l'usure normale.

Vous pouvez trouver de plus amples détails sur la garantie dans les conditions générales (CG).

Les CG peuvent être envoyées sur demande par poste ou par e-mail .

TOOL FRANCE S.A.S se réserve le droit d'effectuer des changements sur le produit et les accessoires à tout moment.

### 3. Sécurité

#### 3.1 Utilisation conforme

Ce tour à métaux convient seulement au tournage et au perçage des matières synthétiques et des métaux usinables. Le travail d'autres matériaux est interdit et ne peut être effectué que dans des cas spéciaux et après accord du fabricant de la machine.

### **Ne jamais usiner du Magnésium**

#### **Dangers d'incendies**

La pièce doit se laisser poser et serrer sans problème.

L'utilisation conforme implique le strict respect des instructions de service et de maintenance indiquées dans ce manuel.

La machine doit être exclusivement utilisée par des personnes familiarisées avec le fonctionnement, la maintenance et la remise en état, et qui sont informées des dangers correspondants.

L'âge minimum requis par la loi est à respecter.

La machine ne doit être utilisée que si elle est en parfait état.

N'utiliser la machine que si tous les dispositifs de sécurité et de protection sont en place.

En plus des directives de sécurité contenues dans ce mode d'emploi et des consignes de sécurité en vigueur dans votre pays, il faut respecter les règles générales concernant l'utilisation des machines pour le travail des métaux.

Toute utilisation sortant de ce cadre est considérée comme non-conforme et le fabricant décline toute responsabilité, qui est dans ce cas rejetée exclusivement sur l'utilisateur.

### **3.2 Consignes de sécurité**

L'utilisation non-conforme d'une machine pour le travail des métaux peut être très dangereuse. C'est pourquoi vous devez respecter scrupuleusement les consignes de lutte contre les accidents et les instructions suivantes.

Lire attentivement et comprendre ce mode d'emploi avant de monter ou d'utiliser votre appareil.

Conserver à proximité de la machine tous les documents fournis avec l'outillage (dans une pochette en plastique, à l'abri de la poussière, de l'huile et de l'humidité) et veiller à joindre cette documentation si vous cédez l'appareil.

Ne pas effectuer de modifications à la machine. Utiliser les accessoires recommandés, des accessoires incorrects peuvent être dangereux.

Contrôler chaque jour, avant d'utiliser la machine, les dispositifs de protection et le fonctionnement impeccable.

En cas de défauts à la machine ou aux dispositifs de protection avertir les personnes compétentes et ne pas utiliser la machine. Déconnecter la machine du réseau.

Avant de mettre la machine en marche, retirer cravate, bagues, montres ou autres bijoux et retrousser les manches jusqu'aux coudes. Enlever tous vêtements flottants et nouer les cheveux longs.

Porter des chaussures de sécurité, surtout pas de tenue de loisirs ou de sandales.

Porter équipement de sécurité personnel pour travailler à la machine.

Ne pas porter **de gants** pendant l'usinage.

Porter des lunettes de protection pendant le travail.

Placer la machine de sorte à laisser un espace suffisant pour la manœuvre et le guidage des pièces à usiner.

Veiller à un éclairage suffisant.

Placer la machine sur un sol stable et plat.

S'assurer que le câble d'alimentation ne gêne pas le travail ni ne risque de faire trébucher l'opérateur.

Retirer toute pièce encombrante de la zone de travail.

Rester vigilant et concentré et travailler avec bon-sens.

Eviter toute position corporelle anormale.

Veiller à une position stable et garder un bon équilibre à tout moment.

Ne travailler pas sous l'influence de drogues, d'alcool ou de médicaments.

Ne jamais mettre la main dans la machine en marche.

Ne jamais laisser la machine en marche sans surveillance.

Arrêter la machine avant de quitter la zone de travail.

Eloigner de la machine toutes personnes incompetentes surtout les enfants.

Ne pas mettre la machine à proximité de liquides ou de gaz inflammables, respecter les consignes de lutte contre les incendies, par ex le lieu et l'utilisation des extincteurs.

Préserver la machine de l'humidité et ne jamais l'exposer à la pluie.

N'utiliser que des outils bien affûtés.

Ne jamais travailler avec les protections de mandrin ou de courroie ouvertes.

Avant de débiter l'usinage, retirer la clé de montage de mandrin et autres outils.

Se tenir aux spécifications concernant la dimension maximale ou minimale de la pièce à usiner.

Ne pas enlever les copeaux et les pièces usinées avant que la machine ne soit à l'arrêt.

Ne pas se mettre sur la machine.

Tous travaux de branchement et de réparation sur l'installation électrique doivent être exécutés uniquement par un électricien qualifié.

Remplacer immédiatement tout câble endommagé ou usé. Eloigner suffisamment les doigts des outils en rotation et des copeaux.

Avant de commencer le travail, contrôler que la pièce est bien assurée.

Ne pas dépasser la limite de serrage du mandrin de tournage.

Pour le travail à la volée, ne serrer que des pièces courtes.

Si la longueur de la pièce est 3x supérieure au diamètre de serrage, il faut la tenir avec la contre-pointe.

Eviter le petit diamètre de serrage pour les gros diamètres de tournage.

Eviter les serrages courts.

La pièce d'œuvre doit être bien appuyée dans le mandrin.

La vitesse limite de l'accessoire de serrage ne doit jamais être dépassée.

Ne tarauder, fileter et usiner des pièces non-équilibrées qu'avec des petites vitesses de rotation.

Les barres dépassant le chariot doivent être munies sur toute leur longueur d'un dispositif de protection solide.

Danger de blessures graves!

Soutenir les pièces longues avec la lunette fixe. Une longue pièce étroite peut se courber tout à coup, si elle tourne très rapidement

Ne jamais déplacer le fourreau ou la contre pointe pendant que la machine tourne.

Ne retirer les copeaux que sur la machine arrêtée et à l'aide d'un crochet spécial.

Ne pas freiner le mandrin ou l'outil avec la main.

N'opérer des mesures ou des réglages que sur la machine à l'arrêt.

Faire tous les travaux de réglage et les changements d'outil sur la machine arrêtée et dont la prise sont débranchés.

### 3.3 Autres risques

Même en respectant les directives et les consignes de sécurité les risques suivants existent :

Danger de blessures par outils ou mandrin en rotation.

Danger par pièces éjectées, copeaux et outils brûlants

Risque de nuisances par copeaux et bruit.

Pour travailler à la machine, porter absolument des équipements de sécurité personnels tels que lunettes, protège-oreilles et pare-poussières.

Danger par câble électrique endommagé, usé ou mal branché.

## 4. Spécifications

### 4.1 Indications techniques

#### GHB-1330:

∅ tournage s/ banc	330mm
∅ tournage s/ chariot	197mm
Distance entre pointes	760mm
Largeur du banc	186mm
Dimensions	1650 x 760 x 1200mm
Poids	600 kg

#### GHB-1340A:

∅ tournage s/ banc	330mm
∅ tournage s/ pont	476mm
∅ tournage s/ chariot	197mm
Distance entre pointes	1015mm
Largeur du banc	186mm

Dimensions	1905 x 760 x 1200mm
Poids	650 kg
<b>GHB-1330/ GHB-1340A:</b>	
Cône de broche	CM-5
Broche DIN 55029 (Camlock)	D1-4
Passage d'arbre	∅38 mm
Vitesses..8	70-2000T/min
∅ lunette fixe	6 – 67mm
∅ lunette mobile	6 – 70mm

Course du canon	95mm
Diam. du canon	32mm
Cône du canon	CM-3
Course chariot transversal	160mm
Course chariot sup.	68mm
Section max. outils	16 x 16 mm
Pas de la vis-mère	4mm
Avance longitudinale...40	0,037–0,989mm/T
Avance latérale...40	0,01–0,268mm/T
Filets métriques..23	0,45–10mm/T
Filets en pouces ...32	3-1/4 – 80 TPI
Voltage	400V ~3L/PE 50Hz
Puissance	1,5 kW (2 CV) S1
Courant électrique	4A
Raccordement (H07RN-F)4x1,5mm <sup>2</sup>	
Fusible du secteur élect.	16A

### 4.2 Emission de bruit

Niveau de pression sonore (selon EN ISO 11202).

Marche à vide (vitesse max) LpA 78,4 dB(A)

Les indications données sont des niveaux de bruit et ne sont pas forcément les niveaux pour un travail sûr.

Cette information est tout de même importante, ainsi l'utilisateur peut estimer les dangers et les risques possibles.

### 4.3 Contenu de la livraison

Socle de machine

Bac à copeaux

Carter de protection

Mandrin universel à 3 mors 160mm

Plateau circulaire 200mm

Plaque de fixation 300mm

Porte-outils (4)

- Lunette fixe
- Lunette mobile
- Jeu de roues de rechange
- 2 Pointes fixes CM-3
- Réducteur CM3/ CM5
- Compteur de filetage
- Outils de travail dans un coffret
- Burette à huile
- Tiges de levage
- Mode d'emploi
- Liste des pièces de rechange

#### 4.4 Description de la machine

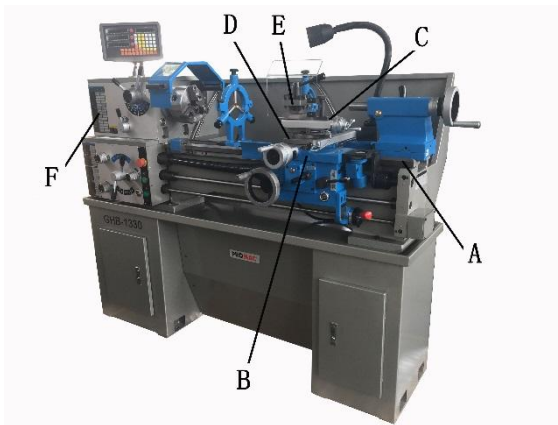


Fig 1

- A....Bâti de machine
- B....Chariot de table
- C....Chariot supérieur
- D....Chariot transversal
- E....Porte outils (4)
- F....Poupée fixe

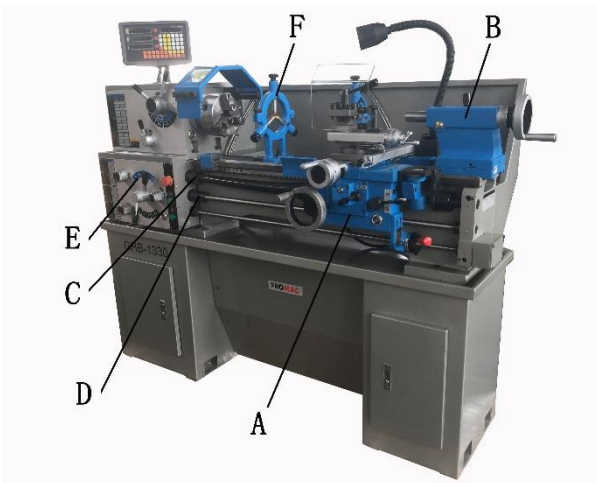


Fig 2

- A....Tablier du chariot
- B....Contre-pointe

- C....Vis-mère
- D....Broche de chariotage
- E....Engrenage d'entraînement
- F....Lunette fixe
- G....Lunette mobile

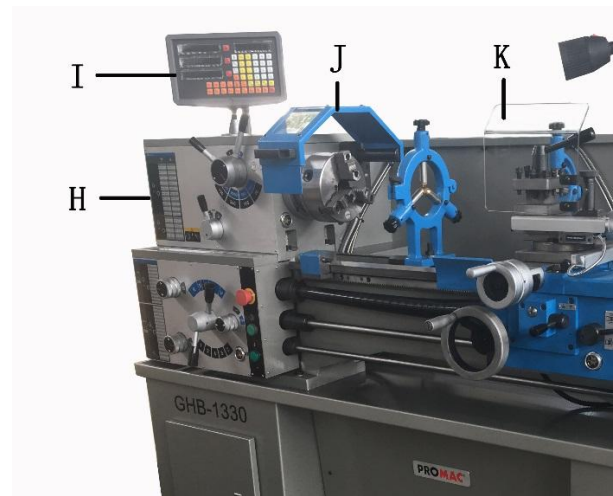


Fig 3

- H....Cache-courroie
- I.....Affichage de la position – 3 axes (option)
- J....Protège-mandrin
- K....Protège porte outils

## 5. Transport et mise en exploitation

### 5.1. Transport et installation

La machine est livrée sur une palette, sous emballage fermé  
 Pour le transport, utiliser un élévateur courant ou un chariot à fourche. Assurer la machine pour qu'elle ne tombe pas pendant le transport.

Effectuer le montage de la machine dans un local fermé, les conditions générales d'atelier suffisent.

### 5.2 Montage

Si vous constatez des dégâts de transport lors du déballage, avertir immédiatement votre fournisseur et ne pas monter la machine.

Eliminer l'emballage dans le respect de l'environnement.

Enlever la protection anti-rouille avec du pétrole, du gas-oil ou un dissolvant doux

Dévisser la machine de la palette

Positionner le chariot du bâti et la contre-pointe sur la droite  
 Monter les tringles de levage, livrées avec la machine, sur le bâti (voir Fig 4).

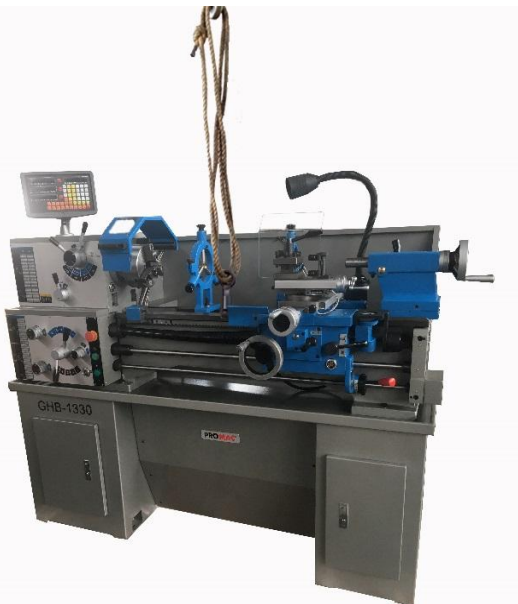


Fig 4

### Attention

**La machine est lourde !**

**GHB-1330.....600kg**

**GHB-1340A....650kg**

**Veiller à la capacité suffisante et au parfait état de l'engin de levage. Ne jamais se placer sous la machine en suspens.**

Utiliser un niveau afin de positionner le bâti horizontalement. Serrer ou relâcher les vis de montage, au besoin utiliser des rondelles.

L'exactitude du travail n'est atteinte que sur une machine posée à plat.

### 5.3 Raccordement au réseau électr.

Le raccordement ainsi que les rallonges utilisées doivent correspondre aux instructions. Le voltage et la fréquence doivent être conformes aux données inscrites sur la machine.

Le fusible de secteur électrique doit avoir 16A.

Utiliser pour le raccordement des câbles H07RN-F.

Tous les travaux de branchement et de réparation sur l'installation électrique doivent être exécutés uniquement par un électricien qualifié.

Le raccordement électrique se fait sur la borne plate du boîtier de commande.

### 5.4 Premier graissage

Avant la mise en service de la machine, il faut graisser tous les points d'huilage et veiller à ce que tous les réservoirs à lubrifiants soient à niveau.

Le non-respect de cette mesure entraîne des dégâts importants.

(Voir « Graissage », chapitre 8)

**Après un mois de travail sur la machine, il faut changer l'huile du corps de poupée fixe, de l'engrainage d'entraînement et du tablier du chariot.**

### 5.5 Mise en exploitation

**Avant de mettre la machine en route, contrôler l'accessoire de serrage et le bon blocage de la pièce d'œuvre (Voir chapitre 6.2).**

La broche peut être mise en route avec le levier interrupteur (I, Fig 6)

- à droite et en bas pour l'avance

- à droite et en haut pour le recul

Pour arrêter la machine, mettre l'interrupteur à zéro.

La touche (B, Fig 5) est utilisée pour faire bouger la broche lors du fonctionnement par impulsions

Le bouton d'arrêt d'urgence (A, Fig 5) arrête toutes les fonctions de la machine.

### Attention :

La machine reste sous tension

Déverrouiller le bouton d'arrêt d'urgence en le tournant dans le sens des aiguilles d'une montre.

### Note:

Le cache courroie (H, Fig 3) et le protège mandrin (J) sont surveillés par interrupteurs électrique. Pour démarrer la machine il faut les fermer.

### 5.6 Phase de rodage

Laisser à l'engrenage le temps de se roder.

Pendant les 6 premières heures ne travailler pas à plus de 755 T/min

## 6. Fonctionnement de la machine

Attention.

Avant les travaux d'équipement et de réglages, la machine doit toujours être assurée contre la mise en route.

Déconnecter la machine du réseau et appuyer sur le bouton d'arrêt d'urgence.

Faire toutes les mesures et les réglages sur la machine à l'arrêt.

Avant de débiter l'usinage, contrôler que la pièce d'œuvre est bien fixée.

Ne pas freiner le mandrin ou l'outil avec la main.

Garder les doigts à une distance suffisante des éléments en rotation et des copeaux.

Ne retirer les copeaux que sur la machine arrêtée et à l'aide d'un crochet spécial.

Ne jamais travailler en laissant le protecteur du mandrin ou le cache-roues ouverts.

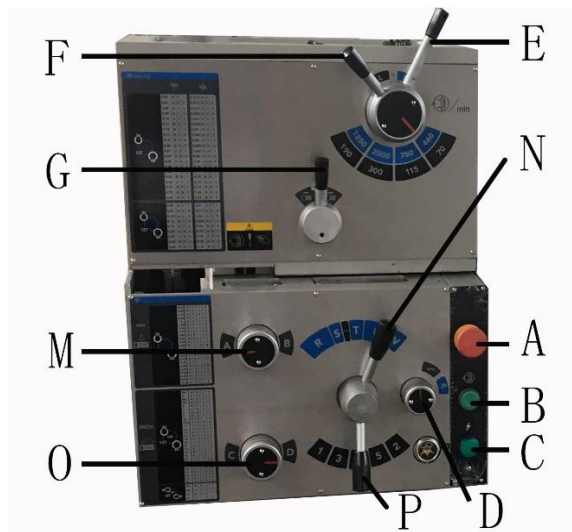
Pour tarauder, fileter et usiner des pièces non équilibrées, ne travailler qu'à des petites vitesses.

Ne jamais usiner du magnésium-

Danger d'incendie!

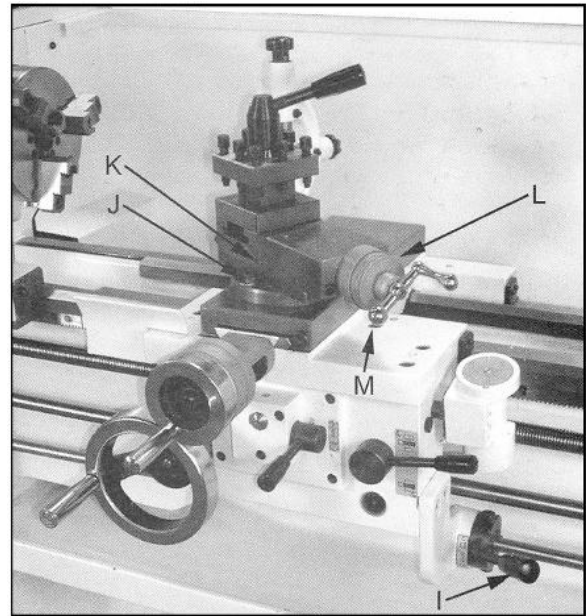
**En cas de danger appuyer sur le bouton d'arrêt d'urgence.**

### 6.1 Eléments de fonctionnement



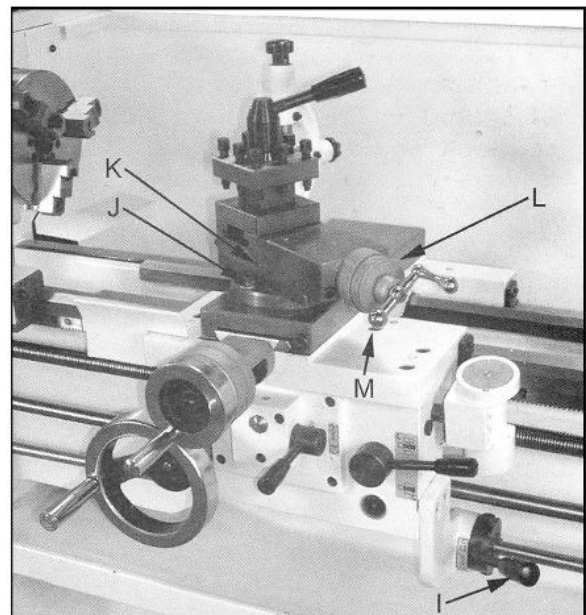
**Fig 5**

- A....Bouton d'arrêt d'urgence
- B....Touche de fonctionnement de la broche par impulsions
- C....Témoin branchement au secteur
- D...Barre de chariotage marche/ arrêt
- E....Broche rapide/ lente
- F....Levier sélection vitesse de broche
- G....Levier sélec. sens d'entraînement
- M....Levier sélection d'entraînement
- N.... Levier d'engrenage, arrêter la tige filetée ("P")
- O.... Levier sélection d'entraînement
- P.... Levier sélection d'entraînement



**Fig 6**

- I....Levier marche/arrêt broche
- J....Disp. verrouillage du pivotement du chariot supérieur
- K....Verrouillage chariot sup.
- L....Verrouillage chariot transversal



**Fig 7**

- A....Volant chariot longitudinal
- B....Levier d'avancement
- C....levier écrou embrayable vis-mère
- D....Volant chariot transversal
- E....volant chariot supérieur
- F....Levier de serrage porte outils (4)
- G....Compteur de filetage



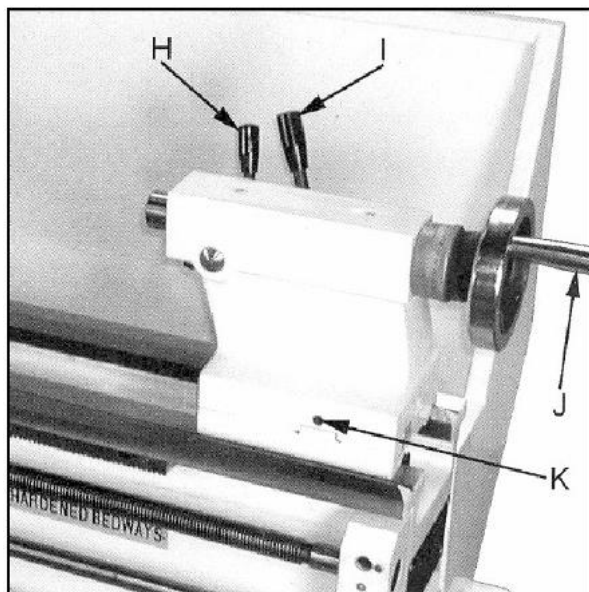


Fig 8

H...Manette de serrage de broche de contre-pointe

I...Manette de serrage de contre-pointe

J...Volant broche de contre-pointe

K...Positionnement transversale contre-pointe

## 6.2 Serrage des pièces d'œuvre

### Démontage accessoire de serrage:

Avant le démontage de l'accessoire de serrage, protéger le bâti avec une planche.

Tenir l'accessoire de serrage pendant que les 3 pinces excentrées Camlock sont tournées d' $\frac{1}{4}$  de tour dans le sens inverse des aiguilles d'une montre.

Faire coïncider les marques l'une contre l'autre (A, Fig 9).

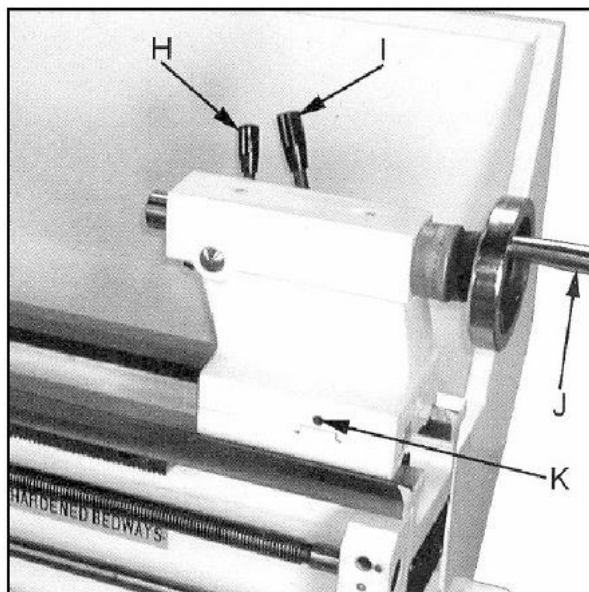


Fig9

Retirer le dispositif de serrage avec précaution.

Nettoyer les surfaces de contact.

### Montage de l'accessoire de serrage:

Presser l'accessoire de serrage avec la main contre le nez de broche.

Tendre les pinces excentrées Camlock dans le sens des aiguilles d'une montre.

La marque de la pince excentrée (A) doit se trouver entre les 2 flèches (B). Si ce n'est pas le cas, visser ou dévisser d'un tour les boulons de l'accessoire de serrage Camlock

Bloquer les 3 pinces excentrées Camlock.

### Attention:

Ne pas dépasser les limites de la vitesse de rotation de l'accessoire de serrage.

La denture des mors de serrage et celle de la spirale doivent toujours être complètement engrenées. Les mors de serrage dépassant le diamètre du mandrin peuvent se casser et être éjectés à travers l'atelier. (Fig 10).

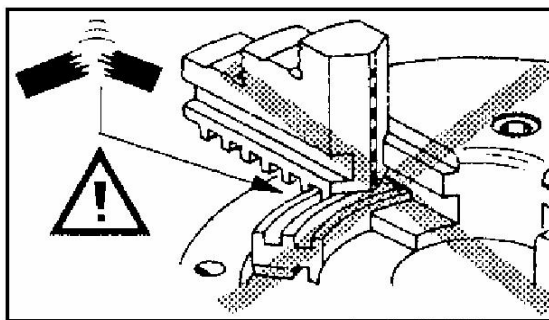


Fig 10

Eviter le serrage libre de pièces trop longues, elles peuvent se courber (Fig 11) ou être arrachées du mandrin (Fig 12), les appuyer avec la contre-pointe ou la lunette.

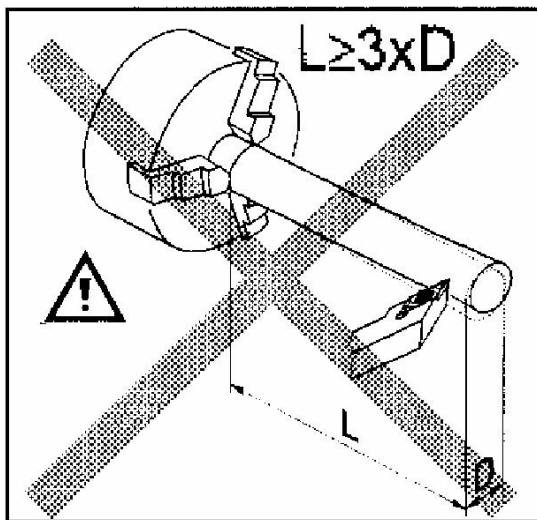


Fig 11

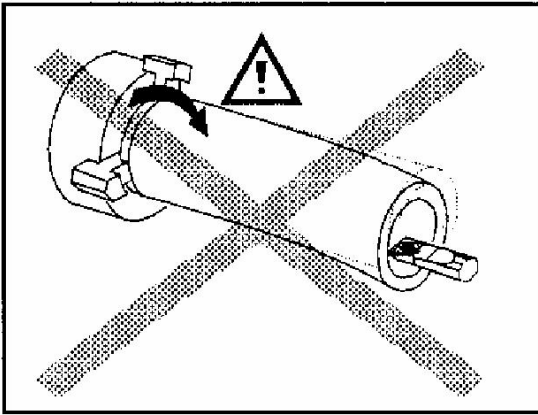


Fig 12

Eviter un serrage court (A, Fig 13) ou le serrage sur un petit diamètre (B).

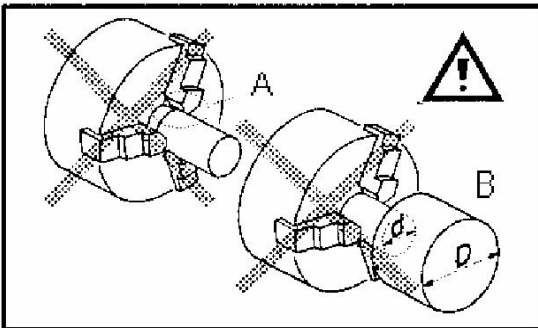


Fig 13

Veiller à un serrage de la pièce avec appui axial.

### 6.3 Fixation du burin de tournage

L'angle de coupe n'a sa grandeur désirée que lorsque le tranchant du burin est réglé au centre de l'axe de la pièce.

La hauteur exacte du burin est obtenue en plaçant le burin à la hauteur de la contre-pointe au moyen de cales d'épaisseur.

Fixer le burin sur la tourelle porte-outils avec au moins deux vis.

Le fixer court, éviter un grand porte à faux du burin.

### 6.4 Choix de la vitesse de broche

La vitesse de broche adéquate dépend du genre d'usinage à effectuer, du diamètre de tournage, de la pièce et du type de burin.

Les recommandations des nombres de tours sont valables pour un  $\varnothing$  de 50mm usiné avec un burin en métal dur (HM).

Aluminium, laiton	1500 T/min
Fonte grise:	1000 T/min
Acier (C15):	800 T/min
Acier (C45):	600 T/min
Acier inox:	300 T/min

Lors de l'utilisation d'outils en acier rapide (HSS) la vitesse à choisir est d'env. 1/5 de ces nombres de tours.

D'une façon générale, on peut dire: en proportion, plus le  $\varnothing$  est gros, plus la vitesse de rotation possible est lente.

### Par exemple:

Acier (C15) avec 25mm de  $\varnothing$  permet une vitesse de:

1600 T/min avec outil HM

320 T/min avec outil HSS

### Réglage de la vitesse de rotation:

Ce changement ne doit s'opérer que sur la broche et le moteur à l'arrêt

Positionner le levier de choix de vitesse (E, F, Fig 14) dans la position souhaitée.

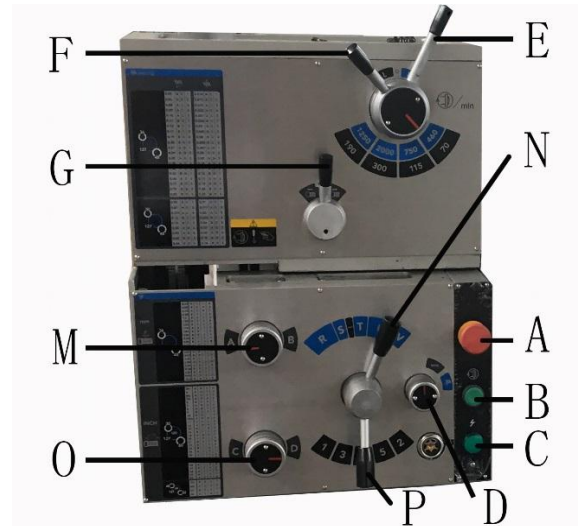


Fig 14

Au besoin tourner l'accessoire de serrage à la main pour faire rentrer les dents dans l'engrènement.

### 6.5 Avance longitudinale automatique

Mettre le levier (N, Fig 14) a position « $\nabla\nabla$ » pour arrêter la tige filetée.

Tourner le bouton (D) a position « $\nabla\nabla$ » pour enclencher la barre de chariotage.

Le choix de l'avance longitudinale ou transversale (Fig 15) est possible en permanence grâce au levier de sélection d'entraînement (M, O, P, Fig 14).

Le sens de l'entraînement peut être choisi par le levier (G, Fig 14).

mm /  $\varnothing$

0.05	A	C	1	0.014	A	C	1
0.06	A	C	2	0.015	A	C	2
0.08	A	C	3	0.022	A	C	3
0.09	A	C	4	0.025	A	C	4
0.10	A	C	5	0.027	A	C	5
0.11	B	C	1	0.028	B	C	1
0.12	B	C	2	0.03	B	C	2
0.17	B	C	3	0.045	B	C	3
0.19	B	C	4	0.05	B	C	4
0.20	B	C	5	0.055	B	C	5
0.21	A	D	1	0.057	A	D	1
0.24	A	D	2	0.06	A	D	2
0.35	A	D	3	0.09	A	D	3
0.38	A	D	4	0.10	A	D	4
0.40	A	D	5	0.11	A	D	5
0.42	B	D	1	0.12	B	D	1
0.48	B	D	2	0.13	B	D	2
0.70	B	D	3	0.18	B	D	3
0.75	B	D	4	0.20	B	D	4
0.80	B	D	5	0.22	B	D	5

36  
127  
48

Fig 15

D'autres entraînements sont possibles en changeant la position des roues de rechange.

Enclencher le levier d'engrenage (D, Fig 16):

- à droite et en haut pour l'avance longitudinale.
- à gauche et en bas pour l'avance latérale.

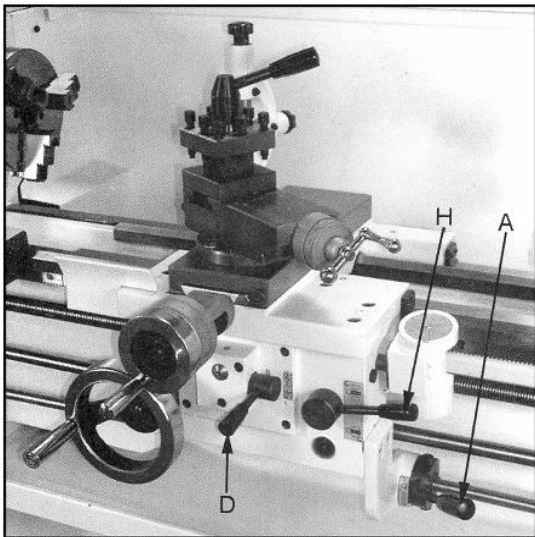


Fig 16

L'avance adéquate dépend de la matière à usiner, de la manière d'usinage, de l'outil de coupe, de la stabilité du serrage de la pièce, de la profondeur de passe, et du choix de la finition souhaitée.

### Par exemple:

Usinage extérieur d'une pièce d'œuvre bien serrée en acier (C15) de 25 mm avec un outil HM par 1255 T/min.

#### Travail d'ébauche:

Profondeur de passe 1,5mm

Avance par tour 0,2mm

(Réglage d'engrenage B, C et 5)

#### Ajustement exact:

Profondeur de passe 0,5mm

Avance par tour 0.1mm

(Réglage d'engrenage A, C et 5)

#### Finition:

Profondeur de passe 0,2mm

Avance par tour 0.05mm

(réglage d'engrenage A, C et 1)

Pour l'ébauche de gros diamètres, réduire la profondeur de passe!

### 6.6 Filetage

Les filets sont usinés en plusieurs passes avec un burin à fileter. La profondeur de passe radiale devrait être de 0,2mm env. chacune et d'un peu moins pour les dernières passes de finition.

Tourner le bouton (D) a position « 0 » pour arrêter la barre de chariotage.

Positionner les leviers d'engrenage (M, N, O, P, Fig 17) sur la position souhaitée.

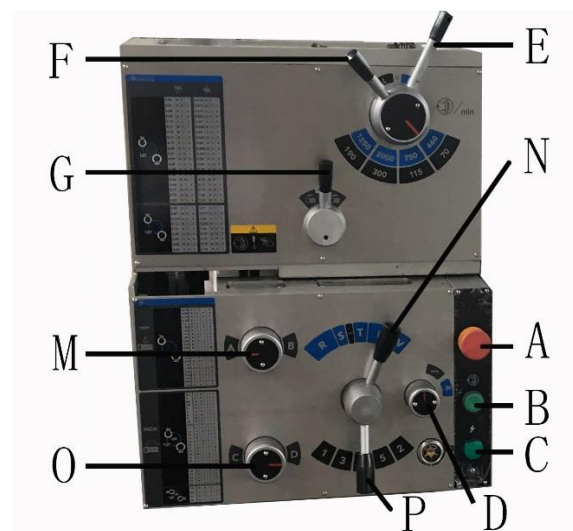


Fig 17

#### A) Filetage de pas métriques et en pouce:

Pour la première passe, régler le pas et la profondeur de passe désirés.

Fermer l'écrou vis-mère (A, Fig 16).

L'écrou vis-mère reste fermé pendant toute l'opération de filetage.

- Enclencher la machine avec la vitesse la plus lente.
  - A la fin du filet, arrêter le moteur tout en désengrenant le burin à temps au moyen de la coulisse transversale. (Attention à l'inertie: arrêter le moteur assez tôt)
  - Enclencher le moteur en marche inverse jusqu'à ce que le burin se retrouve à sa position de départ.
- Répéter ces opérations jusqu'à ce que le filetage soit terminé.

## B) Filetage de pas métriques avec le compteur de filetage:

La plupart des pas métriques peuvent être filetés avec le compteur de filetage (G, Fig 7). Pour cela l'écrou de la vis-mère peut être ouvert après chaque étape de travail et le chariot longitudinal peut être remis en position initiale avec le volant.

L'écrou de vis-mère ne peut être raccordé qu'à la graduation correspondante du compteur de filetage.

### 6.7 Perçage

Pour la fixation de foret hélicoïdal et d'alésoir de centrage, il est nécessaire d'utiliser un mandrin auto-centrant CM3 (en option).

Recommandations concernant les vitesses de rotation: voir chapitre 6.4.

Pour éjecter le mandrin de perçage, reculer complètement la broche de contre-pointe.

## 7. Travaux d'équipement et de réglages

### Informations générales:

**Avant les travaux de mise en route et de réglage, la machine doit être assurée contre la mise en route.**

**Retirer la prise électrique et appuyer sur le bouton d'arrêt d'urgence!**

### 7.1 Mise en place des roues de rechange.

#### Remarque :

Les roues de rechange 36T x 127T x 48T installées permettent d'effectuer la plupart des avancements et des pas de vis métriques.

Les roues de rechange du coffret d'outils permettent le filetage de filets en pouces.

#### Couper le courant en retirant la prise.

Desserrer la vis de sécurité et ouvrir le cache-courroie.

-Desserrer la vis (D, Fig 18), et l'écrou (F) pour faire pivoter la lyre.

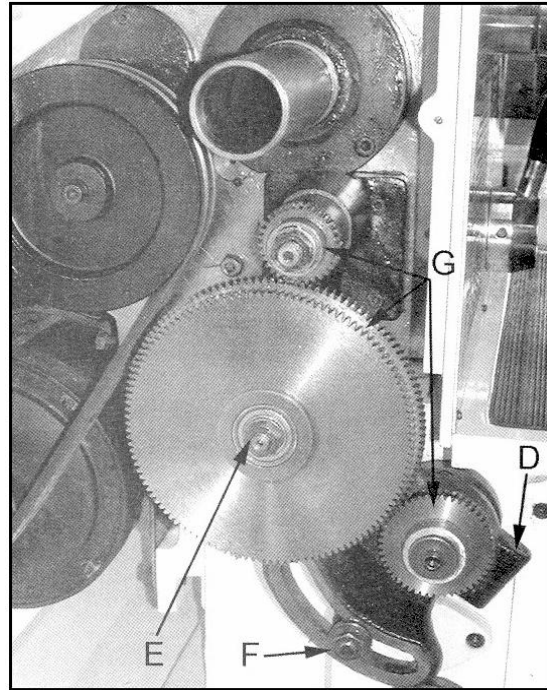


Fig 18

Changer les roues (G) suivant les besoins.

Engrener les roues de rechange.

Pour faciliter le positionnement exact des dents, poser une bande de papier entre les engrenements (la retirer ensuite).

Fermer et verrouiller le cache-courroie.

### 7.2 Tournage entre les pointes

Fixer la pièce d'œuvre dans le toc, puis entre les pointes.

L'entraînement se fait par le plateau et la broche d'entraînement (Fig 19).

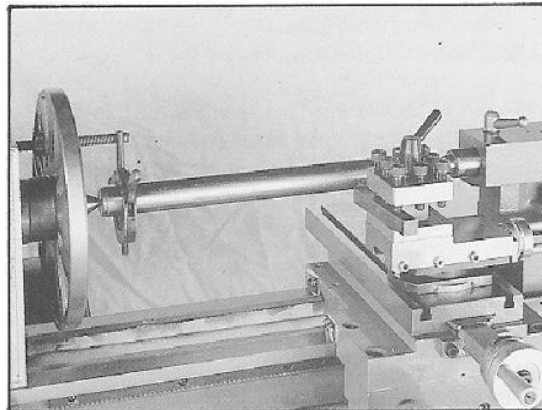


Fig 19

Afin d'éviter le frottement, graisser la contre-pointe et la pointe mobile.

### 7.3 Tournage conique avec la contre-pointe

Il est possible de tourner des cônes longs, jusqu'à un angle latéral de 5°, en déplaçant la contre-pointe latéralement.

Pour déplacer la contre-pointe, desserrer la vis de blocage (I, Fig 8)

Dévisser la vis de réglage située devant (K) et régler avec la vis située derrière. Serrer la vis de réglage et celle de blocage de la contre-pointe.

La pièce doit être serrée entre les points. L'entraînement se fait au moyen du plateau, de la broche et du toc.

Lorsque le travail de tournage conique est terminé, remettre la contre-pointe dans sa position initiale.

Faire un tournage d'essai et ajuster la contre-pointe jusqu'à ce que le tournage soit parfaitement cylindrique.

#### 7.4 Tournage conique avec le chariot supérieur

En réglant le chariot supérieur, il est possible de tourner des cônes courts.

Après le desserrage des deux écrous à six pans (J, Fig 6), on peut régler le chariot supérieur selon la graduation.

#### 7.5 Mandrin universel à trois mors

Avec le mandrin universel à trois mors, il est possible de serrer des pièces cylindriques, triangulaires et hexagonales (Fig 20).

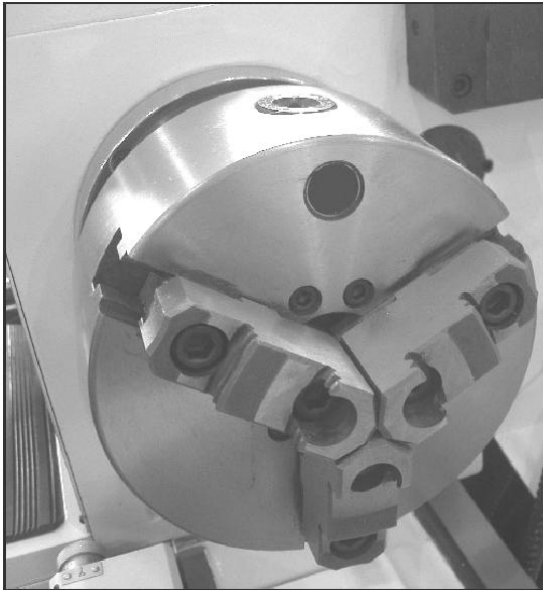


Fig 20

Pour le serrage de gros diamètres, il faut retourner les mors rapportés.

Pour le graissage des mors, nous conseillons l'usage de pâte Molykote-G, ou d'une graisse de qualité égale.

#### 7.6 Plateau circulaire

Ce mandrin de serrage a quatre mors réglables séparément.

Ceci permet de serrer des pièces carrées ou asymétriques, ou de centrer parfaitement des pièces cylindriques.

#### 7.7 Contre-pointe rotative (option)

La contre-pointe rotative est équipée de paliers à roulements à aiguilles de précision. Elle est absolument recommandée pour les vitesses supérieures à 500 T/min

Pour éjecter le mandrin de perçage, reculer complètement le fourreau de broche.

#### 7.8 Lunettes fixe et mobile

##### Lunette fixe

La lunette fixe sert principalement à soutenir les pièces longues et garantit un usinage sûr, exempt de vibrations.

La lunette fixe est montée sur le banc du tour et bloquée par une bride.

Tourner les vis moletées jusqu'à ce que tous les mors lisses touchent la pièce, sans la bloquer.

Pendant le tournage, graisser bien les mors lisses.

##### Lunette mobile

La lunette mobile est fixée sur le chariot longitudinal et suit le mouvement du burin. Elle évite que les pièces longues et minces fléchissent sous la poussée de l'outil de coupe.

Ajuster les mors lisses sans qu'ils aient du jeu et sans qu'ils bloquent.

Pendant le tournage, graisser bien les mors lisses.

#### 7.9 Retrait du pont de table (GHB-1340A)

Tirer les vis coniques (B, Fig.21). en tirant les écrous(A).

Retirer les 4 vis (C).

Le pont de table peut être retiré.

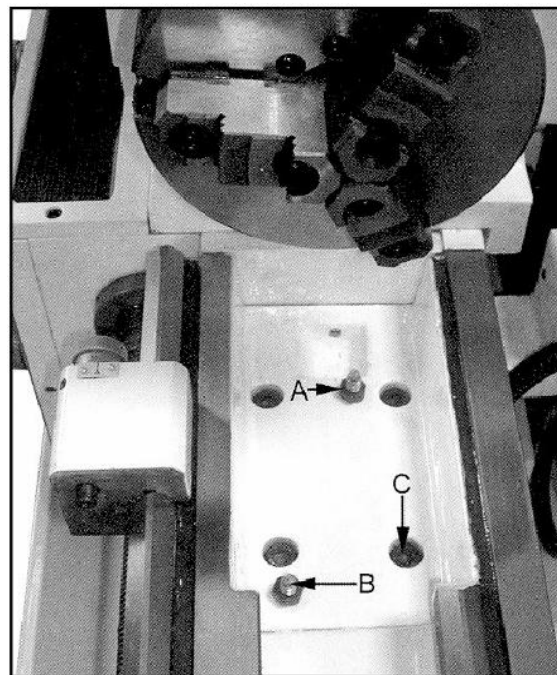


Fig 21



Nettoyer toutes surfaces de contact avant de monter le pont de table.

Visser les écrous des vis coniques et mettre celle-ci en place avec un léger coup de marteau.

Bloquer les 4 vis et visser les écrous.

## 8. Entretien et inspection

### Attention

**Faire tous les travaux de maintenance, réglage ou nettoyage après avoir débranché la machine du réseau!**

**Appuyer sur la touche d'arrêt d'urgence !**

Nettoyer la machine régulièrement.

Remplacer immédiatement les dispositifs de protection endommagés ou usés

Tous travaux de branchement et de réparation sur l'installation électrique doivent être exécutés uniquement par un électricien qualifié.

### 8.1 Graissage annuel

- Corps de poupée fixe:

**Vidange de l'huile (2,3 Litres)**

**HLP DIN 51524/ 2 ISO VG 46**

(par ex. BP Energol HLP 46, Castrol Hyspin AWS 46, Shell Tellus 46, Mobil DTE 25)

Le niveau d'huile doit atteindre le niveau indiqué (A, Fig 22).

Le remplissage se fait par le bouchon vissé, sous le tapis en caoutchouc.

**Changer l'huile après le premier mois d'exploitation**

Dévisser le bouchon (B, Fig 23).

Retirer toutes les traces de métaux.

Remplir avec de l'huile neuve.

A partir de ce moment, changer l'huile une fois par an (le cas échéant, toutes les 700 heures de travail).

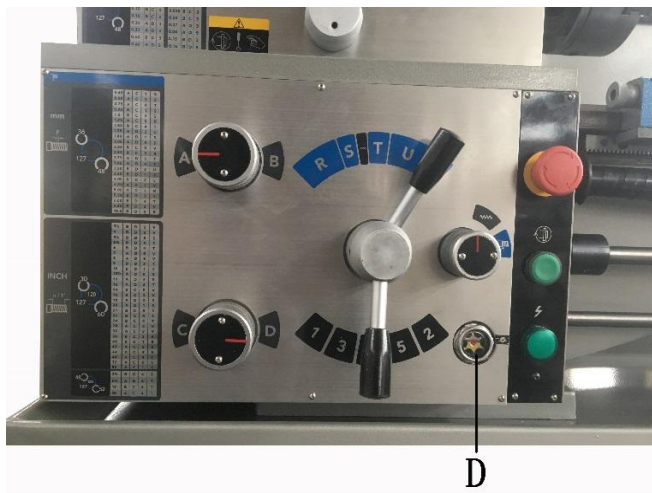


Fig 22

- Engrenage d'entraînement:

**Vidange de l'huile hydraulique (1,5 Litres)**

**HLP DIN 51524/ 2 ISO VG 68**

(par ex. BP Energol HLP68, Castrol Hyspin AWS 68, Shell Tellus 68, Mobil DTE Oil Heavy Medium)

L'huile doit atteindre le niveau indiqué (D, Fig 22).

Le remplissage se fait par le bouchon vissé (E, Fig 23).

**Changer l'huile après le premier mois d'exploitation**

Dévisser le bouchon (F, Fig 23).

Remplir avec de l'huile neuve.

A partir de ce moment, changer l'huile une fois par an (le cas échéant, toutes les 700 heures de travail).

- Tablier du chariot:

**Vidange de l'huile hydraulique (0,2 Litre)**

**HLP DIN 51524/ 2 ISO VG 68**

(par ex. BP Energol HLP68, Castrol Hyspin AWS 68, Shell Tellus 68, Mobil DTE Oil Heavy Medium)

Le niveau d'huile doit atteindre le niveau indiqué (A, Fig 24)

Le remplissage se fait par le bouchon vissé (B).

**Changer l'huile après le premier mois d'exploitation**

Dévisser le bouchon qui se trouve dessous. Remplir avec de l'huile neuve.

A partir de ce moment, changer l'huile une fois par an (le cas échéant, toutes les 700 heures de travail).

### 8.2 Graissage hebdomadaire:

Contrôler une fois par semaine tous les niveaux d'huile, et au besoin en remettre (voir 8.1).

**Graissage hebdomadaire:**

**DIN 51807/ 1 Graisse adhésive**

par ex. BP L2, MobilgreaseSpecial).

- Crémaillère

Graisser les dents partout.

- Roues de rechange

Graisser légèrement les dents.

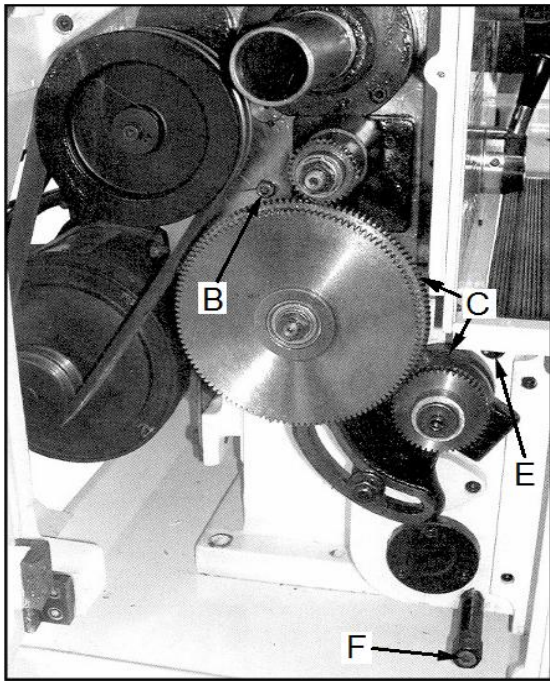


Fig 23

**Huilage hebdomadaire:**

**DIN 51502 CG ISO VG 68**

(par ex. BP Maccurat 68, Castrol Magna BD 68, Mobil Vectra 2)

**- Vis-mère et broche de chariotage**

Les huiler sur toute la longueur.

**8.3 Graissage quotidien:**

**Huiler chaque jour:**

**DIN 51502 CG ISO VG 68**

(par ex. BP Maccurat 68, Castrol Magna BD 68, Mobil Vectra 2)

**- Levier d'avancement**

Huiler le graisseur (C, Fig 24)

**- Chariot de table**

Huiler les 2 graisseurs (D, Fig 24)

**- Chariot supérieur**

Huiler les 3 graisseurs(F, Fig 25)

**- Chariot transversal**

Huiler les 4 graisseurs (G, Fig 25)

**Volant du chariot de table**

Huiler le graisseur (H, Fig 25)

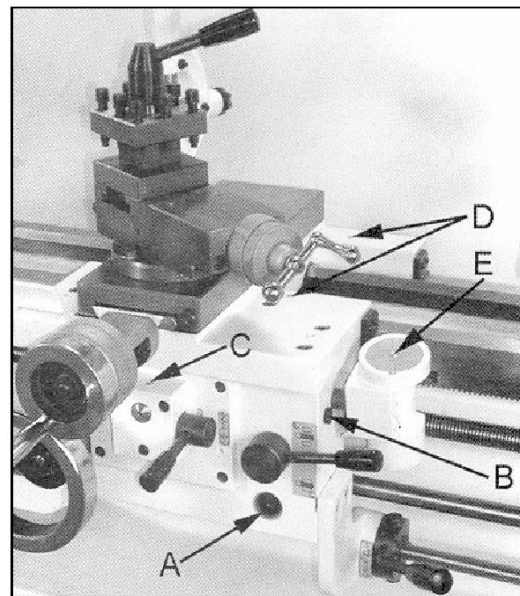


Fig 24

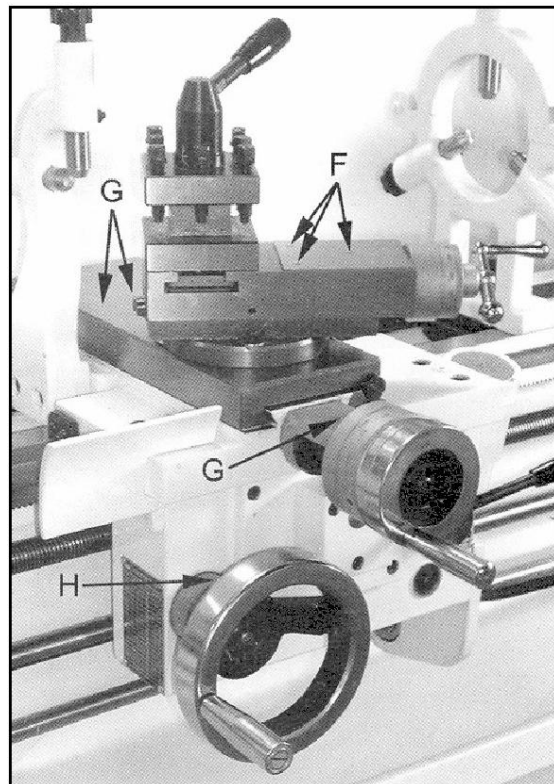


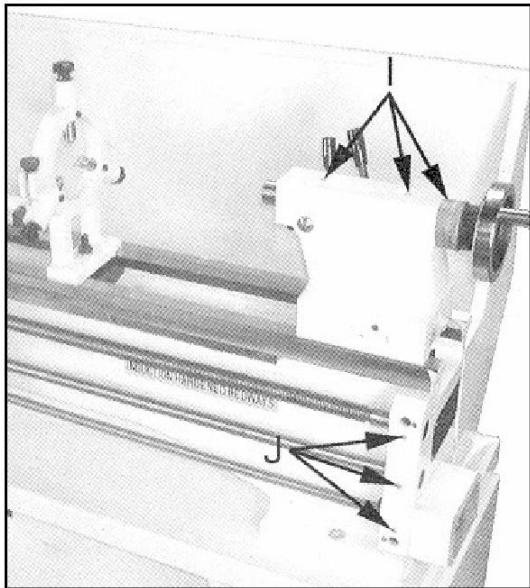
Fig 25

**- Contre-pointe**

Huiler les 3 graisseurs (I, Fig 26)

**- Collet de vis-mère et broche de chariotage**

Huiler les 3 graisseurs (J, Fig 26)

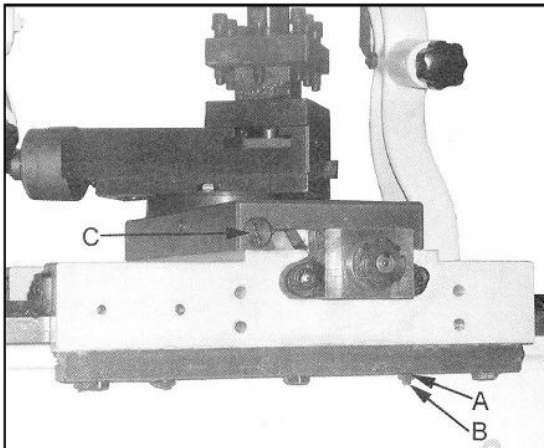


**Fig 26**

#### 8.4 Ajustage des coulisses des chariots

Toutes les chariots sont munies de lardons réglables.

Dévisser d'un tour la vis de blocage à l'arrière (C, Fig 27).



**Fig 27**

Réajuster la vis de blocage avant d' ¼ de tour.

Contrôler le jeu de la coulisse et au besoin répéter l'opération.

Serrer modérément la vis de blocage à l'arrière.

#### 8.5 Ajustage du chariot de table

Dévisser les 4 écrous (A, Fig 27).

Resserrer régulièrement les 4 tiges filetées (B).

Contrôler le jeu du chariot et au besoin répéter l'opération.

Bloquer les tiges filetées et serrer les écrous.

#### 8.6 Changement des goupilles de cisaillement

La vis-mère et la broche de chariotage sont munis de goupilles de cisaillement pour protéger l'entraînement en cas de surcharge.

Si une goupille se casse, il faut la remplacer par une neuve.

Faire coïncider les trous.

Retirer la vieille goupille par enfoncement.

Placer une nouvelle goupille

#### 8.7 Positionnement du corps de poupée fixe

Le corps de poupée fixe est réglé avec précision au départ usine.

Avant d'intervenir, contrôler que la machine est parfaitement à plat.

#### Au cas où le positionnement est nécessaire:

Desserrer légèrement les 4 vis de fixation du bâti, il doit rester une certaine retenue.

Positionner le corps de contre poupée avec précision au moyen de la vis de réglage latérale.

Bloquer les vis de fixation du bâti.

### 9. Détecteur de pannes

#### Moteur ne se met pas en route

\*Protège mandrin ouvert-

Fermer le protège mandrin

\*Cache courroie ouvert-

Fermer le cache-courroie

\*Pas de courant-

Vérifier le fusible.

\*Défaut au moteur, bouton ou câble-

Contacteur un électricien qualifié.

#### Vibrations de la machine

\*Pièce d'œuvre non-équilibrée -

Equilibrer la pièce et réduire la vitesse.

\*Pièce instable-

Améliorer la longueur libre entre les mâchoires ou le diamètre, soutenir l'extrémité de la contre-pointe.

\*Outils instable-

Réduire la longueur de l'outil

\*Les chariots ont du jeu-

Régler les glissières.

\*Les glissières des chariots sont trop sèches-

Huiler les glissières des chariots.

\*Outils émoussés-

Aiguiser les outils ou les changer

\*Pression de coupe trop forte-

Réduire la profondeur de passe ou l'avancement.



### **Outils surchauffés**

\*Vitesse de coupe trop haute-

Réduire la vitesse.

\*Outil émoussé-

Aiguiser l'outil.

### **Machine tourne coniquement**

\*Contre-pointe déplacée latéralement-

Aligner la contre-pointe.

\*Le banc de tour est voilé-

Mettre les points d'appui à niveau.

### **Pas d'avance automatique**

\*Goupille de cisaillement cassée-

Changer la goupille de cisaillement.

## **10. Protection de l'environnement**

### **Protégez l'environnement !**

Votre appareil comprend plusieurs matières premières différentes et recyclables. Pour éliminer l'appareil usagé, veuillez l'apporter dans un centre spécialisé de recyclage des appareils électriques.



Ce symbole indique une collecte séparée des équipements électriques et électroniques conformément à la directive DEEE (2012/19/UE). Cette directive n'est efficace que dans l'Union européenne.

## **11. Accessoires**

**Numéro d'article: 465303**

Contre-pointe tournante CM-3

**Numéro d'article: 50000191**

Mandrin (Camlock D1-4) pour pinces5C avec levier de serrage.

**Numéro d'article: 50000190**

Jeu de 17 pinces de serrage 5C

de 3-25mm

**Numéro d'article: 321431**

Porte-outil simple

**Numéro d'article: 321442**

Dispositif pour tournage de quilles

**Numéro d'article: 350055**

Dispositif de refroidissement (230V)

Voir liste de prix PROMAC.