

PROMAC®

05-2016

Drill Press Säulenbohrmaschinen Perceuses à colonne

378VB



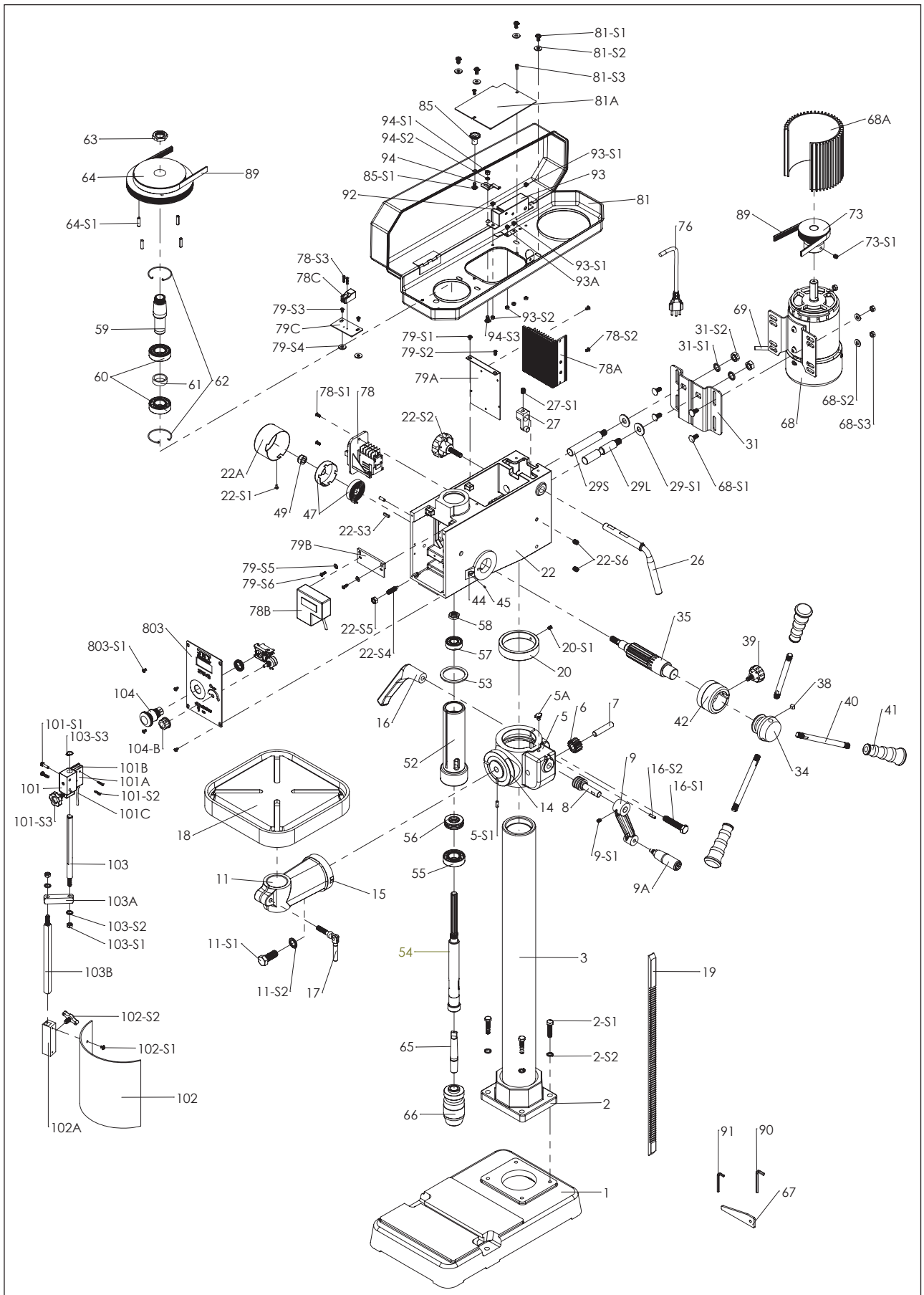
CE

Schweiz / Suisse
JPW (TOOL) AG
Tämperlistrasse 5
CH-8117 Fällanden Switzerland
www.promac.ch

France
TOOL France / PROMAC
57, rue du Bois Chaland, Z.I. du Bois Chaland
case postale 2935 FR-91029 Evry Cedex
www.promac.fr

Ersatzteilzeichnung Vue éclatée

378VB



1	PM-378001	Base / Fussplatte / Pied
2		Column Holder / Säule / Colonne Incl. Pos. 02
2-S1	PM-378004	Hex Bolt / Schraube / Vis
2-S2	PM-374202	Spring Washer / Federring / Rondelle
2+3	PM-378003	Column / Säule / Colonne
5	PM-378005	Table Bracket / Säulenflansch / Support
5A	PM-378005A	Oil Cup / Säulenflansch / Flasque De Colonne
5-S1	PM-378005S1	Pin / Stift / Goupille
6	PM-374006	Gear / Zahnrad / Engrenage
7	PM-374007	Shaft / Bolzen / Axe
8	PM-374008	Worm / Schneckenwelle / Axe Avec Vis Sans Fin
9	PM-378009	Table Handle / Kurbel / Levier
9A	PM-378009A	Handle Bolt / Griff / Poignee
9-S1	PM-374010	Set Screw / Inbusschraube / Vis
11	PM-374011	Table Arm Bracket / Tischarm / Bras De Table
11-S1	PM-374012	Hex Bolt / Schraube / Vis
11-S2	PM-374203	Spring Washer / Federring / Rondelle
14	PM-374015	Angle Scale / Schwerspannstift / Goupille
15	PM-374014	Scale / Skala / Reglette
16	PM-378316	Clamp Handle / Klemmhebel / Levier De Blocage
16-S1	PM-378016	Hex Bolt / Schraube / Vis
16-S2	PM-378216	Pin / Stift / Goupille
17	PM-33068	Table Bolt / Festklemmschraube / Levier De Blocage
18	PM-378018	Table / Tisch / Table
19	PM-374019	Rack / Zahnstange / Cremaillere
20	PM-419040	Rack Ring / Haltering / Rondelle
20-S1	PM-374021	Set Screw / Inbusschraube / Vis
22	PM-374022	Head Body / Kopfgehäuse / Tete
22A	PM-378249	Feed Shift Cover / Deckel / Couvercle
22-S1	PM-37822S1	Screw Schraube / Vis
22-S2	PM-374030	Lock Knob / Feststellschraube / Molette
22-S3	PM-374048	Pin / Stift / Goupille
22-S4	PM-374050	Set Screw / Inbusschraube / Vis
22-S5	PM-374051	Hex Nut / Mutter / Ecrou
22-S6	PM-374023	Set Screw / Inbusschraube / Vis
26	PM-374026	Shifter Bar / Verstellhebel / Levier
27	PM-374027	Shifter / Exenter / Excentrique
27-S1	PM-374028	Set Screw / Inbuschraube / Vis
29L	PM-374206	Slide Bar (L) / Welle / Axe
29S	PM-374207	Slide Bar (S) / Welle / Axe
29-S1	PM-378029S1	Washer / Federscheibe / Rondelle
31	PM-374031	Motor Base / Motorplatte / Plaque Moteur
31-S1	PM-374032	Spring Washer / Federring / Rondelle
31-S2	PM-374033	Hex Nut / Mutter / Ecrou
34+35	PM-378534	Handle Body / Griffansch komplett / Moyeu Complete
38	PM-374038	Key / Führung / Guide
39	PM-374039	Lock Knob / Feststellschraube / Vis De Fixation
40	PM-33117	Feed Handle / Griffstange / Levier
41	PM-378041	Grip / Griffknopf / Poignee
42	PM-363042	Scale Ring / Verstellring / Vernier
44	PM-374044	Scale / Anzeiger / Index
45	PM-374045	Rivet / Niete / Rivet
47	PM-33014	Spring Cap / Rückzugfeder / Ressort Complet
49	PM-374049	Lock Nut / Mutter / Ecrou

52-58	PM 378552	Quill Assembly / Spindel Komplett / Broche Complete
59	PM-374059	Spindle Sleeve / Poulywelle / Arbre Poulie
60	PM-375060	Ball Bearing / Lager / Roulement
61	PM-374061	Spacer / Büchse / Palier
62	PM-374062	Snap Ring / Seegerring / Circlip
63	PM-364063	Pulley Nut / Poulymutter / Ecrou
64	PM-378564B	Spindle Pulley / Spindelpouly / Poulie Broche
64-S1	PM-37864S1	Pin / Stift / Goupille
65	PM-378065-1	Taper Arbor / Kegeldorn / Adaptateur
66	PM-378066-1	Drill Chuck / Schnellspannbohrfutter / Manrion Autoserrante
68	PM-378568A	Motor / Motor / Moteur
68A	PM-378568B	Motor Cooler Plate / Kühlflansch / Flasque Moteur
68-S1	PM-378068-S1	Carriage Bolt / Schraube / Vis
68-S2	PM-378068-S2	Washer / Scheibe / Rondelle
68-S3	PM-378068-S3	Hex Nut / Mutter / Ecrou
73	PM-378B73	Motor Pulley / Motorpouly / Poulie Moteur
73-S1	PM-378073-S1	Set Screw / Schraube / Vis
76	200034	Power Cord / Netzkabel / Cable
78	PM-378578	Switch / Schalter / Interrupteur
78A	PM-378578-1	Speed Controller / Printplatte / Variateur
78B	PM-378B78B	Rpm Display Unit / Anzeige / Affichage
78C	PM-378B78C	Speed Sensor / Sensor / Inerrupteur
78-S1	PM-320004	Screw / Schraube / Vis
78-S2	PM-378078-S2	Screw / Schraube / Vis
78-S3	PM-378078-S4	Screw / Schraube / Vis
79A	PM-378578-2	Switch Board / Halter / Support
79B	PM-378B79B	Switch Board / Halter / Support
79C	PM-378B79C	Switch Board / Halter / Support
79-S1	PM-378079-S1	Screw / Schraube / Vis
79-S2	PM-378079-S2	Screw / Schraube / Vis
79-S3	PM-378B79-S3	Screw / Schraube / Vis
79-S4	PM-378B79-S4	Washer / Scheibe / Rondelle
79-S5	PM-378079-S3	Washer / Scheibe / Rondelle
79-S6	PM-378079-S4	Screw / Schraube / Vis
81	PM-378681	Pulley Cover / Riemendeckel / Capot Courroie
81A	PM-378581-1	Pulley Board Cover / Deckel / Couvercle
81-S1	PM-378081-S1	Screw / Schraube / Vis
81-S2	PM-378081-S2	Washer / Scheibe / Rondelle
81-S3	PM-378081-S3	Screw / Schraube / Vis
85	PM-374084	Pulley Cover Knob / Schraube / Vis
85-S1	PM-378085-S1	Screw / Schraube / Vis
89	PM-378689	V-belt / Keilriemen / Courroie
90	PM-378090	Hex Wrench / Kurbel / Levier
91	PM-378091	Hex Wrench / Kurbel / Levier
92	PM-378092	Micro Switch / Mikroschalter / Inter Micro
93	PM-378093	Micro Switch Box / Abdeckung / Couvercle
93A	PM-378093A	Spring Sheet / Feder / Ressort
93-S1	PM-378093-S1	Screw / Schraube / Vis
93-S2	PM-378093-S2	Hex Nut / Mutter / Ecrou
94	PM-378094	Clutch / Drücker / Poussoire
94-S1	PM-378094-S1	Hex Nut / Mutter / Ecrou
94-S2	PM-378094-S2	Spring Washer Federscheibe / Rondelle
94-S3	PM-378094-S3	Screw / Schraube / Vis
101	PM-378101A	Micro Switch Bracket Assembly / Späneschutz Komplett / Protection Complete

102	PM-930100	Safety Guard / Schutz / Protection Pvc
103	PM-378103	Bracket Rod / Stellschraube / Vis
104	PM-378104	Emergency Stop Swtch / Not-ausschalter / Inter Poing
104-B	PM-378604B	Speed-adjusting Knob / Drehzahlschalter / Potentiometre
803	PM-378B803	Switch Cover / Frontplatte / Plate
803-S1	PM-320004	Screw / Schraube / Vis
	PM-378568	Motor Assembly (Include #68, 68A, 69, 73, 89)