

SX-815DV
SX-815DVP

METAL BAND SAW
METALLBANDSÄGE
SCIE À RUBAN PORTABLE



www.promac.fr



GB - ENGLISH**Operating Instructions**

Dear Customer,

Many thanks for the confidence you have shown in us with the purchase of your new machine. This manual has been prepared for the owner and operators of a SX-815DV / SX-815DVP metal band saw to promote safety during installation, operation and maintenance procedures. Please read and understand the information contained in these operating instructions and the accompanying documents. To obtain maximum life and efficiency from your machine, and to use the machine safely, read this manual thoroughly and follow instructions carefully.

...Table of Contents

1. Declaration of conformity
2. Warranty
3. Safety
4. Machine specifications
5. Description of the machine
6. Setting up the machine
7. Commissioning
8. Choosing the saw blade
9. Maintenance
10. Environmental protection
11. Available accessories

1. Declaration of conformity

On our own responsibility we hereby declare that this product complies with the regulations* listed on page 2. Designed in consideration with the standards**.

2. Warranty

TOOL FRANCE guarantees that the supplied product is free from material defects and manufacturing faults.

This warranty does not cover any defects which are caused, either directly or indirectly, by incorrect use, carelessness, accidental damage, repair, inadequate maintenance or cleaning and normal wear and tear.

Any warranty details (i.e. warranty period) can be found in the General Terms and Conditions (GTC) that are integral part of the contract.

These GTC can be viewed at the website of your dealer or sent to you upon request.

TOOL FRANCE reserves the right to make changes to the product and accessories at any time.

3. Safety**3.1 Authorized use**

This machine is designed for sawing machinable metal and plastic materials only.

Machining of other materials is not permitted and may be carried out in specific cases only after consulting with the manufacturer.

Never cut magnesium -
high danger to fire!

The workpiece must allow to safely be loaded and clamped for machining.

The proper use also includes compliance with the operating and maintenance instructions given in this manual.

The machine must be operated only by persons familiar with its operation and maintenance and who are familiar with its hazards.

The required minimum age must be observed

The machine must only be used in a technically perfect condition.

When working on the machine, all safety mechanisms and covers must be mounted.

In addition to the safety requirements contained in these operating instructions and your country's applicable regulations, you should observe the generally recognized technical rules concerning the operation of metalworking machines.

Any other use exceeds authorization.

In the event of unauthorized use of the machine, the manufacturer renounces all liability and the responsibility is transferred exclusively to the operator.

3.2 General safety notes

Metalworking machines can be dangerous if not used properly. Therefore the appropriate general technical rules as well as the following notes must be observed.

Read and understand the entire instruction manual before attempting assembly or operation.

Keep this operating instruction close by the machine, protected from dirt and humidity, and pass it over to the new owner if you part with the tool.

No changes to the machine may be made.

Daily inspect the function and existence of the safety appliances before you start the machine.

Do not attempt operation in this case, protect the machine by unplugging the mains cord.

Remove all loose clothing and confine long hair.

Before operating the machine, remove tie, rings, watches, other jewellery, and roll up sleeves above the elbows.

Wear safety shoes; never wear leisure shoes or sandals. Always wear the approved working outfit

Do **not** wear gloves while operating this machine.

For the safe handling of saw blades wear work gloves.

Wear goggles when working

Install the machine so that there is sufficient space for safe operation and workpiece handling.

Keep work area well lighted.

The machine is designed to operate in closed rooms and must be placed stable on firm and levelled ground.

Make sure that the power cord does not impede work and cause people to trip.

Keep the floor around the machine clean and free of scrap material, oil and grease.

Never reach into the machine while it is operating or running down.

Stay alert!

Give your work undivided attention. Use common sense.

Keep an ergonomic body position.

Maintain a balanced stance at all times.

Do not operate the machine when you are tired.

Do not operate the machine under the influence of drugs, alcohol or any medication. Be aware that medication can change your behaviour.

Keep children and visitors a safe distance from the work area.

Never leave a running machine unattended.

Before you leave the workplace switch off the machine.

Do not operate the electric tool near inflammable liquids or gases.

Observe the fire fighting and fire alert options, for example the fire extinguisher operation and place.

Do not use the machine in a damp environment and do not expose it to rain.

Insure that the workpiece does not roll when cutting round pieces.

Use suitable table extensions and supporting aids for difficult to handle workpieces.

Always adjust the blade guide close to the workpiece.

Remove cut and jammed workpieces only when motor is turned off and the machine is at a complete standstill.

Work only with well sharpened tools.

Bearbeiten Sie nur ein Werkstück, das sicher auf dem Tisch aufliegt.

Specifications regarding the maximum or minimum size of the workpiece must be observed.

Do not stand on the machine.

Never operate with the guards not in place – serious risk of injury!

Connection and repair work on the electrical installation may be carried out by a qualified electrician only.

Have a damaged or worn cord replaced immediately.

Make all machine adjustments or maintenance with the machine unplugged from the power source.

Remove defective saw blades immediately.

3.3 Remaining hazards

When using the machine according to regulations some remaining hazards may still exist

The moving saw blade in the work area can cause injury. Broken saw blades can cause injuries.

Thrown cutting chips and noise can be health hazards. Be sure to wear personal protection gear such as safety goggles and ear protection.

The use of incorrect mains supply or a damaged power cord can lead to injuries caused by electricity.

4. Machine specifications

4.1 Technical data

SX-815DV:

Wheel diameter	244 mm
Cutting width 90°	Ø 150mm W170x150mm
Cutting width 45°	Ø 105mm W105x 130 mm
Cutting width 60°	Ø 65mm W65 x 80mm
Saw arm adjustment	0° - 60°
Saw blade length	1735 mm
Blade width	12.7 mm
Blade thickness	0.64 mm
Cutting speeds	20~65 m/min
Vise above floor	880mm
Overall LxWxH	1100x390x1650mm
Weight	74 kg
Mains	230V ~1/N/PE 50Hz
Output power	1.1 kW S1
Reference current	3 A
Extension cord (H07RN-F):	3x1,5mm ²
Installation fuse protection	10 A

SX-815DVP:

Wheel diameter	244 mm
Cutting width 90°	Ø150mm W150x150mm
Cutting width 45°	Ø100mm W130 x 100 mm
Cutting width 60°	Ø60mm W60 x 60mm
Saw arm adjustment	0° - 60°
Sawblade length	1735 mm
Blade width	12.7 mm
Blade thickness	0.9 mm
Cutting speeds	20~66 m/min
Vise above floor	880mm
Overall LxWxH	970x560x1590mm
Weight	100 kg
Mains	230V ~1/N/PE 50Hz
Output power	1.1 kW S1
Reference current	3 A
Extension cord (H07RN-F):	3x1,5mm ²
Installation fuse protection	10 A
Coolant capacity	8 Liter
Coolant pump	0,07 PS

4.2 Noise emission

Acoustic pressure level (EN 11202):

Idling	70,0 dB(A)
Operating	87,8 dB(A)

The specified values are emission levels and are not necessarily to be seen as safe operating levels.

As workplace conditions vary, this information is intended to allow the user to make a better estimation of the hazards and risks involved only.

4.3 Contents of delivery

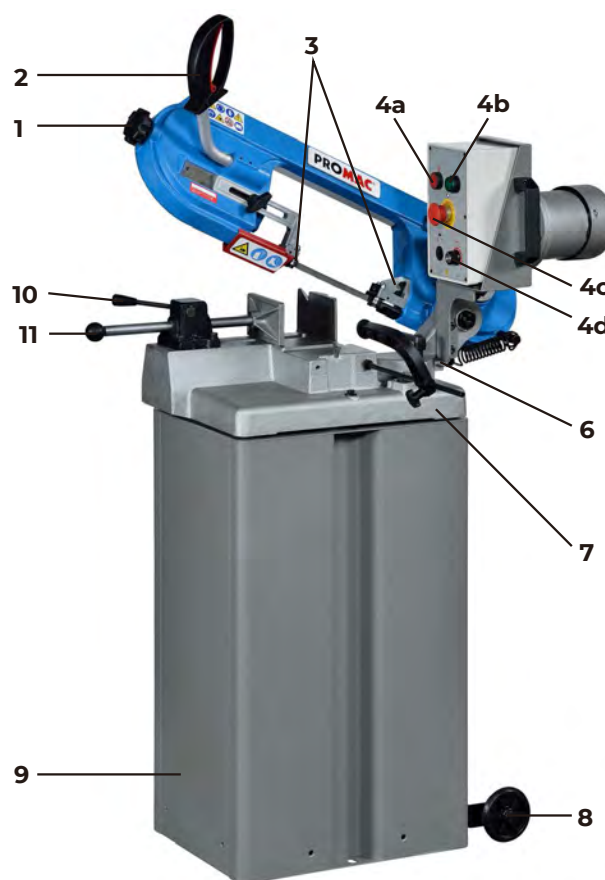
Machine stand with wheels
Bimetal sawblade
Adjustable stock stop
Machine stand
Coolant facility (SX-815DVP)
Assembly kit
Operating manual
Spare parts list

5 Description of the machine

Provided it is used and maintained properly, this machine will work safely and with maximum precision for many years to come.

The machine should only put into use once the instruction manual has been read thoroughly and all the moves that are used in its operation are fully understood and have been mastered.

The machine should be run through its individual functions without actually putting the machine itself into operation.

Main control elements**Fig 1**

- | | |
|------------------------|-------------------------|
| 1) Band clamp | 6) Bearing block |
| 2) Handle and pusher | 7) Machine bed |
| 3) Saw band guide | 8) Transportation wheel |
| 4a) Stop button | 9) Machine stand |
| 4b) Start button | 10) Locking lever |
| 4c) Emergency/off knob | 11) Quick change vice |
| 4d) Speed regulator | |

Assembling the machine

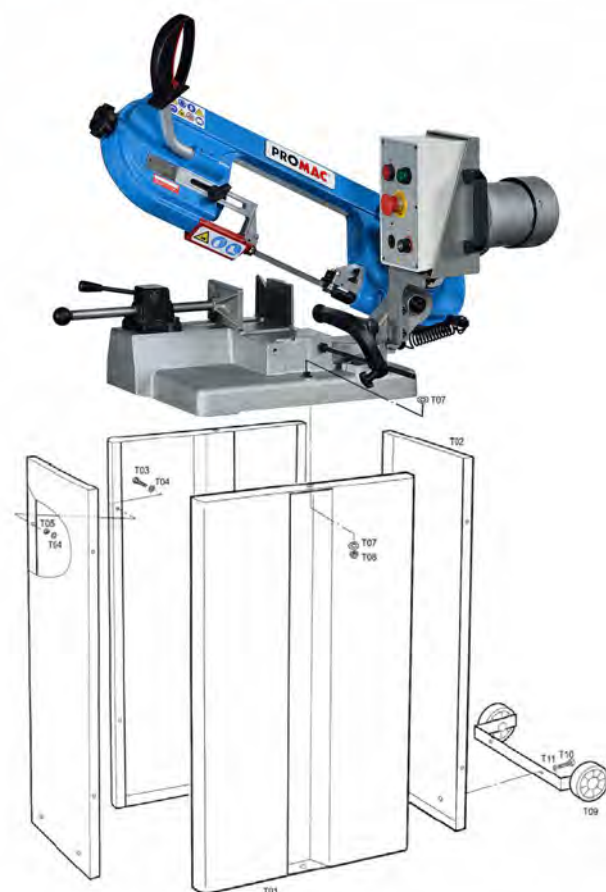


Fig 2

1. Screw the 4 side panels together.
2. Screw the machine to the stand.
3. Attach the transportation wheels to the stand.
4. The machine is now assembled.

Cleaning and lubricating the new machine

The smooth surfaces of the machine are covered in a viscous grease to prevent corrosion during transportation. All traces of this grease must be removed before the machine is put into operation. This is best done using either petroleum or white spirits.

Note: Do not use paint thinners or similar, as this would damage the machine's paintwork.

Make sure that no solvents or grease come into contact with the rubber or plastic parts.

After cleaning, coat all the smooth parts with a film of medium-viscose oil, article no. 100385.

PREPARING FOR USE

Check all the individual parts of the machine before putting it into operation to ensure that they are in perfect condition and fully functioning. Once all the appropriate safety measures are in place and provided the machine is used appropriately, its precision can be guaranteed for a long time to come.

6. Setting up the machine

Maintenance and transportation

1. The machine is not positioned levelly on your site. Before transporting/moving the machine, ensure that the chosen lifting/carrying points will allow stable transportation.
2. If the machine is to be transported/moved using a forklift or stacker, this must be done slowly and with the greatest care. Risk of tipping!

Information on using the machine

- Only one person is required to operate the machine.
- In order to ensure that the machine is safe to operate, it should be run through its individual functions without being put into operation.
- Before starting to saw, make sure that the workpiece is secured firmly in the vice and that its end section is supported appropriately.
- Only use saw blades of a size that correspond to those in the following table.
- Contact the dealer before undertaking any maintenance work on this machine.

MINIMUM REQUIREMENTS FOR THE MACHINE ENVIRONMENT

- Mains voltage and frequency must be appropriate to the motor.
- The ambient temperature should be between -10° and $+50^{\circ}$.
- The relative humidity must never exceed 90° .

USING THE BAND SAW

This machine can be used to cut building materials of various shapes and profiles from metal that are then used in workshops and turning shops, and mechanical construction in general. We strongly advise against using it for any other purposes.

The saw band teeth must be appropriate to the thickness of the item being processed (see chapter Choosing the saw band).

The lighting must be 300 LUX to ensure safe working.

ADJUSTING THE SAW BAND GUIDE BEARINGS

The back of the saw band must lie on the top guide bearing, while the saw band is fed between the two guide bearings. To adjust the left-hand guide, release the rear screw of the eccentric. Now use the eccentric to adjust the guide bearing on the saw band. Tighten the screw again. The guide bearings on the right are adjusted in the same way, the only exception being that the adjustable guide element is at the front in this case. Note that the play between the saw band and the guide elements must not exceed 0.05 mm.

MACHINE VICE

Position the workpiece in the vice with the end being processed protruding over the saw band. The movable vice jaw is adjusted by the lever. To insert the workpiece, move the vice and clamp lever to a distance of 2 mm from the workpiece. Turn the quick change lever to clamp the workpiece in the vice. Move the adjustable left-hand band guide head as close as possible to the workpiece.

Turn the band clamp handwheel to the end position.

7. Commissioning

NOTE

In the event of faulty operation or danger, the machine can be stopped immediately by pressing the red knob.

1. Check the saw band tension.
2. Turn the quick change lever to clamp the workpiece in the vice.
3. Move the adjustable band guide head as close as possible to the workpiece.
4. Switch the machine on by first pressing the "ON" button and then pressing the push switch on the handle.
5. The lifetime of the saw band can be extended significantly by lubricating it with stick wax item no. 100103.
6. After finishing the cut, the machine is stopped by releasing the press switch on the handle.

SWITCHING THE -815DV ON/OFF

To switch the machine on, raise the saw arm. First press the "ON" button, and then press the press switch on the handle. The machine switches off when you either release the press switch on the handle or push the stop button. The rotations are adjusted continuously by turning the speed selector switch.

ADJUSTING THE COURSE OF THE SAW BAND

The course of the saw band is correct if the back of the saw band touches the sides of the two flywheels. If this is not the case, then release/tighten the flywheel screw until the saw band runs centrally.

ADJUSTING THE SAW BAND GUIDE BEARINGS

The band guides must be set as close as possible to the vice jaws. The right-hand band guide head is fixed in position, while the left-hand one follows the movements of the vice jaw. In order to adjust the position of the left-hand band guide head, release the tensioning handle. Tighten the tensioning handle again after making the adjustment.

REPLACING THE SAW BAND

The machine is supplied with a saw band. Please observe the following table for saw bands with the optimum toothing. You require saw bands of the following measurements: 1735 x 13 x 0.64mm.

1. Disconnect the machine by pulling the socket out of the mains network.
2. Raise the saw arm all the way up.
3. Open the cover of the wheels and remove the sawdust.
4. Release the band clamp handwheel (turn to the left).
5. Push the left-hand saw arm guide as far to the right as possible.
6. Remove the band from the two flywheels and the band guides.
7. When inserting the new saw band, make sure that it is inserted in the cutting direction of the teeth (toothing in the direction of the arrow on the saw arm.)
8. Place the new saw blade on the band wheels.
9. Slide the saw band all the way along the guide bearings to the top. The back of the band must touch the rear guide bearing.
10. Tighten the band slightly and move it along the band wheels.
11. Check that the band is correctly positioned in the guides and the back correctly positioned on the wheel stops, and tighten the saw band.
12. Switch the machine on for a short test run. If the saw band does not run centrally, read the chapter "Adjusting the course of the saw band".

Rounding of teeth

A carefully broken in blade lasts much longer and gives better performance.

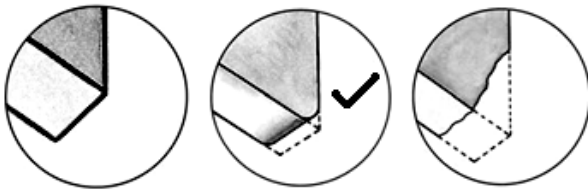


Fig 4

To break in your new blade, run it at only 30% of normal pressure for ten minutes.

Then gradually increase to normal pressure.

Feed pressure selection:

A good indication of proper feed pressure is the shape of the cutting chips.

Perfect:

Loose curled chips



If the chips are thin or powdered increase the feed pressure.

If the chips are burned reduce the cutting speed and decrease the feed pressure.

8. Choosing the saw band

- 1) Choose a tothing that is appropriate to the workpiece being processed. Ideally, at least 3 teeth should be in action at the same time.
- 2) The tothing should not be smaller than necessary, as the cutting speed is reduced if there are too many small teeth working on the workpiece simultaneously, which causes the saw band to wear more quickly, and makes the cuts crooked and distorts them.
- 3) The following table shows the approximate tothing of the saw bands for a specific material thickness. For further information please contact your saw band dealer.

Table for saw band selection

Material thickness	o. of teeth / inches	Art. No.
< 3 mm	18	2157
2 – 5 mm	10 / 14	2156
4 – 8 mm	8 / 12	2155
> 6 mm	6 / 10	2154

S mm	T / "
< 3	18
2 - 5	10/14
4 - 8	8/12
6 - 12	6/10
8 - 15	5/8

Fig 5

D mm	T / "
< 30	10/14
20 - 50	8/12
25 - 60	6/10
35 - 80	5/8
50 - 100	4/6
80 - 150	3/4
>120	2/3

Fig 6

Comments

- 1) 10/14 tothing provides good cutting results for thin-walled pipes and profiles.
- 2) The choice of tothing (i.e. the number of teeth per inch) should be such that at least 3 teeth are always in action at the same time.

When cutting thick material, a coarse Tooth Pitch "T" is needed to accommodate the big chips (Fig 7)

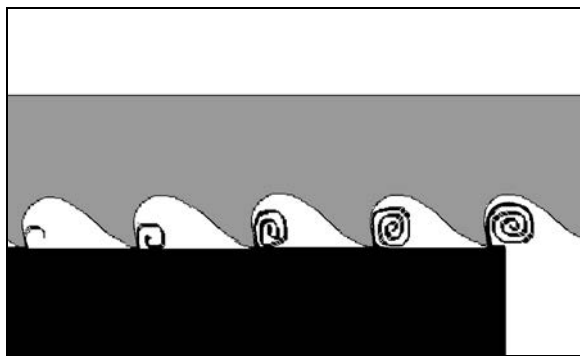


Fig 7

Cutting speed selection

The general rule is the harder the material being cut, the slower the blade speed.

20 m/min

for stainless steel, alloy steel and bearing bronzes.

30-50 m/min

for mild steel, hard brass or bronze.

65 m/min

for soft brass, aluminium or other light materials.

Saw band lubricant

The lifetime of the saw band can be extended significantly by lubricating it with stick wax Art. 100103.

NOTE

Some materials, such as stainless steel or aluminium, require specific oils.

9. Maintenance

The following are the main maintenance tasks that need to be carried out daily, weekly, monthly or semi-annually. Failure to carry out these tasks will lead to premature wear and reduce the machine's performance.

Daily maintenance

- Remove sawdust.
- Check the saw blade for wear.
- Raise the saw arm all the way up and release the saw blade in order to prevent unnecessary strain.
- Check the protective covers and emergency/off devices to make sure they are in perfect working order.

Weekly maintenance

- Clean the machine thoroughly to remove all sawdust.
- Clean and lubricate the tensioning screw, vice grooves and guides.
- Clean the saw band bearings.
- Sharpen the teeth.

Monthly maintenance

- Tighten all the screws.
- Check the protective covers and devices for integrity.

Semi-annual maintenance

- Drain the gearbox. It should be drained for the first time after 50 operating hours. Use lubricant Art. 100381 (SAE 90) or similar.

Extraordinary maintenance

Any extraordinary maintenance is to be carried out by qualified personnel. It is best to contact your machine dealer.

Extraordinary maintenance tasks include replacing the protective covers and checking the safety devices.

DECOMMISSIONING

If the machine is not going to be used for a long time, then we advise the following:

- Disconnect the mains socket.
- Clean the machine thoroughly and protect appropriately (grease).
- If necessary, cover the machine with a tarpaulin.

10. Environmental protection

Protect the environment.

Your appliance contains valuable materials which can be recovered or recycled. Please leave it at a specialized institution.

11. Available accessories

Refer to the pricelist for various saw blades.

Extraordinary maintenance

Any extraordinary maintenance is to be carried out by qualified personnel. It is best to contact your machine dealer.

Extraordinary maintenance tasks include replacing the protective covers and checking the safety devices.

DECOMMISSIONING

If the machine is not going to be used for a long time, then we advise the following:

DE - DEUTSCH**Gebrauchsanleitung**

Sehr geehrter Kunde,

vielen Dank für das Vertrauen, welches Sie uns beim Kauf Ihrer neuen Maschine entgegengebracht haben. Diese Anleitung ist für den Inhaber und die Bediener zum Zweck einer sicheren Inbetriebnahme, Bedienung und Wartung der Metallbandsäge SX-815DV / SX-815DVP erstellt worden. Beachten Sie bitte die Informationen dieser Gebrauchsanleitung und der beiliegenden Dokumente. Lesen Sie diese Anleitung vollständig, insbesondere die Sicherheitshinweise, bevor Sie die Maschine zusammenbauen, in Betrieb nehmen oder warten. Um eine maximale Lebensdauer und Leistungsfähigkeit Ihrer Maschine zu erreichen befolgen Sie bitte sorgfältig die Anweisungen.

Inhaltsverzeichnis

1. Konformitätserklärung
2. Garantieleistungen
3. Sicherheit
4. Maschinenspezifikation
5. Maschinenbeschreibung
6. Aufstellung der Maschine
7. Inbetriebnahme
8. Wahl des Sägebandes
9. Wartungsarbeiten
10. Umweltschutz
11. Lieferbares Zubehör

1. Konformitätserklärung

Wir erklären in alleiniger Verantwortlichkeit, dass dieses Produkt mit den auf Seite 2 angegebenen Richtlinien* übereinstimmt.

Bei der Konstruktion wurden folgende Normen** berücksichtigt.

2. Garantieleistungen

TOOL FRANCE garantiert, dass das von ihm gelieferte Produkt frei von Material- und Herstellungsfehlern ist.

Diese Garantie deckt keinerlei Mängel und Fehler ab, die - direkt oder indirekt - durch falsche oder nicht sachgemäße Verwendung, Fahrlässigkeit, Unfallschäden, Reparaturen oder unzureichende Wartungs- oder Reinigungsarbeiten sowie durch die natürliche Abnutzung durch Gebrauch verursacht werden.

Weitere Einzelheiten zur Garantie können den allgemeinen Geschäftsbedingungen (General Terms and Conditions (GTC)) entnommen werden.

Diese können Ihnen auf Wunsch per Post zugesendet werden.

TOOL FRANCE behält sich das Recht vor, jederzeit Änderungen am Produkt und am Zubehör vorzunehmen.

3. Sicherheit**3.1 Bestimmungsgemäße Verwendung**

Die Maschine ist vorgesehen zum Sägen von zerspanbaren Metallen und Kunststoffen.

Die Bearbeitung anderer Werkstoffe ist nicht zulässig bzw. darf in Sonderfällen nur nach Rücksprache mit dem Maschinenhersteller erfolgen.

Niemals Magnesium zerspanen -
Hohe Feuergefahr!

Es dürfen nur Werkstücke bearbeitet werden welche sicher aufgelegt und gespannt werden können.

Die bestimmungsgemäße Verwendung beinhaltet auch die Einhaltung der vom Hersteller angegebenen Betriebs- und Wartungsanweisungen.

Die Maschine darf ausschließlich von Personen bedient werden, die mit Betrieb und Wartung vertraut und über die Gefahren unterrichtet sind.

Das gesetzliche Mindestalter ist einzuhalten.

Die Maschine nur in technisch einwandfreiem Zustand mit montierten Schutzeinrichtungen betreiben.

Neben den in der Gebrauchsanleitung enthaltenen Sicherheitshinweisen und den besonderen Vorschriften Ihres Landes sind die für den Betrieb von Holz- und Metallbearbeitungsmaschinen allgemein anerkannten fachtechnischen Regeln zu beachten.

Jeder darüber hinaus gehende Gebrauch gilt als nicht bestimmungsgemäß und für daraus resultierende Schäden haftet der Hersteller nicht. Das Risiko trägt allein der Benutzer.

3.2 Allgemeine Sicherheitshinweise

Holz- und Metallbearbeitungsmaschinen können bei unsachgemäßem Gebrauch gefährlich sein. Deshalb ist zum sicheren Betreiben die Beachtung der zutreffenden Unfallverhütungs- Vorschriften und der nachfolgenden Hinweise erforderlich.

Lesen und verstehen Sie die komplette Gebrauchsanleitung bevor Sie mit Montage oder Betrieb der Maschine beginnen.

Bewahren Sie die Bedienungsanleitung, geschützt vor Schmutz und Feuchtigkeit, bei der Maschine auf, und geben Sie sie an einen neuen Eigentümer weiter.

An der Maschine dürfen keine Veränderungen, An- und Umbauten vorgenommen werden.

Überprüfen Sie täglich vor dem Einschalten der Maschine die einwandfreie Funktion und das Vorhandensein der erforderlichen Schutzeinrichtungen.

Festgestellte Mängel an der Maschine oder den Sicherheitseinrichtungen sind zu melden und von den beauftragten Personen zu beheben. Nehmen Sie die Maschine in solchen Fällen nicht in Betrieb, sichern Sie die Maschine gegen Einschalten durch Ziehen des Netzsteckers.

Zum Schutz von langem Kopfhaar Mütze oder Haarnetz aufsetzen.

Enganliegende Kleidung tragen, Schmuck, Ringe und Armbanduhren ablegen.

Tragen Sie Schutzschuhe, keinesfalls Freizeitschuhe oder Sandalen.

Verwenden Sie die durch Vorschriften geforderte persönliche Schutzausrüstung.

Beim Arbeiten an der Maschine **keine Handschuhe** tragen.

Zum Handhaben des Sägebandes geeignete Arbeitshandschuhe tragen.

Beim Arbeiten Schutzbrille tragen.

Die Maschine so aufstellen, dass genügend Platz zum Bedienen und zum Führen der Werkstücke gegeben ist.

Sorgen Sie für gute Beleuchtung.

Achten Sie darauf, dass die Maschine standsicher auf fester und ebener Tischfläche steht.

Beachten Sie dass die elektrische Zuleitung nicht den Arbeitsablauf behindert und nicht zur Stolperstelle wird.

Den Arbeitsplatz frei von behindernden Werkstücken, etc. halten.

Niemals in die laufende Maschine greifen.

Seien Sie aufmerksam und konzentriert. Gehen Sie mit Vernunft an die Arbeit.

Achten Sie auf ergonomische Körperhaltung. Sorgen Sie für sicheren Stand und halten Sie jederzeit das Gleichgewicht.

Arbeiten Sie niemals unter dem Einfluss von Rauschmitteln wie Alkohol und Drogen an der Maschine. Beachten Sie, dass auch Medikamente Einfluss auf Ihr Verhalten nehmen können.

Halten Sie Unbeteiligte, insbesondere Kinder vom Gefahrenbereich fern.

Die laufende Maschine nie unbeaufsichtigt lassen. Vor dem Verlassen des Arbeitsplatzes die Maschine ausschalten.

Benützen Sie die Maschine nicht in der Nähe von brennbaren Flüssigkeiten oder Gasen.

Beachten Sie die Brandmelde- und Brandbekämpfungsmöglichkeiten z.B. Standort und Bedienung von Feuerlöschern.

Benützen Sie die Maschine nicht in feuchter Umgebung und setzen Sie sie nicht dem Regen aus.

Beim Sägen von unhandlichen Werkstücken geeignete Hilfsmittel zum Abstützen verwenden.

Die Bandführungen möglichst nahe an das Werkstück anstellen.

Abgesägte, eingeklemmte Werkstücke nur bei ausgeschaltetem Motor und Stillstand des Sägebandes entfernen.

Nur mit gut geschärften Werkzeugen arbeiten.

Bearbeiten Sie nur ein Werkstück, das sicher auf dem Tisch aufliegt.

Angaben über die min. und max. Werkstückabmessungen müssen eingehalten werden.

Nicht auf der Maschine stehen.

Arbeiten an der elektrischen Ausrüstung der Maschine dürfen nur durch eine Elektrofachkraft vorgenommen werden.

Tauschen Sie ein beschädigtes Netzkabel sofort aus.

Umrüst-, Einstell- und Reinigungsarbeiten nur im Maschinenstillstand und bei gezogenem Netzstecker vornehmen.

3.3 Restrisiken

Auch bei vorschriftsmäßiger Benutzung der Maschine bestehen die nachfolgend aufgeführten Restrisiken:

Verletzungsgefahr durch das frei laufende Sägeband im Arbeitsbereich.

Gefährdung durch Bruch des Sägebandes.

Gefährdung durch Lärm und wegfliegende Späne.

Unbedingt persönliche Schutzausrüstung wie Augen- und Gehörschutz tragen.

Gefährdung durch Strom, bei nicht ordnungsgemäßer Verkabelung.

4. Maschinenspezifikation

4.1 Technische Daten

SX-815DV:

Rollendurchmesser	244 mm
Schnitt bei 90°	Ø 150 mm W170x150mm
Schnitt bei 45°	Ø 105mm W105 x 130mm
Schnitt bei 60°	Ø 65mm W65 x 80mm
Sägearm-Schwenkung	0° - 60°
Sägebandlänge	1735 mm
Sägebandbreite	12.7 mm
Sägebandstärke	0.64 mm
Schnittgeschwindigkeit	20~65 m/min
Schraubstock vom Boden	880mm
Maschinenabmessung(L x B x H)	1100x390x1650mm
Gewicht	74 kg
Netzanschluss	230V ~1/N/PE 50Hz
Abgabeleistung	1.1 kW S1
Betriebsstrom	3 A
Anschlussleitung H07RN-F):	3x1,5mm ²
Bauseitige Absicherung	10 A

SX-815DVP:

Rollendurchmesser Schnitt bei 90°	244 mm
Schnitt bei 45°	Ø 150mm W160x150mm
Schnitt bei 60°	Ø 95mm W95 x 130mm
Sägearm-Schwenkung	0° - 60°
Sägebandlänge	1735 mm
Sägebandbreite	12.7 mm
Sägebandstärke	0.64 mm
Schnittgeschwindigkeit	20~65 m/min
Schraubstock vom Boden	880mm
Maschinenabmessung(L x B x H)	970x560x1590mm
Gewicht	105 kg
Netzanschluss	230V ~1/N/PE 50Hz
Abgabeleistung	1.1 kW S1
Betriebsstrom	3 A
Anschlussleitung H07RN-F):	3x1,5mm ²
Bauseitige Absicherung	10 A
Kühlmittelbehälter	8 Liter
Kühlmittelpumpe	0,07 PS

4.2 Schallemission

Schalldruckpegel (nach EN 11202):

Leerlauf	70,0 dB(A)
Bearbeitung	87,8 dB(A)

Die angegebenen Werte sind Emissionspegel und sind nicht notwendigerweise Pegel für sicheres Arbeiten.

Sie sollen dem Anwender eine Abschätzung der Gefährdung und des Risikos ermöglichen.

4.3 Lieferumfang

Maschinenuntersatz mit Rädern
Bi-Metall-Sägeblatt
Einstellbarer Ablänganschlag
Maschinenständer
Kühlmittleinrichtung (SX-815DVP)
Montagezubehör
Gebrauchsanleitung
Ersatzteilliste

5. Maschinenbeschreibung

Bei richtiger Bedienung und Wartung ist die sichere Funktion und die hohe Arbeitsgenauigkeit über Jahre hinaus gewährleistet.

Die Maschine sollte nur nach eingehendem Studium der Bedienungsanleitung und nur, wenn alle Handgriffe, die zur Bedienung gehören, sicher verstanden und beherrscht werden, in Betrieb gesetzt werden.

Dazu sollte die Maschine in ihren einzelnen Funktionen durchgefahren werden, ohne dass dabei die Maschine in Betrieb gesetzt wird.

Hauptbedienungselemente

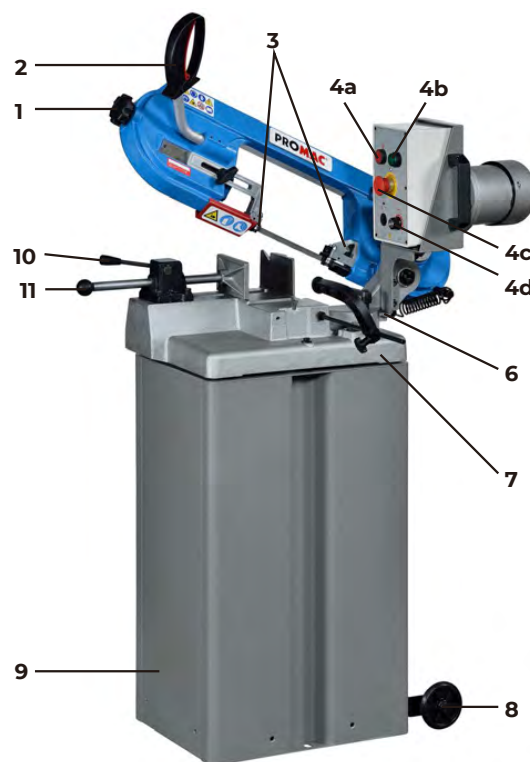


Fig 1

- | | |
|---------------------------|--------------------------------|
| 1.) Bandspannrad | 6.) Lagerbock |
| 2.) Handgriff mit Drucker | 7.) Maschinenbett |
| 3.) Sägebandführung | 8.) Transporträder |
| 4a) Stopptaste | 9.) Maschinenstand |
| 4b) Starttaste | 10.) Feststellhebel |
| 4c) Not-/Ausschalter | 11.) Schnellspann-Schraubstock |
| 4d) Drehzahlregler | |

Montage der Maschine - SX-815DV



Fig 3

1. Die 4 Standbleche miteinander verschrauben.
2. Maschine mit Stand verschrauben.
3. Transporträder an Stand befestigen.
4. Maschine ist fertig montiert.

Reinigung und Schmierung der neuen Maschine

Für den Transport sind die blanken Flächen der Maschine mit einem zähen Fett gegen Korrosion geschützt.

Dieses muss, bevor die Maschine in Betrieb gesetzt wird, vollständig entfernt werden. Dazu ist entweder Petroleum oder Waschbenzin zu verwenden.

Hinweis: Keine Lackverdünner oder ähnliches verwenden, da sonst die Lackierung der Maschine zerstört wird.

Darauf achten, dass keine Lösungsmittel oder Fette an Gummi- und Kunststoffteile gelangen.

Nach der Reinigung sind alle blanken Teile mit einem Oelfilm zu überziehen, das mittelviskose Oel

Art. 100385 verwenden.

VORBEREITUNGEN ZUM BETRIEB

Alle Teile der Maschine vor der Inbetriebsetzung auf einwandfreien Zustand und Funktion prüfen. Wenn die der Maschine entsprechenden Sicherheitsvorkehrungen und die maschinengerechte Bedienung eingehalten werden, ist die Präzision der Maschine über lange Zeit gewährleistet.

6 Aufstellung der Maschine

Instandhaltung und Transport

1. Das Gewicht der Maschine ist nicht gleichmäßig auf Ihre Grundfläche verteilt!
Vor jedem Transportieren / Verschieben ist unbedingt zu kontrollieren, dass die gewählten Anhebe / Tragepunkte einen stabilen Transport ermöglichen.
2. Das Transportieren / Verschieben der Maschine mittels Kran oder Stapler muss langsam und äußerst vorsichtig erfolgen. Kippgefahr!

Hinweise zum Gebrauch der Maschine

- Zur Bedienung der Maschine ist lediglich eine Person erforderlich.
- Um ein sicheres Bedienen der Maschine zu gewährleisten sollte diese in ihren einzelnen Funktionen durchgefahren werden, ohne dass sie dabei in Betrieb gesetzt wird.
- Bevor Sie mit dem Sägen beginnen, vergewissern Sie sich, dass das Werkstück fest im Spannstock eingespannt und das Ende in geeigneter Weise abgestützt ist.
- Verwenden Sie ausschließlich Sägeblätter, die in Größe mit denen in der nachstehend aufgeführten Tabelle übereinstimmen.
- Setzen Sie sich mit dem Händler in Verbindung, bevor Sie Instandsetzungsarbeiten an der Maschine ausführen.

MINDESTANFORDERUNGEN AN DIE MASCHINENUMGEBUNG

- Netzspannung und Frequenz müssen für den Motor geeignet sein.
- Die Umgebungstemperatur sollte zwischen -10° und $+50^{\circ}$ betragen.
- Die relative Luftfeuchtigkeit darf 90° nicht überschreiten.

GEBRAUCH DER BANDSÄGE

Mit dieser Maschine lassen sich Baustoffe mit verschiedenen Formen und Profilen aus Metall schneiden, die in Werkstätten, Drehereien und allgemein für mechanische Konstruktionen benötigt werden. Von anderem Gebrauch wird dringend abgeraten.

Die Sägebandzahnung muss auf die Dicke des zu verarbeitenden Werkstückes abgestimmt sein (siehe Kapitel Wahl des Sägebandes).

Die Beleuchtung für ein sicheres Arbeiten muss 300 LUX betragen.

EINSTELLEN DER SÄGEBANDFÜHRUNGSLAGER

Der Sägebandrücken muss auf dem oberen Führungslager aufliegen während das Sägeband zwischen den beiden Führungslagern geführt wird. Für die Einstellung der linken Bandführung lösen Sie die hintere Schraube des Exzenters. Jetzt mittels Exzenter das Führungslager auf das Sägeband einstellen. Die Schraube wieder fest anziehen. Die Führungslager auf der rechten Seite können auf dieselbe Weise eingestellt werden, mit dem Unterschied daß das verstellbare Führungselement hier vorne liegt. Achten Sie darauf, dass das Spiel zwischen dem Sägeband und den Führungselementen höchstens 0,05 mm beträgt.

SCHRAUBSTOCK

Das Werkstück muss so in den Schraubstock eingespannt werden, dass das zu bearbeitende Werkstückende über das Sägeband hinausragt. Die bewegliche Schraubstockbacke kann über den Spannhebel eingestellt werden. Für das Einspannen des Werkstücks, führen Sie den Schraubstock mit dem Spannhebel in einen Abstand von 2mm zum Werkstück heran. Das Werkstück im Schraubstock durch Drehen des Schnellspannhebels festklemmen. Den einstellbaren, linken Bandführungskopf so weit wie möglich zum Werkstück führen. Das Bandspanner-Handrad bis zum Anschlag drehen.

7. Inbetriebnahme

HINWEIS

Bei fehlerhaftem Betrieb oder Gefahr kann die Maschine sofort durch Drücken der roten Taste angehalten werden.

1. Kontrollieren Sie die Sägeband-Spannung.
2. Klemmen Sie das Werkstück durch Drehen des Schnellspannhebels im Schraubstock fest.
3. Den einstellbaren Bandführungskopf so nah wie möglich zum Werkstück führen.
4. Schalten Sie die Maschine ein indem Sie zuerst die Schalttaste „EIN“ und anschließend den Drückerschalter am Handgriff drücken.
5. Die Lebensdauer des Sägebandes kann massiv erhöht werden, wenn Sie dieses mit dem Stickwachs Art. 100103 schmieren.
6. Nach dem getätigten Schnitt kommt die Maschine durch Loslassen des Drückerschalters am Handgriff zum Stillstand.

EIN- / AUSSCHALTEN DER MASCHINE

Um die Maschine einzuschalten, Sägearm anheben. Zuerst die Taste „EIN“ und dann den Drückerschalter am Handgriff drücken. Die Maschine schaltet sich aus wenn Sie entweder den Drückerschalter am Handgriff loslassen oder die Stopptaste drücken. Die Drehzahl lässt sich durch drehen des Drehzahlwahlschalters stufenlos verstellen.

EINSTELLEN DES SÄGEBANDVERLAUFS

Der Verlauf des Sägebands ist korrekt, wenn der Sägebandrücken die Seiten der beiden Schwungräder berührt. Sollte dies nicht der Fall sein, lösen / spannen Sie die Schraube des Spannrades bis das Sägeband mittig verläuft.

EINSTELLEN DER SÄGEBANDFÜHRUNGEN

Die Bandführungen müssen so nah wie möglich zu den Schraubstockbacken eingestellt werden. Der rechte Bandführungskopf ist fix; der linke folgt den Bewegungen der Schraubstockbacke. Um die Position des linken Bandführungskopfes einzustellen, den Spanngriff lösen. Den Spanngriff nach der Einstellung wieder festziehen.

ERSETZEN DES SÄGEBANDES

Die Maschine wird mit Sägeband geliefert. Für Sägebänder mit optimaler Zahnung beachten Sie bitte die nachstehende Tabelle. Sie benötigen Sägebänder mit den folgenden Massen: 1735 x 13 x 0.64mm.

1. Trennen Sie die Maschine durch Ausziehen des Netzsteckers vom Netz.
2. Heben Sie den Sägearm ganz hoch.
3. Öffnen Sie die Abdeckung der Bandräder und entfernen Sie die Sägespäne.
4. Lösen Sie das Bandspanner-Handrad (nach links drehen).
5. Schieben Sie die linke Sägearmführung möglichst weit nach rechts.
6. Lösen Sie das Band von den beiden Schwungrädern und von den Bandführungen.
7. Achten Sie beim Einsetzen des neuen Sägebandes darauf, dass es entsprechend der Schnittrichtung der Zähne eingesetzt wird. (Zahnung in Richtung des Pfeils auf dem Sägearm)
8. Legen Sie das neue Sägeblatt auf die Bandräder.
9. Schieben Sie das Sägeband in den Führungslagern bis ganz nach oben. Der Bandrücken muss das hintere Führungslager berühren.
10. Spannen Sie das Band leicht und bewegen Sie es auf den Bandrädern.
11. Kontrollieren Sie das Band auf die korrekte Position in ihren Führungen und das Aufliegen des Rückens an die Räderanschlüge und spannen Sie das Sägeband.
12. Schalten Sie die Maschine kurz für einen Probelauf ein. Falls das Sägeband nicht mittig verläuft, lesen Sie das Kapitel „Einstellen des Sägebandverlaufs“.

Einschneiden des Sägebandes:

Ein nicht sofort voll belastetes Sägeband hält wesentlich länger.

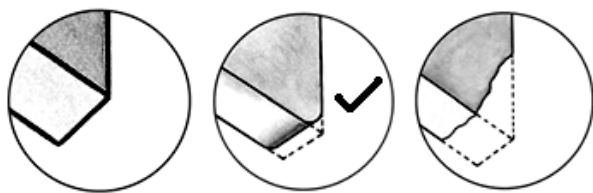


Fig 4

Führen Sie für 10 Minuten die Schnitte mit stark reduziertem Schnittdruck aus (Schneidkantenverrundung).

Danach den Schnittdruck langsam auf normale Werte steigern.

Schnittdruck Wahl:

Die Form der Sägespäne ist ein gutes Maß für den richtigen Schnittdruck.



Richtig:
Lose gerollte Späne

Falls die Späne dünn oder pulverförmig sind steigern Sie den Schnittdruck.

Falls die Späne verbrannt sind reduzieren Sie die Schnittgeschwindigkeit und den Schnittdruck.

8. Wahl des Sägebandes

- 1) Wählen Sie eine Zahnung, die dem zu bearbeitenden Werkstück angepasst ist. Optimalerweise sollten jederzeit mindestens 3 Zähne gleichzeitig im Eingriff sein.
- 2) Die Wahl der Zahnung sollte nicht feiner als nötig ausfallen, da durch gleichzeitiges Einwirken zu vieler Zähne auf das Werkstück die Schnittgeschwindigkeit verringert wird und sich dadurch das Sägeband schneller abnützt und die Sägeschnitte krumm und nicht parallel ausfallen.
- 3) Die nachstehende Tabelle gibt die annähernde Zahnung der Sägebänder in Bezug auf die Materialdicke an. Für weitere Fragen wenden Sie sich bitte an Ihren Sägebandhändler.

Tabelle für die Sägebandwahl

Materialstärke	Zähnezahl / Zoll	Artikel-Nr.
< 3 mm	18	2157
2 - 5 mm	10 / 14	2156
4 - 8 mm	8 / 12	2155
> 6 mm	6 / 10	2154

S mm	T / "
< 3	18
2 - 5	10/14
4 - 8	8/12
6 - 12	6/10
8 - 15	5/8

Fig 5

D mm	T / "
< 30	10/14
20 - 50	8/12
25 - 60	6/10
35 - 80	5/8
50 - 100	4/6
80 - 150	3/4
>120	2/3

Fig 6

Bemerkung

- 1) Die 10/14 „ Zahnung ergibt ein gutes Schnittergebnis für dünnwandige Rohre und Profile.
- 2) Die Wahl der Zahnung (d.h. die Anzahl Zähne pro Zoll) muß so getroffen werden, dass immer mindestens 3 Zähne gleichzeitig im Einsatz sind.

Zum Zerspanen von großen Querschnitten ist eine grobe Zahnteilung ("T") erforderlich um die großen Späne aufzunehmen (Fig 7).

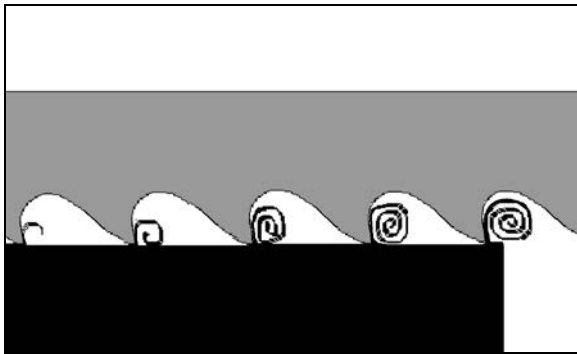


Fig 7

Wahl der Schnittgeschwindigkeit:

Als allgemeine Regel gilt, je härter das Material desto langsamer die Schnittgeschwindigkeit.

20 m/min

Für hochlegierten Stahl und Lagerbronzen.

30-50 m/min

Für niedriglegierten Stahl, Hartmessing oder Bronze.

65 m/min

Für Weichmessing, Aluminium und Kunststoffe.

Sägeband – Schmiermittel:

Die Lebensdauer des Sägebandes kann massiv erhöht werden, wenn Sie dieses mit dem Stickwachs Art. 100103 schmieren.

ACHTUNG

Einige Werkstoffe, wie z.B. Rostfreier Stahl oder Aluminium bedürfen spezifischer Öle.

9. Wartungsarbeiten

Nachstehend sind die wichtigsten Wartungseingriffe angeführt, die in tägliche, wöchentliche, monatliche und halbjährliche Eingriffe unterteilt werden können.

Die Nichteinhaltung der vorgesehenen Arbeiten bedingt einen vorzeitigen Verschleiß und geringere Leistung der Maschine.

Tägliche Wartung

- Entfernen von Sägespänen.
- Sägeblatt auf Verschleiß kontrollieren.
- Sägearm ganz hoch stellen und das Sägeblatt lösen, um unnötige Beanspruchung zu vermeiden..
- Schutzabdeckungen und Not /-Aus-Vorrichtungen auf einwandfreie Funktion überprüfen.

Wöchentliche Wartung

- Maschine gründlich reinigen, um Späne zu entfernen.
- Reinigung und Schmierung der Spannschraube, der Schraubstocknuten und der Führungen
- Sägebandlagerungen reinigen
- Zähne schleifen.

Monatliche Wartung

- Alle Schrauben nachziehen
- Schutzabdeckungen und Vorrichtungen auf ihre Integrität kontrollieren.

Halbjährliche Wartung

- Entleerung des Getriebekastens. Die erste Leerung sollte nach 50 Betriebsstunden erfolgen.

Verwenden Sie das Schmieröl Art. 100 381 (SAE 90) oder ein gleichwertiges Schmieröl

Außerordentliche Wartung

Die außerordentliche Wartung ist vom Fachpersonal durchführen zu lassen. Es empfiehlt sich auf jeden Fall, sich an Ihren Maschinenhändler zu wenden.

Als außerordentliche Wartung ist auch die Wiederherstellung der Schutzabdeckungen und Sicherheitsvorrichtungen anzusehen.

AUSSERBETRIEBSETZUNG

Wenn die Maschine längere Zeit nicht verwendet wird, empfiehlt es sich:

- den elektrischen Netzstecker zu ziehen.
- die Maschine sorgfältig zu reinigen und ausreichend zu konservieren.
- falls erforderlich, die Maschine mit einer Plane zuzudecken.

10. Umweltschutz

Schützen Sie die Umwelt!

Ihr Gerät enthält mehrere unterschiedliche, wieder verwertbare Werkstoffe.

Bitte entsorgen Sie es nur an einer spezialisierten Entsorgungsstelle.

11. Lieferbares Zubehör

Siehe die Preisliste.

FR - FRANCAIS

MODE D'EMPLOI

Cher client,

Nous vous remercions de la confiance que vous nous portez avec l'achat de votre nouvelle machine. Ce manuel a été préparé pour l'opérateur de la scie à ruban pour métaux SX-815DV / SX-815DVP. Son but, mis à part le fonctionnement de la machine, est de contribuer à la sécurité par l'application des procédés corrects d'utilisation et de maintenance. Avant de mettre l'appareil en marche, lire les consignes de sécurité et de maintenance dans leur intégralité. Pour obtenir une longévité et fiabilité maximales de votre scie, et pour contribuer à l'usage sûr de la machine, veuillez lire attentivement ce mode d'emploi et suivre les instructions.

Table des Matières

1. Déclaration de conformité
2. Prestations de garantie
3. Sécurité
4. Spécifications
5. Description de la machine
6. Installation de la machine
7. Mise en marche
8. Sélection du ruban
9. Entretien
10. Protection de l'environnement
11. Accessoires

1. Déclaration de conformité

Par le présent et sous notre responsabilité exclusive, nous déclarons que ce produit satisfait aux normes conformément aux lignes directrices indiquées page 2. Le constructeur a tenu compte des normes** suivantes.

2. Prestations de garantie

TOOL FRANCE garantit que le produit fourni est exempt de défauts matériels et de défauts de fabrication.

Cette garantie ne couvre pas les défauts qui sont causés, directement ou indirectement, par l'utilisation incorrecte, la négligence, les dommages accidentels, la réparation, la maintenance ou le nettoyage incorrects et l'usure normale.

Vous pouvez trouver de plus amples détails sur la garantie dans les conditions générales (CG).

Les CG peuvent être envoyées par poste sur demande. TOOL FRANCE se réserve le droit d'effectuer des changements sur le produit et les accessoires à tout moment.

3. Sécurité

3.1 Utilisation conforme

La machine est conçue pour le sciage de métaux et de matières plastiques à coupe rapide.

Le sciage d'autres matériaux est interdit et ne peut être effectué que dans des cas spéciaux et après accord du fabricant de la machine.

Ne jamais couper du magnésium -
Danger d'incendie!

Pour l'usinage, la pièce doit se laisser poser et serrer sans problème.

L'utilisation conforme implique le strict respect des instructions de service et de maintenance indiquées dans ce manuel.

La machine doit être exclusivement utilisée par des personnes familiarisées avec le fonctionnement, la maintenance et la remise en état, et qui sont informées des dangers correspondants.

L'âge minimum requis par la loi est à respecter.

La machine ne doit être utilisée que si elle est techniquement en parfait état.

N'utiliser la machine que si tous les dispositifs de sécurité et de protection sont en place.

En plus des directives de sécurité contenues dans ce mode d'emploi et des consignes de sécurité en vigueur dans votre pays, il faut respecter les règles générales concernant l'utilisation des machines pour le travail des métaux.

Toute utilisation sortant de ce cadre est considérée comme non-conforme et le fabricant décline toute responsabilité, qui est dans ce cas rejetée exclusivement sur l'utilisateur.

3.2 Consignes de sécurité

L'utilisation non-conforme d'une machine pour le travail des métaux peut être très dangereuse. C'est pourquoi vous devez respecter scrupuleusement les consignes de lutte contre les accidents et les instructions suivantes.

Lire attentivement et comprendre ce mode d'emploi avant de monter ou d'utiliser votre appareil.

Conserver à proximité de la machine tous les documents fournis avec l'outillage (dans une pochette en plastique, à l'abri de la poussière, de l'huile et de l'humidité) et veiller à joindre cette documentation si vous cédez l'appareil.

Ne pas effectuer de modifications à la machine. Utiliser les accessoires recommandés, des accessoires incorrects peuvent être dangereux.

Chaque jour avant d'utiliser la machine, contrôler les dispositifs de protection et le fonctionnement impeccable.

En cas de défauts à la machine ou aux dispositifs de protection avertir les personnes compétentes et ne pas utiliser la machine. Déconnecter la machine du réseau.

Avant de mettre la machine en marche, retirer cravate, bagues, montre ou autres bijoux et retrousser les manches jusqu'aux coudes. Enlever tous vêtements flottants et nouer les cheveux longs.

Porter des chaussures de sécurité, surtout pas de tenue de loisirs ou de sandales.

Porter des équipements de sécurité personnels pour travailler à la machine.

Ne pas porter **de gants**.

Pour manœuvrer les lames porter des gants appropriés.

Porter des lunettes de protection pendant le travail.

Placer la machine de sorte à laisser un espace suffisant pour la manœuvre et le guidage des pièces à usiner.

Veiller à un éclairage suffisant.

Placer la machine sur un sol stable et plat.

S'assurer que le câble d'alimentation ne gêne pas le travail ni ne risque de faire trébucher l'opérateur.

Conserver le sol autour de la machine propre, sans déchets, huile ou graisse.

Ne jamais mettre la main dans la machine en marche.

Prêter grande attention au travail et rester concentré.

Eviter toute position corporelle anormale.

Veiller à une position stable et garder un bon équilibre à tout moment.

Ne pas travailler sous l'influence de drogues, d'alcool ou de médicaments.

Eloigner toutes personnes incompetentes de la machine, surtout les enfants.

Ne jamais laisser la machine en marche sans surveillance.

Arrêter la machine avant de quitter la zone de travail.

Ne pas mettre la machine à proximité de liquides ou de gaz inflammables, respecter les consignes de lutte contre les incendies, par ex le lieu et l'utilisation des extincteurs.

Préserver la machine de l'humidité et ne jamais l'exposer à la pluie.

Pour le sciage de pièces difficiles à manœuvrer, utiliser un support.

Abaisser les guides-lames le plus près possible à la pièce à usiner.

Ne pas enlever les copeaux et les pièces usinées avant que la machine ne soit à l'arrêt.

N'utiliser que des outils bien affûtés.

Avant de commencer le travail, contrôler que la pièce est bien assurée.

Se tenir aux spécifications concernant la dimension maximale ou minimale de la pièce à usiner.

Ne pas se mettre sur la machine.

Ne jamais mettre la machine en service sans les dispositifs de protection – risque de blessures graves!

Tous travaux de branchement et de réparation sur l'installation électrique doivent être exécutés uniquement par un électricien qualifié.

Remplacer immédiatement tout câble endommagé ou usé.

Faire tous les travaux de réglage ou de maintenance seulement après avoir débranché la machine du réseau.

3.3 Risques

Même en respectant les directives et les consignes de sécurité les risques suivants existent.

Risque de blessures par la lame libre dans la zone de travail.

Danger par rupture de la lame.

Danger de pièces éjectées.

Risque de nuisances par copeaux et bruit.

Porter équipements de sécurité personnels tels que lunettes, cache-visage pour travailler à la machine!

Danger par câble électrique endommagé, usé ou mal branché.

4. Spécifications

4.1 Indications techniques

SX-815DV:

Diamètre de rouleau	244 mm
Largeur de coupe à 90°	Ø 150mm W170x150mm
Largeur de coupe à 45°	Ø 105mm W105 x 130 mm
Largeur de coupe à 60°	Ø 65mm W65 x 80mm
Pivotement bras de scie	0° - 60°
Longueur de lame	1735 mm
Largeur de lame	12.7 mm
Épaisseur de lame	0.64 mm
Vitesses de lame	20~65 m/min
Distance étau-table	880mm
Dim. machine (L x l x h)	1100x390x1650mm
Poids net	74 kg
Voltage	230V ~1/N/PE 50Hz
Puissance	1.1 kW S1
Courant électrique	3 A
Raccordement (H07RN-F):	3x1,5mm ²
Fusible du secteur élect.	10 A

SX-815DVP:

Diamètre de rouleau	244 mm
Largeur de coupe à 90°	Ø 150mm W160x150mm
Largeur de coupe à 45°	Ø 95mm W95 x 130 mm
Largeur de coupe à 60°	Ø 55mm W55 x 80mm
Pivotement bras de scie	0° - 60°
Longueur de lame	1735 mm
Largeur de lame	12.7 mm
Épaisseur de lame	0.64 mm
Vitesses de lame	20~65 m/min
Distance étau-table	880mm
Dim. machine (L x l x h)	970x560x1590mm
Poids net	105 kg
Voltage	230V ~1/N/PE 50Hz
Puissance	1.1 kW S1
Courant électrique	3 A
Raccordement (H07RN-F):	3x1,5mm ²
Fusible du secteur élect.	10 A
Réservoir fluide refroidissant	8 litre
Pompe fluide refroidissant	0,07 CV

4.2 Emission de bruit

Niveau de pression sonore (selon EN 11202):

Marche à vide	70,0 dB(A)
Usinage	87,8 dB(A)

Les indications données sont des niveaux de bruit et ne sont pas forcément les niveaux pour un travail sûr. Cette information est tout de même importante, ainsi l'utilisateur peut estimer les dangers et les risques possibles.

4.3 Contenu de la livraison

Socle de machine sur roulettes
Lame de scie en bi-métal
Butée en bout réglable
Support de machine
Dispositif de refroidissement (SX-815DVP)
Accessoires pour le montage
Mode d'emploi
Liste pièces de rechange

5. Description de la machine

Avec une utilisation conforme à ses capacités et une maintenance régulière, son bon fonctionnement et sa grande précision de travail sont garantis pour de longues années.

La machine ne doit être utilisée que par du personnel qui a pris soin d'étudier le manuel d'utilisation, qui comprend et maîtrise son maniement.

Pour cela chaque fonction de la machine doit être exécutée à vide et maîtrisée, avant qu'elle soit utilisée en travail.

Eléments principaux

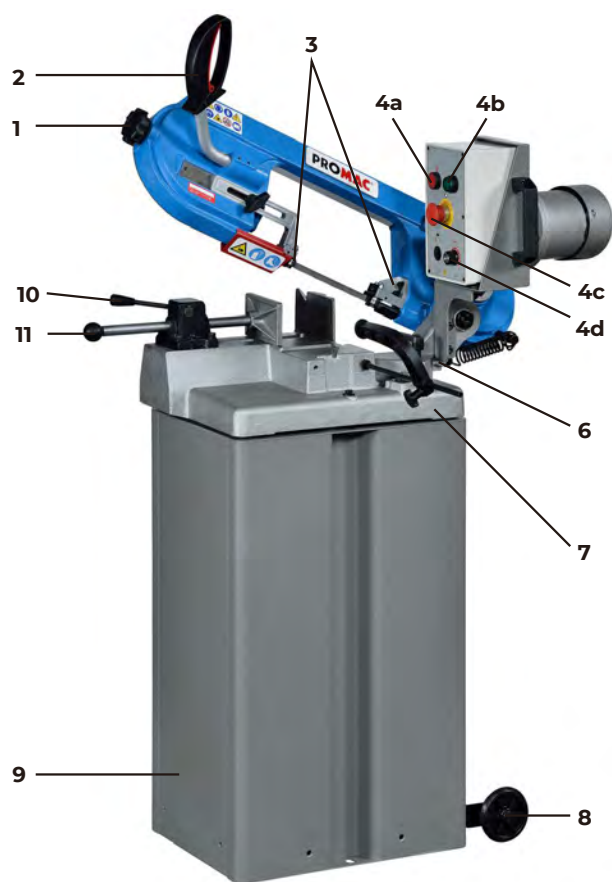


Fig 1

- 1.) Manivelle de tension de lame
- 2.) Poignée de mise en marche
- 3.) Guide-lame
- 4a) Inter Stop
- 4b) Inter Start
- 4c) Inter Poing
- 4d) Inter vitesses
- 5.) Moteur principal
- 6.) Bras de l'archet
- 7.) Base de la machine
- 8.) Roues de transport
- 9.) Socle de la machine
- 10.) Levier de blocage
- 11.) Etau à serrage rapide

Montage de la machine

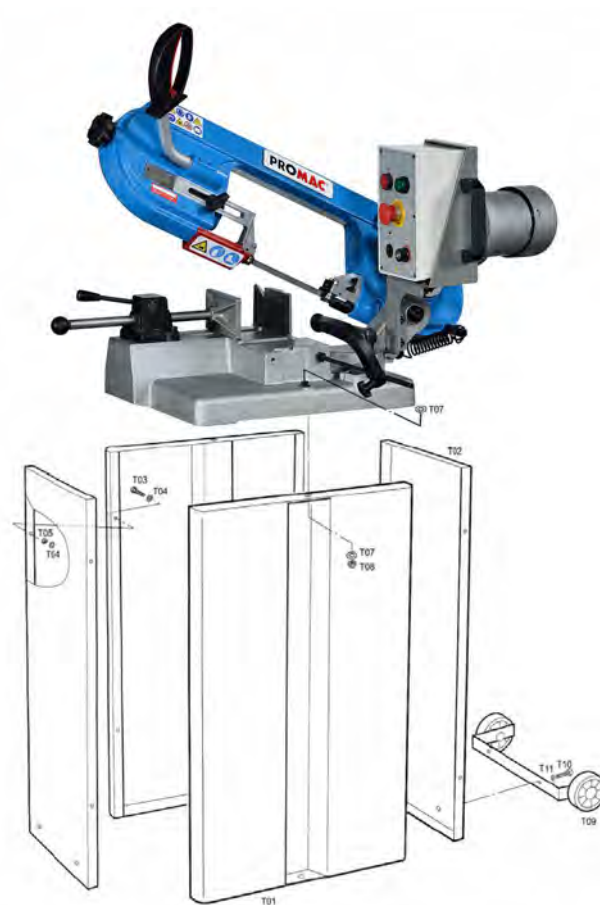


Fig 2

1. Visser les 4 tôles formant le socle.
2. Visser la machine avec le stand.
3. Fixer les roues à l'arrière du stand.
4. La machine est prête.

Nettoyage et graissage d'une machine neuve

Pendant le transport toutes les parties brillantes de la machine (non peintes) sont enduites d'une graisse anticorrosion. Cette protection doit être totalement supprimée avant la mise en service de la machine. Pour ce faire utiliser du pétrole ou de l'éther de pétrole.

Attention: Ne pas utiliser un diluant de peinture, quel qu'il soit, sinon la peinture de la machine enserait détériorée.

Durant cette opération veiller à ce qu'aucune pièce à base de caoutchouc ou de matière synthétique soit touchée par le solvant de la graisse.

Après le nettoyage les parties non peintes sont à enduire d'un léger film d'huile de viscosité moyenne, Article Nr. :100385.

Préparation pour la mise en service

Avant de mettre la machine en service, vérifier que toutes ses pièces sont en bon état et que son fonctionnement à vide est correct. Si les mesures de sécurité et les conditions normales d'utilisation de la machine sont respectées, sa précision sera assurée pendant de longues années.

6. Installation de la machine

Manutention et transport

1. Le poids de la machine est reparti de façon inégale sur la surface du bâti. Avant tout déplacement, veillez à ce que les points de soutien assurent une stabilité correcte.
2. Les déplacements de la machine à l'aide d'un chariot élévateur doivent être pratiqués lentement et avec la plus grande précaution. Risque de renversement!

Recommandations concernant la machine

- Le fonctionnement de la machine ne demande qu'une seule personne
- Afin d'assurer la meilleure mise en service possible, nous recommandons de faire fonctionner la machine neuve, sans charge, pendant une demi-heure - Avant chaque coupe, s'assurer que la pièce est solidement bloquée dans l'étau et qu'elle est maintenue de façon appropriée aux extrémités
- Seuls les rubans de scie dont les dimensions figurent dans les spécifications doivent être montés sur la machine
- Consultez votre revendeur spécialisé avant d'entreprendre vous-même tout genre de réparation

INSTALLATION DE LA MACHINE

Veiller à ce que le local d'installation remplisse les conditions minimales suivantes:

- Alimentation électrique en conformité avec les caractéristiques du moteur d'entraînement
- Température ambiante: -10°C à +50°C
- Humidité relative de l'air: inférieure à 90%

UTILISATION

- La machine sert à la coupe des matériaux métalliques de profils et formes variés et d'un type couramment utilisé dans les ateliers mécaniques, l'industrie du décolletage et la construction métallique. Tout autre utilisation que le sciage est strictement déconseillé.
- Il faut impérativement que le ruban ait la denture appropriée à l'épaisseur du matériau à couper.
- L'éclairage ambiant doit être de 300 Lux minimum sur la zone de travail.

RÉGLAGE DES SUPPORTS-GUIDES LAME

Le dos du ruban de scie doit s'appuyer sur le support guide arrière et le ruban doit passer entre les roulements.

En desserrant le boulon, le guide arrière du support de gauche, monté sur un excentrique, peut facilement être déplacé et ajusté à l'épaisseur du ruban. Les roulements sur le côté droit sont ajustés de la même manière, à la différence près que le guide ajustable est ici situé à l'avant. L'écart entre le ruban et les roulements ne doit pas dépasser 0,05 mm.

ÉTAU

La pièce doit être prise dans l'étau de manière à ce que l'extrémité à couper dépasse le ruban. Le déplacement de la mâchoire de l'étau se fait à l'aide du levier (12) de l'étau. Pour le serrage de la pièce il faut approcher l'étau de la pièce à serrer en prenant soin de mettre le levier de l'étau en position haute. Ensuite reculer légèrement la mâchoire et bloquer la pièce en abaissant le petit levier de l'étau.

7. Mise en marche

ATTENTION :

En cas de danger ou d'incident de fonctionnement, appuyer sur le bouton-poussoir rouge interrompant toute activité de la machine!

1. Contrôler la tension du ruban.
2. Bloquer la pièce à usiner dans l'étau.
3. Approcher le plus possible le guide lame gauche de la pièce à couper.
4. Mettre la machine en marche en appuyant sur le bouton de démarrage „I“ et après en appuyant sur l'inter de la poignée.
5. La durée du ruban est prolongée si vous le graissez régulièrement avec de la graisse de sciage pour métaux (Art. 100103; vendue en Suisse seulement).
6. Une fois la coupe effectuée, la machine s'arrête en relâchant l'inter de la poignée.

MISE EN MARCHÉ ET ARRÊT DE LA MACHINE

Pour la mise en marche, le bras de scie doit être soulevé. Appuyer sur l'inter de démarrage, ensuite appuyer sur l'inter de la poignée de descente de l'archet. La machine s'arrête lorsque l'on relâche l'inter de la poignée ou si l'on appuie sur le bouton-poussoir d'arrêt. Dans le modèle sont les vitesses réglable avec l'interrupteur de vitesses.

RÉGLAGE DE LA COURSE DU RUBAN

S'assurer en ouvrant le carter de l'archer que la ruban se déplace correctement sur les volants en restant en appui sur le talon des volants.

RÉGLAGE DES GUIDES-LAME

Les guides-lame doivent être positionnés aussi près que possible des mâchoires d'étau. Le guide de droite est fixe, par contre le guide de gauche peut être déplacé. On règle la position du guide de gauche après avoir desserré la molette (14). Bien resserrer la molette après ce réglage.

REMPACEMENT DU RUBAN DE SCIE

La machine est livrée équipée d'un ruban. Pour le choix de la denture la mieux adaptée aux travaux, veuillez vous reporter au tableau de la page suivante. Le modèle 815DA exige un ruban de dimensions 1735 x 13 x 0.64mm.

1. Débrancher la machine de sa source d'énergie
2. Soulever le bras de scie
3. Ouvrir le capot protecteur du ruban et enlever les copeaux accumulés
4. Détendre le ruban en tournant le volant de tension vers la gauche
5. Pousser le guide lame gauche le plus loin possible vers la droite
6. Dégager le ruban des deux volants et des guides lame
7. Contrôler l'orientation des dents du ruban à installer, le retourner au besoin. Denture dans le sens de la flèche située sur l'archet
8. Placer le ruban sur les volants
9. Pousser le ruban, dans les guides lame, complètement vers le haut. Le dos du ruban doit s'appuyer sur le roulement arrière
10. Tendre légèrement le ruban tout en le faisant bouger sur les volants.
11. Après avoir contrôlé la position du ruban dans les guides et l'appui de son dos aux épaulements des deux volants, rétablir la tension du ruban
12. Mettre brièvement en marche la machine afin de s'assurer du bon défilement du ruban. Si le déplacement s'avère incorrect, se reporter au chapitre „Réglage de la course du ruban“.

IMPORTANT

Vérifier que le dos du ruban s'appuie correctement sur les épaulements des deux volants.

Rodage de lame

Une ruban qui n'est pas utilisée à plein régime dans les premiers instants, est opérationnelle plus longtemps.

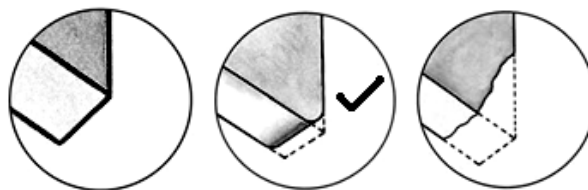


Fig 4

Laisser tourner la ruban neuve à vide pendant 2 minutes environ, puis exécuter les premières coupes (10 minutes) avec une pression réduite.

Réglage pression de coupe

La forme des copeaux est un excellent indicateur d'une pression de coupe adéquate.



Conditions idéales:
Copeaux enroulés et lâches.

Si les copeaux sont fins ou brisés, il faut augmenter la pression de coupe.

Si les copeaux sont brûlés, il faut réduire la vitesse de coupe et réduire la pression.

8. Sélection du ruban

1. Utiliser une denture adaptée à l'épaisseur du matériau à couper. A tout moment, trois dents au moins doivent être en contact avec la pièce (les dents de scie sinon seraient endommagées).
2. Afin d'obtenir une surface de coupe propre, la denture ne doit pas être choisie plus fine que nécessaire (si le nombre des dents, en contact avec la pièce, est trop élevé, la vitesse de coupe est ralentie, le ruban s'use plus vite et les traits de scie sont courbés et manquent de parallélisme).
3. Le tableau suivant donne les dentures approximatives des rubans en fonction de l'épaisseur du matériau. Votre fournisseur de rubans ou l'ingénieur des méthodes pourra vous conseiller d'avantage au sujet de la denture la plus appropriée aux pièces à couper.

Tableau pour le choix de la denture du ruban

Épaisseur du matériau	Denture n°	d'article
< 3 mm	18	2157
2 – 5 mm	10 / 14	2156
4 – 8 mm	8 / 12	2155
> 6 mm	6 / 10	2154



	
S mm	 T / "
< 3	18
2 - 5	10/14
4 - 8	8/12
6 - 12	6/10
8 - 15	5/8

Fig 5



	
D mm	 T / "
< 30	10/14
20 - 50	8/12
25 - 60	6/10
35 - 80	5/8
50 - 100	4/6
80 - 150	3/4
>120	2/3

Fig 6

REMARQUE

1. La denture 10/14 (dents par pouce) donne en général de bonnes coupes avec les tubes et profilés en double-T ou I en fer sur des parois d'une épaisseur courante ou réduite.
2. Les matériaux à section rectangulaire doivent de préférence être attaqués par le côté étroit. Le choix de la denture (c'est-à-dire le nombre des dents par pouce) doit garantir que trois dents au moins sont simultanément en contact avec la pièce. Si le profil du côté étroit s'avère trop faible, c'est le côté large qui doit être placé face au ruban, et l'on choisira alors une denture de lame moins fine.

Il est nécessaire d'utiliser une denture grossière ("T") pour fraiser des grosses coupes transversales afin de pouvoir expulser les gros copeaux (Fig 7).

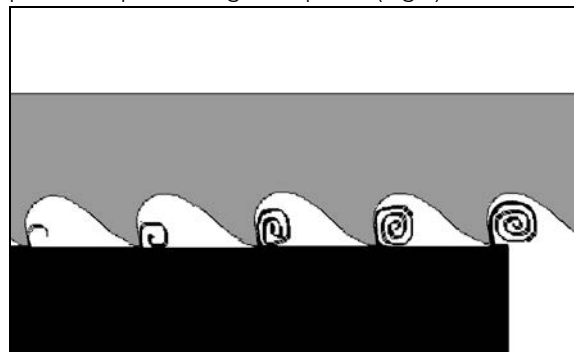


Fig 7

Choix de la vitesse de coupe

Appliquer la règle suivante : plus la matière est dure, moins la coupe doit être rapide.

20 m/min

Pour acier fortement allié et bronze à coussinets.

30-50 m/min

Pour acier faiblement allié, laiton dur ou bronze.

65 m/min

Pour laiton doux, aluminium et matières plastiques.

GRAISSAGE DU RUBAN

Pour une longue durée de vie du ruban, il est conseillé de graisser le ruban régulièrement avec une graisse de sciage pour métaux (Art. 100103).

ATTENTION

Certains matériaux tels que l'inox ou l'aluminium réclament des huiles spécifiques.

9. Entretien

Les travaux d'entretien les plus importants sont indiqués ci-après et classés en entretiens quotidiens, hebdomadaires, mensuels et semestriels. Un mauvais entretien, équivaut à une usure prématurée et une diminution du rendement.

Entretien journalier

- Enlèvement des copeaux
- Vérification de l'usure du ruban
- Soulèvement du bras afin d'éviter la fatigue du ressort de rappel
- Contrôle du fonctionnement des volets de protection et du bouton d'arrêt d'urgence

Entretien hebdomadaire

- Nettoyage général approfondi, enlèvement de copeaux.
- Nettoyage et graissage de la vis de tension, des rainures de l'étau et des bras-guides du ruban
- Nettoyage du logement du ruban
- Affûtage des dents
- Contrôle du fonctionnement des volets de protection et du bouton d'arrêt d'urgence

Entretien mensue

- Vérification du serrage de toutes les vis
- Contrôle de l'intégrité des volets de protection

Entretien semestriel

- Vidange de la boîte d'engrenage. La première vidange doit être effectuée après 50 heures de marche. Utiliser l'huile Art. 100 381 (SAE 90) , GEARCO 85W-140 de „National Chemsearch“ (France) ou une huile équivalente.

Entretien supplémentaire

Les travaux supplémentaires d'entretien doivent être réalisés par des spécialistes. Nous recommandons de s'adresser au concessionnaire.

Le remplacement des protections et la réparation des dispositifs de sécurité font partie de l'entretien supplémentaire.

MISE HORS SERVICE

Si la machine doit être mise au repos durant une période prolongée, nous recommandons:

- de débrancher la machine de sa source d'énergie
- de nettoyer soigneusement la machine et de l'enduire d'un agent conservateur
- de mettre la machine sous bâche, si nécessaire

10. Protection de l'environnement

Protégez l'environnement !

Votre appareil comprend plusieurs matières premières différentes et recyclables. Pour éliminer l'appareil usagé, veuillez l'apporter dans un centre spécialisé de recyclage des appareils électriques.

11. Accessoires

Pour diverses lames voir liste de prix.

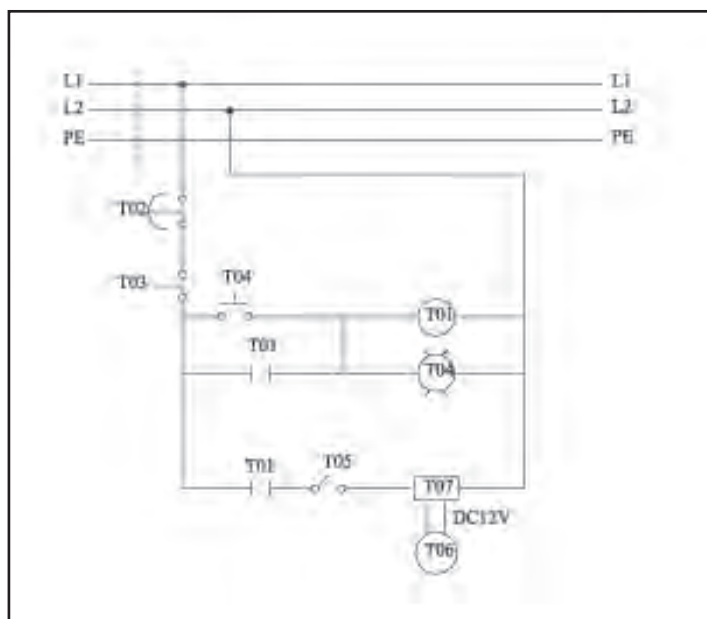
ELECTRICAL DIAGRAM / ELEKTRISCHE ANLAGE / SCHÉMA ÉLECTRIQUE

 **HINWEIS**

Das Elektroschema enthält die notwendigen Angaben für den korrekten Anschluss Ihrer Maschine ans Netz. Wird der Netzanschluss (Stecker) geändert oder sonstige Eingriffe vorgenommen, müssen diese von einem Fachmann vorgenommen werden.

 **AVERTISSEMENT**

Le schéma du câblage électrique contient les indications nécessaires au raccordement correct de la machine au réseau. Tous changements de raccordement (prise) doivent être effectués par un électricien.

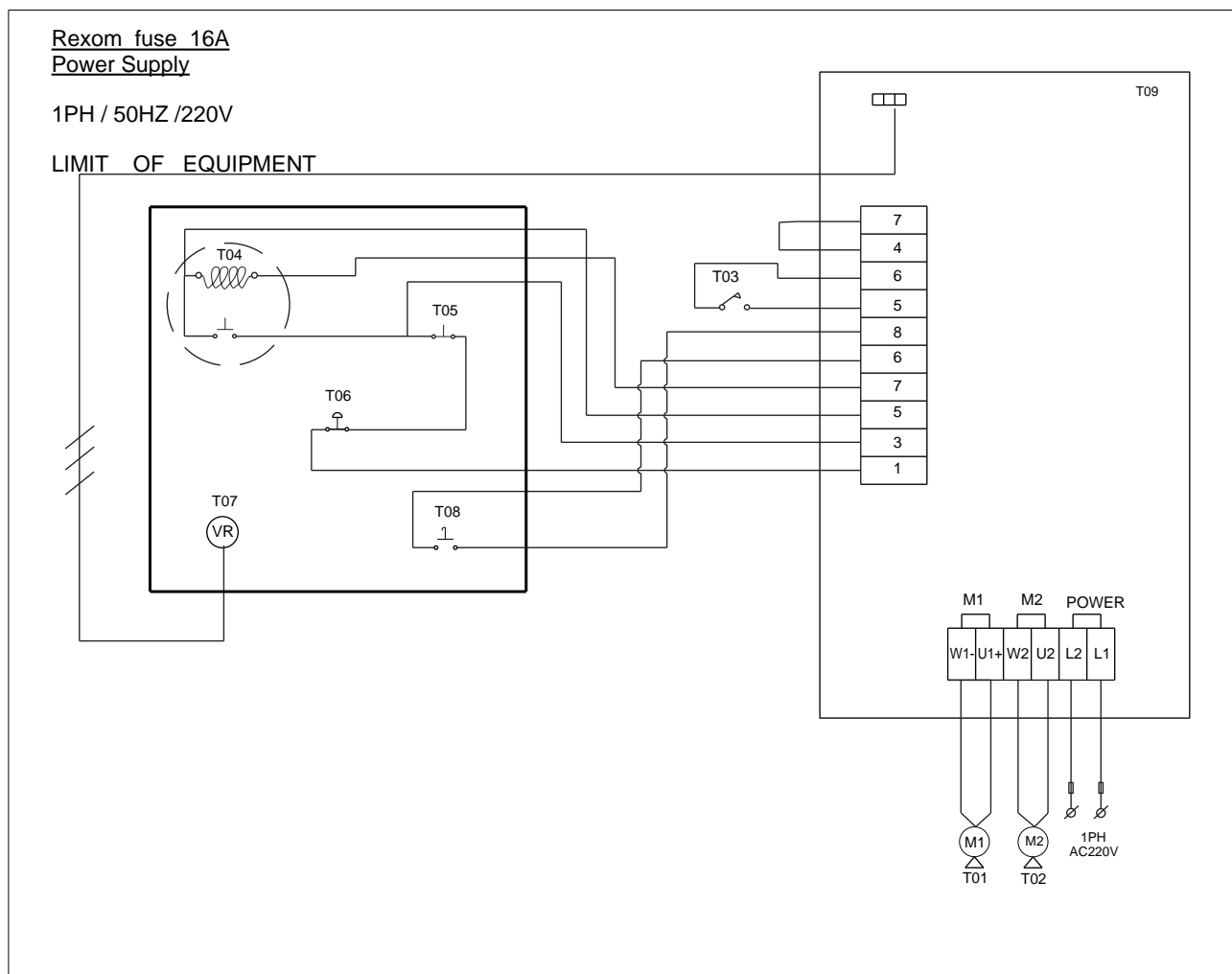
SX-815DV**Elektrische Stückliste / Liste de pièces électriques**

Prüfen Sie die Drehrichtung des Motors. Bei Sicht auf die Antriebswelle sollte die Drehrichtung nach links sein. Falls dies nicht der Fall ist, halten Sie die Maschine an und vertauschen Sie zwei der drei elektrischen Phasendrähte.

Vérifiez le sens de rotation du moteur. Vu sur l'arbre d'entraînement, le sens de rotation est à gauche. Dans le cas contraire, arrêtez la machine et intervertissez deux câbles de l'alimentation triphasée.

Kurzzeichen Référence	Artikel/Funktion Article/Fonction	Tech. Daten Données techn.	Anzahl Qté	Bemerkungen Remarques
T02	Not-Ausschalter Inter Poing	CIRO	1	CE
T03	Stoptaste Inter Stop	XB7-7A42 Teleniecanique	1	CE
T04	Starttaste Inter Start	XB7-EW3361 Teleniecanique	1	CE
T01	Relais / Relais	MS1	1	CE
T07	Drehzahlschalter Inter vitesses	GORGE	1	CE
T06	Bandmotor Moteur bande	GORGE	1	CE
T05	Endschalter Inter micro	CIRO	1	CE
PE	Erdung / Terre			

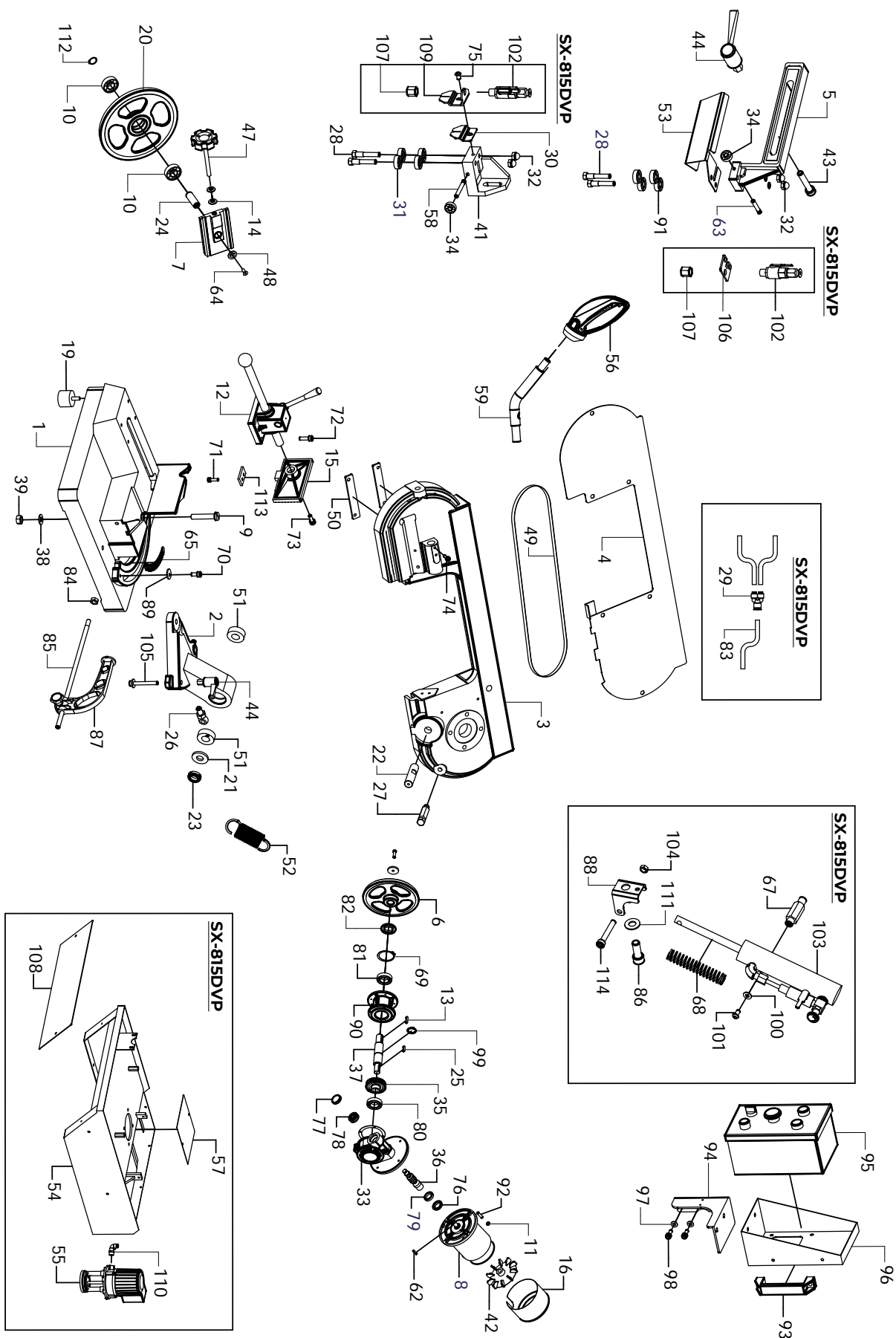
ELECTRICAL DIAGRAM / ELEKTRISCHE ANLAGE / SCHÉMA ÉLECTRIQUE

**Electrical**

<u>Part No</u>	<u>Name</u>	<u>Description</u>	<u>Producer</u>	<u>Mark</u>
<u>T01</u>	M1	SAW MOTOR	<u>GOROGÉ</u>	<u>CE</u>
<u>T02</u>	M2	PUMP MOTOR	GOROGÉ	<u>CE</u>
<u>T03</u>	<u>START</u>	<u>START MICRO</u>	<u>HAILY</u>	<u>CE</u>
<u>T04</u>	<u>ON</u>	<u>I SWITCH</u>	TEND	<u>CE</u>
<u>T05</u>	<u>OFF</u>	<u>O SWITCH</u>	TEND	<u>CE</u>
<u>T06</u>	<u>EMS</u>	<u>EMERGENCY STOP</u>	<u>DEMEX</u>	<u>CE</u>
<u>T07</u>	<u>VR</u>	<u>CONVERTER VR</u>	<u>GOROGÉ</u>	<u>CE</u>
<u>T08</u>	<u>COOL</u>	<u>PUMP SWITCH</u>	TEND	<u>CE</u>
<u>T09</u>	PCB	SX-815DVP	<u>GOROGÉ</u>	<u>CE</u>

EXPLOSION DRAWING / ERSATZTEILZEICHNUNG / VUE ÉCLATÉE

SX-815DV / SX-815DVP



PART LIST / ERSATZTEILLISTE / LISTE DES PIÈCES DÉTACHÉES

SX-815DV / SX-815DVP

1	PM-815001G	Tischplatte / Base / Base
2	PM-815002G	Drehsegement / Bras d'archet / Miter Plate
3	PM-815003	Sagearm / Archet / Saw Arm
4	PM-815004	Abdeckung / Couvercle / Cover
5	PM-815005	Flansch / Support guide lame / Blade Guide Adjustment Bar
6	PM-815006	Antriebsrad / Volant moteur / Drive wheel
7	PM-815007	Flansch / Flasque / Anchor Block
8	PM-815008VG	Motor / Moteur / Motor
9	PM-815009	Bolzen / Axe / Vise Swivel Rod
10	PM-815010	Kugellager / Roulement / Ball bearings 6203ZZ
11	PM-815011	Dichtung / Joint / Hex Nut M8
12	PM-815012	Schnellspannstock / Etoupe serrage rapide / Quick vise
13	PM-815013	Keil / Clavette / Wedge 6*6*25
14	PM-815014	Scheibe / Rondelle / Disc
15	PM-815015	Schraubstockbacke / Mors mobile / Vise jaw
16	PM-815016V	Lufterdeckel / Couvercle ventilateur / Motor Fan Cover
19	PM-815019	Gummifuss / Pied en caoutchouc / Rubber foot
20	PM-815020	Spannrad / Volant fou / Tensioning wheel
21	PM-815021	Scheibe / Rondelle / Disc
22	PM-815022	Welle / Axe / Axis
23	PM-815023	Mutter / Erou / Hex Nut
24	PM-815024	Welle / Axe / Shaft
25	PM-815025	Mutter / Erou / Key 5*5*20
26	PM-815026	Bolzen / Boulon / Spring Eye Bolt
27	PM-815027	Bolzen / Boulon / Spring Axis
28	PM-815028	Welle / Axe / Eccentric Guide
29	PM-815029	Verschraubung / Raccord / Coolant Block Fitting
31	855167	Kugellager / Roulement / Ball bearings 607ZZ
32	PM-815032	Mutter / Erou / Hex Nut
33	PM-815033G	Gehäuse / Carcasse reducteur Gear Box
	PM 815033K	Komplette Getriebeeinheit / Boîte engrenage complet / Gear Box Assembly (11, 13, 33, 35, 36, 37, 67, 68, 69, 76, 77, 78, 79, 80, 81, 82, 90, 92)
34	PM-815034	Kugellager / Roulement / Ball bearings 625ZZ
35	PM-815035	Zahnrad / Engrenage / Gear
36	PM-815036	Schneckenrad / Engrenage / In-Put Shaft
37	PM-815037	Welle / Axe / Out-Put Shaft
38	PM-815038	Scheibe / Rondelle / Washer
39	PM-815039	Mutter / Erou / Hex Nut
41	PM-815041	Flansch / Guide lame / Guide Bracket
42	PM-815042	Lufterflügel / Ventilateur / Motor Fan
43	PM-815043	Schraube / Vis / Screw M8*45
44	PM-815044	Spanngriff / Levier / Lock Handle
47	PM-815047	Spanngriff / Levier de tension / Blade Tension Adjustment Knob
48	PM-815048	Sicherungsring / Circlip / Cone Washer
50	PM-815050	Platte / Plaque / Fixed Block
51	PM-815051	Lager / Roulement / Ball Bearings 32004ZZ
52	PM-815052	Feder / Ressort Spring
53	PM-815053	Abdeckung / Protection / Blade Guard
54	PM-815054	Wanne / Table / Stand Top SX-815DVP
55	PM-815055	Kühlmittelpumpe / Pompe d'eau / Cooling pump SX-815DVP
57	PM-815057	Filater / Filter / Filter SX-815DVP
58	PM-815058	Welle / Axe / Axile
59N	PM-815059N	Hebel / Levier / Lever
	HS 201402A	Griff / Poignée + Hebel / Levier Trigger Switch + Pipe (56N+59N)
62	PM-815062	Keil / Clavette / Wedge 5*5*20
63	PM-815063	Stift / Goupille / Pin 5*31
64	PM-815064	Schraube / Vis / Screw M6
65	PM-815065	Skala / Reglette / Scale

PART LIST / ERSATZTEILLISTE / LISTE DES PIÈCES DÉTACHÉES

SX-815DV / SX-815DVP

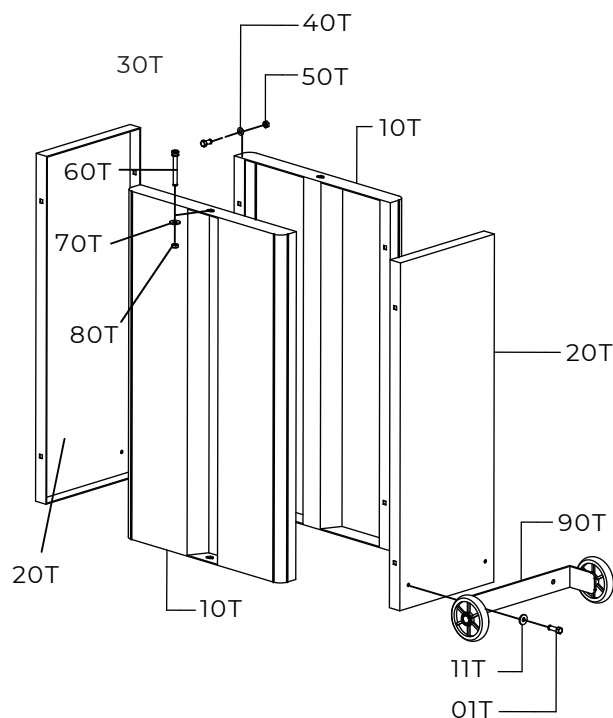
67	PM-815067	Schraube / Vis / Screw SX-815DVP
68	PM-815068	Scheibe / Rondelle / Disc SX-815DVP
69	PM-815069	Sicherungsring / Circlip / Retaining ring R-55
70	PM-815070	Schraube / Vis / Screw M8*12
71	PM-815071	Schraube / Vis / Screw M6*16
72	PM-815072	Schraube / Vis / Screw M8*25
73	PM-815073	Schraube / Vis / Screw M8*20
74	PM-815074	Schraube / Vis / Screw M6*12
75	PM-815075	Schraube / Vis / Screw M5*10
76	PM-815076	Simmerring / Joint / Oil ring 25*37*#7
77	PM-815077	Simmerring / Joint / Oil ring 35*#7
78	855200	Kugellager / Roulement / Ball bearings 6202ZZ
79	PM-815079	Kugellager / Roulement / Ball bearings 6805ZZ
80	PM-303204	Kugellager / Roulement / Ball bearings 6006ZZ
81	PM-303204	Kugellager / Roulement / Ball bearings 6006ZZ
82	PM-815082	Simmerring / Joint / Oil ring 30*55*#8
83	PM-815083	Schlauch / Tuyeau / Hose SX-815DVP
84	PM-815084	Mutter / Ecrou / Hex Nut M10
85	PM-815085	Stange / Barre / Rod
86	PM-815086	Flugelschraube / Vis de serrage / Flugelschraube SX-815DVP
87	PM-815087	Anschlage / Butee / Holder
88	PM-815088	Dichtung / Joint Bracket SX-815DVP
89	PM-815089	Einstellscheibe / Rondelle ajustable / Eccentric Washer
90	PM-815090	Flansch / Flasque / Gear Base
91	855167	Kugellager / Roulement / Ball bearings 607ZZ
92	PM-815092	Schraube / Vis / Screw M8*30
93	PM-815093	Griff / Poingee / Handle
94	PM-815094	Halter / Porte boite / Holder Bracket
95	PM-815095	Gehäuse / Boîte électrique / Operation Panel Box
96	PM-815096G	Abdeckung / Couvercle / Bracket
97	PM-815097	Scheibe / Rondelle / Washer
98	PM-815098	Schraube / Vis / Screw M8*45
99	PM-815099	Sicherungsring / Circlip / Retaining ring
100	PM-815100	Scheibe / Rondelle / Washer SX-815DVP
101	PM-815101	Schraube / Vis / Screw M6*16 SX-815DVP
102	PM-815102	Regulierhahn / Valve / Regulating valve SX-815DVP
103	PM-815103	Zylinder / Cylindre / Cylinder SX-815DVP
104	PM-815104	Mutter / Ecrou / Hex Nut M10 SX-815DVP
105	PM-815105	Scheibe / Rondelle / Bolt M8*55
106	PM-815106	Platte / Support / Plate SX-815DVP
107	PM-815107	Platte / Support / Bushing SX-815DVP
108	PM-815108	Platte / Support / Plate SX-815DVP
109	PM-815109	Platte / Support / Plate SX-815DVP
110	PM-815110	Verschraubung / Raccord / Valve Fitting SX-815DVP
111	PM-815111	Platte / Support / Washer SX-815DVP
112	PM-815112	Sicherungsring / Circlip / Retaining ring S-17
113	PM-815113	Platte / Support / Plate
114	PM-815114	Schraube / Vis / Screw M8*45

PART LIST / ERSATZTEILLISTE / LISTE DES PIÈCES DÉTACHÉES

SX-815DV / SX-815DVP**SX-815DV**

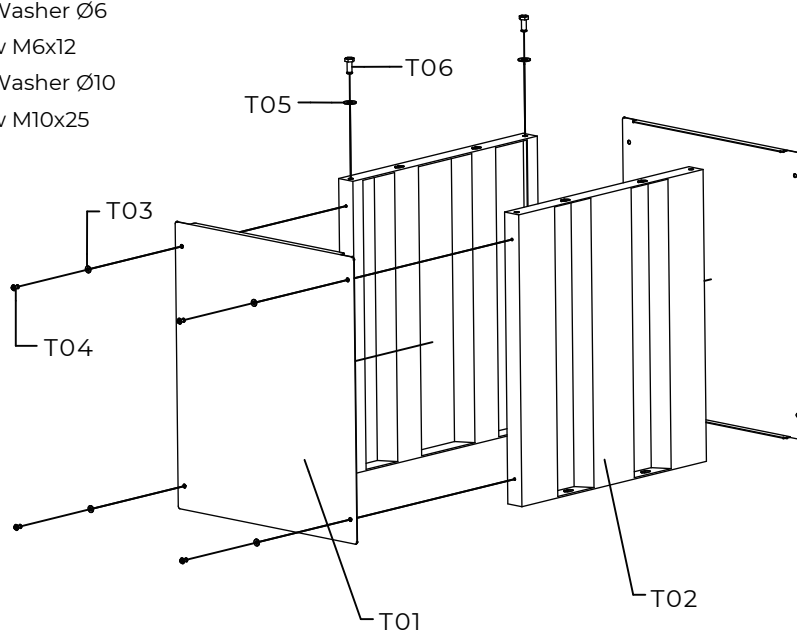
Maschinenstand / Socle machine

T01	PM-815201G	Blech (vorne+hinten) / Tole (front + arriere) / Sheet (Left + Right)
T02	PM-815202G	Blech links + rechts / Tôle (gauche + droite) / Sheet metal (Front + Rear)
T03	PM-815203	Schraube / Vis / Screw M8*20
T04	PM-815204	Scheibe / Rondelle / Washer
T05	PM-815205	Mutter / Ecrou / Hex Nut M8
T06	PM-815206	Bolzen / Boulon / Bolt M8*90
T07	PM-815207	Scheibe / Rondelle / Washer M8
T08	PM-815208	Mutter / Ecrou / Hex Nut M8
T09	PM-815209	Radsatz / Jeu roues / Wheel set
T10	PM-815210	Bolzen / Boulon / Bolt M8
T11	PM-815211	Scheibe / Rondelle / Washer M8

**SX-815DVP**

Maschinenstand / Socle machine

T01	PM-815301PG	Blech (vorne+hinten) / Tole (front+arriere) / Sheet (front+rear)
T02	PM-815302PG	Blech links+rechts / Tole (gauche+droite) / Sheet (left+right)
T03	PM-815303P	Scheibe / Rondelle / Washer Ø6
T04	PM-815304P	Schraube / Vis / Screw M6x12
T05	PM-815305P	Scheibe / Rondelle / Washer Ø10
T06	PM-815306P	Schraube / Vis / Screw M10x25





ENVIRONMENTAL PROTECTION

Protect the environment.

Your appliance contains valuable materials which can be recovered or recycled. Please leave it at a specialized institution.



This symbol indicates separate collection for electrical and electronic equipment required under the WEEE Directive (Directive 2012/19/EC) and is effective only within the European Union.

UMWELTSCHUTZ

Schützen Sie die Umwelt!

Ihr Gerät enthält mehrere unterschiedliche, wiederverwertbare Werkstoffe.

Bitte entsorgen Sie es nur an einer spezialisierten Entsorgungsstelle.



Dieses Symbol verweist auf die getrennte Sammlung von Elektro- und Elektronikgeräten, gemäß Forderung der WEEE-Richtlinie (2012/19/EU). Diese Richtlinie ist nur innerhalb der Europäischen Union wirksam.

PROTECTION DE L'ENVIRONNEMENT

Protégez l'environnement !

Votre appareil comprend plusieurs matières premières différentes et recyclables. Pour éliminer l'appareil usagé, veuillez l'apporter dans un centre spécialisé de recyclage des appareils électriques.



Ce symbole indique une collecte séparée des équipements électriques et électroniques conformément à la directive DEEE (2012/19/UE). Cette directive n'est efficace que dans l'Union européenne.



WARRANTY / GARANTIE

TOOL FRANCE guarantees that the supplied product(s) is/are free from material defects and manufacturing faults.

This warranty does not cover any defects which are caused, either directly or indirectly, by incorrect use, carelessness, damage due to accidents, repairs or inadequate maintenance or cleaning as well as normal wear and tear.

Further details on warranty (e.g. warranty period) can be found in the General Terms and Conditions (GTC) that are an integral part of the contract.

These GTC may be viewed on the website of your dealer or sent to you upon request.

TOOL FRANCE reserves the right to make changes to the product and accessories at any time.

TOOL FRANCE garantiert, dass das/die von ihr gelieferte/n Produkt/e frei von Material- und Herstellungsfehlern ist.

Diese Garantie deckt keinerlei Mängel, Schäden und Fehler ab, die - direkt oder indirekt - durch falsche oder nicht sachgemäße Verwendung, Fahrlässigkeit, Unfallschäden, Reparaturen oder unzureichende Wartungs- oder Reinigungsarbeiten sowie durch natürliche Abnutzung durch den Gebrauch verursacht werden.

Weitere Einzelheiten zur Garan können den allgemeinen Geschäftsbedingungen (AGB) entnommen werden.

Diese können Ihnen auf Wunsch per Post oder Mail zugesendet werden.

TOOL FRANCE behält sich das Recht vor, jederzeit Änderungen am Produkt und am Zubehör vorzunehmen.

TOOL FRANCE garantit que le/les produit(s) fourni(s) est/sont exempt(s) de défauts matériels et de défauts de fabrication.

Cette garantie ne couvre pas les défauts, dommages et défaillances causés, directement ou indirectement, par l'utilisation incorrecte ou inadéquate, la négligence, les dommages accidentels, la réparation, la maintenance ou le nettoyage incorrects et l'usure normale.

Vous pouvez trouver de plus amples détails sur la garantie dans les conditions générales (CG).

Les CG peuvent être envoyées sur demande par poste ou par e-mail.

TOOL FRANCE se réserve le droit d'effectuer des changements sur le produit et les accessoires à tout moment.

UK DECLARATION OF CONFORMITY

Edition March 2024

Product:
METAL BAND SAW

Model:
SX-815DV / SX-815DVP

Brand:
PROMAC

Manufacturer or authorized representative:

TOOL FRANCE

Unit 1a Stepnell Park

Off Lawford Road

Rugby

CV212UX

United Kingdom

We hereby declare that this product complies with the regulations:

SUPPLY OF MACHINERY (SAFETY) REGULATIONS 2008

ELECTROMAGNETIC COMPATIBILITY REGULATIONS 2016

Designed in consideration of the standards:

EN ISO 12100 :2010

EN ISO 13849-1 : 2015

EN ISO 16093 : 2017

EN 60204-1 : 2006/AC : 2010

EN61000-6-2 : 2005

EN61000-6-4:2007/A1:2011

Responsible for the documentation / Dokumentations-Verantwortung / Responsable de la documentation :



JÉRÔME GERMAIN

GENERAL MANAGER

DIRECTEUR GÉNÉRAL

N° de série / serial number :

At lisses / Hergestellt in / Fait à Lisses

Date :

CE-CONFORMITY DECLARATION CE-KONFORMITÄTSERKLÄRUNG DÉCLARATION DE CONFORMITÉ CE

Edition March 2024

Product/Produkt/Produit:

Metal Band Saw / Metallbandsäge / Scie à ruban

SX-815DV / SX-815DVP

Brand/Marke/Marque:

PROMAC

Manufacturer or authorized representative/Hersteller oder Bevollmächtigter/Fabricant ou son mandataire:

TOOL FRANCE

9 Rue des Pyrénées, 91090 LISSES, France

We hereby declare that this product complies with the regulations
Wir erklären hiermit, dass dieses Produkt der folgenden Richtlinie entspricht
Par la présente, nous déclarons que ce produit correspond aux directives suivantes

2006/42/EC

Machinery Directive / Maschinenrichtlinie / Directive Machines

2014/30/EU

electromagnetic compatibility / elektromagnetische Verträglichkeit / compatibilité électromagnétique

designed in consideration of the standards
und entsprechend folgender zusätzlicher Normen entwickelt wurde
et été développé dans le respect des normes complémentaires suivantes

EN ISO 12100 :2010

EN ISO 13849-1 : 2015

EN ISO 16093 : 2017

EN 60204-1 : 2006/AC : 2010

EN61000-6-2 : 2005

EN61000-6-4:2007/A1:2011

Original instruction manual / Original-Bedienungsanleitung / Notice d'instruction Originale
Responsible for the documentation / Dokumentations-Verantwortung / Responsable de la documentation :



JÉRÔME GERMAIN

GENERAL MANAGER

DIRECTEUR GÉNÉRAL

N° de série / serial number :

At lisses / Hergestellt in / Fait à Lisses

Date :

