

**SX-823DGSVI**

**SX-827DGSVI**

METAL BAND SAW  
METALLBANDSÄGE  
SCIE À RUBAN



[www.promac.fr](http://www.promac.fr)

**PROMAC**<sup>®</sup>

**CE UK  
CA**

## CONTENTS

### Chapter 1

#### ACCIDENT PREVENTION AND SAFETY REGULATION

1.1 Advice for the operator .....	2
1.2 The electrical equipment according to European Standard" CENELEC EN 60204-1" .....	2
1.3 Emergencies according to European Standard "CENELEC EN 60204-1" .....	2

### Chapter 2

#### MACHINE DIMENSIONS TRANSPORT INSTALLATION DISMANTLING

2.1 Machine dimensions .....	2
2.2 Assembling the control box to the saw .....	2
2.3 Machine Transportation .....	3
2.4 Minimum requirements for housing the machine .....	3
2.5 Anchoring the machine .....	3
2.6 Instructions for assembly of the loose parts and accessories .....	3
2.7 Deactivation of machine .....	3
2.8 Dismantling .....	3

### Chapter 3

#### THE MACHINE'S FUNCTIONAL PARTS

3.1 The saw arm .....	3
3.2 Control panel .....	4
3.3 Vise adjustment .....	4
3.4 Cutting angle adjustment .....	5
3.5 The base .....	5
3.6 The operation cycle .....	5

### Chapter 4

#### ADVICE ON USING YOUR BANDSAW

4.1 Recommendations and advice for using the machine .....	6
--	---

### Chapter 5

#### ADJUSTING YOUR MACHINE

5.1 Blade tension assembly .....	7
5.2 Adjusting the blade guide .....	7
5.3 Saw frame return stroke-limiting device .....	8
5.4 Changing the blade .....	8
5.5 Adjusting the blade to the flywheels .....	8
5.6 Replacing saw frame return spring .....	9

### Chapter 6

#### ROUTINE AND SPECIAL MAINTENANCE

6.1 Daily maintenance .....	9
6.2 Weekly maintenance .....	9
6.3 Monthly maintenance .....	9
6.4 Six-monthly maintenance .....	9
6.5 Maintenance of other machine parts .....	9
6.6 Oils for lubricating coolant.....	9
6.7 Oil disposal .....	9
6.8 Coolant system .....	9
6.9 The gear box .....	9
6.10 Special maintenance.....	9

### Chapter 7

#### TECHNICAL CHARACTERISTICS

7.1 Table of cutting capacity and technical details .....	10
---	----

### Chapter 8

#### MATERIAL CLASSIFICATION AND CHOICE OF TOOL

8.1 Definition of materials .....	10
8.2 Selecting blade .....	10
8.3 Teeth pitch.....	11
8.4 Cutting and advance speed .....	11
8.5 Blade running-in .....	11
8.6 Blade structure .....	11
8.7 Blade type .....	11

### Chapter 9

#### NOISE TESTS .....

### Chapter 10

#### WIRING DIAGRAM .....

### Chapter 11

#### TROUBLESHOOTING

11.1 Blade and cut diagnosis .....	15
------------------------------------	----

### Chapter 12

#### MACHINE COMPONENTS

12.1 Parts list .....	19
12.2 Explosion drawings .....	22

## 1 ACCIDENT PREVENTION AND SAFETY REGULATION

This machine has been designed to comply with national and community accident-prevention regulations. Improper use and/or tampering with the safety devices will relieve the manufacturer of all responsibility.

### 1.1 Advice for the operator

- Check that the voltage indicated on machine motor is the same as the line voltage.
- Check the efficiency of your electric supply and grounding system; connect the power cable of the machine to the socket and the ground lead (yellow-green in color) to the grounding system.
- When the saw frame is in suspended mode (or raised) the blade must not move.
- Only the blade section used for cutting must be kept unprotected. To remove guards operate on the adjustable head.
- It is forbidden to use the machine without its shields
- Always disconnect the machine from the power socket before blade change or carrying out any maintenance job, even in the case of abnormal machine operation.
- Always wear suitable eye protection.
- Never put your hands or arms into the cutting area while the machine is operating.
- Do not shift the machine while it is cutting.
- Do not wear loose clothing like: shirts with sleeves that are too long, gloves that are too big, bracelets, chains or any other object that could get caught in the machine during operation. Tie back long hair.
- Keep the area free of equipment, tools, or any other object.
- Perform only one operation at a time. Never have several objects in your hands at the same time. Keep your hands as clean as possible.
- All internal operations, maintenance or repairs, must be performed in a well-lit area or where there is sufficient light from extra sources so as to avoid the risk of even slight accidents

### 1.2 The electrical equipment according to European Standard" CENELEC EN 60204-1"

- The electrical equipment ensures protection against electric shock as a result of direct or indirect contact. The active parts of this equipment are housed in a box to which access is limited by screws that can only be removed with a special tool; the parts are fed with alternating current as low voltage (24V). The equipment is protected against splashes of water and dust.
- Protection of the system against short circuits is ensured by means of rapid fuses and grounding; in the event of a motor overload, protection is provided by a thermal probe.
- In the event of a power cut, the specific start-up button must be reset.
- The machine has been tested in conformity with point 20 of EN 60204

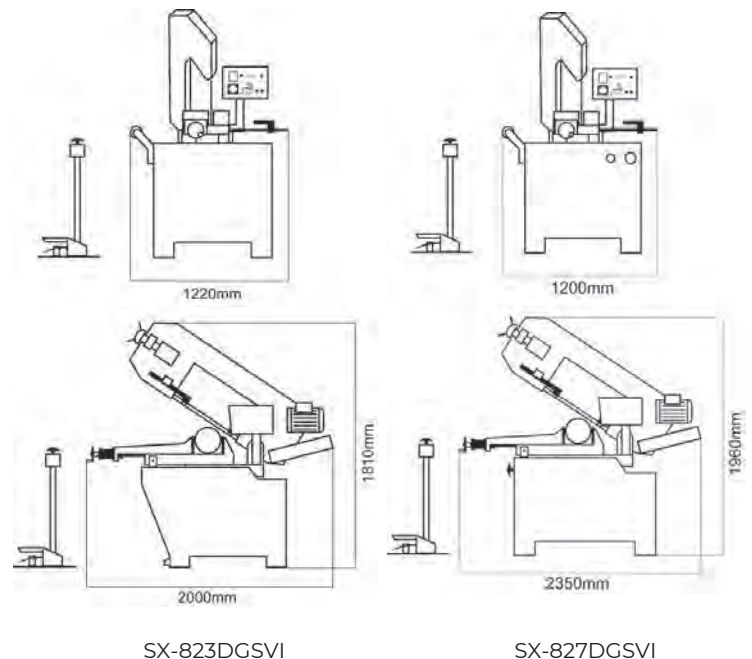
### 1.3 Emergencies according to European Standard "CENELEC EN 60204-1"

- In the event of incorrect operation or of danger conditions, the machine may be stopped immediately by pressing the red mushroom button.
- The casual or voluntary removal of the blade cover of the flywheels causes the stepping-in of a interlock switch that automatically stops all machine functions.
- In case blade breakage, the tension release micro switch disconnects all machine functions.

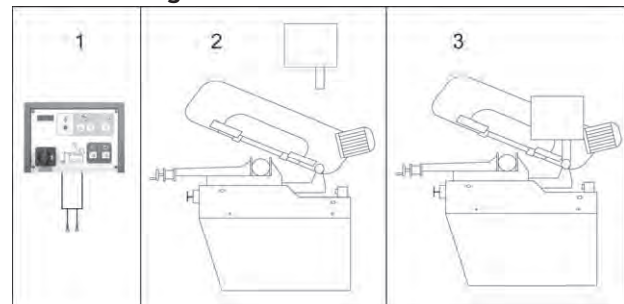
NOTE: Resetting of machine operation after each emergency stop requires specific restart button.

## 2 MACHINE DIMENSIONS TRANSPORT INSTALLATION DISMANTLING

### 2.1 Machine dimensions



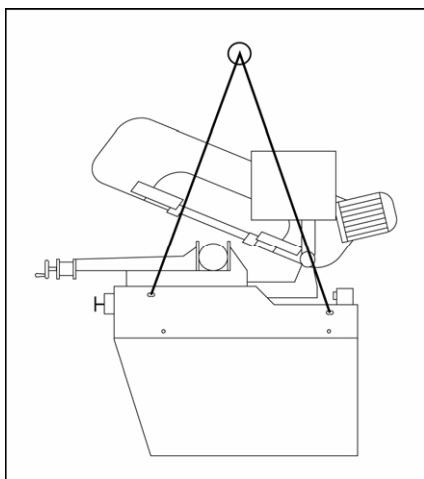
### 2.2 Assembling the control box to the saw



- Attach the control box to the saw with two provided set screws.

### 2.3 Machine Transportation

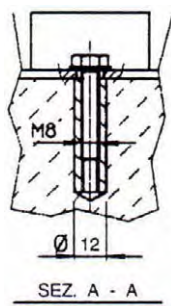
To move the machine, use a forklift truck or sling it with straps as illustrated.



### 2.4 Minimum requirements for housing the machine

- Main voltage and frequency must comply with the machine's motor requirements.
- Environment temperature should fall within  $-10\text{ }^{\circ}\text{C}$  to  $+50\text{ }^{\circ}\text{C}$ .
- Relative humidity cannot be over 90%.

### 2.5 Anchoring the machine



Position the machine on a firm cement floor, maintaining, at the rear, a minimum distance of 800 mm from the wall; anchor it to the ground as shown in the diagram, using screws and expansion plugs or tie rods sunk in cement, ensuring that it is sitting level.

### 2.6 Instructions for assembly of the loose parts and accessories

Fit the components supplied:

Detail 1 Mount bar-stop rod

Detail 2 Mount and align the roll-supporting arm as per the counter-vice table.

### 2.7 Deactivation of machine

- If the sawing machine is to be out of use for a long period, it is advisable to proceed as follows:

- 1) Detach the plug from the electric supply panel
- 2) Loosen blade
- 3) Release the saw arm return spring
- 4) Empty the coolant tank
- 5) Carefully clean and grease the machine
- 6) If necessary, cover the machine.

### 2.8 Dismantling (due to deterioration and/or obsolescence)

#### General rules

If the machine is to be permanently demolished and/or scrapped, divide the material to be disposed of according to type and composition, as follows:

- 1) Cast iron or ferrous materials, composed of metal alone, are secondary raw materials, so they may be taken to an iron foundry for re-smelting after having removed the contents (classified in point 3).
- 2) Electrical components, including the cable and electronic material (magnetic cards, etc.), fall within the category of material classified as being assimilated to urban waste according to the laws of your local, state, or federal government, so they may be set aside for collection by the public waste disposal service;
- 3) Old mineral and synthetic and/or mixed oils, emulsified oils and greases are considered hazardous or special refuse, so they must be collected, transported and disposed of at a special waste disposal service.

NOTE: The standards and legislation concerning refuse is in a constant state of evolution, therefore is subject to changes. The user must keep informed of the regulations at the time of disposal as these may differ from those described above.

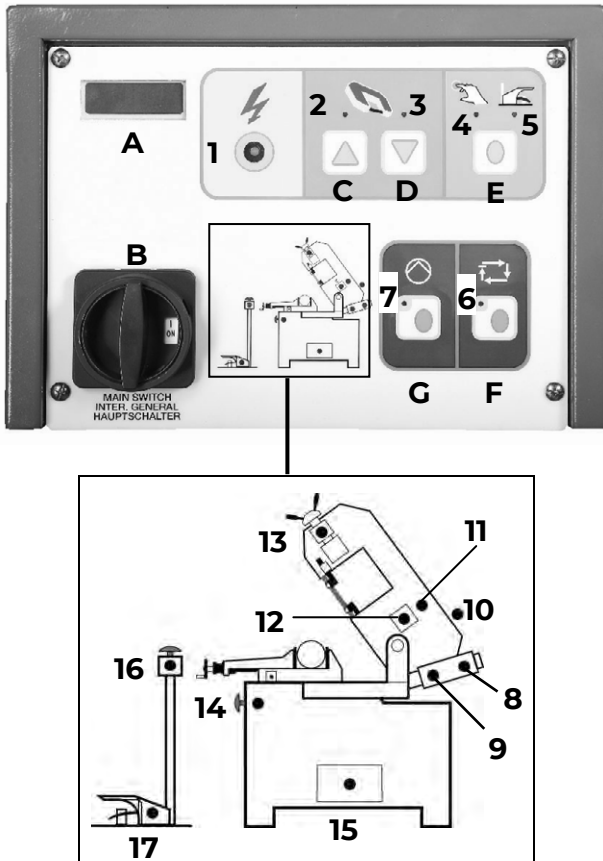
## 3 THE MACHINE'S FUNCTIONAL PARTS

### 3.1 The saw arm

Machine parts consisting of drive members (gear motor or variable speed motor, flywheels), tension and guides (blade guide slide, blade guide blocks) of blade.



3.2 Control Panel



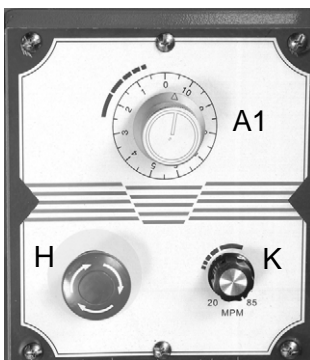
1~17 Indicator lights

Red- Warning indicator  
 Yellow- Selection indicator  
 Green- Operation indicator

1. Power supply ON, indicator lights
2. Saw bow up, indicator light
3. Saw bow down, indicator light
4. Hand operation, indicator light
5. Foot pedal operation, indicator light
6. Cycle start switch indicator light
7. Start switch (hydraulic flow control), indicator light
8. Saw bow maximum height, indicator light
9. Saw bow lowest height, indicator light
10. Open blade cover, warning indicator light
11. Improper speed selection, warning indicator light
12. Motor overload, warning indicator light
13. Broken blade, warning indicator light
14. Emergency button indicator light
15. Hydraulic motor overload, warning indicator light
16. Foot pad's emergency button indicator light
17. Foot pad, operation indicator light

A~K Control Switches

- A. Blade speed display
- A1. Bow down flow regulator
- B. Main connect switch
- C. Saw bow up switch
- D. Saw bow down switch
- E. Hand/foot pedal operation selector
- F. Cycle start switch
- G. Hydraulic Start switch
- H. Emergency button
- I. Footpad emergency button
- J. Footpad switch
- K. Blade speed adjusting knob

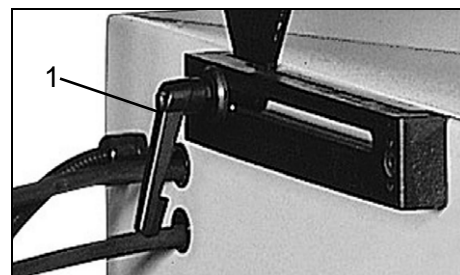
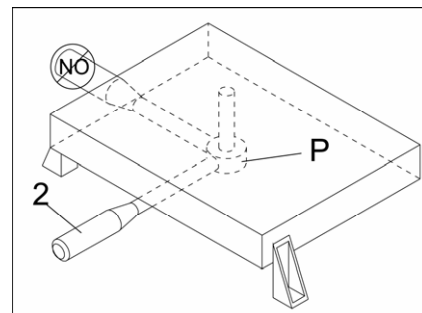


3.3 Vise adjustment

Clamping the Work Piece

- Place work piece between the jaws.
- Use the hand wheel to close the vise jaw. For multiple cuts of a same size material, leave a small gap between the work piece and vise jaw. Push cycle start button (F). The vise will automatically clamp the work piece while going through the operation cycle. When the operation cycle is finished, the vise will open and the work piece can be adjusted or replaced.

Operation of the Vise



When cutting angles, it may require the adjustment of the vise jaw's position so that the saw blade's path is not impeded. Follow the procedures below.

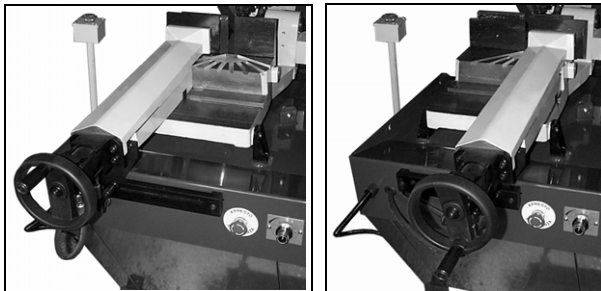
- Release the track support by turning handle (1) counter-clockwise.
- Release the vise by moving the lever (2) to the left.
- The vise may now be moved to right position or left position by pushing with one hand on the adjustable vise jaw and the other hand on the track handle (1).
- Once in position, move the lever (2) to the right to lock it into position. If the lever (2) is not between the vise/bed mounts and facing the user, then the vise will not be able to lock. If the vise lever (2) has gone beyond or is obstructed by a vise/bed mount, then use the following procedures.
- Adjust the lever (2) by grasping at the pivot point (P) and lowering it, which may assist in the adjustment. The lever can now be freely rotated into a more convenient position. Some movement of the vise jaw may be required. Raise the lever (2) then move to the right to lock.
- Lock the track support (1) by turning handle clockwise.



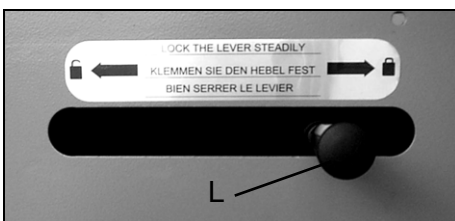
SX-823DGSVI



SX-827DGSVI



### 3.4 Cutting angle adjustment

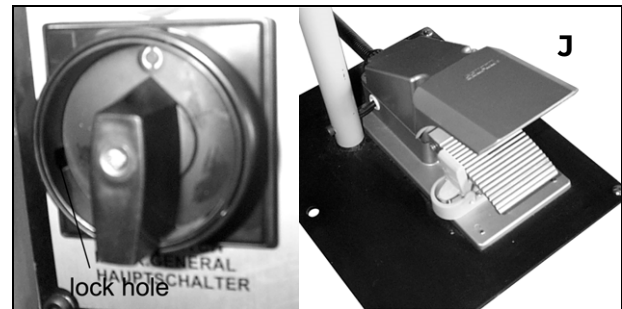


Cutting at angles

- Angle can be cut up to 60°
- Unlock lever (L) by pushing it to the left side.
- Rotate the saw arm to the desired angle by following the index on the scale.
- Lock lever (L) by pushing to the right side.

### 3.5 The base

- A structure supporting the SAW ARM (revolving arm for gradual cutting and respective blocking system), the VISE, the BAR STOP, the ROLLER for the support of the material. The base houses the cooling liquid TANK, PUMP, and the DEVICE CONTROLLING THE AUTOMATIC HYDRAULIC LOWERING AND RISING OF THE SAW FRAME.



The main connect switch is designed with a lock hole. A lock can be attached to the lock hole to prevent machine operation for safety and security purposes.

- To use the footpad switch (J), first use the side of the foot to push aside the plastic clip that blocks the foot pad. Be careful not to damage the clip by using excessive force or stomping on the footpad. Next, step down on the footpad to start operation.

### 3.6 The operation cycle

- Make sure the voltage indicated on machine motor is the same as power source voltage. Connect the machine to the power source, and Press the main connect switch (B). If power indicator light

(1) is on, it means the voltages are okay.

\*Note: While selecting the cutting speed indicator light will blink.

- Press hydraulic flow control start switch (G). \*Note: If the hydraulic flow control fails to activate, then switch (C), (D), and (F) cannot operate. Indicator light (7) will blink if any are pressed, indicating that start switch (G) has failed to activate.
- Check the hydraulic oil level. If oil rises up, it means the motor is running in the right direction. If not, rewire the plug.
- Check that the saw arm is properly set. Press saw bow switches (C) or (D) to adjust the bow height to help when setting the workpiece.
- Place the workpiece in the vise and clamp securely.
- Select the speed using speed selector switch (K).
- Be sure to stand in a safe location while operating. There are two ways to start the machine. Press the switch (C) to let the saw bow return to the

highest position and then using the first method, select hand operation on selector (E) and press cycle start switch (F) to start operation. Using the second method, Select footpad operation on selector (E) and step on start footpad (J) to start operation.

- In general, start cuts by slightly turning hydraulic flow regulation switch (A1) counter-clockwise from 2 to 3 to control the saw arm descent rate. If the arm descends too quickly, turn hydraulic flow regulation switch (A1) clockwise all the way back to stop its descent - When cutting different material use the hydraulic flow regulation switch (A1) to control saw arm's rate of descent.

\*Note: A saw arm dropping too quickly can cause the blade to stall on the work piece and the machine will shut off. If so, push down on either emergency push buttons (H or I) to immediately stop all machine functions.

-During the operation cycle, the hydraulic vise will automatically close on the work piece for a distance up to 8mm. The hydraulic vise will then open maximum 8mm on end of operation. Now it is ready for the next operation. Therefore, it is not necessary to manually lock down the vise jaws on the work piece for every operation. Allowing a gap of 4-5mm between jaws and the work piece will suffice.

-The saw bow will return to the bow's maximum height upon completion of operation.

- In case of Emergency or problem during the operation cycle, press the emergency push button (H or I) down to shut off all functions.

- To release the emergency push button (H or I), rotate the mushroom shaped button clock-wise. The button will pop up and then the cutting cycle can be restarted.

- The hydraulic start switch (G) will automatically shut-off after 5 minutes of non-operation.

\*Note: If the hydraulic start switch fails to activate, then switch (C), (D), and (F) cannot operate. Indicator light (7) will blink if any are pressed, indicating that hydraulic start switch (G) has failed to activate.

-If the hand operation is selected and the footpad is used, then the hand operation indicator light (4) will blink. And vice versa, If the footpad operation is selected and the hand switches are used, then the foot operation indicator light (5) will blink. They indicate improper selection.

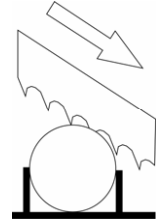
-The appropriate indicator light will blink to indicate which part of the machine has gone out of order.

1. Indicator light 14 indicates the emergency button is pressed. Indicator light 16 indicates the emergency button on foot pad is pressed.
2. Indicator light 13 indicates the band saw blade has broken.
3. Indicator light 10 indicates the blade cover is open.
4. Indicator light 12 indicates the motor has overloaded.

5. Indicator light 15 indicates the hydraulic motor has overloaded.
6. Indicator light 11 indicates the speed is not properly selected.

- If the saw bow up/down switches are out of order then indicator lights 2 and 3 will blink at the same time.

**BLADE CUTTING DIRECTION**

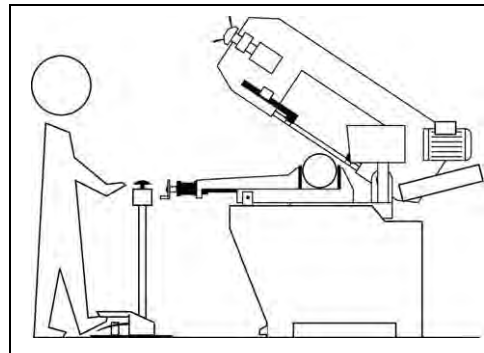


#### 4 ADVICE ON USING YOUR BANDSAW

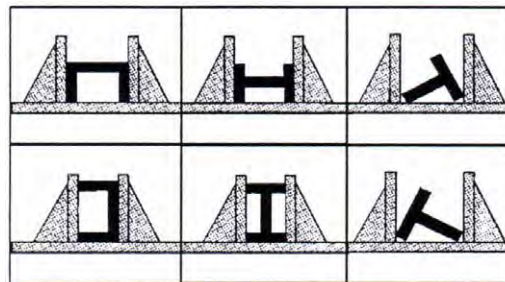
##### 4.1 Recommendations and advice for using the machine

The machine has been designed to cut metal building materials, with different shapes and profiles, used in workshops, turner's shops and general mechanical structural work.

Only one operator is needed to use the machine, that must stand as shown in the picture.



- Before starting each cutting operation, ensure that the part is firmly clamped in the vise and that the end is suitably supported.
- These figures below show examples of suitable clamping of different section bars, bearing in mind the cutting capacities of the machine in order to achieve a good efficiency and blade durability.



- Do not use blades of a different size from those stated in the machine specifications.

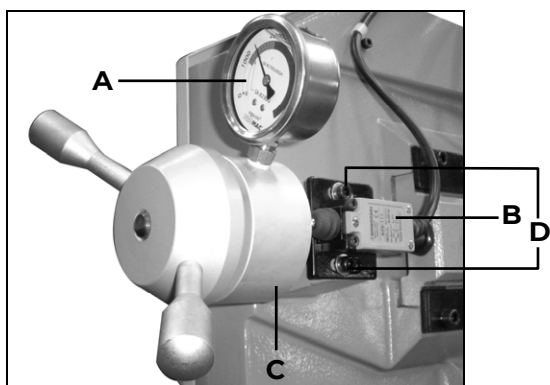
- If the blade gets stuck in the cut, press the cycle start switch or emergency button to switch off the machine. Open the vise slowly, remove the part and check that the blade or its teeth are not broken. If they are broken, change the blade.
- Check saw frame return spring to ensure proper balancing.
- Before carrying out any repairs on the machine, consult the dealer.

## 5 ADJUSTING YOUR MACHINE

### 5.1 Blade tension assembly

The ideal tension of the blade is achieved rotating the hand wheel until the needle reaches the proper blade tension on the tension gauge (A).

The machine will not operate if the micro switch does not actuate by contacting the tension device (C).

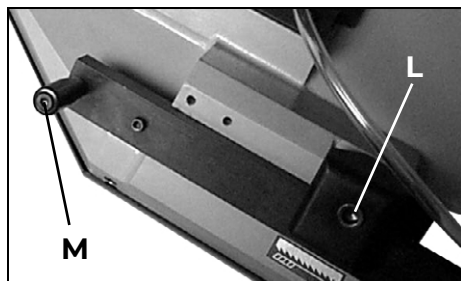


If the tension is set properly, but the micro switch (B) does not contact or trigger properly, make this adjustment.

- Loosen the setscrews (D).
- Push the micro switch (B) towards the tension device (C). Make sure that the plunger is pressed properly.
- Tighten down the setscrews (D) to secure the micro switch (B) in place.

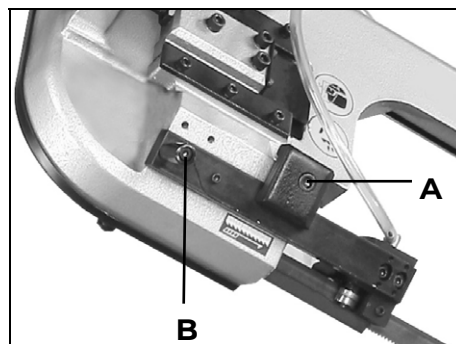
### 5.2 Adjusting the blade guide

SX-827DGSVI



- Disconnect the machine from the power source.
- Loosen hex screw (L) on the guide bar clamp.
- Hold the handle (M) and slide blade guide bar so that the blade guide is as close as possible to the material without interfering with the cut.
- Tighten hex screw (L).
- Reconnect the machine to power source.

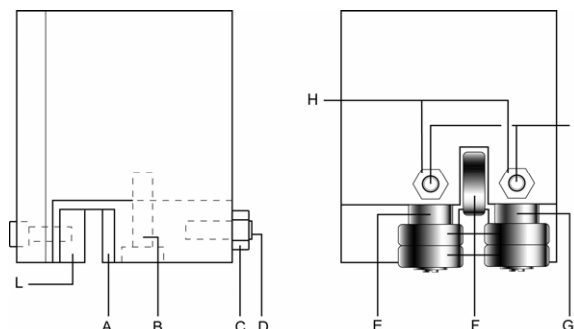
SX-823DGSVI



- Disconnect the machine from the power source.
- Use a Hex. Wrench to loosen Hex. Socket screw (A) on the square lock plate.
- Hold the handle (B) and slide blade guide block as close as possible to the material without interfering with the cut
- Tighten the hex. socket screw (A).
- Reconnect the machine to power source.

### Blade guide blocks

The blade is guided by means of adjustable pads set in place during inspection as per the thickness of the blade with minimum play as shown.



When replacing the blade use a 0.9mm thick blade for which the blade guides have been pre-set. For blades of another thickness, the adjustment should be carried out as follows:

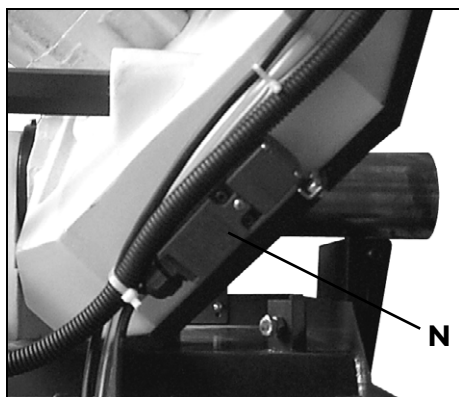
Loosen nut (C), screw (B) and loosen dowel (D)

- widening the passage between the pads. Loosen the nuts (H) and the dowels (I) and rotate the pins (E - G) to widen the passage between the bearings (F).
- To mount the new blade: place the pad (A) on the blade, loosening the dowel, allow a play of 0.04 mm for the sliding of the toothed blade, lock the relative nut and screw (B), Rotate the pins (E - G) until the bearings rest against the blade as indicated in the figure and then secure the dowels (I) and nut (H).
- Make sure that between the blade and the upper teeth of the pad (L) this is at least 0.2 - 0.3 mm of play; if necessary, loosen the screws that fasten the blocks and adjust accordingly.



**BEFORE PERFORMING THE FOLLOWING OPERATIONS, THE ELECTRIC POWER SUPPLY AND THE POWER CABLE MUST BE COMPLETELY DISCONNECTED.**

### 5.3 Changing the blade



To change the blade:

- Lift the saw arm.
- Loosen the blade with the blade tension hand wheel, remove the blade-guards, open the blade box cover and remove the old blade from the blade wheels and the blade guide blocks.
- Place the new blade in between the blade guide pads and on the race of the blade wheels. Check the cutting direction of the teeth.
- Tension the blade. Check that it is seated properly on the flywheels.
- Replace and fasten the blade guards and the flywheel guard. Check the safety **interlock switch** **(N)** is activated otherwise the machine will not start.

#### **WARNING:**

Always use blades with the same thickness as specified by this manual to match the blade guide's factory setting; otherwise, see chapter

#### 5.4 Saw frame return stroke-limiting device

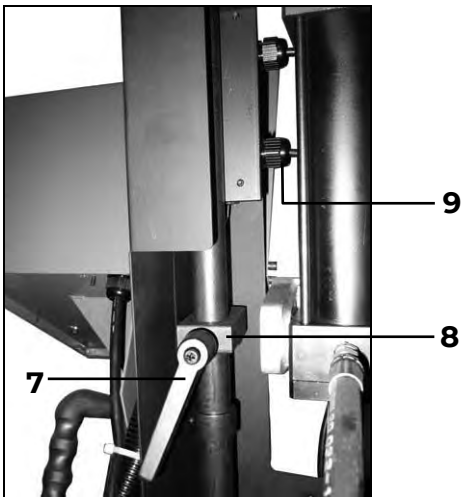
It consists in a mechanical adjustment system, mounted parallel to the saw frame rise cylinder, to reduce the passive phases of the operating cycle. In other words it eliminates the idle stroke that takes place when the size of the part to be cut is much smaller than the maximum cutting capacity. Practically, you adjust the starting position of the blade in proximity of the part, independently of its dimensions.

Operate as follows:

- Slightly open the flow regulation valve (A1).
- Bring the blade as near as 10mm from the work piece with the bow up/bow down switches (C and D).
- Loosen handle (7) to release the adjustable stop (8) against the limit switch (9).
- Lock the handle (7)

ATTENTION:

- It is not necessary to adjust the mechanical stop (8) every time; bring the blade near the workpiece by means of bow switch (D) and then start the automatic cutting cycle (F), which will begin operation from this position of the blade.
- The bow will return to the upper end stroke.

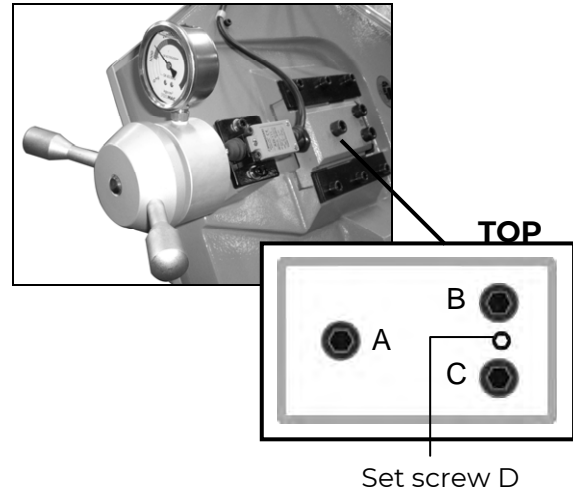


#### 5.5 Changing the blade

To change the blade:

- Lift the saw arm.
- Loosen the blade with the hand wheel, remove the mobile blade-guard cover, open the flywheel guards and remove the old blade from the flywheels and the blade guide blocks.
- Assemble the new blade by placing it first between the pads and then on the race of the flywheels, paying particular attention to the cutting direction of the teeth.
- Tension the blade and make sure it perfectly fits inside the seat of the flywheels.
- Assemble the mobile blade-guide end, the flywheel guard, and fasten it with the relative knobs. Check that the safety micro switch is activated otherwise when electric connection will be restored the machine will not start.

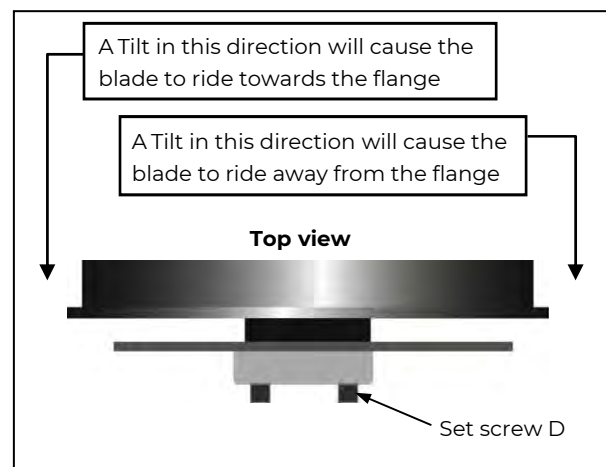
#### 5.6 Adjusting the blade to the flywheels



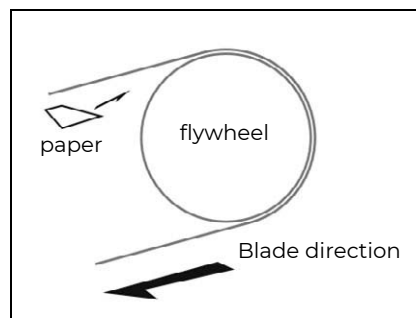
1. Loosen the hex nut screws A, B, and C.
2. Use an Allen wrench on set screw D to adjust the tilt of the flywheel.

- Turning the setscrew D clockwise will tilt flywheel so that the blade will ride closer to the flange.
- Turning the setscrew D counter-clockwise will tilt the flywheels that the blade will ride away from the flange. If the blade rides away too far then it will come off.

After the adjustment is finished, fasten the hex nut screws in this order: A, B, and C.



#### Checking the adjustment of the blade



Use a strip of scrap paper and slide it between the blade and the flywheel while it is running.

-if the paper is cut then the blade is riding too close to the flange. Re-adjust.

-if you notice that the blade is riding away from the flange. Then re-adjust.

**WARNING:** Always assemble blades having dimensions specified in this manual and for which the blade guide heads have been set; otherwise, see chapter on "Description of the operating cycle" in the section Starting-up.

### 5.7 Replacing saw frame return spring

- When performing this operation it is necessary to support saw arm using the lifting device.  
Replace the spring by loosening the upper coupling rod and releasing it from the lower tie-rod.

## 6 ROUTINE AND SPECIAL MAINTENANCE

THE MAINTENANCE JOBS ARE LISTED BELOW, DIVIDED INTO DAILY, WEEKLY, MONTHLY AND SIX-MONTHLY INTERVALS. IF THE FOLLOWING OPERATIONS ARE NEGLECTED, THE RESULT WILL BE PREMATURE WEAR OF THE MACHINE AND POOR PERFORMANCE.

### 6.1 Daily maintenance

- General cleaning of the machine to remove accumulated shavings.
- Clean the lubricating coolant drain hole to avoid excess fluid.
- Top off the level of lubricating coolant.
- Check blade for wear.
- Rise of saw frame to top position and partial slackening of the blade to avoid useless yield stress.
- Check functionality of the shields and emergency stops.

### 6.2 Weekly maintenance

- Thorough cleaning of the machine to remove shavings, especially from the lubricant fluid tank.
- Removal of pump from its housing, cleaning of the suction filter and suction zone.
- Clean the filter of the pump suction head and the suction area.
- Use compressed air to clean the blade guides (guide bearings and drain hole of the lubricating cooling).
- Cleaning flywheel housings and blade sliding surfaces on flywheels.

### 6.3 Monthly maintenance

- Check the tightening of the motor flywheel screws.
- Check that the blade guide bearings on the heads are perfect running condition.
- Check the tightening of the screws of the gear motor, pump, and accident protection guarding.

### 6.4 Six-monthly maintenance

- Continuity test of the equipment potential protection circuit.

### 6.5 Maintenance of other machine parts

The worm drive gearbox mounted on the machine is maintenance-free guaranteed by its manufacture.

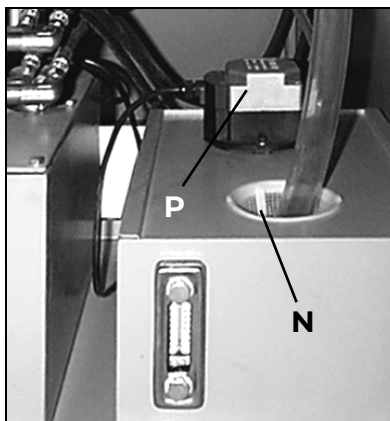
### 6.6 Oils for lubricating coolant

Considering the vast range of products on the market, the user can choose the one most suited to their own requirements, using as reference the type SHELL LUTEM OIL ECO. THE MINIMUM PERCENTAGE OF OIL DILUTED IN WATER IS 8 - 10 %.

### 6.7 Oil disposal

The disposal of these products is controlled by strict regulations. Please see the Chapter on "**Machine dimensions Transport - Installation**" in the section on *Dismantling*.

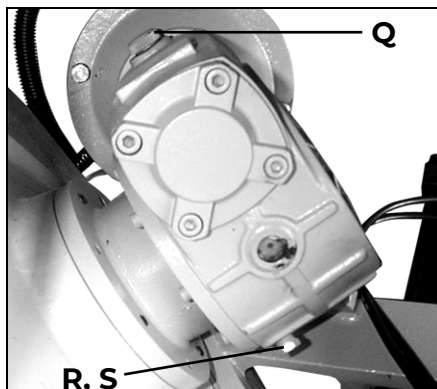
### 6.8 Coolant system



#### Cleaning the tank

- Use hex wrench to open the drain plug to allow the coolant to drain out.
- Remove the hose and filter (N).
- Remove the pump (P) by loosening the 2 set screws.
- Use a vacuum cleaner to vacuum chips and debris from the tank.
- Replace the drain plug. Thoroughly clean the pump (P) and replace.
- Fill tank with coolant to a level about 25mm below the filter.
- Replace the hose and filter.

## 6.9 The gearbox



The gear box requires periodic changing of oil.  
The oil must be changed by the first 6 months of a new machine and every year thereafter.

To change the gear box oil

- Disconnect the machine from the power source.
- Raise the saw arm to vertical position
- Release the drain hold (R) to draw off gear oil by loosening the hex socket screw (S).
- Replace the screw (S) after oil completely flows off.
- Place the saw arm back to horizontal position.
- Fill Gear box with approximately .3 liter of gear oil through the hole of the vent screw (Q)

For reference, use SHELL type gear oil or Mobile gear oil #90.




## 6.10 Special maintenance

Special maintenance must be conducted by skilled personnel. We advise contacting your nearest dealer and/or importer. Also the reset of protective and safety equipment and devices (of the reducer), the motor, the motor pump, and other electrical components requires special maintenance.

## 7 TECHNICAL CHARACTERISTICS




### 7.1 Table of cutting capacity and technical details

SX-823DGSVI

CUTTING CAPACITY			
90°	220	215	105 x 260
45°	150	145	70 x 155
60°	90	85	85 x 90
45° (L)	135	110	45 x 160

Blade rotation	1.1kW
Blade dimensions	27x0,9x2460mm
Blade speed cutting	20~85 m/min
Weight	380 kg

## SX-827DGSVI

CUTTING CAPACITY			
0°	260	260	250 x 350
45° (R)	230	165	110 x 240
60° (R)	150	90	90 x 150
45° (L)	200	170	60 x 260

Electric motor-blade rotation	1.5kW
Flywheel diameter	380mm
Blade dimensions	27x0,9x3160mm
Blade speed cutting	20~85 m/min
Opening vice	355mm
Saw frame tilting	40°
Working table height	860mm
Weight	460 kg

USE	TYPES OF STEEL					CHARACTERISTICS		
	I UNI	D DIN	F AF NOR	GB SB	USA AISI-SAE	Hardness BRINELL HB	Hardness ROCKWELL HRB	R=N/mm <sup>2</sup>
Construction steels	Fe360 Fe430 Fe510	St37 St44 St52	E24 E28 E36	--- 43 50	---	116 148 180	67 80 88	360÷480 430÷560 510÷660
Carbon steels	C20 C40 C50 C60	CK20 CK40 CK50 CK60	XC20 XC42H1 --- XC55	060 A 20 060 A 40 --- 060 A 62	1020 1040 1050 1060	198 198 202 202	93 93 94 94	540÷690 700÷840 760÷900 830÷980
Spring steels	50CrV4 60SiCr8	50CrV4 60SiCr7	50CV4 ---	735 A 50 ---	6150 9262	207 224	95 98	1140÷1330 1220÷1400
Alloyed steels for hardening and tempering and for nitriding	35CrMo4 39NiCrMo4 41CrAlMo7	34CrMo4 36CrNiMo4 41CrAlMo7	35CD4 39NCD4 40CADG12	708 A 37 --- 905 M 39	4135 9840 ---	220 228 232	98 99 100	780÷930 880÷1080 930÷1130
Alloyed casehardening steels	18NiCrMo7 20NiCrMo2	--- 21NiCrMo2	20NCD7 20NCD2	En 325 805 H 20	4320 4315	232 224	100 98	760÷1030 690÷980
Alloyed for bearings	100Cr6	100Cr6	100C6	534 A 99	52100	207	95	690÷980
Tool steel	52NiCrMoKU C100KU X210Cr13KU 58SiMo8KU	56NiCrMoV7C100K C100W1 X210Cr12 ---	--- --- Z200C12 Y60SC7	--- BS 1 BD2-BD3 ---	--- S-1 D6-D3 S5	244 212 252 244	102 96 103 102	800÷1030 710÷980 820÷1060 800÷1030
Stainless steels	X12Cr13 X5CrNi1810 X8CrNi1910 X8CrNiMo1713	4001 4301 --- 4401	--- Z5CN18.09 --- Z6CDN17.12	--- 304 C 12 --- 316 S 16	410 304 --- 316	202 202 202 202	94 94 94 94	670÷885 590÷685 540÷685 490÷685
Copper alloys Special brass Bronze	Aluminium copper alloy G-CuAl11Fe4Ni4 UNI 5275 Special manganese/silicon brass G-CuZn36Si1Pb1 UNI5038 Manganese bronze SAE43 - SAE430 Phosphor bronze G-CuSn12 UNI 7013/2a					220 140 120 100	98 77 69 56,5	620÷685 375÷440 320÷410 265÷314
Cast iron	Gray pig iron G25 Spheroidal graphite cast iron GS600 Malleable cast iron W40-05					212 232 222	96 100 98	245 600 420

## 8 MATERIAL CLASSIFICATION AND CHOICE OF TOOL

Since the aim is to obtain excellent cutting quality, the various parameters such as hardness of the material, shape and thickness, transverse cutting section of the part to be cut, selection of the type of cutting blade, cutting speed and control of saw frame lowering. These specifications must therefore be harmoniously combined in a single operating condition according to practical considerations and common sense, so as to achieve an optimum condition that does not require countless operations to prepare the machine when there are many variations in the job to be performed. The various problems that crop up from time to time will be solved more easily if the operator has a good knowledge of these specifications.

### 8.1 Definition of materials

The table above lists the characteristics of the materials to be cut. So as to choose the right tool to use.

### 8.2 Selecting blade

First of all the pitch of the teeth must be chosen, in other words, the number of teeth per inch (25,4 mm) suitable for the material to be cut, according to these criteria:

- Parts with a thin and/or variable section such as profiles, pipes and plate, need close tooth, so that the number of teeth used simultaneously in cutting is from 3 to 6;
- Parts with large transverse sections and solid sections need widely spaced tooth to allow for the greater volume of the shavings and better tooth penetration;

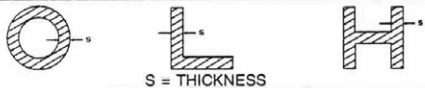
- Parts made of soft material or plastic (light alloys, mild bronze, Teflon, wood, etc.) also require widely spaced tooth;
- Pieces cut in bundles require combo tooth design.

### 8.3 Teeth pitch


As already stated, this depends on the following factors:

- **Hardness of the material**
- **Dimensions of the section**
- **Wall thickness.**

BLADE TEETH SELECTION TABLE		
THICKNESS mm	Z CONTINUOUS TOOTH DESIGN	Z COMBO TOOTH DESIGN
TILL 1.5	14	10/14
FROM 1 TO 2	8	8/12
FROM 2 TO 3	6	6/10
FROM 3 TO 5	6	5/8
FROM 4 TO 6	6	4/6
MORE THAN 6	4	4/6



SOLID Ø OR L mm	Z CONTINUOUS TOOTH DESIGN	Z COMBO TOOTH DESIGN
TILL 30	8	5/8
FROM 30 TO 60	6	4/6
FROM 40 TO 80	4	4/6
MORE THAN 90	3	3/4



### 8.4 Cutting and advance speed

The cutting speed (m/min) and the advance speed (cm<sup>2</sup>/min = area traveled by the disk teeth when removing shavings) are limited by the development of heat close to the tips of the teeth.

- The cutting speed is subordinate to the resistance of the material ( $R = N/mm^2$ ), to its hardness (HRC) and to the dimensions of the widest section.
- Too high an advance speed (= lowering of the saw frame) tends to cause the disk to deviate from the ideal cutting path, producing non rectilinear cuts on both the vertical and the horizontal plane.

The best combination of these two parameters can be seen directly examining the chips.

Long spiral-shaped chips indicate ideal cutting.

Very fine or pulverized chips indicate lack of feed and/or cutting pressure.

Thick and/or blue chips indicate overload of the blade.

### 8.5 Blade running-in

**When cutting for the first time, it is good practice to run in the tool making a series of cuts at a low advance speed** (= 30-35 cm<sup>2</sup>/min on material of average dimensions with respect to the cutting capacity and solid section of normal steel with  $R = 410-510 N/mm^2$ ).

**Generously spraying the cutting area with lubricating coolant.**

### 8.6 Blade structure

Bi-metal blades are the most commonly used. They consist of a silicon-steel blade backing by a laser welded high speed steel (HHS) cutting edge. The type of stocks are classified in M2, M42, M51 and differ from each other because of their major hardness due to the increasing percentage of Cobalt (Cc) and molybdenum (Mo) contained in the metal alloy

### 8.7 Blade type

They differ essentially in their constructive characteristics, such as:

- **Shape** and cutting **angle** of tooth

- **Pitch**

- **Set**

**Shape and angle of tooth**

**REGULAR TOOTH:** 0° rake and constant pitch.



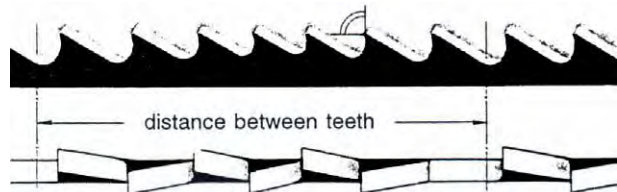
Most common form for transversal or inclined cutting of solid small and average cross-sections or pipes, in laminated mild steel and gray iron or general metal.

**POSITIVE RAKE TOOTH:** 9° - 10° positive rake and constant pitch.



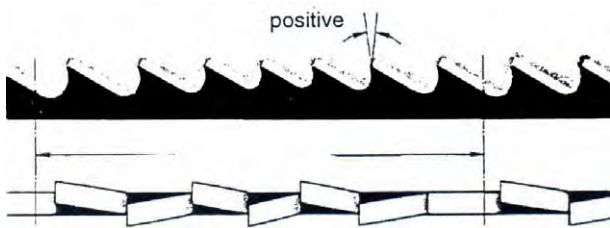
Particular use for crosswise or inclined cuts in solid sections or large pipes, but above all harder materials (highly alloyed and stainless steels, special bronze and forge pig iron).

**COMBO TOOTH:** pitch varies between teeth and consequently varying teeth size and varying gullet depths. Pitch varies between teeth, which ensures a smoother, quieter cut and longer blade life owing to the lack of vibration.



Another advantage offered in the use of this type of blade is the fact that with an only blade it is possible to cut a wide range of different materials in size and type.

**COMBO TOOTH:** 9° - 10° positive rake.



This type of blade is the most suitable for the cutting of section bars and large and thick pipes as well as for the cutting of solid bars at maximum machine capacity. Available pitches: 3-4/4-6.

#### SETS

Saw teeth bent out of the plane of the saw body, resulting in a wide cut in the workpiece.



**REGULAR OR RAKER SET:** Cutting teeth right and left, alternated by a straight tooth.



Of general use for materials with dimensions superior to 5 mm. Used for the cutting of steel, castings and hard nonferrous materials.

**WAVY SET:** Set in smooth waves.

#### 9 NOISE TESTS

The test was held under environmental noise levels of 65db. Noise measurements with the machine operating unload was 71db. Noise level during the cutting of mild carbon steel was 73db.

NOTE: with the machine operating, the noise level will vary according to the different materials being processed. The user must therefore assess the intensity and if necessary provide the operators with the necessary personal protection, as required by Law 277/1991.



This set is associated with very fine teeth and it is mainly used for the cutting of pipes and thin section bars (from 1 to 3 mm).

**ALTERNATE SET (IN GROUPS):** Groups of cutting teeth right and left, alternated by a straight tooth.



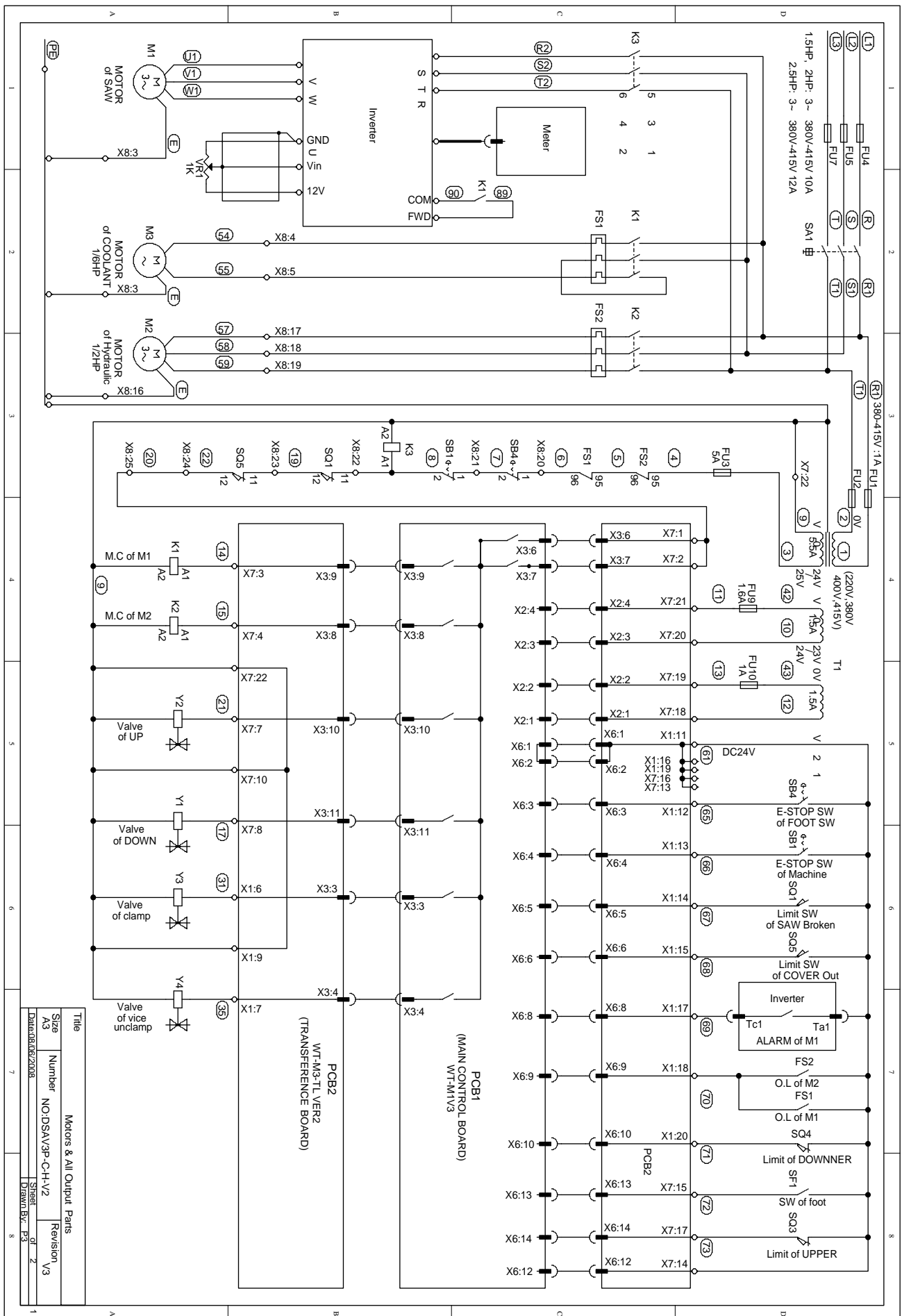
This set is associated with very fine teeth and it is used for extremely thin materials (less than 1mm).

**ALTERNATE SET (INDIVIDUAL TEETH):** Cutting teeth right and left.



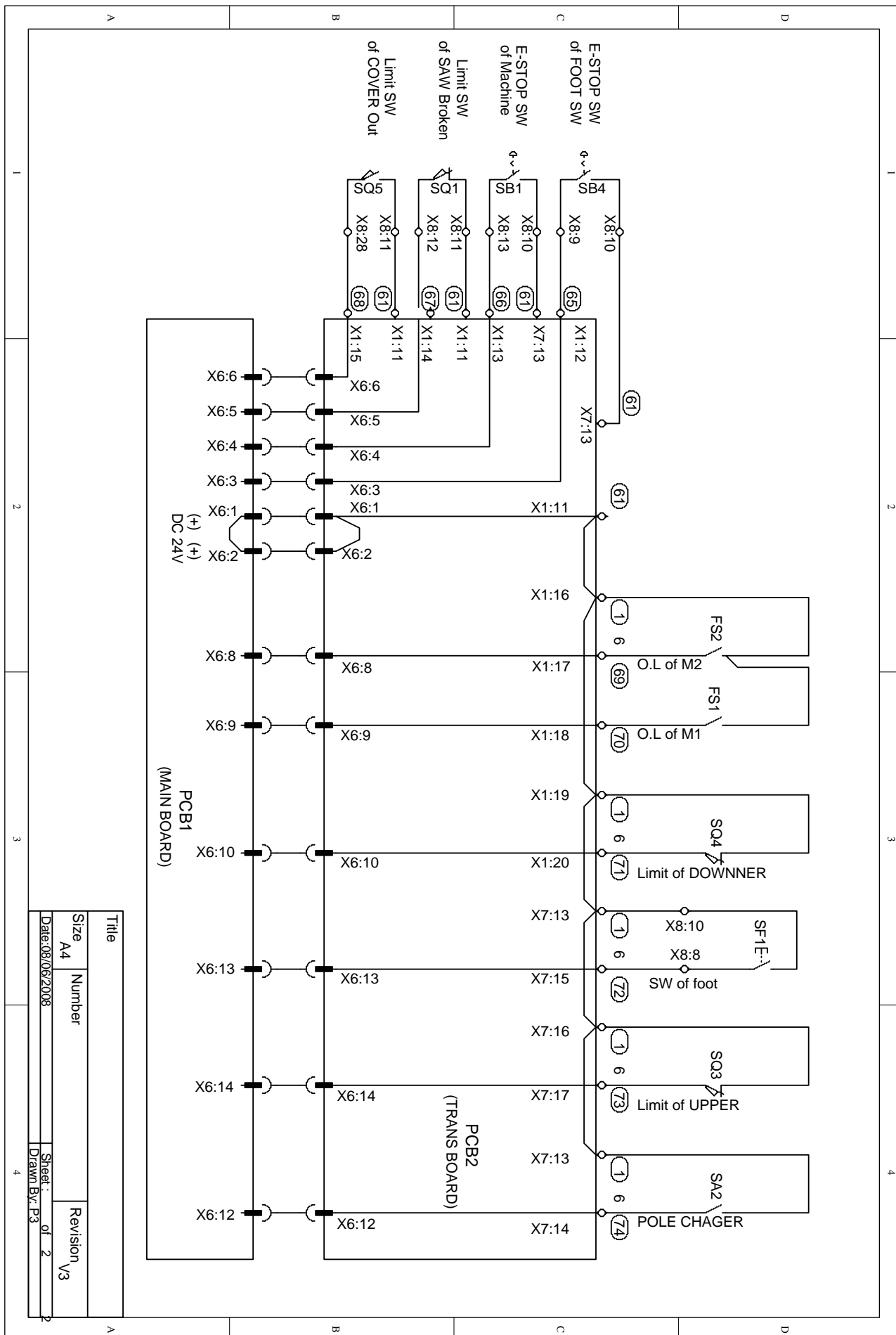
This set is used for the cutting of nonferrous soft materials, plastics and wood.

ELECTRICAL DIAGRAM / ELEKTRISCHE ANLAGE / SCHÉMA ÉLECTRIQUE  
SX-823DGSVI

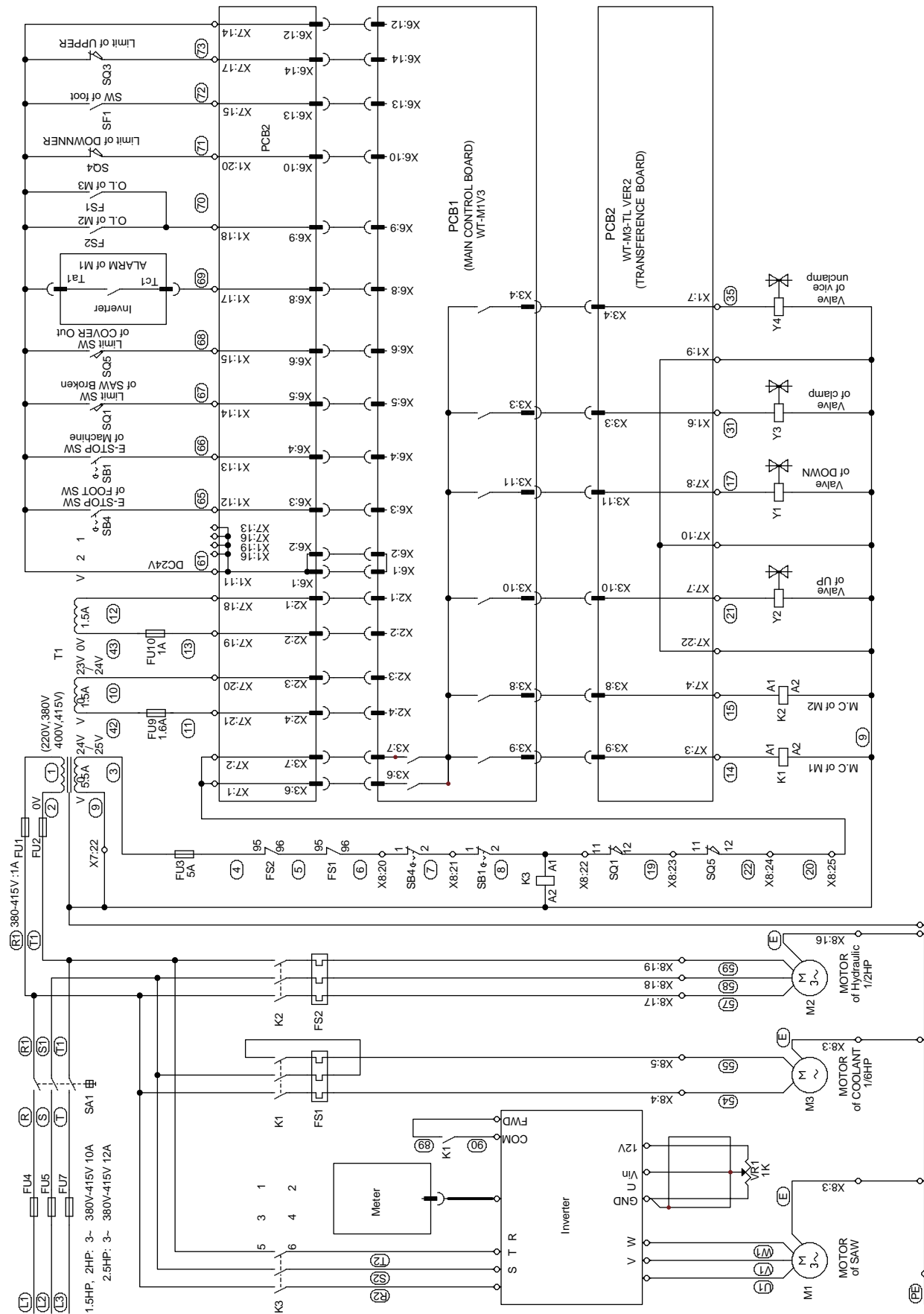




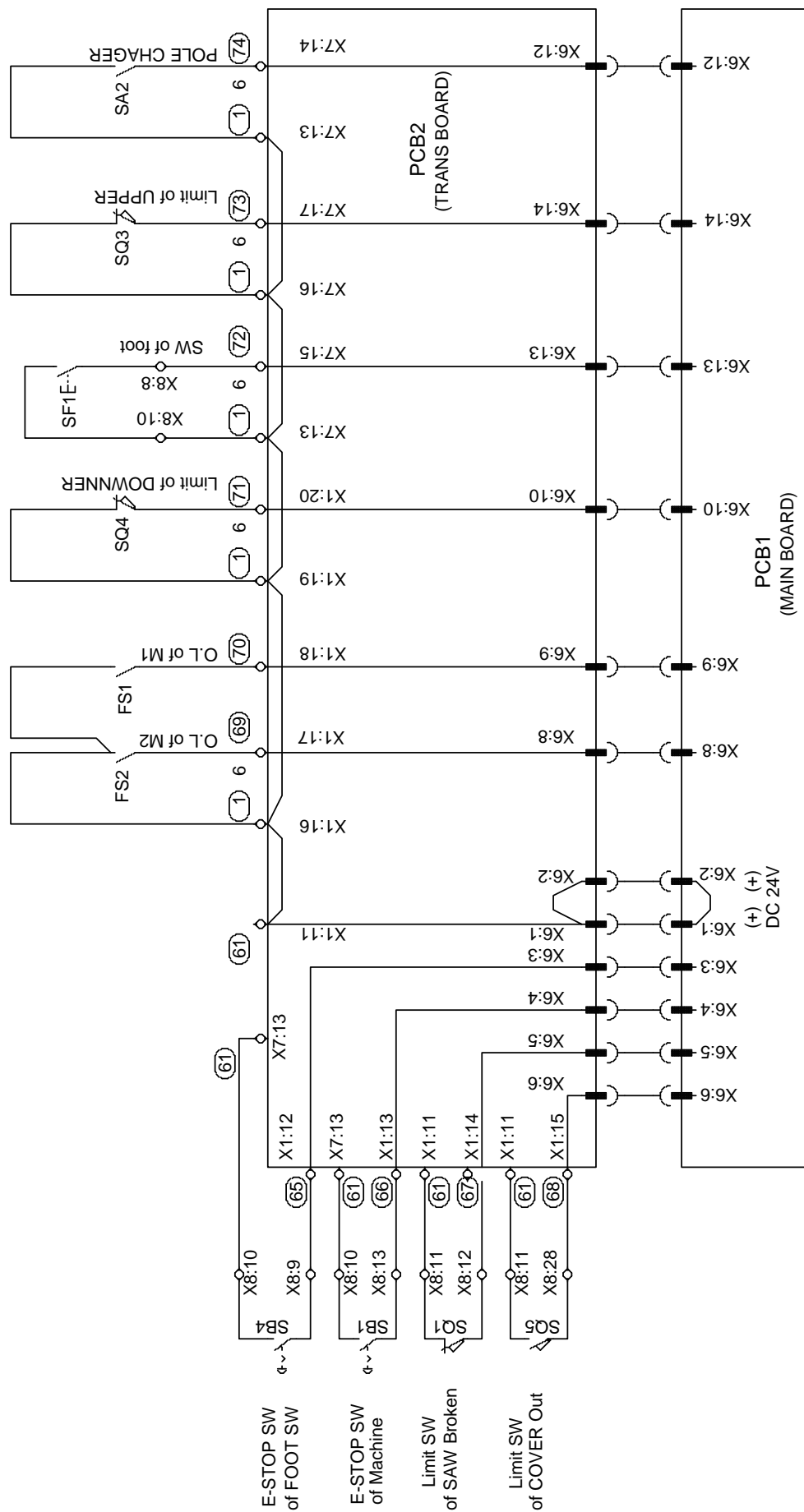
ELECTRICAL DIAGRAM / ELEKTRISCHE ANLAGE / SCHÉMA ÉLECTRIQUE  
SX-823DGSVI



ELECTRICAL DIAGRAM / ELEKTRISCHE ANLAGE / SCHÉMA ÉLECTRIQUE  
SX-827DGSVI




ELECTRICAL DIAGRAM / ELEKTRISCHE ANLAGE / SCHÉMA ÉLECTRIQUE  
SX-827DGSVI



## 11 TROUBLESHOOTING

This chapter lists the probable faults and malfunctions that could occur while the machine is being used and suggests possible remedies for solving them.

### 11.1 Blade and cut diagnosis

FAULT	PROBABLE CAUSE	REMEDY
<p><b>TOOTH BREAKAGE</b></p> 	<p>Too fast advance</p> <p>Wrong cutting speed</p> <p>Wrong tooth pitch</p> <p>Chips sticking onto teeth and in the gullets or material that gums</p> <p>Defects on the material or material too hard</p> <p>Ineffective gripping of the part in the vise</p> <p>The blade gets stuck in the material</p> <p>Starting cut on sharp or irregular section bars</p> <p>Poor quality blade</p> <p>Previously broken tooth left in the cut</p> <p>Cutting resumed on a groove made previously</p> <p>Vibrations</p> <p>Wrong tooth pitch or shape</p> <p>Insufficient lubricating, refrigerant, or wrong emulsion</p> <p>Teeth positioned in the direction opposite the cutting direction</p>	<p>Decrease advance, exerting less cutting pressure. Adjust the braking device.</p> <p>Change speed and/or type of blade. See chapter on "Material classification and blade selection", in the section <i>Blade selection table according to cutting and feed speed</i>.</p> <p>Choose a suitable blade. See Chapter "Material classification and blade selection".</p> <p>Check for clogging of coolant drain holes on the blade-guide blocks and that flow is plentiful in order to facilitate the removal of chips from the blade.</p> <p>Material surfaces can be oxidized or covered with impurities making them, at the beginning of the cut, harder than the blade itself, or have hardened areas or inclusions inside the section due to productive agents used such as casting sand, welding wastes, etc. Avoid cutting these materials or in a situation a cut has to be made use extreme care, cleaning and remove any such impurities as quickly as possible.</p> <p>Check the gripping of the part.</p> <p>Reduce feed and exert less cutting pressure.</p> <p>Pay more attention when you start cutting.</p> <p>Use a superior quality blade.</p> <p>Accurately remove all the parts left in.</p> <p>Make the cut elsewhere, turning the part.</p> <p>Check gripping of the part.</p> <p>Replace blade with a more suitable one. See "Material classification and blade selection" in the <i>Blade Types</i> section. Adjust blade guide pads.</p> <p>Check level of liquid in the tank. Increase the flow of lubricating refrigerant, checking that the hole and the liquid outlet pipe are not blocked. Check the emulsion percentage.</p> <p>Turn teeth to correct direction.</p>

## FAULT

## PREMATURE BLADE WEAR



## PROBABLE CAUSE

Faulty running-in of blade

Teeth positioned in the direction opposite the cutting direction

Poor quality blade

Too fast advance

Wrong cutting speed

Defects on the material or material too hard

Insufficient lubricating refrigerant or wrong emulsion

## REMEDY

See "Material classification and blade selection" in the *Blade running-in* section.

Turn teeth in correct direction.

Use a superior quality blade.

Decrease advance, exerting less cutting pressure. Adjust the braking device.

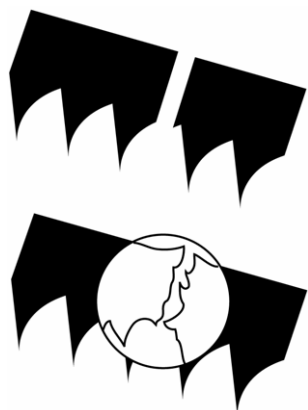
Change speed and/or type of blade. See chapter on "Material classification and blade selection," in the section *Blade selection table according to cutting and feed speed*.

Material surfaces can be oxidized or covered with impurities making them, at the beginning of the cut, harder than the blade itself, or have hardened areas or inclusions inside the section due to productive agents used such as casting sand, welding wastes, etc.

Avoid cutting these materials or perform cutting with extreme care, cleaning and remove such impurities as quickly as possible.

Check level of liquid in the tank. Increase the flow of lubricating coolant, checking that the coolant nozzle and pipe are not blocked. Check the emulsion percentage.

## BLADE BREAKAGE



Faulty welding of blade

Too fast advance

Wrong cutting speed

Wrong tooth pitch

Ineffective gripping of the part in the vice

Blade touching material at beginning of cut

Remedy

The welding of the blade is of utmost importance. The meeting surfaces must perfectly match and once they are welded they must have no inclusions or bubbles; the welded part must be perfectly smooth and even. They must be evenly thick and have no bulges that can cause dents or instant breakage when sliding between the blade guide pads.

Decrease advance, exerting less cutting pressure. Adjust the braking device.

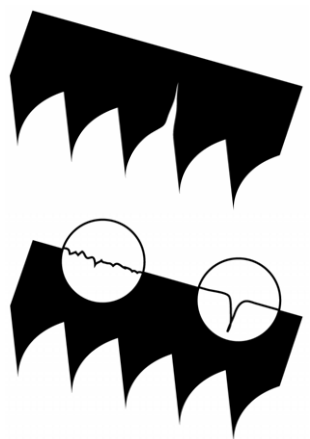
Change speed and/or type of blade.


See chapter on "Material classification and blade selection", in the section *Blade selection table according to cutting and feed speed*.

Choose a suitable blade. See Chapter "Material classification and blade selection."

Check the gripping of the part.

At the beginning of the cutting process, never lower the saw bow before starting the blade motor.

FAULT	PROBABLE CAUSE	REMEDY
	<p>Blade guide pads not regulated or dirty because of lack of maintenance</p> <p>Blade guide block too far from material to be cut</p> <p>Improper position of blade on flywheels</p> <p>Insufficient lubricating coolant or wrong emulsion</p>	<p>Check distance between pads (see "Machine adjustments" in the <i>Blade Guide Blocks</i> section): extremely accurate guiding may cause cracks and breakage of the tooth. Use extreme care when cleaning.</p> <p>Approach head as near as possible to material to be cut so that only the blade section employed in the cut is free, this will prevent deflections that would excessively stress the blade.</p> <p>The back of blade rubs against the support due to deformed or poorly welded bands (tapered), causing cracks and swelling of the back contour.</p> <p>Check level of liquid in the tank. Increase the flow of lubricating refrigerant, checking that the hole and the liquid outlet pipe are not blocked. Check the emulsion percentage.</p>
<p><b>STEAKED OR ETCHED BANDS</b></p>	<p>Damaged or chipped blade guide pads</p> <p>Tight or slackened blade guide bearings.</p>	<p>Replace them.</p> <p>Adjust them (see Chapter "Machine adjustments" in <i>Blade guide</i> section).</p>
<p><b>CUTS OFF THE STRAIGHT</b></p>	<p>Blade not parallel as to the counter service</p> <p>Blade not perpendicular due to the excessive play between the guide pads and maladjustment of the blocks</p> <p>Too fast advance</p> <p>Worn out blade</p> <p>Wrong tooth pitch</p>	<p>Check fastenings of the blade guide blocks as to the counter-vice so that they are not too loose and adjust blocks vertically; bring into line the position of the degrees and if necessary adjust the stop screws of the degree cuts.</p> <p>Check and vertically re-adjust the blade guide blocks; reset proper side guide play (see Chapter "Machine adjustments" In <i>Blade guide</i> section).</p> <p>Decrease advance, exerting less cutting pressure. Adjust the braking device.</p> <p>Approach it as near as possible to material to be cut so that only the blade section employed in the cut is free, this will prevent deflections that would excessively stress the blade.</p> <p>Replace it. Blade with major density of teeth is being used, try using one with less teeth (see Chapter "Material classification and blade selection" in the <i>Blade Types</i> section).</p>

FAULT	PROBABLE CAUSE	REMEDY
	<p>Broken teeth</p> <p>Insufficient lubricating refrigerant or wrong emulsion</p>	<p>Irregular work of the blade due to the lack of teeth can cause deflection in the cut; check blade and if necessary replace it.</p> <p>Check level of liquid in the tank. Increase the flow of lubricating coolant, checking that the hole and the liquid outlet pipe are not blocked. Check the emulsion percentage.</p>
<p><b>FAULTY CUT</b></p>	<p>Worn out flywheels Flywheel housing full of chips</p>	<p>The support and guide flange of the band are so worn out that they cannot ensure the alignment of the blade, causing faulty cutting; blade rolling and drawing tracks can have become tapered. Replace them. Clean with compressed air.</p>
<p><b>STREAKED CUTTING SURFACE</b></p> 	<p>Too fast advance</p> <p>Poor quality blade</p> <p>Worn out blade or with chipped and/or broken teeth</p> <p>Wrong tooth pitch</p> <p>Blade guide block too far from material to be cut</p> <p>Insufficient lubricating coolant or wrong emulsion</p>	<p>Decrease advance, exerting less cutting pressure. Adjust the braking device.</p> <p>Use a superior quality blade.</p> <p>Replace it.</p> <p>Blade used probably has too large teeth, use one with more teeth (see <b>"Material classification and blade selection"</b> in the Blade Types section).</p> <p>Approach it as near as possible to material to be cut so that only the blade section employed in the cut is free, this will prevent deflections that would excessively stress the blade.</p> <p>Check level of liquid in the tank. Increase the flow of lubricating coolant, checking that the hole and the liquid outlet pipe are not blocked. Check the emulsion percentage.</p>
<p><b>NOISE ON GUIDE BLOCKS</b></p>	<p>Chipped bearings Worn out or damaged pads</p>	<p>Dirt and/or chips between blade and guide bearings. Replace them. Replace them.</p>

## **1. UNFALLPRÄVENTION UND SICHERHEITSVERORDNUNG**

Diese Maschine wurde unter Berücksichtigung nationaler und gemeinschaftlicher Unfalls- präventionsvorschriften entwickelt. Unsachgemäße Benutzung und / oder Manipulation der Sicher- heitseinrichtungen enthebt den Hersteller von jeglicher Verantwortung.

### **1.1 Hinweise für den Betreiber**

- Prüfen Sie, ob die auf dem Maschinenmotor angegebene Span- nung der Netzspannung entspricht.
- Prüfen Sie die Funktionstüchtigkeit Ihrer elektrischen Versorgung und Erdung; verbinden Sie das Netzkabel der Maschine mit der Steckdose und das Erdkabel (gelb- grün) mit dem Erdungssystem.
- Wenn der Sägearm sich in hängendem (oder erhöhtem) Zustand befindet, darf sich das Sägeband nicht bewegen.
- Nur der Teil des Sägebandes, das zum Schneiden verwendet wird, darf unge- schützt freiliegen.
- Benutzen Sie die Maschine keinesfalls ohne die Schutzvorrichtungen.
- Ziehen Sie immer den Netzstecker aus der Steckdose, bevor Sie ein Sägeband austauschen oder eine Wartung durchführen, selbst im Falle von anormalem Betrieb der Maschine.
- Tragen Sie immer eine geeignete Schutzbrille.
- Legen Sie niemals Ihre Hände oder Arme in den Schnittbereich, während die Maschine in Betrieb ist.
- Verlagern Sie nicht die Maschine, während sie in Betrieb ist.
- Tragen Sie keine lose Kleidung wie Oberhemden mit zu langen Ärmeln, zu große Handschuhe, Armbänder, Ketten oder andere Gegenstände, die sich während des Betriebs in der Maschine verfangen könnten. Binden Sie lange Haare zusammen.

- Halten Sie den Bereich frei von Geräten, Werkzeugen oder jeglichen anderen Objekten.
- Führen Sie nur eine Tätigkeit zur gleichen Zeit durch. Halten Sie niemals mehrere Objekte gleichzeitig in Ihren Händen. Halten Sie Ihre Hände so sauber wie möglich.
- All Arbeitsvorgänge wie Wartungen oder Reparaturen müssen in einem gut beleuchteten Raum durchgeführt werden, oder wo es ausreichend Licht von zusätzlichen Quellen gibt, um so das Risiko von selbst leichten Unfällen zu vermeiden

### **1.2 Die elektrische Ausrüstung nach europäischem Standard "CENELEC EN 60204-1"**

- Die elektrische Ausrüstung sorgt für Schutz gegen elektrische Schocks durch direkten oder indirekten Kontakt. Die aktiven Teile des Gerätes sind in einem Kasten untergebracht, dessen Zugang durch Schrauben eingeschränkt ist, die nur mit einem speziellen Werkzeug entfernt werden können, den Teilen wird Wechselstrom als Niederspannung (24V) Strom zugeführt.
- Das Gerät ist gegen Spritzwasser und Staub geschützt.
- Der Schutz des Systems gegen Kurzschluss wird durch Sicherungen und Erdung sichergestellt; im Falle einer Überlastung des Motors wird der Schutz durch einen thermischen Schutz gewährleistet.
- Im Falle eines Stromausfalls muss die Start-Taste zurückgesetzt werden.
- Die Maschine wurde in Über- einstimmung mit Punkt 20 der EN 60204 getestet.



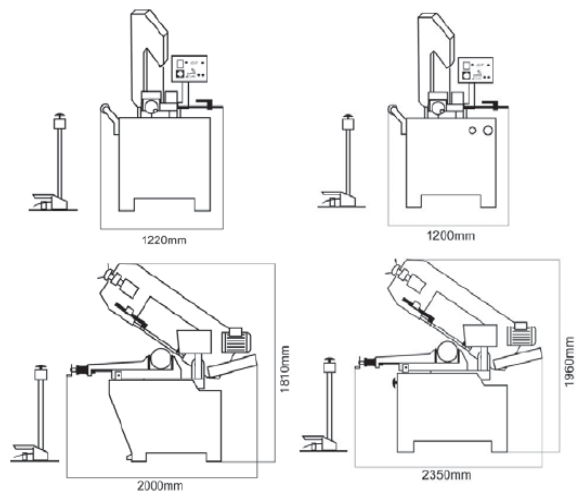
### 1.3 Notfälle nach europäischem Standard "CENELEC EN 60204-1"

- Im Falle einer Fehlbedienung oder der Gefahrensituationen kann das Gerät sofort durch Drücken der roten Pilztaste gestoppt werden.
- Die zufällige oder freiwillige Entfernung des Sägebanddeckels bewirkt die Aktivierung des Verriegelungsschalters, der automatisch alle Funktionen der Maschine stoppt.
- Im Falle eines Sägebandbruchs unterbricht der Bandspannungs-Mikroschalter alle Funktionen der Maschine.

**Hinweis:** Das Zurücksetzen des Maschinenbetriebs nach jedem Notstopp erfordert die Betätigung der Start-Taste.

## 2. ABMESSUNGEN, TRANSPORT, INSTALLATION UND DEMONTAGE DER MASCHINE

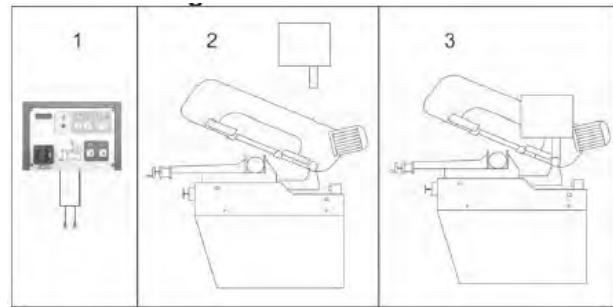
### 2.1 Abmessungen der Maschine



SX-823DGSVI

SX-827DGSVI

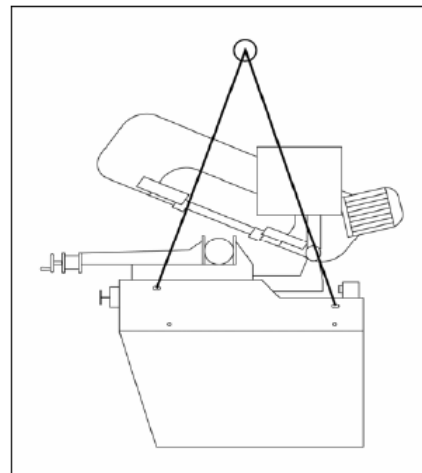
### 2.2 Anbringen des Schaltkasten



- Befestigen Sie den Schaltkasten mit den zwei beigelegten Stellschrauben an der Säge.

### 2.3 Transport der Maschine

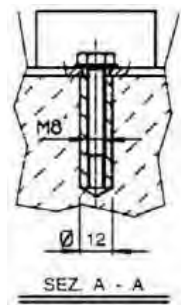
Verwenden Sie zum Transport der Maschine einen Gabelstapler oder verwenden Sie sie wie dargestellt mit Gurten.



## 2.4 Mindestanforderungen für das Setzen der Maschine

- Hauptspannung und -frequenz müssen mit den Anforderungen des Maschinenmotors übereinstimmen.
- Die Umgebungstemperatur sollte zwischen -10°C bis +50°C betragen.
- Die relative Luftfeuchtigkeit darf nicht 90 Prozent überschreiten.

## 2.5 Verankern der Maschine



Positionieren Sie die Maschine auf einem festen Betonboden unter Beibehaltung eines Mindestabstands auf der Rückseite von 800 mm zur Wand. Verankern Sie die Maschine am Boden, wie in der Abbildung dargestellt mit Schrauben und Dübel oder im Beton versenkten Zugankern, und stellen Sie sicher, dass die Säge eben steht.

## 2.6 Hinweise für die Montage der losen Teile und des Zubehörs

Montieren Sie die beigelieferten Komponenten:

Detail 1 Montieren Sie den Längsanschlag

Detail 2 Montieren und richten Sie den Rollentragarm anhand der Höhe des Spannstocktisches aus.

## 2.7 Deaktivierung der Maschine

- Wenn die Sägemaschine über einen längeren Zeitraum nicht verwendet werden wird, ist es ratsam wie folgt vorzugehen:
  - 1) Ziehen Sie den Netzstecker aus der Steckdose.
  - 2) Lösen Sie das Sägeband.
  - 3) Kuppeln Sie den Sägearm und die Rückstellfeder aus.
  - 4) Leeren Sie den Kühlmittelbehälter.
  - 5) Reinigen und fetten Sie die Maschine sorgfältig.
  - 6) Falls erforderlich, decken Sie die Maschine ab.

## 2.8 Demontage (aufgrund Defekte und / oder Alterung) Allgemeine Regeln

Wenn die Maschine dauerhaft zerstört und / oder verschrottet werden soll, teilen Sie das zu entsorgende Material nach Typ und Zusammensetzung folgenderweise auf:

- 1) Gusseisen oder eisenhaltige Materialien, die einzig aus Metall bestehen, sind Sekundärrohstoffe. Daher können sie zu einer Alteisenhandlung gebracht werden, nachdem die Materialien (dargestellt in Punkt 3) entnommen worden sind.
- 2) Elektrische Komponenten, einschließlich der Kabel und des elektronischen Materials (Magnetkarten etc.), fallen in die Kategorie des Materials, das den Gesetzen Ihrer lokalen, staatlichen oder Bundesregierung entsprechend als städtischer Abfall eingestuft wird, so dass sie möglicherweise zur Abholung durch den öffentlich-rechtlichen Entsorgungsträger beiseite gestellt werden kann.
- 3) Alte mineralischen und synthetischen und / oder gemischten Öle, emulgierte Öle und Fette gelten als Giftmüll oder Sondermüll. Daher müssen sie durch ein spezielles Entsorgungsunternehmen gesammelt, transportiert und entsorgt werden.

**HINWEIS:** Die Normen und Rechtsvorschriften in Bezug auf Sondermüll ist in einem ständigen Zustand der Weiterentwicklung unterworfen. Daher sind Änderungen vorbehalten. Der Anwender muss sich über die Vorschriften zum Zeitpunkt der Entsorgung auf dem Laufenden halten, da diese von den oben beschriebenen abweichen können.

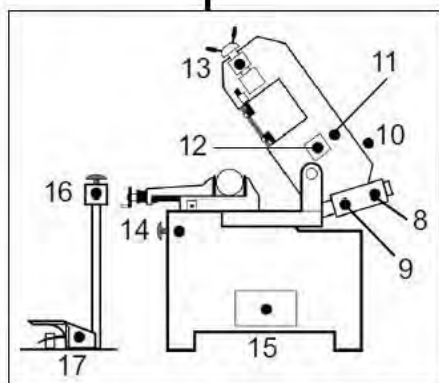
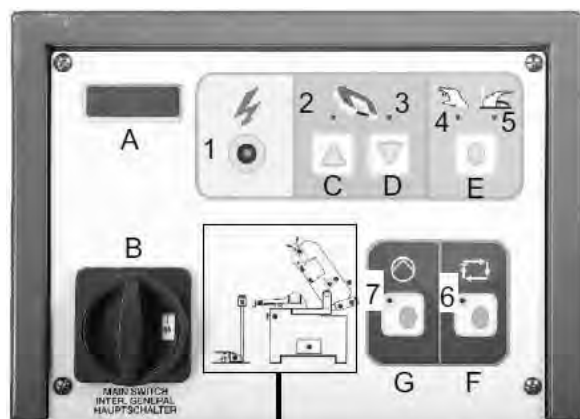
### 3. FUNKTIONSTEILE DER MASCHINE

#### 3.1 Der Sägearm

Maschinenteile, bestehend aus Antriebs-elementen (Getriebemotor oder Motor mit variabler Drehzahl, Bandräder), Bandspannung und Führung (Sägebandführungsschlitten, Bandführungsblöcke) des Sägebandes.

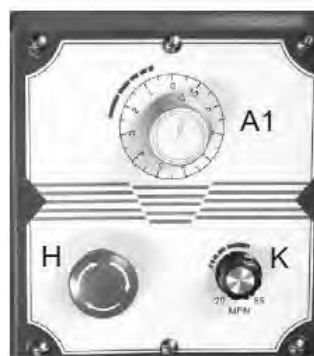


#### 3.2 Bedienpult



#### A ~ K Bedienungsschalter

- A. Sägebandgeschwindigkeitsanzeige
- A1 Armabsenkregulierung
- B. Hauptschalter
- C. Sägearm-Hebetaste
- D. Sägearm-Absenktaste
- E. Wahlschalter Hand- / Fußpedalbetrieb
- F. Arbeitsgang-Start-Schalter
- G. Hydrauliksystem Start-Schalter
- H. Not-Austaste Maschine
- I. Not-Austaste Fusspedal
- J. Fußpedalschalter
- K. Sägeband-Geschwindigkeitsregler



#### 1 ~ 17. Anzeigeleuchten

Rot = Warnanzeige

Gelb = Auswahlanzeige

Grün = Betriebsanzeige

1. Stromversorgung AN, Anzeigeleuchte
2. Sägearm oben, Anzeigeleuchte
3. Sägearm unten, Anzeigeleuchte
4. Handbedienung, Anzeigeleuchte
5. Fußpedalbedienung, Anzeigeleuchte
6. Arbeitsgang-Start-Schalter, Anzeigeleuchte

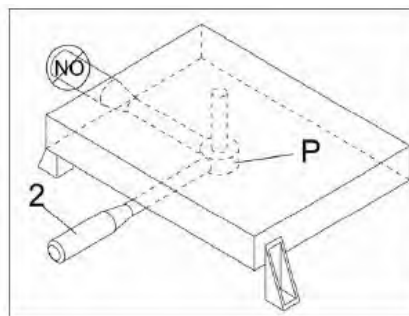
7. Start-Schalter (hydraulischer Durchflussregler), Anzeigeleuchte
8. Sägearm maximale Höhe, Anzeigeleuchte
9. Sägearm niedrigste Höhe, Anzeigeleuchte
10. Offene Sägebundabdeckung, Warnanzeigeleuchte
11. Falsche Geschwindigkeitsauswahl, Warnanzeigeleuchte
12. Motorüberlastung, Warnanzeigeleuchte
13. Zerbrochenes Sägebund, Warnanzeigeleuchte
14. Nottaste-Anzeigeleuchte
15. Überlastung des Hydraulikmotors, Warnanzeigeleuchte
16. Nottaste-Anzeigeleuchte der Fußpedals
17. Fußpedal, Betriebsanzeigeleuchte

### 3.3 Schraubstockeinstellung

#### Spannen des Werkstücks

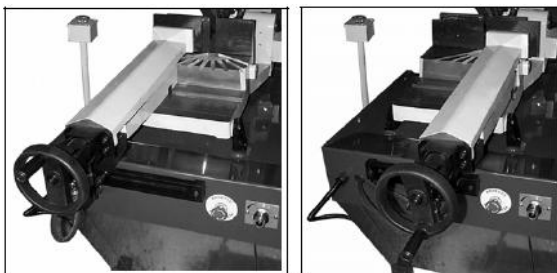
- Legen Sie das Werkstück zwischen die Spannbacken.
- Verwenden Sie das Spannstock-Handrad, um den Spannbacken zu schließen. Für mehrere Schnitte eines Materials gleicher Größe lassen Sie eine kleine Lücke (10mm) zwischen dem Werkstück und dem Spannbacken. Drücken Sie die Arbeitsvorgang-Starttaste (F). Der Spannstock wird automatisch während des Betriebsvorgangs das Werkstück spannen. Wenn der Arbeitsvorgang beendet ist, wird sich der Spannstock öffnen und das Werkstück kann nachgeschoben oder entfernt werden.

#### Verwendung des Spannstocks



Beim Schneiden von Gehrungen kann eine Anpassung der Position des Spannstockes erforderlich sein, so dass der Weg des Sägebundes nicht behindert wird. Befolgen Sie die folgenden Anweisungen.

- Lösen Sie die Führungshilfe, indem Sie den Klemmgriff (1) gegen den Uhrzeigersinn drehen.
- Lösen Sie den Spannstock, indem Sie den Hebel (2) nach links bewegen.
- Der Spannstock kann jetzt nach rechts oder links bewegt werden, indem Sie mit einer Hand auf den verstellbaren Spannstock und mit der anderen Hand auf den Führungsgriff (1) drücken.
- Einmal in Position gebracht, bewegen Sie den Hebel (2) nach rechts, um ihn in dieser Position zu verriegeln. Befindet sich der Hebel (2) nicht zwischen dem Spannstock / Bettträgern und zeigt in Richtung Benutzer (NO), so ist der Schraubstock nicht verriegelbar. Wenn der Schraubstockhebel (2) sich darüber hinweg bewegt hat oder von einem Schraubstock / Bettträger behindert wird, dann verwenden Sie das folgende Verfahren.
- Den Hebel (2) heben, so dass er beim Drehpunkt (P) aus der Führung klinkt, den Hebel drehen bis er in der gewünschten Position ist und absenken, damit er wieder einrastet.
- Sperren Sie die Führungshilfe, indem Sie den Klemmgriff (1) im Uhrzeigersinn drehen.



### 3.4 Einstellen des Schnittwinkels



Schneiden in Gehrung

- Es können Gehrungen von bis zu 60 Grad geschnitten werden
- Entriegeln Sie den Hebel (L), indem Sie ihn nach links schieben.
- Drehen Sie den Sägearm in die gewünschte Gehrung, die Gehrungsskala hilft dabei.
- Verriegeln Sie den Hebel (L), indem Sie ihn nach rechts schieben.

### 3.5 Der Maschinenstand

- Eine Konstruktion zur Unterstützung des SÄGEARMS (drehbarer Arm zum schrittweisen Schneiden und ein entsprechendes Klemmsystem), der SCHRAUBSTOCK, der LAENGSAN- SCHLAG, die ROLLSTÜTZEN zur Stützung des Werkmaterials. Im Maschinenstand sind der TANK für Kühlflüssigkeit, die PUMPE und das SYSTEM ZUR STEUERUNG DES AUTOMATISCHEN HYDRAULISCHEN ANHEBENS UND ABSENKENS DES SÄGERAHMENS.



SX-823DGSVI



SX-827DGSVI



Maschinenschloss

Der Hauptschalter wurde mit einem Schlossloch konzipiert. An das Schlossloch kann ein Schloss angebracht werden, um einen Betrieb der Maschine aus Sicherheitsgründen zu verhindern.

- Um den Fußpedalschalter (J) zu verwenden, muss zuerst die seitliche Sicherheitsklinke mit seitlichem Drücken entsperrt werden. Achten Sie darauf, den Sicherheitsklinke nicht mit übermäßiger Gewalt oder durch Stampfen zu beschädigen. Drücken Sie als nächstes auf den Pedalschalter, um den Betrieb zu starten.

### 3.6 Der Betriebsablauf

- Stellen Sie sicher, dass die angegebene Spannung auf dem Maschinenmotor der Spannung der Stromquelle entspricht. Schließen Sie das Gerät an die Stromquelle an, und drehen Sie den Hauptschalter (B). Wenn Netzkontrollleuchte (I) ist, bedeutet dies, dass die Spannung im ordnungsgemäßen Bereich liegt.
- \* Hinweis: Bei der Auswahl der Schnittgeschwindigkeit blinkt die Kontrollleuchte.
- Drücken Sie den Start-Schalter für das Hydrauliksystem (G).
- \* Hinweis: Wenn das Hydrauliksystem nicht startet, dann funktionieren Schalter (C), (D) und (F) nicht. Die Kontrollleuchte (7) blinkt, wenn ein Schalter gedrückt worden ist, was darauf hinweist, dass das Hydrauliksystem nicht läuft.
- Überprüfen Sie den Hydraulikölstand. Wenn der Ölstand steigt, bedeutet dies, dass der Motor in die richtige Drehrichtung läuft. Wenn nicht, die Drehrichtung (Phasen) Sie am Netzstecker wechseln.

- Prüfen Sie, ob der Sägearm richtig eingestellt ist. Drücken Sie die Sägearmtaste (C) oder (D), um den Arm die richtige Höhe zum Werkstück zu bringen.
  - Legen Sie das Werkstück in den Spannstock und fixieren Sie es leicht.
  - Wählen Sie die Geschwindigkeit mit dem Geschwindigkeitswahlschalter (K).
  - Achten Sie darauf, während des Betriebs an einem sicheren Ort zu stehen. Es gibt zwei Möglichkeiten, um die Maschine zu starten. Drücken Sie die Taste (C), um den Sägearm in die höchste Position zu bringen und wählen Sie dann mittels der ersten Methode die Hand-Bedienung auf dem Wahlschalter (E), drücken Sie den Arbeitsgang-Startschalter (F), um den Betrieb zu starten. Mittels der zweiten Methode wählen Sie den Fußpedal-Betrieb am Wahlschalter (E) und treten auf den Fußpedalschalter (J), um den Betrieb zu starten.
  - Durch leichtes Drehen des Absenkregulierers (A1) gegen den Uhrzeigersinn beginnt sich der Sägearm abzusenken. Senkt sich der Arm zu schnell, drehen Sie den Absenkregulierer zurück bis zum Anschlag, um das Absenken zu unterbrechen. Beim Schneiden verschiedener Materialien können Sie mit dem Absenkregulierer (A1) die Sinkgeschwindigkeit des Sägearms kontrollieren.
- \* Hinweis:** Ein sich zu schnell senkender Sägearm kann das Sägeband auf dem Werkstück zum Klemmen bringen, woraufhin sich die Maschine abschaltet. Falls dies der Fall sein sollte, drücken Sie auf die Not-Aus-Tasten (H oder I), um sofort alle Funktionen der Maschine anzuhalten.
- Während des Betriebsablaufs klemmt der hydraulische Spannstock automatisch das Werkstück. Der hydraulische Spannstock öffnet sich maximal 8mm. Jetzt ist er bereit für die nächste Operation. Es ist nicht notwendig, bei jedem Durchgang die Schraubstockbacken manuell am Werkstück zu lösen oder zu klemmen. Achten Sie auf einen Abstand von 4 bis 5mm zwischen den Backen und dem Werkstück um die automatische Klemmung und Öffnung zu gewährleisten.
  - Der Sägearm kehrt nach Abschluss des Betriebsablaufs auf die eingestellte Höhe zurück.
  - Bei einem Notfall oder eines Problems während des Betriebsablaufs, drücken Sie die Notfall-Taste (H oder I) zum Abschalten aller Funktionen.
  - Um die Notfall-Taste (H oder I) zu lösen, drehen Sie den pilzförmigen Knopf im Uhrzeigersinn. Der Schalter öffnet sich und der Schnittzyklus kann neu gestartet werden.
  - Der hydraulische Start-Schalter (G) schaltet sich automatisch nach 5 Minuten ohne Betrieb ab.
- \*\* Hinweis:** Wenn das Hydrauliksystem nicht startet ist, dann funktionieren Schalter (C), (D) und (F) nicht. Die Kontrollleuchte (7) blinkt, wenn ein Schalter gedrückt worden ist, was darauf hinweist, dass das Hydrauliksystem nicht läuft.

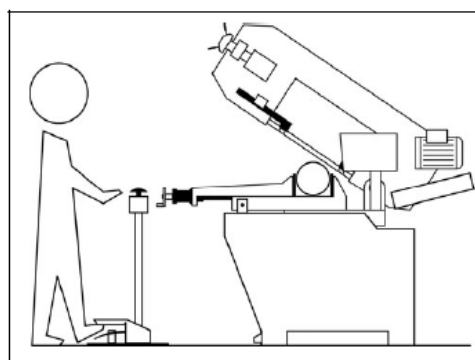
- Wenn die Hand-Bedienung ausgewählt ist und der Fußpedalschalter benutzt wird, so blinkt die Kontrollleuchte für die Hand-Bedienung (4). Wenn der Fußpedalschalterbetrieb ausgewählt ist und der Handschalter verwendet wird, so leuchtet die Kontrollleuchte für den Fußpedalschalter (5). Sie weisen auf die falsche Auswahl hin.
  - Die entsprechende Kontrollleuchte blinkt, um anzuzeigen, welcher Teil der Maschine nicht funktioniert.
1. Kontrollleuchte 14 zeigt an, dass die Not-Aus-Taste gedrückt worden ist. Kontrollleuchte 16 zeigt an, dass die Nottaste des Fußpedalschalters gedrückt worden ist
  2. Kontrollleuchte 13 zeigt an, dass das Sägeband gebrochen ist.
  3. Kontrollleuchte 10 zeigt an, dass die Sägebandabdeckung geöffnet ist.
  4. Kontrollleuchte 12 zeigt an, dass der Motor überlastet ist.
  5. Kontrollleuchte 15 zeigt an, dass der hydraulische Motor überlastet ist.
  6. Kontrollleuchte 11 zeigt an, dass nicht die korrekte Geschwindigkeit gewählt wurde.
- Wenn die Sägearm-Heb-/Senkschalter nicht funktionieren, so blinken die Kontrollleuchten 2 und 3 gleichzeitig.



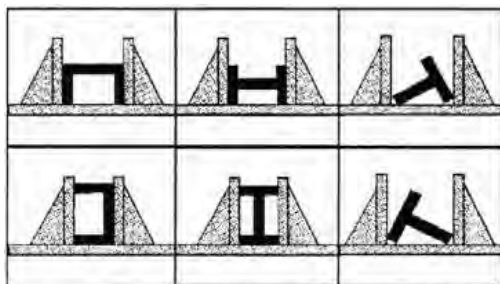
#### 4 TIPPS ZUR VERWENDUNG IHRER BANDSÄGE

##### 4.1 Empfehlungen und Ratschläge zur Verwendung der Maschine

Die Maschine wurde entwickelt, um Baumaterialien aus Metall unterschiedlicher Formen und Profile zu schneiden, wie sie in Werkstätten und allgemeinen mechanischen Rohbauarbeiten eingesetzt werden. Es ist nur ein Bediener erforderlich, um die Maschine zu verwenden, der wie in der Abbildung dargestellt stehen muss.



- Vor Beginn jedes Schneidevorgangs, stellen Sie sicher, dass das Teil fest durch den Schraubstock geklemmt ist und das Ende des Werkstücks in geeigneter Weise abgestützt wird.
- Die folgenden Abbildungen zeigen Beispiele für das ordnungsgemäße Einspannen von verschiedenen Werkstücken unter Einbeziehung der Schnittleistung der Maschine, um einen guten Wirkungsgrad und Lebensdauer des Sägebandes zu erzielen.

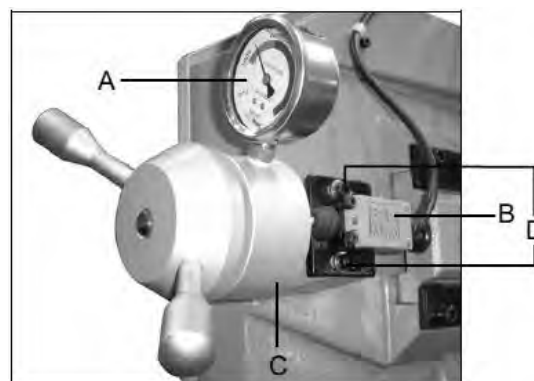


- Verwenden Sie keine Sägebänder, die sich in ihrer Größe von den in den Maschinenspezifikationen dargestellten unterscheiden.
- Wenn das Sägeblatt im Schnitt stecken bleibt, drücken Sie den Arbeitsvorgangs-Startschalter oder die Not-Aus-Taste, um die Maschine auszuschalten. Öffnen Sie den Spannstock langsam, entfernen Sie das Teil und prüfen Sie, ob die Sägeband oder die Zähne zerbrochen sind. Wenn sie gebrochen sind, tauschen Sie das Sägeband aus.
- Überprüfen Sie die Rückstellfeder des Sägerahmens, um ein ordnungsgemäßes Gleichgewicht zu gewährleisten.
- Wenden Sie sich vor der Durchführung jeglicher Reparaturen an der Maschine an ihren Fachhändler.

## 5. EINSTELLUNGEN IHRER MASCHINE

### 5.1 Einstellen der Bandspannung

Die ideale Spannung des Bandes wird durch Drehen des Handrades erzielt, bis die Nadel auf dem Spannungsmessgerät (A) die richtige Bandspannung erreicht. Die Maschine wird nicht normal funktionieren, wenn der Mikroschalter nicht durch Berührung mit der Spannvorrichtung (C) in Gang gebracht wird.



- Ist die Spannung richtig eingestellt, berührt jedoch der Mikroschalter (B) die Vorrichtung nicht oder wird nicht ordnungsgemäß ausgelöst, führen Sie die folgende Anpassung aus.
- Lösen Sie die Stellschrauben (D).
  - Drücken Sie den Mikroschalter (B) in Richtung der Spannvorrichtung (C). Stellen Sie sicher, dass der Kolben richtig gedrückt wird.
  - Ziehen Sie die Stellschrauben (D) fest, um den Mikroschalter (B) zu fixieren.

### 5.2 Einstellen der Sägebandführung

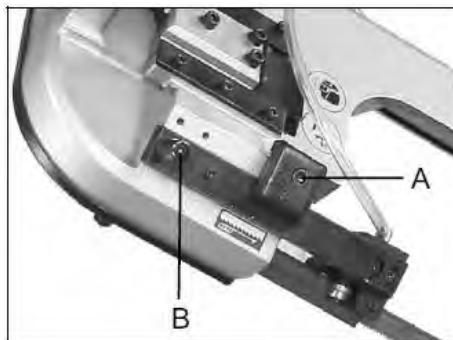
SX-827DGSVI



- Trennen Sie das Gerät von der Stromquelle.
- Lösen Sie Sechskantschraube (L) auf der Bandführungshalter.
- Halten Sie den Griff (M) und verschieben Sie die Bandführungshalter so, dass die Bandführung so nahe wie möglich am Werkstück liegt, ohne den Schneidevorgang zu beeinträchtigen.
- Ziehen Sie die Sechskantschraube (L) fest.
- Schließen Sie das Gerät an eine Stromquelle an.



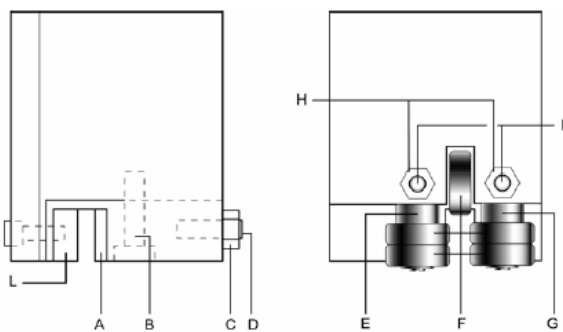
SX-823DGSVI



- Trennen Sie das Gerät von der Stromquelle.
- Verwenden Sie einen Inbusschlüssels, um die Sechskant-Inbusschraube (A) auf dem quadratischen Klemmstück zu lösen.
- Halten Sie den Griff (B), und verschieben Sie den Blattführungsblock so, dass die Blattführung so nahe wie möglich am Werkstück anliegt, ohne den Schneidevorgang zu beeinträchtigen.
- Ziehen Sie die Sechskant-Inbusschraube (A) fest.
- Schließen Sie das Gerät an eine Stromquelle an.

### Sägebandführungen

Das Sägeband wird durch verstellbare Hartmetallführungen geführt, die während der Inspektion wie dargestellt der Dicke des Sägebandes mit minimalem Spiel entsprechend eingestellt werden.



Verwenden Sie ein 0,9mm dickes Sägeband, für die die Sägebandführungen voreingestellt sind. Für Sägebänder einer anderen Dicke muss eine Anpassung durchgeführt werden:

- Lösen Sie die Mutter (C) und die Schraube (B) und lösen Sie die Einstellschraube (D), um den Durchlass zwischen den Bandführungen zu erweitern.
- Lösen Sie die Muttern (H) und die Einstellschraube (I) und drehen Sie die Stifte (E-G), um den Durchgang zwischen den Lagern (F) zu erweitern.
- Um das neue Sägeband zu montieren: legen Sie die Bandführungen (A) auf das Sägeblatt, lösen Sie die Einstellschraube, damit ein Spiel von 0,04 mm für das Sägebandes ermöglicht wird. Ziehen Sie die jeweilige Mutter und Schraube (B) fest, drehen Sie den Bolzen (E -G), bis die Lager am Sägeband wie in der Abbildung dargestellt anliegen und sichern Sie dann die die Einstellschraube (I) und die Mutter (H).
- Vergewissern Sie sich, dass zwischen dem Sägeband und der hinteren Bandführung (L) mindestens 0,2 -0,3 mm Spiel vorhanden ist. Falls notwendig, lösen Sie die Schrauben, mit denen die Schlitten befestigen sind, und passen Sie sie entsprechend an.

**BEVOR SIE DIE FOLGENDEN ARBEITSSCHRITTE DURCHFÜHREN, MÜSSEN DIE STROMVERSORGUNG UND DAS NETZKABEL VOLLSTÄNDIG VOM GERÄT GETRENNT WERDEN.**

### 5.3 Austauschen des Sägebandes



Um das Sägeband auszutauschen:

- Heben Sie den Sägearm an.
- Lösen Sie das Sägeband mittels des Bandspannungshandrads, entfernen Sie die Sägebandschutzvorrichtung, öffnen Sie die Abdeckung des Sägebandkastens und entfernen Sie das alte Sägeband aus den Bandrädern und den Sägebandführungen.
- Setzen Sie das neue Sägeband zwischen die Bandführungen und auf die Bandräder. Überprüfen Sie die Schnittrichtung der Zähne.
- Spannen Sie das Sägeband. Prüfen Sie, ob es ordnungsgemäß auf den Bandrädern sitzt.
- Ersetzen und befestigen Sie die Schutzvorrichtungen für das Sägeband und des Bandrades. Überprüfen Sie, ob die Sicherheitsverriegelungsschalter (N) der Abdeckung aktiviert sind, andernfalls startet die Maschine nicht.

**WARNUNG:** Verwenden Sie Sägebänder mit der gleichen Dicke wie in diesem Handbuch angegeben, um den Werkseinstellungen der Sägebänder zu entsprechen. Für weitere Informationen siehe Kapitel

### 5.4 Sägearm-Hubbegrenzung

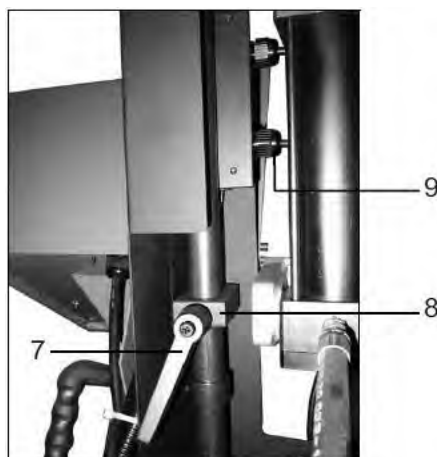
Um einen Leerhub vor Beginn des Schnittes zu vermeiden, kann die Startposition des Sägearms eingestellt werden.

Verfahren Sie wie folgt:

- Öffnen Sie das Armabsenkregulierungsventil (A1) geringfügig.
- Stellen Sie das Sägeband mittels des Sägearm-Anhebe-/Senkschalters (C und D) bis zu 10mm an das Werkstück heran.
- Lockern Sie den Griff (7), um den verstellbaren Anschlag (8) gegen den Endschalter (9) zu lösen.
- Verriegeln Sie den Griff (7)

ACHTUNG:

- Es ist nicht notwendig, den mechanischen Anschlag (8) jedes Mal anzupassen. Bringen Sie das Sägeband mittels der Absenktaste (D) in die Nähe des Werkstücks und starten Sie dann den automatischen Schnittvorgang (F), der aus dieser Position heraus seine Arbeit aufnehmen wird.
- Der Sägearm kehrt zur oberen Hubendlage zurück.

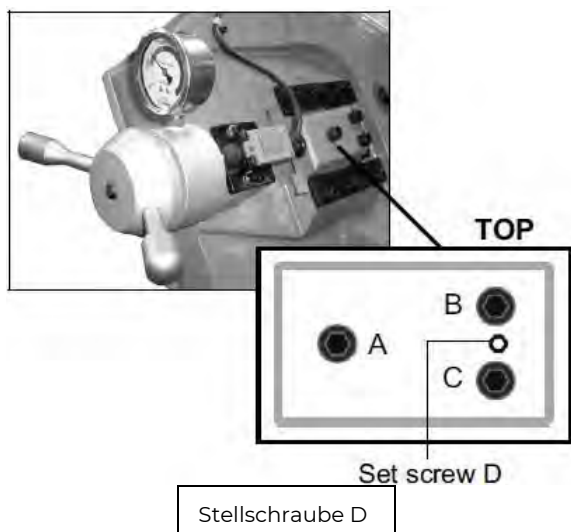


### 5.5 Austauschen des Sägebandes

Um das Sägeband auszutauschen:

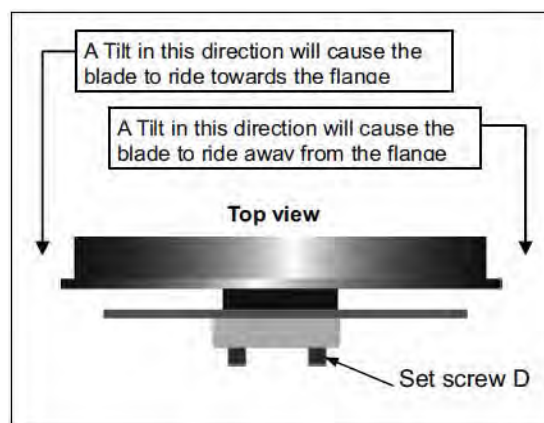
- Heben Sie den Sägearm an.
- Lösen Sie das Sägeband mit dem Handrad, entfernen Sie die mobile Sägeband-Schutzabdeckung, öffnen Sie die Bandradschutzvorrichtungen und entfernen Sie das alte Sägeband aus den Bandführungen und Bandrädern.
- Montieren Sie das neue Sägeband, indem Sie es zunächst zwischen die Bandführungen und dann auf die Rille der Bandräder legen, wobei Sie besonderes Augenmerk auf die Schnittrichtung der Zähne legen müssen.
- Spannen Sie das Sägeband und stellen Sie sicher, dass es perfekt in den Sitz der Bandräder passt.
- Montieren Sie die mobile Sägebandschutzabdeckung und die Schutzabdeckung für die Bandräder und befestigen Sie es. Prüfen Sie, ob der Sicherheits-Mikroschalter aktiviert ist. Andernfalls startet die Maschine nicht, wenn die elektrische Verbindung wiederhergestellt worden ist.

### 5.6 Einstellen des Sägebandes auf die Bandräder



1. Lösen Sie die Sechskantmutter A, B und C.
  2. Verwenden Sie einen Inbusschlüssel bei Stellschraube D, um die Neigung des Bandrades anzupassen.
- Durch das Drehen der Stellschraube D im Uhrzeigersinn wird das Bandrad so geneigt, dass das Sägeband näher an den Flansch rückt.
  - Durch das Drehen der Stellschraube D gegen den Uhrzeigersinn wird das Bandrad so geneigt, dass das Sägeband vom Flansch wegrückt. Wenn das Sägeband zu weit wegrückt, löst es sich während dem Betrieb vom Bandrad.

Nachdem die Anpassung erfolgt ist, befestigen Sie die Sechskantmutter in dieser Reihenfolge: A, B und C.



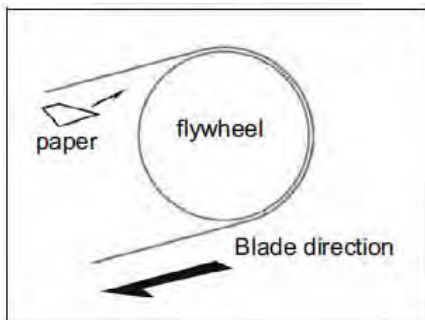
A Neigung in diese Richtung bewirkt ein Hinrücken des Sägebandes zum Flansch

A Neigung in diese Richtung bewirkt ein Wegrücken des Sägebandes vom Flansch

Blick von oben

Stellschraube D

### Überprüfen der Anpassung des Sägebandes



Papier	Bandrad	Sägebandlaufrichtung
--------	---------	----------------------

Verwenden Sie einen Streifen Altpapier und schieben Sie es zwischen das Sägeband und das Bandrad, während es läuft.

- Wenn das Papier geschnitten wird, dann fährt das Sägeband zu dicht an den Flansch.

Justieren Sie.

- Wenn Sie feststellen, dass das Sägeband vom Flansch wegfährt, justieren Sie neu.

**ACHTUNG:** Montieren Sie Sägebänder mit in diesem Handbuch dargelegten Abmessungen und für die Sägeband-Führungsköpfe ausgerichtet wurden. Sehen Sie andernfalls im Kapitel "Beschreibung des Arbeitsvorgangs" unter dem Abschnitt Inbetriebnahme nach.

### 5.7 Austauschen der Sägearmrückstellfeder

- Bei der Durchführung dieser Operation ist es notwendig, den Sägearm mit der Hebevorrichtung zu stützen.
- Ersetzen Sie die Feder durch Lösen der oberen Kupplungsstange und Entfernen von der unteren Zugstange.

## 6. REGELMÄSSIGE SOWIE SPEZIELLE WARTUNGSARBEITEN

DIE UNTEN AUFGEFÜHRTEN WARTUNGSARBEITEN SIND IN TÄGLICHE, WÖCHENTLICHE, MONATLICHE UND HALBJÄHRLICHE ZEITINTERVALLE AUFGETEILT. WENN DIE FOLGENDEN ARBEITSVORGÄNGE VERNACHLÄSSIGT WERDEN, HAT DIES EINEN VORZEITIGEN VERSCHLEIß DER MASCHINEN UND EINE SCHWACHE LEISTUNG ZUR FOLGE.

### 6.1 Tägliche Wartung

- Allgemeine Reinigung der Maschine, um angesammelte Späne zu entfernen.
- Reinigen Sie das Abflussloch für das Kühlschmiermittel, um überschüssige Flüssigkeit zu vermeiden.
- Füllen Sie das Kühlschmiermittel auf.
- Prüfen Sie das Sägeband auf Verschleiß.
- Anheben des Sägerahmens zur höchsten Position und teilweise Lösen der Sägebandspannung, um unnötige Streckspannung zu vermeiden.
- Überprüfen Sie die Funktionalität der Abdeckungen und Sicherheits-mechanismen.

### 6.2 Wöchentliche Wartung

- Gründliche Reinigung der Maschine, um Späne zu entfernen, vor allem vom Schmiermittel-Flüssigkeitsbehälter.
- Entfernen der Pumpe aus dem Gehäuse, Reinigung des Saugfilters und der Saugzone.
- Reinigen Sie den Filter des Pumpensaugkopfs und den Saugbereich.
- Verwenden Sie Druckluft, um die Sägeblattführungen (Führungsleisten und Abflussloch für das Kühlschmiermittel) zu reinigen.
- Reinigen Sie die Bandradgehäuse und die Sägebandführungsflächen auf den Schwungrädern.

### 6.3 Monatliche Wartung

- Prüfen Sie, ob die Motorbandradschrauben fest Motorbandradschrauben angezogen sind.
- Prüfen Sie, ob die Sägebandführungen in einem perfekten Zustand sind.
- Prüfen Sie, ob die Schrauben des Getriebemotors, der Pumpe und der Unfallschutzvorrichtung fest angezogen sind.

### 6.4 Halbjährliche Wartung

- Durchgangsprüfung der Ausrüstung und der Schutzschaltung.

### 6.5 Allgemeine Hinweise von anderen

#### Maschinenteilen

Das Getriebegehäuse des Schneckengetriebes, das an der Maschine montiert ist, ist durch seine Herstellung garantiert wartungsfrei.

### 6.6 Öle für Kühlschmiermittel

Angesichts der breiten Palette von Produkten auf dem Markt kann der Benutzer das Kühlschmiermittel wählen, das am besten seinem eigenen Bedarf entspricht, wobei der Typ SHELL LUTEM ÖL ECO als Referenz dient. DER MINDESTANTEIL VON IN WASSER VERDÜNNTEM ÖL BETRÄGT 8 -10%.

### 6.7 Ölentsorgung

Die Entsorgung dieser Produkte wird durch strenge Vorschriften geregelt. Bitte beachten Sie den Abschnitt Demontage im Kapitel "Abmessungen der Maschine Transport Installation".

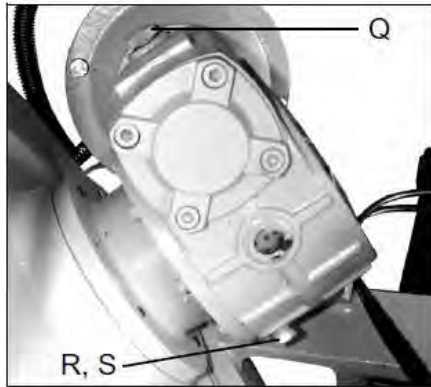
### 6.8 Kühlmittelsystem



Reinigung des Behälters

- Verwenden Sie einen Inbusschlüssel, um die Ablassschraube zu öffnen, damit das Kühlmittel ablaufen kann.
- Entfernen Sie den Schlauch und den Filter (N).
- Entfernen Sie die Pumpe (P) durch Lösen der 2 Stellschrauben.
- Verwenden Sie einen Staubsauger, um Späne und Schmutz aus dem Tank zu entfernen.
- Setzen Sie die Ablassschraube wieder ein. Reinigen Sie die Pumpe (P) und setzen Sie sie wieder ein.
- Füllen Sie den Tank mit Kühlmittel bis zu einem Stand von ca. 25 mm unterhalb des Filters.
- Setzen Sie den Schlauch und den Filter wieder ein.

### 6.9 Das Getriebegehäuse



Beim Getriebegehäuse muss regelmäßig ein Ölwechsel vorgenommen werden. Das Öl muss 6 Monate nach der ersten Nutzung und anschließend in jährlichem Abstand gewechselt werden.

Um das Getriebeöl zu wechseln

- Trennen Sie das Gerät von der Stromquelle.
- Heben Sie den Sägearm in eine vertikale Position
- Lösen Sie den Abflussgriff (R) durch Lösen der Innensechskantschraube (S), um das Getriebeöl abfließen zu lassen.
- Bringen Sie die Schraube (S) wieder an, nachdem das Öl vollständig abgeflossen ist.
- Bringen Sie den Sägearm wieder in seine horizontale Position zurück.
- Füllen Sie das Getriebegehäuse durch das Loch der Entlüftungsschraube(Q) mit ca. 0,3 Liter Getriebeöl

Als Referenz gilt SHELL Typ Getriebeöl oder Mobile Getriebeöl # 90.




### 6.10 Spezielle Wartungsarbeiten

Spezielle Wartungsarbeiten müssen durch qualifiziertes Personal durchgeführt werden. Wir empfehlen Ihnen, sich an Ihren Fachhändler und / oder Importeur zu wenden. Auch das Rücksetzen von Schutz- und Sicherheitsvorrichtungen und -geräten (des Reduktionsstücks), des Motors, der Pumpe und von anderen elektrischen Komponenten erfordert eine spezielle Wartung.

**7. TECHNISCHE DATEN**

**7.1 Tabelle zu Schnittleistung und technischen Details**




SX-823DGSVI

Schnittkapazität			
90°	220	210	260x110
45°	150	140	145x125
60°	90	85	90x85
45° (L)	110	110	160x45

Bandmotor	1.1kW
Sägebandabmessung	27x0,9x2460mm
Schnittgeschwindigkeit	20~85 m/min
Gewicht	380 kg

SCHNITTLISTUNG	SÄGEBANDMOTOR
	SÄGEBANDGRÖSSE
	SÄGEBANDGESCHWINDIGKEIT
	MASCHINENGEWICHT

SX-827DGSVI

CUTTING CAPACITY			
0°	265	260	350x220
45° (R)	230	150	240x110
60° (R)	135	90	130x90
45° (L)	210	160	170x105

Bandmotor	1.5kW
Durchmesser Schwungrad	380mm
Sägebandabmessung	27x0,9x3160mm
Schnittgeschwindigkeit	20~85 m/min
Öffnung Schraubstock	355mm
Neigung Sägearm	40°
Höhe Aufspanntisch	860mm
Gewicht	460 kg

SCHNITTLISTUNG	BANDMOTOR
	BANDRAD-DURCHMESSER
	SÄGEBAND-ABMESSUNGEN
	SÄGEBAND-SCHNITTGESCHWINDIGKEIT
	SPANNSTOCK-ÖFFNUNG
	SÄGEARM-NEIGUNG
	ARBEITSTISCH-HÖHE
	MASCHINENGEWICHT

STAHLTYPEN						MERKMALE		
VERWENDUNG	I UNI	D DIN	F AF NOR	GB SB	USA AISI-SAE	Härte BRINELL HB	Härte ROCKWELL HRB	R=N/mm <sup>2</sup>
Baustähle	Fe360	St37	E24	---	---	116	67	360÷480
	Fe430	St44	E28	43	---	148	80	430÷560
	Fe510	St52	E36	50	---	180	88	510÷660
Kohlenstoffstähle	C20	CK20	XC20	060 A 20	1020	198	93	540÷690
	C40	CK40	XC42H1	060 A 40	1040	198	93	700÷840
	C50	CK50	---	---	1050	202	94	760÷900
	C60	CK60	XC55	060 A 62	1060	202	94	830÷980
Federstähle	50CrV4	50CrV4	50CV4	735 A 50	6150	207	95	1140÷1330
	60SiCr8	60SiCr7	---	---	9262	224	98	1220÷1400
Stähle zum Härten, Anlassen und zum Nitrieren	35CrMo4	34CrMo4	35CD4	708 A 37	4135	220	98	780÷930
	39NiCrMo4	36CrNiMo4	39NCD4	---	9840	228	99	880÷1080
	41CrAlMo7	41CrAlmo7	40CADG12	905 A 39	---	232	100	930÷1130
Legierte Einsatzstähle	18NiCrMo7	---	20NCD7	En 325	4320	232	100	760÷1030
	20NiCrMo2	21NiCrMo2	20NCD2	805 H 20	4315	224	98	690÷980
Legierte Stähle für Lager	100Cr6	100Cr6	100C6	534 A 99	52100	207	95	690÷980
Werkzeugstahl	52NiCrMoKU	56NiCrMoV7C100K	---	---	---	244	102	800÷1030
	C100KU	C100W1	---	BS 1	S-1	212	96	710÷980
	X210Cr13KU	X210Cr12	Z200C12	BD2-BD3	D6-D3	252	103	820÷1060
	58SiMo8KU	---	Y60SC7	---	S5	244	102	800÷1030
Edelstähle	X12Cr13	4001	---	---	410	202	94	670÷885
	X5CrNi1810	4301	Z5CN18.09	304 C 12	304	202	94	590÷685
	X8CrNi1910	---	---	---	---	202	94	540÷685
	X8CrNiMo1713	4401	Z6CDN17.12	316 S 16	316	202	94	490÷680
Kupferlegierungen Sondermessing Bronze	Aluminium Kupfer-Legierung G-CuAl11Fe4Ni4 UNI 5275					220	98	620÷685
	Sondermangan / Siliziummessing G-CuZn36Si1Pb1 UNI5038					140	77	375÷440
	Manganbronze SAE43 – SAE430					120	69	320÷410
	Phosphorbronze G-CuSn12 UNI 7013/2a					100	56,5	265÷314
Gusseisen	Gray pig iron		G25			212	96	245
	Spheroidal graphite cast iron		GS600			232	100	600
	Malleable cast iron		W40-05			222	98	420



## 8. MATERIALEINSTUFUNG UND WAHL DES WERKZEUGES

Da es das Ziel ist, eine hervorragende Schnittqualität zu erreichen, muss der Benutzer verschiedene Sägebänder und unterschiedliche Geschwindigkeiten (Laufgeschwindigkeiten des Bandes) auswählen und die Senkgeschwindigkeit des Sägearmes zum Schneiden Materials unterschiedlicher Härte, Form und Dicke kontrollieren. Diese Angaben müssen daher harmonisch den jeweiligen praktischen Erwägungen entsprechend und dem gesunden Menschenverstand folgend in einem einzelnen Betriebszustand vereint werden, um so einen optimalen Zustand erreichen, der keine unzählige Arbeitsvorgänge an der Maschine benötigt, um die Maschine vorzubereiten, wenn es viele Varianten im auszuführenden Arbeitsvorgang geben sollte. Die verschiedenen Probleme, die von Zeit zu Zeit auftauchen, können leichter gelöst werden, wenn der Betreiber eine gute Kenntnis dieser Spezifikationen besitzt.

### 8.1 Definitionen von Materialien

Die oben stehende Tabelle listet die Eigenschaften der zu schneidenden Materialien auf. Der Benutzer muss das richtige Sägebänder und die richtige Geschwindigkeit für das Schneiden von verschiedenen Materialien auswählen.

### 8.2 Auswahl des Sägebändes

Zunächst muss der Abstand der Zähne gewählt werden, oder genauer gesagt, die Anzahl der Zähne pro Zoll (25,4 mm), die sich für das zu schneidende Material am besten eignet. Folgen Sie dabei diesen Kriterien:

- Werkstücke mit einem dünnen und /oder variablen Querschnitt wie Profile, Rohre und Platten erfordern engangliegende Zähne, so dass die Anzahl der Zähne, die gleichzeitig beim Schneiden verwendet werden, zwischen 3 und 6 liegt;
- Werkstücke mit großen Querschnitten und Vollprofilen erfordern weiter auseinander liegende Zähne, um ein größeres Volumen der Späne zu berücksichtigen und ein besseres Vordringen der Zähne zu ermöglichen;
- Werkstücke aus weichem Material oder Kunststoffe (Leichtmetalle, Mildbronze, Teflon, Holz, etc.) erfordern ebenfalls weit auseinander liegende Zähne;
- In Bündeln geschnittene Stücke erfordern eine wechselnde Anordnung der Zähne.

### 8.3 Abstände der Zähne

Wie bereits erwähnt hängt dies von folgenden Faktoren ab:

- Härte des Materials
- Abmessungen des Querschnitts
- Wandstärke

TABELLE ZUR ZÄHNEAUSWAHL FÜR DAS SÄGEBANDES		
DICKE mm	Z FORTLAUFENDE ZAHNANORDNUNG	Z WECHSELNDE ZAHNANORDNUNG
BIS 1,5	14	10/14
VON 1 BIS 2	8	8/12
VON 2 BIS 3	6	6/10
VON 3 BIS 5	6	5/8
VON 4 BIS 6	6	4/6
MEHR ALS 6	4	4/6



S=DICKE

SOLIDER Ø ODER L mm	Z FORTLAUFENDE ZAHNANORDNUNG	Z WECHSELNDE ZAHNANORDNUNG
BIS 30	8	5/8
VON 30 BIS 60	6	4/6
VON 40 BIS 80	4	4/6
MEHR ALS 90	3	3/4



Ø = DURCHMESSER L  
= BREITE

#### 8.4 Schnitt- und Vorschubgeschwindigkeit

Die Schnittgeschwindigkeit (m/min) und die Vorschubgeschwindigkeit (cm<sup>2</sup>/min = beim Entfernen von Spänen von Scheibe durchquerte Fläche) werden durch die Entwicklung von Wärme in der Nähe der Spitzen der Zähne begrenzt.

- Die Schnittgeschwindigkeit ist abhängig vom Widerstand des Materials ( $R = N/mm^2$ ), seiner Härte (HRC) und den Abmessungen der breitesten Stelle.
- Eine zu hohe Vorschubgeschwindigkeit (= Senkung des Sägearmes) kann dazu führen, dass die Scheibe von seiner idealen Schnittbahn abweicht und nicht geradlinige Schnitte sowohl auf der vertikalen als auch der horizontalen Ebene erzeugt.

Die optimale Verbindung dieser beiden Parameter ist unmittelbar bei der Prüfung der Späne zu erkennen.

Lange spiralförmige Späne weisen auf einen optimalen Schnitt hin.

Sehr feine oder pulverisierte Späne weisen auf einen Mangel an Vorschub- und/oder Schnittdruck hin.

Dicke und / oder blaue Späne weisen auf eine Überlastung des Sägebändes hin.

#### 8.5 Einlaufen des Sägebändes

**Beim ersten Schnitt ist es ratsam, das Sägeband einlaufen zu lassen, indem eine Reihe von Schnitten bei niedriger Vorschubgeschwindigkeit (= 30-35 cm<sup>2</sup>/min auf Material von mittlerer Größe in Bezug auf die Schnittleistung und den soliden Querschnitt von normalem Stahl mit  $R = 410-510 \text{ N/mm}^2$ ) durchgeführt werden. Besprühen Sie die Schnittfläche großzügig mit Kühlschmiermittel.**

### 8.6 Sägeband-Struktur

Bi-Metall-Sägebänder werden am häufigsten verwendet. Sie bestehen aus einer Silizium-Stahlchicht von einem Laser verschweißten Schnellarbeitsstahl (HHS) Schneide. Die Art der Bestände sind in M2, M42, M51 klassifiziert und unterscheiden sich durch ihre große Härte voneinander, die auf den zunehmenden Prozentsatz von Cobalt (Cc) und Molybdän (Mo), die in der Metall-Legierung enthalten sind, zurückzuführen sind.

### 8.7 Sägeband-Typ

Sie unterscheiden sich im Wesentlichen in ihren konstruktiven Merkmalen, wie z.B.:

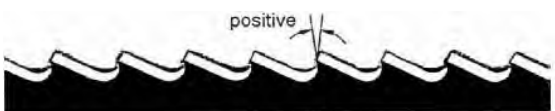
- Form und Schnittwinkel des Zahns
- Abstand
- Aufstellung

Form und Winkel des Zahnes REGULÄRER ZAHN:  
 $0^\circ$  Rechen und konstanter Abstand.



Häufigste Form für transversales oder schräges Schneiden von festen kleinen und mittleren Querschnitten oder Rohren, laminierten Stahl und Grauguss oder allgemeinen Metall.

POSITIVER RECHENZAHN:  $9^\circ$ - $10^\circ$  positive Rechen und konstanter Abstand.

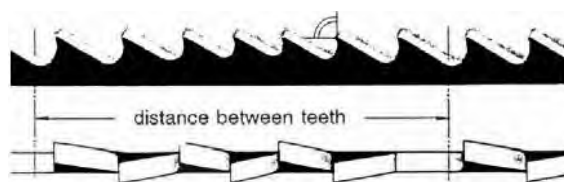


positiv

Besondere Verwendung für Quer-oder Schrägschnitte in Voll-oder Großrohre, sondern vor allem härteren Materialien (hoch legierten und nichtrostenden Stählen, spezielle Bronze-und Schmiede Roheisen)

Vermischte Zahnordnung:

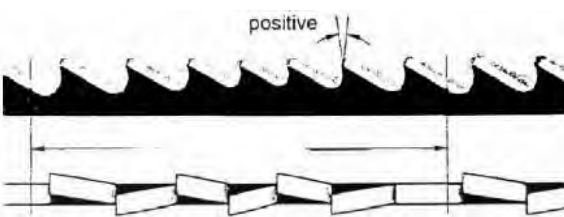
Der Abstand zwischen den Zähnen variiert, was sich auch die Zahngröße und die Tiefen der Ablaufrinne unterscheiden. Der Abstand variiert zwischen den Zähnen, was einen weicheren und leiseren Schnitt und eine längere Lebensdauer aufgrund des Mangels an Vibrationen gewährleistet.



Abstand zwischen Zähnen

Ein weiterer Vorteil, der eine Verwendung dieser Art von Sägebändern bietet, liegt darin, dass es mit einem einzigen Sägeblatt möglich ist, eine breite Palette von Materialien unterschiedlicher Größe und Art zu schneiden.

Vermischte Zahnordnung:  $9^\circ$  - $10^\circ$  positiver Rechen.



positiv

Diese Art von Sägebändern ist am besten für das Schneiden von Querschnittsleisten und großen und dicken Rohren sowie zum Schneiden von Vollmaterial bei maximaler Maschinenleistung geeignet. Mögliche Abstände: 3-4/4-6.

**AUFSTELLUNGEN**

Aus der Fläche des Sägekörpers gebogene Sägezähne, was zu einem weiten Schnitt ins Werkstück führt.

**NORMAL- ODER RECHENAUFSTELLUNG :**

Schneidezähne rechts und links, abgewechselt durch einen geraden Zahn.



Für den allgemeinen Gebrauch bei Materialien mit Ausmaßen über 5 mm. Verwendet beim Schneiden von Stahl, Guss und harten eisenfreien Materialien.

**WELLENAUFSTELLUNG:** Aufstellung in glatten Wellen.



Diese Aufstellung zeichnet sich durch sehr feine Zähne aus und wird vor allem für das Schneiden von Rohren und dünnen Profilstäben (1 bis 3 mm) verwendet.

**ALTERNATIVE AUFSTELLUNG (IN GRUPPEN):**

Gruppen von Schneidezähnen rechts und links, abgewechselt durch einen geraden Zahn.



Diese Aufstellung zeichnet sich durch sehr feine Zähne aus und wird für extrem dünnes Material (1 mm) verwendet.

**ALTERNATIVE AUFSTELLUNG**

( EINZELNE ZÄHNE):

Schneidezähnen rechts und links.



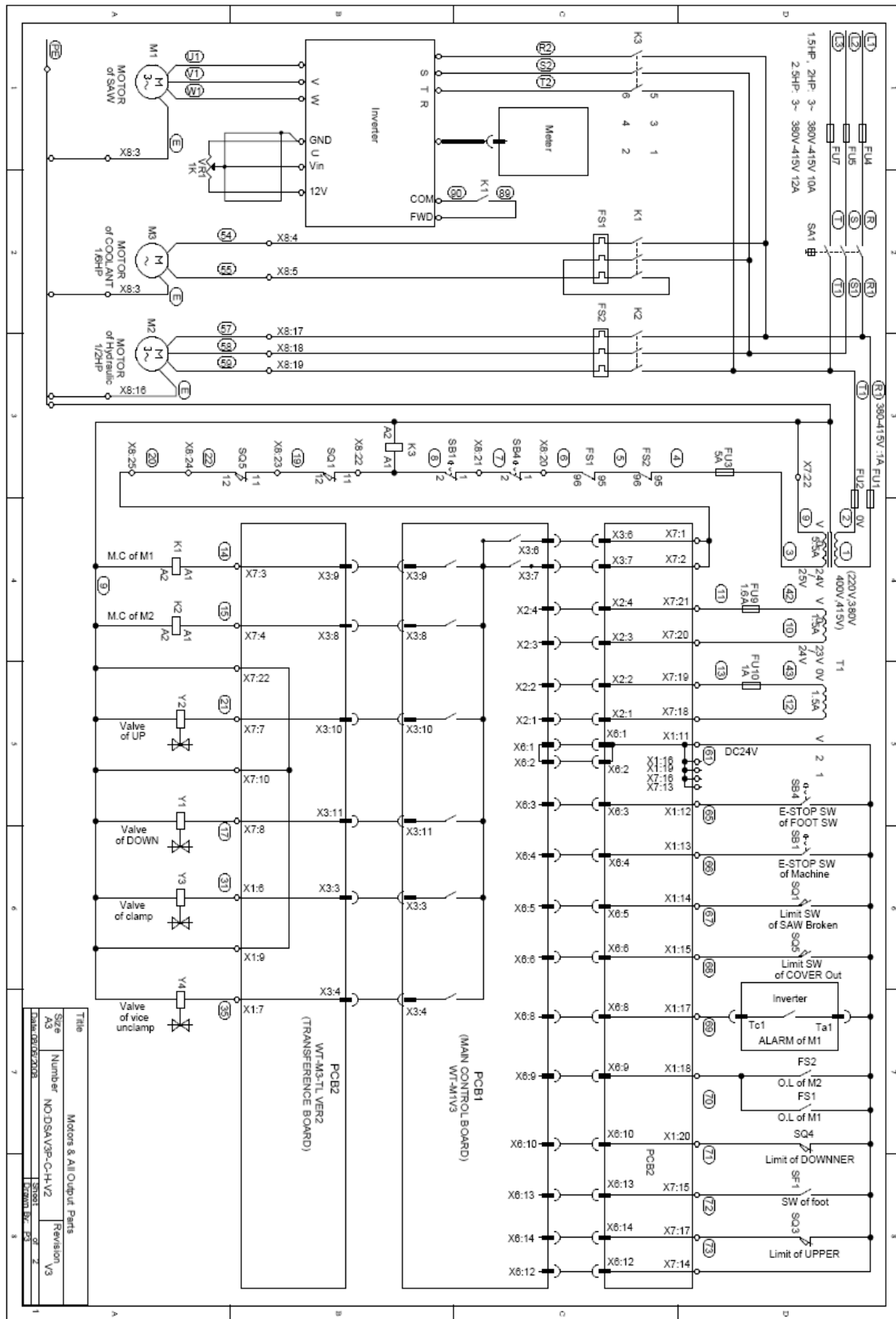
Diese Aufstellung wird für das Schneiden von eisenfreien weichen Materialien, Plastik und Holz verwendet.

**9. GERÄUSCHMESSUNGEN**

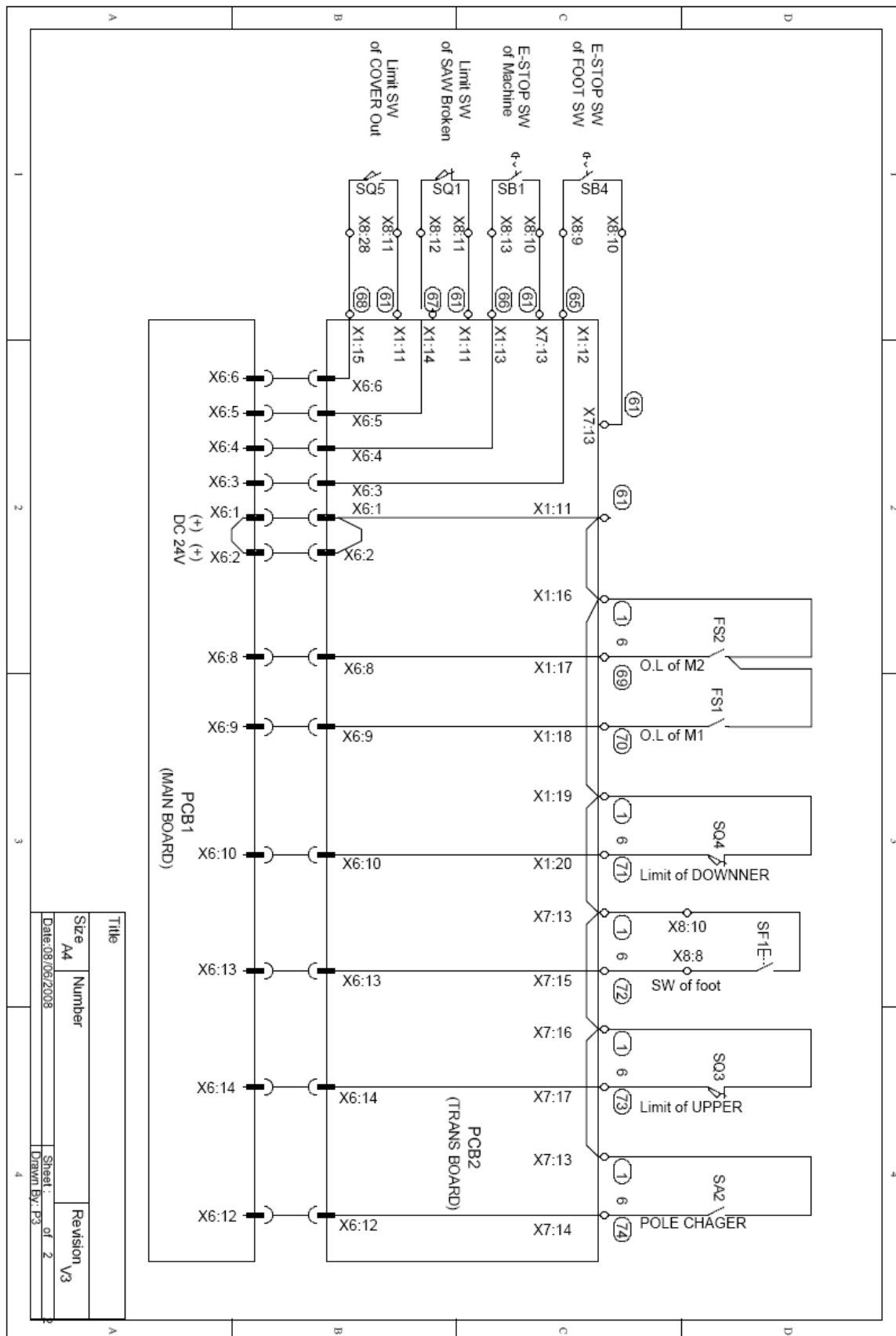
Der Test wurde bei einem Umgebungslärmniveau von 65dB durchgeführt. Geräuschmessungen an der Maschine beim Entladungsvorgang betrug 71dB. Der Geräuschpegel beim Schneiden von leichtem Kohlenstoffstahl betrug 73dB.

Hinweis: Während des Betriebs der Maschine variiert der Geräuschpegel je nach den unterschiedlichen zu bearbeitenden Materialien. Der Benutzer muss deshalb die Intensität prüfen und gegebenenfalls die Betreiber mit dem notwendigen persönlichen Schutz ausstatten, der durch das Gesetz 277/1991 erforderlich gemacht wird.

ELECTRICAL DIAGRAM / ELEKTRISCHE ANLAGE / SCHÉMA ÉLECTRIQUE  
SX-823DGSVI

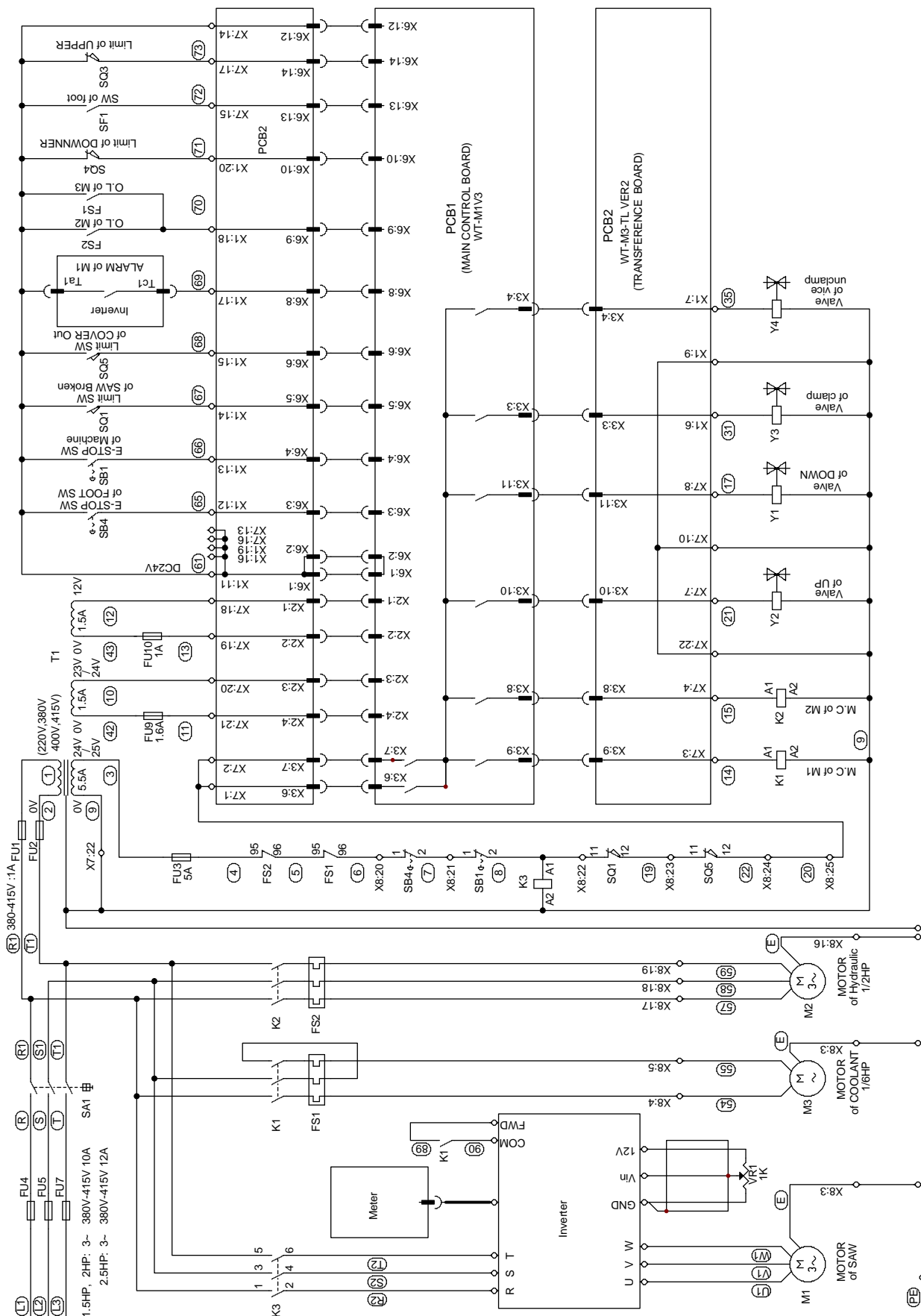


ELECTRICAL DIAGRAM / ELEKTRISCHE ANLAGE / SCHÉMA ÉLECTRIQUE  
SX-823DGSVI

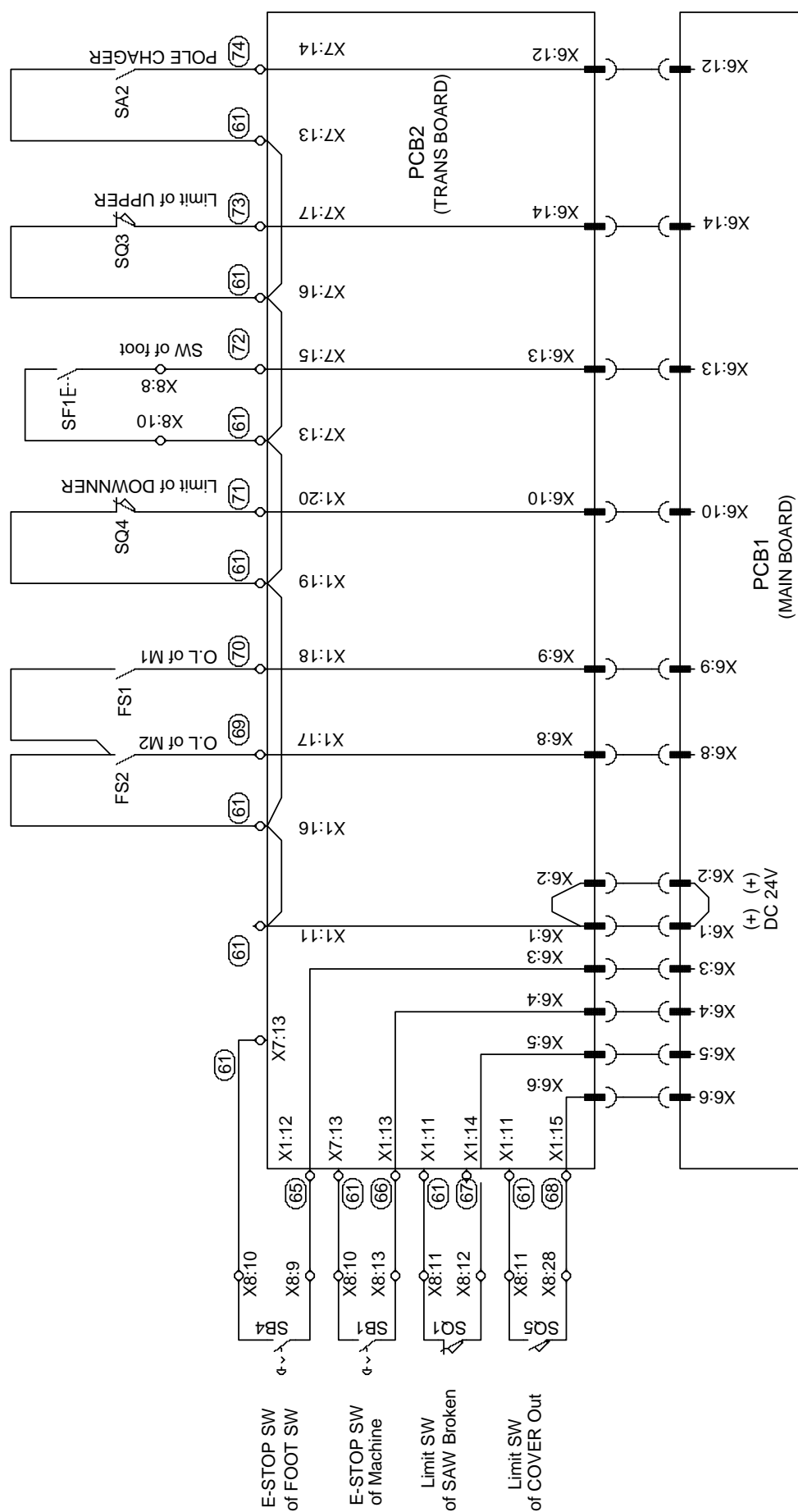


Title	
Size A4	Number
Date:08/06/2008	Revision V3
Sheet 2 of 2	Drawn By: P3

ELECTRICAL DIAGRAM / ELEKTRISCHE ANLAGE / SCHÉMA ÉLECTRIQUE  
SX-827DGSVI



ELECTRICAL DIAGRAM / ELEKTRISCHE ANLAGE / SCHÉMA ÉLECTRIQUE  
SX-827DGSVI





## 11 FEHLERBEHEBUNG

Dieses Kapitel listet die wahrscheinlichen Fehler und Störungen auf, die auftreten können, wenn die Maschine in Betrieb ist, und weist auf mögliche Lösungen hin.

### 11.1 Sägeband und Schnittdiagnose

#### FEHLER

##### ZAHNBRUCH



#### MÖGLICHE URSACHE

Zu schneller Vorschub

Falsche Schnittgeschwindigkeit

Falscher Zahnabstand

Späne bleiben an Zähnen oder in der Ablaufrinne stecken oder schmierendes Material

Mängel am Material oder Material zu hart

Unwirksame Fixierung des Werkstücks im Spannstock  
Das Sägeband bleibt im Material stecken

Schnitt auf scharfen oder unregelmäßigen Profilstäben

Sägeband von schlechter Qualität

Gebrochener Zahn im Schnitt stecken geblieben

#### ABHILFE

Reduzieren Sie den Vorschub, um weniger Schnittdruck auszuüben. Stellen Sie die Absenkvorrichtung entsprechend ein

Ändern Sie die Geschwindigkeit und / oder die Art des Sägebandes. Siehe Abschnitt *Sägebandauswahl gemäß Schnitt- und Vorschubgeschwindigkeit* im Kapitel "Materialklassifizierung und Sägebandauswahl"

Wählen Sie ein geeignetes Sägeband aus. Siehe Kapite "Materialklassifikation und Sägebandauswahl".

Prüfen Sie, ob die Auslaufflöcher des Kühlmittels auf den Bandführungsblöcken verstopft sind und ob ein ausreichender Durchfluss gewährleistet ist, um die Entfernung von Spänen von dem Sägeband zu erleichtern.

Materialoberflächen können oxidiert oder mit Verunreinigungen bedeckt sein, so dass sie am Anfang des Schnitts härter als das Sägeband selbst sind, oder haben Verhärtungen oder Einschlüsse innerhalb des Querschnitts aufgrund von produktiven Mitteln wie Formsand, Schweißabfällen etc. Vermeiden Sie es, solche Materialien zu schneiden oder wenden Sie beim Schnitt äußerste Sorgfalt an. Reinigen und entfernen Sie solche Verunreinigungen so schnell wie möglich.

Überprüfen Sie die Fixierung des Werkstücks.  
Reduzieren Sie den Vorschub und üben Sie weniger Schnittdruck aus.

Seien Sie aufmerksamer, wenn Sie mit dem Schneiden beginnen

Verwenden Sie ein Sägeband hoher Qualität.

Entfernen Sie gründlich alle noch enthaltenen Stücke.

## FEHLER



## MÖGLICHE URSACHE

Schnitt auf einer vorher begonnenen Auskehlung forgesetzt

Vibrationen

Falscher Zahnabstand oder -form

Unzureichende Schmierung, Kältemittel oder falsche Emulsion

Zähne in die entgegengesetzte Richtung zur Schnittrichtung positioniert

## ABHILFE

Schneiden Sie an einer anderen Stelle oder drehen Sie das Stück um.

Überprüfen Sie die Fixierung des Werkstücks.

Ersetzen Sie das Sägeband durch ein geeigneteres Modell. Siehe *Sägebandtypen* unter "Materialklassifikation und Sägebandauswahl".

Prüfen Sie den Flüssigkeitsstand im Behälter. Erhöhen Sie den Durchfluss des Kühlschmiermittels und stellen Sie sicher, dass das Loch und das Flüssigkeitsauslaufrohr nicht blockiert sind. Prüfen Sie den Emulsion-Prozentsatz.

Drehen Sie die Zähne in die korrekte Richtung.

**VORZEITIGER SÄGEBAND  
VERSCHLEISS**


Fehlerhaftes Einlaufen des Sägebandes

Zähne in die entgegengesetzte Richtung zur Schnittrichtung positioniert

Sägeband von schlechter Qualität

Zu schneller Vorschub

Falsche Schnittgeschwindigkeit

Mängel am Material oder Material zu hart

Siehe Einlaufen des Sägebandes unter "Materialklassifikation und Sägebandauswahl"

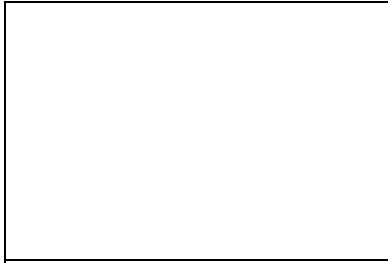
Drehen Sie die Zähne in die korrekte Richtung.

Verwenden Sie ein Sägeband hoher Qualität.

Reduzieren Sie den Vorschub, um weniger Schnittdruck auszuüben. Stellen Sie die Bremsvorrichtung entsprechend ein.

Ändern Sie die Geschwindigkeit und / oder die Art des Sägebandes. Siehe Abschnitt Sägebandauswahl gemäß Schnitt- und Vorschubgeschwindigkeit im Kapitel "Materialklassifizierung und Sägebandauswahl"

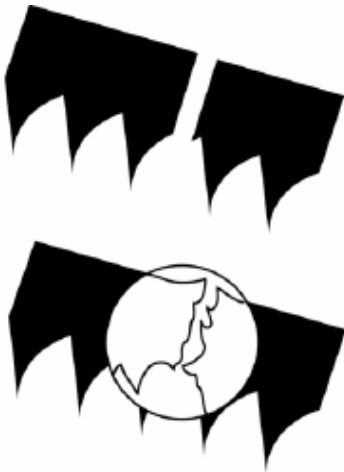
Materialoberflächen können oxidiert oder mit Verunreinigungen bedeckt sein, so dass sie am Anfang des Schnitts härter als das Sägeband selbst sind, oder haben Verhärtungen oder Einschlüsse innerhalb des Querschnitts aufgrund von produktiven Mitteln wie Formsand, Schweißabfällen etc. Vermeiden Sie es, solche Materialien zu schneiden oder wenden Sie beim Schnitt äußerste Sorgfalt an. Reinigen und entfernen Sie solche Verunreinigungen so schnell wie möglich.

**FEHLER****MÖGLICHE URSACHE**

Unzureichende Schmierung,  
Kältemittel oder falsche Emulsion

**ABHILFE**

Prüfen Sie den Flüssigkeitsstand im Behälter. Erhöhen Sie den Durchfluss des Kühlschmiermittels und stellen Sie sicher, dass das Loch und das Flüssigkeitsablaufrohr nicht blockiert sind. Prüfen Sie den Emulsion-Prozentsatz.

**SÄGEBAND BRUCH**

Fehlerhafte Verschweißung des Sägebandes

Die Verschweißung des Sägebandes ist von größter Bedeutung. Das aufeinander treffenden Flächen müssen optimal aufeinander abgestimmt und dürfen keinerlei Einschlüsse oder Blasen aufweisen, nachdem sie verschweißt wurden. Die verschweißten Teile müssen vollkommen glatt und eben sein. Sie müssen gleichmäßig dick sein und keine Beulen aufweisen, die beim Gleiten zwischen den Sägebandführungsblöcken zu Dellen oder sofortigem Bruch führen können.

Zu schneller Vorschub

Reduzieren Sie den Vorschub, um weniger Schnittdruck auszuüben. Stellen Sie die Bremsvorrichtung entsprechend ein.

Falsche Schnittgeschwindigkeit

Ändern Sie die Geschwindigkeit und /oder die Art des Sägebands.

Falscher Zahnabstand

Siehe Abschnitt Sägebandauswahl gemäß Schnitt- und Vorschubgeschwindigkeit im Kapitel "Materialklassifizierung und Sägebandauswahl"

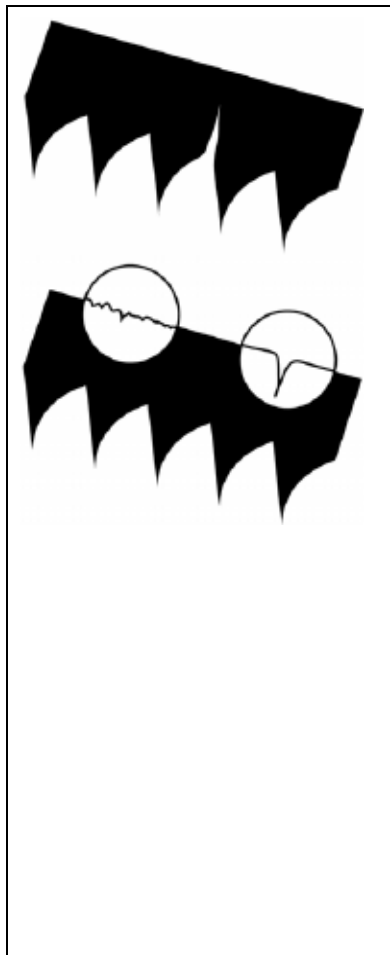
Unwirksame Fixierung des Werkstücks im Spannstock

Wählen Sie ein geeignetes Sägeband aus. Siehe Kapitel "Materialklassifikation und Sägebandauswahl"

Sägeband berührt Material zu Beginn des Schnitts

Überprüfen Sie die Fixierung des Werkstücks.  
Senken Sie bei Beginn des Schneideprozesses niemals den Sägebogen, bevor Sie den Sägebandmotor starten.

## FEHLER



## MÖGLICHE URSACHE

Sägeband-Führungen aufgrund mangelnder Wartung nicht eingestellt oder verschmutzt

Sägebandführungsblock zu weit vom zu schneidenden Material entfernt

Falsche Position des Sägebandes auf Schwungrädern

Unzureichende Schmierung, Kältemittel oder falsche Emulsion

## ABHILFE

Überprüfen Sie die Abstände zwischen den Leisten (siehe Abschnitt *Sägebandführungsblöcke* im Kapitel "Anpassen der Maschine"): Eine extrem genaue Führung kann zu Rissen und Brüchen an den Zähnen führen. Lassen Sie bei der Reinigung äußerste Vorsicht walten.

Platzieren Sie den Kopf so nahe wie möglich am zu schneidenden Material, so dass nur der Abschnitt des Sägebandes, das für den Schnitt benötigt wird, frei liegt. Dies hilft bei der Vermeidung von Krümmungen, die das Sägeband übermäßig beanspruchen würden.

Die Rückseite des Sägebandes reibt aufgrund verformter oder schlecht verschweißter Bänder (konisch) gegen die Abstützvorrichtung, was zu Rissen und Anschwellung der hinteren Profils führt.

Prüfen Sie den Flüssigkeitsstand im Behälter. Erhöhen Sie den Durchfluss des Kühlschmiermittels und stellen Sie sicher, dass das Loch und das Flüssigkeitsablaufrohr nicht blockiert sind. Prüfen Sie den Emulsion-Prozentsatz.

**GESTREIFTE ODER GEÄTZTE BÄNDER**

Beschädigte oder angeschlagene Sägebandführungen

Enge oder erschlaffte Sägebandführungen

Tauschen Sie sie aus.

Stellen Sie sie neu ein. (siehe Abschnitt *Sägebandführung* im Kapitel "Anpassen der Maschine")

**SCHNEIDET GERADE AB**

Sägeband nicht parallel zu Gegenspannstock

Sägeband nicht senkrecht aufgrund übermäßigen Spiels zwischen den Bandführungen und einer Fehlanpassung der Blöcke

Zu schneller Vorschub

Verschlissenes Sägeband

Überprüfen Sie die Befestigung der Sägebandführungsblöcke zum Gegenspannstock, so dass sie nicht zu locker sind und positionieren Sie die Blöcke vertikal. Bringen Sie sie auf eine Linie und passen Sie die Anschlagsschrauben der Gradschnitte an, falls notwendig.

Prüfen Sie und justieren Sie die Sägebandführungsblöcke vertikal; setzen Sie auf angemessenes Führungsspiel zurück (siehe Abschnitt *Sägebandführung* im Kapitel "Anpassen der Maschine").

Reduzieren Sie den Vorschub, um weniger Schnittdruck auszuüben.

Stellen Sie die Absenkgeschwindigkeit korrekt ein. Platzieren Sie es so nahe wie möglich am zu schneidenden

**FEHLER****MÖGLICHE URSACHE****ABHILFE**

Falscher Zahnabstand

Gebrochene Zähne

Unzureichende Schmierung,  
Kältemittel oder falsche  
Emulsion

Material, so dass nur der Abschnitt des Sägebandes, das für den Schnitt benötigt wird, frei liegt. Dies hilft bei der Vermeidung von Krümmungen, die das Sägeband übermäßig beanspruchen würden.

Tauschen Sie das Band aus. Wenn ein Sägeband mit hoher Zahndichte verwendet wird, versuchen Sie es mit einem mit weniger Zähnen (siehe Abschnitt *Sägebandtypen* im Kapitel "Materialklassifikation und Sägebandauswahl").

Unregelmäßige Arbeit des Sägebandes aufgrund des Fehlens von Zähnen kann zu Krümmungen im Schnitt führen; überprüfen Sie das Sägeband und ersetzen Sie es, falls notwendig.

Prüfen Sie den Flüssigkeitsstand im Behälter. Erhöhen Sie den Durchfluss des Kühlschmiermittels und stellen Sie sicher, dass das Loch und das Flüssigkeitsablaufrohr nicht blockiert sind. Prüfen Sie den Emulsion-Prozentsatz.

**FEHLERHAFTER SCHNITT**

Verschlossene Bandräder  
Bandradgehäuse voller Späne

Die Hilfs- und Führungsflansch des Bands sind derartig verschlissen, dass sie nicht mehr die Ausrichtung des Sägebandes sicherstellen kann, was fehlerhaftes Schneiden verursacht. Die Sägebandlager und Führungen können sich kegelförmig verformt haben. Ersetzen Sie sie. Reinigen Sie mit Druckluft.

**FEHLER****GESTREIFTE  
SCHNITTOBERFLÄCHE****MÖGLICHE URSACHE**

Zu schneller Vorschub

Sägeband von schlechter Qualität

Verschlissenes Sägeband oder  
angeschlagene und/oder  
gebrochene Zähne

Falscher Zahnabstand

Sägebandführungsblock zu weit  
vom zu schneidenden Material  
entfernt

Unzureichende Schmierung,  
Kältemittel oder falsche Emulsion

**ABHILFE**

Reduzieren Sie den Vorschub, um  
weniger Schnittdruck auszuüben.  
Stellen Sie die Bremsvorrichtung  
entsprechend ein.

Verwenden Sie ein Sägeband hoher  
Qualität.

Tauschen Sie es aus.

Das verwendete Sägeband hat  
vermutlich zu große Zähne.  
Verwenden Sie eins mit mehr Zähnen  
(siehe Abschnitt Sägebandtypen im  
Kapitel "Materialklassifikation und  
Sägebandauswahl")

Platzieren Sie es so nahe wie möglich  
am zu schneidenden Material, so dass  
nur der Abschnitt des Sägebandes,  
das für den Schnitt benötigt wird, frei  
liegt. Dies hilft bei der Vermeidung  
von Krümmungen, die das Sägeband  
übermäßig beanspruchen würden.

Prüfen Sie den Flüssigkeitsstand im  
Behälter. Erhöhen Sie den Durchfluss  
des Kühlschmiermittels und stellen  
Sie sicher, dass das Loch und das  
Flüssigkeitsablaufrohr nicht blockiert  
sind. Prüfen Sie den Emulsion-  
Prozentsatz.

**GERÄUSCH BEI  
FÜHRUNGSBLÖCKEN**

Angeschlagene Bandführungen

Verschlossene oder beschädigte  
Führungen

Schmutz und/oder Späne zwischen  
Sägeband und Bandführungen.

Tauschen Sie sie aus.

## 1. Prévention des accidents et règlement de sécurité

Cette machine a été conçue dans le respect de l'ensemble de règlements de prévention des accidents nationaux et communautaires.

Le fabricant décline toute responsabilité pour les dégâts provoqués par une mauvaise utilisation et/ou une modification de dispositifs de sécurité.

### 1.1 Conseils pour l'opérateur

- Vérifier que la tension indiquée sur le moteur de la machine et celle du secteur sont les mêmes.
- Vérifier le bon fonctionnement de votre alimentation électrique et le système de mise à la terre; brancher le câble d'alimentation de la machine à la prise et relier le fil de terre (en jaune et vert) au système de mise à la terre.
- Quand l'archet est en position haute, ne pas faire tourner le ruban.
- Seule la partie de la lame utilisée pour couper peut demeurer sans protection. Régler les protecteurs sur les guides lame.
- Il est interdit d'utiliser la machine sans ses protecteurs.
- Toujours couper l'alimentation électrique de la machine avant de changer la lame ou d'effectuer tout travail d'entretien, même dans le cas d'un fonctionnement anormal de la machine.
- Porter toujours une protection oculaire appropriée.
- Tenir les mains ou les bras éloignés de la zone de coupe pendant que la machine est en marche.
- Ne pas déplacer la machine pendant la coupe.
- Ne pas porter des vêtements amples tels que : une chemise aux manches trop longues, des gants trop grands, des bracelets, des chaînes ou tout autre objet pouvant se coincer dans la machine pendant son fonctionnement. Attacher les cheveux longs.
- Tenir tout équipement, outil ou tout autre objet loin de la zone de travail.
- Effectuer une seule coupe à la fois. Ne jamais tenir dans vos mains plusieurs objets à la fois. Garder les mains aussi propres que possible.

- Effectuer toute opération interne, entretien ou réparation dans un endroit bien éclairé où la lumière est complétée par des sources d'éclairage supplémentaires afin d'éviter les risques d'accident même léger.

### 1.2 La norme européenne « CENELEC EN 60204-1 » pour l'équipement électrique

- L'équipement électrique assure une protection contre les chocs électriques par contact direct ou indirect. Les boutons de commandes de cet équipement sont logés dans un boîtier dont l'accès est limité par les vis qui ne peuvent être retirées qu'avec un outil spécifique; ces parties sont alimentées en courant alternatif de basse tension (24V). L'équipement est protégé contre les projections d'eau et les poussières.
- La protection du système contre les courts-circuits est assurée par des fusibles rapides et la mise à la terre; en cas de surcharge du moteur, la protection est assurée par un relai thermique.
- Appuyer de nouveau sur le bouton de démarrage en cas de coupure de courant.
- La machine a été testée conformément au point 20 de la norme EN 60204.

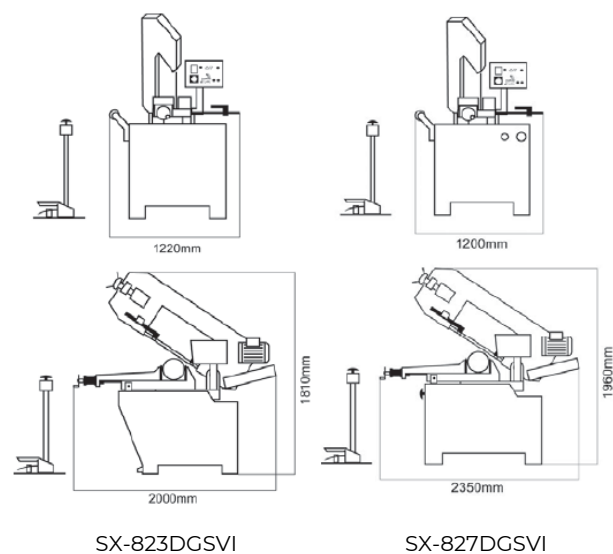
### 1.3 La norme européenne « CENELEC EN 60204-1 » liée aux urgences

- En cas de mauvais fonctionnement ou de danger, arrêter la machine aussitôt en appuyant sur le bouton rouge en forme de champignon.
- Le retrait temporaire ou volontaire du protecteur de l'archet provoque la libération du micro-interrupteur, ce qui arrêtera automatiquement toutes les fonctions de la machine.
- Lors que la lame est cassée, le micro-interrupteur peut libérer la tension et arrêter toutes les fonctions de la machine.

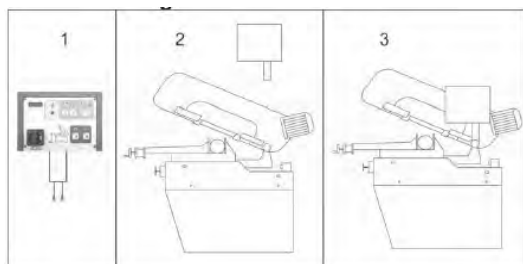
Remarque: Après un arrêt d'urgence, il est nécessaire d'activer le bouton de redémarrage avant de remettre la machine en service.

## 2. DIMENSIONS DE LA MACHINE TRANSPORT INSTALLATION DÉMONTAGE

### 2.1 Dimensions de la machine



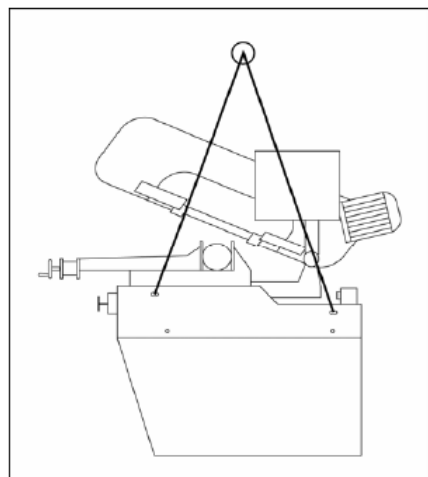
### 2.2 Monter le boîtier de commande sur la scie



- Fixer le boîtier de commande à la scie à l'aide de deux vis de blocage fournies.

### 2.3 Transport de la machine

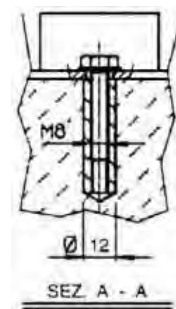
Déplacer la machine à l'aide d'un chariot élévateur ou d'une élingue de levage, comme montré sur la figure.



### 2.4 Exigences minimales pour l'installation de la machine

- La tension et la fréquence du courant doivent répondre aux exigences relatives au moteur de la machine.
- La température ambiante doit se situer entre  $-10^{\circ}\text{C}$  et  $+50^{\circ}\text{C}$ .
- L'humidité relative ne doit pas dépasser 90%.

### 2.5 Ancrer la machine au sol



Placer la machine au sol. Garder une distance minimale de 800 mm du mur. Ancrer la machine au sol en utilisant des vis et des chevilles à expansion ou des tirants coulés dans le béton comme illustré dans la figure et veiller à ce qu'elle soit bien assise au sol.

### 2.6 Instructions de montage: pièces détachées et accessoires

Monter les composants fournis:

Détail 1 Monter la butée de coupe Détail 2 Monter et aligner le bras du rouleau de support selon le fond d'étau.

### 2.7 Désactiver la machine

- Il est conseillé de procéder comme suit lorsque la scie à ruban n'est pas utilisée pendant une longue période:

- 1) Retirer la fiche secteur du panneau d'alimentation électrique.
- 2) Détendre la lame.
- 3) Relâcher le ressort de rappel du bras de sciage.
- 4) Vider le réservoir de liquide de refroidissement.
- 5) Nettoyer et graisser la machine avec soin.
- 6) Couvrir la machine si nécessaire.



## 2.8 Démontage (à cause de l'obsolescence et / ou de l'usure)

### Règles générales

Lorsque la machine est hors d'usage et / ou mis au rebut, démonter l'appareil et procéder en fonction du type et de la composition de pièces décrits ci-dessous :

- 1) Les pièces en fonte ou en matériaux ferreux, composées uniquement de métal, sont des matières premières secondaires et peuvent être reprises par une fonderie de fer après avoir retiré les contenus (indiqués dans le point 3).
- 2) Les composants électriques, y compris le câble et les matériels électroniques (cartes magnétiques, etc), entrent dans la catégorie de déchets ménagers et sont assimilés à des déchets urbains, selon les lois locales, étatiques ou fédérales, et peuvent être pris en charge par le service public des déchets.
- 3) Les huiles minérales, synthétiques et / ou mixtes usagées, ainsi que les huiles et graisses émulsionnées sont considérées comme des déchets dangereux ou spéciaux et doivent être collectées, transportées et éliminées par le service de traitement des déchets spéciaux.

Remarque: Les normes et la législation sur les déchets sont en évolution constante et soustraient au changement. Il est conseillé à l'utilisateur de se tenir au courant à tout moment de la réglementation concernant l'élimination des déchets qui peuvent différer de celle décrite ci-dessus.

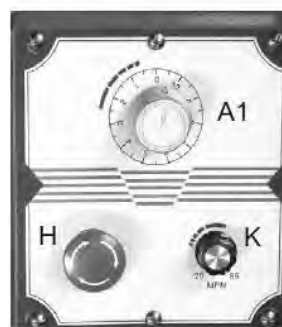
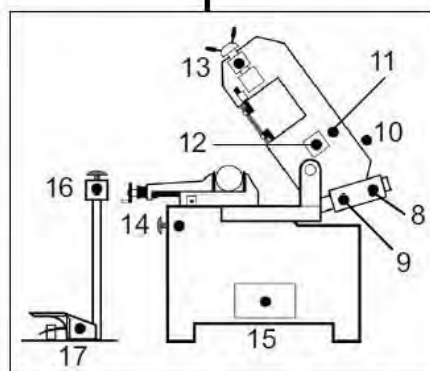
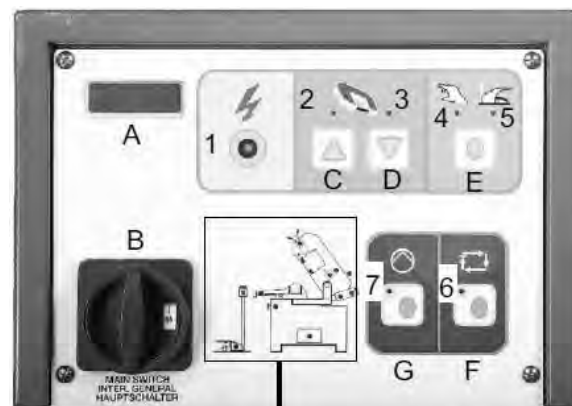
## 3. LES PIÈCES FONCTIONNELLES DE LA MACHINE

### 3.1 Le bras de sciage

Il s'agit de la partie de la machine constituée d'organes en mouvement (moteur ou moteur à vitesse variable, volants d'inertie), serrage et guidage (guides lame, blocs de guidage de la lame) de l'outil.



## 3.2 Panneau de contrôle



### Interrupteurs A ~ K

- A. Afficheur de vitesse - A1 Régulateur de descente de l'archet
- B. Sectionneur
- C. Interrupteur montée-archet
- D. Interrupteur descente-archet
- E. Sélecteur manuel/Pédale de commande.
- F. Départ du cycle
- G. Démarrage du groupe hydraulique
- H. Bouton d'arrêt d'urgence
- I. Bouton d'arrêt d'urgence de la pédale.
- J. Interrupteur pour pédale.
- K. Molette du variateur de vitesse de la lame

## 1-17 Témoins

Rouge - Indicateur d'avertissement

Jaune - Indicateur de sélection

Vert - Indicateur d'opération

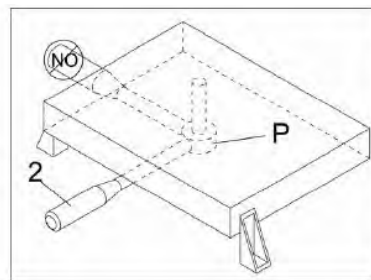
1. Témoin de mise sous tension de la machine.
2. Témoin de l'archet montant.
3. Témoin de l'archet descendant.
4. Témoin d'opération manuelle.
5. Témoin de pédale de commande
6. Témoin de démarrage du cycle.
7. Témoin de démarrage  
(commande de circuit hydraulique)
8. Témoin de la hauteur maximale de l'archet.
9. Témoin de la hauteur minimale de l'archet.
10. Témoin d'avertissement pour l'ouverture du couvercle de la lame.
11. Témoin d'avertissement pour vitesse de l'archet inadaptée.
12. Témoin d'avertissement pour surcharge moteur.
13. Témoin d'avertissement pour lame cassée.
14. Témoin du bouton d'arrêt d'urgence.
15. Témoin d'avertissement pour la surcharge du moteur hydraulique.
16. Témoin du bouton d'arrêt d'urgence pour pédale.
17. Témoin du fonctionnement de pédale.

### 3.3 Réglage de l'étau

Serrer la pièce à usiner.

- Placer la pièce à usiner entre les mâchoires.
- Fermer les mâchoires à l'aide de la manivelle. Laisser un petit écart entre la pièce et l'étau pour effectuer des coupes en série. Appuyer sur le bouton de démarrage du cycle (F). L'étau serre automatiquement la pièce à usiner pendant le cycle d'opération. L'étau s'ouvre une fois le cycle terminé. Dès lors, il est possible d'ajuster la pièce ou mettre une autre pièce à usiner.

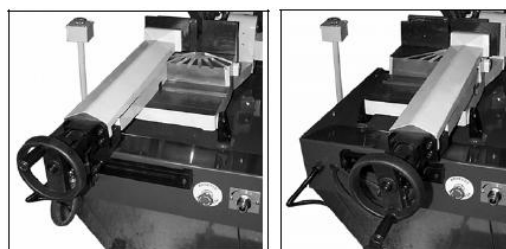
Fonctionnement de l'étau



Pour effectuer les coupes d'angles, il est parfois nécessaire d'ajuster la position de l'étau, de sorte que la trajectoire de la lame ne soit pas entravée.

Suivre les procédures suivantes.

- Libérer le support de parcours en tournant la manivelle (1) dans le sens anti-horaire.
- Libérer l'étau en plaçant le levier (2) à gauche.
- Il est désormais possible de déplacer l'étau à droite ou à gauche en poussant, avec la main, les mâchoires réglables et posant d'autre main sur la manivelle de parcours (1).
- Une fois que l'étau est mis en position, pousser le levier (2) vers la droite pour fixer la position de l'étau. Il est impossible de verrouiller l'étau si le levier (2) n'est pas positionné en face de l'utilisateur et entre les supports d'étau/plateau. Si le levier d'étau (2) est dépassé ou entravé par les supports d'étau/plateau, appliquez les procédures suivantes.
- Régler le levier (2) en baissant le point de pivot (P). Ceci peut rendre le réglage plus facile à effectuer. Le levier peut désormais être tourné librement vers une position plus appropriée. Parfois il est nécessaire de déplacer légèrement les mâchoires de l'étau. Lever le levier (2) puis déplacer vers la droite pour verrouiller la position de l'étau.
- Verrouiller le support de parcours (1) en tournant la manivelle dans le sens horaire.



### 3.4 Régler l'angle de coupe



Coupe d'angles

- Il est possible d'effectuer une coupe d'angles jusqu'à 60°.
- Déverrouiller le levier (L) en le poussant vers la gauche.
- Faire pivoter l'archet jusqu'à l'obtention de l'angle désiré en se référant aux repères de la règle graduée.
- Verrouiller le levier (L) en le poussant vers la droite.

### 3.5 Le socle

- Il s'agit de la structure soutenant l'ARCHET (le bras tournant pour la coupe progressive et le système de blocage), l'ÉTAU, la BUTÉE DE COUPE, le ROULEMENT qui soutient le matériau. Le socle abrite le réservoir de liquide de refroidissement, le vérin, et le dispositif commandant la descente et la montée automatique de l'archet.



SX-823DGSVI



SX-827DGSVI



Lock hole  
Trou de verrouillage

Un trou de verrouillage est conçu pour protéger l'interrupteur principal de connexion. Pour raisons de sécurité et de sûreté, un verrou peut être placé dans le trou de verrouillage pour empêcher le fonctionnement de la machine.

- Pour utiliser l'interrupteur de pédale (J), écartez, avec votre pied, le clip en plastique qui bloque la pédale. Veillez à ne pas endommager le clip avec une force excessive, ni piétiner sur la pédale. Puis, mettez votre pied sur la pédale pour commencer l'opération.

### 3.6 Le cycle de l'opération

- Vérifiez que la tension indiquée sur le moteur de machine et celle de la source d'alimentation électrique sont les mêmes. Connectez l'appareil à la source d'alimentation et appuyez sur l'interrupteur principal de connexion (B). Les tensions sont appropriées si le voyant de l'alimentation (I) est allumé.

\* Remarque: Le voyant clignote lors de sélectionner la vitesse de coupe.

- Appuyez sur l'interrupteur de démarrage du groupe hydraulique (G).

\* Remarque: Les interrupteurs (C), (D), et (F) ne peuvent pas fonctionner si l'interrupteur de démarrage du groupe hydraulique n'est pas activé. Si le témoin (7) clignote quand vous appuyez sur l'un des interrupteurs ci-dessus, cela signifie que l'interrupteur de démarrage du groupe hydraulique (G) n'est pas activé.

- Vérifiez le niveau d'huile. Le niveau d'huile monte quand le moteur tourne dans le bon sens. Si le niveau d'huile ne monte pas, rebranchez la fiche secteur.

- Vérifiez que le bras de sciage est convenablement réglé. Lors du positionnement de la pièce à usiner, appuyez sur l'interrupteur de l'archet (C) ou (D) pour régler sa hauteur.

- Mettez la pièce à usiner dans l'étau et bien serrer.
- Choisissez la vitesse du ruban à l'aide du variateur de vitesse (K).

- Restez dans un endroit sécurisé pendant l'opération. Deux façons de démarrer la machine: Appuyez sur l'interrupteur (C) pour déplacer l'archet à sa plus haute position et puis appliquez la première méthode en choisissant le mode d'opération manuelle sur le sélectionneur (E) et puis appuyez sur l'interrupteur de démarrage de cycle (F) pour commencer l'opération. La deuxième méthode: Choisissez le mode commande par pédale sur le sélectionneur (E) et puis appuyez sur la pédale pour commencer l'opération.

- En général, pour contrôler la vitesse de descente de l'archet, commencez par tourner légèrement le commutateur de circuit hydraulique (A1) dans le sens anti-horaire de 2 à 3. Si le bras de sciage descend trop vite, tourner le commutateur de circuit hydraulique (A1) dans le sens anti-horaire jusqu'à arrêter son mouvement de descente - Utiliser le commutateur de circuit hydraulique (A1) lors de la coupe des matériaux variés, afin de contrôler la vitesse de descente du bras de sciage.

\*Remarque: Un archet qui descend trop vite peut engendrer le blocage de lame dans la pièce à usiner et interrompre le fonctionnement de la machine. Dans ce cas, appuyez sur l'un des deux boutons-poussoirs d'arrêt d'urgence (H ou I) pour arrêter immédiatement toutes les opérations de la machine.

- Pendant l'opération du cycle, l'étau hydraulique se resserre automatiquement contre la pièce à usiner sur un déplacement allant jusqu'à 8 mm. Puis l'étau hydraulique s'ouvre 8mm maximum à la fin de l'opération. Il est désormais prêt pour l'opération suivante. Il n'est donc pas nécessaire de verrouiller manuellement les mâchoires de l'étau contre la pièce à chaque opération. Il suffit de laisser un écart de 4-5mm entre les mâchoires et la pièce à usiner.

- À la fin de l'opération, l'archet retournera à sa position haute initiale.

- En cas d'urgence ou de problème pendant le cycle d'opération, appuyer sur le bouton d'arrêt d'urgence (H ou I) pour interrompre toutes les opérations. Pour relâcher le bouton d'arrêt d'urgence (H ou I), tournez le bouton en forme de champignon dans le sens horaire. Lorsque le bouton est sorti à nouveau, le cycle de coupe peut être redémarré.

- L'interrupteur du groupe hydraulique (G) s'éteint automatiquement après 5 minutes de non-fonctionnement.

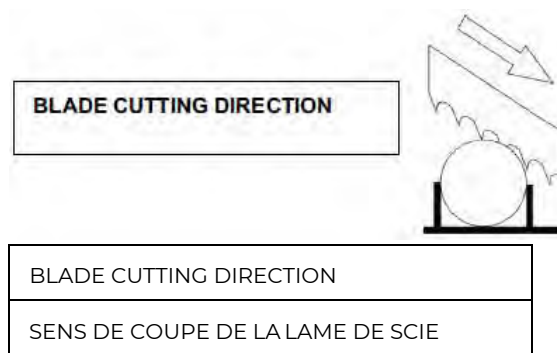
\* Remarque: Les interrupteurs (C), (D), et (F) ne peuvent pas fonctionner si l'interrupteur de démarrage du groupe hydraulique n'est pas activé. Si le témoin (7) clignote quand vous appuyez sur l'un des interrupteurs ci-dessus, cela signifie que l'interrupteur de démarrage du groupe hydraulique (G) n'est pas activé.

- Le témoin d'opération manuelle (4) clignote quand l'opération manuelle est choisie alors que la pédale est en marche. Inversement, le témoin d'opération pédale (5) clignote si la commande par pédale est choisie, alors que l'interrupteur d'opération manuelle est déclenché. Il s'agit d'une mauvaise sélection du mode d'opération.

- Le témoin clignote pour indiquer la panne de la partie correspondant de la machine.

1. Le témoin 14 indiquent que le bouton d'arrêt d'urgence est déclenché. Le témoin 16 indiquent que le bouton d'arrêt d'urgence de la pédale est déclenché.
2. Le témoin 13 indiquent que la lame est cassée.
3. Le témoin 10 indiquent que le couvercle de la lame est ouvert.
4. Le témoin 12 indiquent que le moteur est surchargé.
5. Le témoin 15 indiquent que le moteur hydraulique est surchargé.
6. Le témoin 11 indiquent que la vitesse choisie n'est pas correcte.

- Les témoins 2 et 3 clignotent en même temps si les commandes monter/descendre de l'archet sont en panne.

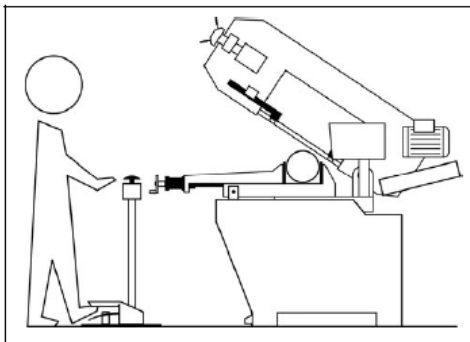


## 4. Conseils pour l'utilisation de votre scie à ruban

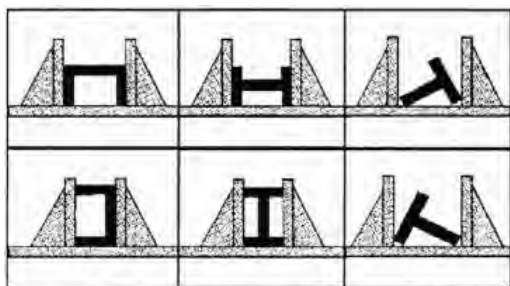
### 4.1 Recommandations et conseils pour l'utilisation de la machine

La machine a été conçue pour couper les matériaux en métal de formes variées dans les ateliers, dans les magasins de tourneur et dans l'ensemble des ateliers de mécanique.

Un seul opérateur est nécessaire pour manœuvrer la machine. Il doit rester debout comme le montre l'image.



- Avant d'effectuer une coupe, veiller à ce que la pièce soit serrée fermement dans l'étau et que l'extrémité de celle-ci soit soutenue de façon appropriée.
- Les chiffres figurés ci-dessous sont les exemples qui montrent comment, en tenant compte de la capacité de coupe de la machine, serrer proprement des barres de section différente pour assurer une bonne performance et durabilité de la lame.

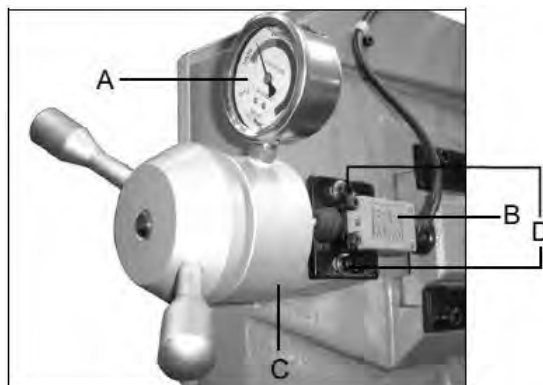


- Ne pas utiliser des lames de dimensions différentes de celles indiquées dans les spécifications de la machine.
- Si la lame est coincée pendant la coupe, appuyez sur l'interrupteur de démarrage de cycle ou sur le bouton d'arrêt d'urgence pour arrêter la machine. Ouvrir doucement l'étau, enlever la pièce et vérifier que la lame ou ses dents ne sont pas cassées. Si c'est le cas changer la lame.
- S'assurer que le ressort de rappel de l'archet maintient l'archet en bonne position.
- Se renseigner auprès du revendeur avant de procéder à la réparation de l'appareil.

## 5 RÉGLER VOTRE MACHINE

### 5.1 Régler la tension du ruban

Pour assurer la tension idéale du ruban, tourner le volant de tension jusqu'à ce que l'aiguille soit correctement positionnée sur la jauge de tension (A). La machine ne fonctionnera pas si le micro-interrupteur n'est pas correctement connecté au dispositif de tension (C).



Procéder comme suit lorsque la tension est correctement réglée, mais le micro-interrupteur (B) n'est pas connecté ou déclenché de manière appropriée.

- Desserrer les vis de réglage (D).
- Approcher le micro-interrupteur (B) au dispositif de tension (C). S'assurer que le piston est correctement rentré.
- Serrer les vis de fixation (D) pour fixer le micro-interrupteur (B) en place.

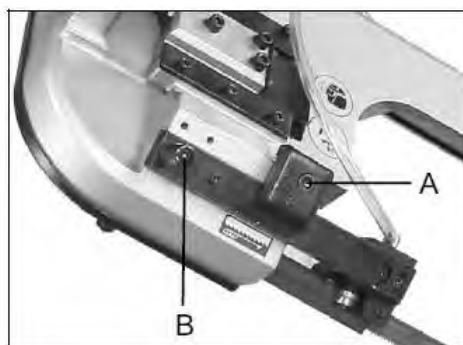
### 5.2 Régler le guide lame

SX-827DGSVI



- Débrancher la machine de la source d'alimentation.
- Desserrer la vis à tête hexagonale (L) sur la barre de serrage du guide.
- Tenir la poignée (M) et coulisser le guide lame couissant de sorte que le guide lame soit aussi proche que possible du matériau sans perturber le bon fonctionnement de la coupe.
- Serrer la vis à tête hexagonale (L).
- Rebrancher la machine à la source d'alimentation.

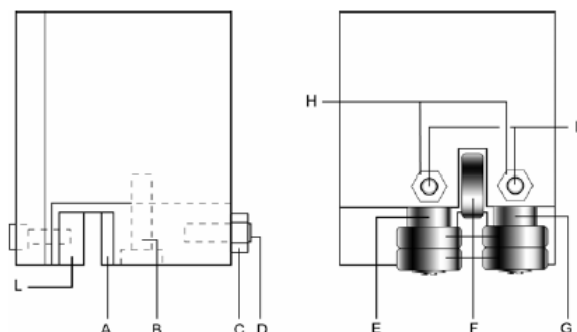
## SX-823DGSVI



- Débrancher la machine de la source d'alimentation.
- Desserrer la vis six pans creux (A) sur la plaque de verrouillage carrée à l'aide d'une clé hexagonale.
- Tenir la poignée (B) et coulisser le bloc de guide lame de sorte que le guide lame soit aussi proche que possible du matériau sans perturber le bon fonctionnement de la coupe.
- Resserrer la vis six pans creux (A).
- Rebrancher la machine à la source d'alimentation.

## Blocs de guide lame

La lame est guidée au moyen de patins réglables installés, lors de l'inspection, en fonction de l'épaisseur de la lame avec un jeu minimum comme indiqué dans la figure.



Lors du changement de lame, prendre une lame de 0,9 mm d'épaisseur pour laquelle les guides lame ont été prédéfinis. Pour les lames d'une épaisseur différente, régler comme suit:

- Desserrer l'écrou (C) et la vis (B). Puis desserrer la butée (D) en élargissant le passage entre les blocs.
- Desserrer les écrous (H) et les butées (I) et faire tourner les axes (E - G) pour élargir le passage entre les supports (F).
- Pour monter une nouvelle lame : poser le bloc (A) sur la lame, desserrer les chevilles en laissant un jeu de 0,04 mm pour le glissement de la lame dentée, bloquer l'écrou et la vis (B), tourner les axes (E - G) jusqu'à ce que les supports soient en contact avec la lame comme indiqué dans la figure, puis fixer les butées (I) et l'écrou (H).

- S'assurer que le jeu entre la lame et la denture du haut du bloc (L) est de 0,2 à 0,3 mm minimum de large. Desserrer les vis fixant les blocs et régler en conséquence si nécessaire.

**Débrancher toute alimentation et câble électrique avant d'effectuer les opérations suivantes.**

## 5.3 Changer la lame



Pour changer la lame:

- Soulever le bras de sciage.
- Détendre la lame en tournant le volant de tension du ruban. Retirer les protecteurs, ouvrir le couvercle du volant, retirer le ruban des deux volants et le sortir des guides lame.
- Placer la nouvelle lame entre les blocs de guide lame et sur les deux volants. Vérifier le sens des dents
- Établir la tension du ruban. Vérifier que le ruban est bien installé sur les volants.
- Remplacer et fixer les protecteurs de lame et celui du volant. Vérifier que **l'interrupteur de verrouillage (N)** est enclenché, autrement la machine ne pourra pas fonctionner.

**AVERTISSEMENT:** Utiliser toujours les lames de la même épaisseur indiquée dans ce manuel pour qu'elles soient conformes au réglage prédéfini par le fabricant. Voir, le cas échéant, le chapitre

#### 5.4 Dispositif de limitation de la remontée de l'archet

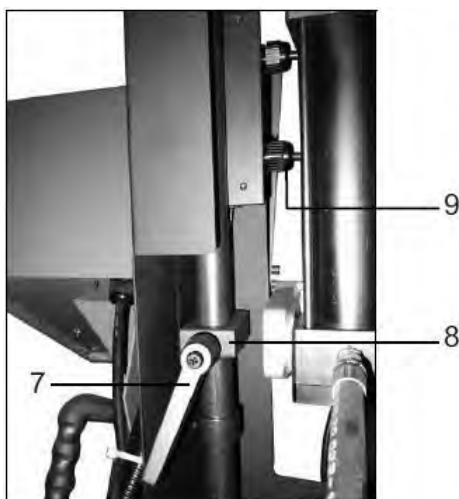
Il s'agit d'un système de réglage mécanique, monté parallèlement sur l'axe de la tête de scie, afin de réduire les phases passives du cycle de l'opération. En d'autres termes, il s'agit d'un dispositif dont la fonction est d'éliminer la course à vide qui se produit lorsque la taille du matériau à couper est beaucoup plus petite que la capacité maximale de coupe. Sur le plan pratique, il est possible de régler la position de départ de la lame à proximité de la pièce à usiner, indépendamment de ses dimensions.

Procéder comme suit:

- Ouvrir légèrement vanne de régulation du débit (A1).
- Rapprocher la lame de la pièce à usiner d'environ 10mm avec la commande de montée/descente de l'archet (C et D).
- Desserrer la poignée (7) afin de libérer la plaque de butée réglable (8) de l'interrupteur de fin de course (9).
- Verrouiller la poignée (7)

ATTENTION:

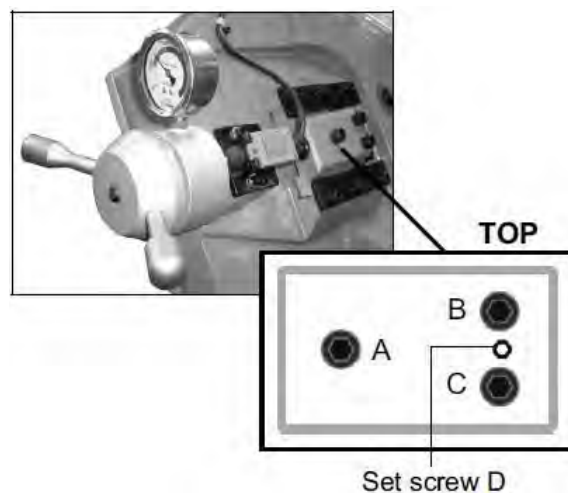
- Il n'est pas nécessaire de régler la plaque de butée mécanique (B) à chaque fois. Amener la lame à proximité de la pièce à usiner à l'aide de la commande de montée de l'archet (D), puis démarrer le cycle de coupe automatique (F). La lame commencera à couper à partir de cette position.
- L'archet retournera à la position supérieure de sa course.



#### 5.5 Changer la lame Pour changer la lame:

- Soulever le bras de sciage.
- Détendre la lame à l'aide du volant. Retirer le protecteur, ouvrir le couvercle du volant, retirer le ruban des deux volants et le sortir des blocs de guide lame.
- Monter la nouvelle lame en la mettant entre les guides lame et puis sur la course des volants en portant une attention particulière au sens de la denture.
- Établir la tension du ruban et s'assurer qu'il est bien posé sur les volants.
- Monter le guide lame mobile sur le couvercle du volant. Fixer celui-ci à l'aide de ses poignées. Vérifier que le micro-commutateur de sécurité est déclenché. Autrement la machine ne démarre pas même si la connexion électrique est rétablie.

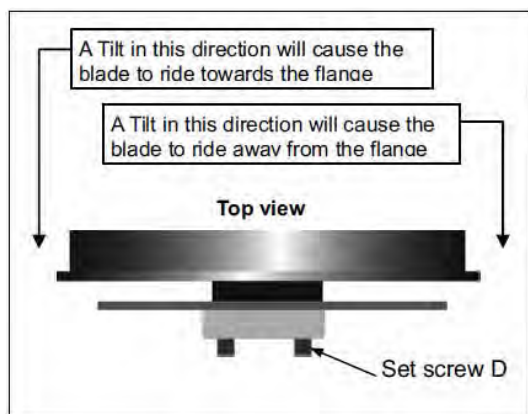
#### 5.6 Régler le ruban par rapport aux volants d'inertie



Set screw D	Vis sans tête D
-------------	-----------------

1. Desserrer les vis à tête hexagonale A, B et C.
2. Manœuvrer la vis sans tête D à l'aide d'une clé Allen pour régler l'inclinaison du volant.

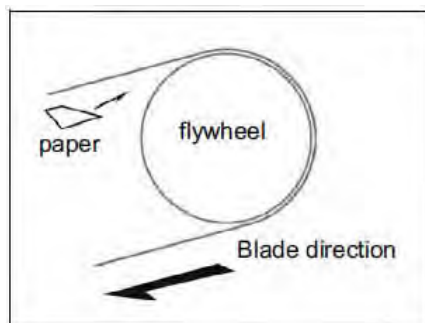
- Faire incliner le volant en tournant la vis D dans le sens horaire pour que le ruban s'approche un peu plus de l'épaulement du volant.
  - Faire incliner le volant en tournant la vis D dans le sens anti-horaire pour que le ruban s'écarte de l'épaulement du volant. Si le ruban s'écarte trop, il sortira des volants.
- Après que le réglage est terminé, serrer les vis dans cet ordre: A, B, et C.



A Tilt in this direction will cause the blade to ride towards	Une inclinaison dans ce sens engendra l'approche du ruban
---	---

the flange	vers l'épaulement.
A Tilt in this direction will cause the blade to ride away from the flange	Une inclinaison dans ce sens engendra l'éloignement du ruban à l'égard de l'épaulement.
Top View	Vue de dessus
Set screw D	Vis sans tête D

Vérifier le réglage du ruban



Paper	papier
flywheel	volant
Blade direction	Sens du ruban

Faire glisser une bande de papier entre le ruban et le volant lorsque celui-là est en cours d'exécution.

- Si le papier est coupé c'est que le ruban s'approche trop près de l'épaulement. Régler à nouveau.
- Si le ruban se déplace en sens opposé de l'épaulement. Alors régler à nouveau.

**AVERTISSEMENT:** Utiliser toujours les lames dont les dimensions sont les mêmes que celles spécifiées dans ce manuel et pour lesquelles les guides lame ont été installés. Voir, le cas échéant, le chapitre « Description du cycle d'opération » dans la section Mise en route.

### 5.7 Remplacer le ressort de rappel du bras de sciage.

- Il est nécessaire de soutenir le bras de sciage avec un dispositif de levage lors de cette opération.
- Pour remplacer le ressort, dévisser la tige supérieure et la libérer du tirant en bas.

## 6. Entretien ordinaire et spécial

Les travaux d'entretien figurant ci-dessous sont classés selon qu'ils sont quotidiens, hebdomadaires, mensuels et semestriels. Toute négligence à l'égard des opérations indiquées ci-dessous conduira à une usure prématurée et à une mauvaise performance de la machine.

### 6.1 Entretien quotidien

- Nettoyage général de la machine pour ôter les copeaux accumulés.
- Nettoyer le trou de vidange de l'huile de lubrification pour éviter l'excès de liquide.
- Faire le plein d'huile lubrifiante.
- Vérifier l'usure de la lame.
- Soulever l'archet et détendre partiellement le ruban pour lui épargner une tension inutile.
- Vérifier le bon état de fonctionnement des protecteurs et des boutons arrêts d'urgence.

### 6.2 Entretien hebdomadaire

- Nettoyage complet de la machine pour enlever les copeaux, surtout ceux installés dans le réservoir d'huile lubrifiante.
- Sortir la pompe de son corps, nettoyer le corps et le filtre d'aspiration.
- Nettoyer le filtre de la tête d'aspiration et la zone autour de celui-ci.
- Nettoyer les guides lame (les supports de guidage et le trou de vidange de l'huile lubrifiante) au moyen de l'air comprimé.
- Nettoyer le capot protecteur du ruban et les surfaces des volants sur lesquelles sont placées le ruban.

### 6.3 Entretien mensuel

- Vérifier le serrage des vis de volant du moteur.
- Vérifier que les supports de guide lame sont en parfait état de marche.
- Vérifier le serrage des vis du moto-réducteur, du vérin et de la protection contre les accidents.



#### 6.4 Entretien semestriel

- Test de continuité du circuit de la protection potentielle de l'équipement.

#### 6.5 Entretien des autres parties de la machine

Le réducteur monté sur la machine ne nécessite aucun entretien et est garanti par son fabricant.

#### 6.6 Huiles lubrifiantes

Compte tenu de la vaste gamme de produits sur le marché, l'utilisateur peut choisir le produit le plus adapté à ses besoins en prenant comme référence le type SHELL LUTEM OIL ECO. Le pourcentage minimum de l'huile diluée dans l'eau est de 8-10%.

#### 6.7 Élimination des huiles

L'élimination de ces produits est soumise à une réglementation stricte. Veuillez vous rapporter au chapitre sur les "**Dimensions de la machine Transport - Installation**", à la section du Démantèlement.

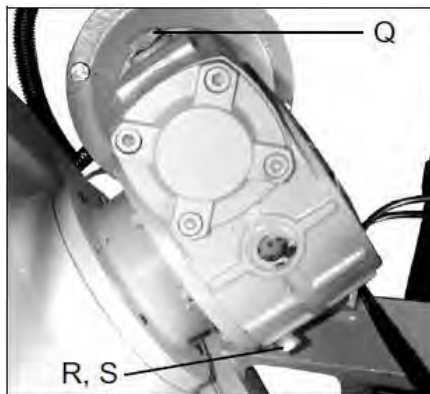
#### 6.8 Système de liquide de refroidissement



##### Nettoyage du réservoir

- Ouvrir le bouchon de vidange à l'aide d'une clé hexagonale pour faire écouler le liquide de refroidissement.
- Enlever le tuyau et le filtre (N).
- Enlever la pompe (P) en desserrant les 2 vis de réglage.
- Nettoyer les débris et les copeaux dans le réservoir à l'aide d'un aspirateur.
- Remettre le bouchon de vidange. Bien nettoyer la pompe (P) et la remettre en place.
- Remplir le réservoir du liquide de refroidissement jusqu'à 25 mm au-dessous du filtre.
- Remettre le tuyau et le filtre (N).

#### 6.9 Le réducteur



Le réducteur nécessite un changement périodique de l'huile. Pour une nouvelle machine, il est nécessaire de changer l'huile au bout du 6e mois après sa mise en service et une fois par an par la suite.

Pour changer l'huile du réducteur.

- Débrancher la machine de la source d'alimentation.
- Lever l'archet et le maintenir en position verticale.
- Pour soutirer l'huile de transmission, retirer le bouchon de vidange (R) en desserrant la vis à six pans creux (R).
- Remettre la vis (R) une fois que la boîte est complètement vide.
- Placer le bras de sciage en position horizontale.
- Remplir le réducteur avec approximativement 3 litres d'huile de transmission à travers le trou de purge (Q)

Prendre comme référence l'huile SHELL du type huile de transmission ou huile de transmission automobile # 90.

#### 6.10 Entretien spécial




L'entretien spécial doit être effectué par un personnel qualifié. Nous vous conseillons de contacter votre revendeur et / ou importateur dans votre région.

La remise en état des équipements de protection et celle des dispositifs de sécurité, du moteur, du moteur du vérin, et d'autres composants électriques nécessitent également une maintenance spéciale.

## 7. CARACTÉRISTIQUES TECHNIQUES

### 7.1 Tableau de capacité de coupe et les détails techniques




#### SX-823DGSVI

CUTTING CAPACITY			
90°	220	210	260x90
45°	150	140	145x125
60°	90	85	90x85
45° (L)	110	110	160x45

Moteur électrique	1.1kW
Dimensions de lame	27x0,9x2460mm
Vitesse du ruban	20~85 m/min
Poids de la machine	280 kg

CUTTING CAPACITY	CAPACITE DE COUPE
BLADE MOTOR	MOTEUR DU RUBAN
BLADE SIZE	DIMENSIONS DE LAME
BLADE SPEED	VITESSE DU RUBAN
MACHINE WEIGHT	POIDS DE LA MACHINE

#### SX-827DGSVI

CUTTING CAPACITY			
0°	265	260	350x220
45° (R)	230	150	240x110
60° (R)	135	90	130x90
45° (L)	210	160	170x105

Moteur électrique	1.5kW
Diamètre du volant	380mm
Dimensions de lame	27x0,9x3160mm
Vitesse du ruban	20~85 m/min
Ouverture de l'étau	355mm
Inclinaison de l'archet	40°
Hauteur de la table de travail	860mm
Poids de la machine	460 kg

CUTTING CAPACITY	CAPACITE DE COUPE
ELECTRIC MOTOR-BLADE ROTATION	MOTEUR DE LA LAME
FLYWHEEL DIAMETER	DIAMETRE DU VOLANT
BLADE DIMENSIONS	DIMENSIONS DE LAME
BLADE SPEED CUTTING	VITESSE DU RUBAN
OPENING VICE	OUVERTURE DE L'ÉTAU
SAW FRAME TILTING	INCLINAISON DE L'ARCHET
WORKING TABLE HEIGHT	HAUTEUR DE TRAVAIL
MACHINE WEIGHT	POIDS DE LA MACHINE

Type d'acier						Caractéristiques		
USAGE	I UNI	D DIN	F AF NOR	GB SB	USA AISI-SAE	HB de dureté Brinell	HB de dureté Rockwell	R = N/mm <sup>2</sup>
Acier de construction	Fe360	St37	E24	---	---	116	67	360÷480
	Fe430	St44	E28	43	---	148	80	430÷560
	Fe510	St52	E36	50	---	180	88	510÷660
Aciers au carbone	C20	CK20	XC20	060 A 20	1020	198	93	540÷690
	C40	CK40	XC42H1	060 A 40	1040	198	93	700÷840
	C50	CK50	---	---	1050	202	94	760÷900
	C60	CK60	XC55	060 A 62	1060	202	94	830÷980
Acier à ressort	50CrV4	50CrV4	50CV4	735 A 50	6150	207	95	1140÷1330
	60SiCr8	60SiCr7	---	---	9262	224	98	1220÷1400
Aciers alliés pour trempé et revenu et pour nitruration	35CrMo4	34CrMo4	35CD4	708 A 37	4135	220	98	780÷930
	39NiCrMo4	36CrNiMo4	39NCD4	---	9840	228	99	880÷1080
	41CrAlMo7	41CrAlmo7	40CADG12	905 A 39	---	232	100	930÷1130
Aciers cémentés	18NiCrMo7	---	20NCD7	En 325	4320	232	100	760÷1030
	20NiCrMo2	21NiCrMo2	20NCD2	805 H 20	4315	224	98	690÷980
Alliés pour supports	100Cr6	100Cr6	100C6	534 A 99	52100	207	95	690÷980
Acier à outils	52NiCrMoKU	56NiCrMoV7C100K	---	---	---	244	102	800÷1030
	C100KU	C100W1	---	BS 1	S-1	212	96	710÷980
	X210Cr13KU	X210Cr12	Z200C12	BD2-BD3	D6-D3	252	103	820÷1060
	58SiMo8KU	---	Y60SC7	---	S5	244	102	800÷1030
Aciers inoxydables	X12Cr13	4001	---	---	410	202	94	670÷885
	X5CrNi1810	4301	Z5CN18.09	304 C 12	304	202	94	590÷685
	X8CrNi1910	---	---	---	---	202	94	540÷685
	X8CrNiMo1713	4401	Z6CDN17.12	316 S 16	316	202	94	490÷680
Alliages de cuivre, de laiton spécial et de bronze	L'aluminium cuivre alliage G-CuAl11Fe4Ni4 UNI 5275					220	98	620÷685
	Manganèse/silicium en laiton spécialG-CuZn36Si1Pb1 UNI5038					140	77	375÷440
	Bronze de Manganèse d'SAE43 – SAE430					120	69	320÷410
	Phosphore bronze G-CuSn12 UNI 7013/2a					100	56,5	265÷314
Fonte	Fonte brute, fonte grise		G25			212	96	245
	Fonte à graphite spheroidal		GS600			232	100	600
	Fonte malleable		W40-05			222	98	420

## 8. CATEGORIE DES MATÉRIAUX ET CHOIX D'OUTIL

Pour réaliser une excellente qualité de coupe, il est nécessaire de prendre en compte un grand nombre de paramètres spécifiques au matériau et à la capacité de l'outil, tels que la dureté du matériau, sa forme et son épaisseur, la section transversale de coupe de la pièce à usiner, la sélection du type de ruban utilisé, la vitesse de coupe et le contrôle de la descente de l'archet. Toutes ces spécifications doivent donc être harmonieusement combinées dans une seule opération pour assurer les conditions optimales d'opération et diminuer les efforts au travail. Il sera plus facile de résoudre une grande partie des problèmes surgissant de temps à autre si l'opérateur dispose d'une bonne connaissance de ces spécifications.

### 8.1 Définition de matériaux

Le tableau ci-dessus énumère les caractéristiques des matériaux à découper. Choisissez le bon outil pour effectuer votre travail.

### 8.2 Choix de la lame.

Tout d'abord, choisir une denture adaptée au matériau à couper en prenant compte de son nombre de dents par pouce (25,4 mm), selon les critères suivants:

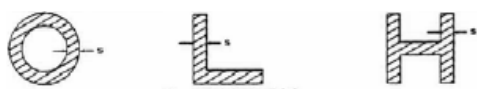
- Prendre une denture fine pour les pièces à section fine et / ou variable telles que les profils, les tubes et les plats. Le choix de denture doit assurer que 3 à 6 dents soient simultanément en contact avec la pièce à usiner;
- Une denture avec des dents espacées donne de bonnes coupes avec des pièces à section large et des pleins. Elle permet d'effectuer des coupes avec les pièces de grand volume et d'avoir une meilleure pénétration des dents dans les matériaux;
- Celle-ci est également adaptée aux matériaux souples ou en plastique (alliages légers, bronze doux, Téflon, bois, etc.);
- Les pièces découpées en paquets nécessitent une denture type combo.

### 8.3 La longueur de la denture

Comme il a été dit plus haut, cela dépend de facteurs suivants:

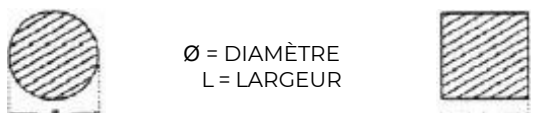
- La dureté du matériau
- Dimensions de la section
- L'épaisseur de paroi.

TABLEAU DE CHOIX DE LA DENTURE DU RUBAN		
Épaisseur mm	TYPE DENTS EN CONTINU Z	TYPE DENTS COMBINEES Z
Jusqu'à 1,5	14	10/14
De 1 à 2	8	8/12
De 2 à 3	6	6/10
De 3 à 5	6	5/8
De 4 à 6	6	4/6
PLUS DE 6	4	4/6



S = ÉPAISSEUR

SOLIDE Ø OU L MM	TYPE DENTS EN CONTINU Z	TYPE DENTS COMBINEES Z
Jusqu'à 30	8	5/8
De 30 à 60	6	4/6
De 40 à 80	4	4/6
PLUS DE 90	3	3/4



Ø = DIAMÈTRE  
L = LARGEUR

#### 8.4 Vitesse de coupe et vitesse d'avance

La vitesse de coupe (m / min) et la vitesse d'avance (cm<sup>2</sup> / min = surface parcourue par les dents pendant la coupe) sont limitées par la chaleur produite à l'extrémité des dents.

- La vitesse de coupe est subordonnée à la résistance du matériau ( $R = N/mm^2$ ), à sa dureté (HRC) et aux dimensions de sa plus grande section.
- Une trop grande vitesse d'avance (= abaissement de l'archet) tend à provoquer l'écartement du parcours idéal de coupe, produisant ainsi des coupes non rectilignes tant sur le plan vertical que horizontal.

La forme des copeaux est un indice de la bonne combinaison (ou non) de ces deux paramètres.

Les copeaux longs en forme de spirale sont un indice de coupe idéale.

Les copeaux très fins ou pulvérisés sont signes de l'insuffisance de pression de charge et / ou de coupe.

Les copeaux épais et / ou gros indiquent une surcharge de la lame.

#### 8.5 Rodage du ruban

Il est recommandé de faire fonctionner la machine en effectuant une série de coupes à une vitesse d'avance faible (= de 30 à 35 cm<sup>2</sup>/min sur le matériau de dimensions moyennes relatif à la capacité de coupe et à un solide en acier normal avec  $R = 410-510 N/mm^2$ ) lors de faire la première utilisation. Pulvériser abondamment la zone de coupe avec de l'huile lubrifiante.

#### 8.6 Structure de lame

Les lames en bi-métal sont les plus couramment utilisées. Elles sont constituées d'une lame d'acier au silicium avec un tranchant recouvert d'acier rapide (AR) soudé au laser. Le type de stocks se divise en trois catégories, M2, M42, M51. Ils diffèrent les uns des autres en raison de leur dureté due à l'augmentation du pourcentage de Cobalt (Cc) et du molybdène (Mo) contenus dans l'alliage métallique.

#### 8.7 Types de lame

Les types de lame se diffèrent essentiellement par leurs caractéristiques constructives, telles que:

- La forme et l'angle de coupe de la denture
- Le pas
- Le type de denture

La forme et l'angle de la denture régulier Inclinaison à 0° et longueur constante.



C'est la forme la plus couramment utilisée pour effectuer un découpage transversal ou incliné du plein en petites et moyennes sections ou de tuyaux, laminés en acier doux et en fonte grise ou en métal normal.

DENTURE À INCLINAISON POSITIVE:

Inclinaison positive à 9° - 10° et longueur constante.

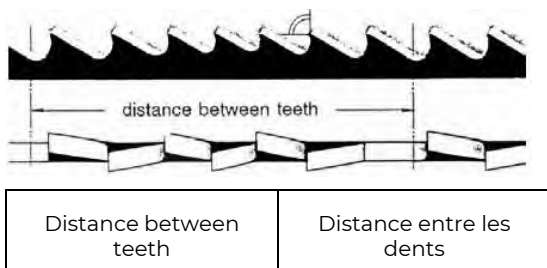


Positive	positif
----------	---------

Usage particulier pour effectuer les coupes en travers ou inclinées avec les pleins ou les grands tubes, mais surtout avec les matériaux plus durs (aciers fortement alliés et inoxydables, bronze et fonte brute).

DENTURE COMBO : Denture dont le pas des dents varie des unes aux autres et, par conséquent, la taille des dents et la profondeur des orifices diffèrent. Le pas variable des dents permet d'assurer une coupe plus lisse et plus silencieuse.

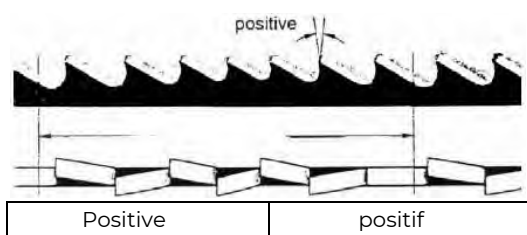
Elle permet également de prolonger la durée de vie de la lame en réduisant les vibrations jusqu'à zéro.



Un autre avantage de ce type de lame est de permettre de couper une large gamme de matériaux différents en taille et en type avec une seule lame.

#### DENTURE COMBO:

Inclinaison positive à  $9^\circ - 10^\circ$



Ce type de lame est adaptée à découper, à la capacité maximum de la machine, les barres profilées, les grands tubes épais et les barres pleines. Pas disponibles: 3-4/4-6.

#### SERIES

Ce type de denture a des dents convexes qui dépassent le plan du corps de la scie à ruban, ce qui permet d'effectuer une coupe plus large.



#### Denture régulière ou inclinée:

Ce type de denture a des dents droites et inclinées en alternance vers les côtés droit et gauche.



Il est généralement utilisé pour couper les pièces de dimensions supérieures à 5 mm, les matériaux en acier ou en fonte et des matériaux non ferreux mais durs.

#### Denture ondulée :

Denture ondulée comme les mouvements de vagues en douceur.



Ce type de denture a des dents très fines et est principalement utilisé pour couper les tuyaux et les barres profilées minces (1 à 3 mm).

#### Denture en alternance (en groupe):

Ce type de denture a des groupes de dents droites positionnées en alternance à des côtés droite et gauche.



Ce type de denture a des dents très fines et est principalement utilisé pour couper les matériaux très fins (moins de 1 mm).

#### Denture en alternance (dent individuelle):

Ce type de denture a des dents à droite et des autres à gauche.



Ce type de denture est utilisé pour couper les matériaux tendres non ferreux, les plastiques et les bois.

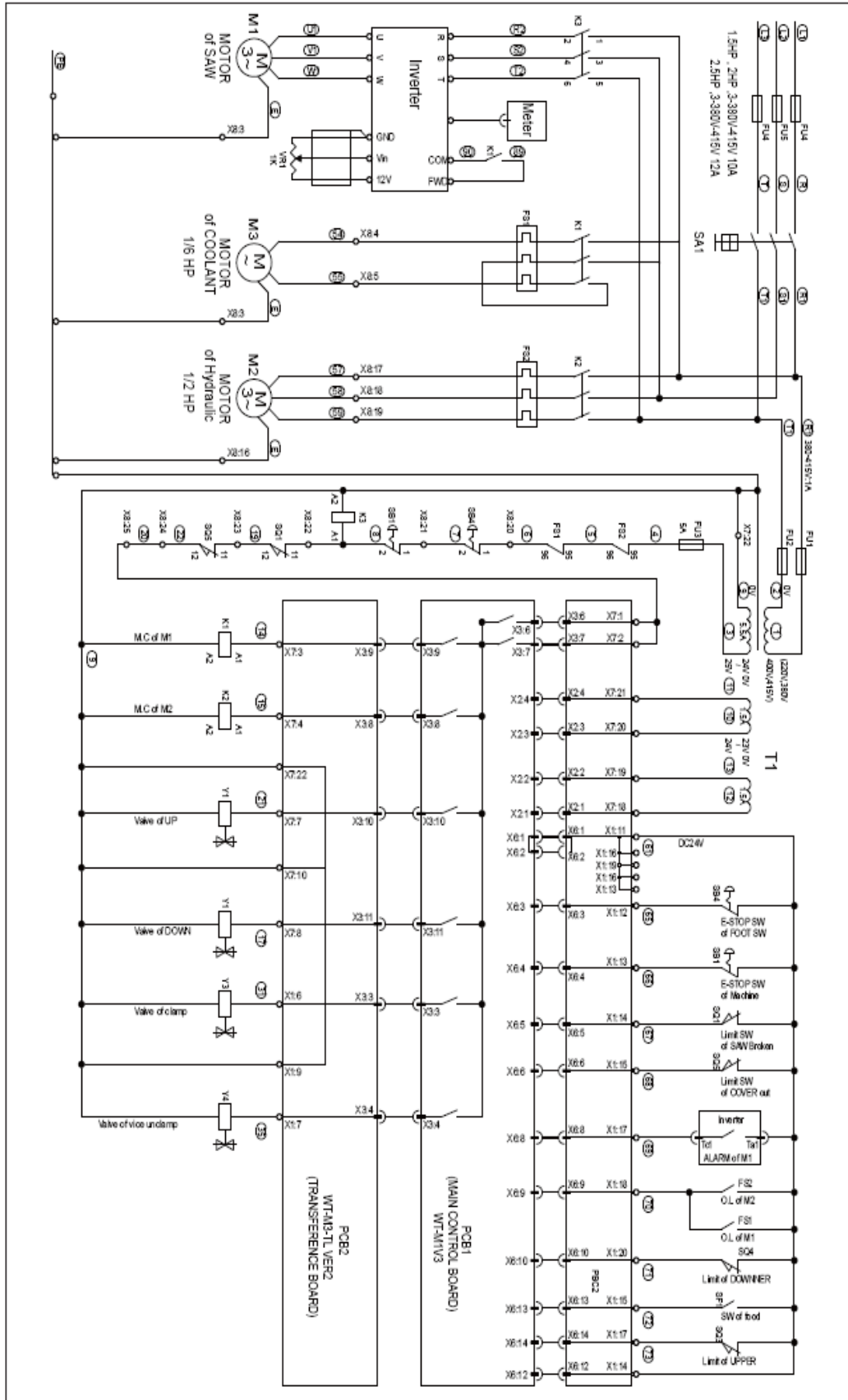
#### 9. TESTS DE BRUIT

Le test a eu lieu dans un environnement dont le niveau sonore des bruits est de 65db. Le niveau sonore de la machine à vide a été de 71 dB.

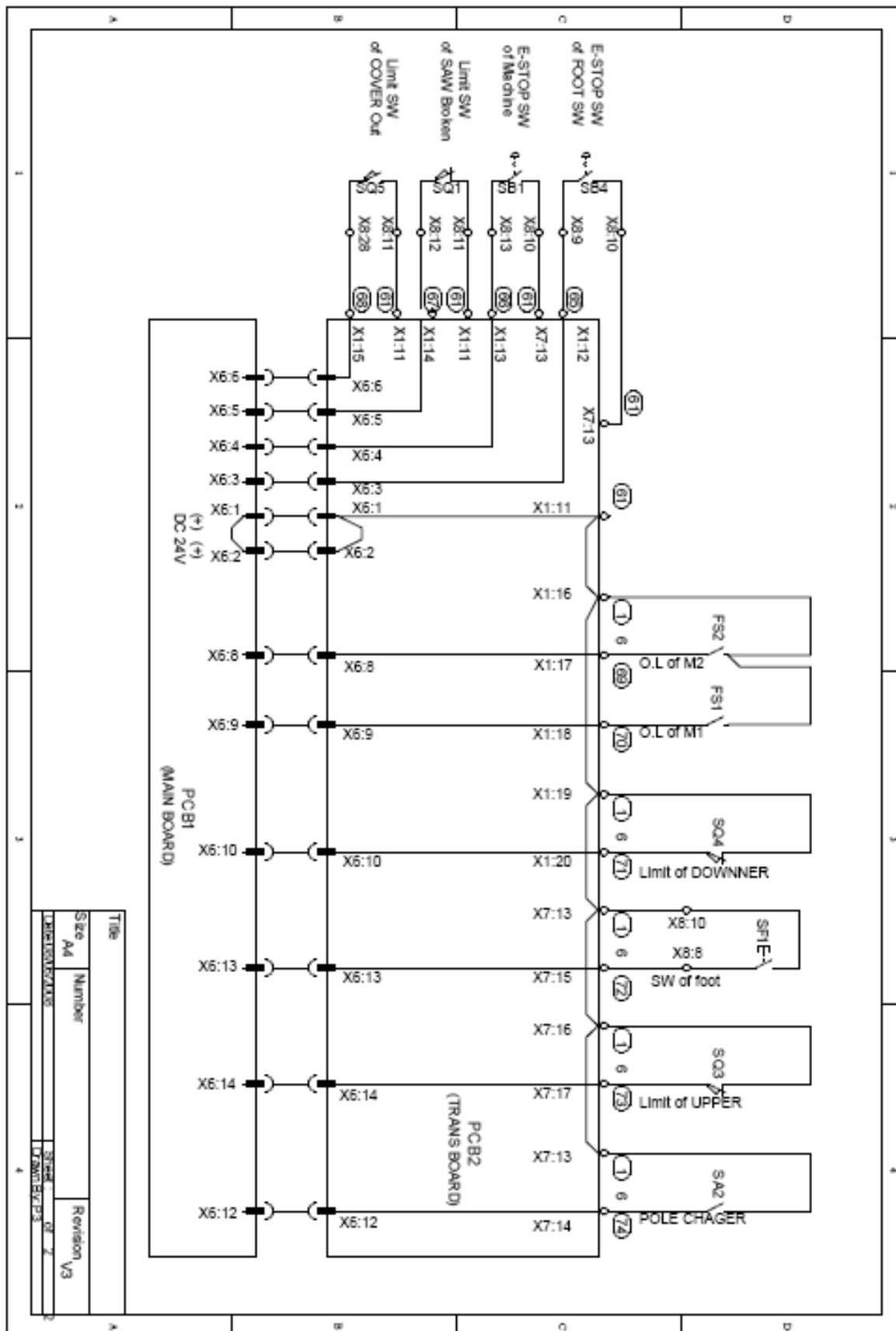
Le niveau sonore de la machine en charge a été de 73dB. REMARQUE: Le niveau sonore des bruits de la machine en marche peut varier en fonction des matériaux en cours de coupe.

Il est donc à l'utilisateur d'évaluer l'intensité des bruits et, si nécessaire, de fournir aux opérateurs des équipements de protection individuelle adéquats, comme requis par la loi 277/1991.

ELECTRICAL DIAGRAM / ELEKTRISCHE ANLAGE / SCHÉMA ÉLECTRIQUE  
SX-823DGSVI



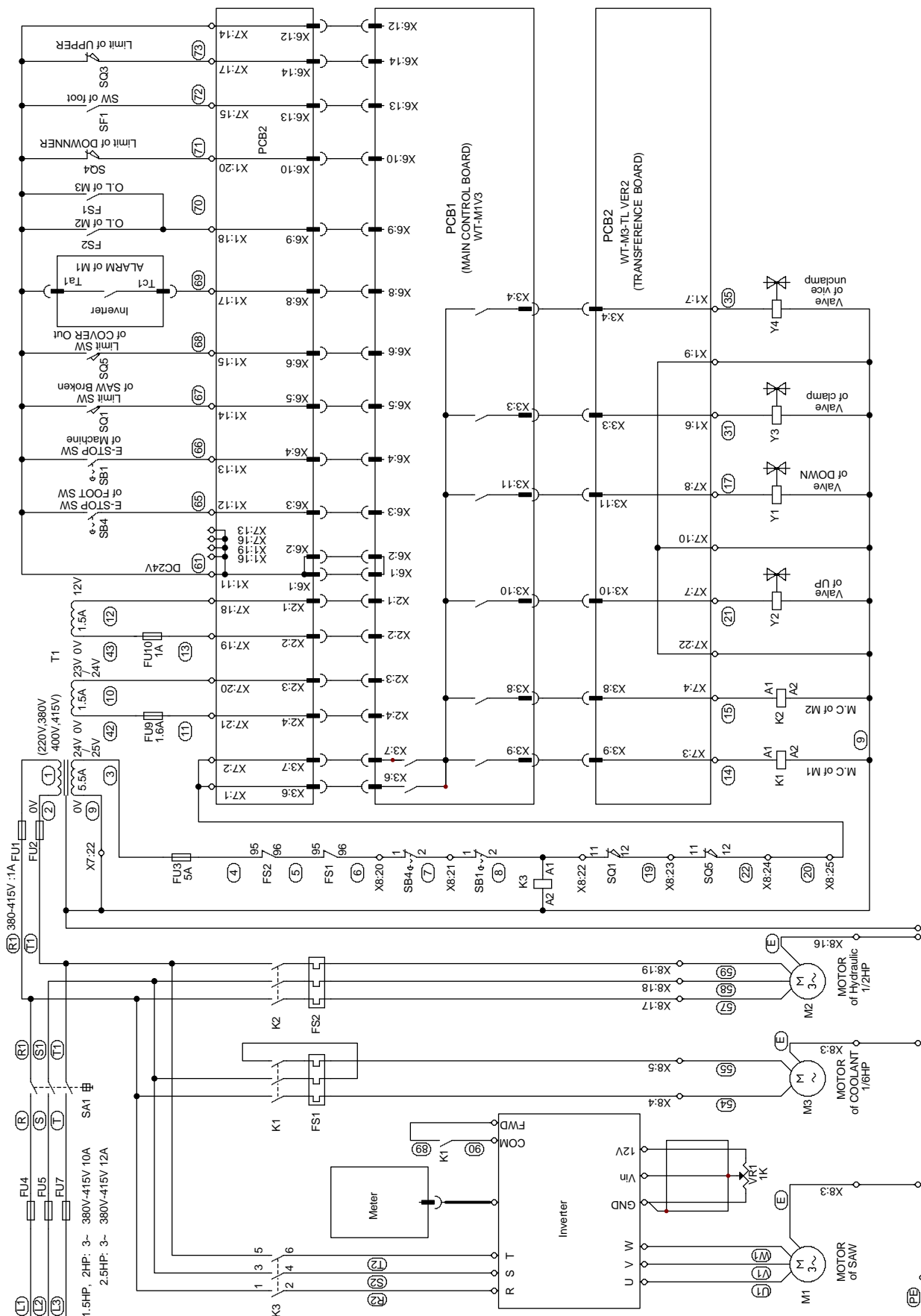
ELECTRICAL DIAGRAM / ELEKTRISCHE ANLAGE / SCHÉMA ÉLECTRIQUE  
SX-823DGSVI



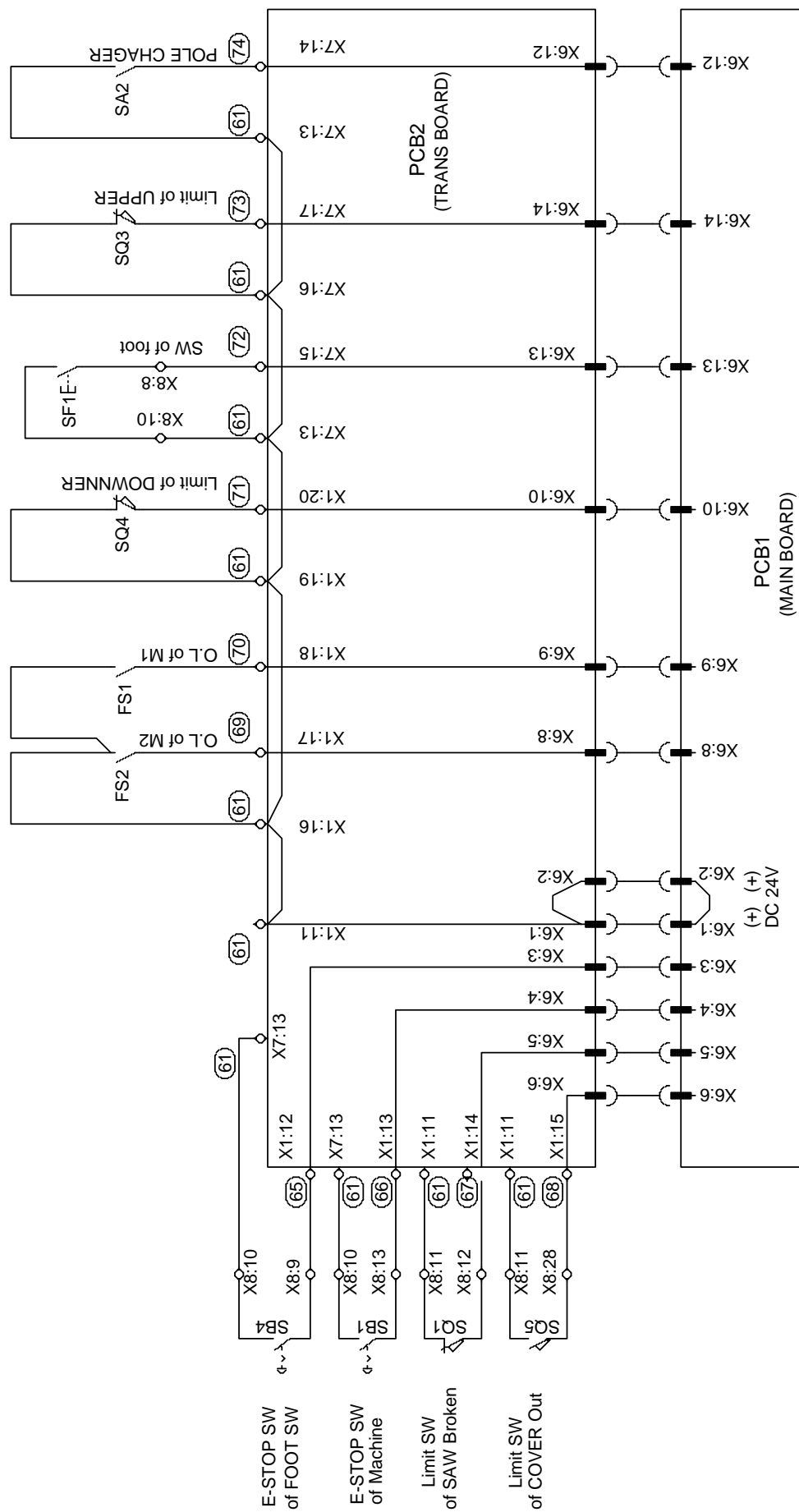


# ELECTRICAL DIAGRAM / ELEKTRISCHE ANLAGE / SCHÉMA ÉLECTRIQUE

## SX-827DGSVI




ELECTRICAL DIAGRAM / ELEKTRISCHE ANLAGE / SCHÉMA ÉLECTRIQUE  
SX-827DGSVI

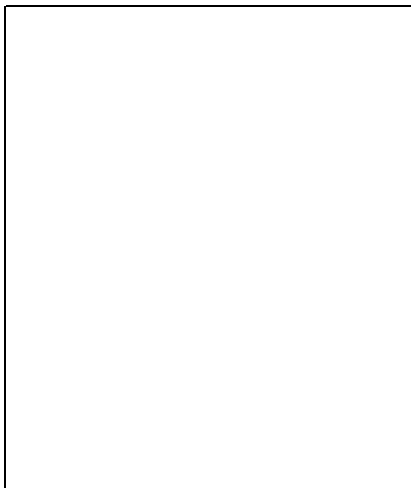


## 11. DEPANNAGE

Ce chapitre énumère les défauts probables et les défaillances qui pourraient survenir pendant l'utilisation de la machine et suggère des solutions possibles pour remédier aux problèmes.

### 11.1 Diagnostic pour la lame et la coupe

ERREUR	CAUSE PROBABLE	REMEDE
<p>DENT CASSEE</p> 	<p>La lame avance trop vite.</p> <p>Vitesse de coupe inappropriée</p> <p>La longueur de dent inadaptée</p> <p>Copeaux adhérant sur les dents et dans les voies ou matériau qui collent</p> <p>Défauts de matériau ou matériau trop dur.</p> <p>Mauvaise préhension de la pièce dans l'étau.</p> <p>La lame se coince dans le matériau.</p> <p>Commencer par la coupe de profilés tranchants de forme irrégulière.</p> <p>Lame de qualité médiocre</p> <p>Les dents cassées n'ont pas été enlevées de l'outil.</p> <p>Coupe reprise sur une rainure faite précédemment.</p> <p>Vibrations</p>	<p>Réduire la vitesse d'avance en baissant la tension du ruban. Régler le dispositif de freinage.</p> <p>Changer la vitesse et/ou le type de lame. Voir le chapitre sur la «CATEGORIE DES MATÉRIAUX ET CHOIX D'OUTIL», dans la section Tableau Choix de la lame de scie en fonction de la vitesse de coupe et d'avance.</p> <p>Choisir une lame convenable. Voir le chapitre sur la «CATEGORIE DES MATÉRIAUX ET CHOIX D'OUTIL».</p> <p>Vérifier si les orifices de sortie de réfrigérant sur les blocs de guide lame sont bouchés et si le flux de réfrigérant est suffisant pour évacuer les copeaux de la lame de scie.</p> <p>Les surfaces de matériau peuvent être oxydées ou couvertes d'impuretés, les rendant, au début de la coupe, plus dures que la lame elle-même. Elles peuvent avoir également des zones dures ou des inclusions dans le profilé à cause des agents tels que le sable coulé, déchets de soudure, etc., utilisés lors de la production. Éviter de couper ces matériaux. Au cas où la coupe est nécessaire, procéder avec le plus grand soin, nettoyer et enlever ce genre d'impuretés le plus vite possible.</p> <p>Vérifier la préhension de la pièce dans l'étau.</p> <p>Réduire la vitesse d'avance et essayer une pression de coupe plus faible.</p> <p>Accorder une plus grande attention lors du commencement de la coupe.</p> <p>Utiliser une lame de qualité supérieure.</p> <p>Enlever toutes les pièces laissées sur l'outil.</p> <p>Effectuer la coupe ailleurs en tournant la partie. Vérifier la préhension de la pièce dans l'étau.</p>

**ERREUR****CAUSE PROBABLE**

Longueur ou forme de denture inappropriée.

Réfrigérant et lubrifiant insuffisant ou mauvaise émulsion.

Dents placées dans le mauvais sens.

**REMEDE**

Remplacer la lame de scie par une autre plus adaptée. Voir le chapitre « Catégorie des matériaux et choix de l'outil » dans la section Types de lame de scie. Régler les blocs de guide lame.

Vérifier le niveau du liquide dans le réservoir. Augmenter le flux du réfrigérant-lubrifiant et vérifiez que le trou et le tuyau de sortie du liquide ne sont pas bouchés. Vérifier le pourcentage d'émulsion.

Placer les dents dans le bon sens.

**USURE DE LAME PREMATUREE**

Rodage incorrect de la lame

Dents placées dans le mauvais sens.

Lame de qualité médiocre

La lame avance trop vite.

Vitesse de coupe inappropriée

Les défauts de matériau ou matériau trop dur

Réfrigérant et lubrifiant insuffisant ou mauvaise émulsion.

Voir le chapitre « Catégorie des matériaux et choix de l'outil » dans la section Rodage de la lame de scie.

Placer les dents dans le bon sens.

Utiliser une lame de qualité supérieure.

Réduire la vitesse d'avance en baissant la tension du ruban. Ajuster l'appareil de freinage.

Changer la vitesse et/ou le type de lame. Voir le chapitre sur la « CATEGORIE DES MATÉRIAUX ET CHOIX D'OUTIL », dans la section Table de sélection de lames en fonction de la vitesse de coupe et d'avance.

Les surfaces de matériau peuvent être oxydées ou couvertes d'impuretés, les rendant, au début de la coupe, plus dures que la lame elle-même. Elles peuvent avoir également des zones dures ou des inclusions dans le profilé à cause des agents tels que le sable coulé, déchets de soudure, etc., utilisés lors de la production. Éviter de couper ces matériaux. Au cas où la coupe est nécessaire, procéder avec le plus grand soin. Nettoyer et enlever les impuretés au plus vite possible.

Vérifier le niveau du liquide dans le réservoir. Augmenter la vitesse du réfrigérant. S'assurer que l'orifice et le tuyau d'évacuation ne sont pas bouchés. Vérifier le pourcentage d'émulsion.

**LAME CASSEE**

Lame de scie mal soudée.

La qualité de soudage de la lame de scie est d'une extrême importance. Les surfaces de contact doivent être parfaitement assorties et ne doivent

**ERREUR****CAUSE PROBABLE**

La lame avance trop vite.

Vitesse de coupe inappropriée

La longueur de dent inadaptée

Mauvaise préhension de la pièce dans l'étau.

La lame de scie touche la pièce à scier au début de la coupe.

**REMEDE****REMEDE**

pas comporter d'inclusions ou de bulles. La partie soudée doit être entièrement lisse et plane. Ils doivent avoir la même épaisseur et ne doivent pas être bosselés qui pourraient causer des bosses ou la cassure pendant le glissement entre les blocs de guidage.

Réduire la vitesse d'avance en baissant la tension du ruban.  
Régler le dispositif de freinage.

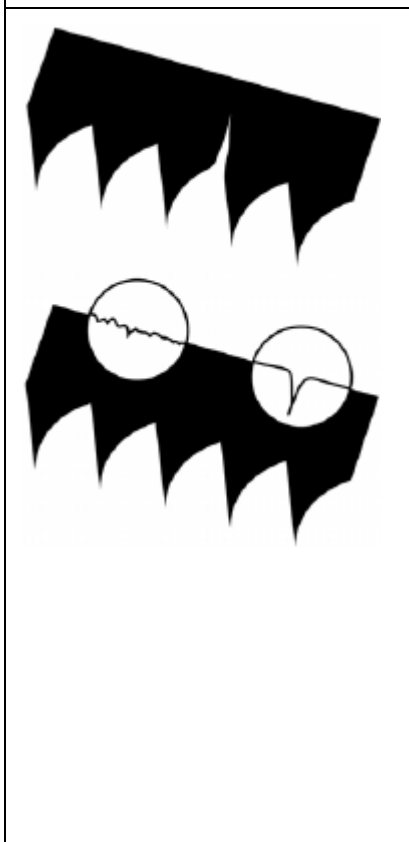
Changer la vitesse et/ou le type de lame.

Voir le chapitre sur la «CATEGORIE DES MATÉRIAUX ET CHOIX D'OUTIL», dans la section Table de sélection de lames en fonction de la vitesse de coupe et d'avance.

Choisir une lame convenable. Voir le chapitre sur la «CATEGORIE DES MATÉRIAUX ET CHOIX D'OUTIL».

Vérifier la préhension de la pièce dans l'étau.

Lors du commencement de la coupe, ne jamais descendre l'archet avant de démarrer le moteur de la lame.



Blocs de guidage non réglés ou encrassés dû à un manque d'entretien.

Bloc de guide lame trop éloigné du matériau à couper.

Mauvaise position de la lame sur les volants

Réfrigérant-lubrifiant insuffisant ou mauvaise émulsion.

Vérifier l'espace entre les blocs de guidage (voir « Réglage de la machine » dans la section Guidage de la lame de scie) : un guidage extrêmement précis peut entraîner des fissures et la rupture des dents. Nettoyer avec le plus grand soin.

Approcher la tête le plus près possible de la pièce à usiner de façon à ce que seules les dents d'attaque soient libres. Ce qui permet d'éviter des déflexions qui risqueraient de susciter une tension trop importante de la lame.

Le dos de la lame de scie frotte sur le support en raison de la déformation ou du mauvais soudage de la lame de scie, entraînant des fissures et des bosses sur le contour arrière.

Vérifier le niveau du liquide dans le réservoir. Augmenter le flux du réfrigérant-lubrifiant et vérifiez que le trou et le tuyau de sortie du liquide ne sont pas bouchés. Vérifier le pourcentage d'émulsion.

**RUBANS RAYÉS OU ERRAFLÉS**

Blocs de guidage endommagés ou morcelés

Paliers de guidage coincés ou relâchés.

Remplacer les blocs de guidage.

Régler les paliers (voir « Réglage de la machine » dans la section Guidage de la lame de scie).

## ERREUR

## COUPE NON DROITE

## CAUSE PROBABLE

Lame de scie n'est pas parallèle au contre-étai

Lame de scie non perpendiculaire en raison du jeu important entre les blocs de guidage et des blocs mal réglés.

La lame avance trop vite.

Lame de scie usée.

La longueur de dent inadaptée

## REMEDE

Vérifier si les fixations des guides lame ne sont pas trop lâches par rapport au contre-étai et mettre les blocs en position verticale ; aligner, si nécessaire, les degrés et ajuster les vis de butée pour les coupes d'angles.

Vérifier et régler les blocs de guidage en position verticale ; rajuster le jeu du guidage latéral (voir « Réglage de la machine » dans la section Guidage de la lame de scie).

Réduire la vitesse d'avance en baissant la tension du ruban.

Régler le dispositif de freinage. Approcher la lame le plus près possible de la pièce à usiner de façon à ce que seules les dents d'attaque soient libres. Ce qui permet d'éviter des déflexions qui risqueraient de solliciter extrêmement la lame.

Remplacer la lame. En cas d'utilisation d'une lame de scie au nombre de dents élevé, la remplacer par une lame avec moins de dents (voir le chapitre « Catégorie des matériaux et choix de l'outil » dans la section Types de lame de scie).

Dents cassées

Réfrigérant et lubrifiant insuffisant ou mauvaise émulsion.

Une coupe irrégulière de la lame de scie due au manque de dents peut provoquer des écarts par rapport à la ligne de coupe. Contrôler la lame de scie et la remplacer si nécessaire.

Vérifier le niveau du liquide dans le réservoir. Augmenter la vitesse d'écoulement du réfrigérant-lubrifiant et s'assurer que l'orifice et le tuyau d'évacuation ne sont pas bouchés. Vérifier le pourcentage d'émulsion.

## MAUVAISE COUPE

Volants usés. Le carter du volant est rempli de copeaux.

Le support et la bride du guide du ruban sont usés de telle sorte qu'ils ne peuvent plus assurer l'alignement de la lame de scie, ce qui entraîne des coupes de mauvaise qualité. Remplacer les blocs de guidage. Nettoyer avec de l'air comprimé.

**ERREUR****SURFACE DE COUPE RAYÉE****CAUSE PROBABLE**

La lame avance trop vite.

Lame de qualité médiocre

Lame de scie usée ou dents rognées et/ou cassées.

La longueur de dent inadaptée

Bloc de guide lame trop éloigné du matériau à couper.

Réfrigérant-lubrifiant insuffisant ou mauvaise émulsion.

**REMEDE**

Réduire la vitesse d'avance en baissant la tension du ruban. Régler le dispositif de freinage.

Utiliser une lame de qualité supérieure.

Remplacer la lame.

Il se peut que l'espace entre les dents de la lame de scie utilisée soit trop grand. Utiliser une lame de scie avec plus de dents (voir Chapitre « Catégorie des matériaux et choix de l'outil », dans la section Types lame de scie).

Approcher la lame le plus près possible de la pièce à usiner de façon à ce que seules les dents d'attaque soient libres. Ce qui permet d'éviter des déflexions qui risqueraient de solliciter extrêmement la lame.

Vérifier le niveau du liquide dans le réservoir. Augmenter la vitesse d'écoulement du réfrigérant-lubrifiant et s'assurer que l'orifice et le tuyau d'évacuation sont pas bouchés. Vérifier le pourcentage d'émulsion.

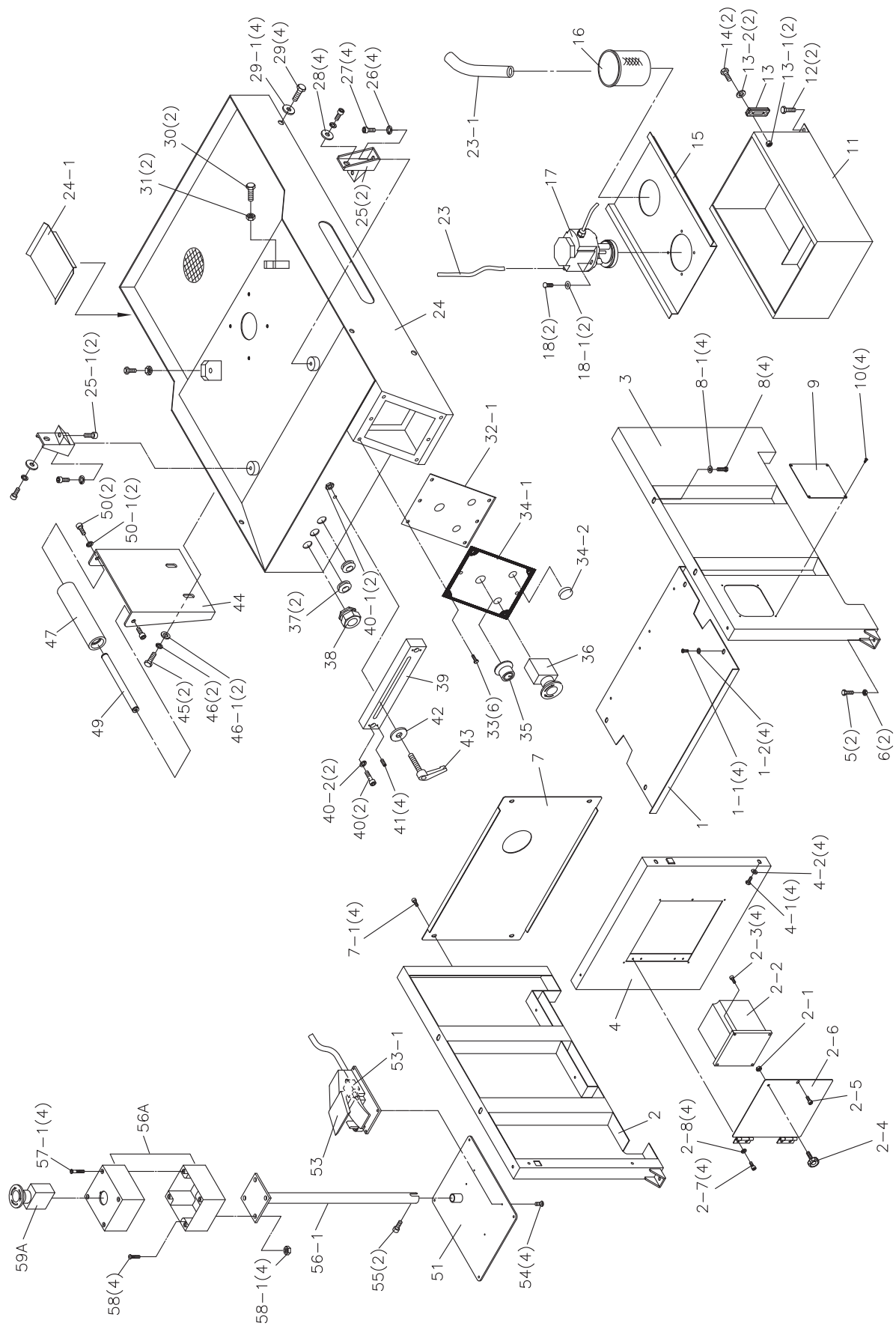
**FONCTIONNEMENT BRUYANT DES BLOCS DE GUIDAGE**

Paliers ébréchés, usés ou coussinets endommagés

Saleté et/ou copeaux entre la lame et les paliers de guidage. Remplacer les blocs de guidage.

EXPLOSION DRAWING / ERSATZTEILZEICHNUNG / VUE ÉCLATÉE

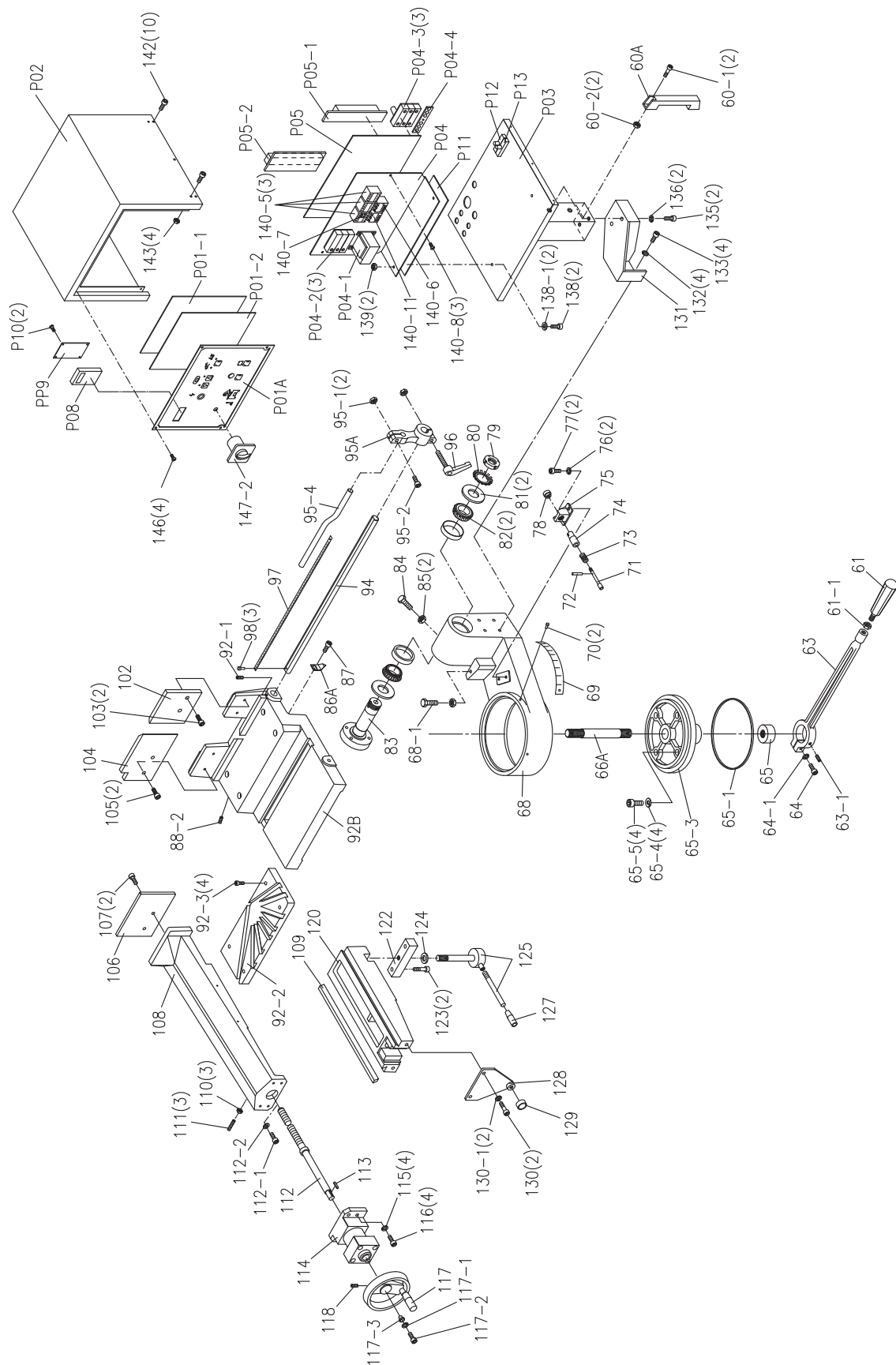
**SX-823DGSVI**





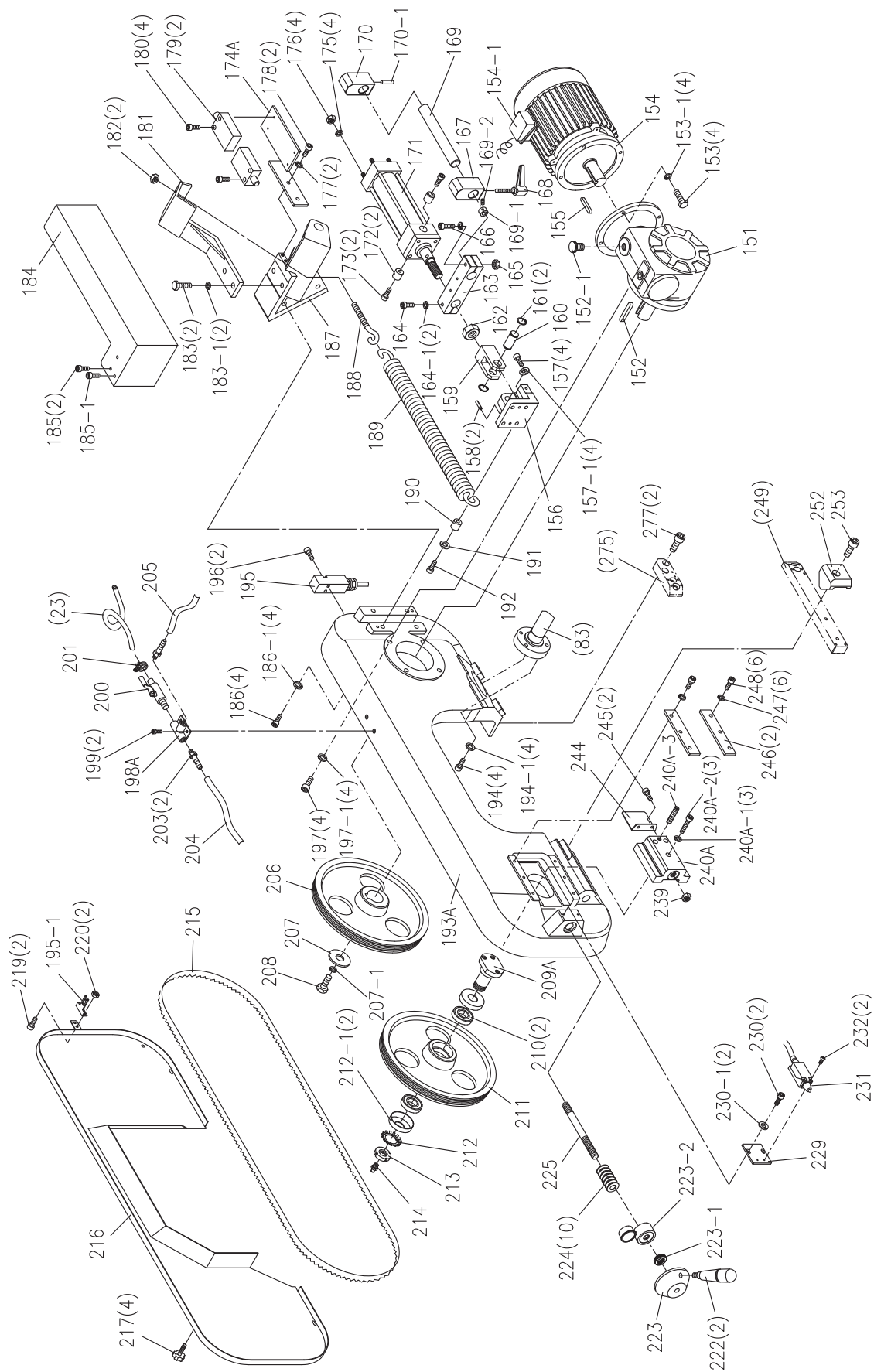
## EXPLOSION DRAWING / ERSATZTEILZEICHNUNG / VUE ÉCLATÉE

## SX-823DGSVI



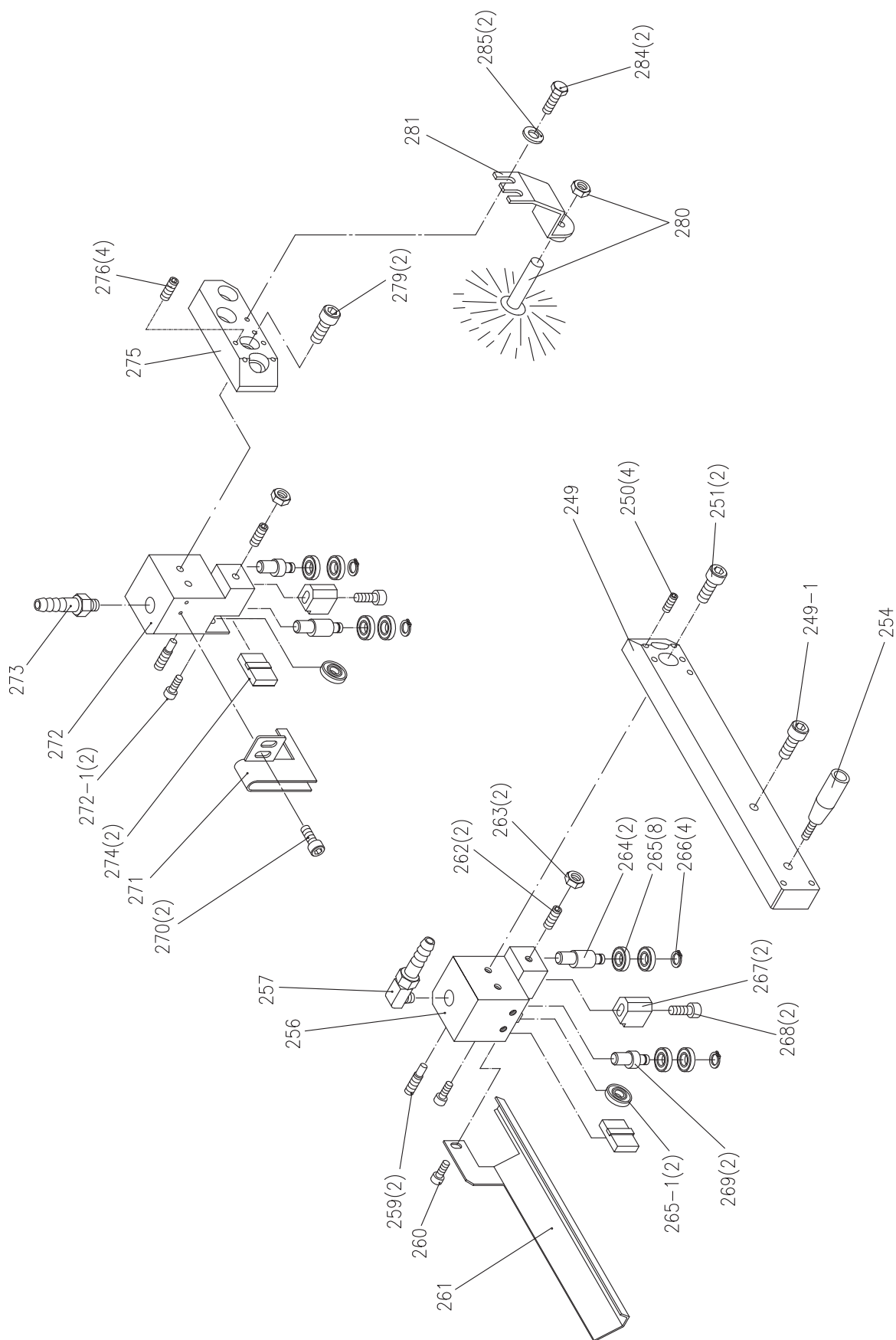
EXPLOSION DRAWING / ERSATZTEILZEICHNUNG / VUE ÉCLATÉE

**SX-823DGSVI**



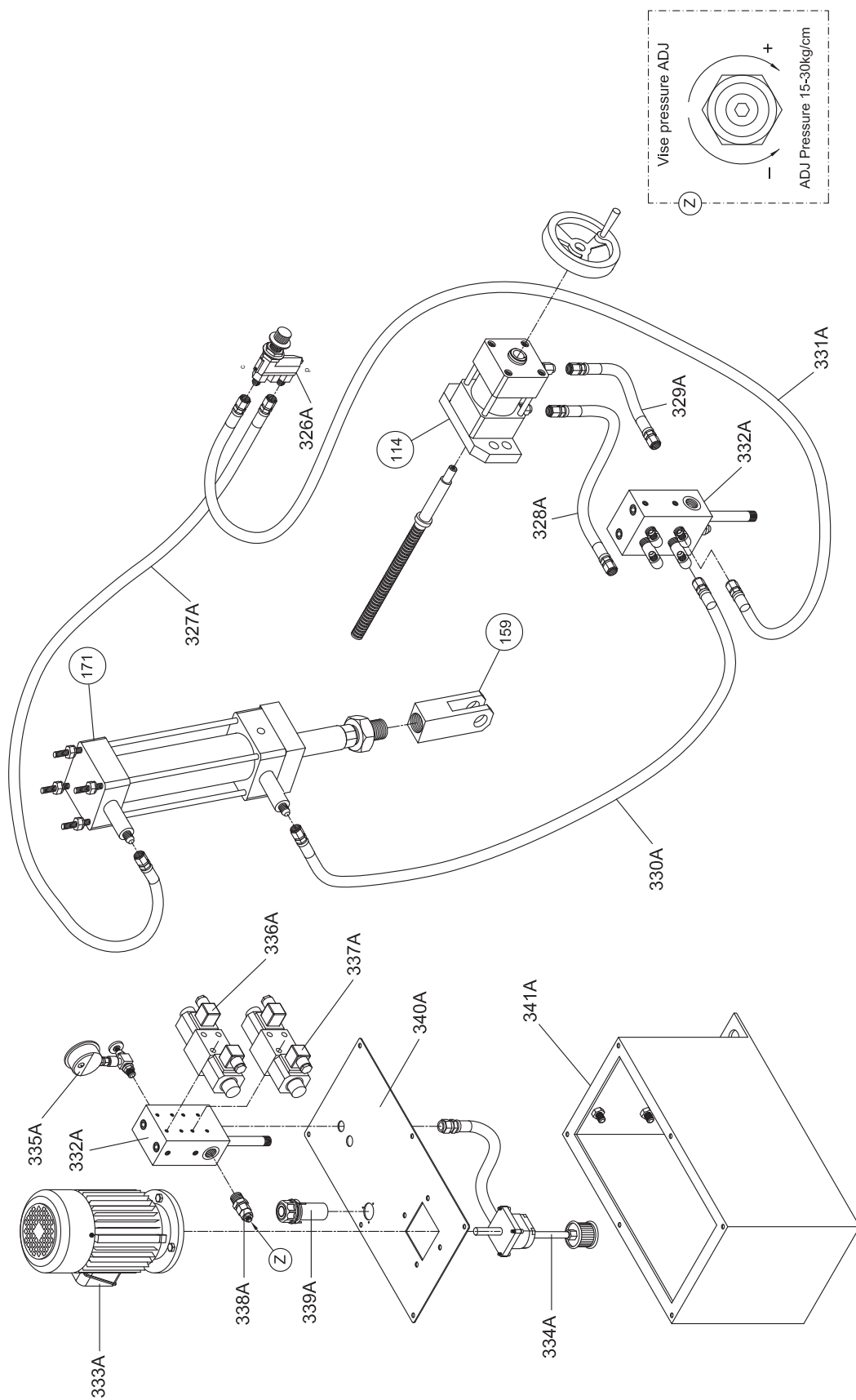
EXPLOSION DRAWING / ERSATZTEILZEICHNUNG / VUE ÉCLATÉE

**SX-823DGSVI**



EXPLOSION DRAWING / ERSATZTEILZEICHNUNG / VUE ÉCLATÉE

**SX-823DGSVI**



## PART LIST / ERSATZTEILLISTE / LISTE DES PIÈCES DÉTACHÉES

## SX-823DGSVI

1	PM823001N	Base (Bottom Plate) / Platte / Plaque	
1-1	TS-1490021	Hex Cap Screw / Schraube / Vis	M8x16
1-2	PM823004-2N	Flat Washer / Scheibe / Rondelle	18x8x2
2	PM823002N	Base (Left Part) / Platte / Plaque links	
2-1	TS-1540041	Hex Cap Screw / Schraube / Vis	M6
2-2	PM823002-2	Inverter / Frequenzumformer / Boitier électronique	2HP 3PH 400V
2-3	TS-1502041	Socket Head Cap Screw / Schraube / Vis	
2-4	PM823217	Plum Screw / Schraube / Vis	M6x10
2-5	TS-1503011	Socket Head Cap Screw / Schraube / Vis	M6x8
2-6	PM823002-6	Plate / Abdeckung / Couvercle	
2-7	TS-1503011	Socket Head Cap Screw / Schraube / Vis	M6x8
2-8	TS-2361061	Lock Washer / Federring / Rondelle	M6
3	PM823003N	Base (Right Part) / Platte / Plaque rechts	
4	PM823004N	Base (Front Part) / Seitenwand L / Paroi G	
4-1	TS-1490021	Hex Cap Screw / Schraube / Vis	M8x16
4-2	PM823004-2N	Flat Washer / Scheibe / Rondelle	18x8x2
5	TS-1492041	Hex Cap Screw / Schraube / Vis	M12x40
6	TS-1540081	Hex Nut / Mutter / Ecrou	M12
7	PM823019N	Base (Rear Part) / Seitenwand R / Paroi D	
7-1	TS-1503011	Socket Head Cap Screw / Schraube / Vis	M6x8
8	TS-1491021	Hex Cap Screw / Schraube / Vis	M10x20
8-1	PM823003-1N	Flat Washer / Scheibe / Rondelle	25x10x2
9	PM823009N	Plate / Abdeckung / Couvercle	
10	TS-1502011	Socket Head Cap Screw / Schraube / Vis Cap Screw	M5x8
011	PM823011	Coolant Tank / Behälter / Réservoir	
	PM823011A	Coolant Tank Assembly Including 11-16	
012	TS-1490021	Hex Cap Screw / Schraube / Vis	M8x16
013	PM823013	Coolant Gauge 3" / Anzeige / Verre niveau	
013-1	TS-1540071	Hex Nut / Mutter / Ecrou	M10
013-2	PM823013-2	Flat Washer / Scheibe / Rondelle	10x10x3
014	TS-2210161	Hex Cap Screw / Schraube / Vis	M10x16
015	PM823015	Tank Cover / Platte / Plaque	
016	PM823016	Filter / Filter / Filtre	
17	PM823017	Pump / Pumpe / Pompe	50W 400V
018	TS-1503061	Socket Head Cap Screw / Schraube / Vis	M6x25
018-1	PM823018-1	Flat Washer / Scheibe / Rondelle	6x13x1
023	PM823023	Hose / Schlauch / Tube	5/16"x210cm
023-1	PM823023-1	Hose / Schlauch / Tube	1"x46cm
024	PM823024B	Coolant And Chip Tray / Spänewanne / Puces baignoire	
024-1	PM823024-1	Coolant Plate / Platte / Plaque	
025	PM823025	Mounting Bracket / Flansch / Support	
025-1	TS-1504031	Socket Head Cap Screw / Schraube / Vis	M8x16
026	TS-2361101	Lock Washer / Federring / Rondelle	M10
027	TS-1505021	Socket Head Cap Screw / Schraube / Vis	M10x20
028	PM823003-1N	Flat Washer / Scheibe / Rondelle	25x10x2
029	TS-1491021	Hex Cap Screw / Schraube / Vis	M10x20
029-1	PM823003-1N	Flat Washer / Scheibe / Rondelle	25x10x2
030	TS-1492041	Hex Cap Screw / Schraube / Vis	M12x40
031	TS-1540081	Hex Nut / Mutter / Ecrou	M12
032-1	PM823032-1	Control Box Cover / Gehäuse / Carcasse	
033	TS-1533032	Machine Screw Pan HD / Schraube / Vis	M5x10
034-1	PM823034-1	Control Box Panel / Fronttafel / Panneau	
034-2	PM823034-2	Flow regulator / Absenkventil / Valve hydraulique de decente	
035	PM823035	Blade Speed Knob / Drehzahlregler / Inter vitesse	
036	PM823036A	Emergency Stop Switch / Not-/Ausschalter / Inter Poing	
037	PM823037	Lock Washer / Federring / Rondelle	
038	PM823038	Lock Washer / Federring / Rondelle	1/2"
039	PM823039	Track / Flansch / Support	
040	TS-1504071	Socket Head Cap Screw / Schraube / Vis	M8x35
040-1	TS-1540061	Hex Nut / Mutter / Ecrou	M8
040-2	TS-2361081	Lock Washer / Federring / Rondelle	M8

## PART LIST / ERSATZTEILLISTE / LISTE DES PIÈCES DÉTACHÉES

## SX-823DGSVI

041	TS-1523041	Socket Set Screw / Schraube / Vis	M6x12
042	PM823042	Flat Washer / Scheibe / Rondelle	
043	PM823043	Handle / Feststellgriff / Poignée	M8x25
044	PM823044	Roller Stand / Halter / Support	
045	TS-1492011	Hex Cap Screw / Schraube / Vis	M12x25
046	TS-2361121	Lock Washer / Federring / Rondelle	M12
046-1	PM823046-1	Flat Washer / Scheibe / Rondelle	12x28x3
047	PM823047	Roller / Rolle / Rouleau	50.8x268mm
049	PM823049	Roller Shaft / Welle / Axe	1/2"x269mm
050	TS-1505021	Socket Head Cap Screw / Schraube / Vis Cap Screw	M10x20
050-1	TS-2361081	Lock Washer / Federring / Rondelle	M8
051	PM823051	Pedal plate / Platte / Support	
053	PM823053	Pedal / Fusspedal / Pedal	
053-1	PM823053-1	Micro switch / Mikroschalter / Inter micro	
054	TS-1532032	Machine Screw Pan HD / Schraube / Vis	M4x10
055	TS-1503011	Socket Head Cap Screw / Schraube / Vis Cap Screw	M6x8
056-1	PM823056-1	Pipe / Hebel / Levier	
056A	PM823056A	Emergency switch box / Schalterkasten / Boîte interrupteur	
057-1	PM823057-1	Flat head cross screw / Schraube / Vis	M4x45
058	TS-1502011	Socket Head Cap Screw / Schraube / Vis	M5x8
058-1	TS-1540021	Hex Nut / Mutter / Ecrou	
059A	PM823036A	Emergency Stop Switch / Not-/Ausschalter / Inter Poing	
060-1	TS-1504041	Socket Head Cap Screw / Schraube / Vis	M8x20
060-2	TS-1540061	Hex Nut / Mutter / Ecrou	M8
060A	PM823060	Handle / Griff / Poignée	
061	PM823061	Handle / Griff / Poignée	M12x25
061-1	TS-1540081	Hex Nut / Mutter / Ecrou	M12
063	PM823063	Locking Lever / Locking Lever / Spannhebel Levier	
063-1	TS-1525031	Socket Set Screw / Schraube / Vis	M10x16
064	TS-1505051	Socket Head Cap Screw / Schraube / Vis	M10x35
064-1	TS-2361101	Lock Washer / Federring / Rondelle	M10
065	PM823065	Shaft Nut / Mutter / Ecrou	
065-1	PM823065-1	Oil Seal / O-Ring / O-ring	4x675mm
065-3	PM823065-3	Disk / Drehflansch / Support	
065-4	TS-2361081	Lock Washer / Federring / Rondelle	M8
065-5	TS-1504061	Socket Head Cap Screw / Schraube / Vis	M8x30
066A	PM823066A	Shaft / Achswelle / Arbre	
068	PM823068	Swivel Arm / Drehteil / Support bras	
068-1	TS-1491061	Hex Cap Screw / Schraube / Vis	M10x40
069	PM823069	Scale / Skala / Scale	
070	PM823070	Rivet / Niete / Rivet	2.3x4
071	PM823071	Pin / Stift / Goupille	
072	PM823072	Hollow Pin / Stift / Goupille	2.5x16
073	PM823073	Spring / Feder / Ressort	0.8x9x30mm
074	PM823074	Bushing / Büchse / Boîte	
075	PM823075	Bracket / Halter / Support	
076	TS-2361081	Lock Washer / Federring / Rondelle	M8
077	TS-1504051	Socket Head Cap Screw / Schraube / Vis	M8x25
078	PM823078	Knob / Griff / Bouton	
079	PM823079	Jam Nut / Mutter / Ecrou	M35
080	PM823080	Star Washer / Sicherungsscheibe / Rondelle	M35
081	PM823081	Anti-Dust Cover / Abdeckung / Couvercle	35mm
082	BB-32007	Tapered Roller Bearing / Rollenlager / Roulement	32007
083	PM823083	Shaft / Welle / Axe	
084	TS-1491061	Hex Cap Screw / Schraube / Vis	M10x40
085	TS-1540071	Hex Nut / Mutter / Ecrou	M10
086A	PM823086A	Pointer / Pfeil / Flèche	
087	TS-1502011	Socket Head Cap Screw / Schraube / Vis	M5x8
088-2	TS-1524021	Socket Set Screw / Schraube / Vis	M8x10
092-1	TS-1523041	Socket Set Screw / Schraube / Vis	M6x12
092-2	PM823092-2	Changeable Plate / Tischeinsatzplatte / Plate insert table	

## PART LIST / ERSATZTEILLISTE / LISTE DES PIÈCES DÉTACHÉES

## SX-823DGSVI

092-3	TS-1504031	Socket Head Cap Screw / Schraube / Vis	M8x16
092B	PM823092B	Table / Tischeinsatzplatte / Plate insert table	
094	PM823094	Stop-Rod / Anschlagstange / Guide barre	
095-1	TS-1540061	Hex Nut / Mutter / Ecrou	M8
095-2	TS-1504051	Socket Head Cap Screw / Schraube / Vis	M8x25
095-4	PM823095-4	Stop Bar / Anschlag / Guide	
095A	PM823095A	Guide / Führung / Guide	
096	PM823043	Handle / Feststellgriff / Poignée	M8x25
097	PM823097	Scale / Messband / Scale	0-50 cm
098	PM823098	Rivet / Niete / Rivet	2x5
102	PM823102	Vise Jaw - Right / Spannstockbacke / Mâchoire étau (2206V03491 and lower)	
	PM823102N	Vise Jaw - Right / Spannstockbacke / Mâchoire étau (23xxV03492 and higher)	
103	TS-1503041	Socket Head Cap Screw / Schraube / Vis	
104	PM823104	Vise Jaw - Left / Spannbacke / Mâchoire étau (2206V03491 and lower)	
	PM823104N	Vise Jaw - Left / Spannbacke / Mâchoire étau (23xxV03492 and higher)	
	PM823104-VJA	Vise Jaw Assembly (including 102,104) (23xxV03492 and higher)	
105	TS-1503041	Socket Head Cap Screw / Schraube / Vis	M6x16
106	PM823106	Vise Jaw - Front / Spannbacke / Mâchoire étau	
107	TS-1514021	Socket Head Flat Screw / Schraube / Vis	M6x16
108	PM823108	Movable Vise / Spannstock / Etau	
109	PM823109	Dovetail Plate / Einstelleiste / Guide	
110	TS-1540031	Hex Nut / Mutter / Ecrou	M5
111	PM823111	Set Screw / Schraube / Vis	M5x25
112	PM823112		
112-1	TS-1504031	Socket Head Cap Screw / Schraube / Vis	M8x16
112-2	PM823286-3	Flat Washer / Scheibe / Rondelle	8x23x2
113	PM823113	Key / Keil / Clavette	5x5x15
114	PM823114	Hydraulic Cylinder Post / Halter / Porteur	
115	TS-2361081	Lock Washer / Federring / Rondelle	
116	TS-1504051	Socket Head Cap Screw / Schraube / Vis	M8x25
117	PM823117	Hand Wheel / Handrad / Manivelle	6-1/2"
117-1	TS-2361061	Lock Washer / Federring / Rondelle	M6
117-2	TS-1503061	Socket Head Cap Screw / Schraube / Vis	M6x25
117-3	PM823117-3	Bushing / Büchse / Douille	
118	TS-1524021	Socket Set Screw / Schraube / Vis	M8x10
120	PM823120	Vise Seat / Spannstock Grundstock / Eteu fixe	
122	PM823122	Vise Setting Plate / Flansch / Flasque	31.75x122mm
123	TS-1505041	Socket Head Cap Screw / Schraube / Vis	M10x30
124	PM823124	Flat Washer / Scheibe / Rondelle	3/4x37x3.0
125	PM823125	Lock Lever Device / Spannbolzen / Axe blocage	M16x190
127	PM823127	Handle / Griff / Poignée	1/2"
128	PM823128	Setting Plate / Platte / Support	
129	PM823129	Bushing / Büchse / Douille	
130	TS-1504041	Socket Head Cap Screw / Schraube / Vis	M8x20
130-1	TS-2361081	Lock Washer / Federring / Rondelle	M8
131	PM823131	Electric Box Holder / Halter / Support	
132	TS-2361081	Lock Washer / Federring / Rondelle	M8
133	TS-1504041	Socket Head Cap Screw / Schraube / Vis	M8x20
135	TS-1505031	Socket Head Cap Screw / Schraube / Vis	M10x25
136	TS-2361101	Lock Washer / Federring / Rondelle	M10
138	TS-1503061	Socket Head Cap Screw / Schraube / Vis	M6x25
138-1	TS-2361061	Lock Washer / Federring / Rondelle	M6
139	TS-1540041	Hex Nut / Mutter / Ecrou	M6
140-11	PM823140-11	Overload Relay / Ueberlastrelais / Relais de protection	
140-5	PM823140-5	Magnetic Switch / Kontaktschütze / Contacteur	C-9D
140-6	PM823144-4	Overload Relay / Ueberlastrelais / Relais de protection	

## PART LIST / ERSATZTEILLISTE / LISTE DES PIÈCES DÉTACHÉES

## SX-823DGSVI

140-7	PM823140-7	Sub-connector / Kontaktklemme / Serrer câble	
140-8	TS-1482031	Hex Cap Screw / Schraube / Vis	M6x16
142	TS-1502011	Socket Head Cap Screw / Schraube / Vis Cap Screw	M5x8
143	TS-1540031	Hex Nut / Mutter / Ecrou	M5
146	TS-1533032	Machine Screw Pan HD / Schraube / Vis	M5x10
147-2	PM823147-2	Main Power Switch / Schalter / Interrupteur	ZH-HD-2
151	PM823151A	Gear Box / Getriebe / Boîte engrenage	(70/#1/25)
152	PM823152	Key / Keil / Clavette	8x7x30mm
152-1	PM823151-1A	Vent Screw / Oelschraube / Vis huile	PT-1/4"
153	TS-1490041	Hex Cap Screw / Schraube / Vis	M8x25
153-1	TS-2361081	Lock Washer / Federring / Rondelle	M8
154	PM823154A	Motor / Motor / Moteur	1.1kW 400V 3PH 4P
154-1	PM823154-1	Junction Box / Anschlussdose / Anschlussdose	
155	PM823155	Key / Keil / Clavette	8x7x40
156	PM823156	Anchoring dowel / Halter / Support	
157	TS-1504051	Socket Head Cap Screw / Schraube / Vis Cap Screw	M8x25
157-1	TS-2361081	Lock Washer / Federring / Rondelle	M8
158	PM823158	Hollow pin / Spannstift / Goupille	6x20
159	PM823159	Coupling fork / Gabel / Fourchette	
160	PM823160	Pin / Stift / Goupille	
161	PM823161	C-Ring / Sicherungsring / Circlip	S-20
162	TS-2310201	Hex Nut / Mutter / Ecrou	M20
163	PM823163	Rod supporting block / Klemm-faansch / support	
164	TS-1505051	Socket Head Cap Screw / Schraube / Vis Cap Screw	M10x35
164-1	TS-2361101	Lock Washer / Federring / Rondelle	M10
165	TS-1540071	Hex Nut / Mutter / Ecrou	M10
166	TS-1505061	Socket Head Cap Screw / Schraube / Vis Cap Screw	M10x40
167	PM823167	Adjustable stop / Einstellblock / Support adjustable	
168	PM823043	Handle / Feststellgriff / Poignée	M8x25
169	PM823169	Stop Bar / Anschlag / Guide	
169-1	PM823169-1	Bushing / Büchse / Boîte	
169-2	TS-1523011	Socket Set Screw / Schraube / Vis	M6x6
170	PM823167	Adjustable stop / Einstellblock / Support adjustable	
170-1	TS-1524021	Socket Set Screw / Schraube / Vis	M8x10
171	PM823171	Hydraulic cylinder / Hydraulikzylinder / Cylinder hydraulique	
172	PM823172	Bushing / Büchse / Boîte	
173	TS-1506011	Socket Head Cap Screw / Schraube / Vis Cap Screw	M12x20
174A	PM823174A	Limit Switch / Schalterplatte / Plate interrupteur	
175	TS-2361081	Lock Washer / Federring / Rondelle	M8
176	TS-1540061	Hex Nut / Mutter / Ecrou	M8
177	TS-2361061	Lock Washer / Federring / Rondelle	M6
178	TS-1503031	Socket Head Cap Screw / Schraube / Vis	M6x12
179	PM823179	Limit Switch / Schalterplatte / Plate interrupteur	
180	TS-1502071	Socket Head Cap Screw / Schraube / Vis	M5x30
181	PM823181	Spring holder / Haltearm / Bra ressort	
182	TS-0570031	Hex Nut / Mutter / Ecrou	3/8"
183	TS-1492011	Hex Cap Screw / Schraube / Vis	M12x25
183-1	TS-2361121	Lock Washer / Federring / Rondelle	M12
184	PM823184	Cylinder guard / Zylinderabdeckung / Protection cylindre	
185	TS-1503041	Socket Head Cap Screw / Schraube / Vis	M6x16
185-1	TS-1502011	Socket Head Cap Screw / Schraube / Vis	M5x8
186	TS-1505051	Socket Head Cap Screw / Schraube / Vis	M10x35
186-1	TS-2361101	Lock Washer / Federring / Rondelle	M10
187	PM823187	Cylinder coupling / Halter / Support	
188	PM823188	Spring Hook / Federhaken / Porteressort	3/8"
189	PM823189	Spring / Feder / Ressort	
190	PM823190	Setting bushing / Büchse / Palier	
191	PM823191	Flat Washer / Scheibe / Rondelle	8x30x2.5mm
192	TS-1504071	Socket Head Cap Screw / Schraube / Vis	M8x35
193A	PM823193	Saw Arm / Sägearm / Bra de scie	
194	TS-1505041	Socket Head Cap Screw / Schraube / Vis	M10x30



## PART LIST / ERSATZTEILLISTE / LISTE DES PIÈCES DÉTACHÉES

## SX-823DGSVI

194-1	TS-2361101	Lock Washer / Federring / Rondelle	M10
195	PM823195	Limit Switch / Schalterplatte / Plate interrupteur	QKS8
195-1	PM823195-1	Switch Pin / Platte / Plate	
196	TS-1501081	Socket Head Cap Screw / Schraube / Vis	M4x30
197	TS-1505071	Socket Head Cap Screw / Schraube / Vis	M10x45
197-1	TS-2361101	Lock Washer / Federring / Rondelle	M10
198A	PM823198	T Connector / Anschluss / Raccord	
199	TS-1502041	Socket Head Cap Screw / Schraube / Vis	M5x16
200	PM823200	Coolant Switch / Kühlmittelhahn / Robinet	
201	PM823022	Hose Clamp / Briede / Collier	13mm
203	PM823203	Pipe Fitting / Anschluss / Raccord	1/4Px5/16
204	PM823204	Hose / Schlauch / Tube	5/16"x93 cm
205	PM823205	Hose / Schlauch / Tube	5/16"x40 cm
206	PM823206	Drive Flywheel / Bandrad / Roue	
207	PM823207	Wheel Washer / Scheibe / Rondelle	
207-1	TS-2361101	Lock Washer / Federring / Rondelle	M10
208	TS-1491031	Hex Cap Screw / Schraube / Vis	M10x25
209A	PM823209	Idle Flywheel Shaft / Achse / Axe	
210	BB-32006	Taper Roller Bearing / Kugellager / Roulement	
211	PM823211	Idle Flywheel / Bandrad / Roue bande	
212	PM823212	Star Washer / Sicherungsscheibe / Rondelle	M30
212-1	PM823212-1	Anti-dust Cover / Abdeckung / Couvercle	30mm
213	PM823213	Jam Nut / Mutter / Ecrou	M30xP1.5
214	PM823214	Oil Inlet / Ölnippel / Huiler	1/16"
215	PM823215	Blade / Sägebänder / Lame	27x2460x5/8T
216	PM823216	Bow Cover / Blattabdeckung / Couvercle	
217	PM823217	Plum Screw / Schraube / Vis	M6x10
219	TS-2284082	Machine Screw Pan HD / Schraube / Vis	HD M4x8
220	TS-1540021	Hex Nut / Mutter / Ecrou	M4
222	PM823222	Handle / Griff / Poignée	
223	PM823223	Handle Wheel / Griffhansch / Flasque poignée	
223-1	BB-51103	Thrust Bearing / Drucklager / Roulement	51103
223-2	PM823223-2	Blade Tension Gauge / Hydr. Bandspannung / Controlle pression	
224	PM823224	Special Spring Washer / Federscheibe / Rondelle ressort	
225	PM823225	Tension Shaft / Welle / Axe	M16x230
229	PM823229	Plate / Platte / Plateau	
230	TS-1503031	Socket Head Cap Screw / Schraube / Vis	M6x12
230-1	PM823018-1	Flat Washer / Scheibe / Rondelle	6x13x1
231	PM823231	Limit Switch / Endschalter / Inter micro	TZ-8111
232	TS-1501071	Socket Head Cap Screw / Schraube / Vis	M4x25
239	TS-154010	Hex Nut / Mutter / Ecrou	M16x2.0
240A	PM823240	Slide Bracket / Schlitten / Flasque de bande	
240A-1	TS-2361101	Lock Washer / Federring / Rondelle	M10
240A-2	TS-1505071	Socket Head Cap Screw / Schraube / Vis	M10x45
240A-3	TS-1525051	Set Screw / Schraube / Vis	M10x25
244	PM823244	Cover Plate / Abdeckung / Protection	
245	TS-1503011	Socket Head Cap Screw / Schraube / Vis	M6x8
246	PM823246	Gib / Führung / Guide	
247	TS-2361081	Lock Washer / Federring / Rondelle	M8
248	TS-1504041	Socket Head Cap Screw / Schraube / Vis	M8x20
249	PM823249	Blade Guide Movable Rod / Führung / Guide support	
249-1	TS-1503011	Socket Head Cap Screw / Schraube / Vis	M6x8
250	TS-1523041	Socket Set Screw / Schraube / Vis	M6x12
251	TS-1504041	Socket Head Cap Screw / Schraube / Vis	M8x20
252	PM823252	Setting Bracket / Klammer / Serrage	
253	TS-1506071	Socket Head Cap Screw / Schraube / Vis	M12x50
254	PM823254	Handle / Griff / Poignée	M6x60
256	PM823256	Bearing Guide (Front) / Halter / Porte guide	
	PM823256A	Bearing Guide Assembly (Front) Including 256 259 262 263 264 265 265-1 266 267 268 269 272-1 274	
257	PM823257	Pipe Fitting / Anschluss / Raccord	1/4Px5/16

## PART LIST / ERSATZTEILLISTE / LISTE DES PIÈCES DÉTACHÉES

## SX-823DGSVI

259	PM823259	Bolt / Schraube / Vis	
260	TS-1503011	Socket Head Cap Screw / Schraube / Vis	M6x8
261	PM823261	Blade Cover (Front) / Blattabdeckung / Couvercle	
262	TS-1523041	Socket Set Screw / Schraube / Vis	M6x12
263	TS-1540041	Hex Nut / Mutter / Ecrou	M6
264	PM823264	Centric Shaft / Exzenterwelle / Axe excentrique	
265	BB-608ZZ	Ball Bearing / Kugellager / Roulement	(BB-608ZZ)
265-1	BB-608ZZ	Ball Bearing / Kugellager / Roulement	(BB-608ZZ)
266	PM823266	E-Ring / Sicherungssing / Circlip	E-7
267	PM823267	Blade Guide / HM Bandführung / Guide lame MD flexible	
268	TS-1503061	Socket Head Cap Screw / Schraube / Vis	M6x25
269	PM823269	Eccentric Shaft / Exzenterwelle / Axe excentrique	
270	TS-1503011	Socket Head Cap Screw / Schraube / Vis	M6x8
271	PM823271	Blade Cover (Rear) / Blattabdeckung / Couvercle	
272	PM823272	Bearing Guide (Rear) / Halter / Porte guide	
	PM823272A	Bearing Guide Assembly (Rear) Including 259 262 263 264 265 265-1 266 267 268 269 272 272-1 274	
272-1	TS-1503011	Socket Head Cap Screw / Schraube / Vis	M6x8
273	PM823203	Pipe Fitting / Anschluss / Raccord	1/4Px5/16
274	PM823274	Blade Guide / HM Bandführung / Guide lame MD flexible	
275	PM823275	Ball Bearing Bracket / Halter / Support	
276	TS-1523041	Socket Set Screw / Schraube / Vis	M6x12
277	TS-1505021	Socket Head Cap Screw / Schraube / Vis	M10x20
279	TS-1504041	Socket Head Cap Screw / Schraube / Vis	M8x20
280	PM823280	Brush W/Nylon nut / Bürste / Brosse	50mm
281	PM823281	Brush Clamp / Halter / Support	
284	TS-1482021	Hex Cap Screw / Schraube / Vis	M6x12
285	PM823018-1	Flat Washer / Scheibe / Rondelle	6x13x1
326A	PM823326A	Flow control / Absenkenventil / Valve descente	
327A	PM823327A	Hose / Schlauch / Tube	2.5M
328A	PM823328A	Hose / Schlauch / Tube	2M
329A	PM823329A	Hose / Schlauch / Tube	2M
330A	PM823330A	Hose / Schlauch / Tube	2M
331A	PM823331A	Hose / Schlauch / Tube	1.5M
332A	PM823332A	Manifold / Steuerventil / Bloc valve	
333A	PM823333A	Motor / Pumpenmotor / Moteur hydraulique	0.37kW 400V 3Ph
334A	PM823334A	Pump / Pumpe / Pompe	
335A	PM823335A	Oil gauge / Druckmanometer / Manomètre pression hydraulique	
336A	PM823336A	Solenoid / Hydraulikventil / Valve hydraulique	2D2
337A	PM823337A	Solenoid / Hydraulikventil / Valve hydraulique	
338A	PM823338A	Pressure Regulator / Druckregulierer / Regulateur pression hydraulique	
339A	PM823339A	Oil fill port / Entluftungsschraube / Boulon	
340A	PM823340A	Tank Cover / Platte / Plaque	
341A	PM823341A	Tank / Behälter / Réservoir	
	PM823032A	Control Panel Assembly (including 32-1, 34-1)	
	PM823023-2	coolant outlet connector (not show)	

## PART LIST / ERSATZTEILLISTE / LISTE DES PIÈCES DÉTACHÉES

**SX-823DGSVI**

P01A	PM823344	Control Panel / Bedienplatte / Plate interrupteur	
P01-1	PM823342	Main board / Hauptplatine / Carte principale	
P01-2	PM823343	Display Board / Anzeigetafel / Panneau d'affichage	
P02	PM823345	Electric box cover / Abdeckung / Couvercle	
P03	PM823346	Electric Box Platform / Fussplatte / Support	
P04	PM823347	Electric Parts Plate / Platte / Support	
P04-1	PM823348	Transformer / Transomator / Transformateur (PT57 S/SH/DS)	200VA
P04-2	PM823349	Fuse / Sicherungskasten / Boîte fusible	
P04-3	PM823351	Power in fuses / Sicherungen Eingang / Fuse	
P04-1	PM823352	Grounding Plate / Erdungsklemme / Serrage terre	
P05	PM823353	Electric Parts Plate / Platte / Support (Rear)	
P05-1	PM823354	Dual terminal connector / Halter / Support	
P05-2	PM823355	Connector PC board / Anschlussstecker / Fiche de connection	
P08	PM823139-1	Blade speed indicator / Digitalan-zeige / Indicteur digital	
P09	PM823357	Indicator plate / Platte / Support	
P10	PM823139-2	Round Head Screw / Schraube / Vis	M3x20
P11	PM823359	Base (Bottom Plate) / Platte / Plaque	
P12	PM823360	Control Circuit Fuse / Sicherung des Steuerkreises / Fusible du circuit de commande	
P13	PM823361	Control Circuit Fuse / Sicherung des Steuerkreises / Fusible du circuit de commande	

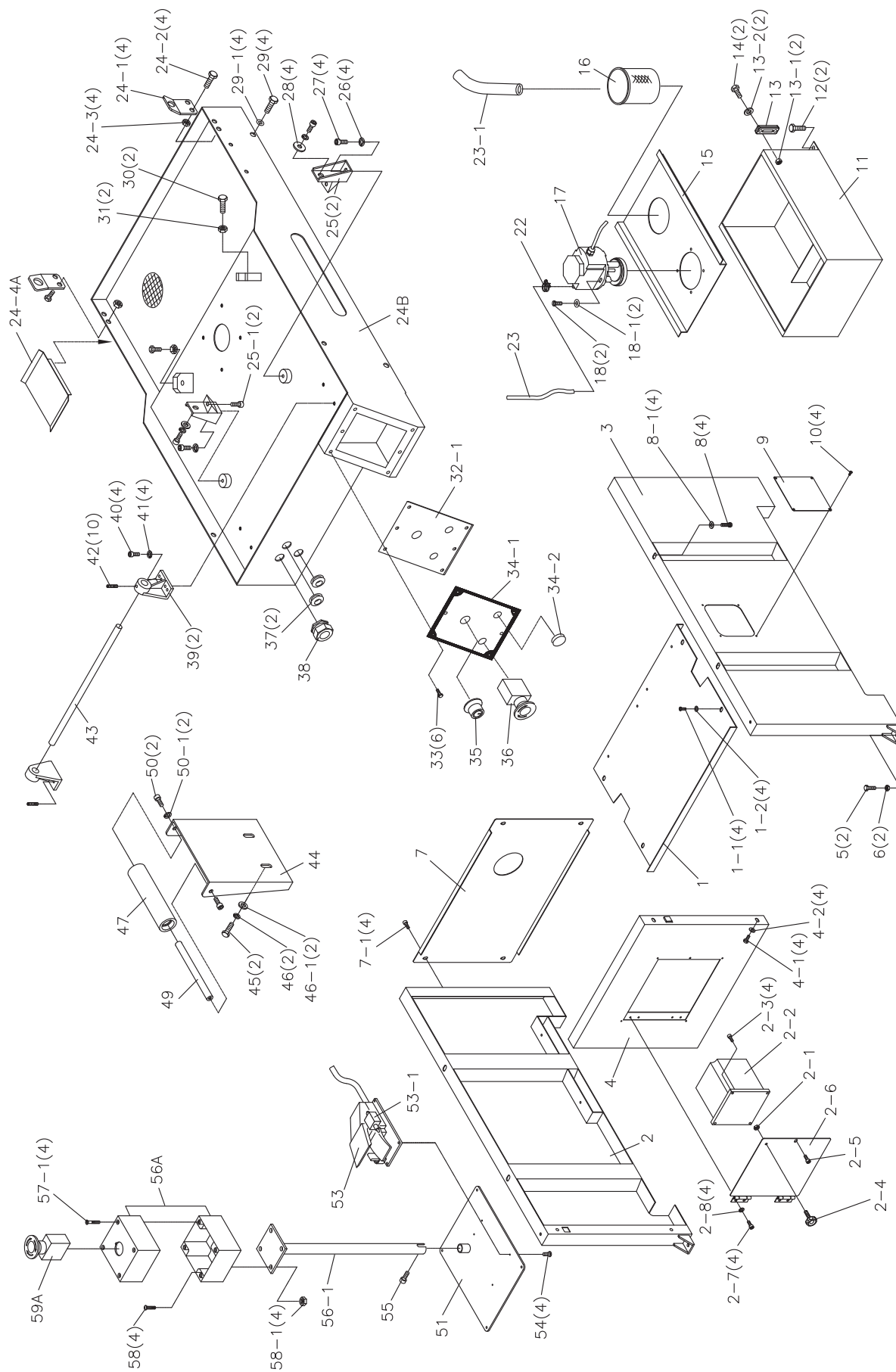
## Affichage des défauts

RM5G/5P Course erronée		
<p>EER</p> <p>EEPROM erreur</p>	<p>AD Err</p> <p>Erreur de convertisseur AD</p>	<p>OC</p> <p>Excès de courant</p>
<p>OE</p> <p>Sur-tension</p>	<p>LeI</p> <p>Sous-tension pendant le fonctionnement</p>	<p>GF</p> <p>Défaut de mise à la terre</p>
<p>OH</p> <p>surchauffer</p>	<p>OL</p> <p>Surcharge de moteur</p>	<p>OLI</p> <p>Surcharge d'onduleur</p>
<p>OLO</p> <p>Surcharge détectée</p>	<p>hr</p> <p>Relais de protection thermique externe</p>	<p>PAdF</p> <p>Erreur KP-202C</p>
<p>SC</p> <p>Coupure de fusible du convertisseur</p>		

Affichage d'avertissement RM5G/5P		
<p>Err 00</p> <p>Clavier interrompu</p>	<p>Err 01</p> <p>Clavier interrompu pendant le fonctionnement</p>	<p>LE</p> <p>Niveau de source d'alimentation principale insuffisant</p>
<p>OLO</p> <p>Surcharge détectée</p>	<p>bb</p> <p>Sortie inhibée</p>	<p>Fr</p> <p>Rodage à vide</p>
<p>dtf</p> <p>Erreur de direction terminale</p>	<p>db</p> <p>Sur-tension pendant l'arrêt</p>	<p>Wr_F</p> <p>Ecrire au défaut de l'onduleur</p>

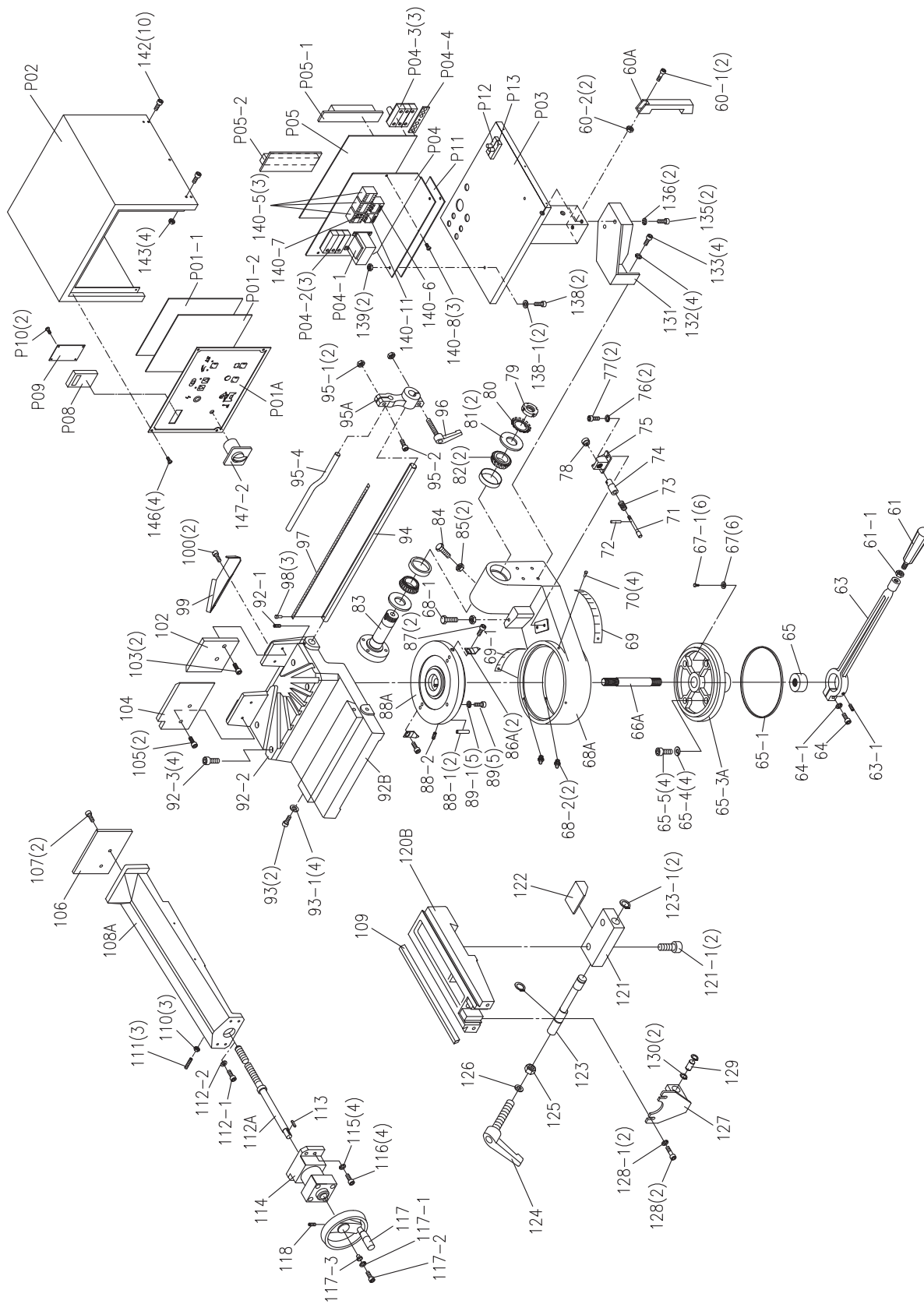
EXPLOSION DRAWING / ERSATZTEILZEICHNUNG / VUE ÉCLATÉE

**SX-827DGSVI**



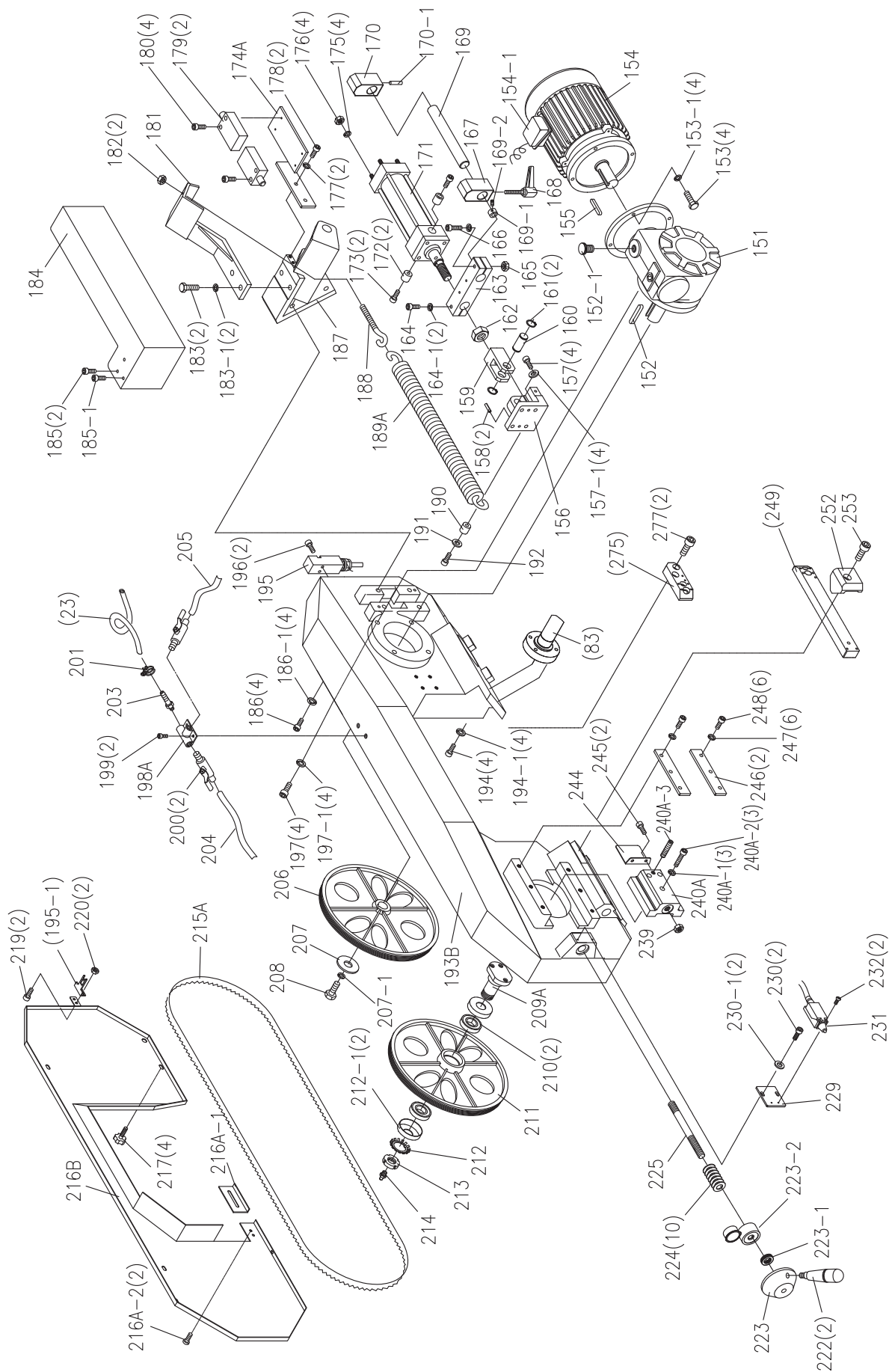
EXPLOSION DRAWING / ERSATZTEILZEICHNUNG / VUE ÉCLATÉE

**SX-827DGSVI**

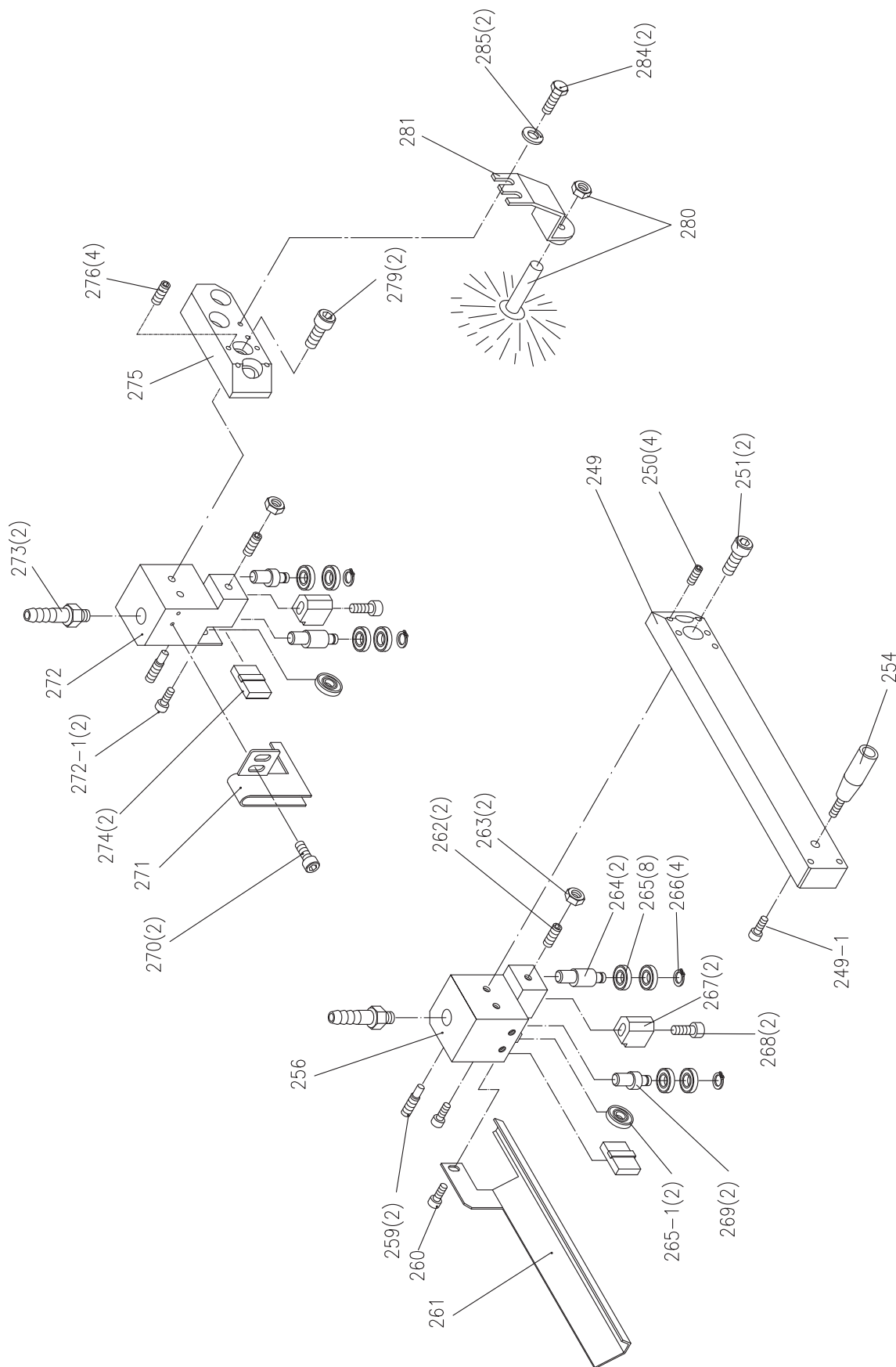


EXPLOSION DRAWING / ERSATZTEILZEICHNUNG / VUE ÉCLATÉE

**SX-827DGSVI**



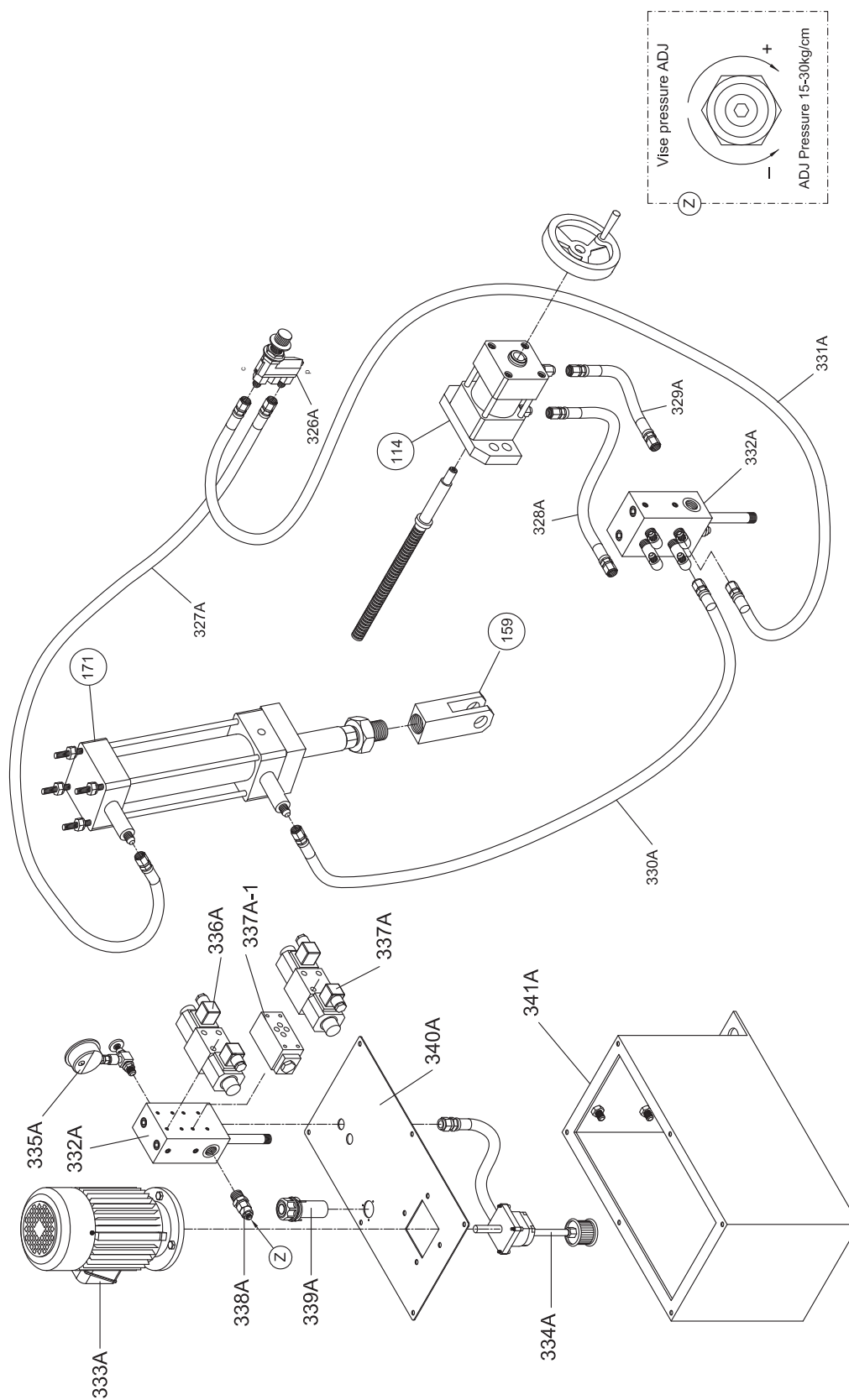
## EXPLOSION DRAWING / ERSATZTEILZEICHNUNG / VUE ÉCLATÉE

**SX-827DGSVI**



EXPLOSION DRAWING / ERSATZTEILZEICHNUNG / VUE ÉCLATÉE

**SX-827DGSVI**



## PART LIST / ERSATZTEILLISTE / LISTE DES PIÈCES DÉTACHÉES

## SX-827DGSVI

1	PM827001N	Base (Bottom Plate) / Platte / Plaque	
1-1	PM-823012	Hex. Cap Bolt / Schraube / Vis	M8x16
1-2	PM823004-2N	Washer / Scheibe / Rondelle	M8x23x2
2	PM827002N	Base (Left Part) / Platte / Plaque links	
2-1	TS-1540041	Hex Nut / Mutter / Ecrou	M6
2-2	PM827146-B	Inverter / Frequenzumformer / Boitier électronique	2HP 3PH 400V
2-3	TS-1502041	Socket Head Cap Screw / Schraube / Vis	M5x16
2-4	PM823217	Plum Screw / Schraube / Vis	M6x12
2-5	TS-1503011	Socket Head Cap Screw / Schraube / Vis	M6x8
2-6	PM823002-6	Plate / Abdeckung / Couvercle	
2-7	TS-1503011	Socket Head Cap Screw / Schraube / Vis	M6x8
2-8	TS-2361061	Lock Washer / Federring / Rondelle	M6
3	PM827003N	Base (Right Part) / Platte / Plaque rechts	
4	PM827004N	Base (Front Part) / Seitenwand L / Paroi G	
4-1	TS-1490021	Hex Cap Screw / Schraube / Vis	M8x16
4-2	PM823004-2N	Washer / Scheibe / Rondelle	M8x23x2
5	PM823005N	Hex Cap Screw / Schraube / Vis	M12x40
6	TS-1540081	Hex Nut / Mutter / Ecrou	M12
7	PM827019N	Base (Rear Part) / Seitenwand R / Paroi D	
7-1	TS-1503011	Socket Head Cap Screw / Schraube / Vis	M6x8
8	TS-1491021	Hex Cap Screw / Schraube / Vis	M10x20
8-1	PM823003-1N	Flat Washer / Scheibe / Rondelle	25x10x2
9	PM823009N	Plate / Abdeckung / Couvercle	
10	TS-1502011	Socket Head Cap Screw / Schraube / Vis Cap Screw	M5x8
011	PM823011	Coolant Tank / Behälter / Réservoir	
	PM823011A	Coolant Tank Assembly Including 11-16	
012	TS-1490021	Hex Cap Screw / Schraube / Vis	M8x16
013	PM823013	Coolant Gauge 3" / Anzeige / Verre niveau	
013-1	TS-1540071	Hex Nut / Mutter / Ecrou	M10
013-2	PM823013-2	Flat Washer / Scheibe / Rondelle	10x10x3
14	TS-2210161	Hex Cap Screw / Schraube / Vis	M10x16
015	PM823015	Tank Cover / Platte / Plaque	
016	PM823016	Filter / Filter / Filtre	
017	PM823017	Pump / Pumpe / Pompe	50W 400V
018	TS-1503061	Socket Head Cap Screw / Schraube / Vis	M6x25
018-1	PM823018-1	Flat Washer / Scheibe / Rondelle	6x13x1
022	PM823022	Hose Clamp / Briede / Collier	13mm
023	PM827023	Hose / Schlauch / Tube	5/16"x254cm
023-1	PM827023-1	Hose / Schlauch / Tube	1"x43cm
024-1	PM827024-1	Plate / Abdeckung / Couvercle	
024-2	TS-1491021	Hex Cap Screw / Schraube / Vis	M10x20
024-3	TS-1540071	Hex Nut / Mutter / Ecrou	M10
024-4A	PM823024-1	Coolant Plate / Platte / Plaque	
024B	PM-827024SB	Coolant And Chip Tray / Spänewanne / Puces baignoire	
025	PM823025	Mounting Bracket / Flansch / Support	
025-1	TS-1504031	Socket Head Cap Screw / Schraube / Vis	M8x16
026	TS-2361101	Lock Washer / Federring / Rondelle	M10
027	TS-1505021	Socket Head Cap Screw / Schraube / Vis	M10x20
028	PM823003-1N	Flat Washer / Scheibe / Rondelle	25x10x2
029	TS-1491021	Hex Cap Screw / Schraube / Vis	M10x20
029-1	TS-2361101	Lock Washer / Federring / Rondelle	M10
030	TS-1492041	Hex Cap Screw / Schraube / Vis	M12x40
031	TS-1540081	Hex Nut / Mutter / Ecrou	M12
032-1	PM823032-1	Control Box Cover / Gehäuse / Carcasse	
033	TS-1533032	Machine Screw Pan HD / Schraube / Vis	M5x10
034-1	PM823034-1	Control Box Panel / Fronttafel / Panneau	
034-2	PM823034-2	Flow regulator / Absenkventil / Valve hydraulique de decente	
035	PM823035	Blade Speed Knob / Drehzahlregler / Inter vitesse	
036	PM823036A	Emergency Stop Switch / Not-/Ausschalter / Inter Poing	
037	PM823037	Lock Washer / Federring / Rondelle	
038	PM823038	Lock Washer / Federring / Rondelle	1/2"
039	PM827039N	Shaft Seat / Wellensitz / Siège d'arbre	

## PART LIST / ERSATZTEILLISTE / LISTE DES PIÈCES DÉTACHÉES

## SX-827DGSVI

040	TS-1504051E	Hex. Socket Cap Screw / Schraube / Vis	M8x25
040-1	TS-1540061	Hex Nut / Mutter / Ecrou	M8
040-2	TS-2361081	Lock Washer / Federring / Rondelle	M8
041	PM827041N	Spring Washer / Federscheibe / Rondelle ressort	M8
042	TS-1523041E	Set Screw / Schraube / Vis	M6x12
043	PM827043N	Shaft / Achswelle / Arbre	SCF16x460
044	PM823044	Roller Stand / Halter / Support	
045	TS-1492011	Hex Cap Screw / Schraube / Vis	M12x25
046	TS-2361121	Lock Washer / Federring / Rondelle	M12
046-1	PM823046-1	Flat Washer / Scheibe / Rondelle	12x28x3
047	PM823047	Roller / Rolle / Rouleau	50.8x268mm
049	PM823049	Roller Shaft / Welle / Axe	1/2"x269mm
050	TS-1504041	Socket Head Cap Screw / Schraube / Vis Cap Screw	M8x20
050-1	TS-2361081	Lock Washer / Federring / Rondelle	M8
051	PM823051	Pedal plate / Platte / Support	
053	PM823053	Pedal / Fusspedal / Pedal	
053-1	PM823053-1	Micro switch / Mikroschalter / Inter micro	
054	TS-1532032	Machine Screw Pan HD / Schraube / Vis	M4x10
055	TS-1503011	Socket Head Cap Screw / Schraube / Vis Cap Screw	M6x8
056-1	PM823056-1	Pipe / Hebel / Levier	
056A	PM823056A	Emergency switch box / Schalterkasten / Boîte interrupteur	
057-1	PM823057-1	Flat head cross screw / Schraube / Vis	M4x45
058	TS-1502011	Socket Head Cap Screw / Schraube / Vis	M5x8
058-1	TS-1540031	Hex Nut / Mutter / Ecrou	
059A	PM823036A	Emergency Stop Switch / Not-/Ausschalter / Inter Poing	
060-1	TS-1504041	Socket Head Cap Screw / Schraube / Vis	M8x20
060-2	TS-1540061	Hex Nut / Mutter / Ecrou	M8
060A	PM823060	Handle / Griff / Poignée	
061	PM823061	Handle / Griff / Poignée	M12x25
061-1	TS-1540081	Hex Nut / Mutter / Ecrou	M12
063	PM823063	Locking Lever / Locking Lever / Spannhebel Levier	
063-1	TS-1525031	Socket Set Screw / Schraube / Vis	M10x16
064	TS-1505051	Socket Head Cap Screw / Schraube / Vis	M10x35
064-1	TS-2361101	Lock Washer / Federring / Rondelle	M10
065	PM823065	Shaft Nut / Mutter / Ecrou	
065-1	PM823065-1	Oil Seal / O-Ring / O-ring	4mmx720mm
065-3A	PM827065-3A	Disk / Drehflansch / Support	
065-4	TS-2361081	Lock Washer / Federring / Rondelle	M8
065-5	TS-1504071	Socket Head Cap Screw / Schraube / Vis	M8x35
066A	PM823066A	Shaft / Achswelle / Arbre	
067	PM827067	DU Plate	
067-1	PM827067-1	Flat Head Socket Screw / Schraube / Vis	M4x8
068A	PM827068A	Swivel Arm / Drehteil / Support bras	
068-1	TS-149105	Hex Cap Screw / Schraube / Vis	M10x35
068-2	PM823214	Oil Inlet / Ölnippel / Huiler	1/16"
069	PM827069	Scale / Skala / Scale	+45°~ -60°
069-1	PM827069-1	Scale / Skala / Scale	45°
070	PM823070	Rivet / Niete / Rivet	2.3x4
071	PM823071	Pin / Stift / Goupille	
072	PM823072	Hollow Pin / Stift / Goupille	2.5x16
073	PM823073	Spring / Feder / Ressort	0.8x9x30mm
074	PM823074	Bushing / Büchse / Boîte	
075	PM823075	Bracket / Halter / Support	
076	TS-2361081	Lock Washer / Federring / Rondelle	M8
077	TS-1504051	Socket Head Cap Screw / Schraube / Vis	M8x25
078	PM823078	Knob / Griff / Bouton	
079	PM827079	Jam Nut / Mutter / Ecrou	M40
080	PM827080	Star Washer / Sicherungsscheibe / Rondelle	M40
081	PM827081	Anti-Dust Cover / Abdeckung / Couverture	
082	BB-32008	Tapered Roller Bearing / Rollenlager / Roulement	
083	PM827083A	Shaft / Welle / Axe	
084	TS-2210451	Hex Cap Screw / Schraube / Vis	M10x45

## PART LIST / ERSATZTEILLISTE / LISTE DES PIÈCES DÉTACHÉES

## SX-827DGSVI

085	TS-1540071	Hex Nut / Mutter / Ecrou	M10
086A	PM823086A	Pointer / Pfeil / Flèche	
087	TS-1502011	Socket Head Cap Screw / Schraube / Vis	M5x8
088-1	PM823158	Hollow Pin / Stift / Goupille	6x20
088-2	TS-1524021	Socket Set Screw / Schraube / Vis	M8x10
088A	PM827088A	Cover / Flansch / Flasque	
089	TS-1504071	Socket Head Cap Screw / Schraube / Vis	M8x35
089-1	TS-2361081	Lock Washer / Federring / Rondelle	M8
092-1	TS-1523041	Socket Set Screw / Schraube / Vis	M6x12
092-2	PM827092-2	Changeable Plate / Tischeinsatzplatte / Plate insert table	
092-3	TS-1504031	Socket Head Cap Screw / Schraube / Vis	M8x16
092B	PM827092B	Table / Tischeinsatzplatte / Plate insert table	
093	TS-1505021E	Hex. Socket Cap Screw / Schraube / Vis	M10x20
093-1	PM827093-1	Washer / Scheibe / Rondelle	10x25x2
094	PM823094	Stop-Rod / Anschlagstange / Guide barre	20x600mm
095-1	TS-1540061	Hex Nut / Mutter / Ecrou	M8
095-2	TS-1504051	Socket Head Cap Screw / Schraube / Vis	M8x25
095-4	PM823095-4	Stop Bar / Anschlag / Guide	
095A	PM823095A	Guide / Führung / Guide	
096	PM823043	Handle / Feststellgriff / Poignée	M8x25
097	PM823097	Scale / Messband / Scale	0-50 cm
098	PM823098	Rivet / Niete / Rivet	2.3x4
099	PM827099	Chip Gutter / Chip Gutter / Gouttière	
100	TS-1503011	Socket Head Cap Screw / Schraube / Vis	M6x8
102	PM827102	Vise Jaw - Right / Spannstockbacke / Mâchoire étau (2203V00656 and lower)	
	PM827102N	Vise Jaw - Right / Spannstockbacke / Mâchoire étau (23xxV00657 and higher)	
103	TS-1503041	Socket Head Cap Screw / Schraube / Vis	M6x16
104	PM827104	Vise Jaw - Left / Spannbacke / Mâchoire étau (2203V00656 and lower)	
	PM827104N	Vise Jaw - Left / Spannbacke / Mâchoire étau (23xxV00657 and higher)	
	PM827104-VJA	Vise Jaw Assembly (including 102,104) (23xxV00657 and higher)	
105	TS-1503041	Socket Head Cap Screw / Schraube / Vis	M6x16
106	PM827106	Vise Jaw - Front / Spannbacke / Mâchoireétau	
107	TS-1514021	Socket Head Flat Screw / Schraube / Vis	M6x16
108A	PM827108A	Movable Vise / Spannstock / Etau	
109	PM823109	Dovetail Plate / Einstellleiste / Guide	
110	TS-1540031	Hex Nut / Mutter / Ecrou	M5
111	PM823111	Set Screw / Schraube / Vis	M5x25
112-1	TS-1504031	Socket Head Cap Screw / Schraube / Vis	M8x16
112-2	TS-2361081	Lock Washer / Federring / Rondelle	M8
112A	PM827112A	Vise Screw for Hydraulic Drive / Schraube / Vis	
113	PM823113	Key / Keil / Clavette	5x5x15
114	PM823114	Hydraulic Cylinder Post / Halter / Porteur	
115	TS-2361081	Lock Washer / Federring / Rondelle	M8
116	TS-1504051	Socket Head Cap Screw / Schraube / Vis	M8x25
117	PM823117	Hand Wheel / Handrad / Manivelle	6-1/2"
117-1	TS-2361061	Lock Washer / Federring / Rondelle	M6
117-2	TS-1503061	Socket Head Cap Screw / Schraube / Vis	M6x25
117-3	PM823117-3	Bushing / Büchse / Douille	
118	TS-1524021	Socket Set Screw / Schraube / Vis	M8x10
120B	PM827120B	Vise Seat / Spannstock Grundstock / Etau fixe	
121	PM827121	Position Seat / Sitz positionieren / Position Siège	
121-1	TS-1505021E	Hex. Socket Cap Screw / Schraube / Vis	M10x20
122	PM827122N	Block / Block / Bloquer	
123	PM827123N	Eccentric Shaft / Exzenterwelle / Axe excentrique	
123-1	PM827123N-1	Ring / Ring / Bague	S-18
124	PM827124N	Handle / Feststellgriff / Poignée	TRT80 M10x25
125	PM827125N	Nut / Mutter / Ecrou	M10

## PART LIST / ERSATZTEILLISTE / LISTE DES PIÈCES DÉTACHÉES

## SX-827DGSVI

126	PM827126N	Spring Washer / Federscheibe / Rondelle ressort	M10
127	PM827127N	Linear Bearing Bracket / Linearlagerhalterung / Support de roulement linéaire	
128	TS-1504051E	Hex. Socket Cap Screw / Schraube / Vis	M8x25
128-1	PM827128N-1	Spring Washer / Federscheibe / Rondelle ressort	M8
129	PM827129N	Bearing / Lager / Palier	S-28
130	PM827130N	Ring / Sicherungssing / Circlip	M8
130-1	TS-2361081	Lock Washer / Federring / Rondelle	
131	PM823131	Electric Box Holder / Halter / Support	
132	TS-2361081	Lock Washer / Federring / Rondelle	M8
133	TS-1504041	Socket Head Cap Screw / Schraube / Vis	M8x20
135	TS-1505031	Socket Head Cap Screw / Schraube / Vis	M10x25
136	TS-2361101	Lock Washer / Federring / Rondelle	M10
138	TS-1503061	Socket Head Cap Screw / Schraube / Vis	M6x25
138-1	TS-2361061	Lock Washer / Federring / Rondelle	M6
139	TS-1540041	Hex Nut / Mutter / Ecrou	M6
140-11	PM823140-11	Overload Relay / Ueberlastrelais / Relais de protection	
140-5	PM823140-5	Magnetic Switch / Kontaktschütze / Contacteur	C-09D
140-6	PM823144-4	Overload Relay / Ueberlastrelais / Relais de protection	
140-7	PM823140-7	Sub-connector / Kontaktklemme / Serrer câble	
140-8	TS-1482031	Hex Cap Screw / Schraube / Vis	M6x16
142	TS-1502011	Socket Head Cap Screw / Schraube / Vis Cap Screw	M5x8
143	TS-1540031	Hex Nut / Mutter / Ecrou	M5
146	TS-1533032	Machine Screw Pan HD / Schraube / Vis	M5x10
147-2	PM823147-2	Main Power Switch / Schalter / Interrupteur	ZH-HD-2
151	PM823151A	Gear Box / Getriebe / Boîte engrenage	(70/#1/25)
152	PM823152	Key / Keil / Clavette	8x7x30mm
152-1	PM823151-1A	Vent Screw / Oelschraube / Vis huile	PT-1/4"
153	TS-1490041	Hex Cap Screw / Schraube / Vis	M8x25
153-1	TS-2361081	Lock Washer / Federring / Rondelle	M8
154	PM827154	Motor / Motor / Moteur	1.5kW 400V 50HZ 4P
154-1	PM827154-1	Junction Box / Anschlussdose / Anschlussdose	
155	PM823155	Key / Keil / Clavette	8x7x40
156	PM823156	Anchoring dowel / Halter / Support	
157	TS-1504051	Socket Head Cap Screw / Schraube / Vis Cap Screw	M8x25
157-1	TS-2361081	Lock Washer / Federring / Rondelle	M8
158	PM823158	Hollow pin / Spannstift / Goupille	6x20
159	PM823159	Coupling fork / Gabel / Fourchette	
160	PM823160	Pin / Stift / Goupille	
161	PM823161	C-Ring / Sicherungsring / Circlip	S-20
162	TS-2310201	Hex Nut / Mutter / Ecrou	M20
163	PM823163	Rod supporting block / Klemm-faansch / support	
164	TS-1505051	Socket Head Cap Screw / Schraube / Vis Cap Screw	M10x35
164-1	TS-2361101	Lock Washer / Federring / Rondelle	M10
165	TS-1540071	Hex Nut / Mutter / Ecrou	M10
166	TS-1505061	Socket Head Cap Screw / Schraube / Vis Cap Screw	M10x40
167	PM823167	Adjustable stop / Einstellblock / Support adjustable	
168	PM823043	Handle / Feststellgriff / Poignée	M8x25
169	PM823169	Stop Bar / Anschlag / Guide	
169-1	PM823169-1	Bushing / Büchse / Boîte	
169-2	TS-1523011	Socket Set Screw / Schraube / Vis	M6x6
170	PM823167	Adjustable stop / Einstellblock / Support adjustable	
170-1	TS-1524021	Socket Set Screw / Schraube / Vis	M8x10
171	PM823171	Hydraulic cylinder / Hydraulikzylinder / Cylinder hydraulique	
172	PM823172	Bushing / Büchse / Boîte	
173	TS-1506011	Socket Head Cap Screw / Schraube / Vis Cap Screw	M12x20
174A	PM823174A	Limit Switch / Schalterplatte / Plate interrupteur	
175	TS-2361081	Lock Washer / Federring / Rondelle	M8
176	TS-1540061	Hex Nut / Mutter / Ecrou	M8
177	TS-2361061	Lock Washer / Federring / Rondelle	M6
178	TS-1503031	Socket Head Cap Screw / Schraube / Vis	M6x12
179	PM823179	Limit Switch / Schalterplatte / Plate interrupteur	

## PART LIST / ERSATZTEILLISTE / LISTE DES PIÈCES DÉTACHÉES

## SX-827DGSVI

180	TS-1503061E	Socket Head Cap Screw / Schraube / Vis	M6x25
181	PM823181	Spring holder / Haltearm / Bra ressort	
182	TS-1540061	Hex Nut / Mutter / Ecrou	M8
183	TS-1492011	Hex Cap Screw / Schraube / Vis	M12x25
183-1	TS-2361121	Lock Washer / Federring / Rondelle	M12
184	PM827184	Cylinder guard / Zylinderabdeckung / Protection cylindre	
185	TS-1503041	Socket Head Cap Screw / Schraube / Vis	M6x16
185-1	TS-1502011	Socket Head Cap Screw / Schraube / Vis	M5x8
186	TS-1505051	Socket Head Cap Screw / Schraube / Vis	M10x35
186-1	TS-2361101	Lock Washer / Federring / Rondelle	M10
187	PM823187	Cylinder coupling / Halter / Support	
188	PM823188	Spring Hook / Federhaken / Porteressort	
189A	PM823189	Spring / Feder / Ressort	
190	PM823190	Setting bushing / Büchse / Palier	
191	TS-2361081	Lock Washer / Federring / Rondelle	M8
192	TS-1504071	Socket Head Cap Screw / Schraube / Vis	M8x35
193B	PM827193	Saw Arm / Sägearm / Bra de scie	
194	TS-1505051	Socket Head Cap Screw / Schraube / Vis	M10x35
194-1	TS-2361101	Lock Washer / Federring / Rondelle	M10
195	PM823195	Limit Switch / Schalterplatte / Plate interrupteur	QKS8
195-1	PM823195-1	Switch Pin / Platte / Plate	
196	TS-1501081	Socket Head Cap Screw / Schraube / Vis	M4x30
197	TS-1505051	Socket Head Cap Screw / Schraube / Vis	M10x35
197-1	TS-2361101	Lock Washer / Federring / Rondelle	M10
198A	PM823198	T Connector / Anschluss / Raccord	
199	TS-1502041	Socket Head Cap Screw / Schraube / Vis	M5x16
200	PM823200	Coolant Switch / Kühlmittelhahn / Robinet	
201	PM823022	Hose Clamp / Briede / Collier	13mm
203	PM823203	Pipe Fitting / Anschluss / Raccord	1/4Px5/16
204	PM827204	Hose / Schlauch / Tube	5/16"x120 cm
205	PM827205	Hose / Schlauch / Tube	5/16"x50 cm
206	PM827206	Drive Flywheel / Bandrad / Roue	
207	PM823207	Wheel Washer / Scheibe / Rondelle	
207-1	TS-2361101	Lock Washer / Federring / Rondelle	M10
208	TS-1491031	Hex Cap Screw / Schraube / Vis	M10x25
209A	PM827209A	Idle Flywheel Shaft / Achse / Axe	
210	BB-32007	Taper Roller Bearing / Kugellager / Roulement	32007
211	PM827211	Idle Flywheel / Bandrad / Roue bande	
212	PM823080	Star Washer / Sicherungsscheibe / Rondelle	M35
212-1	PM823081	Anti-dust Cover / Abdeckung / Couvercle	35mm
213	PM823079	Jam Nut / Mutter / Ecrou	M35
214	PM823214	Oil Inlet / Ölnippel / Huiler	1/16"
215A	PM827215	Saw blade / Sägebänd / Lame	27x3160x4/6T
216A-1	PM827216A-1	Coolant Tray/ Kühlmittelbehälter / Plateau de réfrigérant	
216A-2	PM827216A-2	Pan Head Philip Screw / Linsenkopf Philip Schraube / Plateau de réfrigérant	M6x8
261B	PM827216	Blade Cover / Blattabdeckung / Couvercle	
217	PM823217	Plum Screw / Schraube / Vis	M6x12
219	TS-2284082	Machine Screw Pan HD / Schraube / Vis	M4x8
220	TS-1540021	Hex Nut / Mutter / Ecrou	M4
222	PM823222	Handle / Griff / Poignée	
223	PM823223	Handle Wheel / Griffhansch / Flasque poignée	
223-1	BB-51103	Thrust Bearing / Drucklager / Roulement	51103
223-2	PM823223-2	Blade Tension Gauge / Hydr. Bandspannung / Controle pression	
224	PM823224	Special Spring Washer / Federscheibe / Rondelle ressort	
225	PM827225	Tension Shaft / Welle / Axe	M16x270
229	PM823229	Plate / Platte / Plateau	
230	TS-1503031	Socket Head Cap Screw / Schraube / Vis	M6x12
230-1	PM823018-1	Flat Washer / Scheibe / Rondelle	6x13x1
231	PM823231	Limit Switch / Endschalter / Inter micro	TZ-8111
232	TS-1501071	Socket Head Cap Screw / Schraube / Vis	M4x25
239	TS-154010	Hex Nut / Mutter / Ecrou	M16x2.0

## PART LIST / ERSATZTEILLISTE / LISTE DES PIÈCES DÉTACHÉES

## SX-827DGSVI

240A	PM823240	Slide Bracket / Schlitten / Flasque de bande	
240A-1	TS-2361101	Lock Washer / Federring / Rondelle	M10
240A-2	TS-1505071	Socket Head Cap Screw / Schraube / Vis	M10x45
240A-3	TS-1525051	Set Screw / Schraube / Vis	M10x25
244	PM827244	Cover Plate / Abdeckung / Protection	
245	TS-1503011	Socket Head Cap Screw / Schraube / Vis	M6x8
246	PM823246	Gib / Führung / Guide	
247	TS-2361081	Lock Washer / Federring / Rondelle	M8
248	TS-1504041	Socket Head Cap Screw / Schraube / Vis	M8x20
249	PM827249	Blade Guide Movable Rod / Führung / Guide support	19x38x400
249-1	TS-1503011	Socket Head Cap Screw / Schraube / Vis	M6x8
250	TS-1523041	Socket Set Screw / Schraube / Vis	M6x12
251	TS-1504041	Socket Head Cap Screw / Schraube / Vis	M8x20
252	PM823252	Setting Bracket / Klammer / Serrage	
253	TS-1506071	Socket Head Cap Screw / Schraube / Vis	M12x50
254	PM823254	Handle / Griff / Poignée	M6x60
256	PM823256	Bearing Guide (Front) / Halter / Porte guide	
	PM823256A	Bearing Guide Assembly (Front) Including 256 259 262 263 264 265 265-1 266 267 268 269 272-1 274	
259	PM823259	Bolt / Schraube / Vis	
260	TS-1503011	Socket Head Cap Screw / Schraube / Vis	M6x8
261	PM823261	Blade Cover (Front) / Blattabdeckung / Couvercle	
262	TS-1523041	Socket Set Screw / Schraube / Vis	M6x12
263	TS-1540041	Hex Nut / Mutter / Ecrou	M6
264	PM823264	Centric Shaft / Exzenterwelle / Axe excentrique	
265	BB-608ZZ	Ball Bearing / Kugellager / Roulement	(BB-608ZZ)
265-1	BB-608ZZ	Ball Bearing / Kugellager / Roulement	(BB-608ZZ)
266	PM823266	E-Ring / Sicherungssing / Circlip	E-7
267	PM823267	Blade Guide / HM Bandführung / Guide lame MD flexible	
268	TS-1503061	Socket Head Cap Screw / Schraube / Vis	M6x25
269	PM823269	Eccentric Shaft / Exzenterwelle / Axe excentrique	
270	TS-1503011	Socket Head Cap Screw / Schraube / Vis	M6x8
271	PM823271	Blade Cover (Rear) / Blattabdeckung / Couvercle	
272	PM823272	Bearing Guide (Rear) / Halter / Porte guide	
	PM823272A	Bearing Guide Assembly (Rear) Including 259 262 263 264 265 265-1 266 267 268 269 272 272-1 274	
272-1	TS-1503011	Socket Head Cap Screw / Schraube / Vis	M6x8
273	PM823203	Pipe Fitting / Anschluss / Raccord	1/4Px5/16
274	PM823274	Blade Guide / HM Bandführung / Guide lame MD flexible	
275	PM823275	Ball Bearing Bracket / Halter / Support	
276	TS-1523041	Socket Set Screw / Schraube / Vis	M6x12
277	TS-1505021	Socket Head Cap Screw / Schraube / Vis	M10x20
279	TS-1504041	Socket Head Cap Screw / Schraube / Vis	M8x20
280	PM823280	Brush W/Nylon nut / Bürste / Brosse	50mm
281	PM823281	Brush Clamp / Halter / Support	
284	TS-1482021	Hex Cap Screw / Schraube / Vis	M6x12
285	PM823018-1	Flat Washer / Scheibe / Rondelle	6x13x1
326A	PM823326A	Flow control / Absenkventil / Valve descente	
327A	PM823327A	Hose / Schlauch / Tube	2.5M
328A	PM823328A	Hose / Schlauch / Tube	2M
329A	PM823329A	Hose / Schlauch / Tube	2M
330A	PM823330A	Hose / Schlauch / Tube	2M
331A	PM823331A	Hose / Schlauch / Tube	1.5M
332A	PM823332A	Manifold / Steuerventil / Bloc valve	
333A	PM823333A	Motor / Pumpenmotor / Moteur hydraulique	0.37kW 400V 3Ph
334A	PM823334A	Pump / Pumpe / Pompe	
335A	PM823335A	Oil gauge / Druckmanometer / Manomètre pression hydraulique	
336A	PM823336A	Solenoid / Hydraulikventil / Valve hydraulique	2D2
337A	PM827337A	Solenoid / Hydraulikventil / Valve hydraulique	3C4
337A-1	PM827337A-1	Pilot check / Ventilblock / Bloc valve	
338A	PM823338A	Pressure Regulator / Druckregulierer / Regulateur pression hydraulique	

## PART LIST / ERSATZTEILLISTE / LISTE DES PIÈCES DÉTACHÉES

**SX-827DGSVI**

339A	PM823339A	Oil fill port / Entlüftungsschraube / Boulon	
340A	PM823340A	Tank Cover / Platte / Plaque	
341A	PM823341A	Tank / Behälter / Réservoir	
	PM823032A	Control Panel Assembly (including 32-1, 34-1)	
	PM823023-2	Coolant outlet connector (not show)	
	PM827120-TVSA	Table and Vise Seat Assembly (including 92B~93-1,109,120B~126) (serial no. 2010V01988 and higher)	
P01-1	PM823342	Main board / Hauptplatine / Carte principale	
P01-2	PM823343	Display Board / Anzeigetafel / Panneau d'affichage	
P01A	PM823344	Control Panel / Bedienplatte / Plate interrupteur	
P02	PM823345	Electric box cover / Abdeckung / Couvercle	
P03	PM823346	Electric Box Platform / Fussplatte / Support	
P04	PM823347	Electric Parts Plate / Platte / Support	
P04-1	PM823348	Transformer / Transormator / Transformateur	200VA
P04-2	PM823349	Fuse / Sicherungskasten / Boîte fusible	
P04-3	PM827351	Power in fuses / Sicherungen Eingang / Fuse	
P04-4	PM823352	Grounding Plate / Erdungsklemme / Serrage terre	
P05	PM823353	Electric Parts Plate / Platte / Support (Rear)	
P05-1	PM823354	Dual terminal connector / Halter /Support	
P05-2	PM823355	Connector PC board / Anschlussstecker/ Fiche de connection	
P08	PM823139-1	Blade speed indicator / Digitalan-zeige / Indicateur digital	
P09	PM823357	Indicator plate / Platte / Support	
P10	PM823139-2	Round Head Screw / Schraube / Vis	M3x20
P11	PM823359	Bottom Plate / Platte / Plaque	
P12	PM823360	Control Circuit Fuse/ Sicherung des Steuerkreises / Fusible du circuit de commande	
P13	PM823361	Control Circuit Fuse/ Sicherung des Steuerkreises / Fusible du circuit de commande	





## ENVIRONMENTAL PROTECTION

Protect the environment.

Your appliance contains valuable materials which can be recovered or recycled. Please leave it at a specialized institution.



This symbol indicates separate collection for electrical and electronic equipment required under the WEEE Directive (Directive 2012/19/EC) and is effective only within the European Union.

---

### UMWELTSCHUTZ

Schützen Sie die Umwelt!

Ihr Gerät enthält mehrere unterschiedliche, wiederverwertbare Werkstoffe.

Bitte entsorgen Sie es nur an einer spezialisierten Entsorgungsstelle.



Dieses Symbol verweist auf die getrennte Sammlung von Elektro- und Elektronikgeräten, gemäß Forderung der WEEE-Richtlinie (2012/19/EU). Diese Richtlinie ist nur innerhalb der Europäischen Union wirksam.

---

### PROTECTION DE L'ENVIRONNEMENT

Protégez l'environnement !

Votre appareil comprend plusieurs matières premières différentes et recyclables. Pour éliminer l'appareil usagé, veuillez l'apporter dans un centre spécialisé de recyclage des appareils électriques.



Ce symbole indique une collecte séparée des équipements électriques et électroniques conformément à la directive DEEE (2012/19/UE). Cette directive n'est efficace que dans l'Union européenne.



## WARRANTY / GARANTIE

TOOL FRANCE guarantees that the supplied product(s) is/are free from material defects and manufacturing faults.

This warranty does not cover any defects which are caused, either directly or indirectly, by incorrect use, carelessness, damage due to accidents, repairs or inadequate maintenance or cleaning as well as normal wear and tear.

Further details on warranty (e.g. warranty period) can be found in the General Terms and Conditions (GTC) that are an integral part of the contract.

These GTC may be viewed on the website of your dealer or sent to you upon request.

TOOL FRANCE reserves the right to make changes to the product and accessories at any time.

---

TOOL FRANCE garantiert, dass das/die von ihr gelieferte/n Produkt/e frei von Material- und Herstellungsfehlern ist.

Diese Garantie deckt keinerlei Mängel, Schäden und Fehler ab, die - direkt oder indirekt - durch falsche oder nicht sachgemäße Verwendung, Fahrlässigkeit, Unfallschäden, Reparaturen oder unzureichende Wartungs- oder Reinigungsarbeiten sowie durch natürliche Abnutzung durch den Gebrauch verursacht werden.

Weitere Einzelheiten zur Garan können den allgemeinen Geschäftsbedingungen (AGB) entnommen werden.

Diese können Ihnen auf Wunsch per Post oder Mail zugesendet werden.

TOOL FRANCE behält sich das Recht vor, jederzeit Änderungen am Produkt und am Zubehör vorzunehmen.

---

TOOL FRANCE garantit que le/les produit(s) fourni(s) est/sont exempt(s) de défauts matériels et de défauts de fabrication.

Cette garantie ne couvre pas les défauts, dommages et défaillances causés, directement ou indirectement, par l'utilisation incorrecte ou inadéquate, la négligence, les dommages accidentels, la réparation, la maintenance ou le nettoyage incorrects et l'usure normale.

Vous pouvez trouver de plus amples détails sur la garantie dans les conditions générales (CG).

Les CG peuvent être envoyées sur demande par poste ou par e-mail.

TOOL FRANCE se réserve le droit d'effectuer des changements sur le produit et les accessoires à tout moment.

# UK DECLARATION OF CONFORMITY

Edition March 2024

Product:  
**METAL BAND SAW**

Model:  
**SX-823DGSVI / SX-827DGSVI**

Brand:  
**PROMAC**

Manufacturer or authorized representative:

**TOOL FRANCE**

Unit 1a Stepnell Park

Off Lawford Road

Rugby

CV212UX

United Kingdom

We hereby declare that this product complies with the regulations:

**SUPPLY OF MACHINERY (SAFETY) REGULATIONS 2008**  
**ELECTROMAGNETIC COMPATIBILITY REGULATIONS 2016**

Designed in consideration of the standards:

**EN ISO 12100:2010**

**EN ISO 13849-1:2015, EN ISO 16093:2017**

**EN 60204-1:2018**

**EN 61000-6-2:2005**

**EN 61000-6-4:2007+A1:2011**

Responsible for the documentation / Dokumentations-Verantwortung / Responsable de la documentation :



**JÉRÔME GERMAIN**  
GENERAL MANAGER  
DIRECTEUR GÉNÉRAL

**N° de série / serial number :**

At lisses / Hergestellt in / Fait à Lisses

Date :

# CE-CONFORMITY DECLARATION CE-KONFORMITÄTSERKLÄRUNG DÉCLARATION DE CONFORMITÉ CE

Edition March 2024

Product/Produkt/Produit:

Metal Band Saw / Metallbandsäge / Scie à ruban

**SX-823DGSVI / SX-827DGSVI**

Brand/Marke/Marque:

**PROMAC**

Manufacturer or authorized representative/Hersteller oder Bevollmächtigter/Fabricant ou son mandataire:

**TOOL FRANCE**

9 Rue des Pyrénées, 91090 LISSES, France

We hereby declare that this product complies with the regulations  
Wir erklären hiermit, dass dieses Produkt der folgenden Richtlinie entspricht  
Par la présente, nous déclarons que ce produit correspond aux directives suivantes

**2006/42/EC**

Machinery Directive / Maschinenrichtlinie / Directive Machines

**2014/30/EU**

electromagnetic compatibility / elektromagnetische Verträglichkeit / compatibilité électromagnétique

designed in consideration of the standards  
und entsprechend folgender zusätzlicher Normen entwickelt wurde  
et été développé dans le respect des normes complémentaires suivantes

**EN ISO 12100:2010**

**EN ISO 13849-1:2015, EN ISO 16093:2017**

**EN 60204-1:2018**

**EN 61000-6-2:2005**

**EN 61000-6-4:2007+A1:2011**

Original instruction manual / Original-Bedienungsanleitung / Notice d'instruction Originale  
Responsible for the documentation / Dokumentations-Verantwortung / Responsable de la documentation :



**JÉRÔME GERMAIN**

GENERAL MANAGER

DIRECTEUR GÉNÉRAL

**N° de série / serial number :**

At lisses / Hergestellt in / Fait à Lisses

Date :