

**SX-823DGB**

METAL BANDSAW

BEDIENUNGSANLEITUNG

METALLBANDSÄGE MODELLE



[www.promac.fr](http://www.promac.fr)

**PROMAC**<sup>®</sup>

**CE UK  
CA**

**CAUTION****Install saw blade and blade guard**

before use. Set proper blade tension to prevent any danger caused by damaged saw blade or work piece

**ACHTUNG****Vor dem Gebrauch das Sägeblatt und die**

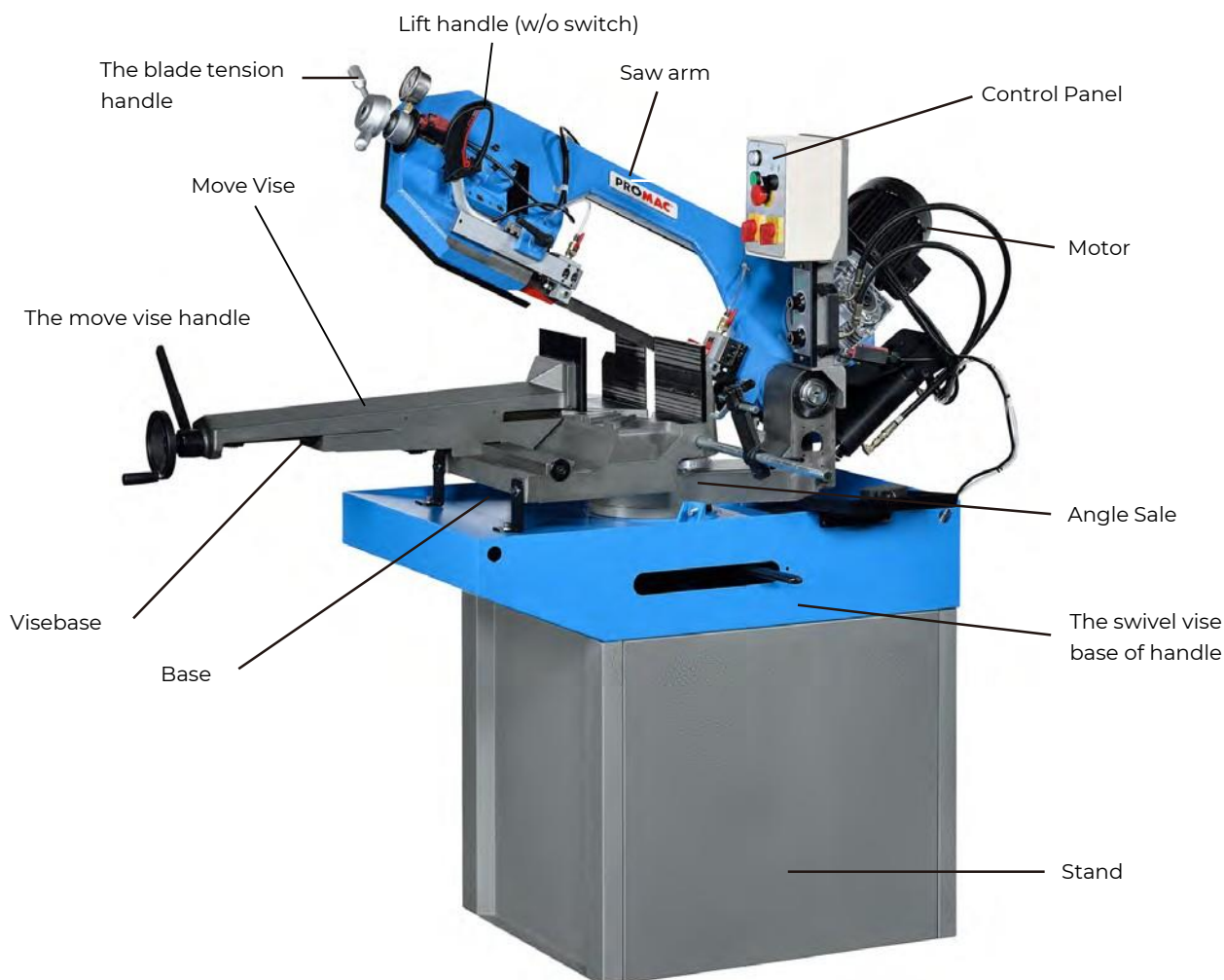
Sägeblattabdeckung installieren. Korrekte Blattspannung einstellen, um zu verhindern, dass keine Gefahr durch beschädigtes Sägeblatt oder Werkstück auftritt.

**ATTENTION****Installer la lame de scie et la garde de lame**

Avant utilisation Régler la tension correcte de la lame pour éviter tout danger causé par une lame de scie endommagée ou une pièce à travailler.

## EN – ENGLISH

### 1. Overall Aspect



## WARNING: FAILURE TO FOLLOW THESE RULES MAY RESULT IN SERIOUS PERSONAL INJURY

As with all machinery there are certain hazards involved with operation and use of the machine. Using the machine with respect and caution will considerably lessen the possibility of personal injury. However, if normal safety precautions are overlooked or ignored, personal injury to the operator may result.

This machine was designed for certain applications only. We strongly recommend that this machine NOT be modified and/or used for any application other than for which it was designed. If you have any questions relative to its application **DO NOT** use the machine until you contact with us and we have advised you.

**Your machine might not come with a power socket or plug. Before using this machine, please do ask your local dealer to install the socket or plug on the power cable end.**

## 2. SAFETY RULES FOR ALL TOOLS

### A. USER:

- (1). **WEAR PROPER APPAREL.** No loose clothing, gloves, rings, bracelets, or other jewelry to get caught in moving parts. Non-slip footwear is recommended. Wear protective hair covering to contain long hair.
- (2). **ALWAYS WEAR EYE PROTECTION.** Refer to ANSLZ87.1 standard for appropriate recommendations. Also use face or dust mask if cutting operation is dusty.
- (3). **DON'T OVERREACH.** Keep proper footing and balance at all times.
- (4). **NEVER STAND ON TOOL.** Serious injury could occur if the tool is tipped or if the cutting tool is accidentally contacted.
- (5). **NEVER LEAVE TOOL RUNNING UNATTENDED. TURN POWER OFF.** Don't leave tool until it comes to a complete stop.
- (6). **DRUGS, ALCOHOL, MEDICATION.** Do not operate tool while under the influence of drug, alcohol or any medication.
- (7). **MAKE SURE TOOL IS DISCONNECTED FROM POWER SUPPLY.** While motor is being mounted, connected or reconnected.
- (8). **ALWAYS** keep hands and fingers away from the blade.
- (9). **STOP** the machine before removing chips.
- (10). **SHUT- OFF** power and clean the BAND SAW and work area before leaving the machine.
- (11). **DO NOT** Touch the cutting Blade while the machine is turn on.

### B. USE OF MACHINE:

- (1). **REMOVE ADJUSTING KEYS AND WRENCHES.** Form habit of checking to see that keys and adjusting wrenches are removed from tool before turning it "on".
- (2). **DON'T FORCE TOOL.** It will do the job better and be safer at the rate for which it was designed.
- (3). **USE RIGHT TOOL.** Don't force tool or attachment to do a job for which it was not designed.
- (4). **SECURE WORK.** Use clamps or a vise to hold work when practical. It's safer than using your hand frees both hands to operate tool.
- (5). **MAINTAIN TOOLS IN TOP CONDITION.** Keep tools sharp and clean for best and safest performance. Follow instructions for lubricating and changing accessories.
- (6). **USE RECOMMENDED ACCESSORIES.** Consult the owner's manual for recommended accessories. The use of improper accessories may cause hazards.
- (7). **AVOID ACCIDENTAL STARTING.** Make sure switch is in "OFF" position before plugging in power cord.
- (8). **DIRECTION OF FEED.** Feed work into a blade or cutter against the direction of rotation of the blade or cutter only.
- (9). **ADJUST AND POSITION** the blade guide arm before starting the cut.
- (10). **KEEP BLADE GUIDE ARM TIGHT,** A loose blade guide arm will affect sawing accuracy.
- (11). **MAKE SURE** blade speed is set correctly for material being cut.
- (12). **CHECK** for proper blade size and type.
- (13). **STOP** the machine before putting material in the vise.
- (14). **ALWAYS** have stock firmly clamped in vise before starting cut.
- (15). **GROUND ALL TOOLS.** If tool is equipped with three-prong plug, it should be plugged into a three-hole electrical receptacle. If an adapter is used to accommodate at prong receptacle, the adapter lug must be attached to a known ground. Never removed the third prong.

### C. ADJUSTMENT :

MAKE all adjustments with the power off. In order to obtain the machine. precision and correct ways of adjustment while assembling, the user should read the detailed instruction in this manual.

### D. WORKING ENVIRONMENT:

- (1). **KEEP WORK AREA CLEAN.** Cluttered areas and benches invite accidents.
- (2). **DON'T USE IN DANGEROUS ENVIRONMENT.** Don't use power tools in damp or wet locations, or expose them to rain. Keep work area well-lighted.
- (3). **KEEP CHILDREN AND VISITORS AWAY.** All children and visitors should be kept a safe distance from work area.
- (4). **DON'T** install & use this machine in explosive, dangerous environment.

**E. MAINTENANCE:**

- (1). **DISCONNECT** machine from power source when making repairs.
- (2). **CHECK DAMAGED PARTS.** Before further using of the tool, a guard or other part that is damaged should be carefully checked to ensure that it will operate properly and perform its intended function. Check for alignment of moving parts, binding of moving parts, breakage of parts, mounting, and any other conditions that may affect its operation. A guard or other part that is damaged should be properly repaired or replaced.
- (3). **DISCONNECT TOOLS** before servicing and when changing accessories such as blades, bits, cutters, etc.
- (4). **MAKE SURE** that blade tension and blade tacking are properly adjusted.
- (5). **RE-CHECK** blade tension after initial cut with a new blade.
- (6). **TO PPROLONG BLADE LIFE ALWAYS** release blade tension at the end of each workday.
- (7). **CHECK COOLANT DAILY** Low coolant level can cause foaming and high blade temperatures. Dirty coolant can clog pump, cause crooked. Rust, low cutting rate and permanent blade failure. Dirty coolant can cause the growth of bacteria with ensuing skin irritation.
- (8). **WHEN CUTTING MAGNESIUM NEVER** use soluble oils or emulsions(oil-water mix) as water will greatly intensify any accidental magnesium chip fire. See your industrial coolant supplier for specific coolant recommendations when cutting magnesium.
- (9). **TO PREVENT** corrosion of machined surfaces when a soluble one is used as coolant, pay particular attention to wiping dry the surfaces where fluid accumulates and does not evaporate quickly, such as between the machine bed and vise.

**F. SPECIFIED USAGE:**

This machine is used only for general metals cutting within the range of cutting capacity.

**G. NOISE:**

A weighted sound pressure level : under 80 dB.

**H. SAFETY DEVICE:**

Interlock switch on cutting area as soon as the cover of cutting area is open, machine will stop at once with the function of this switch. Do not remove this switch from machine for any reason, and check its function frequently.

## 3. SPECIFICATION

## Variable Speed 23~92(50HZ)/28~110(60HZ)

MOTOR			1.5HP(2-Speed)
Saw Blade Speed		FPM	138/276(60Hz) ; 115/230(50Hz)
		MPM	42/84(60Hz) ; 35/70(50Hz)
Blade Size(mm)		27x0.9x2450	
Dimension LxWxH (mm)		1350x700x1326	
Packing	N.W / G.W (kgs)		320 / 355
	Measurement		1490x790x987
Cutting Capacity	0°	○ (mm)	225
		□ (mm)	200 x 200
		▭ (mm)	240 x 160
	45°	○ (mm)	145
		□ (mm)	140 x 140
		▭ (mm)	145 x 115
	-60°	○ (mm)	90
		□ (mm)	85 x 85
		▭ (mm)	85 x 100
	-45°	○ (mm)	145
		□ (mm)	140 x 140
		▭ (mm)	145 x 100

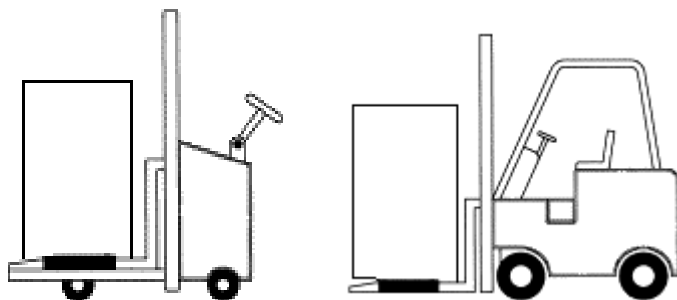
#### 4. FEATURURES:

1. This machine is useful for cutting normal steel, steel pipe, and provides cutting angle at + 60°and -45°by the swivel head.
2. A tooth selection chart was provided on the machine for cutting reference.
3. Variable speed control gives convenient selection of speeds. (This machine comes with a standard 2-speed motor. But can be purchased with a variable speed as an option.)
4. This machine is using manual cutting by pulling down the saw bow by hand. Start(press) button is located at the handle of the saw bow. Motor stops when button was released.
5. Stability of the machine, plus working table height is 950 mm, conforming to human engineering.
6. The one-inch blade and carbide guide provide better result of the cutting surface and efficiency.
7. The one-piece casting and one time CNC processing provide better rigidity and precision of the machine.
8. The one-piece and full coverage blade cover conforms to CE stipulation. Well coolant fluid collection system provides clean and dry, and safety of the working area.
9. Chip pan underneath the working table prevents coolant fluid leaking and keep floor dry.
10. Coolant for cutting,, water : oil = 40 : 1 oil specification.

#### 5. TRANSPORTATION & INSTALLATION:

##### 5-1. Unpacking

1. Transportation to desired location before unpacking, please use-lifting jack. (Fig. B)
2. Transportation after unpacking, please use heavy duty fiber belt to lift up the machine.



Fig, B

**ALLWAYS KEEP PROPER FOOTING & BALANCE WHILE MOVING THIS MACHINE.**

##### 5-2.TRANSPORTATION OF MACHINE:

As this machine weights 320kgs(705.4lbs) it is recommended that the machine be transported with help of lifting jack.

Transportation Recommendation:

1. Tighten all locks before operation.
2. Always keep proper footing & balance while moving this machine, and only use heavy duty of fiber belt to lift the machine as per Fig. A.
3. TURN OFF the power before wiring & be sure machine is properly grounded.  
Overload & circuit breaker are recommended for safety wiring.
4. Tighten 4 bolts to base holes after machine is balanced.
5. Check carefully if the saw blade is running in counter- clockwise direction if not, reverse the wiring per circuit diagram, then repeat the running test.
6. Keep machine always out from sun, dust, wet, or raining area.

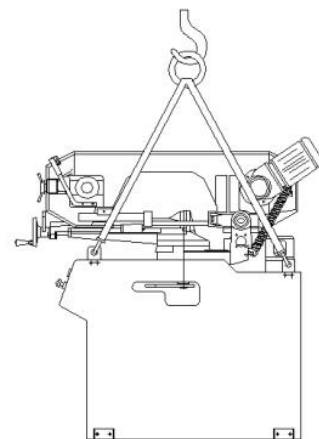
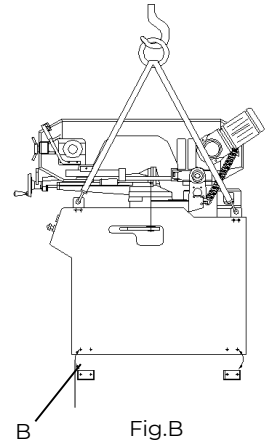


Fig. A

### 5-3. Installation:

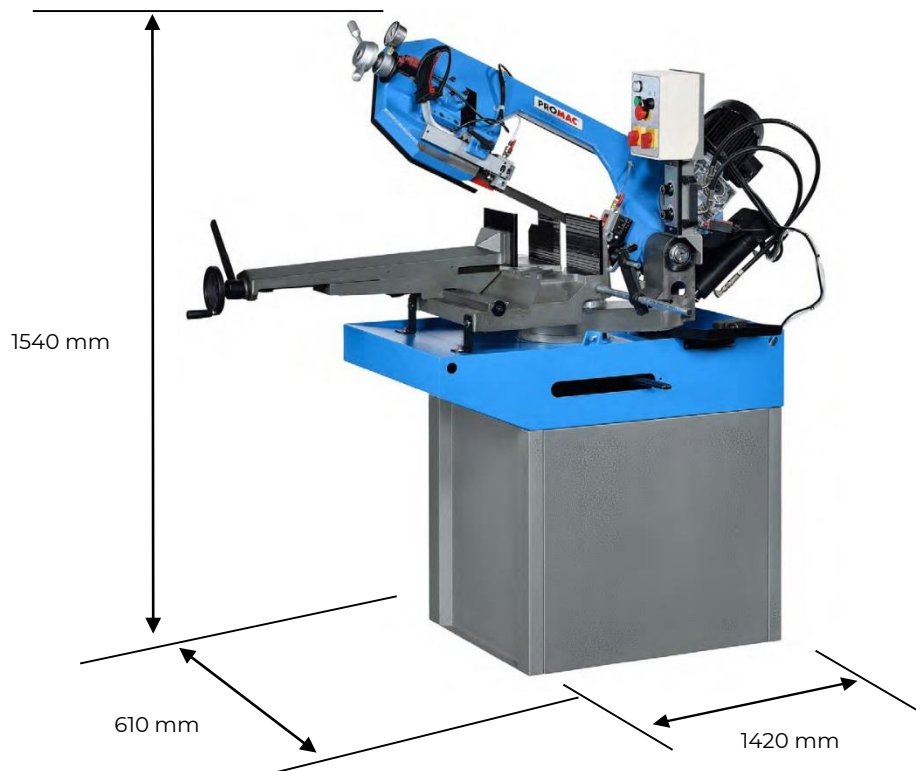
- (1) Always Keep proper footing & balance while moving this 320kgs machine. And only use heavy-duty fiber belt to lift the machine as per Fig. (B).
- (2) Hang the machine up, away from the floor, take away the 4 pads and assemble them on the auxiliary stand. Fix the machine on the auxiliary stand and lock the connection nut.
- (3) Finish removing this wooden case/crate from the machine. Unbolt the machine from the crate bottom.
- (4) Position & tighten 4 bolts into base holes properly after machine in balance.
- (5) Turn off the power before wiring & be sure machine is in proper grounding. Overload & circuit breaker is recommended for safety wiring.
- (6) Keep machine always out from sun, dust, wet, raining area.



### 5-4. CLEAIG & LURICATING

- (1) Your machine has been coated with a heavy grease to protect it in shipping. This coating should be completely **removed before operate the machine. Commercial degrease, kerosene or similar solvent may be used to remove the grease from the machine, but avoid getting solvent on belts or other rubber parts.**
- (2) After cleaning, coat all bright work with a light lubricant. Lubricate all points . with a medium consistency machine oil.

## 6. MINIMUM ROOM SPACE FOR MACHINE OPERATION





## 7. MAKE PROPER TOOTH SELECTION

For maximum cutting efficiency and lowest cost per cut, it is important to select the blade with the right number of teeth per inch (TPI) for the material being cut. The material size and shape dictate tooth selection.

### TOOTH SELECTION

You need to consider:

**The width of the cut** - That is, the distance in the cut that each tooth must travel from the point it enters the work-piece until it leaves the work-piece, and

1. The shape of the work-piece.

**Squares, Rectangles, Flats (Symbol : ■)** Locate the width of cut on the chart. (Inches on the outer circle and millimeters on the inner circle.) Select the tooth pitch on the ring marked with the square shape which aligns with the width of cut. EXAMPLE: 6" (150mm) square, use a 2/3 Vari-Tooth.

#### Round Solids (Symbol : ●)

Locate the diameter of your work-piece on the chart. Select the tooth pitch on the ring marked with the round shape which aligns with the size of stock you are cutting. EXAMPLE: 4" (100mm) round, use a 3/4 Vari-Tooth.

**Tubing, Pipe, Structural ( Symbol : O H ^ )** Determine the average width of cut by dividing the area of the work-piece by the distance the saw blade must travel to finish the cut. Locate the average width of cut on the chart. Select the tooth Ditch on the ring marked with the tubing and structural shape, which aligns with the average width you are cutting.

EXAMPLE: 4"(100mm) outside diameter, 3"(75mm) inside diameter tubing.

$$4''(100\text{mm}) \text{ OD} = 12.5 \text{ sq.in. (79 cm}^2\text{)}$$

$$3''(75 \text{ mm}) \text{ ID} = 7.0 \text{ sq.in. (44 cm}^2\text{)}$$

---

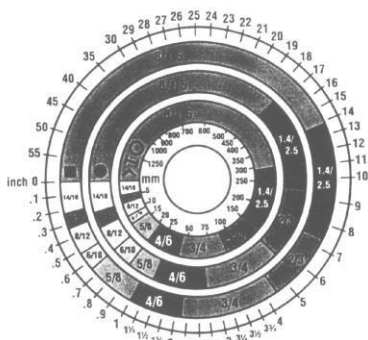

$$\text{Area} = 5.5 \text{ sq.in. (35cm}^2\text{)}$$

$$5.5 \text{ sq.in. (35cm}^2\text{)} / 4'' (100\text{mm}) \text{ distance}$$

$$= 1.38 (35\text{mm}) \text{ average width}$$

1.38" (35mm), use a 4/6 Vari-Tooth

**NOTE:** The band speed and cutting rate recommendations presented on this chart are approximations and are to be used as a starting point for most applications. For exact sawing parameters' consult your saw blade supplier.



## 8. BI-METAL SPEEDS AND FEEDS

These figures are a guide to cutting 4"(100mm) material (with a 314 Vari-Tooth) when using a cutting fluid.

Increase Band Speed:

15% When cutting 1/4"(6.4mm) material (10/14 Vari-Tooth)

12% When cutting 3/4"(19 mm) material (6/10 Vari-Tooth)

10% When cutting 1-1/4"(32 mm) material(5/8 Vari-Tooth)

5% When cutting 2-1/2" (64 mm) material(4/6 Vari-Tooth)

Decrease Band Speed: 12% When cutting 8"(200mm) material(2/3 Vari-Tooth)

MATERIAL	ALLOY ASTM NO.	BAND SPEED	
		FT./MIN	M/MIN
Copper Alloy	173,932	314	96
	330,365	284	87
	623,624	264	81
	230,260,272	244	74
	280,264,632,655	244	74
	101,102,110,122,172	234	71
	1751,182,220,510	234	71
	625,706,715,934	234	71
	630	229	70
	811	214	65
Carbon Steel	1117	339	103
	1137	289	88
	1141,1144	279	85
	1141 HI STRESS	279	85
	1030	329	100
Carbon Steel	1008,1015,1020,1025	319	97
	1035	309	94
	1018,1021,1022	299	91
	1026,1513	299	91
	A36(SHAPES),1040	269	82
	1042,1541	249	76
	1044,1045	219	67
	1060	199	61
	1095	184	56
Ni-Cr-Mo Alloy Steel	8615,8620,8622	239	73
	4340,E4340,8630	219	67
	8640	199	61
	E9310	174	53
Tool Steel	A-6	199	61
	A-2	179	55
	A-10	159	49

MATERIAL	ALLOY ASTM NO.	BAND SPEED	
		FT./MIN	M/MIN
	D-2	90	27
	H-11,H-12,H-13	189	58
Stainless Steel	420	189	58
	430	149	46
	410,502	140	43
	414	115	35
	431	95	29
	440C	80	24
	304,324	120	36
	304L	115	35
	347	110	33
	316,316L	100	30
	416	189	58

### TELLTALE CHIPS

Chips are the best indicators of correct feed force.

Monitor chip information and adjust feed accordingly.

Thin or powdered chips –  
increase feed rate or  
reduce band speed.

Burned heavy chips –  
reduce feed rate and/or  
band speed.

Curly silvery and warm chips –  
optimum feed rate and band  
speed.



## 9. USE OF MAIN MACHINE PARTS

### 9-1. POWER SYSTEMS AND CONTROL PANEL

The electrical rating of your band saw is either with 230 volt-single phase, or 400 volt-3 phase, magnetic control.

Before connecting your machine to an electrical power system, be sure the motor shaft is running in the correct direction.

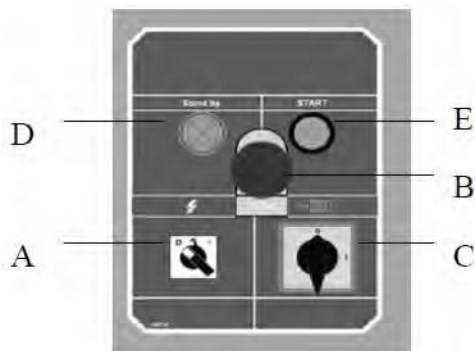
We recommend that 1.5mm<sup>2</sup> fused with a 10 amp, dual element, time lag fuse, to be used to supply power to all machines regardless of their electrical rating.

Refer to the electrical wiring diagram supplied with your machine for instructions on how to connect saw to power source. Power must be cut off when wheel cover is opened or during repairing.

Please check the moving direction of the blade. If the blade is moving in the wrong direction, please re-connect the wire.

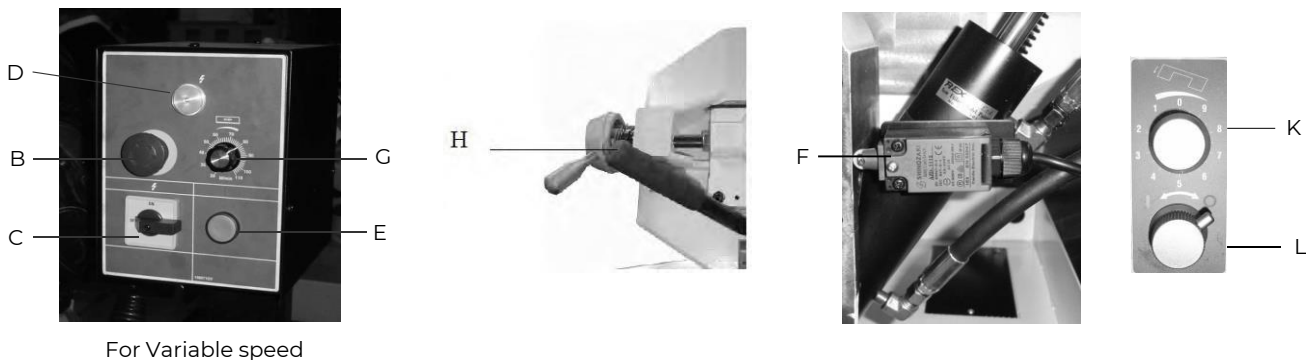
#### 9-2-1. STARTING AND STOPPING MACHINE (cylinder system)

1. Light (D) will be on when power is connected.
2. Rising up the saw arm away from the saw table.
3. Turn right Valve (L) to Close hydraulic valve when in operation.
4. Turn (K) to controlling downwards of saw arm. And control the downward speed by adjusting hydraulic volume valve.
5. When motor is running, turn right (K), saw arm will automatically go down and start cutting the work piece. When the cutting is finished, push button (E) to stop the machine, lift saw arm rise up itself and close (L), to next reset cutting.
6. Start the motor by turning ON the power seitch (C), Push the button (E) to start blade saw.
7. Turn (A) ( 0-close,1-open) to open the coolant system
8. Turn (G) to choice the low and high speed.
9. When saw blade is closing work piece. Or when the cut is completed, the coolant system off
10. Press emergency button (B) to shut-off the motor when in emergent situation.
11. The motor will be stopped when the Frame touch the Limit switch(F).
12. The coolant system will run and stop with blade operation.
13. This handle(H) will not install a switch if your machine is using cylinder system. Please use the star switch(E) on the electrical box for star operation.



### 9-2-2. FOR VARIABLE SPEED

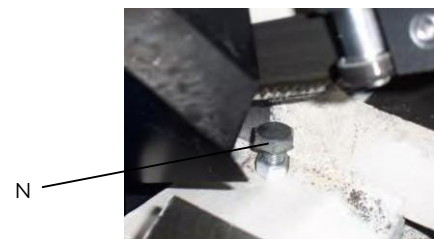
14. Light (D) will be on when power is connected.
15. Rising up the saw arm away from the saw table.
16. Turn right Valve (L) to Close hydraulic valve when in operation.
17. Turn (K) to controlling downwards of saw arm. And control the downward speed by adjusting hydraulic volume valve.
18. When motor is running, turn right (K), saw arm will automatically go down and start cutting the work piece. When the cutting is finished, push button (E) to stop the machine, lift saw arm rise up itself and close (L), to next reset cutting.
19. Start the motor by turning the start button (C), Push the button (E) to start blade saw.
20. The coolant system will start as the saw blade operating. The coolant system will stop running as the saw blade stop operating.
21. Turning (G) to adjust the cutting speed. (Please take the recommend speed reference on the manual)When saw blade is closing work piece. Or when the cut is completed, turn off the coolant system (A)
22. Press emergency button (B) to shut-off the motor when in emergent situation.
23. The motor will be stopped when the Frame touch the Limit switch(F).
24. The coolant system will run and stop with blade operation.
25. This handle(H) will not install a switch if your machine is using cylinder system. Please use the star switch(E) on the electrical box for star operation



### 9-3. ADJUSTING UPWARD AND DOWNWARD TRAVEL OF SAW ARM

The downward travel of the saw arm should be adjusted so that when the saw arm is in the extreme downward position, the teeth of the blade will not touch the table surface.

The stop screw (N) is used to adjust the distance between blade and table surface. After the distance is adjusted, tighten lock nut.



### 9-4. ADJUSTING BLADE TENSION AND BLADE TRACKING

To tension the blade, turn the blade tension handle (fig. 1)(A) clockwise. The scale is graduated to indicate blade tension of 20,000, 30,000 and 35,000 pounds per square inch (psi).

For carbon blades, the blade should be tensioned at 20,000 psi. For bi-metal blades (similar to the one supplied with the machine), the blade should be tensioned at 30,000 or 35,000 psi. Always release blade tension at the end of each working day to prolong blade life.

Make sure the blade is tensioned correctly before checking or adjusting tracking. The blade is tracking properly when the back of the blade is just lightly touching the wheel flanges of both wheels while the machine is running.

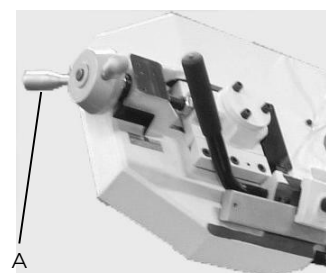


Fig. 1

### 9-5.ADJUSTING CUTTING WIDTH

First loosen screw (A) (fig.2).

Move the left blade guide bar to the suitable position.

Then tighten screw (A).



Fig. 2

### 9-6. ADJUSTING BLADE GUIDE ROLLER BEARINGS, CARBIDE BLADE GUIDES AND BACK-UP BEARINGS AND CLEARING THE CUTTING CHIP

Before making the following adjustments, make sure the blade is tracking and tensioned properly:

1. The back of the blade (A) (fig.3) should ride against the back-up block (B). To adjust, loosen set screw (C) and move the guide block (D) up or down, until it lightly touches the back of the blade .
2. The saw blade (A) should also ride between and lightly touch the two blade guide roller bearings (E) and (F) (fig. 9). The front bearing (E) (fig. 9) is mounted on an eccentric, and can easily be adjusted suit blade thickness by loosening set screw (G) and turning shaft (E).
3. The carbide blade guides (H) (fig 9) should also be adjusted so they lightly touch the blade by loosening screw (K).
4. The blade guide roller bearings, carbide guides and backup bearing on holder (fig 9 ) should be adjusted in the same manner.
5. Cutting chips on the blade will be cleared by the steel brush.



Fig. 3

A F G E H B K D C

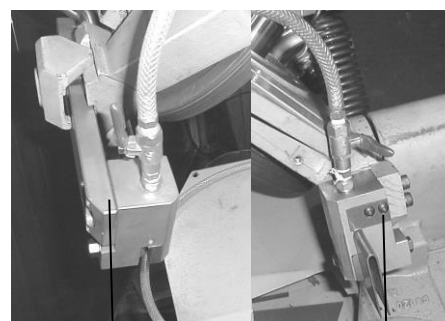
### 9-7.BLADE AND COOLING SYSTEM

The use of proper cutting fluid is essential to obtain maximum efficiency from a band saw blade. The main cause of tooth failure is excessive heat build-up.

This is the reason that cutting fluid is necessary for long blade life and high cutting rates. cutting area and blade wheels should be kept clean at all time.

The rate of coolant flow is controlled by the stop valve lever (A) (fig. 4), which directs the coolant onto the blade. The lever (A) is shown in the off position.

**Always keep the floor dry to prevent slip or any accident.**



A

Fig. 4

A

### 9-8. OPERATING THE TRU-LOCK VISE SYSTEM INSTRUCTIONS

To operate, proceed as follows:

- 1) Raise the arm 2" above the work piece; close the cylinder valve to maintain the arm 2" above the work piece.
- 2) Put your work piece on the table. Move the vise handle (A) upwards to an angle of 45 degree (a-Half opened) to loosen the vise. Move the vise jaw bracket against the work piece by turning the rectangular handle (B) . Push down on the vise handle (A) to lock the work piece in position.
- 3) To loosen the work piece from the vise, hold the work piece and lift the vise handle (A) to a 90 degree position (completely opened). Remove work piece.

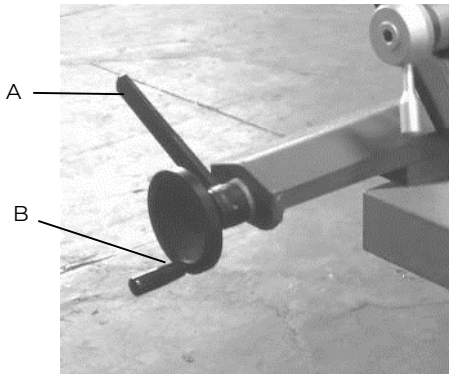


Fig. 5

#### CONTINUED CUTTING:

When you need to cut a work piece many times, just raise the vise handle (A) to loosen and adjust work piece position.

Then push down on the same handle to tighten. You can also push the vise handle (A) down first, and then tightening the vise by turning the rectangular handle (B) clockwise. After finishing the cut, you can loosen the work piece by turning rectangular handle only. This Tru-Lock Vise System has a 4mm tightening travel when the rectangular handle is completely opened. There is only a 2mm tightening travel necessary for normal metal materials.

The operator can tighten the work piece by pushing down the vise handle (A) with a certain amount of pressure depending on hardness of work piece.

### 9-9. VARIABLE CUTTING ANGLE SELECTION

Please proceed as follows to obtain desired cutting angle. The swivel range is from 0° to 60° clockwise. Before swinging the base, make sure there is nothing in the way, or any interference.

1. Pull out the bar (A) (fig. 6) swing and hold the bar.
2. Push to turn the swivel base to desired angle. Refer to scale on (B) for degree.
3. Lock the bar (A), then start the cutting.



Fig. 6

A

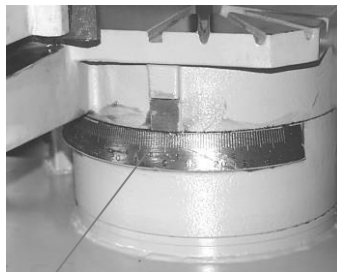


Fig. 7

B

### 9-10. REMOVING AND INSTALLING THE BLADE

When it is necessary to replace the blade, proceed as follows:

1. Raise the saw frame about 6" and close the feed on/off knob by turning it clockwise as far as it will go (fig 8).
2. Move the blade guide arm to the right.(Fig.9).
3. Disconnect the machine from the power source. Loosen cover screw, remove cover (A), open the cover (B), remove cover (C) , then clean the chips and dirt inside the machine.
4. Release blade tension (F) (fig 9) by turning the blade tension hand-wheel counterclockwise.
5. Remove the blade from both wheels and out of each blade guide. But remove side (B) saw blade. When totally released, then remove the side (A).
6. Make sure the teeth of the new blade are pointing in the right direction. IF necessary, turn the blade inside out.
7. Place the new blade on the wheels. In the blade guides and adjust blade tension and blade guides.

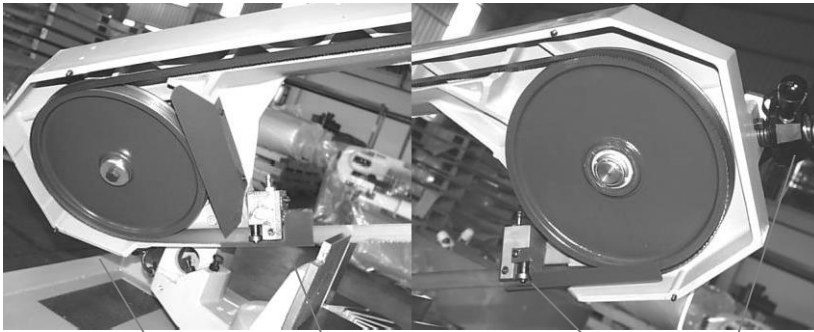


Fig. 8

A

B

Fig. 9

C

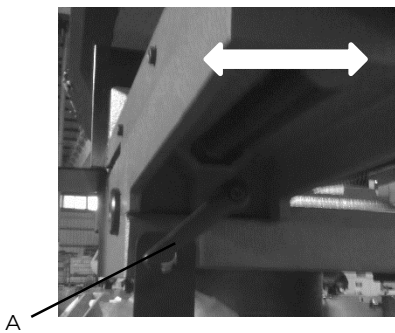
F

### 9-11. VISE POSITION ADJUSTMENT

Vise position movement: (LEFT, RIGHT)

The vise and bow is designed as swivel type. Vise position is designed to move to left and right. Before the movement, turn handle (A) to anti-clock direction to release the lock, the vise can be moved to the correct position. And lock it with turning the handle (A) in clock direction.

NOTE: Please pay attention that the vise position and bow downward position should not be touched.



A

**10. MAINTAINING**

That's easier to keep machine in good condition or best performance by means of maintaining it at any time than remedy it after it is out of order.

## (1) Daily Maintenance (by operator)

- (a) Fill the lubricant before starting machine everyday.
- (b) If the temperature of spindle caused over-heating or strange noise, stop machine immediately to check it for keeping accurate performance.
- (c) Keep work area clean; release vise, cutter, work-piece from table; switch off power source; take chip or dust away from machine and follow instructions lubrication or coating rust proof oil before leaving.

## (2) Weekly Maintenance

- (a) Clean and coat the cross leading screw with oil.
- (b) Check to see if sliding surface and turning parts lack of lubricant. If tile lubricant is insufficient, fill it.

## (3) Monthly Maintenance

- (a) Check if the fixed portion has been loose.
- (b) Lubricate bearing worm, and worm shaft to avoid the wearing.

## (4) Yearly Maintenance

- (a) Adjust table to horizontal position for maintenance of accuracy.
- (b) Check electric cord, plugs, switch, at least once a year to avoid loosening or wearing.

**11. TROUBLE SHOOTING**

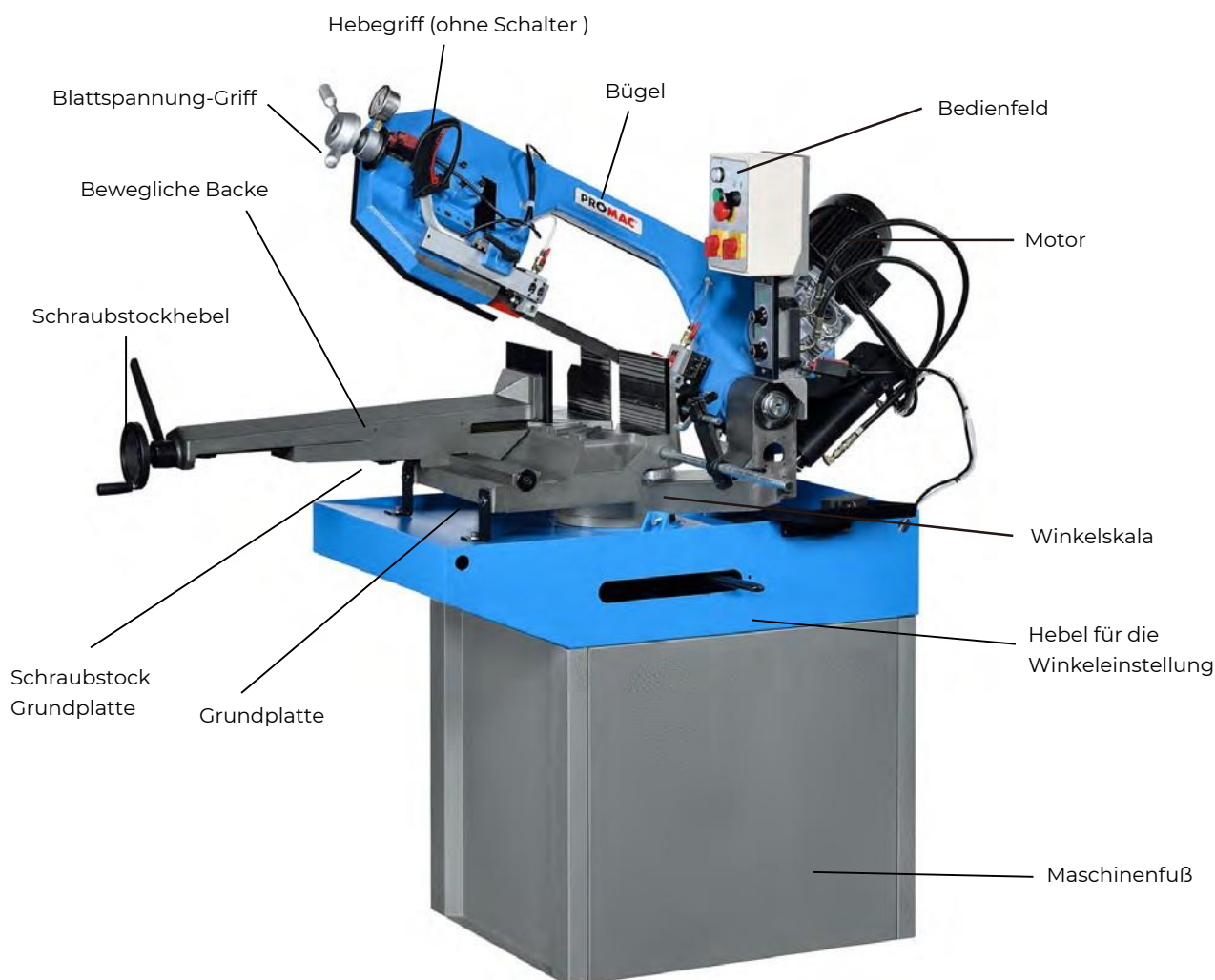
Symptom	Possible Cause(s)	Corrective Action
Machine can not be started	<ol style="list-style-type: none"> <li>1. Power is not plugged; the power light on control panel is not on.</li> <li>2. Motor can not be started; power was cut by limit switch.</li> <li>3. Operation button can not be normally operated.</li> </ol>	<ol style="list-style-type: none"> <li>1. Check the motor specification; connect the power with correct power supply. Make sure the power light in on.</li> <li>2. Make sure the cover is in correct position.</li> <li>3. Push the emergency button; return it to original position. Then release the emergency button.</li> </ol>
Excessive Blade Breakage	<ol style="list-style-type: none"> <li>1. Materials loosen in vise.</li> <li>2. Incorrect speed or feed</li> <li>3. Blade teeth spacing too large</li> <li>4. Material too coarse</li> <li>5. Incorrect blade tension</li> <li>6. Teeth in contact with material before saw is started</li> <li>7. Blade rubs on wheel flange</li> <li>8. Miss-aligned guide bearings</li> <li>9. Blade too thick</li> <li>10. Cracking at weld</li> </ol>	<ol style="list-style-type: none"> <li>1. Clamp work securely</li> <li>2. Adjust speed or feed</li> <li>3. Replace with a small teeth spacing blade</li> <li>4. Use a blade of slow speed and small teeth spacing</li> <li>5. Adjust to where blade just does not slip on wheel</li> <li>6. Place blade in contact with work after motor is started</li> <li>7. Adjust wheel alignment</li> <li>8. Adjust guide bearings</li> <li>9. Use thinner blade</li> <li>10. Weld again, beware the welding skill.</li> </ol>



Premature Blade Dulling	<ol style="list-style-type: none"> <li>Teeth too coarse</li> <li>Too much speed</li> <li>Inadequate feed pressure</li> <li>Hard spots or scale on material</li> <li>Work hardening of material.</li> <li>Blade twist</li> <li>Insufficient blade</li> <li>Blade slide</li> </ol>	<ol style="list-style-type: none"> <li>Use finer teeth</li> <li>Decrease speed</li> <li>Decrease spring tension on side of saw</li> <li>Reduce speed, increase feed pressure</li> <li>Increase feed pressure by reducing spring tension</li> <li>Replace with a new blade, and adjust blade tension</li> <li>Tighten blade tension adjustable knob</li> <li>Tighten blade tension</li> </ol>
Unusual Wear on Side/ Back of Blade	<ol style="list-style-type: none"> <li>Blade guides worn.</li> <li>Blade guide bearings not adjust properly</li> <li>Blade guide bearing bracket is loose</li> </ol>	<ol style="list-style-type: none"> <li>Replace.</li> <li>Adjust as per operators manual</li> <li>Tighten.</li> </ol>
Teeth Ripping from Blade.	<ol style="list-style-type: none"> <li>Tooth too coarse for work</li> <li>Too heavy pressure; too slow speed.</li> <li>Vibrating work-piece.</li> <li>Gullets loading</li> </ol>	<ol style="list-style-type: none"> <li>Use finer tooth blade.</li> <li>Decrease pressure, increase speed</li> <li>Clamp work piece securely</li> <li>Use coarser tooth blade or brush to remove chips.</li> </ol>
Motor running too hot	<ol style="list-style-type: none"> <li>Blade tension too high.</li> <li>Drive belt tension too high.</li> <li>Blade is too coarse for work</li> <li>Blade is too fine for work</li> <li>Gears aligned improperly</li> <li>Gears need lubrication</li> <li>Cut is binding blade</li> </ol>	<ol style="list-style-type: none"> <li>Reduce tension on blade.</li> <li>Reduce tension on drive belt.</li> <li>Use finer blade.</li> <li>Use coarse blade.</li> <li>Adjust gears so that worm is in center of gear.</li> <li>Check oil path.</li> <li>Decrease reed anti speed</li> </ol>
Bad Cuts (Crooked)	<ol style="list-style-type: none"> <li>Feed pressure too great.</li> <li>Guide bearings not adjusted properly</li> <li>Inadequate blade tension.</li> <li>Dull blade.</li> <li>Speed incorrect.</li> <li>Blade guides spaced out too much</li> <li>Blade guide assembly loose</li> <li>Blade truck too far away from wheel flanges</li> </ol>	<ol style="list-style-type: none"> <li>Reduce pressure by increasing spring tension on side of saw</li> <li>Adjust guide bearing, the clearance can not greater than 0.001.</li> <li>Increase blade tension by adjust blade tension</li> <li>Replace blade</li> <li>Adjust speed</li> <li>Adjust guide space.</li> <li>Tighten</li> <li>Re-track blade according to operating instructions.</li> </ol>
Bad Cuts (Rough)	<ol style="list-style-type: none"> <li>Too much speed or feed</li> <li>Blade is too coarse</li> <li>Blade tension loose</li> </ol>	<ol style="list-style-type: none"> <li>Decrease speed or feed.</li> <li>Replace with finer blade.</li> <li>Adjust blade tension.</li> </ol>
Blade is twisting	<ol style="list-style-type: none"> <li>Cut is binding blade.</li> <li>Too much blade tension</li> </ol>	<ol style="list-style-type: none"> <li>Decrease reed pressure.</li> <li>Decrease blade tension.</li> </ol>
Saw arm can not be raised up after pushing the raising button	<ol style="list-style-type: none"> <li>Improper setting of depth gauge</li> </ol>	<ol style="list-style-type: none"> <li>Press the emergency stop Button and RESET.</li> <li>Check the upper limit switch and stop round Position. Make sure the limit switch is always underneath the stop round bar.</li> <li>Check the oil gauge ; make sure the oil is in proper range.</li> <li>Check the motor revolution direction; make sure the motor revolution is in clock-wise direction.</li> </ol>

## DE – DEUTSCH

## 1. Allgemeine Ansicht



## WARNUNG: NICHTBEACHTUNG DIESER VORSCHRIFTEN KANN ZU SCHWEREN VERLETZUNGEN FÜ HREN

Wie bei allen Maschinen gibt es bestimmte Gefahren bei dem Betrieb und der Benutzung der Maschine. Benutzung der Maschine mit Respekt und Achtung wird deutlich die Verletzungsgefahr vermindern. Jedoch falls die üblichen Sicherheitsvorkehrungen übersehen oder ignoriert werden, kann dass zu Verletzungen des Bedieners führen.

Diese Maschine wurde für bestimmte Anwendungen entworfen. Wir empfehlen dringend, diese Maschine nicht verändern und/oder für keine andere Anwendung verwenden, als die, für die sie entwickelt wurde. Wenn Sie irgendwelche Fragen zur Anwendung der Maschine haben, die Maschine NICHT BENUTZEN, bevor Sie mit uns Kontakt aufnehmen. Wir beraten Sie.

**Ihre Maschine wird möglicherweise nicht mit einer Steckdose oder einem Stecker geliefert. Vor der Benutzung dieser Maschine lassen Sie Ihren Händler die Steckdose oder den Stecker auf das Stromkabel montieren.**

## 2. SICHERHEITSBESTIMMUNGEN FÜR ALLE WERKZEUGE

### A. BENUTZER:

- (1). **TRAGEN SIE GEEIGNETE KLEIDUNG.** Keine lockere Kleidung. Handschuhe, Ringe, Armbänder oder andere Schmuckteile können sich in beweglichen Teilen verfangen. Rutschfeste Schuhe werden empfohlen. Tragen Sie Haarschutz, um langes Haar zu vom Einziehen zu schützen.
- (2). **TRAGEN SIE IMMER EINE SCHUTZBRILLE.** Siehe Norm ANSLZ87.1 für entsprechende Empfehlungen. Gesichts- oder Staubmaske benutzen, wenn bei der Arbeit Staub entsteht.
- (3). **NICHT Ü BERREICHEN.** Behalten Sie stets passenden Stand und Gleichgewicht.
- (4). **NIEMALS AUF DEM WERKZEUG STEHEN.** Schwere Verletzungen können auftreten, wenn das Werkzeug kippt oder wenn das Schneidwerkzeug unbeabsichtigt kontaktiert wird.
- (5). **Das Werkzeug nie unbeaufsichtigt laufen lassen. STROMVERSORUNG AUSSCHALTEN.** Verlassen Sie das Werkzeug nicht, bis es zum Stillstand kommt.
- (6). **DROGEN, ALKOHOL, MEDIKAMENTE.** Das Werkzeug nicht unter dem Einfluss von Drogen, Alkohol oder Medikamente betreiben.
- (7). **SICHERSTELLEN, DASS DAS WERKZEUG VON DER STROMVERSORUNG GETRENNT IST.** Während der Motor montiert, nageschlossen oder erneut angeschlossen wird.
- (8). Halten Sie die Hände und Finger **IMMER** fern von dem Sägeblatt.
- (9). Vor dem Entfernen der Späne die Maschine **STOPPEN.**
- (10). Strom **abschalten** und die Bandsäge und den Arbeitsbereich nach der Arbeit reinigen.
- (11). Das Sägeblatt bei eingeschalteter Maschine **NICHT** berühren.

### B. VERWENDUNG DER MASCHINE:

- (1). **ENTFERNEN SIE EINSTELLSCHLÜSSEL UND SCHRAUBENSCHLÜSSEL.** Bilden Sie die Gewohnheit vor dem Einschalten zu prüfen, ob alle Einstellschlüssel und Schraubenschlüssel aus dem Werkzeug entfernt sind.
- (2). **DAS WERKZEUG NICHT Ü BERLASTEN.** Die Werkzeuge arbeiten besser und sicherer bei beabsichtigter Belastung.
- (3). **VERWENDEN SIE DAS RICHTIGE WERKZEUG.** Benutzen Sie kein Werkzeug oder Anbaugerät für die Arbeit, für die es nicht ausgelegt ist.
- (4). **SICHERES ARBEITEN.** Verwenden Sie Klemmen oder einen Schraubstock, um das Werkstück zu halten, wenn praktisch. Es ist sicherer als die Verwendung ihrer Hände und es bleiben beide Hände zum Bedienen des Werkzeugs frei.
- (5). **Halten Sie die Werkzeuge in einwandfreiem Zustand.** Werkzeuge scharf und sauber halten für bessere und sicherere Leistung. Folgen Sie die Anweisungen zum Ölen und Auswechslung der Zubehörteile.
- (6). **VERWENDEN SIE EMPFOHLENE ZUBEHÖRTEILE.** Siehe Sie die Bedienungsanleitung für empfohlenes Zubehör. Die Verwendung falscher Zubehörteile kann zu Gefahren führen.
- (7). **VERMEIDEN SIE UNABSICHTLICHE EINSCHALTUNG.** Sorgen Sie, dass der Schalter beim Anschließen der Stromversorgung in „AUS“ Position ist.
- (8). **VORSCHUBRICHTUNG.** Schieben Sie das Werkstück in das Sägeblatt nur gegen die Drehrichtung des Sägeblattes.
- (9). **Anpassen und positionieren** Sie den Führungsbügel vor Beginn der Arbeit.
- (10). **DEN FÜHRUNGSBÜGEL** festhalten. Lockerer Führungsbügel beeinträchtigt die Schnittgenauigkeit.
- (11). **Stellen Sie sicher,** dass die Sägegeschwindigkeit für das zu schneidende Material richtig eingestellt ist.
- (12). **Überprüfen Sie,** ob die Sägeblattgröße und -Typ richtig sind.
- (13). Bevor Sie das Material in den Schraubstock einspannen, die Maschine zum **STOP** bringen.
- (14). Vor dem Sägen das Material **IMMER** in den Schraubstock fest einspannen.
- (15). **ALLE WERKZEUGE SOLLEN GEERDET WERDEN.** Wenn das Werkzeug mit einem 3-poligen Stecker ausgestattet ist, sollte es in entsprechende 3-polige Steckdose eingesteckt werden. Wenn ein Adapter für 2-polige Steckdose verwendet wird, muss zusätzlich ein Erdleiter zur gemeinen Masse vorhanden sein. Niemals den dritten Pol entfernen.

### C. EINSTELLUNG :

Alle Einstellungen im ausgeschalteten Zustand vornehmen. Um die Genauigkeit und korrekte Einstellungen während der Montage der Maschine zu gewährleisten, sollte der Benutzer detaillierte Anweisungen in diesem Handbuch gelesen haben.

#### D. ARBEITSUMGEBUNG:

- (1). **ARBEITSBEREICH SAUBER HALTEN.** Überfüllte Bereiche und Bänke erhöhen Verletzungsgefahr.
- (2). **NICHT IN GEFÄHRLICHER UMGEBUNG BENUTZEN.** Elektrowerkzeuge nicht in feuchten oder nassen Umgebungen verwenden oder sie dem Regen aussetzen. Arbeitsbereich soll gut beleuchtet sein.
- (3). **KINDER UND BESUCHER FERNHALTEN.** Alle Kinder und Besucher sollten auf sicherem Abstand vom Arbeitsbereich sein.
- (4). Diese Maschine **nicht** in explosiven, gefährlichen Umgebungen installieren und verwenden.

#### E. WARTUNG:

- (1). Während der Reparaturarbeiten die Maschine von der Stromversorgung trennen.
- (2). **AUF BESCHÄDIGTE TEILE PRÜFEN.** Vor der weiteren Benutzung des Werkzeugs sollen beschädigte Schutzvorrichtungen oder andere beschädigte Teile sorgfältig auf ihre beabsichtigte Funktion überprüft werden. Kontrollieren Sie Ausrichtung und Befestigung der beweglichen Teile, Bruchschäden von Teilen, Montage und andere Bedingungen, die den Betrieb beeinträchtigen könnten. Eine Schutzvorrichtung oder ein anderes beschädigte Teil sollten ordnungsgemäß repariert oder ersetzt werden.
- (3). Werkzeuge vor den Wartungsarbeiten **von der Stromversorgung trennen**; auch bei der Auswechslung der Zubehörteile, wie z. B. Sägeblätter, Bohrer, Fräser und dergleichen.
- (4). Stellen **Sie sicher**, dass die Blattspannung und Blattführung korrekt eingestellt sind.
- (5). Nach dem ersten Schnitt mit einem neuen Sägeblatt **erneut** die Blattspannung prüfen. Um die Lebensdauer des Sägeblattes zu verlängern, am Ende jedes Arbeitstages das Sägeblatt entspannen.
- (6). **Kühlmittel täglich prüfen.** Niedriger Kühlmittelstand kann Schaumbildung und hohe Sägeblatt-Temperaturen verursachen. Verschmutztes Kühlmittel kann die Pumpe verstopfen, Rost, niedrige Schnittgeschwindigkeit und dauerhafte Ausfälle verursachen. Verschmutztes Kühlmittel kann das Wachstum von Bakterien und anschließende Hautreizungen verursachen.
- (7). **Beim Schneiden von Magnesium niemals** mit löslichen Ölen oder Emulsionen (Öl-Wasser-Mischung) kühlen, da Wasser erheblich zufällige Magnesiumspänen-Zündung intensivieren kann. **Beim Schneiden von Magnesium** lassen Sie sich von Ihrem Kühlmittel-Lieferanten beraten, um spezielle Kühlmittel fürs Schneiden von Magnesium zu benutzen.
- (8). Um die Korrosion der bearbeiteten Oberflächen zu verhindern, wenn ein lösliches Kühlmittel verwendet wird, achten Sie vor allem auf die Oberflächen, wo sich die Flüssigkeit ansammelt und nicht verflüchtigt. Solche Bereiche, wie z. B. zwischen dem Maschinenbett und Schraubstock, trocken wischen.

#### F. VORAUSGESETZTE VERWENDUNG:

Diese Maschine ist nur fürs Schneiden von herkömmlichen Metallen innerhalb des Bereichs der Schnittleistung gedacht.

#### G. LÄRM:

Gewichteter Schalldruckpegel : unter 80 dB.

#### H. SICHERHEITSEINRICHTUNG:

Verriegelungsschalter im Schneidebereich. Sobald die Abdeckung des Arbeitsbereichs geöffnet ist, hält die Maschine sofort an. Entfernen Sie diesen Schalter aus Maschine aus keinem Grund und prüfen Sie häufig seine Funktion.

### 3. TECHNISCHE DATEN

#### Variable Geschwindigkeit 23~92 (50Hz) / 28~110 (60Hz)

MOTOR			1,5PS (2 Geschwindigkeiten)
Sägeblattgeschwindigkeit:		FPM	138/276 (60Hz) : 115/230 (50Hz)
		m/min	42/84 (60Hz) : 35/70 (50Hz)
Sägeblattgröße (mm)		27x0,9x2450	
Abmessungen LxBxH (mm)		1350x700x1326	
Verpackung	Netto / brutto (kg)		320 / 355
	Abmessungen		1490x790x987
Schneideleistung	0°	○ (mm)	225
		□ (mm)	200 x 200
		▭ (mm)	240 x 160
	45°	○ (mm)	145
		□ (mm)	140 x 140
		▭ (mm)	145 x 115
	-60°	○ (mm)	90
		□ (mm)	85 x 85
		▭ (mm)	85 x 100
	-45°	○ (mm)	145
		□ (mm)	140 x 140
		▭ (mm)	145 x 100

### 4. MERKMALE:

1. Diese Maschine kann zum Sägen vom normalen Stahl und Stahlrohren verwendet werden und ermöglicht den Schnittwinkel von + 60° und -45° mit dem Schwenkkopf.
2. Eine Auswahltablette für Verzahnung ist an der Maschine als Referenz angebracht.
3. Variable Geschwindigkeitsregelung ermöglicht bequeme Auswahl von Geschwindigkeiten. (Diese Maschine ist mit einem standardmäßigen 2-Geschwindigkeiten-Motor ausgestattet. Jedoch kann sie auch optional mit variabler Geschwindigkeit bestellt werden).
4. Diese Maschine ist zum manuellen Sägen geeignet. Der Arbeitshub erfolgt durch manuelles Herunterziehen des Sägebogens. Starttaste (Drucktaste) befindet sich am Griff des Sägebogens. Motor stoppt, sobald die Taste freigelassen wird.
5. Die Maschine ist stabil mit der Arbeitstischhöhe 950 mm, ergonomisch konform.
6. Das 1-Zoll-Sägeblatt und Hartmetallführungen bieten beste Ergebnisse für die Schnittfläche und Effizienz.
7. Das Gestell ist als einteiliges Gussteil ausgeführt. Zusammen mit der CNC-Steuerung gewährleistet das Gestell bessere Steifigkeit und Präzision der Maschine.
8. Die einteilige und vollständige Sägeblattabdeckung ist konform mit den CE-Anforderungen. Gut konzipiertes System zur Ansammlung der Kühlfüssigkeit bietet sauberen, trockenen und sicheren Arbeitsbereich.
9. Spänewanne unter dem Arbeitstisch verhindert Leckagen der Kühlfüssigkeit und behält trockenen Boden.
10. Kühlmittel für die Bearbeitung,, Wasser : Öl = 40 : 1 nach Öl-Spezifikation.

## 5. TRANSPORT UND INSTALLATION:

### 5-1. Auspacken

1. Zum Transportieren an gewünschten Ort vor dem Auspacken mit dem Wagenheber. (Abb. B)
2. Transport nach dem Auspacken mit dem Wagenheber und schweren Tragegurten.

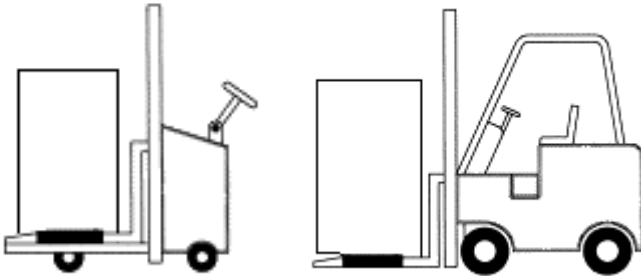


Abb. B

**BEIM TRANSPORT DER MASCHINE IMMER AUF ENTSPRECHENDE UNTERSTÜTZUNG UND GLEICHGEWICHT ACHTEN.**

### 5-2. TRANSPORT DER MASCHINE:

Da diese Maschine 320kg (705.4 lbs) wiegt, wird es empfohlen, sie mit einem Wagenheber zu transportieren.

#### Empfehlung zum Transport:

1. Alle Verbindungen vor dem Betrieb festziehen.
2. Beim Transport der Maschine **immer** auf entsprechende Unterstützung und Gleichgewicht achten und zum Heben nur schwere Tragegurte verwenden, wie in Abb. A dargestellt.
3. Bevor Sie Maschine anschließen, die Stromversorgung ausschalten und für geeignete Erdung sorgen. Es werden für höhere Sicherheit Überlast- und Leistungsschalter empfohlen.
4. Nachdem die Maschine ausbalanciert ist, 4 Schrauben durch die Grundlöcher festziehen.
5. Vorsichtig prüfen, ob das Sägeblatt läuft in Richtung gegen dem Uhrzeigersinn und falls nicht, die Phasen laut Schaltplan umpolen. Danach erneut prüfen.
6. Die Maschine immer von Sonne, Staub, Nässe und Regen fernhalten.

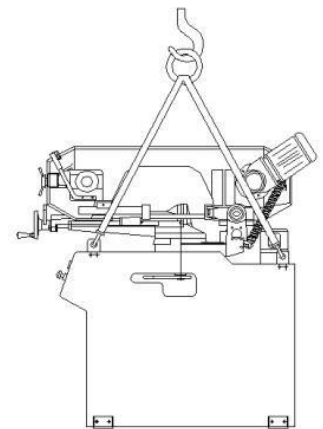


Abb. A

### 5-3. Installation:

- (1) Beim Transport dieser Maschine (320 kg) immer auf entsprechende Unterstützung und Gleichgewicht achten. Zum Anheben der Maschine immer schwere Tragegurte benutzen, als in Abb. B dargestellt.
- (2) Heben Sie die Maschine und montieren Sie 4 Unterlagen auf dem Hilfsstand. Befestigen Sie die Maschine auf den Hilfsstand und sichern Sie die Muttern.
- (3) Nachdem entfernen Sie die Holzkiste von der Maschine. Schrauben Sie die Maschine von der Kiste ab.
- (4) Nachdem die Maschine ausbalanciert ist, legen Sie die 4 Schrauben ein und ziehen Sie sie fest.
- (5) Bevor Sie Maschine anschließen, die Stromversorgung ausschalten und für geeignete Erdung sorgen. Es werden für höhere Sicherheit Überlast- und Leistungsschalter empfohlen.
- (6) Die Maschine immer von Sonne, Staub, Nässe und Regen fernhalten.

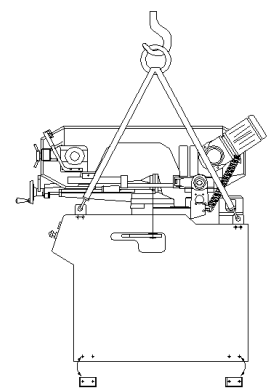


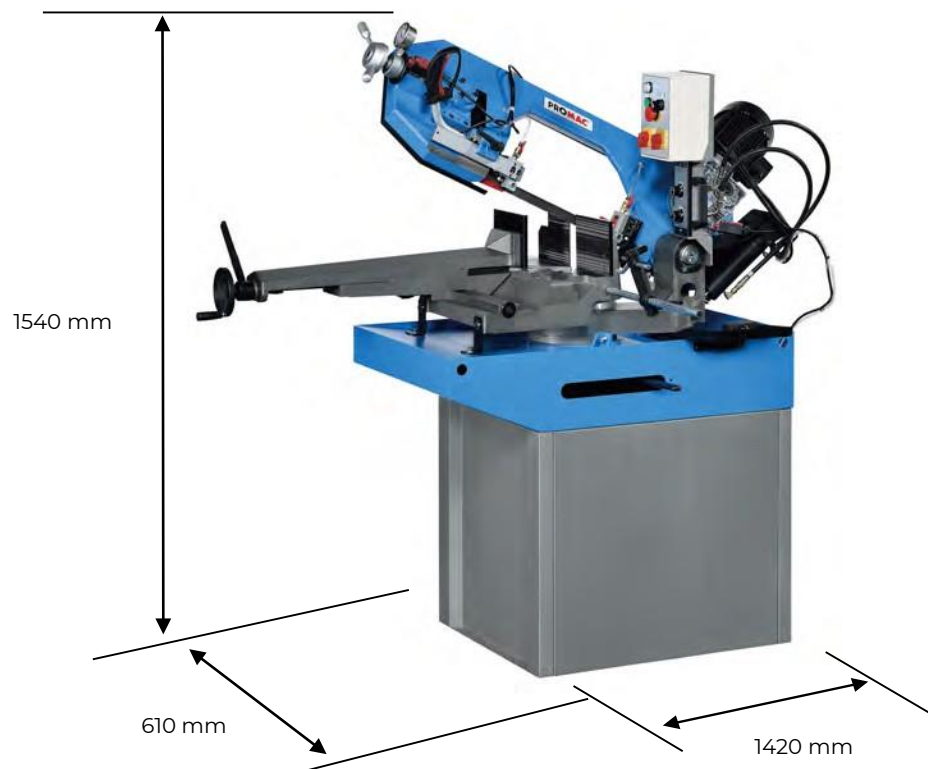
Abb. B

B

#### 5-4. REINIGEN UND SCHMIEREN

- (1) Ihre Maschine wurde zum Schutz beim Transport mit schwerem Schmierfett beschichtet. Diese Beschichtung sollte vollständig entfernt werden, bevor die Maschine betrieben wird. Zum Entfernen des Schmierfetts verwenden Sie kommerzielle Fettlöser, Benzin oder ähnliche Lösungsmittel, achten Sie aber, dass die Lösungsmittel nicht in Kontakt mit Riemen oder Gummiteilen kommen.
- (2) Nach dem Reinigen schmieren Sie alle blanke Teile mit leichtem Schmiermittel. Schmieren Sie alle Punkte mit Maschinenöl mittlerer Konsistenz.

#### 6. MINIMALER PLATZBEDARF FÜR DEN BETRIEB DER MASCHINE



## 7. DIE RICHTIGE AUSWAHL DER VERZÄHNUNG

Für maximale Schneidleistung und niedrigste Kosten pro Schnitt ist es wichtig, das Sägeblatt mit der richtigen Anzahl der Zähne pro Zoll (TPI) für das bearbeitete Material auszuwählen. Die Materialgröße und Form beeinflussen die Auswahl.

### AUSWAHL DER VERZÄHNUNG

Sie müssen beachten:

**Die Schnittbreite** - das ist der Weg, welchen jeder Zahn zwischen dem Eintrittspunkt in das Werkstück bis zum Ausgangspunkt aus dem Werkstück fahren muss, und

1. Die Form des Werkstücks.

#### Quadrate, Rechtecke, Flachprofile (Symbol: ■)

Suchen Sie die Schnittbreite auf der Tabelle. (Zoll auf dem äußeren Kreis und Millimeter auf dem inneren Kreis).

Wählen Sie die Zahnteilung auf dem markierten Ring mit der quadratischen Form, die mit der Schnittbreite ausgerichtet ist. BEISPIEL: 6" (150 mm) Quadrat, 2/3 Vari- Tooth benutzen.

#### Runde Profile (Symbol: ●)

Suchen Sie den Durchmesser auf der Tabelle. Wählen Sie die Zahnteilung auf dem markierten Ring mit dem runden Symbol, die mit der Schnittbreite ausgerichtet ist. BEISPIEL: 4" (100 mm) Rund, 3/4 Vari- Tooth benutzen.

**Hohlprofile, Rohre, Bauprofile (Symbol: O H ^ )** Bestimmen Sie die durchschnittliche Schnittbreite indem Sie den Flächeninhalt des Werkstücks mit dem Weg, welchen jeder Zahn durchqueren muss, teilen. Suchen Sie die durchschnittliche Schnittbreite auf der Tabelle. Wählen Sie die Zahnteilung auf dem markierten Ring mit dem Symbol für Profile und Rohre, die mit der Schnittbreite ausgerichtet ist.

BEISPIEL: Rohr 4"(100 mm) Außendurchmesser, 3"(75 mm) Innendurchmesser.

4"(100 mm) AD = 12.5 sq.in. (79 cm<sup>2</sup>)

3"(75 mm) ID = 7.0 sq.in. (44cm<sup>2</sup>)

---

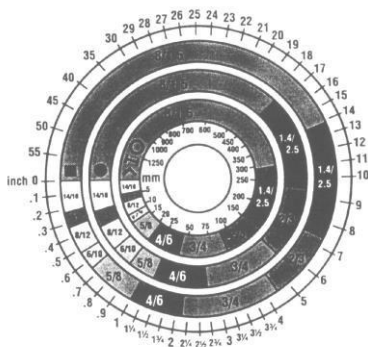
Flächeninhalt = 5.5 sq.in. (35cm<sup>2</sup>)

5.5 sq.in. (35cm<sup>2</sup>) / 4" (100mm) Weg

= 1,38" (35 mm) durchschnittliche Breite

1.38" (35 mm), 4/6 Vari-Tooth benutzen

**HINWEIS:** Die in dieser Tabelle empfohlene Sägeblattgeschwindigkeit und Schnittgeschwindigkeit sind Richtwerte, die als Ausgangspunkt für die meisten Anwendungen verwendet werden. Für genaue Bearbeitungsparameter konsultieren Sie sich mit Ihrem Lieferanten für Sägeblätter.





## 8. BI-Metall-Geschwindigkeiten und Vorschub

Diese Zahlen sind Richtwerte für die Bearbeitung von 4" (100 mm) Material (mit 314 Vari-Tooth) bei Verwendung von Kühlschmierstoff. Sägeblattgeschwindigkeit erhöhen:

15% beim Sägen von 1/4" (6,4 mm) Material (10/14 Vari-Tooth)

12% beim Sägen von 3/4" (19 mm) Material (6/10 Vari-Tooth)

10% beim Sägen von 1-1/4" (32 mm) Material (5/8 Vari-Tooth)

5% beim Sägen von 2-1/2" (64 mm) Material (4/6 Vari-Tooth)

Sägeblattgeschwindigkeit verringern: 12% beim Sägen von 8" (200mm) Material (2/3 Vari-Tooth)

MATERIAL	LEGIERUNG ASTM Nr.	Sägeblattgeschwindigkeit	
		FT./MIN	m/min
Kupfer- legierung	173, 932	314	96
	330, 365	284	87
	623, 624	264	81
	230, 260, 272	244	74
	280, 264, 632, 655	244	74
	101, 102, 110, 122, 172	234	71
	1751, 182, 220, 510	234	71
	625, 706, 715, 934	234	71
	630	229	70
	811	214	65
Kohlenstoff- stahl	1117	339	103
	1137	289	88
	1141, 1144	279	85
	1141 HI STRESS	279	85
	1030	329	100
Kohlenstoff- stahl	1008, 1015, 1020, 1025	319	97
	1035	309	94
	1018, 1021, 1022	299	91
	1026, 1513	299	91
	A36 (Profile), 1040	269	82
	1042, 1541	249	76
	1044, 1045	219	67
	1060	199	61
Ni-Cr-Mo legierter Stahl	8615, 8620, 8622	239	73
	4340, E4340, 8630	219	67
	8640	199	61
	E9310	174	53
	A-6	199	61

MATERIAL	LEGIERUNG ASTM Nr.	Sägeblattgeschwindigkeit	
		FT./MIN	m/min
Werkzeugs- stahl	A-2	179	55
	A-10	159	49
	D-2	90	27
	H-11, H-12, H-13	189	58
Rostfreier Stahl	420	189	58
	430	149	46
	410, 502	140	43
	414	115	35
	431	95	29
	440C	80	24
	304, 324	120	36
	304L	115	35
	347	110	33
	316, 316L	100	30
	416	189	58

### SPÄNE

Die Späne sind die besten Indikatoren für die richtige Vorschubkraft. Beobachten Sie die Späne und passen Sie den Vorschub entsprechend an.

Düne oder pulverförmige Späne -  
Vorschub erhöhen oder  
Sägeblattgeschwindigkeit

verringern. Verbrannte  
schwere Späne -  
Vorschub und/oder  
Sägeblattgeschwindigkeit  
verringern.

Gelockte silberne und  
warme Späne - optimaler  
Vorschub und  
Sägeblattgeschwindigkeit.



## 9. VERWENDUNG DER WICHTIGSTEN MASCHINENTEILE

### 9-1. STROMVERSORUNG UND BEDIENFELD

Ihre Bandsäge arbeitet entweder mit einphasigem Strom bei 230 Volt oder mit 3-phasigem Strom mit 400 Volt. Wenn Sie Ihre Maschine auf die Stromversorgung anschließen, überprüfen Sie die Drehrichtung des Elektromotors.

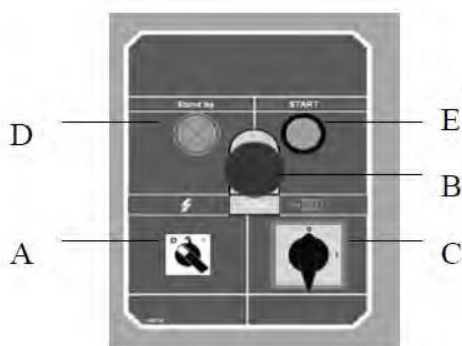
Wir empfehlen für alle Maschinen, unabhängig von deren elektrischer Nennleistung, Kabel mit Querschnitt 1,5 mm<sup>2</sup> zu verwenden, abgesichert mit 10 Ampere, dual Element Sicherung mit Verzögerung.

Für Anweisungen über Stromanschluss sehen Sie den Schaltplan, der mit Ihrer Maschine mitgeliefert war. Wenn die Umlenkrollenabdeckung während der Reparatur geöffnet wird, muss die Stromversorgung abgetrennt werden.

Bitte die Laufrichtung des Sägeblattes überprüfen.. Falls das Sägeblatt sich in falsche Richtung bewegt, das Kabel umpolen.

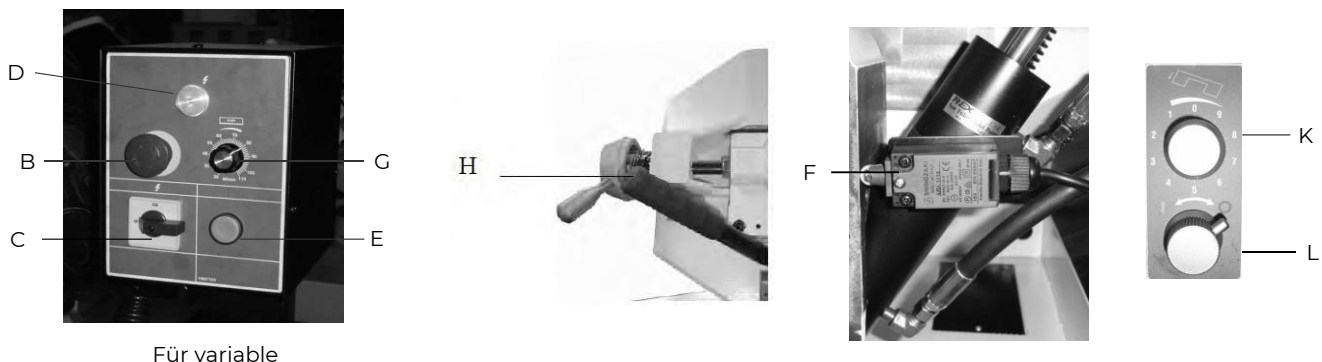
#### 9-2-1. Die Maschine starten und stoppen (Hidrauliksystem)

1. Wenn die Stromversorgung angeschlossen ist, leuchtet die Lampe (D).
2. Heben Sie den Bügel hoch.
3. Während im Betrieb drehen Sie (L) nach rechts, um das Ventil zu schließen.
4. Drehen Sie (K) um die Bewegung des Bügels und die Hubgeschwindigkeit nach unten durch die Einstellung des Hydraulikventils zu steuern.
5. Bei laufendem Motor drehen Sie (K) nach rechts und der Bügel wird automatisch nach unten gehen und die Bandsäge wird anfangen, das Werkstück zu schneiden. Wenn der Schnitt beendet ist, drücken Sie den Knopf (E), um die Maschine zu stoppen, der Bügel geht automatisch in die obere Stellung. Schließen Sie (L) um den Schneidevorgang zurückzusetzen.
6. Starten Sie den Motor, indem Sie die Taste Start (C) drehen, drücken Sie die Taste (E) zum Starten der Bandsäge.
7. Drehen Sie (A) (0-geschlossen, 1-offen), um das Kühlsystem zu öffnen.
8. Drehen Sie (G), um zwischen hoher und niedriger Geschwindigkeit zu wählen.
9. Wenn sich das Sägeblatt dem Werkstück nähert oder wenn der Schnitt abgeschlossen ist, schaltet das Kühlsystem ab.
10. Drücken Sie die Notfall-Taste (B) für die Abschaltung des Motors bei Notfall-Situationen.
11. Der Motor schaltet aus, wenn der Bügel den Endschalter (F) betätigt.
12. Das Kühlsystem schaltet ein und aus zusammen mit dem Betrieb der Bandsäge.
- 13 Dieser Griff (H) mit seinem Schalter wird nicht eingebaut, wenn Ihre Maschine hydraulisch betrieben wird.  
Zum Starten des Sägevorgangs betätigen Sie die START-Taste auf dem Bedienfeld.



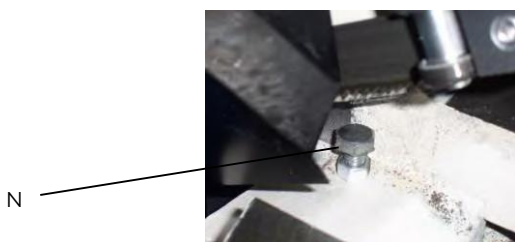
### 9-2-2. FÜR VARIABLE GESCHWINDIGKEIT

14. Wenn die Stromversorgung angeschlossen ist, leuchtet die Lampe (D).
15. Heben Sie den Bügel hoch.
16. Während im Betrieb drehen Sie (L) nach rechts, um das Ventil zu schließen.
17. Drehen Sie (K) um die Bewegung des Bügels und die Hubgeschwindigkeit nach unten durch die Einstellung des Hydraulikventils zu steuern.
18. Bei laufendem Motor drehen Sie (K) nach rechts und der Bügel wird automatisch nach unten gehen und die Bandsäge wird anfangen, das Werkstück zu schneiden. Wenn der Schnitt beendet ist, drücken Sie den Knopf (E), um die Maschine zu stoppen, der Bügel geht automatisch in die obere Stellung. Schließen Sie (L) um den Schneidevorgang zurückzusetzen.
19. Starten Sie den Motor, indem Sie die Taste Start (C) drehen, drücken Sie die Taste (E) zum Starten der Bandsäge.
20. Das Kühlsystem schaltet ein zusammen mit dem Betrieb der Bandsäge. Das Kühlsystem schaltet aus, wenn der Schnitt beendet ist.
21. Drehen Sie (G) zum Einstellen der Schnittgeschwindigkeit. (Bitte entnehmen Sie die empfohlenen Geschwindigkeiten aus dem Handbuch). Wenn sich das Sägeblatt dem Werkstück nähert oder wenn der Schnitt abgeschlossen ist, schalten Sie das Kühlsystem ab (A).
22. Drücken Sie die Notfall-Taste (B) für die Abschaltung des Motors bei Notfall-Situationen.
23. Der Motor schaltet aus, wenn der Bügel den Endschalter (F) betätigt.
24. Das Kühlsystem schaltet ein und aus zusammen mit dem Betrieb der Bandsäge.
25. Dieser Griff (H) mit seinem Schalter wird nicht eingebaut, wenn Ihre Maschine hydraulisch betrieben wird. Zum Starten des Sägevorgangs betätigen Sie die START-Taste auf dem Bedienfeld.



### 9-3. OBEREN UND UNTEREN ENDPUNKT DER BANDSÄGE EINSTELLEN

Der untere Endpunkt der Bandsäge sollte so eingestellt werden, dass die Zähne der Bandsäge die Tischoberfläche nicht berühren. Um den Abstand zwischen Säge und Tischoberfläche wird die Anschlagsschraube (N) verwendet. Nachdem der Abstand eingestellt ist, die Gegenmutter festziehen.



#### 9-4. SÄGEBLATTSPANNUNG UND -FÜHRUNG EINSTELLEN

Um die Sägeblattspannung einzustellen, drehen Sie den Hebel A (Abb. 1) im Uhrzeigersinn. Die Skala zeigt die Sägeblattspannung von 20.000, 30.000 und 35.000 Pfund pro Quadratzoll (psi) an.

Bei Sägeblättern aus Kohlenstoffstahl sollte die Spannung 20.000 psi betragen. Bei Bimetallsägeblättern (ähnlich dem mitgelieferten Sägeblatt) soll die Spannung zwischen 30.000 und 35.000 psi liegen. Um die Lebensdauer des Sägeblattes zu verlängern, am Ende jedes Arbeitstages das Sägeblatt entspannen. Bevor Sie die Sägeblattführung einstellen, prüfen Sie, ob die Sägeblattspannung richtig eingestellt ist. Das Sägeblatt läuft richtig, wenn die Rückseite des Sägeblattes beim Betrieb die beide Führungsrollen leicht berührt.

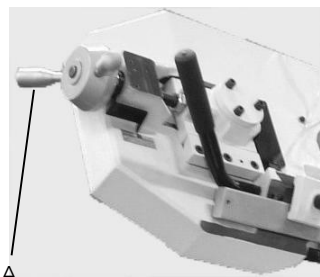


Abb. 1

#### 9-5. SCHNITTBREITE EINSTELLEN

Zuerst die Schraube (A) lösen (Abb. 2). Linke Führung an die passende Position verschieben. Dann die Schraube (A) festziehen.



Abb. 2

#### 9-6. FÜHRUNGSROLLEN, HARTMETALLFÜHRUNGEN UND STÜTZROLLEN EINSTELLEN UND DIE SPÄNE ENTFERNEN

Bevor Sie die folgenden Einstellungen vornehmen, stellen Sie sicher, dass das Sägeblatt ordnungsgemäß geführt und gespannt ist.

1. Die Rückseite des Sägeblattes (A) (Abb.3) sollte den Anschlag (B) berühren. Um die Einstellung vorzunehmen, lösen Sie die Stellschraube (C) und verschieben Sie die Führungsleiste (D) nach oben oder nach unten, bis der Anschlag leicht die Rückseite des Sägeblattes berührt.
2. Das Sägeblatt (A) sollte auch zwischen den zwei Führungsrollen verlaufen und sie leicht berühren (E) und (F), (Abb. 9). Das vordere Lager (E) (Abb. 9) ist montiert exzentrisch und kann der Stärke des Sägeblattes einfach angepasst werden durch Lösen der Stellschraube (G) Drehen der Welle (E).
3. Die Hartmetallführungen (H) (Abb. 9) sollten ebenfalls angepasst werden, damit sie das Sägeblatt leicht berühren, durch Lösen der Schraube (K).
4. Die Führungsrollen, Hartmetallführungen und der Anschlag auf der Leiste (Abb. 9) sollten auf die gleiche Weise eingestellt werden.
5. Die Späne entfernen Sie von dem Sägeblatt mit einer Stahlbürste.

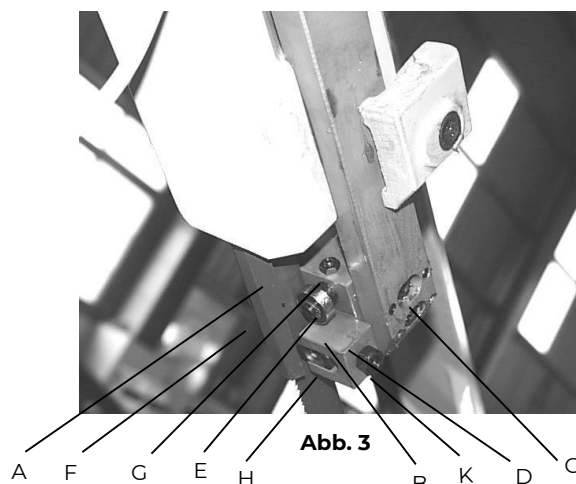


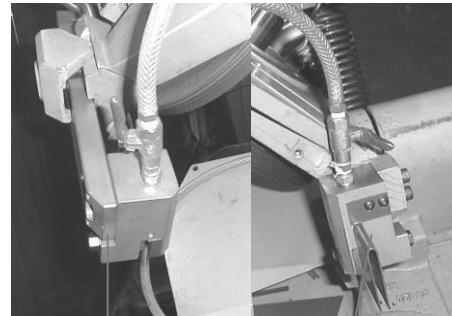
Abb. 3

### 9-7. KÜ HLSYSTEM

Die Verwendung des richtigen Kühlmittels ist wesentlich für maximale Effizienz der Bandsäge. Die wichtigste Ursache für die Abnutzung des Sägeblattes ist übermäßige Wärmeentwicklung. Aus diesem Grund ist das Kühlmittel wesentlich für lange Lebensdauer des Sägeblattes und hohe Schnittgeschwindigkeiten. Schneidbereich und Führungsrollen sollten immer sauber gehalten werden.

Der Kühlmitteldurchfluss wird durch das Sperrventil (A) (Abb. 4) gesteuert, das das Kühlmittel auf das Sägeblatt leitet. Der Hebel (A) ist in Stellung "AUS" dargestellt.

**Halten Sie den Boden immer trocken, um Verrutschen und**



**Abb. 4**

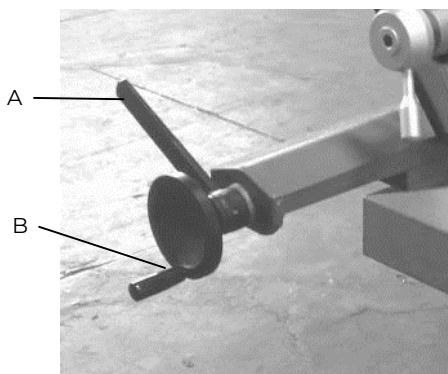
### 9-8. ANWEISUNGEN ZUR BENUTZUNG VOM SCHRAUBSTOCK

Um den Schraubstock zu bedienen, gehen Sie wie folgt vor:

- 1) Heben Sie den Bügel 50 mm über das Werkstück. Schließen Sie das Hydraulikventil, damit der Bügel 50 mm über dem Werkstück bleibt.
- 2) Stellen Sie ihr Werkstück auf den Tisch. Bewegen Sie den Handgriff (A) nach oben unter 45 Grad (halb geöffnet), um den Schraubstock zu lösen. Verschieben Sie die Schraubstockbacke gegen das Werkstück, indem Sie das Handrad drehen (B). Drücken Sie den Hebel (A) nach unten und verriegeln Sie das Werkstück in seiner Position.
- 3) Um das Werkstück aus dem Schraubstock zu lösen, halten Sie das Werkstück und heben Sie den Schraubstockgriff (A) in 90°-Position (vollständig geöffnet). Entfernen Sie das Werkstück.

#### KONTINUIERLICHES SCHNEIDEN:

Wenn Sie ein Werkstück mehrmals schneiden wollen, heben Sie einfach den Schraubstockgriff (A), um den Schraubstock zu lösen und erneut das Werkstück zu positionieren. Danach drücken Sie den gleichen Griff nach unten, um das Werkstück einzuspannen. Sie können auch den Schraubstockgriff (A) zuerst nach unten drücken und dann den Schraubstock durch Drehen des Handrads (B) im Uhrzeigersinn einspannen. Nachdem der Schnitt beendet ist, können Sie das Werkstück einfach mit dem Handrad entspannen. Dieses Schraubstocksystem hat 4 mm Hub, wenn das Handrad vollständig geöffnet ist. Für herkömmliche metallische Werkstücke ist nur 2mm Hub erforderlich. Der Bediener kann das Werkstück einspannen, indem er den Schraubstockgriff (A) mit gewissem Druck (je nach Härte des Werkstücks) hinunterdrückt.



**Abb. 5**

### 9-9. VARIABLE SCHNITTWINKEL EINSTELLUNG

Bitte gehen Sie wie folgt vor, um den gewünschten Schnittwinkel einzustellen. Der Schwenkbereich ist von 0° bis 60° im Uhrzeigersinn. Bevor Sie die Grundplatte schwenken, stellen Sie sicher, dass der Bügelsäge nichts im Wege steht.

1. Ziehen Sie die Stange (A) (Abb. 6) heraus und halten Sie sie.
2. Um die Bügelsäge in die richtige Position zu bringen, schwenken Sie die Stange. Mit der Winkelskala auf (B) den Winkel einstellen.
3. Verriegeln Sie die Stange (A) und starten Sie anschließend mit dem Sägen.



Abb. 6

A

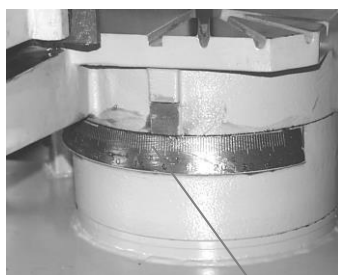


Abb. 7

B

### 9-10. DAS SÄGEBLATT AUS- UND EINBAUEN

Wenn es notwendig ist, das Sägeblatt zu wechseln, gehen Sie wie folgt vor:

1. Heben Sie den Sägebügel um ungefähr 75 mm und drehen Sie den Knopf für Vorschub im Uhrzeigersinn bis zum Anschlag (Abb. 8).
2. Schieben Sie die Sägeblattführung nach rechts (Abb. 9).
3. Trennen Sie das Gerät von der Stromversorgung. Lösen Sie die Schraube an der Abdeckung, die Abdeckung (A) entfernen, Abdeckung (B) öffnen, Abdeckung (C) entfernen, dann reinigen Sie die Späne und Schmutz aus Inneren der Maschine.
4. Entspannen Sie das Sägeblatt (F) (Abb. 9), indem Sie das Handrad für die Blattspannung nach links drehen.
5. Entfernen Sie das Sägeblatt aus beiden Rollen und aus jeder Sägeblattführung. Entnehmen Sie das Sägeblatt aus der Seite (B). Wenn das Sägeblatt völlig frei ist, entnehmen Sie es aus der Seite (A).
6. Darauf achten, dass die Zähne des neuen Sägeblattes in die richtige Richtung stehen. Wenn erforderlich, das Sägeblatt umdrehen.
7. Setzen Sie das neue Sägeblatt auf die Rollen und in die Führungen und stellen Sie die Sägeblattspannung und Führungen ein.



Abb. 8

A

B

Abb. 9

C

F

## 9-11. SCHRAUBSTOCKPOSITION EINSTELLEN

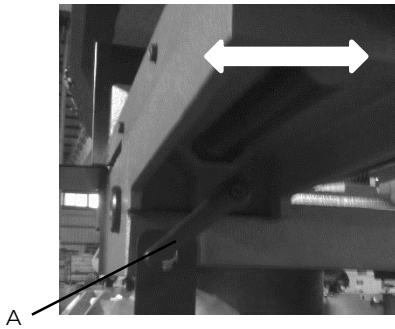
Bewegung des Schraubstocks: (LINKS, RECHTS)

Der Schraubstock und der Bügel sind als drehbare Ausführung konzipiert.

Der Schraubstock kann nach links und rechts verschoben werden. Bevor Sie den Schraubstock verschieben, den Griff (A) nach links drehen, um die Sperre zu lösen, danach den Schraubstock an die richtige Position verschieben.

Verriegeln Sie den Schraubstock wieder, indem Sie den Hebel (A) nach rechts drehen.

**HINWEIS:** Bitte achten Sie darauf, dass sich der Schraubstock und der Bogen nicht berühren dürfen.



## 10. WARTUNG

Es ist einfacher, die Maschine mit ständiger Wartung in gutem Zustand zu halten, als sie zu reparieren.

(1) Tägliche Wartungsarbeiten (durch den Bediener)

- (a) Jeden Tag vor dem Arbeitsbeginn das Schmiermittel nachfüllen.
- (b) Wenn die Temperatur der Spindel zu hoch wird oder die Spindel seltsame Geräusche verursacht, die Maschine sofort anhalten.
- (c) Arbeitsbereich sauber halten. Den Schraubstock und das Werkstück von dem Tisch entnehmen. Stromversorgung abschalten. Späne und Staub reinigen. Die Maschine nach dem Schmierplan schmieren und mit Öl blanke Bereiche vor Korrosion schützen.

(2) Wöchentliche Wartungsarbeiten

- (a) Schraubstockspindel reinigen und mit Öl schmieren.
- (b) Alle Gleitflächen und drehende Teile auf die Anwesenheit vom Schmiermittel prüfen. Wenn es zu wenig Schmiermittel gibt, nachschmieren.

(3) Monatliche Wartungsarbeiten

- (a) Prüfen Sie, ob fixierte Teile gut befestigt sind.
- (b) Alle Lager und Wellen schmieren, um den Verschleiß zu vermeiden.

(4) Jährliche Wartungsarbeiten

- (a) Die horizontale Lage des Arbeitstisches prüfen und ggf. korrigieren, um die Genauigkeit zu bewahren.
- (b) Elektrische Kabel, Stecker und Schalter auf Verschleiß und Beschädigungen prüfen.

## 11. FEHLERBEHEBUNG

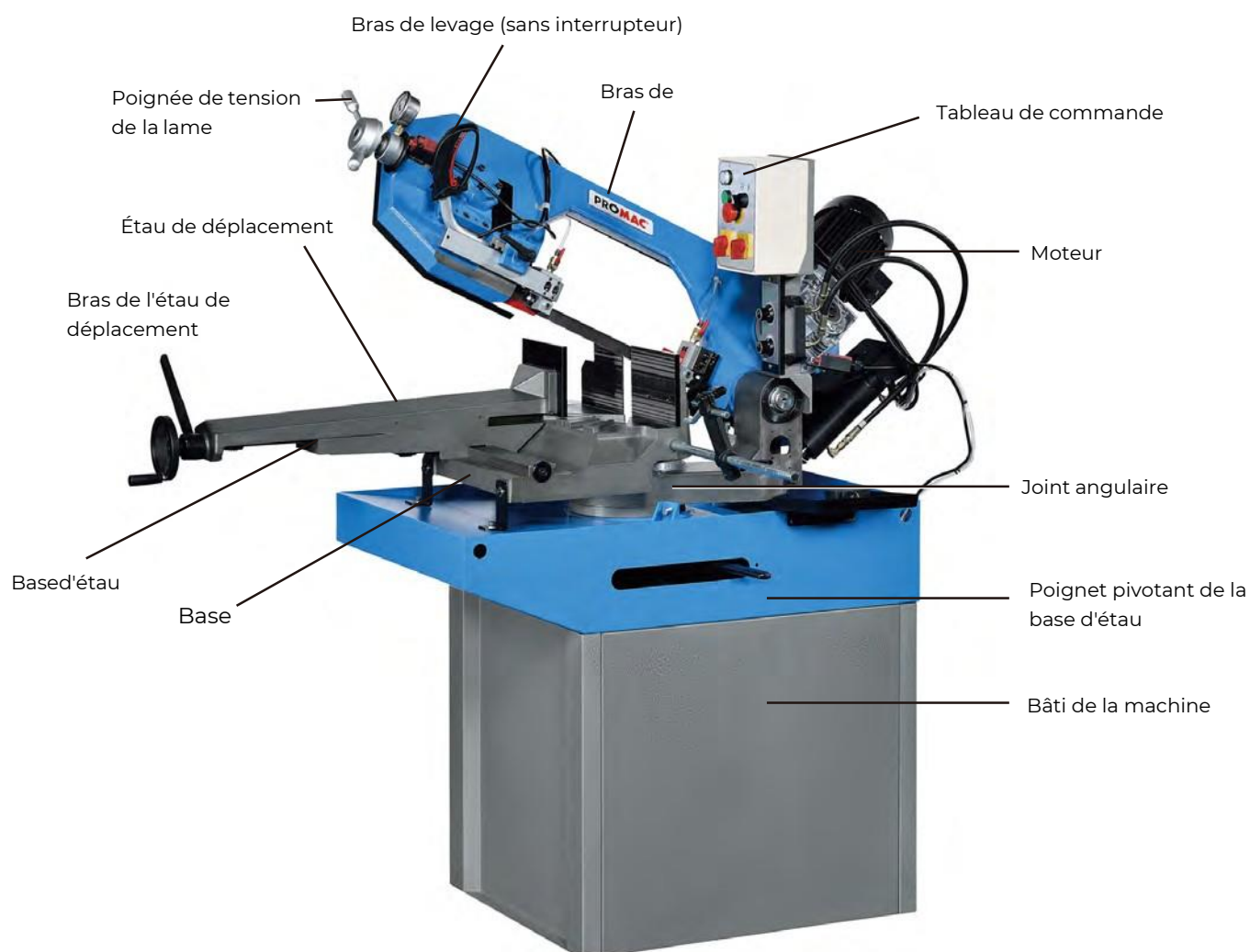
Symptom	Mögliche Ursache(n)	Korrekturmaßnahmen
Die Maschine kann nicht gestartet werden.	<ol style="list-style-type: none"> <li>1. Die Stromversorgung ist nicht angeschlossen; die Betriebsanzeige auf dem Bedienfeld leuchtet nicht.</li> <li>2. Motor kann nicht gestartet werden. Endschalter angefahren.</li> <li>3. Einschalttaste kann nicht normal betrieben werden.</li> </ol>	<ol style="list-style-type: none"> <li>1. Prüfen Sie die Technische Daten des Motors. Die Stromversorgung mit den richtigen Stromwerten anschließen. Stellen Sie sicher, dass die Betriebsanzeige leuchtet.</li> <li>2. Stellen Sie sicher, dass sich die Abdeckung in der richtigen Position befindet.</li> <li>3. Drücken Sie die NOT-AUS-Taste und bringen Sie sie wieder in die Ausgangsposition. Lösen Sie dann den Notausschalter.</li> </ol>
Übermäßiger Bruch der Sägezähne	<ol style="list-style-type: none"> <li>1. Materialien nicht im Schraubstock eingespannt.</li> <li>2. Falsche Geschwindigkeit oder Vorschub.</li> <li>3. Abstand zwischen den Sägezähnen zu groß</li> <li>4. Material zu grob</li> <li>5. Falsche Sägeblattspannung</li> <li>6. Zähne in Kontakt mit Material, bevor die Säge gestartet war</li> <li>7. Sägeblatt reibt am Radflansch</li> <li>8. Verstellte Führungsrollen</li> <li>9. Sägeblatt zu dick</li> <li>10. Risse an der Schweißnaht</li> </ol>	<ol style="list-style-type: none"> <li>1. Das Werkstück ordnungsgemäß befestigen</li> <li>2. Die Geschwindigkeit oder den Vorschub anpassen</li> <li>3. Das Sägeblatt mit einem mit kleinerem Abstand zwischen den Sägezähnen ersetzen</li> <li>4. Verwenden Sie ein Sägeblatt, geeignet für niedrige Geschwindigkeit und mit geringem Abstand zwischen den Zähnen</li> <li>5. Die Sägeblattspannung so einstellen, dass keinen Schlupf mehr gibt</li> <li>6. Das Sägeblatt darf in Kontakt mit dem Werkstück kommen, erst wenn der Motor eingeschaltet ist</li> <li>7. Sägeblattrollen verstellen</li> <li>8. Führungsrollen verstellen</li> <li>9. Dünneres Sägeblatt verwenden</li> <li>10. Das Sägeblatt reparieren (schweißen)</li> </ol>
Vorzeitige Abstumpfung	<ol style="list-style-type: none"> <li>1. Zähne zu grob</li> <li>2. Geschwindigkeit zu hoch</li> <li>3. Unzureichende Vorschubkraft</li> <li>4. Harte Stellen im Material oder Zunder auf der Materialoberfläche</li> <li>5. Kaltverfestigung des Materials</li> <li>6. Verwinden des Sägeblattes</li> <li>7. Unzureichende Sägeblattspannung</li> <li>8. Sägeblatt schlüpft</li> </ol>	<ol style="list-style-type: none"> <li>1. Verwenden Sie ein Sägeblatt mit feineren Zähnen</li> <li>2. Geschwindigkeit verringern</li> <li>3. Verringern Sie die Federspannung</li> <li>4. Geschwindigkeit verringern, Vorschubkraft erhöhen</li> <li>5. Vorschubkraft erhöhen durch Reduzierung der Federkraft</li> <li>6. Neues Sägeblatt einsetzen und die Sägeblattspannung anpassen</li> <li>7. Sägeblattspannung erhöhen</li> <li>8. Sägeblattspannung erhöhen</li> </ol>
Ungewöhnliche Abnutzung an der Seite oder Rückseite des Sägeblattes	<ol style="list-style-type: none"> <li>1. Führungen abgenutzt</li> <li>2. Führungsrollen nicht richtig eingestellt</li> <li>3. Führungsrollenhalterung ist lose</li> </ol>	<ol style="list-style-type: none"> <li>1. Ersetzen</li> <li>2. Einstellen gemäß Betriebsanleitung</li> <li>3. Festziehen</li> </ol>



Zähne brechen ab	<ol style="list-style-type: none"> <li>1. Sägeblatt zu grob für die Bearbeitung</li> <li>2. Zu hohe Druckkraft, Geschwindigkeit zu niedrig</li> <li>3. Werkstück vibriert</li> <li>4. Raum zwischen den Zähnen gefüllt</li> </ol>	<ol style="list-style-type: none"> <li>1. Feineres Sägeblatt verwenden</li> <li>2. Druckkraft verringern, Geschwindigkeit erhöhen</li> <li>3. Das Werkstück ordnungsgemäß befestigen</li> <li>4. Verwenden Sie gröberes Sägeblatt oder entfernen Sie die Späne mit einer Bürste</li> </ol>
Motor zu heiß	<ol style="list-style-type: none"> <li>1. Sägeblattspannung zu hoch</li> <li>2. Antriebsriemenspannung zu hoch</li> <li>3. Sägeblatt zu grob für die Bearbeitung</li> <li>4. Sägeblatt zu fein für die Bearbeitung</li> <li>5. Zahnräder falsch ausgerichtet</li> <li>6. Die Zahnräder müssen geschmiert werden</li> <li>7. Das Sägeblatt klemmt in dem Schnitt</li> </ol>	<ol style="list-style-type: none"> <li>1. Sägeblattspannung verringern</li> <li>2. Spannung des Antriebsriemens verringern</li> <li>3. Feineres Sägeblatt verwenden</li> <li>4. Gröberes Sägeblatt verwenden</li> <li>5. Zahnräder einstellen, damit die Schnecke mittig steht</li> <li>6. Ölschmierung prüfen</li> <li>7. Vorschubgeschwindigkeit verringern</li> </ol>
Schlechte Schnitte (Schnitt schief)	<ol style="list-style-type: none"> <li>1. Vorschubkraft zu hoch</li> <li>2. Führungsrollen nicht richtig eingestellt</li> <li>3. Unzureichende Sägeblattspannung</li> <li>4. Stumpfes Sägeblatt</li> <li>5. Falsche Geschwindigkeit</li> <li>6. Sägeblattführungen zu weit auseinander</li> <li>7. Sägeblattführungen-Baugruppe lose</li> <li>8. Sägeblatt läuft zu weit vom Rand der Flansch</li> </ol>	<ol style="list-style-type: none"> <li>1. Druck verringern durch Erhöhung der Federspannung an der Seite von Säge</li> <li>2. Die Führungsrollen einstellen, das Spiel darf nicht mehr als 0,001" (0,025 mm) sein</li> <li>3. Sägeblattspannung erhöhen</li> <li>4. Sägeblatt ersetzen</li> <li>5. Geschwindigkeit anpassen</li> <li>6. Führungen verstellen</li> <li>7. Festziehen</li> <li>8. Den Lauf des Sägeblattes nach Betriebsanleitung anpassen</li> </ol>
Schlechte Schnitte (Schnitt rau)	<ol style="list-style-type: none"> <li>1. Geschwindigkeit oder Vorschub zu hoch</li> <li>2. Sägeblatt zu grob</li> <li>3. Blattspannung zu niedrig</li> </ol>	<ol style="list-style-type: none"> <li>1. Die Geschwindigkeit oder den Vorschub verringern</li> <li>2. Feineres Sägeblatt benutzen</li> <li>3. Sägeblattspannung anpassen</li> </ol>
Sägeblatt verdreht sich	<ol style="list-style-type: none"> <li>1. Das Sägeblatt klemmt in dem Schnitt</li> <li>2. Sägeblattspannung zu hoch</li> </ol>	<ol style="list-style-type: none"> <li>1. Vorschubkraft verringern</li> <li>2. Sägeblattspannung verringern</li> </ol>
Die Bandsäge kann nicht durch die Betätigung der Taste angehoben werden	<ol style="list-style-type: none"> <li>1. Falsche Einstellung des Endschalters</li> </ol>	<ol style="list-style-type: none"> <li>1. Die NOT-HALT-Taste drücken und RESET-Taste betätigen</li> <li>2. Überprüfen Sie den oberen Endschalter und die Stopposition Stellen Sie sicher, dass der Endschalter immer unterhalb der Stopstange ist.</li> <li>3. Überprüfen Sie die Ölmenge, ob genügend Öl im System gibt.</li> <li>4. Prüfen Sie die Motor-Drehrichtung Stellen Sie sicher, dass die Drehrichtung im Uhrzeigersinn ist.</li> </ol>

## FR –FRANÇAIS

## 1. Aspect global



## AVERTISSEMENT : LA NON-OBSERVATION DE CES PRESCRIPTIONS PEUT OCCASIONNER DES BLESSURES CORPORELLES

Comme toutes machines, il y a des risques liés à la mise en marche et à l'utilisation de la machine. L'utilisation sérieuse et attentive de la machine va réduire considérablement la possibilité des blessures corporelles.

Toutefois, si les précautions d'usage normal sont négligées ou ignorées, l'opérateur peut en subir des blessures corporelles.

Cette machine ne doit être utilisée que pour certaines applications uniquement. Nous recommandons fortement que cette machine NE fasse l'objet d'une modification et/ou utilisation AUCUNE pour toutes applications autres que celles pour lesquelles elle a été conçue. Si vous avez des questions relatives à son application, NE PAS utiliser la machine jusqu'à ce que vous soyez en contact avec nous et que nous vous ayons conseillé.

**Votre machine peut ne pas venir avec une prise ou fiche d'alimentation. Avant d'utiliser cette machine, bien vouloir demander à son concessionnaire d'installer la prise ou la fiche sur l'extrémité du câble d'alimentation.**

## 2. RÈGLES DE SÉCURITÉ POUR TOUS LES OUTILS

### A. UTILISATEUR :

- (1). **PORTER DES VÊTEMENTS APPROPRIÉS.** Pas de vêtements amples, pas de gants, bagues, bracelets ou autres bijoux susceptibles de se coincer dans les pièces en mouvement. Il est recommandé de porter des chaussures antidérapantes. Porter un couvre-cheveux pour couvrir les cheveux longs.
- (2). **TOUJOURS PORTER DES LUNETTES DE PROTECTION.** Se référer à la norme ANSLZ87.1 pour y trouver les recommandations appropriées. Également porter un masque facial ou anti-poussière si l'opération de découpe produit de la poussière.
- (3). **NE PAS TROP SE PENCHER.** Maintenir ses pieds bien campés et un bon équilibre à tout moment.
- (4). **NE JAMAIS SE TENIR SUR UN OUTIL.** Des blessures graves pourraient survenir si l'outil bascule ou en cas de contact accidentel avec l'outil de découpe.
- (5). **NE JAMAIS LAISSER UN OUTIL EN MARCHÉ NON SURVEILLÉE. COUPER L'ALIMENTATION** Ne pas quitter l'outil jusqu'à ce qu'il s'arrête complètement.
- (6). **STUPÉFIANTS, ALCOOL, MÉDICAMENTS.** Ne pas utiliser d'outil sous l'influence des stupéfiants, de l'alcool ou de tout autre médicament.
- (7). **S'ASSURER QUE L'OUTIL EST DÉCONNECTÉ DE LA SOURCE D'ALIMENTATION ÉLECTRIQUE.** Pendant que le moteur est monté, connecté ou reconnecté.
- (8). **TOUJOURS** tenir les mains et les doigts éloignés de la lame.
- (9). **ARRÊTER** la machine avant de retirer les copeaux.
- (10). **COUPER** le courant et nettoyer la scie à ruban et l'aire de travail avant de quitter la machine.
- (11). NE PAS toucher la lame de découpe lorsque la machine est mise en marche.

### B. UTILISATION DE LA MACHINE :

- (1). **ENLEVER LES CLÉS DE RÉGLAGE ET DE SERRAGE.** Prendre l'habitude de vérifier que les clés et outils de réglage ont été enlevés de l'outil avant de le mettre « marche ».
- (2). **NE PAS FORCER L'OUTIL.** Il exécutera le travail mieux et de façon plus sécuritaire à la vitesse pour laquelle il a été conçu.
- (3). **UTILISER LE BON OUTIL.** Ne pas forcer l'outil ou l'accessoire à exécuter un travail pour lequel il n'a pas été conçu.
- (4). **TRAVAIL SÉCURISÉ.** Utiliser des serre-joints ou un étau pour maintenir l'ouvrage lorsqu'il est pratique de le faire. Cette pratique est plus sûre que d'utiliser sa main, et laisse les deux mains libres pour faire fonctionner l'outil.
- (5). **MAINTENIR LES OUTILS EN PARFAIT ÉTAT.** Maintenir les outils bien aiguisés et propres afin d'obtenir un rendement optimal et sécuritaire. Suivre les instructions de lubrification et de changement des accessoires.
- (6). **UTILISER LES ACCESSOIRES RECOMMANDÉS.** Pour les accessoires recommandés, consulter le manuel du propriétaire. L'utilisation des accessoires inadéquats peut générer des risques.
- (7). **ÉVITER LES DÉMARRAGES INTEMPESTIFS** S'assurer que le bouton électrique est en position « **ARRÊT** » avant de brancher un cordon d'alimentation.
- (8). **SENS DE L'ALIMENTATION** Engager la pièce dans une lame ou un découpeur suivant uniquement le sens de rotation opposé de la lame ou du découpeur.
- (9). **RÉGLER ET POSITIONNER** le bras de guidage de la lame avant de commencer la coupe.
- (10). **MAINTENIR SERRÉ LE BRAS DE GUIDAGE DE LA LAME.** Un bras de guidage de la lame desserré aura une incidence sur la précision du sciage.
- (11). **S'ASSURER** que la vitesse de la lame est correctement réglée pour le matériau à couper.
- (12). **VÉRIFIER** si la taille et le type de la lame sont adéquats.
- (13). **ARRÊTER** la machine avant de mettre le matériau dans l'étau.
- (14). **TOUJOURS** maintenir la pièce fermement serrée dans un étau avant de commencer la coupe.
- (15). **METTRE À LA TERRE TOUS LES OUTILS.** Si l'outil est équipé d'une fiche à trois broches, il doit être branché sur une prise électrique à trois fiches. Si un adaptateur est utilisé pour s'adapter à une prise bipolaire, la patte de l'adaptateur doit être fixée à une masse connue. Ne jamais retirer la troisième broche.

**C. AJUSTEMENTS :**

Couper le courant avant de PROCÉDER À tout ajustement. Afin d'obtenir la précision et les bonnes voies d'ajustement de la machine lors de l'assemblage, l'utilisateur doit lire les instructions détaillées contenues dans ce manuel.

**D. ENVIRONNEMENT DE TRAVAIL :**

- (1). **GARDER L'AIRE DE TRAVAIL PROPRE.** Les aires et établis encombrés sont propices aux accidents.
- (2). **NE PAS UTILISER DANS UN ENVIRONNEMENT DANGEREUX;** Ne pas utiliser d'outils électriques dans des endroits humides ou mouillés, ou les exposer à la pluie. Garder l'aire de travail bien éclairée.
- (3). **TENIR LES ENFANTS ET LES VISITEURS ÉLOIGNÉS.** Tous les enfants et visiteurs doivent être tenus à une distance sécuritaire de l'aire de travail.
- (4). **NE PAS** installer & utiliser cette machine dans un environnement explosif, dangereux.

**E. ENTRETIEN :**

- (1). **DÉBRANCHER** la machine de la source d'alimentation électrique lors des réparations.
- (2). **VÉRIFIER LES PIÈCES ENDOMMAGÉES.** Avant de réutiliser l'outil, contrôler avec soin tout capot de protection ou autre pièce endommagée pour s'assurer qu'il fonctionnera correctement et remplira sa fonction prévue. Vérifier l'alignement des pièces mobiles, le coincement des pièces mobiles, la rupture des pièces, la monture et toute autre condition susceptible d'affecter son fonctionnement. Un capot de protection ou autre pièce endommagée doit être correctement réparée ou remplacée.
- (3). **DÉBRANCHER LES OUTILS** avant l'entretien et lors du changement des accessoires tels que les lames, mèches, découpeurs, etc.
- (4). **S'ASSURER** que la tension de la lame et le pointage de la lame sont correctement réglés.
- (5). **RE-VÉRIFIER** la tension de la lame après la première coupe faite avec une lame nouvelle.
- (6). **POUR TOUJOURS PROLONGER LA VIE DE LAME,** relâcher la tension de la lame à la fin de chaque journée de travail.
- (7). **VÉRIFIER LE LIQUIDE DE REFROIDISSEMENT TOUS LES JOURS.** Un faible niveau de liquide de refroidissement peut entraîner la formation de mousse et une forte élévation des températures de la lame. Un liquide de refroidissement sale peut boucher la pompe, entraîner des débris, causer de la rouille, un faible taux de coupe et une défaillance permanente de la lame. Un liquide de refroidissement sale peut entraîner la croissance de bactéries avec une irritation de la peau qui s'ensuit.
- (8). **LORS DE LA DÉCOUPE DU MAGNÉSIUM, NE JAMAIS** utiliser d'huiles solubles ou d'émulsions (mélange eau-huile), étant donné que l'eau va intensifier considérablement toute ignition accidentelle des fragments du magnésium. Lors de la découpe du magnésium, consulter son fournisseur de liquide de refroidissement industriel pour obtenir des recommandations spécifiques relatives au liquide de refroidissement.
- (9). **ÉVITER** la corrosion des surfaces usinées lorsqu'un soluble est utilisé comme liquide de refroidissement. Faire particulièrement attention à l'essuyage au sec des surfaces où des fluides s'accumulent et ne s'évapore pas rapidement, comme entre le banc et l'étau de la machine.

**F. USAGE SPÉCIFIÉ :**

Cette machine est uniquement destinée à la coupe générale des métaux, conformément à sa capacité de coupe.

**G. BRUIT :**

Un niveau de pression acoustique pondéré : sous 80 dB.

**H. DISPOSITIF DE SÉCURITÉ :**

Interrupteur de verrouillage sur la zone de coupe - Dès que la couverture de la zone de coupe est ouverte, la machine va s'arrêter immédiatement à l'aide de la fonction de cet interrupteur. Ne pas retirer cet interrupteur de la machine pour quelque raison que ce soit, et vérifier régulièrement son fonctionnement.

## 3. SPÉCIFICATIONS

Vitesse variable 23~92 (50 HZ)/ 28~110 (60 HZ)

MOTEUR			1,5 CV (à 2 vitesses)
Vitesse de la lame de scie		(PI/MIN)	138/ 276 (60 Hz) ; 115/ 230 (50 Hz)
		MP-M	42/ 84 (60 Hz) ; 35/ 70 (50 Hz)
Taille de la lame (mm)		27 x 0,9 x 2450	
Dimension L x l x h (mm)		1350 x 700 x 1326	
Emballage	Poids net/ Poids brut (kg)		320 / 355
	Mesures		1490 x 790 x 987
Capacité de coupe	0°	○ (mm)	225
		□ (mm)	200 x 200
		▭ (mm)	240 x 160
	45°	○ (mm)	145
		□ (mm)	140 x 140
		▭ (mm)	145 x 115
	-60°	○ (mm)	90
		□ (mm)	85 x 85
		▭ (mm)	85 x 100
	-45°	○ (mm)	145
		□ (mm)	140 x 140
		▭ (mm)	145 x 100

#### 4. CARACTÉRISTIQUES :

1. Cette machine est utile à la coupe de l'acier normal, des tuyaux en acier et fournit un angle de coupe à  $+60^\circ$  et  $-45^\circ$  de la tête pivotante.
2. Un tableau de sélection des dents a été fourni sur la machine à titre de référence des coupes.
3. Commande de vitesse variable qui permettant de sélectionner les vitesses de façon confortable. (Cette machine est livrée avec un moteur standard à 2 vitesses. Mais elle peut être achetée avec une vitesse variable en option.)
4. Cette machine utilise la méthode de coupe manuelle par tirage manuel de la scie à archet vers le bas. Bouton de démarrage (à appuyer) situé à la poignée de l'arc de scie. Moteur qui s'arrête au relâchement du bouton.
5. Stabilité de la machine, ainsi qu'une hauteur de la table de travail de 950 mm qui est conforme au génie de l'homme.
6. La lame d'un pouce et la surface de guidage en métal offrent un meilleur résultat de la surface de coupe et une efficacité accrue.
7. La pièce coulée en fonte d'un seul tenant et l'unique usinage CNC offrent une meilleure rigidité et une meilleure précision de la machine.
8. Le protège-lame monobloc à couverture complète est conforme à la stipulation CE. Un bon système de collecte de liquide de refroidissement permet d'avoir une aire de travail propre, non humide et sécuritaire.
9. Le tiroir à copeaux sous la table de travail empêche la fuite du liquide de refroidissement et garde plancher sec.
10. Liquide de refroidissement pour la coupe, eau : huile = 40 : 1 spécification de l'huile.

#### 5. TRANSPORT & INSTALLATION :

##### 5-1. Déballage

1. Transport à l'emplacement souhaité avant déballage : bien vouloir utiliser un vérin d'élévation. (Fig. B)
2. Transport après déballage : bien vouloir utiliser une courroie de fibre résistante pour soulever la machine.

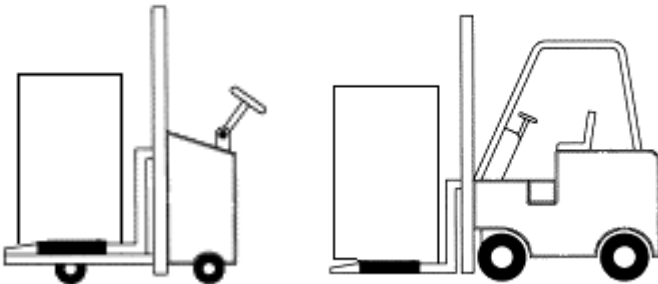


Fig. B

**TOUJOURS MAINTENIR SES PIEDS BIEN CAMPÉS & UN BON ÉQUILIBRE PENDANT QUE L'ON DÉPLACE CETTE MACHINE.**

##### 5-2. TRANSPORT DE LA MACHINE :

Étant donné que cette machine pèse 320 kg (705.4 lb), il est recommandé de transporter la machine à l'aide d'un vérin d'élévation.

##### Recommandation relative au transport :

1. **Serrer** toutes les serrures avant l'opération.
2. **Toujours** maintenir ses pieds bien campés & un bon équilibre pendant que l'on déplace cette machine, et utiliser une courroie de fibre résistante uniquement pour soulever la machine, comme indiqué à la Fig. A.
3. **COUPER** le courant avant d'effectuer le câblage et s'assurer que la machine est correctement mise à la masse. Un interrupteur de surcharge ainsi qu'un disjoncteur sont recommandés pour le câblage de sécurité.
4. **SERRER** 4 boulons aux trous du socle, une fois que la machine est équilibrée.
5. **VÉRIFIER** soigneusement si la lame de scie tourne dans le sens inverse des aiguilles d'une montre. Si tel n'est pas le cas, inverser les câbles selon le schéma du circuit, puis répéter l'essai de fonctionnement.
6. **TOUJOURS TENIR** la machine à l'abri du soleil, de la poussière, de l'humidité et de la pluie.

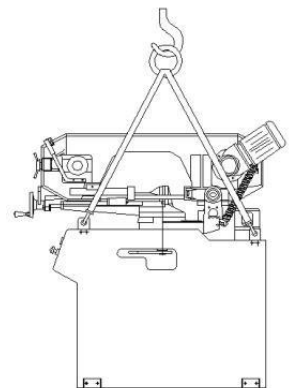
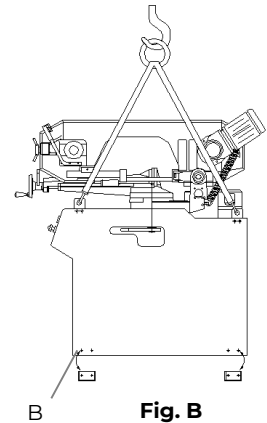


Fig. A

### 5-3. Installation :

- (1) **TOUJOURS** maintenir ses pieds bien campés & un bon équilibre pendant que l'on déplace cette machine de 320 kg. Et n'utiliser que des courroies de fibre résistante uniquement pour soulever la machine, comme indiqué à la Fig. (B).
- (2) Accrocher la machine, loin du plancher, enlever les 4 patins et les assembler sur le support auxiliaire. Fixer la machine sur le support auxiliaire et verrouiller l'écrou de raccordement.
- (3) **Terminer** la dépose de ce coffret ou caisse en bois de la machine. Déboulonner la machine à partir du bas de la caisse.
- (4) **Positionner** et serrer correctement les 4 boulons dans les trous de la base, une fois que la machine est en équilibre.
- (5) **Couper** le courant avant de procéder au câblage, et s'assurer que la machine est correctement mise à la masse. Un interrupteur de surcharge ainsi qu'un disjoncteur sont recommandés pour le câblage de sécurité.
- (6) **Toujours maintenir** la machine à l'abri du soleil, de la poussière, de l'humidité et de la pluie.



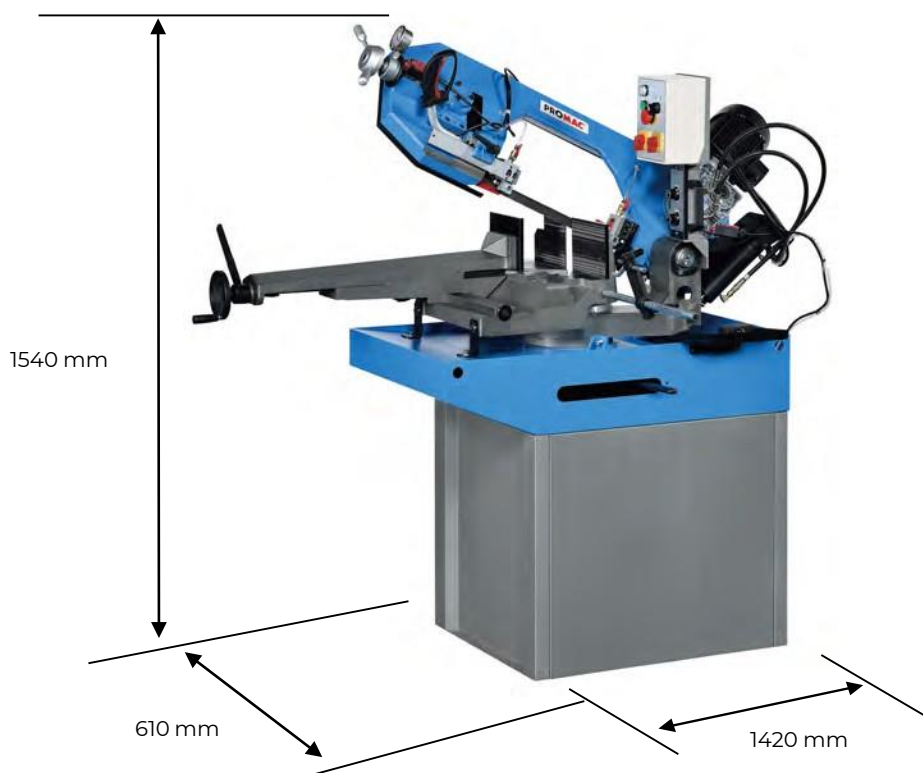
B

Fig. B

### 5-4. NETTOYAGE & LUBRIFICATION

- (1) Votre machine a été enduite d'une graisse lourde pour la protéger durant le transport. Ce revêtement doit être complètement enlevé avant de faire fonctionner la machine. Un dégraissant commercial, du kérosène ou un solvant similaire peut être utilisé pour enlever la graisse de la machine, mais éviter d'avoir le solvant sur les courroies ou autres pièces en caoutchouc.
- (2) après le nettoyage, appliquer une couche de lubrifiant léger sur tout les parties brillantes. Lubrifier tous les points avec une huile de machine de consistance moyenne.

### 6. ESPACE MINIMUM DE LA PIÈCE POUR LE FONCTIONNEMENT DE LA MACHINE



## 7. FAIRE UNE BONNE SÉLECTION DES DENTS

Pour une efficacité de coupe maximale et un moindre coût par coupe, il est important de choisir le bon nombre de dents par pouce ("TPI") de la lame pour le matériau à couper. La taille et la forme du matériau détermine le choix des dents.

### SÉLECTION DES DENTS

Éléments à considérer :

**la largeur de coupe** - c'est-à-dire la distance dans la coupe que chaque dent doit traverser allant de son point de pénétration de la pièce à travailler jusqu'à sa sortie de la pièce à travailler, et1. la forme de la pièce à travailler.

**les carrés, rectangles, aplats (symbole : ■)** Rechercher la largeur de coupe sur le graphique. (les pouces sur le cercle extérieur et les millimètres sur le cercle intérieur). Sélectionner le pas dentaire sur la couronne marquée par la forme carrée qui s'aligne sur la largeur de coupe.

EXEMPLE : Carré de 6" (150 mm), utiliser une dent variable de 2/3.

**les solides arrondis (symbole : ●)**

Rechercher le diamètre de votre pièce de travail sur le graphique. Sélectionner le pas dentaire sur la couronne marquée par la forme ronde qui s'aligne sur la largeur de coupe.

EXEMPLE : Cercle de 4" (100 mm), utiliser une dent variable de 3/4.

**les tubes, tuyaux, structures (Symbole : O H ^)** Déterminer la largeur moyenne de la coupe en divisant la surface de la pièce à travailler par la distance que la lame de scie doit parcourir pour terminer la coupe. Rechercher la largeur moyenne de la coupe sur le graphique. Sélectionner le pas dentaire sur la couronne marquée par la forme tubulaire et structurelle qui s'aligne sur la largeur moyenne que vous être entrain de couper.

EXEMPLE : Diamètre extérieur de 4"(100 mm), tube à diamètre intérieur de 3" (75 mm) .

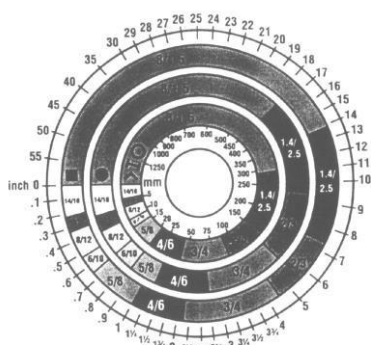
OD de 4" (100 mm) = 12,5 pouces carrés (79 cm<sup>2</sup>)

ID de 3" (75 mm) = 7,0 pouces carrés (44 cm<sup>2</sup>)

Surface = 5,5 pouces carrés (35 cm<sup>2</sup>) 5,5 pouces carrés (35 cm<sup>2</sup>)/ distance de 4" (100 mm)  
= largeur moyenne de 1,38 (35 mm). 1,38" (35 mm), utiliser une dent variable de 4/6.

**REMARQUE :** la vitesse de la bande et le taux de coupe recommandés dans ce tableau sont approximatifs et doivent être utilisés comme point de départ de la plupart des applications.

Pour les paramètres de sciage exacts, consulter votre fournisseur de lame de scie.





## 8. VITESSES ET CHARGES BIMÉTALLIQUES

Ces chiffres sont un guide à la coupe des matériaux de 4" (100 mm) (avec une dent variable de 314) lors de l'utilisation d'un fluide de coupe.

Augmenter la vitesse de la bande :

15%, à la coupe d'un matériau de 1/4" (6,4 mm) (dent variable de 10/14)

12%, à la coupe d'un matériau de 3/4" (19 mm) (dent variable de 6/10)

10%, à la coupe d'un matériau de 1-1/4" (32 mm) (dent variable de 5/8)

5%, à la coupe d'un matériau de 2-1/2" (64 mm) (dent variable de 4/6)

Réduire la vitesse de la bande :

12%, à la coupe d'un matériau de 8" (200 mm) (dent variable de 2/3)

MATÉRIAU	ALLIAGE N° DE L'ASTM	VITESSE DE LA BANDE	
		PIED/MIN	M/ MIN
CUIVRE Alliage	173, 932	314	96
	330, 365	284	87
	623, 624	264	81
	230, 260, 272	244	74
	280, 264, 632, 655	244	74
	101, 102, 110, 122, 172	234	71
	1751, 182, 220, 510	234	71
	625, 706, 715, 934	234	71
	630	229	70
	811	214	65
Carbone Acier	1117	339	103
	1137	289	88
	1141, 1144	279	85
	1141 FORTE PRESSION	279	85
	1030	329	100
Carbone Acier	1008, 1015, 1020, 1025	319	97
	1035	309	94
	1018, 1021, 1022	299	91
	1026, 1513	299	91
	A36 (FORMES), 1040	269	82
	1042, 1541	249	76
	1044, 1045	219	67
	1060	199	61
1095	184	56	
Ni-Cr-Mo Alliage d'acier	8615, 8620, 8622	239	73
	4340, E4340, 8630	219	67
	8640	199	61
	E9310	174	53
Acier à outil	A-6	199	61
	A-2	179	55

MATÉRIAU	ALLIAGE N° DE L'ASTM	VITESSE DE LA BANDE	
		PIED/MIN	M/ MIN
	A-10	159	49
	D-2	90	27
	H-11, H-12, H-13	189	58
Acier inoxydable	420	189	58
	430	149	46
	410, 502	140	43
	414	115	35
	431	95	29
	440C	80	24
	304, 324	120	36
	304L	115	35
	347	110	33
	316, 316L	100	30
	416	189	58

### COPEAUX INDICATEURS

Les copeaux sont les meilleurs indicateurs de la force d'alimentation correcte. Surveiller les informations sur les copeaux et ajuster l'alimentation en conséquence.

Copeaux minces ou en poudre – augmenter le taux d'alimentation ou réduire la vitesse de la bande.

Gros copeaux brûlés - réduire le taux d'alimentation et/ ou la vitesse de la bande.

Copeaux en boucle argentés et chauds - taux d'alimentation et vitesse de la bande optimales.



## 9. UTILISATION DES PRINCIPAUX COMPOSANTES DE LA MACHINE

### 9-1. CIRCUITS ÉLECTRIQUES ET PANNEAU DE COMMANDE

La puissance nominale de votre scie à ruban est de 230 volts monophasé ou 400 volts triphasé à contrôle magnétique.

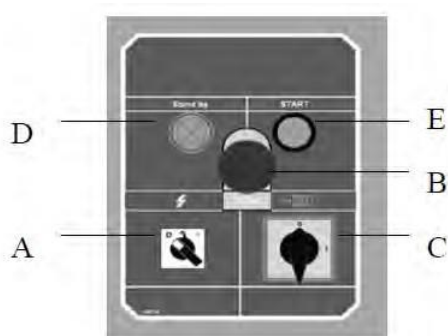
Avant de raccorder votre machine à un système d'alimentation électrique, veiller à ce que l'arbre du moteur tourne dans le bon sens. Nous en recommandons qu'un arbre de moteur de 1,5 mm<sup>2</sup> à 10 ampères, ainsi qu'un élément double et un fusible à fusion lente soient utilisés pour alimenter toutes les machines, quelle que soit leur puissance nominale.

Se reporter au schéma de câblage électrique fourni avec votre machine pour en savoir sur les instructions sur la manière de connecter la scie à la source d'alimentation. L'alimentation électrique doit être coupée lorsque la couverture du disque est ouverte ou lors des réparations.

Veillez vérifier le sens de marche de la lame. Si la lame tourne dans le mauvais sens, veuillez brancher le fil à nouveau.

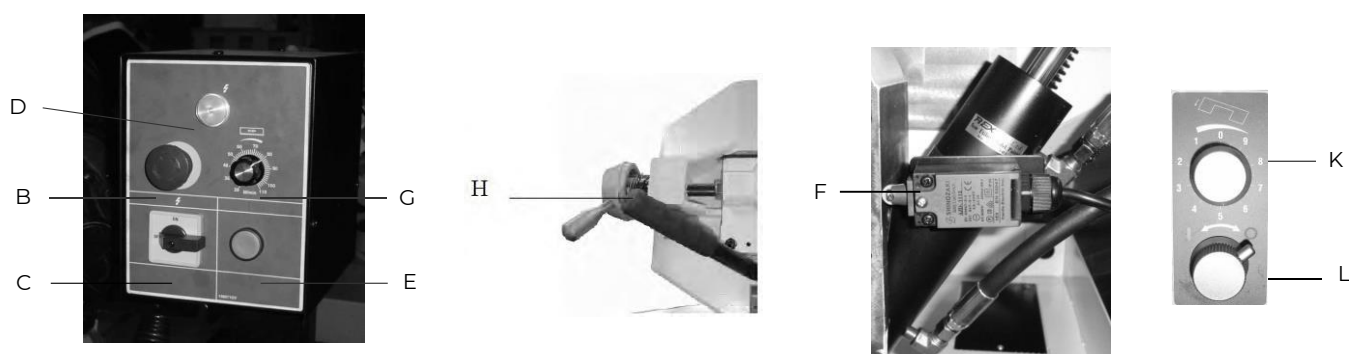
#### 9-2-1. DÉMARRAGE ET ARRÊT DE LA MACHINE (système de vérin)

1. Le voyant (D) s'allume lorsque l'alimentation électrique est raccordée.
2. Ce qui fait lever le bras de la scie hors la table de la scie.
3. Tourner la bonne Valeur (L) pour Fermer le clapet hydraulique lors du fonctionnement
4. Tourner (K) pour contrôler le bras de la scie vers le bas. Et contrôler la vitesse descendante en ajustant le robinet du débit hydraulique.
5. Lorsque le moteur est en marche, tourner à droite (K), le bras de scie va se baisser automatiquement et commencer à couper la pièce à travailler. Lorsque la coupe est terminée, appuyer sur le bouton (E) pour arrêter la machine, soulever le bras de la scie qui se relève et fermer (L), jusqu'à la prochaine coupe de réinitialisation.
6. Démarrer le moteur en tournant le bouton de démarrage (C), Appuyer sur le bouton (E) pour démarrer la lame de la scie.
7. Tourner (A) (0-fermer 1-ouvrir) pour ouvrir le système de refroidissement.
8. Tourner (G) pour choisir la basse ou haute vitesse.
9. Lorsque la lame de scie est en phase d'achèvement de la pièce à travailler. Ou lorsque la découpe est achevée, le système de refroidissement sera hors tension.
10. Appuyer sur le bouton d'urgence (B) pour arrêter le moteur en cas de situation d'urgence.
11. Le moteur sera arrêté lorsque la touche Trame touche l'interrupteur Limite (F).
12. Le système de refroidissement va s'exécuter et s'arrêter à la mise en marche de la lame.
13. Cette poignée (H) ne pourra installer un interrupteur si votre machine utilise le système de vérin. Veuillez utiliser le commutateur étoile-triangle (E) sur la boîte électrique pour le fonctionnement en étoile.



### 9-2-2 POUR UNE VITESSE VARIABLE

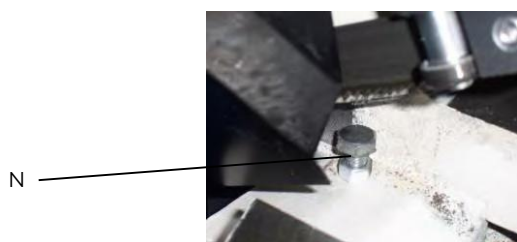
14. Le voyant (D) s'allume lorsque l'alimentation électrique est raccordée.
15. Ce qui fait lever le bras de la scie hors la table de la scie.
16. Tourner la bonne Valeur (L) pour Fermer le clapet hydraulique lors du fonctionnement
17. Tourner (K) pour contrôler le bras de la scie vers le bas. Et contrôler la vitesse descendante en ajustant le robinet du débit hydraulique.
18. Lorsque le moteur est en marche, tourner à droite (K), le bras de scie va se baisser automatiquement et commencer à couper la pièce à travailler. Lorsque la coupe est terminée, appuyer sur le bouton (E) pour arrêter la machine, soulever le bras de la scie qui se relève et fermer (L), jusqu'à la prochaine coupe de réinitialisation.
19. Démarrer le moteur en tournant le bouton de démarrage (C), Appuyer sur le bouton (E) pour démarrer la lame de la scie.
20. Le système de refroidissement se déclenchera à la mise en marche de la lame de scie. Le système de refroidissement va s'arrêter lorsque la lame de la scie est mise à l'arrêt.
21. Bouton (G) à tourner pour régler la vitesse de coupe. (Se référer à la référence de la vitesse recommandée contenue dans le manuel). Lorsque la lame de scie achève la pièce à travailler. Ou lorsque la découpe est achevée, éteindre le système de refroidissement (A).
22. Appuyer sur le bouton d'urgence (B) pour arrêter le moteur en cas de situation d'urgence.
23. Le moteur sera arrêté lorsque la touche Trame touche l'interrupteur Limite (F).
24. Le système de refroidissement va s'exécuter et s'arrêter à la mise en marche de la lame.
25. Cette poignée (H) ne pourra installer un interrupteur si votre machine utilise le système de vérin. Veuillez utiliser le commutateur étoile-triangle (E) sur la boîte électrique pour le fonctionnement en étoile.



Pour une vitesse variable

### 9-3. RÉGLAGE DE LA COURSE MONTANTE ET DESCENDANTE DU BRAS DE SCIE

La course descendante du bras de scie doit être ajustée, de sorte que les dents de la lame ne touchent la surface de la table lorsque le bras de la scie arrive est à l'extrême position descendante. La vis de butée (N) sert à régler la distance entre la surface de la lame et la table. Après que la distance est ajustée, serrer le contre-écrou.



#### 9-4. RÉGLAGE DE LA TENSION DE LAME ET ALIGNEMENT DE LA LAME

Pour tensionner la lame, tourner la manivelle de tensionnement de la lame (fig. 1) (A) dans le sens horaire. L'échelle est graduée pour indiquer une tension de lame de 20.000, 30.0 et 35.000 livres au pouce carré (lb/ po<sup>2</sup>).

Pour les lames de carbone, la lame doit être tensionner à 20.000 lb/ po<sup>2</sup>. Pour les lames bimétalliques (similaires à celle fournie avec la machine), la lame doit être tensionner à 30.000 ou 35.000 lb/ po<sup>2</sup>.

Toujours relâcher la tension de la lame à la fin de chaque journée de travail pour prolonger la vie de la lame. S'assurer que la lame est correctement tensionnée avant de contrôler ou régler l'alignement. La lame est correctement alignée lorsque l'arrière de la lame ne fait qu'effleurer les boudins de roues des deux roues pendant que la machine est en marche.

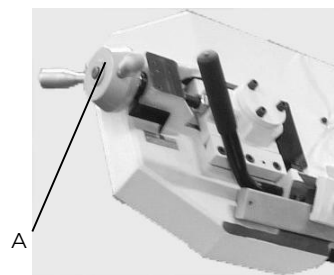


Fig. 1

#### 9-5. RÉGLAGE DE LA LARGEUR DE COUPE

D'abord, desserrer la vis (A) (fig. 2). Déplacer le guide-chaîne de la lame gauche à la position appropriée. Puis serrer la vis (A).



Fig. 2

#### 9-6. RÉGLAGE DES ROULEMENTS DU GALET DE GUIDAGE DES LAMES, DES GUIDE-LAMES EN CARBURE ET DES ROULEMENTS DE SECOURS, ET DÉGAGEMENT DES COUPEAUX DE COUPE

Avant d'effectuer les réglages suivants, s'assurer que la lame est correctement alignée et tensionnée :

1. L'arrière de la lame (A) (fig. 3) doit tourner au sens opposé du bloc de sauvegarde (B). Pour régler, desserrer la vis pression (C) et déplacer le bloc de guidage (D) vers le haut ou vers le bas, jusqu'à ce qu'il touche légèrement l'arrière de la lame.
2. La lame de scie (A) doit également rouler entre les deux et toucher légèrement les roulements du galet de guidage de la lame (E) et le roulement avant (F) (fig. 9). Le roulement avant (E) (fig. 9) est monté sur un excentrique, et peut être facilement ajusté de façon qu'il s'adapte à l'épaisseur de la lame en desserrant la vis sans tête (G) et en tournant l'arbre (E).
3. Les guides de lame en carbure (H) (fig. 9) doivent également être ajustés afin qu'ils effleurent la lame en desserrant la vis (K).
4. Les roulements du galet de guidage de la lame, les guides en carbure et le roulement de sauvegarde sur support (fig. 9) doivent être réglés de la même façon.
5. Les copeaux de coupe sur la lame seront débarrassés par la brosse d'acier.

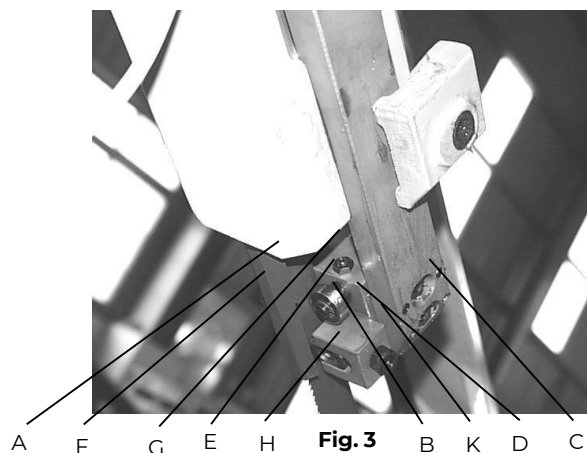


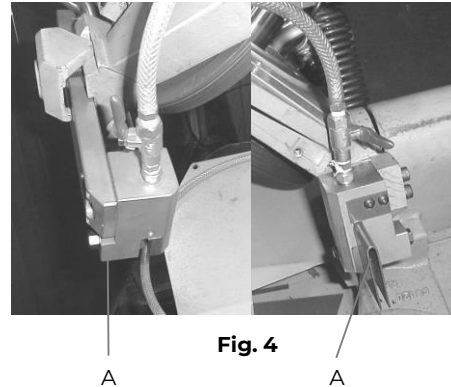
Fig. 3

### 9-7. LAME ET SYSTÈME DE REFROIDISSEMENT

L'utilisation d'un fluide de coupe adéquat est essentielle pour obtenir une efficacité maximale d'une lame de scie à ruban. La principale cause de rupture des dents est une accumulation de chaleur excessive. C'est pour cette raison que le fluide de coupe est nécessaire à la longévité de la lame et à l'augmentation de la vitesse de coupe. L'aire de coupe et les roues de lame doivent être maintenues propres en tout temps.

La vitesse d'écoulement du liquide de refroidissement est contrôlée par le levier de la valve d'arrêt (A) (fig. 4), qui dirige le fluide de refroidissement sur la lame. Le levier (A) est montré en position arrêt.

**Toujours garder le plancher sec pour éviter les glissements**



**Fig. 4**

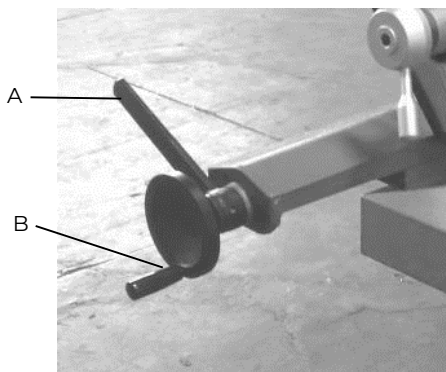
### 9-8. NOTICE D'UTILISATION DU SYSTÈME D'ÉTAU À VEROUILLAGE TRU-LOCK

Pour ce faire, procéder comme suit :

- 1) Lever le bras à 2" au-dessus de la pièce de travail ; fermer le robinet du cylindre afin de maintenir le bras à 2" au dessus de la pièce à travailler.
- 2) Mettre la pièce de travail sur la table. Pousser la manche de l'étau (A) vers le haut à un angle de 45 degrés (demi ouverte) pour desserrer l'étau. Déplacer le support de la mâchoire d'étau contre la pièce à travailler en tournant la poignée rectangulaire (B). Appuyer sur la manche de l'étau (A) pour tenir serrée la pièce de travail en position.
- 3) Pour desserrer la pièce de travail de l'étau, tenir la pièce à travailler et soulever la manche de l'étau (A) à une position (complètement ouverte) de 90 degrés. Enlever la pièce de travail.

#### COUPE CONTINUE :

Lorsque vous avez besoin de couper une pièce à travailler plusieurs fois, il vous suffit de relever la manche de l'étau (A) pour desserrer et régler la position de la pièce à travailler. Ensuite appuyer sur la même manche pour serrer. Aussi, vous pouvez commencer par pousser la manche de l'étau (A) vers le bas, et ensuite serrer l'étau en tournant la poignée rectangulaire (B) dans le sens horaire. Après avoir terminé la coupe, vous pouvez desserrer la pièce à travailler en tournant la poignée rectangulaire uniquement. Ce système d'étau Tru-Lock a une course de serrage de 4 mm lorsque la poignée rectangulaire est complètement ouverte. Il n'existe qu'une course de serrage de 2 mm nécessaire aux matériaux en métal normal. L'opérateur peut serrer la pièce à travailler en poussant la poignée de l'étau (A) vers le bas avec une certaine quantité de pression selon la dureté de la pièce à travailler.



**Fig. 5**

### 9-9. SÉLECTION DE L'ANGLE DE COUPE VARIABLE

Bien vouloir procéder comme suit pour obtenir l'angle de coupe souhaité. La plage de rotation est de 0° à 60° dans le sens horaire. Avant de balancer la base, s'assurer qu'il n'y a aucun obstacle ni aucune interférence.

1. Tirer la barre (A) (fig. 6), faire pivoter et tenir la barre.
2. Pousser pour tourner la base pivotante à l'angle désiré. Pour ce qui est du degré, se référer à l'échelle sur (B).
3. Serrer la barre (A), puis commencer la coupe.



Fig. 6

A

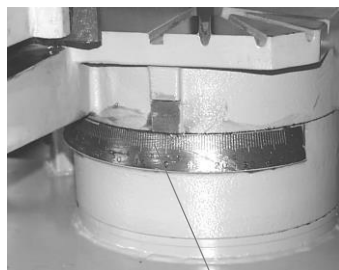


Fig. 7

B

### 9-10. RETRAIT ET INSTALLATION DE LA LAME

Lorsqu'il est nécessaire de remplacer la lame, procéder comme suit :

1. Soulever le banc de scie à environ 6" et fermez le bouton marche/arrêt d'alimentation en le tournant à fond dans le sens horaire (fig. 8).
2. Déplacer le bras de guide-lame vers la droite. (Fig. 9).
3. Débrancher la machine de la source d'alimentation. Desserrer les vis d'obturation, enlever le couvercle (A), ouvrir le couvercle (B), enlever le couvercle (C), puis nettoyer les copeaux et la saleté à l'intérieur de la machine.
4. Relâcher la tension de lame (F) (fig. 9) en tournant le volant de manœuvre de la tension de lame dans le sens antihoraire.
5. Retirer la lame des deux roues et hors chaque guide-lame. Mais retirer la lame de scie de côté (B). Lorsqu'elle est totalement relâchée, retirer le côté (A).
6. S'assurer que les dents de la nouvelle lame sont orientées dans la bonne direction. AU besoin, mettre la lame à l'envers.
7. Placer la nouvelle lame sur les roues. Dans les guides de lame, régler la tension de lame et les guides de lame.



Fig. 8

A

B

Fig. 9

C

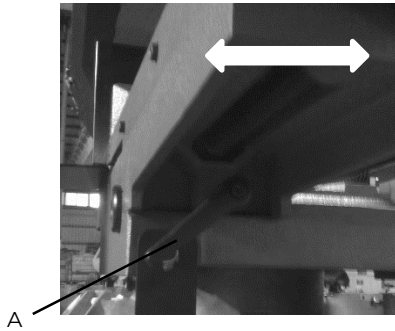
F

## 9-11 RÉGLAGE DE LA POSITION DE L'ÉTAU

**Mouvement** de position de l'étau : (GAUCHE, DROITE)

L'étau et la pousse sont conçus pour pivoter. L'étau est conçu de façon qu'il se déplace à gauche et à droite. Avant le mouvement, tourner la poignée (A) dans le sens antihoraire pour libérer le verrou, l'étau peut alors être déplacé à la position correcte. Et le serrer en tournant le levier (A) dans le sens horaire.

REMARQUE : Bine vouloir faire attention à ce que la position de l'étau et la position descendante de l'arc ne se touchent.



## 10. ENTRETIEN

C'est plus facile de garder la machine en bon état ou meilleure performance en l'entretenant à tout moment plutôt que de la réparer après qu'il soit hors d'usage.

(1) Entretien quotidien (par l'opérateur) :

- (a) remplir le lubrifiant avant de démarrer la machine, tous les jours ;
- (b) si la température de la broche a causé une surchauffe ou un bruit étrange, arrêter la machine immédiatement pour la vérifier en vue du maintien des performances exactes ;
- (c) maintenir l'aire de travail propre ; relâcher l'étau, le découpeur, la pièce à travailler de la table ; couper la source d'alimentation électrique ; enlever les copeaux ou la poussière de la machine et suivre les instructions de lubrification ou du liquide de revêtement antirouille avant de quitter.

(2) Entretien hebdomadaire :

- (a) nettoyer et enduire de l'huile sur les vis-mères cruciformes ;
- (b) vérifier si la surface de glissement et les parties tournantes manquent de lubrifiant. Remplir le lubrifiant de tuile s'il s'avère insuffisant.

(3) Entretien mensuel :

- (a) vérifier que la partie fixée a été desserrée ;
- (b) lubrifier la vis sans fin du roulement et l'arbre de la vis sans fin pour éviter l'usure.

(4) Entretien annuel :

- (a) ajuster la table à une position horizontale pour un entretien de précision ;
- (b) vérifier le cordon d'alimentation électrique, les prises, l'interrupteur, au moins une fois par an afin d'éviter le desserrage ou l'usure.

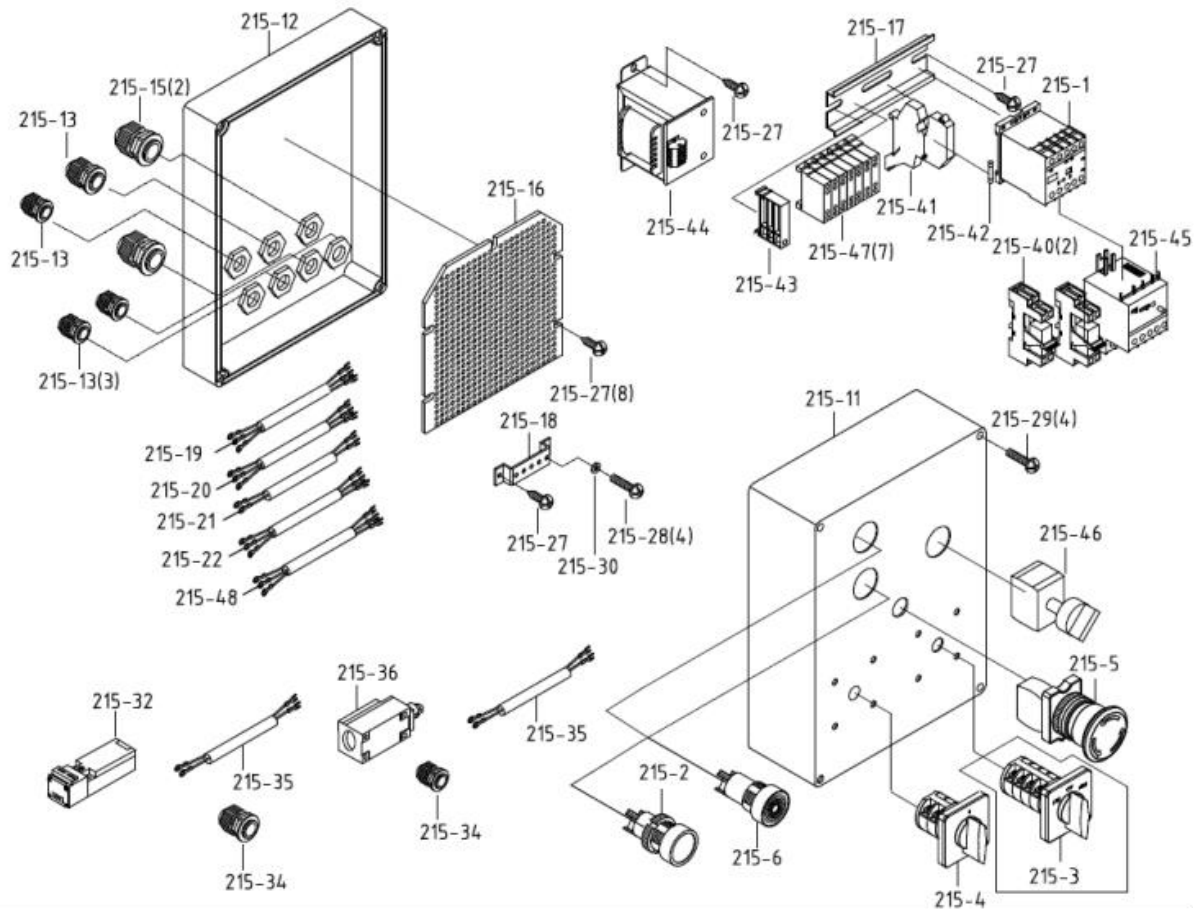
## 11. GUIDE DE DÉPANNAGE

Symptômes	Cause(s) possible(s)	Mesures correctives
La machine ne peut pas être démarrée.	<ol style="list-style-type: none"> <li>1. Le courant n'est pas branché ; le voyant d'alimentation sur le panneau de commande n'est pas activé.</li> <li>2. Le moteur ne peut pas être démarré ; l'alimentation a été coupée par un contacteur de fin de course.</li> <li>3. Le bouton de fonctionnement ne peut pas être normalement actionné.</li> </ol>	<ol style="list-style-type: none"> <li>1. Vérifier les spécifications du moteur ; brancher le courant sur la source d'alimentation correcte. S'assurer que le voyant d'alimentation est sur marche.</li> <li>2. S'assurer que le couvercle est en position correcte.</li> <li>3. Appuyer sur le bouton d'urgence ; la retourner à la position initiale. Puis relâcher le bouton d'urgence.</li> </ol>
Rupture excessive de la lame	<ol style="list-style-type: none"> <li>1. Matériaux desserrés dans l'étau.</li> <li>2. Vitesse ou alimentation incorrecte.</li> <li>3. Espacement trop grand des dents de lame.</li> <li>4. Matériau trop grossier.</li> <li>5. Tension de lame incorrecte.</li> <li>6. Dents en contact avec le matériau avant démarrage de la scie.</li> <li>7. Lame qui se frotte sur le boudin de roue.</li> <li>8. Roulements du guide non-alignés.</li> <li>9. Lame trop épaisse.</li> <li>10. Fissuration à la zone soudée.</li> </ol>	<ol style="list-style-type: none"> <li>1. Serre-fils qui fonctionne en toute sécurité.</li> <li>2. Régler la vitesse ou l'alimentation.</li> <li>3. Remplacer par une lame à faible espacement des dents.</li> <li>4. Utiliser une lame à faible vitesse et faible espacement des dents.</li> <li>5. Ajuster à l'endroit où lame ne glisse simplement pas sur la roue.</li> <li>6. Placer la lame en contact avec la pièce à travailler, après démarrage du moteur.</li> <li>7. Régler l'alignement des roues.</li> <li>8. Régler les roulements du guide.</li> <li>9. Utiliser une lame plus mince.</li> <li>10. Souder à nouveau, prendre garde de la compétence de soudage.</li> </ol>
Émoussement prématuré de la lame	<ol style="list-style-type: none"> <li>1. Dents trop grossiers.</li> <li>2. Trop de vitesse.</li> <li>3. Pression d'alimentation insuffisante.</li> <li>4. Points durs ou tartre dure sur matériau.</li> <li>5. Durcissement du matériau.</li> <li>6. Torsion de la lame.</li> <li>7. Lame insuffisante.</li> <li>8. Glissement de la lame.</li> </ol>	<ol style="list-style-type: none"> <li>1. Utiliser des dents plus fines.</li> <li>2. Diminuer la vitesse.</li> <li>3. Diminuer la tension du ressort sur le côté de la scie.</li> <li>4. Réduire la vitesse, augmenter la pression d'alimentation.</li> <li>5. Augmenter la pression d'alimentation en réduisant la tension du ressort.</li> <li>6. Remplacer par une nouvelle lame, et régler la tension de la lame.</li> <li>7. Serrer le bouton réglable de la tension de lame.</li> <li>8. Serrer la tension de la lame.</li> </ol>
Usure inhabituelle sur le côté/ arrière de la lame	<ol style="list-style-type: none"> <li>1. Guide-lames usés.</li> <li>2. Roulements du guide-lame non ajustés correctement.</li> <li>3. Support du roulement du guide-lame qui a lâché.</li> </ol>	<ol style="list-style-type: none"> <li>1. Remplacer</li> <li>2. Ajuster selon le manuel de fonctionnement.</li> <li>3. Serrer.</li> </ol>



Dents déchirées de la lame.	<ol style="list-style-type: none"> <li>1. Dent trop grossière pour la pièce à travailler.</li> <li>2. Pression trop lourde ; vitesse trop lente.</li> <li>3. Pièce de travail qui vibre.</li> <li>4. Chargement des creux.</li> </ol>	<ol style="list-style-type: none"> <li>1. Utiliser une lame à dents plus fines.</li> <li>2. Diminuer la pression, augmenter la vitesse.</li> <li>3. Serrer la pièce de travail en toute sécurité.</li> <li>4. Utiliser une lame à dents plus grossière, ou une brosse pour enlever les copeaux.</li> </ol>
Moteur qui chauffe trop.	<ol style="list-style-type: none"> <li>1. Tension de la lame trop élevée.</li> <li>2. Tension de la courroie d'entraînement trop élevée.</li> <li>3. Lame trop grossière pour le travail.</li> <li>4. Lame trop fine pour le travail.</li> <li>5. Engrenages alignés de manière inadéquate.</li> <li>6. Besoin de lubrification des engrenages.</li> <li>7. Coupe qui fait coincer la lame.</li> </ol>	<ol style="list-style-type: none"> <li>1. Réduire la tension sur la lame.</li> <li>2. Réduire la tension sur la courroie d'entraînement.</li> <li>3. Utiliser une lame à dents plus fines.</li> <li>4. Utilisez une lame grossière.</li> <li>5. Ajuster les engrenages de sorte que la vis sans fin soit dans le centre de l'engrenage.</li> <li>6. Contrôler la trajectoire de l'huile.</li> <li>7. Diminuer l'ancre anti-vitesse.</li> </ol>
Mauvaises coupes (tordues).	<ol style="list-style-type: none"> <li>1. Pression de l'alimentation trop importante.</li> <li>2. Rouleaux de guide non ajustés correctement.</li> <li>3. Tension de lame inadéquate.</li> <li>4. Lame émoussée.</li> <li>5. Vitesse incorrecte.</li> <li>6. Guide-lames trop espacés.</li> <li>7. Relâchement de l'assemblage du guide-lame.</li> <li>8. Chariot de la lame trop loin des boudins de roues.</li> </ol>	<ol style="list-style-type: none"> <li>1. Réduire la pression en augmentant la tension du ressort du côté de la scie.</li> <li>2. Ajuster le roulement du guide, le dégagement ne peut être supérieur à 0,001.</li> <li>3. Augmenter la tension de lame en ajustant la tension de la lame.</li> <li>4. Remplacer la lame.</li> <li>5. Régler la vitesse.</li> <li>6. Ajuster l'espace du guide.</li> <li>7. Serrer.</li> <li>8. Suivre lame à nouveau, selon mode d'emploi.</li> </ol>
Mauvaises coupes (brutes).	<ol style="list-style-type: none"> <li>1. Trop de vitesse ou d'alimentation.</li> <li>2. Lame trop grossière.</li> <li>3. Relâchement de la tension de lame.</li> </ol>	<ol style="list-style-type: none"> <li>1. Diminuer la vitesse ou l'alimentation.</li> <li>2. Remplacer par une lame plus fine.</li> <li>3. Régler la tension de la lame.</li> </ol>
Torsion de la lame.	<ol style="list-style-type: none"> <li>1. Coupe qui fait coincer la lame.</li> <li>2. Trop de tension de lame.</li> </ol>	<ol style="list-style-type: none"> <li>1. Diminuer la pression flexible.</li> <li>2. Diminuer la tension de la lame.</li> </ol>
Bras de scie qui ne se lève pas après qu'on ait appuyé sur le bouton de levage.	<ol style="list-style-type: none"> <li>1. Mauvais réglage de la butée de profondeur.</li> </ol>	<ol style="list-style-type: none"> <li>1. Appuyer sur l'arrêt d'urgence. Fermer et RÉINITIALISER.</li> <li>2. Vérifier l'interrupteur de fin de course supérieur et la butée. Positionner. S'assurer que l'interrupteur de fin de course est toujours sous la barre de la butée.</li> <li>3. Vérifier la jauge d'huile ; s'assurer que le niveau de l'huile dans les limites prescrites.</li> <li>4. Vérifier le sens de rotation du moteur ; S'assurer que la révolution du moteur se fasse dans le sens des aiguilles.</li> </ol>

## EXPLOSION DRAWING / ERSATZTEILZEICHNUNG / VUE ÉCLATÉE

**SX-823DGB**

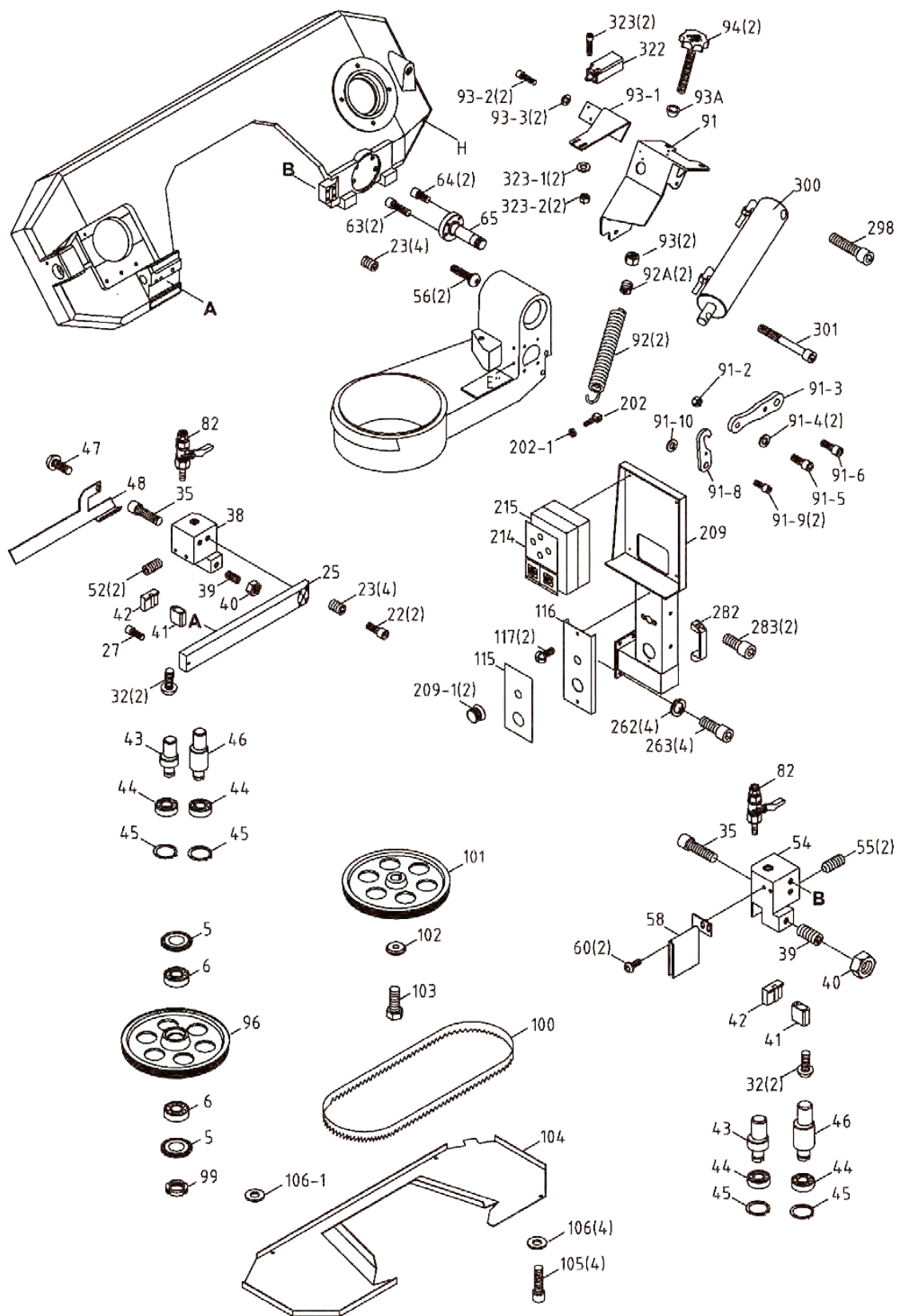
## PART LIST / ERSATZTEILLISTE / LISTE DES PIÈCES DÉTACHÉES

## SX-823DGB

Index No.	Part No.	Description	Size
215-1	MBS708CS-215-1	Magnetic-Contact / Magnetkontakt / Contact magnétique	C-06D
215-2	MBS708CS-215-2	Push-Button Switch / Druckschalter / Interrupteur à bouton poussoir	NPB-F20G
215-3	MBS708CS-215-3	Main Power Switch / Hauptschalter / Interrupteur principal	600V/20A
215-4	MBS708CS-215-4	Choice-Switch / Wahl-Schalter / Commutateur choix	600V/20A
215-5	MBS708CS-215-5	Emergency-Stop Switch / Not-Aus-Schalter / Interrupteur d'arrêt d'urgence	HY57B
215-6	MBS708CS-215-6	Power Light / Power Light / Voyant d'alimentation	NLD-22
215-11	MBS708CS-215-11	Box Upper Lib (Black) / Box Upper Lib (Schwarz) / Boîte Upper Lib (Noir)	
215-12	MBS708CS-215-12	Box Seat (Black) / Box Seat (Schwarz) / Siège de boîte (noir)	
215-13	MBS708CS-215-13	Cable-Gland / Kabelverschraubung / Presse-étoupe	PG-9
215-15	MBS708CS-215-15	Cable-Gland / Kabelverschraubung / Presse-étoupe	PG-13.5
215-16	MBS708CS-215-16	Net-Pin / Net-Pin / Net-Pin	
215-17	MBS708CS-215-17	Din-Rails / Din-Schienen / Din-Rails	
215-18	MBS708CS-215-18	Grand Copper Pin / Grand Copper Pin / Grande épingle de cuivre	
215-19	MBS708CS-215-19	Power Cable / Stromkabel / Câble d'alimentation	H07RN-Fx1.5mm <sup>2</sup>
215-20	MBS708CS-215-20	Motor Cable / Motorkabel / Câble moteur	1.25mm <sup>2</sup> x7C
215-21	MBS708CS-215-21	Limit Cable / Kabel begrenzen / Câble limite	H05VV-Fx0.75mm <sup>2</sup>
215-22	MBS708CS-215-22	Pump Cable / Pumpenkabel / Câble de pompe	H05VV-Fx0.75mm <sup>2</sup>
215-27	MBS708CS-215-27	Self-tapping Screw / Selbstschneidende Schraube / Vis autotaraudeuse	M4X8
215-28	MBS708CS-215-28	Cross Round Head Screw / Kreuzschlitzschraube / Vis à tête ronde cruciforme	M4X6
215-29	MBS708CS-215-29	Cross Round Head Screw / Kreuzschlitzschraube / Vis à tête ronde cruciforme	M4X12
215-30	MBS708CS-215-30	Star Washer / Sternwaschanlage / Rondelle étoilée	M4
215-32	MBS708CS-215-32	Limit Switch for Blade Guard / Endschalter für Blade Guard / Fin de course pour Blade Guard	AZD-S11
215-34	MBS708CS-215-34	Cable-Gland / Kabelverschraubung / Presse-étoupe	PG-11
215-35	MBS708CS-215-35	Limit Cable / Kabel begrenzen / Câble limite	H05VV-Fx0.75mm <sup>2</sup>
215-36	MBS708CS-215-36	Limit Switch for Bow Down / Endschalter für Bow Down / Fin de course pour Bow Down	AZD-112
215-40	MBS708CS-215-40	Relay / Relais / Relais	24V
215-41	MBS708CS-215-41	Fuse Seat / Sicherungssitz / Siège de fusible	
215-42	MBS708CS-215-42	Fuse / Sicherung / Fusible	2A
215-43	MBS708CS-215-43	Fix Block / Block reparieren / Fix Block	
215-44	MBS708CS-215-44	Transformer / Transformator / Transformateur	400/24V
215-45	MBS910CS-215-45	Overload protector / Überlastungsschutz / Protecteur de surcharge	2.4A-3.6A
215-46	MBS910CS-215-46	Auto/Manual switch / Automatischer / manueller Wechsel Commutateur automatique / manuel	SS22-S211B
215-47	MBS910CS-215-47	Terminal Block / Anschlussblock / Bornier bloquer / CABURE	600V 24A 24-12AGE
215-48	MBS910CS-215-48	Push-Button Switch Cable / Druckknopfschalterkabel / Câble de commutateur à bouton-poussoir	H05VV-F 2 x0.75 mm <sup>2</sup>

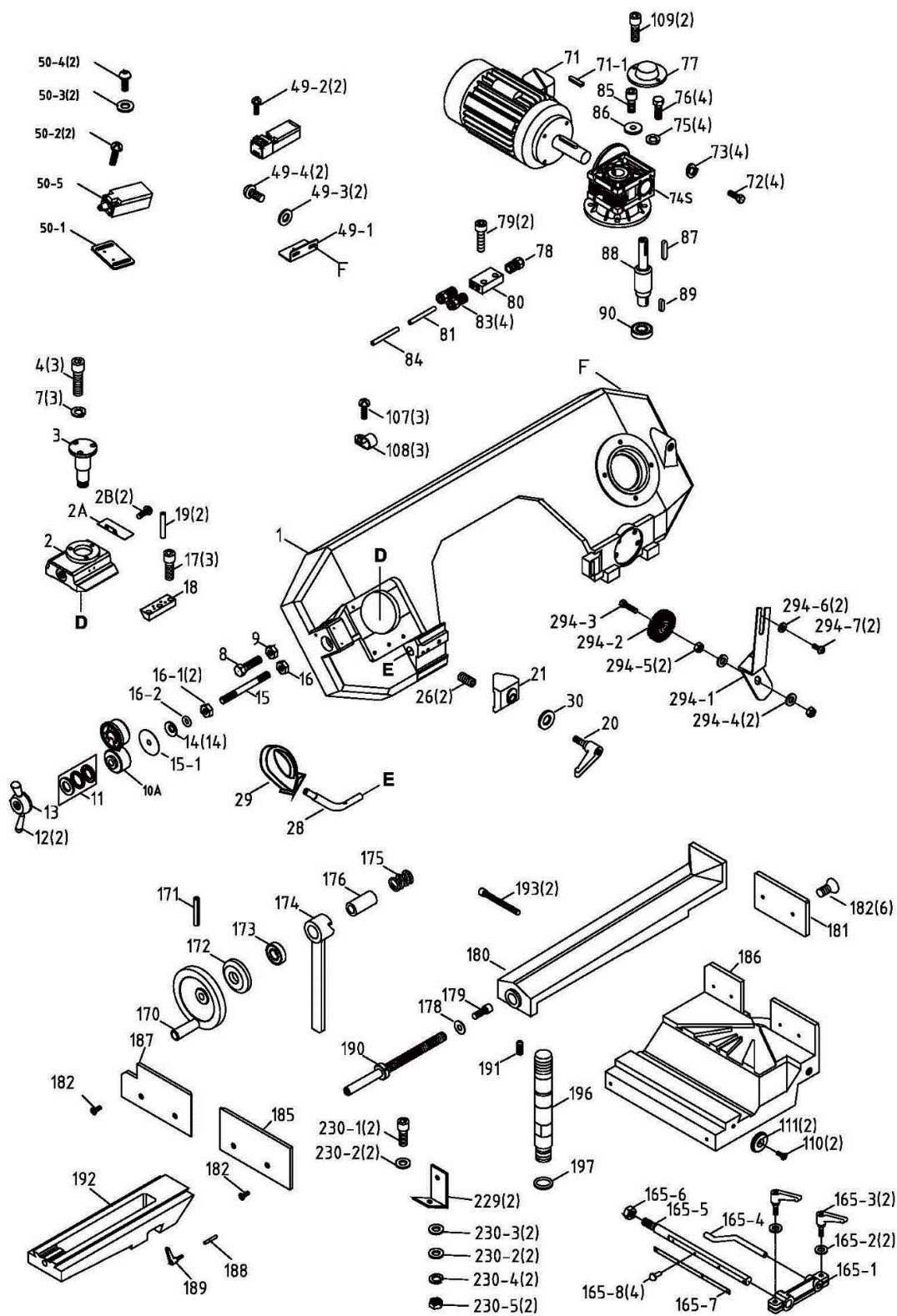
## EXPLOSION DRAWING / ERSATZTEILZEICHNUNG / VUE ÉCLATÉE

## SX-823DGB

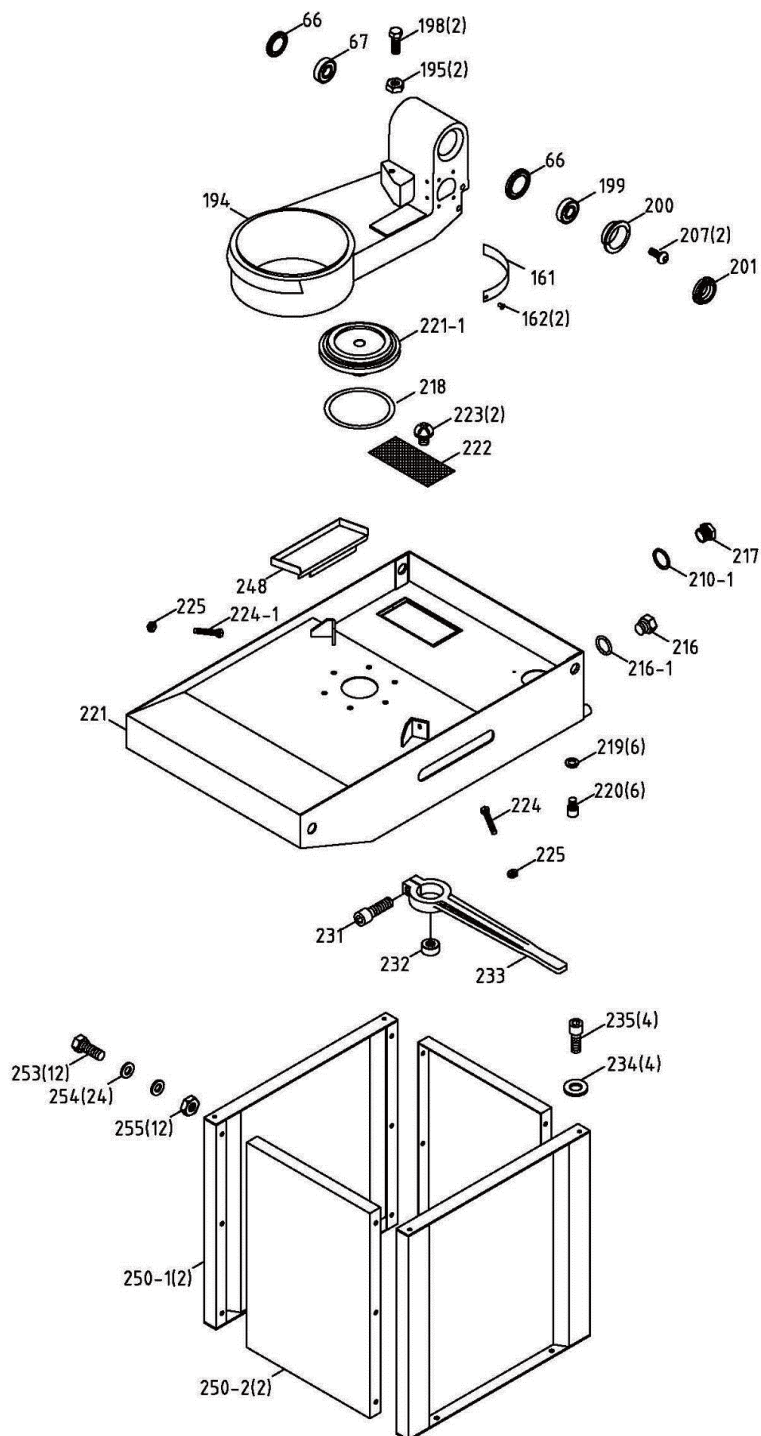


EXPLOSION DRAWING / ERSATZTEILZEICHNUNG / VUE ÉCLATÉE

**SX-823DGB**



## EXPLOSION DRAWING / ERSATZTEILZEICHNUNG / VUE ÉCLATÉE

**SX-823DGB**

## PART LIST / ERSATZTEILLISTE / LISTE DES PIÈCES DÉTACHÉES

## SX-823DGB

Index No.	Part No.	Description	Size
1	MBS910CSD-1B	Body Frame / Armgehäuse / Archet	
2	MBS910CSD-2B	Anchor Block / Ankerblock / Bloc d'ancrage	
2A	MBS910CSD-2A	Anchor Plate / Ankerplatte / Plaque d'ancrage	
2B	TS-2245102	Round Head Screw / Halbrundschraube / Vis à tête ronde	M5X10L
3	MBS910CSD-3H	Shaft / Welle / Arbre	
4	TS-1504041	Hex. Socket Head Screw / Innensechskantschraube / Vis à six pans creux	M8X20L
5	MBS910CSD-5	Anti-Chip Cover / Spänespritzschutz / Couvercle de protection contre les copeaux	
6	MBS910CSD-6	Tapered Bearing / Kegellager / Palier conique	32006
7	TS-1550061	Spring Washer / Federscheibe / Rondelle élastique	M8
8	TS-1490041	Hex. Head Screw / Sechskantschraube / Vis à tête hexagonale	M8X45L
9	MBS910CSD-9	Hex. Nut / Sechskantmutter / Ecrou hexagonal	M8
10A	MBS910CSD-10A	Pressure gauge / Druckmesser / Jauge de pression	
11	MBS910CSD-11	Bearing / Lager / Palier	51203
12	MBS910CSD-12	Knob / Knopf / Bouton	
13	MBS910CSD-13	Blade Tension Handle / Spanngriff, Sägeblatt / Poignée de tension de la lame	
14	MBS910CSD-14	Spring Washer / Federscheibe / Rondelle élastique	ID16.3X31.5X1.75t
15	MBS910CSD-15	Leadscrew / Leitspindel / Vis-mère	
15-1	MBS910CSD-15-1	Clamp / Klemme / Attache	
16	MBS910CSD-16	Hex. Nut / Sechskantmutter / Ecrou hexagonal	M16XP2
16-1	MBS910CSD-16-1	Nut / Mutter / Ecrou	M16XP2 T=8mm
16-2	MBS910CSD-16-2	O-Ring O-Ring Joint torique	$\phi 17 \times \phi 27 \times \Phi 5w$
17	TS-1504041	Hex. Socket Head Screw / Innensechskantschraube / Vis à six pans creux	M8X20L
18	MBS910CSD-18	Fixed Block / Feststehender Block / Bloc fixe	
19	MBS910CSD-19	Pin / Stift / Goupille	5X40
20	MBS910CSD-20	Knob / Knopf / Bouton	M10X52L
21	MBS910CSD-21H	Fixed Block / Feststehender Block / Bloc fixe	
22	TS-1504041	Hex. Socket Head Screw / Innensechskantschraube / Vis à six pans creux	M8X20L
23	TS-1523051	Hex. Socker Headless Screw / Innensechskantgewindeschraube / Vis sans tête à six pans creux	M6X16L
25	MBS910CSD-25	Blade adjust stick / Einstellstab, Sägeblatt / Manche de réglage de la lame	
26	TS-1524021	Hex. Socker Headless Screw / Innensechskantgewindeschraube / Vis sans tête à six pans creux	M8X10L
27	TS-1503021	Hex. Socket Head Screw / Innensechskantschraube / Vis à six pans creux	M6X10L
28	MBS910CSD-28	Connecting Tube / Anschlussrohr / Tube de connexion	
29	MBS910CSD-29	Knob / Knopf / Bouton	
30	TS-1550071	Washer / Unterlegscheibe / Rondelle	M10
32	TS-2246302	Round Head Screw / Halbrundschraube / Vis à tête ronde	M6X30L
35	TS-1503011	Hex. Socket Head Screw / Innensechskantschraube / Vis à six pans creux	M6X8L
38	MBS910CSD-38	Blade Adjust (Front) / Blatteinstellung (vorne) / Lame réglable (avant)	
39	TS-1524051	Hex. Socker Headless Screw / Innensechskantgewindeschraube / Vis sans tête à six pans creux	M8X20L
40	MBS910CSD-40	Hex. Nut / Sechskantmutter / Ecrou hexagonal	M8XP1.25
41	MBS910CSD-41	Guide / Führung / Guide	
42	MBS910CSD-42	Guide / Führung / Guide	
43	MBS910CSD-43	Eccentric Guide / Exzentrische Führung / Guide excentrique	
44	MBS910CSD-44	Bearing / Lager / Palier	608-ZZ
45	MBS910CSD-45	C-Retainer Ring / C-Haltering / Anneau de blocage C	8
46	MBS910CSD-46	Eccentric Guide / Exzentrische Führung / Guide excentrique	
47	TS-2246102	Round Head Screw / Halbrundschraube / Vis à tête ronde	M6X10L
48	MBS910CSD-48	Blade Cover (Front) / Blattabdeckung (vorne) / Couvercle de la lame (avant)	

## PART LIST / ERSATZTEILLISTE / LISTE DES PIÈCES DÉTACHÉES

## SX-823DGB

Index No.	Part No.	Description	Size
49-1	MBS910CSD-49-1	Power Cutting Bracket / Halterung, Hochleistungserspanung / Support de coupe de la puissance	
49-2	MBS910CSD-49-2	Cross Round Head Screw / Halbrundschrabe, Kreuzschlitz / Vis à tête ronde en croix	M4x28L
49-3	TS-1550041	Washer / Unterlegscheibe / Rondelle	M6
49-4	TS-2246102	Round Head Screw / Halbrundschrabe / Vis à tête ronde	M6X10L
49-5	MBS910CSD-49-5	Limit Switch / Endschalte / Commutateur de fin de course	
50-1	MBS910CSD-50-1	Limit Switch Bracket / Endschaltehalter / Support du commutateur de fin de course	
50-2	MBS910CSD-50-2	Cross Round Head Screw / Halbrundschrabe, Kreuzschlitz / Vis à tête ronde en croix	M4x28L
50-3	TS-1550031	Washer / Unterlegscheibe / Rondelle	M5
50-4	MBS910CSD-50-4	Hex. Socket Head Screw / Innensechskantschrabe / Vis à six pans creux	M5X15L
50-5	MBS910CSD-50-5	Limit Switch / Endschalte / Commutateur de fin de course	
52	TS-1523011	Hex. Socker Headless Screw / Innensechskantgewindeschrabe / Vis sans tête à six pans creux	M6X6L
54	MBS910CSD-54	Blade Adjustable (Rear) / Einstellbares Blatt (hinten) / Lame réglable (arrière)	
55	TS-1523011	Hex. Socker Headless Screw / Innensechskantgewindeschrabe / Vis sans tête à six pans creux	M6X6L
56	TS-1504061	Hex. Socket Head Screw / Innensechskantschrabe / Vis à six pans creux	M8X30L
58	MBS910CSD-58	Blade Cover / Blattabdeckung / Couvercle de la lame	
60	TS-2245122	Round Head Screw / Halbrundschrabe / Vis à tête ronde	M5X12L
63	TS-1505061	Hex. Socket Head Screw / Innensechskantschrabe / Vis à six pans creux	M10X40L
64	TS-1505031	Hex. Socket Head Screw / Innensechskantschrabe / Vis à six pans creux	M10X25L
65	MBS910CSD-65	Frame Pivot Shaft / Schwenkwelle, Rahmen / Arbre pivot du cadre	
66	MBS910CSD-66	Anti-Chip Cover / Spänespritzschutz / Couvercle de protection contre les copeaux	
67	MBS910CSD-67	Tapered Bearing / Kegellager / Palier conique	32007
71	MBS910CSD-71	Motor / Motor / Moteur	1.5HP,3ph, 400V-2/4P,50Hz
71-1	MBS910CSD-71-1	Key / Keil / Clavette	6*6*40
72	TS-1482047	Hex. Head Screw / Sechskantschrabe / Vis à tête hexagonale	M6x20L
73	TS-2361061	Spring Washer / Federscheibe / Rondelle élastique	M6
74S	MBS910CSD-74S	Gear Box / Getriebe / Boîte de vitesses	E=1/40 G5A
75	TS-2361101	Spring Washer / Federscheibe / Rondelle élastique	M10
76	TS-1505031	Hex. Socket Head Screw / Innensechskantschrabe / Vis à six pans creux	M10x25L
77	MBS910CSD-77	Reducer Cover / Abdeckung, Reduzierstück / Couvercle de réducteur	
78	MBS910CSD-78	Hose Fitting / Schlaucharmatur / Raccord de flexible	8X1/4"PT
79	MBS910CSD-79	Hex. Socket / Head Screw / Innensechskantschrabe / Vis à six pans creux	M6X15L
80	MBS910CSD-80	3 Way Valve / 3-Wege-Ventil / Soupape à 3 voies	
81	MBS910CSD-81	PU Tube / PU-Rohr / Tube en PU	6x240L
82	MBS910CSD-82	Valve / Ventil / Soupape	1/8"
83	MBS910CSD-83	Hose Fitting / Schlaucharmatur / Raccord de flexible	6X1/8"PT
84	MBS910CSD-84	PU Tube / PU-Rohr / Tube en PU	6x800L
85	TS-1505031	Hex. Socket Head Screw / Innensechskantschrabe / Vis à six pans creux	M10X25L
86	MBS910CSD-86	Drive Shaft Washer / Beilagscheibe, Welle / Rondelle de l'arbre d'entraînement	
87	MBS910CSD-87	Round Head Key / Halbrundschrabe / Clavette à tête ronde	8X7X50
88	MBS910CSD-88	Output Shaft / Abtriebswelle / Arbre de sortie	
89	MBS910CSD-89	Round Head Key / Halbrundschrabe / Clavette à tête ronde	8X7X25
90	MBS910CSD-90	Bearing / Lager / Palier	6208-2RS
91	MBS910CSD-91	Spring Bracket / Federbock / Support de ressort	



## PART LIST / ERSATZTEILLISTE / LISTE DES PIÈCES DÉTACHÉES

## SX-823DGB

Index No.	Part No.	Description	Size
91-2	TS-1540061	Hex.Nut / Sechskantmutter / Ecrou hexagonal	M8
91-3	MBS910CSD-91-3	Rally / plate / Platte	
91-4	TS-2361081	Washer / Unterlegscheibe / Rondelle	M8
91-5	TS-1504071	Hex.Socket Head Screw / Sechskantschraube / Vis à six pans creux	M8X35
91-6	TS-1505031	Hex.Socket Head Screw / Sechskantschraube / Vis à six pans creux	M10X25
91-8	MBS910CSD-91-8	Positioning plate / Positionierplatte / Plaque de positionnement	
91-9	MBS910CSD-91-9	Hex.Socket Head Screw / Sechskantschraube / Vis à six pans creux	M6X6
91-10	TS-2361101	Washer / Unterlegscheibe / Rondelle	M10
92	MBS910CSD-92	Spring / Feder / Ressort	
92A	MBS910CSD-92A	Bushing / Buchse / Douille	
93	TS-2311101	Hex. Nut / Sechskantmutter / Ecrou hexagonal	M10
93A	MBS910CSD-93A	Washer / Unterlegscheibe / Rondelle	
94	MBS910CSD-94	Locking valve / Absperrventil / Soupape de verrouillage	M10X110L
96	MBS910CSD-96	Idler Wheel / Leelauftrad / Roue du galet-tendeur	
99	MBS910CSD-99	Nut / Mutter / Ecrou	AN06
100	MBS910CSD-100	Blade / Blatt / Lame	0.9X27X2460X5/8T
101	MBS910CSD-101	Drive Wheel / Antriebsrad / Roue de commande	
102	MBS910CSD-102	Drive Shaft Washer / Beilagscheibe, Antriebswelle / Rondelle de l'arbre d'entraînement	
103	MBS910CSD-103	Hex. Head Screw / Sechskantschraube / Vis à tête hexagonale	M12X20L
104	MBS910CSD-104	Blade Back Cover / Hintere Blattabdeckung / Couvercle arrière de la lame	
105	MBS910CSD-105	Hex. Socket Head Screw / Innensechskantschraube / Vis à six pans creux	M6X15L
106	TS-1550041	Washer / Unterlegscheibe / Rondelle	M6
106-1	MBS910CSD-106-1	Washer / Unterlegscheibe / Rondelle	
107	MBS910CSD-107	Cross Round Head Screw / Halbrundschrabe, Kreuzschlitz / Vis à tête ronde en croix	M5X10L
108	MBS910CSD-108	Hose Clip / Schlauchschelle / Clip de flexible	8
109	MBS910CSD-109	Hex. Socket Head Screw / Innensechskantschraube / Vis à six pans creux	M8x15L
110	MBS910CSD-110	Flat head Allen screws inside / Innensechskantschraube, Senkkopf / Intérieur des vis à six pans creux à tête plate	M8x15L(8*16)
111	MBS910CSD-111	Stoppers / Anschläge / Butées	
115	MBS910CSD-115	Label / Aufkleber / Etiquette	
116	MBS910CSD-116	Cover / Abdeckung / Couvercle	
117	MBS910CSD-117	Cross Round Head Screw / Halbrundschrabe, Kreuzschlitz / Vis à tête ronde en croix	M5X10L
161	MBS910CSD-161	Scale / Skala / Echelle	
162	MBS910CSD-162	Rivet / Niet / Rivet	2
165S	MBS910CSD-165S	Distance Set Rod Assembly / Distanzstange, Baugruppe / Ensemble de la tige de réglage de la distance	
165-1	MBS910CSD-165-1	Distance Set Bracket / Distanzhalterung / Support de réglage de la distance	
165-2	TS-1550061	Washer / Unterlegscheibe / Rondelle	M8
165-3	MBS910CSD-165-3	Knob / Knopf / Bouton	
165-4	MBS910CSD-165-4	Stock Stop Rod / Anschlag Stangenmaterial / Tige d'arrêt de la barre	
165-5	MBS910CSD-165-5	Distance Set Rod / Distanzstange / Tige de réglage de la distance	
165-6	MBS910CSD-165-6	Hex. Nut / Sechskantmutter / Ecrou hexagonal	M14xP1.5
165-7	MBS910CSD-165-7	Scale / Skala / Echelle	
165-8	MBS910CSD-165-8	Rivet / Niet / Rivet	2
170S	MBS910CSD-170S	Hand Wheel Assembly / Handrad, Baugruppe / Ensemble de la roue à main	
170	MBS910CSD-170	Hand Wheel / Handrad / Roue à main	
170-1	MBS910CSD-170-1	Hand / Hand / Main	M8
171	MBS910CSD-171	Pin / Stift / Goupille	5X35
172	MBS910CSD-172	Bearing Cover / Lagerdeckel / Chapeau de palier	
173	MBS910CSD-173	Bearing / Lager / Palier	30X47X3.5

## PART LIST / ERSATZTEILLISTE / LISTE DES PIÈCES DÉTACHÉES

## SX-823DGB

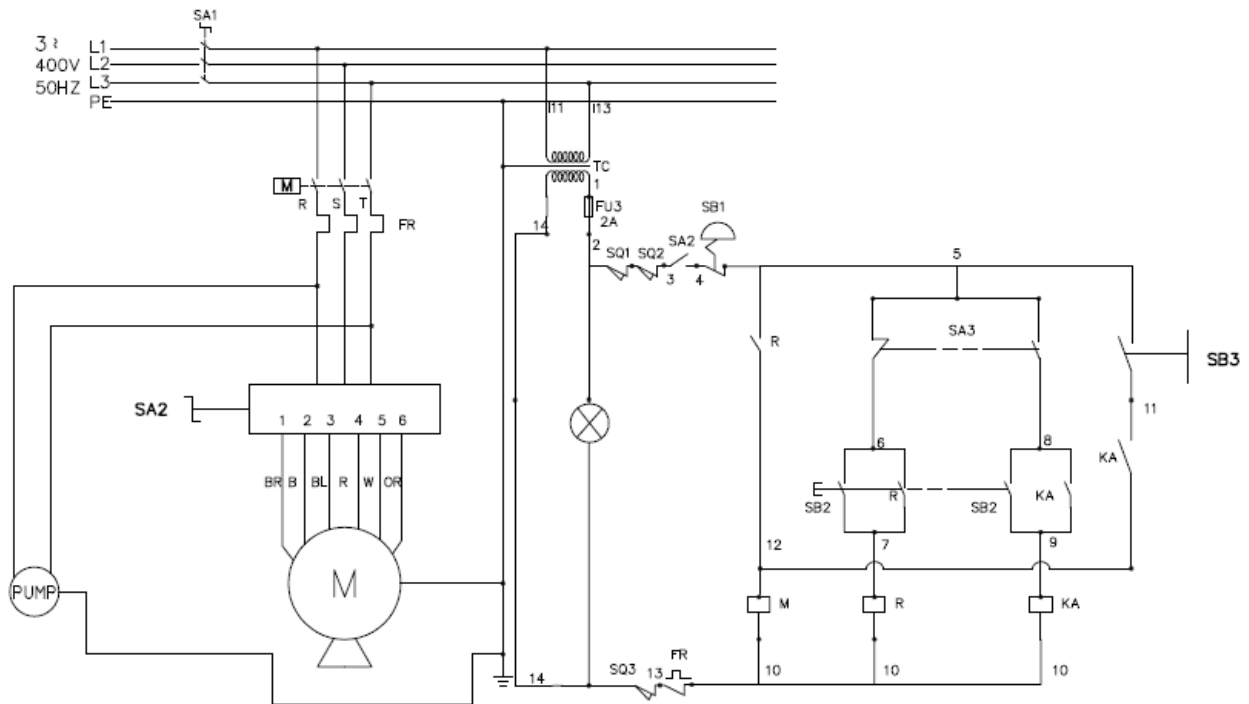
Index No.	Part No.	Description	Size
174	MBS910CSD-174	Vise Handle / Spannstockgriff / Poignée d'étau	
175	MBS910CSD-175	Spring / Feder / Ressort	
176	MBS910CSD-176	Bushing / Buchse / Douille	
178	MBS910CSD-178	Washer / Unterlegscheibe / Rondelle	ID6.5 OD18
179	MBS910CSD-179	Hex. Socket / Head Screw / Innensechskantschraube / Vis à six pans creux	M6x15L
180	MBS910CSD-180H	Vise Jaw Bracket(Front) / Spannstockbacke (vorne) / Support de mâchoire d'étau (avant)	
181	MBS910CSD-181	Vise / Spannstock / Etau	
182	TS-1514011	Hex. Socket Flat Head Screw / Innensechskantschraube, Senkkopf / Vis à tête plate à six pans creux	M6X12L
185	MBS910CSD-185	Vise / Spannstock / Etau	
186	MBS910CSD-186H	Vise Jaw Bracket(Rear) / Spannstockbacke (hinten) / Support de mâchoire d'étau (arrière)	
187	MBS910CSD-187	Vise / Spannstock / Etau	
188	MBS910CSD-188	Shaft / Welle / Arbre	
189	MBS910CSD-189	Grip / Griff / Poignée	
190	MBS910CSD-190	Leadscrew A / Leitspindel A / Vis-mère A	
191	TS-1524051	Hex. Socker Headless Screw / Innensechskantgewindeschraube / Vis sans tête à six pans creux	M8X20L
192	MBS910CSD-192H	Movable Table / Verfahrbarer Tisch / Table mobile	
193	MBS910CSD-193	Hex. Socket Head Screw / Innensechskantschraube / Vis à six pans creux	M6X110L
194	MBS910CSD-194H	Swivel Arm / Schwenkarm / Bras oscillant	
195	TS-2311101	Hex. Nut / Sechskantmutter / Erou hexagonal	M10
196	MBS910CSD-196	Vise Jaw Adjustable Rod / Einstellstange, Spannstockbacke / Tige réglable de mâchoire d'étau	
197	MBS910CSD-197	O-Retainer Ring / O-Haltering / Joint torique de blocage	19.8X 2.4
198	TS-2210451	Hex. Head Screw / Sechskantschraube / Vis à tête hexagonale	M10X45L
199	MBS910CSD-199	Tapered Bearing / Kegellager / Palier conique	32007
200	MBS910CSD-200	Bushing / Buchse / Douille	
201	MBS910CSD-201	Nut / Mutter / Erou	GUK35
202	MBS910CSD-202	Bolt / Schraube / Boulon	
202-1	MBS910CS-202-1	Hex. Nut / Sechskantmutter / Erou hexagonal	M10-P1.5
207	MBS910CSD-207	Round Head Screw / Halbrundschrabe / Vis à tête ronde	M5X15L
209	MBS910CSD-209	Control Box Base / Schaltschranksockel / Base du boîtier de commande	
209-1	MBS910CSD-209-1	Knob / Knopf / Bouton	
210-1	MBS910CSD-210-1	O-Retainer Ring / O-Haltering / Joint torique de blocage	P16
214	MBS910CSD-214	Lable for Name Plate / Typenschild (Aufkleber) / Etiquette pour la plaque du constructeur	
215	MBS910CSD-215	Control Box / Schaltschrank / Boîtier de commande	
216	MBS910CSD-216	Hex Socket Plug / Sechskantstopfen / Bouchon à six pans creux	3/8"PT
216-1	MBS910CSD-216-1	Washer / Unterlegscheibe / Rondelle	15*22-2.2
217	MBS910CSD-217	Oil mirror / Ölstandsanzeige / Miroir d'huile	
218	MBS910CSD-218	O-Retainer Ring / O-Haltering / Joint torique de blocage	ID195X5.7W
219	TS-2361101	Spring Washer / Federscheibe / Rondelle élastique	M10
220	TS-1505021	Hex. Socket Head Screw / Innensechskantschraube / Vis à six pans creux	M10X20L
221	MBS910CSD-221B	Stand / Ständer / Montant	
221-1	MBS910CSD-221-1B	Swivel Arm Base / Schwenkarmsockel / Base du bras oscillant	
222	MBS910CSD-222	Filter / Filter / Filtre	
223	MBS910CSD-223	Cross Round Head Screw / Halbrundschrabe, Kreuzschlitz / Vis à tête ronde en croix	M4X10L
224	TS-1491081	Hex. Head Screw / Sechskantschraube / Vis à tête hexagonale	M10X50L
224-1	MBS910CSD-224-1	Hex. Head Screw / Sechskantschraube / Vis à tête hexagonale	M10X100L
225	TS-2311101	Hex. Nut / Sechskantmutter / Erou hexagonal	M10

## PART LIST / ERSATZTEILLISTE / LISTE DES PIÈCES DÉTACHÉES

## SX-823DGB

Index No.	Part No.	Description	Size
229	MBS910CSD-229	Fixed Plste / Feststehende Platte / Plaque fixe	
230-1	TS-1503051	Hex. Socket Head Screw / Innensechskantschraube / Vis à six pans creux	M6*1.0-20
230-2	TS-1550041	Washer / Unterlegscheibe / Rondelle	M6
230-3	MBS910CSD-230-3	Rubber Washer / Gummischeibe / Rondelle en caoutchouc	
230-4	TS-2361061	Spring Washer / Federscheibe / Rondelle élastique	M6
230-5	TS-2311061	Hex. Nut / Sechskantmutter / Ecrou hexagonal	M6
231	TS-1505051	Hex. Socket Head Screw / Innensechskantschraube / Vis à six pans creux	
232	MBS910CSD-232	Nut / Mutter / Ecrou	
233	MBS910CSD-233	Adjustable Handle / Einstellbarer Griff / Poignée réglable	
234	TS-1550071	Washer / Unterlegscheibe / Rondelle	M10
235	TS-1505021	Hex. Socket Head Screw / Innensechskantschraube / Vis à six pans creux	M10x20
240	MBS910CSD-240	Cooling Pump / Kühlmittelpumpe / Pompe de refroidissement	1/8HP,1PH,400V
241	MBS910CSD-241	Hex. Socket Head Screw / Innensechskantschraube / Vis à six pans creux	M6X15
242	TS-2361061	Spring Washer / Federscheibe / Rondelle élastique	M6
243	MBS910CSD-243	Micro Control Block / Mikrosteuerblock / Bloc de commande micro	3/8"x3/8"
245	MBS910CSD-245	PU Tube / PU-Rohr / Tube en PU	8x1300L
248	MBS910CSD-248	Fluid Collected Plate / Auffangplatte für Flüssigkeiten / Plaque de collecte de liquide	
250-1	MBS910CSD-250-1H	Stand Leg (front) / Standfuß (vorne) / Jambe de montant (avant)	
250-2	MBS910CSD-250-2H	Stand Leg(Right)(Left) / Standfuß (rechts (links) / Jambe de montant (droite) (gauche)	
253	TS-2208021	Hex. Head Screw / Sechskantschraube / Vis à tête hexagonale	M8x20L
254	TS-1550061	Washer / Unterlegscheibe / Rondelle	M8
255	TS-2311081	Hex. Nut / Sechskantmutter / Ecrou hexagonal	M8
282	MBS910CSD-282	Knob / Knopf / Bouton	
283	MBS910CSD-283	Hex. Socket Head Screw / Innensechskantschraube / Vis à six pans creux	M8X15L
294-1	MBS910CSD-294-1	Brush / Support Bürstenaufleger / Support de balai	
294-2	MBS910CSD-294-2	Brush / Bürste / Balai	
294-3	TS-1482061	Hex. Head Screw / Sechskantschraube / Vis à tête hexagonale	M6x30L
294-4	MBS910CSD-294-4	Washer Unterlegscheibe / Rondelle	ø6.5Xø18Xt1.5mm
294-5	MBS910CSD-294-5	Hex. Nut / Sechskantmutter / Ecrou hexagonal	M6
294-6	TS-1550041	Washer / Unterlegscheibe / Rondelle	M6
294-7	TS-1503021	Hex. Socket Head Screw / Innensechskantschraube / Vis à six pans creux	M6x10L
298	MBS910CSD-298	Hex. Socket Head Screw / Innensechskantschraube / Vis à six pans creux	M10X75L
300	MBS910CS-95	Hydraulic Cylinder Assembly / Hydraulischer Zylinderzusammenbau/ Assemblage de Cylindre Hydraulique	
301	MBS910CSD-301	Hex. Socket Head Screw / Innensechskantschraube / Vis à six pans creux	M10X100L
321	MBS910CSD-321	Down Bracket / Untere Halterung / Support descendant	
322	MBS910CSD-322	Limit Switch / Endschalter / Commutateur de fin de course	
323	TS-1501081	Hex. Socket Head Screw / Innensechskantschraube / Vis à six pans creux	M4X30L
323-1	TS-1550021	Washer / Unterlegscheibe / Rondelle	M4
323-2	TS-1540021	Hex. Nut / Sechskantmutter / Ecrou hexagonal	M4

ELECTRICAL DIAGRAM / ELEKTRISCHE ANLAGE / SCHÉMA ÉLECTRIQUE



270/270DR		SCHEDULE OF ELECTRICAL EQUIPMENT		
Parts umber	Item.	Designation and function	Technical data	QTY
ET1157	M1	Contactør		1
MET1844	FU1	Fuse base		1
MET1820	FUSE	FU1-2A		1
MET1324	TC	Transformer	CE20VA 6,0,230V/400V,0,24V	1
MET1415	L	Power light		1
MET2007	FR	Over Load For 270	2,9A----4A	1
MET1222-1	SA3	Hand-Auto Switch		1
MET1758	SA1	Power switch		1
MET2520-3	SA2	Inverter		1
MET1245	SB1	Emergency stop button	HY-57B	1
MET1218-1	SB2	Start Switch		1
MET1127	KA	Relay		1
MET1616	SQ1	Cover Limit switch		1
MET1244	SB3	Push Limit Switch		1
MET1630	SQ2	Tension Limit Switch		1
MET1631	SQ3	Lower Limit Switch		1
MET1127	KA	Relay		1



## ENVIRONMENTAL PROTECTION

Protect the environment.

Your appliance contains valuable materials which can be recovered or recycled. Please leave it at a specialized institution.



This symbol indicates separate collection for electrical and electronic equipment required under the WEEE Directive (Directive 2012/19/EC) and is effective only within the European Union.

---

### UMWELTSCHUTZ

Schützen Sie die Umwelt!

Ihr Gerät enthält mehrere unterschiedliche, wiederverwertbare Werkstoffe.

Bitte entsorgen Sie es nur an einer spezialisierten Entsorgungsstelle.



Dieses Symbol verweist auf die getrennte Sammlung von Elektro- und Elektronikgeräten, gemäß Forderung der WEEE-Richtlinie (2012/19/EU). Diese Richtlinie ist nur innerhalb der Europäischen Union wirksam.

---

### PROTECTION DE L'ENVIRONNEMENT

Protégez l'environnement !

Votre appareil comprend plusieurs matières premières différentes et recyclables. Pour éliminer l'appareil usagé, veuillez l'apporter dans un centre spécialisé de recyclage des appareils électriques.



Ce symbole indique une collecte séparée des équipements électriques et électroniques conformément à la directive DEEE (2012/19/UE). Cette directive n'est efficace que dans l'Union européenne.





## WARRANTY / GARANTIE

TOOL FRANCE guarantees that the supplied product(s) is/are free from material defects and manufacturing faults.

This warranty does not cover any defects which are caused, either directly or indirectly, by incorrect use, carelessness, damage due to accidents, repairs or inadequate maintenance or cleaning as well as normal wear and tear.

Further details on warranty (e.g. warranty period) can be found in the General Terms and Conditions (GTC) that are an integral part of the contract.

These GTC may be viewed on the website of your dealer or sent to you upon request.

TOOL FRANCE reserves the right to make changes to the product and accessories at any time.

---

TOOL FRANCE garantiert, dass das/die von ihr gelieferte/n Produkt/e frei von Material- und Herstellungsfehlern ist.

Diese Garantie deckt keinerlei Mängel, Schäden und Fehler ab, die - direkt oder indirekt - durch falsche oder nicht sachgemäße Verwendung, Fahrlässigkeit, Unfallschäden, Reparaturen oder unzureichende Wartungs- oder Reinigungsarbeiten sowie durch natürliche Abnutzung durch den Gebrauch verursacht werden.

Weitere Einzelheiten zur Garan können den allgemeinen Geschäftsbedingungen (AGB) entnommen werden.

Diese können Ihnen auf Wunsch per Post oder Mail zugesendet werden.

TOOL FRANCE behält sich das Recht vor, jederzeit Änderungen am Produkt und am Zubehör vorzunehmen.

---

TOOL FRANCE garantit que le/les produit(s) fourni(s) est/sont exempt(s) de défauts matériels et de défauts de fabrication.

Cette garantie ne couvre pas les défauts, dommages et défaillances causés, directement ou indirectement, par l'utilisation incorrecte ou inadéquate, la négligence, les dommages accidentels, la réparation, la maintenance ou le nettoyage incorrects et l'usure normale.

Vous pouvez trouver de plus amples détails sur la garantie dans les conditions générales (CG).

Les CG peuvent être envoyées sur demande par poste ou par e-mail.

TOOL FRANCE se réserve le droit d'effectuer des changements sur le produit et les accessoires à tout moment.

# UK DECLARATION OF CONFORMITY

Edition March 2024

Product:

**METAL BAND SAW**

Model:

**SX-823DGB**

Brand:

**PROMAC**

Manufacturer or authorized representative:

**TOOL FRANCE**

Unit 1a Stepnell Park

Off Lawford Road

Rugby

CV212UX

United Kingdom

We hereby declare that this product complies with the regulations:

**SUPPLY OF MACHINERY (SAFETY) REGULATIONS 2008**  
**ELECTROMAGNETIC COMPATIBILITY REGULATIONS 2016**

Designed in consideration of the standards:

**EN ISO 12100:2010**

**EN 60204-1:2018**

**EN ISO 16093:2017**

Responsible for the documentation / Dokumentations-Verantwortung / Responsable de la documentation :



**JÉRÔME GERMAIN**

GENERAL MANAGER

DIRECTEUR GÉNÉRAL

**N° de série / serial number :**

At lisses / Hergestellt in / Fait à Lisses

Date :

**CE-CONFORMITY DECLARATION  
CE-KONFORMITÄTSERKLÄRUNG  
DÉCLARATION DE CONFORMITÉ CE**

Edition March 2024

Product/Produkt/Produit:

Metal band saw / Metallbandsäge / Scie à ruban portable

**SX-823DGB**

Brand/Marke/Marque:

**PROMAC**

Manufacturer or authorized representative/Hersteller oder Bevollmächtigter/Fabricant ou son mandataire:

**TOOL FRANCE**

9 Rue des Pyrénées, 91090 LISSES, France

We hereby declare that this product complies with the regulations  
Wir erklären hiermit, dass dieses Produkt der folgenden Richtlinie entspricht  
Par la présente, nous déclarons que ce produit correspond aux directives suivantes

**2006/42/EC**

Machinery Directive / Maschinenrichtlinie / Directive Machines

**2014/30/EU**

electromagnetic compatibility / elektromagnetische Verträglichkeit / compatibilité électromagnétique

designed in consideration of the standards  
und entsprechend folgender zusätzlicher Normen entwickelt wurde  
et été développé dans le respect des normes complémentaires suivantes

**EN ISO 12100:2010**

**EN 13898:2003+A1:2009**

**EN 60204-1:2006+A1:2009**

**EN 61000-6-2:2005**

**EN 61000-6-4:2007+A1:2011**

Original instruction manual / Original-Bedienungsanleitung / Notice d'instruction Originale  
Responsible for the documentation / Dokumentations-Verantwortung / Responsable de la documentation :



**JÉRÔME GERMAIN**  
GENERAL MANAGER  
DIRECTEUR GÉNÉRAL

**N° de série / serial number :**

At lisses / Hergestellt in / Fait à Lisses

Date :