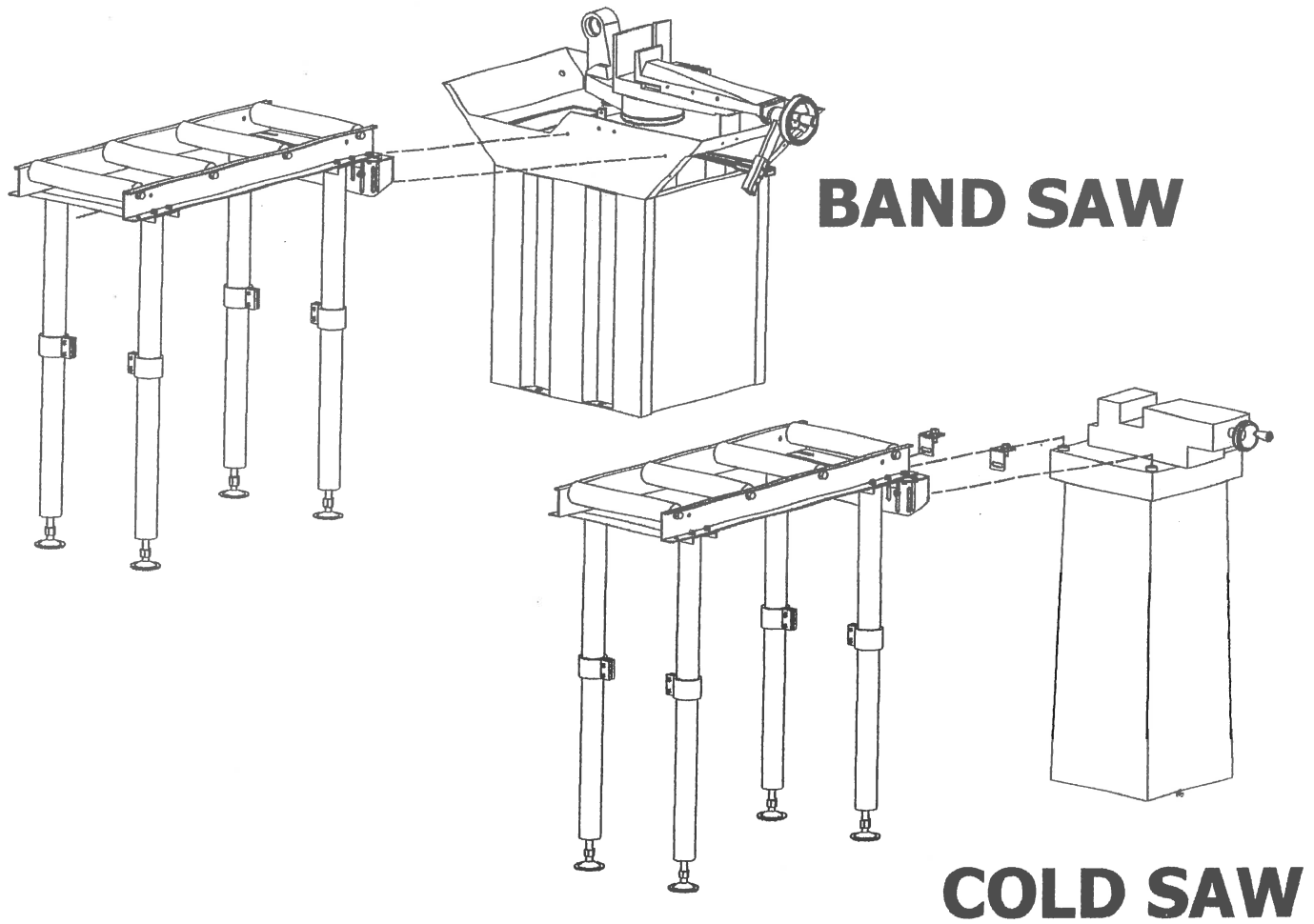
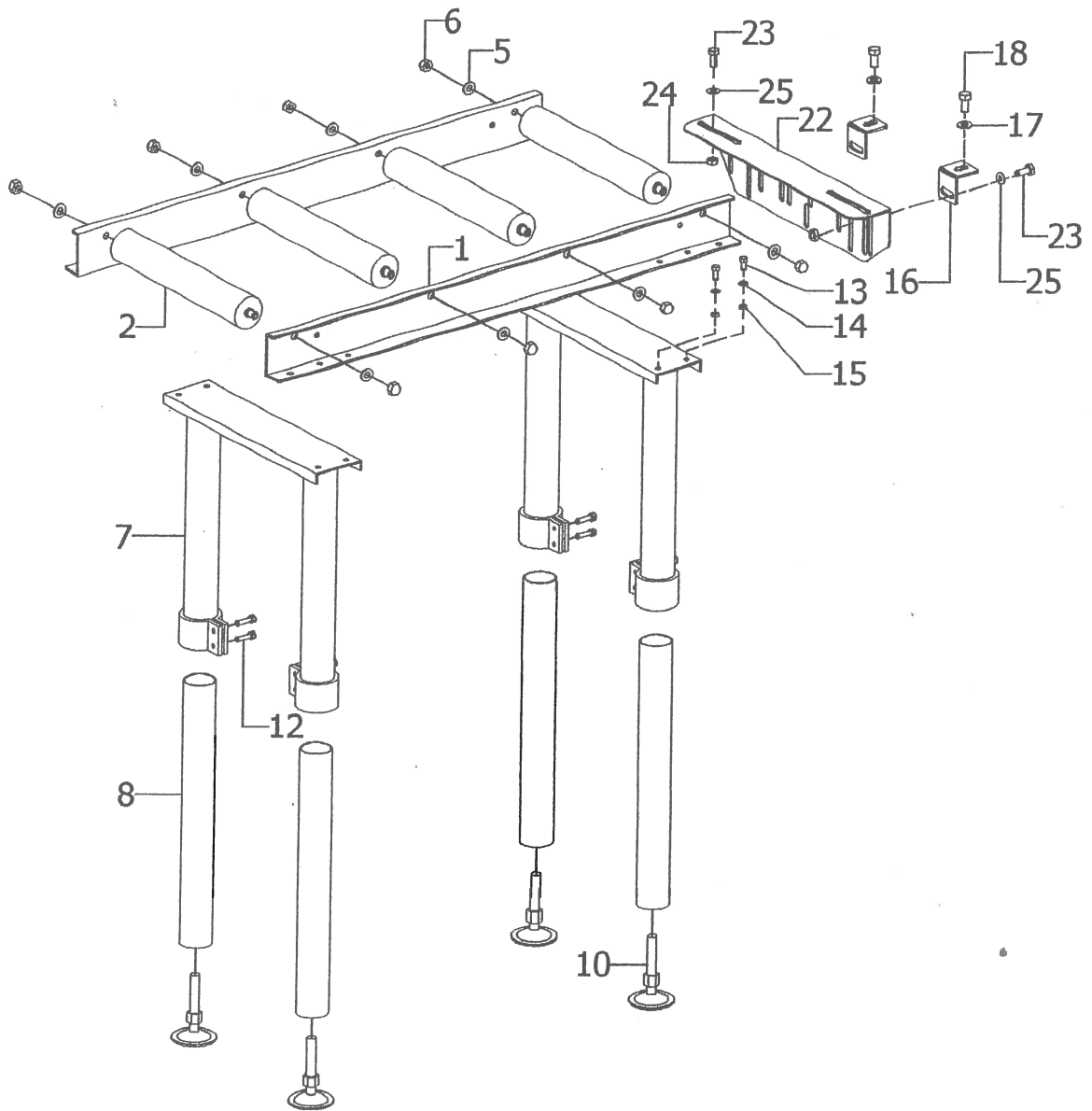


# J E T. 2017C



1	MODEL	2017C FEEDING TABLE	7	FEET	2 PAIR
2	LENGTH	2 METERS	8	HEIGHT(ADJUSTABLE RANGE)	650-950 MM
3	WIDTH	450MM	9	WDIGHT	63/68 KG
4	LOADING CAPACITY	700KG	10	ROLLER LENGHT	362 MM
5	ROOLLER'S DIA	60MM	11	ROLLER CENTER DISTANCE	272 MM
6	NO OF ROLLERS	8 PCS	12	DIMENSION	2200*500*200MM

# JET. 2017C



NO	PARTS NAME	Q'TY	NO	PARTS NAME	Q'TY
1	ARM PLATE	2	13	SCREW M8	8
2	CYLINDER	8	14	WASHER Ø8	8
5	WASHER Ø12	16	15	NUT M8	8
6	NUT M12	16	16	PLATE	2
7	ARM	2	17	WASHER Ø12	2
8	LOWER ARM	4	18	SCREW M12	2
9		4	22	CONNECTION PI	1
10	PAD	4	23	SCREW M10	6
11		4	24	NUT M10	6
12	SCREW M8	8	25	WASHER Ø10	6