



947VA

METAL LATHE

BD-947VA-M.....~230V, 50Hz

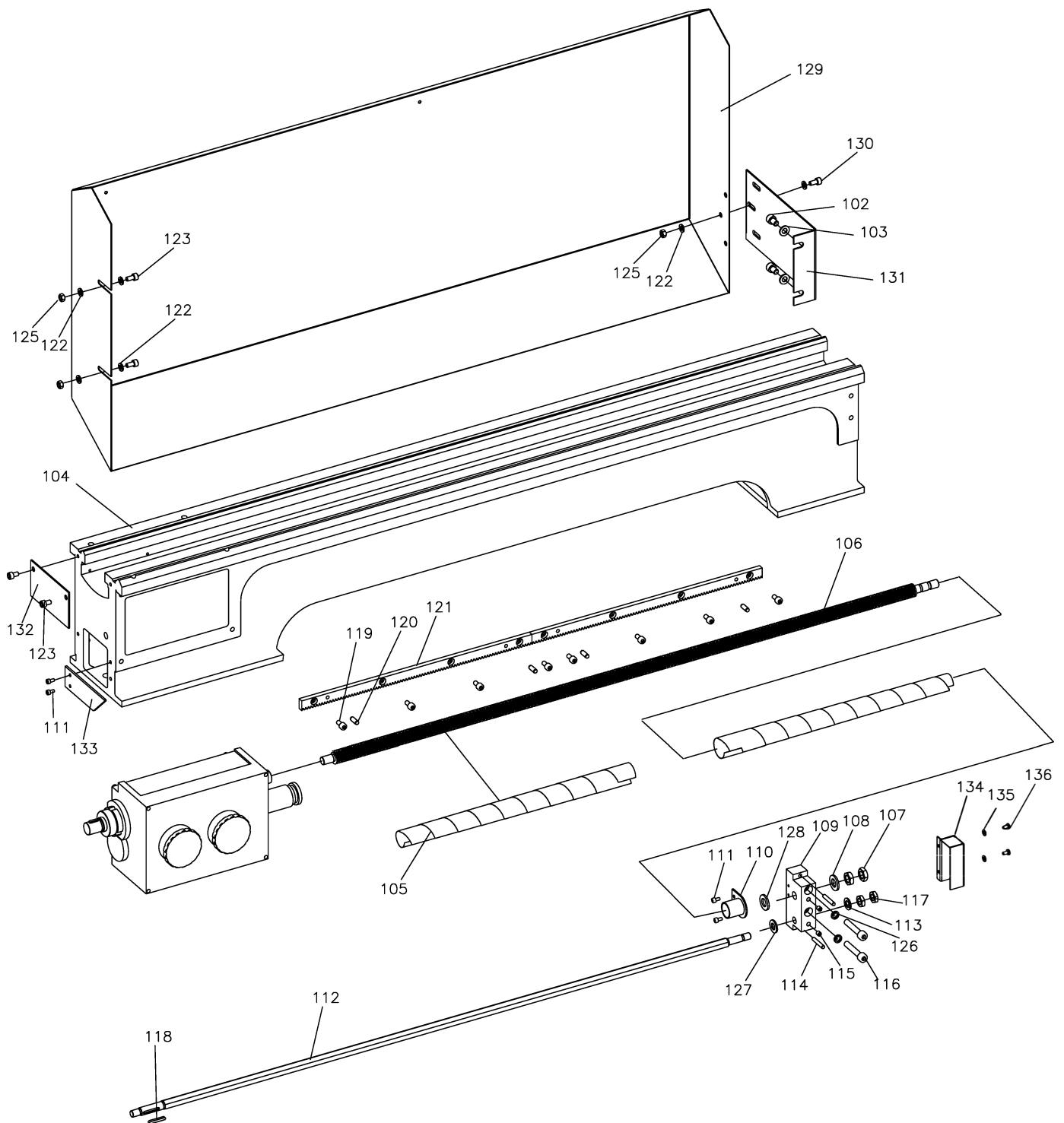
PARTS LIST



Schweiz / Suisse
JPW (TOOL) AG
Tämperlistrasse 5
CH-8117 Fällanden Switzerland
www.promac.ch

France
TOOL France / PROMAC
57, rue du Bois Chaland, Z.I. du Bois Chaland
case postale 2935 FR-91029 Evry Cedex
www.promac.fr

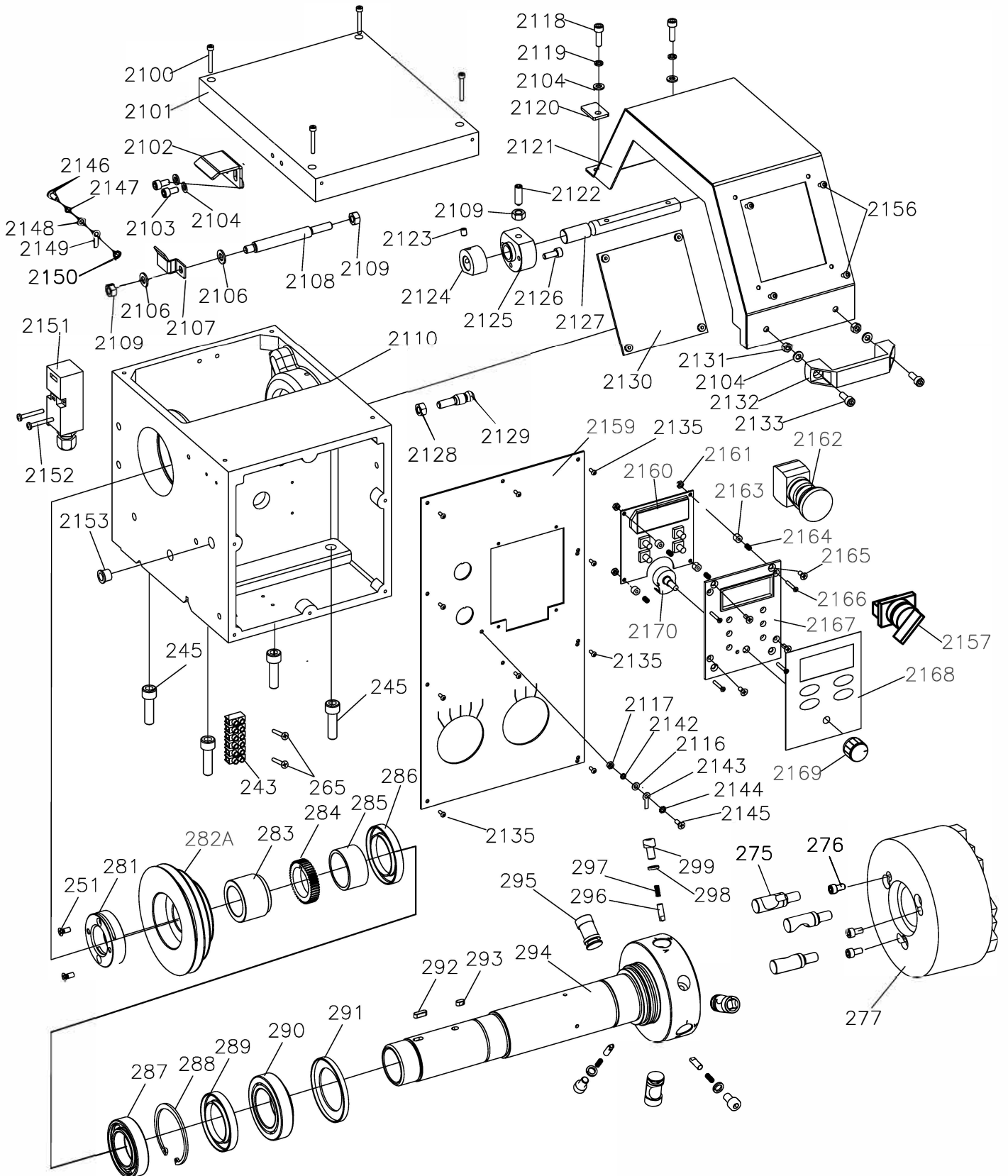
Parts Breakdown For 947VA Metal Lathe



Part List for 947VA Metal Lathe

No.	Part no.	Description	Size	Qty.
102	947VA-102	Hexagonal socket cylindrical head screw	M8 X 12	2
103	947VA-103	Flat washer		2
104	947VA-104	bed way		1
105	947VA-105	Elastic leadscrew cover		2
106	947VA-106	Leadscrew		1
107	947VA-107	Hexagon thin nuts	M10	2
108	947VA-108	Flat washer	12	1
109	947VA-109	Leadscrew support		1
110	947VA-110	Small support		1
111	947VA-111	Hexagonal socket cylindrical head screw	M4 X 8	2
112	947VA-112	feed rod		1
113	947VA-113	Flat washer	10	1
114	947VA-114	B type cylindrilac pin	H8 X 30	2
115	947VA-115	Oil cup	Φ6	2
116	947VA-116	Hexagonal socket cylindrical head screw	M8 X 45	2
117	947VA-117	Hexagon thin nuts	M12	2
118	947VA-118	Flat washer	A 4 X 4 X 28	2
119	947VA-119	Hexagonal socket cylindrical head screw	M6 X 12	8
120	947VA-120	B type cylindrilac pin	6 H8 X 16	4
121	947VA-121	Rack		2
122	947VA-122	Flat washer	6	4
123	947VA-123	B type cylindrilac pin	M6 X 12	2
124	947VA-124	Hexagonal nut	M6	2
125	947VA-125	Spring washer	8	2
126	947VA-126	Flat washer	10	1
127	947VA-127	Flat washer	12	1
128	947VA-128	Protect board		1
129	947VA-129	Hexagonal socket cylindrical head screw	M6 X 16	3
130	947VA-130	Fixed protect board		1
131	947VA-131	Square plate		1
132	947VA-132	Square plate		1
133	947VA-133	Plate		1
134	947VA-134	Cover for nut of leadscrew		1
135	947VA-135	Flate washer	4	2
136	947VA-136	Cross recessed countersunk head screws	M4X8	2

Parts Breakdown For 947VA Metal Lathe



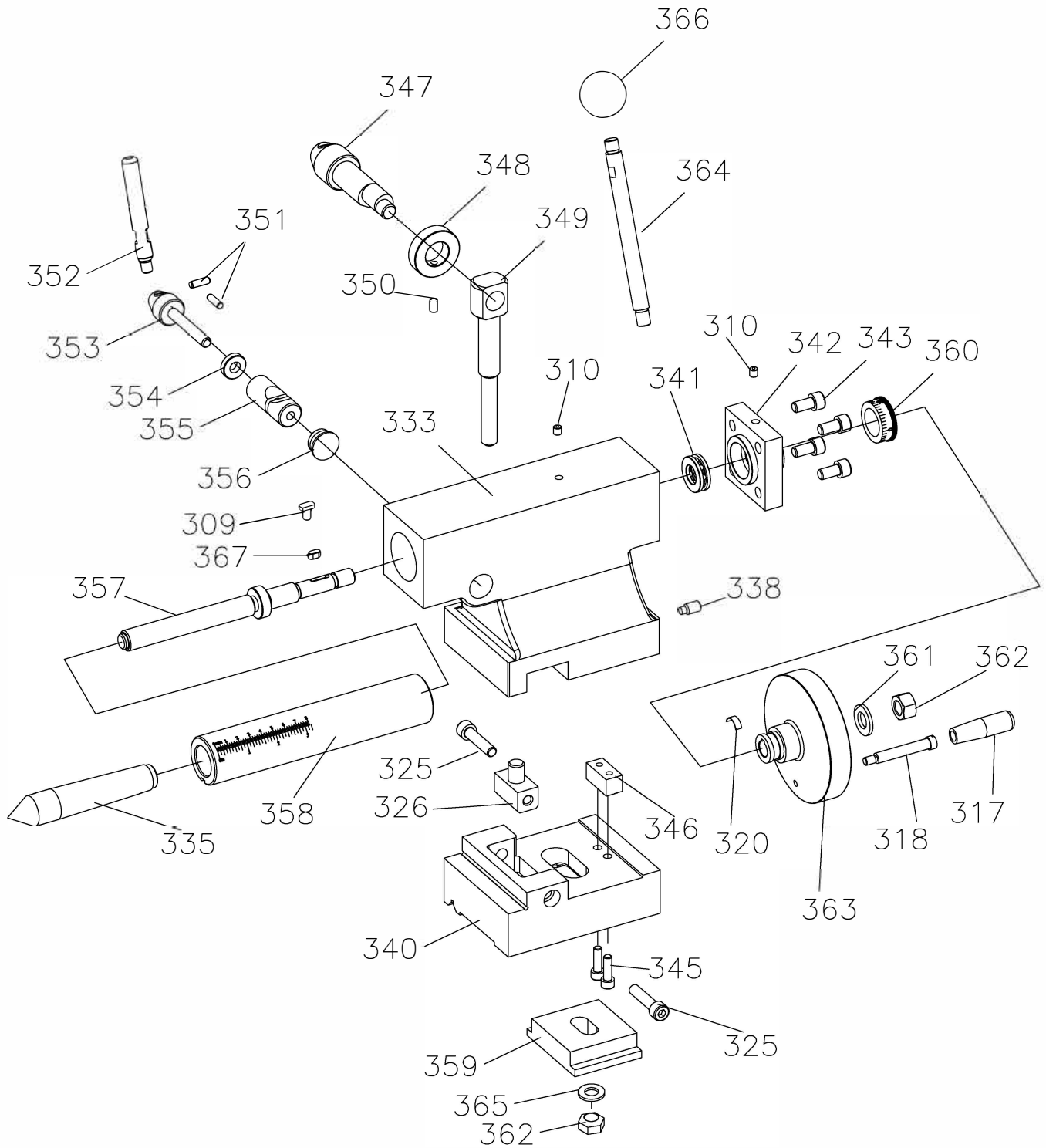
Part List for 947VA Metal Lathe

No.	Part no.	Description	Size	Qty.
243	947VA-243	Terminal		2
245	947VA-245	Hexagonal socket cylindrical head screw	M10 X 35	4
251	947VA-251	Cross countersunk head screw	M5 X 12	2
265	947VA-265	Cross countersunk head screw	M2.5 X 14	4
275	947VA-275	Draw bar		3
276	947VA-276	Hexagonal socket cylindrical head screw	M6X 10	3
277	947VA-277	3 - jaw chuck	160mm	1
281	947VA-281	Spindle lock nut		1
282A	947VA-282A	Spindle pulley		1
283	947VA-283	Spindle spacer		1
284	947VA-284	Spindle gear		1
285	947VA-285	Spindle spacer		1
286	947VA-286	Oil seal ring (back)		1
287	947VA-287	Rolling bearing		1
288	947VA-288	Circlip for hole;		1
289	947VA-289	Oil seal ring (back)		1
290	947VA-290	Rolling bearing		1
291	947VA-291	Oil seal ring (front)		1
292	947VA-292	Flat key	6 X 6 X 12	1
293	947VA-293	Flat key	6 X 6 X 8	1
294	947VA-294	Spindle		1
295	947VA-295	Cam for jaw chuck		3
296	947VA-296	Positioning pin for chuck		3
297	947VA-297	Spring		3
298	947VA-298	Elastic washer	8	3
299	947VA-299	Hexagonal socket cylindrical head screw	M8 X 14	3
2100	947VA-2100	Hexagonal socket cylindrical head screw	M5 X 35	4
2101	947VA-2101	Cover of spindle box		1
2102	947VA-2102	Adjustable stop		1
2103	947VA-2103	Hexagonal socket cylindrical head screw	M6 X 12	2
2104	947VA-2104	Flat washer	6	4
2106	947VA-2106	Flat washer	8	2
2107	947VA-2107	Door lock		1
2108	947VA-2108	Control bar for door lock		1
2109	947VA-2109	Hexagonal nut	M8	3
2110	947VA-2110	Square spindle box		1
2116	947VA-2116	Flat washer	4	1
2117	947VA-2117	Hexagonal nut	M4	1
2118	947VA-2118	Hexagonal socket cylindrical head screw	M6 X 20	2
2119	947VA-2119	Spring washer	6	2
2120	947VA-2120	Stopper		1
2121	947VA-2121	Protective cover for jaw chuck		1
2122	947VA-2122	Hexagon socket set screws with cone point	M8X25	1
2123	947VA-2123	Hexagon socket set screws with flat point	M6X8	1
2124	947VA-2124	Eccentric		1
2125	947VA-2125	Shaft seat		1
2126	947VA-2126	Hexagonal socket cylindrical head screw	M6X16	1
2127	947VA-2127	Shaft		1

Part List for 947VA Metal Lathe

No.	Part no.	Description	Size	Qty.
2128	947VA-2128	Hexagon nut	M8	1
2129	947VA-2129	Position pin		1
2130	947VA-2130	Windows		1
2131	947VA-2131	Hexagon nut	M6	2
2132	947VA-2132	Handle for jaw chuck protective cover	M6X50X20	1
2133	947VA-2133	Hexagonal socket cylindrical head screw	M6X16	2
2135	947VA-2135	Hexagonal socket round head screw	M3X8	10
2142	947VA-2142	Elastic washer	4	1
2143	947VA-2143	Earthing terminal	Φ4	1
2144	947VA-2144	External teeth lock washer	4	1
2145	947VA-2145	Cross countersunk head screw	M4X12	1
2146	947VA-2146	Pan head screws with cross recessed	M5X12	3
2147	947VA-2147	Elastic washer	5	3
2148	947VA-2148	Flat washer	5	3
2149	947VA-2149	Earthing terminal	Φ5	3
2150	947VA-2150	External teeth lock washer	5	3
2151	947VA-2151	Switch		1
2152	947VA-2152	Pan head screws with cross recessed	M4X30	2
2153	947VA-2153	Hole bushing		1
2154	947VA-2154	Flat washer	4	6
2155	947VA-2155	Hexagonal nut	M4	2
2156	947VA-2156	Hexagonal socket round head screw	M4X10	4
2157	947VA-2157	Switch		1
2159	947VA-2159	Front panel		1
2160	947VA-2160	Touch panel		1
2161	947VA-2161	Hexagon nut	M3	4
2162	947VA-2162	Emergency stop switch		1
2163	947VA-2163	Plastic washer		4
2164	947VA-2164	Compression spring		4
2165	947VA-2165	Cross countersunk head screw	M4X10	4
2166	947VA-2166	Cross countersunk head screw	M3X20	4
2167	947VA-2167	Speed control panel		1
2168	947VA-2168	Button name plate	Φ30	1
2169	947VA-2169	Knob		1
2170	947VA-2170	Potentiometer		1

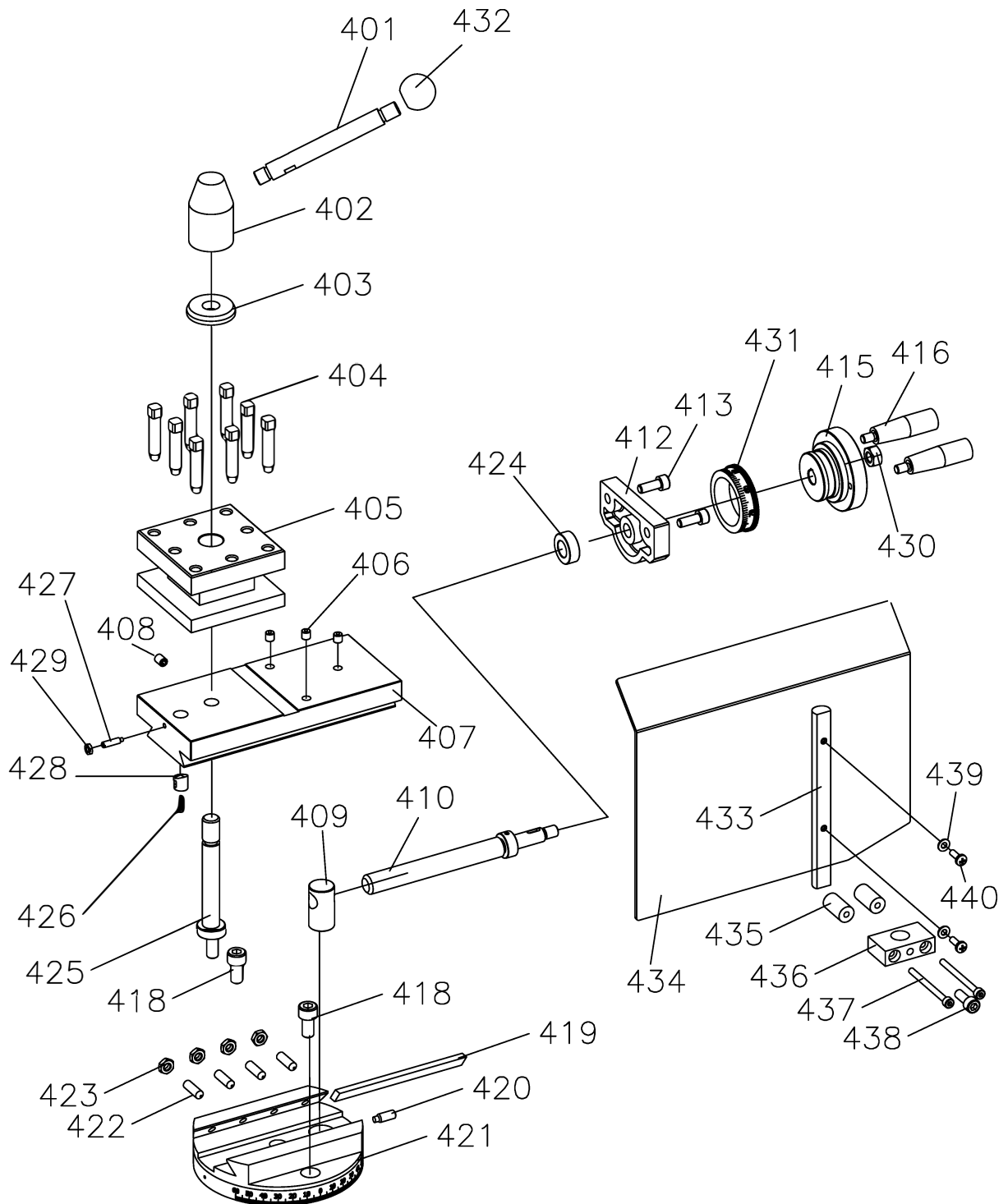
Parts Breakdown For 947VA Metal Lathe



Part List for 947VA Metal Lathe

No.	Part no.	Description	Size	Qty.
304	947VA-304	M10 bakelite ball	M10	1
309	947VA-309	T type flat key		1
310	947VA-310	Oil cup	Φ6	2
317	947VA-317	Handle sleeve		1
318	947VA-318	Handel bolt		1
320	947VA-320	Leaf spring		1
325	947VA-325	Hexagonal socket cylindrical head screw	M8 X 35	2
326	947VA-326	Nut		1
333	947VA-333	Tailstock		1
335	947VA-335	MT3 center		1
338	947VA-338	Screw	M8 X 16	1
340	947VA-340	Base		1
341	947VA-341	Bearing		1
342	947VA-342	Leadscrew support of tailstock		1
343	947VA-343	Hexagonal socket cylindrical head screw	M8 X16	4
345	947VA-345	Hexagonal socket cylindrical head screw	M6 X200	2
346	947VA-346	Stopper		1
347	947VA-347	Eccentric shaft		1
348	947VA-348	Locating ring		1
349	947VA-349	Screw		1
350	947VA-350	Screw	M6 X 100	1
351	947VA-351	B type cylindrical pin	H8 X 16	2
352	947VA-352	Handle		1
353	947VA-353	Bolt		1
354	947VA-354	Washer		1
355	947VA-355	Lock sleeve		1
356	947VA-356	Nylon buckle cover		1
357	947VA-357	Leadscrew of tailsrock		1
358	947VA-358	Sleeve of tailstock		1
359	947VA-359	Platen of tailstock		1
360	947VA-360	Dividing ring		1
361	947VA-361	Flat washer	120	1
363	947VA-363	Handle		1
364	947VA-364	Handle		1
365	947VA-365	Flat washer	120	1
366	947VA-366	Nylon lock hexagonal nut		2
367	947VA-367	Flat key	A4 X4 X4 16	1

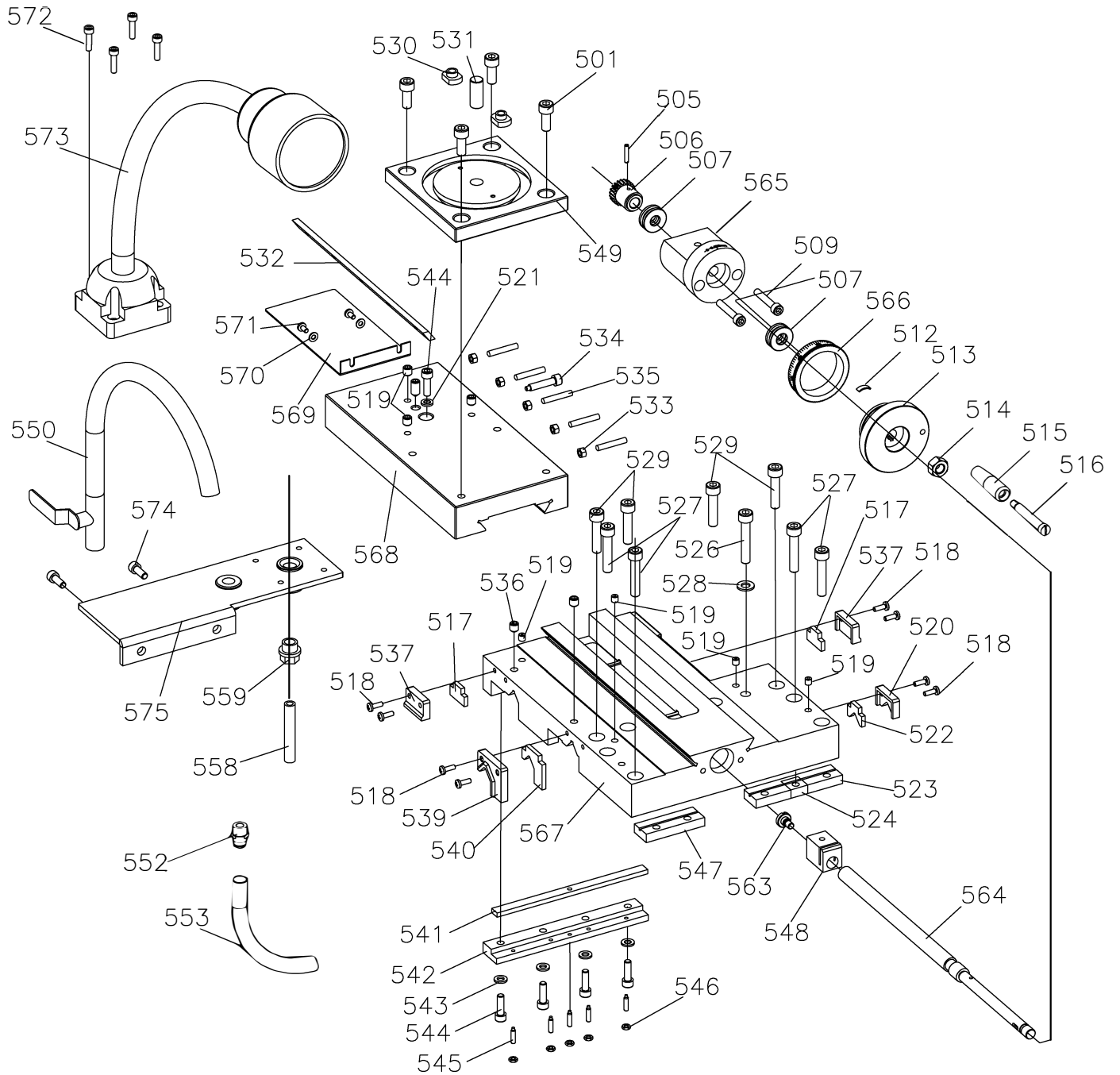
Parts Breakdown For 947VA Metal Lathe



Part List for 947VA Metal Lathe

No.	Part no.	Description	Size	Qty.
401	947VA-401	Handle		1
402	947VA-402	Lock nut of top slide		1
403	947VA-403	Lock washer of top slide		1
404	947VA-404	Square head screw	M8 X 30	8
405	947VA-405	Top slide		1
406	947VA-406	Oil cup	Φ6	3
407	947VA-407	Top slide		1
408	947VA-408	Hexagon socket set screws with taper point	M6 X10	1
409	947VA-409	Leadscrew nut of top slide		1
410	947VA-410	Leadscrew of top slide		1
411	947VA-411	Elastic cylindrical pin	3 X16	1
412	947VA-412	Leadscrew support of top slide		1
413	947VA-413	Hexagonal socket cylindrical head screw	M6 X16	2
415	947VA-415	Handle of top slide		1
416	947VA-416	Handle sleeve		2
417	947VA-417	Handle bolt		2
418	947VA-418	Hexagonal socket cylindrical head screw	M8 X 16	2
419	947VA-419	Gib		1
420	947VA-420	Hexagon socket set screws with dog point	M6 X16	1
421	947VA-421	Rotary table of top slide		1
422	947VA-422	Hexagon socket set screws with taper point	M6 X20	4
423	947VA-423	Hexagon thin nut	M6	4
424	947VA-424	Leadscrew sleeve of top slide		1
425	947VA-425	Lock bolt of top slide		1
426	947VA-426	Spring		1
427	947VA-427	Slotted set screws with full dog point	M4 X 16	1
428	947VA-428	Hexagonal thin nut	M4	1
429	947VA-429	Positioning pin		1
430	947VA-430	Hexagonal nut	M8	1
431	947VA-431	Scale ring		1
432	947VA-432	M10 Ball	M10 x φ35	1
433	947VA-433	Shaft		1
434	947VA-434	Protection cover for tool post		1
435	947VA-435	Washer		2
436	947VA-436	Pad block		1
437	947VA-437	Hex cylinder head screw	M4X50	2
438	947VA-438	Hex cylinder head screw	M6X16	1
439	947VA-439	Flat washer	4	2
440	947VA-440	Cross recessed countersunk head screws	M4X12	2

Parts Breakdown For 947VA Metal Lathe



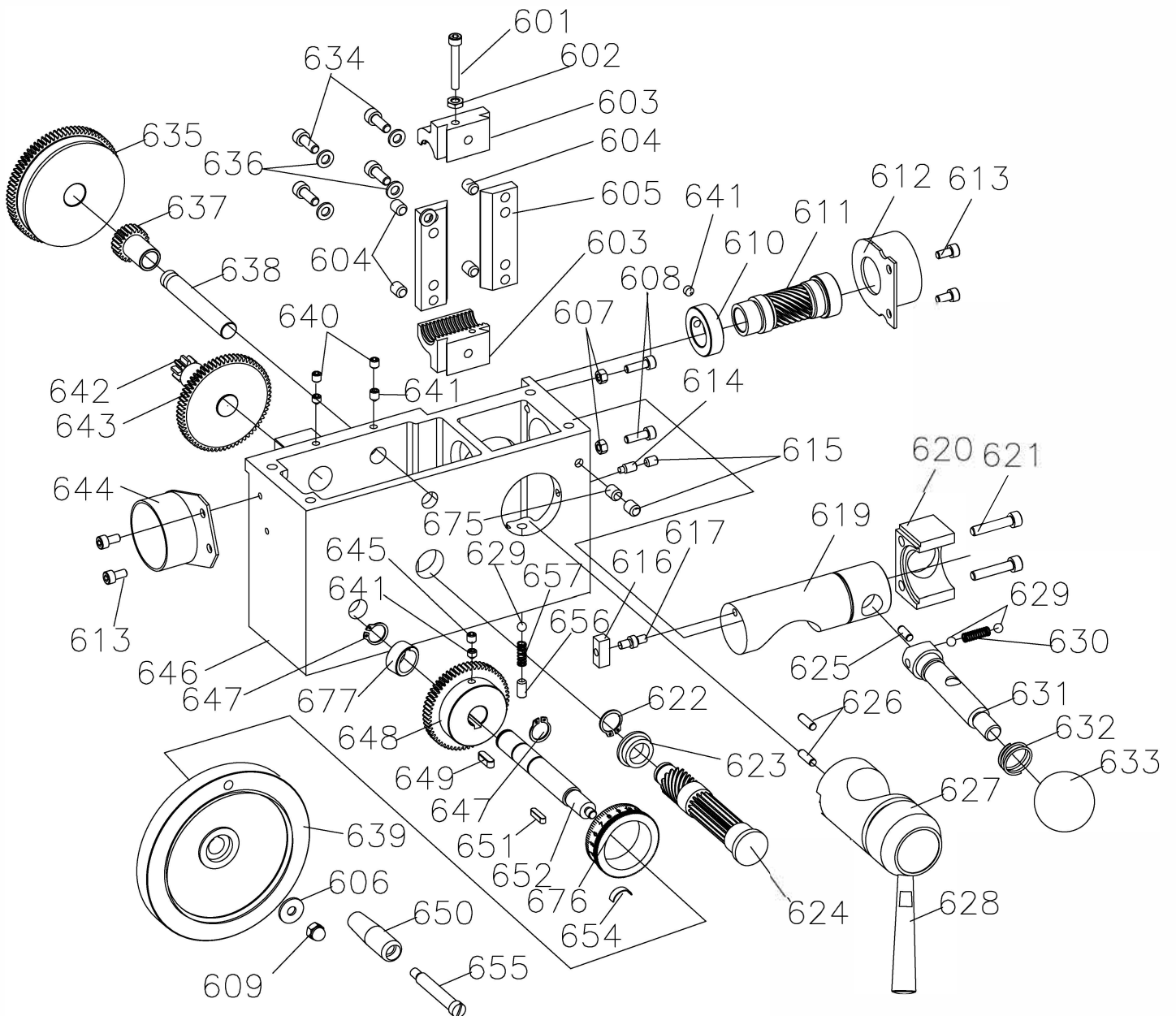
Part List for 947VA Metal Lathe

No.	Part no.	Description	Size	Qty.
501	947VA-501	Hexagonal socket cylindrical head screw	M8 X 20	4
503	947VA-503	T type nut		4
505	947VA-505	Elastic cylindrical pin	3 X 18	1
506	947VA-506	Gear Z22		1
507	947VA-507	Thrust ball bearing		2
508	947VA-508	Leadscrew support		2
509	947VA-509	Hexagonal socket cylindrical head screw	M6 X 35	1
510	947VA-510	Hexagon socket set screws with taper point	M8 X 16	1
513	947VA-513	Hand wheel		1
514	947VA-514	Hexagonal nut	M10	1
515	947VA-515	Handle sleeve		1
516	947VA-516	Handle bolt		1
517	947VA-517	Felt		2
518	947VA-518	Pan head screws with cross recessed	M4 X 12	8
519	947VA-519	Oil cup		4
520	947VA-520	Protect board		1
521	947VA-521	Flat washer	6	1
522	947VA-522	Felt		1
523	947VA-523	Right front plate		1
524	947VA-524	Lock plate		1
526	947VA-526	Hexagonal socket cylindrical head screw	M8 X 45	1
527	947VA-527	Hexagonal socket cylindrical head screw	M8 X 40	4
528	947VA-528	Flat washer	8	1
529	947VA-529	Hexagonal socket cylindrical head screw	M8 X 35	4
530	947VA-530	T nut		2
531	947VA-531	Shaft of rotary table for top slide		1
532	947VA-532	Gib		1
533	947VA-533	Hexagonal nut	M5	5
534	947VA-534	screw		1
535	947VA-535	Hexagon socket set screws with taper point	M5 X 30	5
536	947VA-536	Hexagon socket set screws with flat point	M8 X 8	2
537	947VA-537	Protect board		2
539	947VA-539	Protect board		1
540	947VA-540	Felt		1
541	947VA-541	Gib		1
542	947VA-542	Back plate		2
543	947VA-543	Flat washer	6	4
544	947VA-544	Hexagon socket set screws with taper point	M6 X 20	5
545	947VA-545	Slotted set screws with full dog point	M4 X 16	5
546	947VA-546	Hexagonal thin nut	M4	5
547	947VA-547	Left front plate		1
548	947VA-548	Leadscrew nut		1
549	947VA-549	Base of rotary table for top slide		1
550	947VA-550	Adjustable cooling plastic pipe		1
552	947VA-552	Joint		1
553	947VA-553	PVC hose		1
558	947VA-558	Corrugated pipe	Φ6	1
559	947VA-559	Corrugated pipe joint	Φ6 M14X1.5	1

Part List for 947VA Metal Lathe

No.	Part no.	Description	Size	Qty.
563	947VA-563	Attachment screw for leadscrew		1
564	947VA-564	Long leadscrew for saddle		1
565	947VA-565	Long leadscrew support		1
566	947VA-566	Sacale ring		1
567	947VA-567	Saddle		1
568	947VA-568	Cross slide		1
569	947VA-569	Extension plate		1
570	947VA-570	Flat washer	4	2
571	947VA-571	Cross recessed round head screws	M4 X 8	2
572	947VA-572	Hexagonal socket cylindrical head screw	M5 X 20	4
573	947VA-573	Work lamp		1
574	947VA-574	Hexagonal socket cylindrical head screw	M6 X 16	2
575	947VA-575	Plate		1

Parts Breakdown For 947VA Metal Lathe



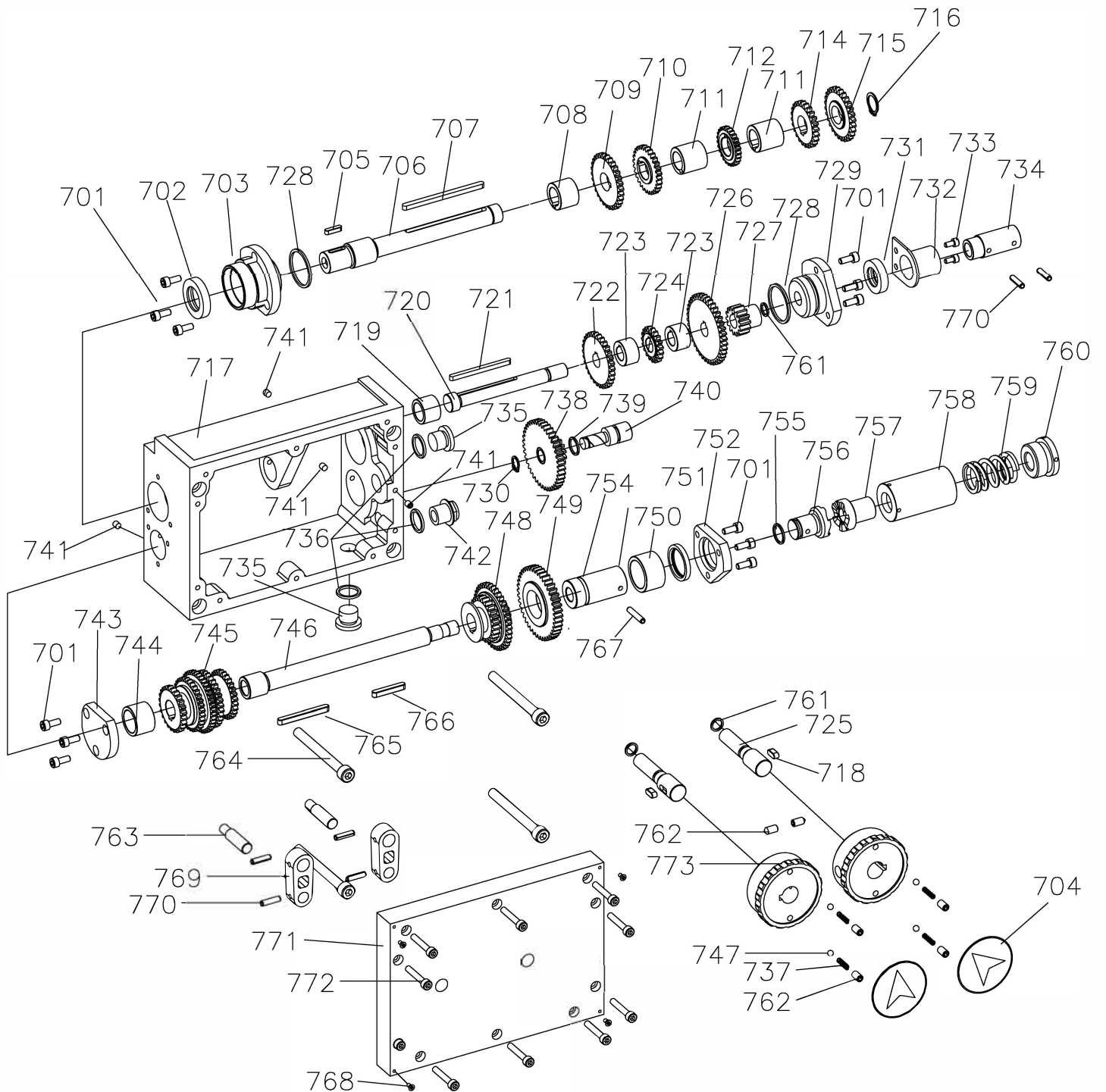
Part List for 947VA Metal Lathe

No.	Part no.	Description	Size	Qty.
601	947VA-601	Hexagonal socket cylindrical head screw	M5 X 35	1
602	947VA-602	Hexagon thin nut	M6	1
603	947VA-603	Half nut		2
604	947VA-604	Hexagon socket set screws with flat point	M8 X 10	4
605	947VA-605	Plate		2
606	947VA-606	Flat washer	6	1
607	947VA-607	Hexagonal nut	M5	2
608	947VA-608	Hexagonal socket cylindrical head screw	M5 X 16	2
609	947VA-609	Nut	M6	1
610	947VA-610	Round nut		1
611	947VA-611	I shaft		1
612	947VA-612	Right support		1
613	947VA-613	Hexagonal socket cylindrical head screw	M5 X 10	4
614	947VA-614	Hexagon socket set screws with dog point	M6 X 12	1
615	947VA-615	Hexagon socket set screws with flat point	M6 X 8	2
616	947VA-616	Slide block		1
617	947VA-617	Cylindrical pin		1
619	947VA-619	Cross control shaft		1
620	947VA-620	Block		1
621	947VA-621	Hexagonal socket cylindrical head screw	M6 X 30	2
622	947VA-622	Circlip for shaft		1
623	947VA-623	Spacer		1
624	947VA-624	II shaft		1
625	947VA-625	Cylindrical pin	5H8 X 12	1
626	947VA-626	Cylindrical pin	5H8 X 16	2
627	947VA-627	Cam shaft		1
628	947VA-628	Handle		1
629	947VA-629	Steel ball	Φ6	3
630	947VA-630	Compression spring		1
631	947VA-631	Control shaft		1
632	947VA-632	Big compression spring		1
633	947VA-633	Bakelite handle		1
634	947VA-634	Hexagonal socket cylindrical head screw	M6 X 16	4
635	947VA-635	Gear Z81		1
636	947VA-636	Flat washer		4
637	947VA-637	Gear Z22		1
638	947VA-638	III shaft		1
639	947VA-639	Handle assembly		1
640	947VA-640	Hexagon socket set screws with flat point	M6 X 6	3
641	947VA-641	Hexagon socket set screws with taper point	M6 X 6	3
642	947VA-642	IV shaft		1
643	947VA-643	Gear Z67		1
644	947VA-644	Left support		1
645	947VA-645	Hexagon socket set screws with taper point	M6 X 8	1
646	947VA-646	Apron		1
647	947VA-647	Circlip for shaft		2

Part List for 947VA Metal Lathe

No.	Part no.	Descirption	Size	Qty.
648	947VA-648	Gear Z60		1
649	947VA-649	Key	A 5 X 5 X 16	1
650	947VA-650	Handle sleeve		1
651	947VA-651	Key	A 4 X 4 X 16	1
652	947VA-652	V shaft		1
654	947VA-654	Leaf spring		1
655	947VA-655	Handle bolt		1
656	947VA-656	Hexagon socket set screws with flat point	M6 X 12	1
657	947VA-657	Compression spring	C80612	1
675	947VA-675	Hexagon socket set screws with dog point	M6 X 8	1
676	947VA-676	Scale ring		1
677	947VA-677	Spacer		1

Parts Breakdown For 947VA Metal Lathe



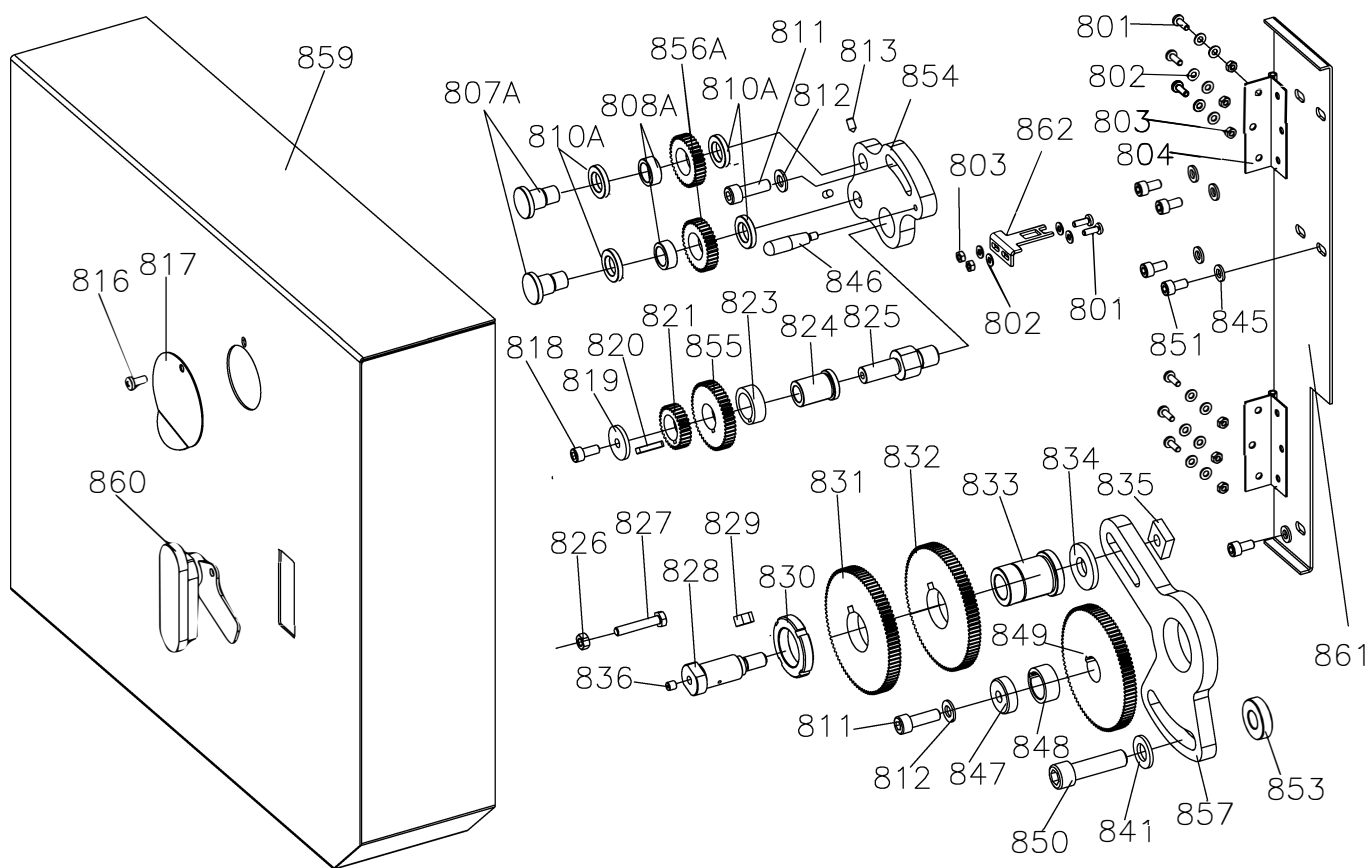
Part List for 947VA Metal Lathe

No.	Part no.	Description	Size	Qty.
701	947VA-701	Hexagonal socket cylindrical head screw	M5 X 12	12
702	947VA-702	Oil seal	22 X 35 X 7	1
703	947VA-703	End cover		1
704	947VA-704	Lable		2
705	947VA-705	Key	A 4 X 4 X 16	1
706	947VA-706	Speed II shaft		1
707	947VA-707	Key	A 5 X 5 X 80	1
708	947VA-708	II shaft spacer		1
709	947VA-709	Gera Z30		1
710	947VA-710	Gear Z28B		1
711	947VA-711	II shaft long spacer		2
712	947VA-712	Gear Z25		1
714	947VA-714	Gear Z24		1
715	947VA-715	Gear Z28A		1
716	947VA-716	Cirlip for shaft		1
717	947VA-717	Gearbox housing		1
718	947VA-718	Key	A 5 X 5 X 12	2
719	947VA-719	Intermediate sleve		1
720	947VA-720	Speed shaft III		1
721	947VA-721	Key	A 4 X 4 X 60	1
722	947VA-722	Gear Z30		1
723	947VA-723	III shaft spacer		2
724	947VA-724	Gera Z19		1
725	947VA-725	Pin		2
726	947VA-726	Gear Z40		1
727	947VA-727	Gear Z41		1
728	947VA-728	O sealing ring		2
729	947VA-729	Thick end cover		1
730	947VA-730	Cirlip for shaft		1
731	947VA-731	Oil seal	18 X 30 X7	1
732	947VA-732	small protect support		1
733	947VA-733	Hexagonal socket cylindrical head screw	M4 X 8	2
734	947VA-734	III shaft connecting sleeve		1
735	947VA-735	Oil plug	M16 X 1.5	2
736	947VA-736	O sealing ring		3
737	947VA-737	Cylindrical helical compression spring	0.7 X 4 X 25	4
738	947VA-738	Gear Z13/Z40		1
739	947VA-739	O sealing ring		1
740	947VA-740	small shaft		1
741	947VA-741	Hexagon socket set screws with tapper point	M5 X 8	4
742	947VA-742	Oil scale	M16 X 1.5	1
743	947VA-743	Blank cover		1
744	947VA-744	I shaft small bush		1
745	947VA-745	Five axis sliding gear		1
746	947VA-746	Speed shaft I		1
747	947VA-747	Steel ball	Φ5	4

Part List for 947VA Metal Lathe

No.	Part no.	Description	Size	Qty.
748	947VA-748	Gear Z24/Z16/Z28		1
749	947VA-749	Gear Z42		1
750	947VA-750	I shaft big bush		1
751	947VA-751	Oil seal	25 X 32 X 4	1
752	947VA-752	thin end cover		1
753	947VA-753	Hand wheel		2
754	947VA-754	Hollow sleeve		1
755	947VA-755	O sealing ring		1
756	947VA-756	Connecting shaft		1
757	947VA-757	Driven shaft		1
758	947VA-758	Regulating sleeve		1
759	947VA-759	Compression spring		1
760	947VA-760	Turning screw		1
761	947VA-761	O sealing ring		1
762	947VA-762	Hexagon socket set screws with taper point	M6 X 12	6
763	947VA-763	Dial pin		2
764	947VA-764	Hexagonal socket cylindrical head screw	M8 X 80	4
765	947VA-765	Key	- A 5 X 5 X 50	1
766	947VA-766	Key	- A 5 X 5 X 32	1
767	947VA-767	Elastic cylindrical pin	4 X 24	1
768	947VA-768	Cross recessed countersunk head screws	M3 X 6	4
769	947VA-769	Lever		2
770	947VA-770	Elastic cylindrical pin	4 X 18	6
771	947VA-771	Gearbox cover		1
772	947VA-772	Hexagonal socket cylindrical head screw	M5 X 30	10
773	947VA-773	Label		2

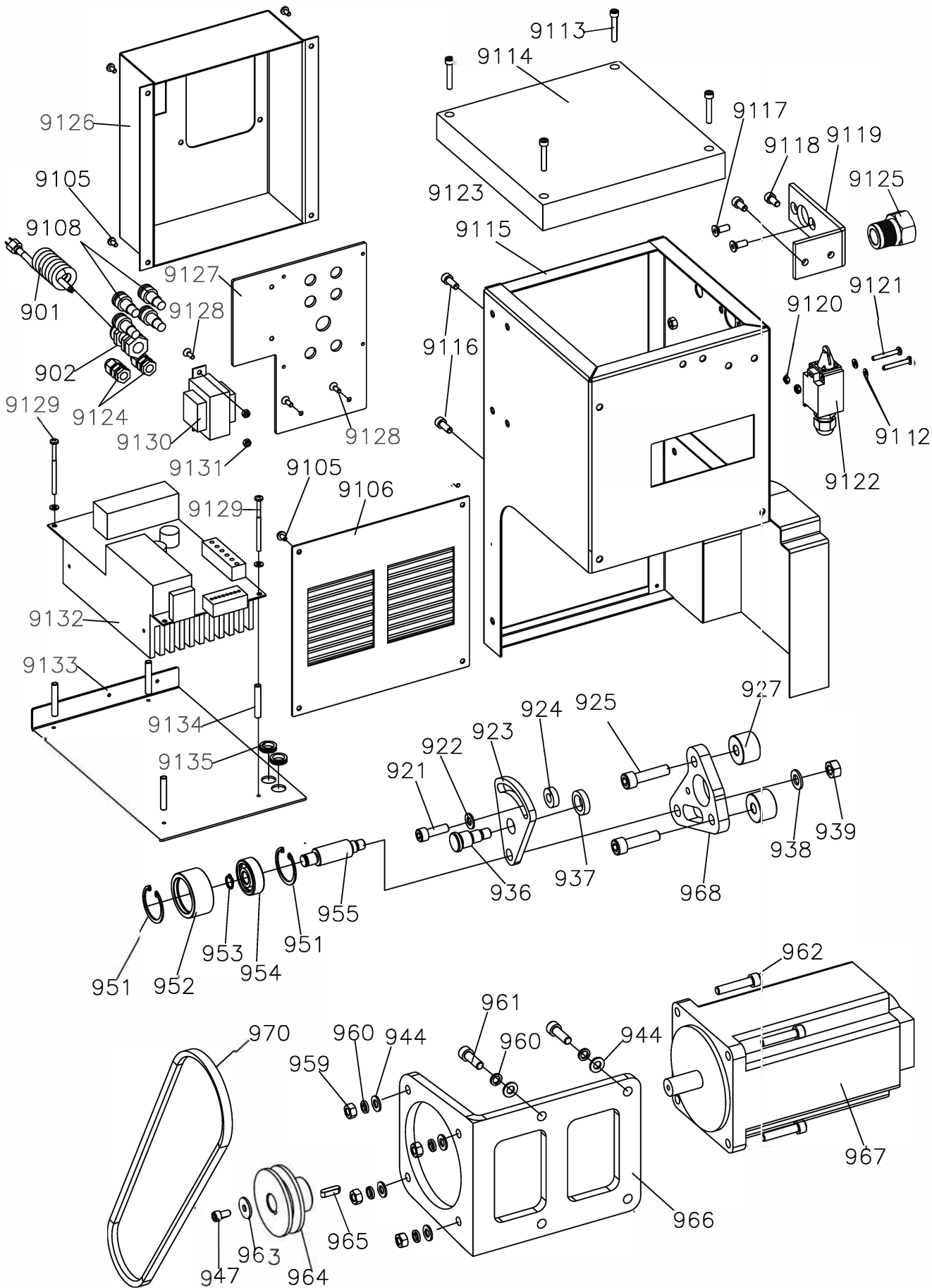
Parts Breakdown For 947VA Metal Lathe



Part List for 947VA Metal Lathe

No.	Part no.	Description	Size	Qty.
801	947VA-801	Cross recessed pan head screws	M4 X 10	8
802	947VA-802	Flat washer		16
803	947VA-803	Hexagonal nut	M4	8
804	947VA-804	3" hing		2
807A	947VA-807A	Gear shaft		2
808A	947VA-808A	Ball bearing		2
810A	947VA-810A	Big gasket		4
811	947VA-811	Hexagonal socket cylindrical head screw	M8 X 25	2
812	947VA-812	Flat washer		2
813	947VA-813	Hexagon socket set screws with tapper point	M5 X 10	1
816	947VA-816	Cross recessed pan head screws	M5 X 10	1
817	947VA-817	Dust cover		1
818	947VA-818	Hexagonal socket cylindrical head screw	M6 X 14	1
819	947VA-819	Steel filing piece		1
820	947VA-820	Key	A 4 X 4 X 22	1
821	947VA-821	Gear Z30		1
823	947VA-823	Spacer		1
824	947VA-824	Bush		1
825	947VA-825	Fixing shaft		1
826	947VA-826	Hexagonal nut	M6	1
827	947VA-827	Hexagonal bolt	M6 X 35	1
828	947VA-828	Transition shaft		1
829	947VA-829	Flat key	A 8 X 7 X 14	1
830	947VA-830	Small rount nut	M30 X 1.5	1
831	947VA-831	Gear Z86		1
832	947VA-832	Gear Z91		1
833	947VA-833	Sleeve		1
834	947VA-834	Filling piece		1
835	947VA-835	Square nut		1
836	947VA-836	Oil cup	φ6	1
841	947VA-841	Flat washer		1
845	947VA-845	Flat washer		5
846	947VA-846	Handle		1
847	947VA-847	Shoulder filing piece		1
848	947VA-848	Spacer		1
849	947VA-849	Gear Z90		1
850	947VA-850	Hexagonal socket cylindrical head screw	M12 X 45	1
851	947VA-851	Hexagonal socket cylindrical head screw	M6 X 12	5
853	947VA-853	Thick washer		1
854	947VA-854	I change gear plate		1
855	947VA-855	Gear Z65		1
856A	947VA-856A	Gear Z48		2
857	947VA-857	II change gear plate		1
859	947VA-859	Square door		1
860	947VA-860	Lock		1
861	947VA-861	Square door assembly		1
862	947VA-862	Key of door		1

Parts Breakdown For 947VA Metal Lathe



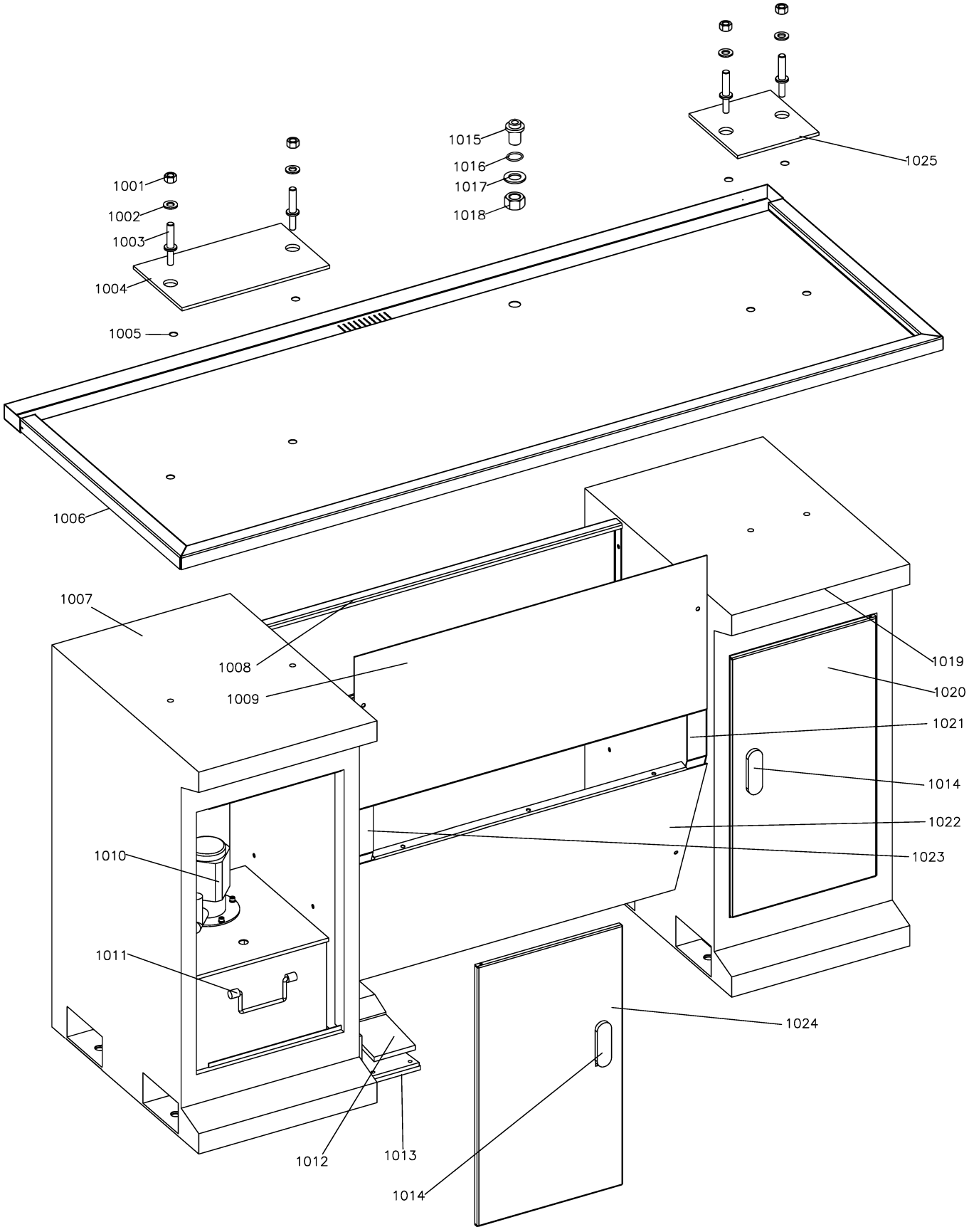
Part List for 947VA Metal Lathe

No.	Part no.	Description	Size	Qty.
901	947VA-901	Power cable		1
902	947VA-902	Lock connect	M16	1
921	947VA-921	Hexagonal socket cylindrical head screw	M8X25	1
922	947VA-922	Flat washer	8	1
923	947VA-923	Support		1
924	947VA-924	washer		1
925	947VA-925	Hexagonal socket cylindrical head screw	M10 X 40	3
927	947VA-927	Washer for pulley support		3
936	947VA-936	Pivot shaft		1
937	947VA-937	washer		1
938	947VA-938	Flat washer	10	1
939	947VA-939	Hexagonal nut	M10	1
944	947VA-944	Flat washer	8	4
947	947VA-947	Hexagonal socket cylindrical head screw	M6 X 16	1
951	947VA-951	Circlip for hole;		2
952	947VA-952	Pinch roller		1
953	947VA-953	Circlip for shaft		1
954	947VA-954	Deep groove ball bearing		1
955	947VA-955	Support shaft for pinch roller		1
959	947VA-959	Hexagon nut	M8	4
960	947VA-960	Elastic ring	8	8
961	947VA-961	Hexagonal socket cylindrical head screw	M8X25	4
962	947VA-962	Hexagonal socket cylindrical head screw	M8X40	4
963	947VA-963	Flat washer	6	1
964	947VA-964	Pulley of brushless motor		1
965	947VA-965	Square and rectangular keys	A6x6x22	1
966	947VA-966	connect plate for brushless motor		1
967	947VA-967	Brushless DC motor	1.5kW	1
968	947VA-968	Frame for pinch roller		1
970	947VA-970	V belt	O-838	1
9105	947VA-9105	Cross recessed pan head screws	M4 X 8	8
9106	947VA-9106	Down cover		1
9108	947VA-9108	Fuse holder		4
9112	947VA-9112	Flat washer	4	6
9113	947VA-9113	Hexagonal socket cylindrical head screw	M5X12	4
9114	947VA-9114	Plate for motor protective cover		
9115	947VA-9115	Welding for motor protective cover		
9116	947VA-9116	Hexagonal socket cylindrical head screw	M6X12	2
9117	947VA-9117	Hexagon socket countersunk head screws	M6X16	2
9118	947VA-9118	Hexagonal socket cylindrical head screw	M6X16	2
9119	947VA-9119	Stop-off strip		1
9120	947VA-9120	Hexagon nut	M4	2
9121	947VA-9121	Cross recessed pan head screws	M4X30	2
9122	947VA-9122	Limited switch		1
9123	947VA-9123	Transformer	230-24-9V	1
9124	947VA-9124	Lock connect	M12	2
9125	947VA-9125	Metal hose joint	M14x1.5 Φ6	1
9126	947VA-9126	Box of PC board		1

Part List for 947VA Metal Lathe

No.	Part no.	Description	Size	Qty.
9127	947VA-9127	Mounting plate for electric appliance		1
9128	947VA-9128	Cross recessed countersunk head screws	M4X12	4
9129	947VA-9129	Cross recessed pan head screws	M4X60	4
9130	947VA-9130	Transformer	230-24-10W	1
9131	947VA-9131	Hexagon nut	M4	2
9132	947VA-9132	PC board		1
9133	947VA-9133	Partition		1
9134	947VA-9134	ABS long washer		4
9135	947VA-9135	Protective ring	Φ12	2

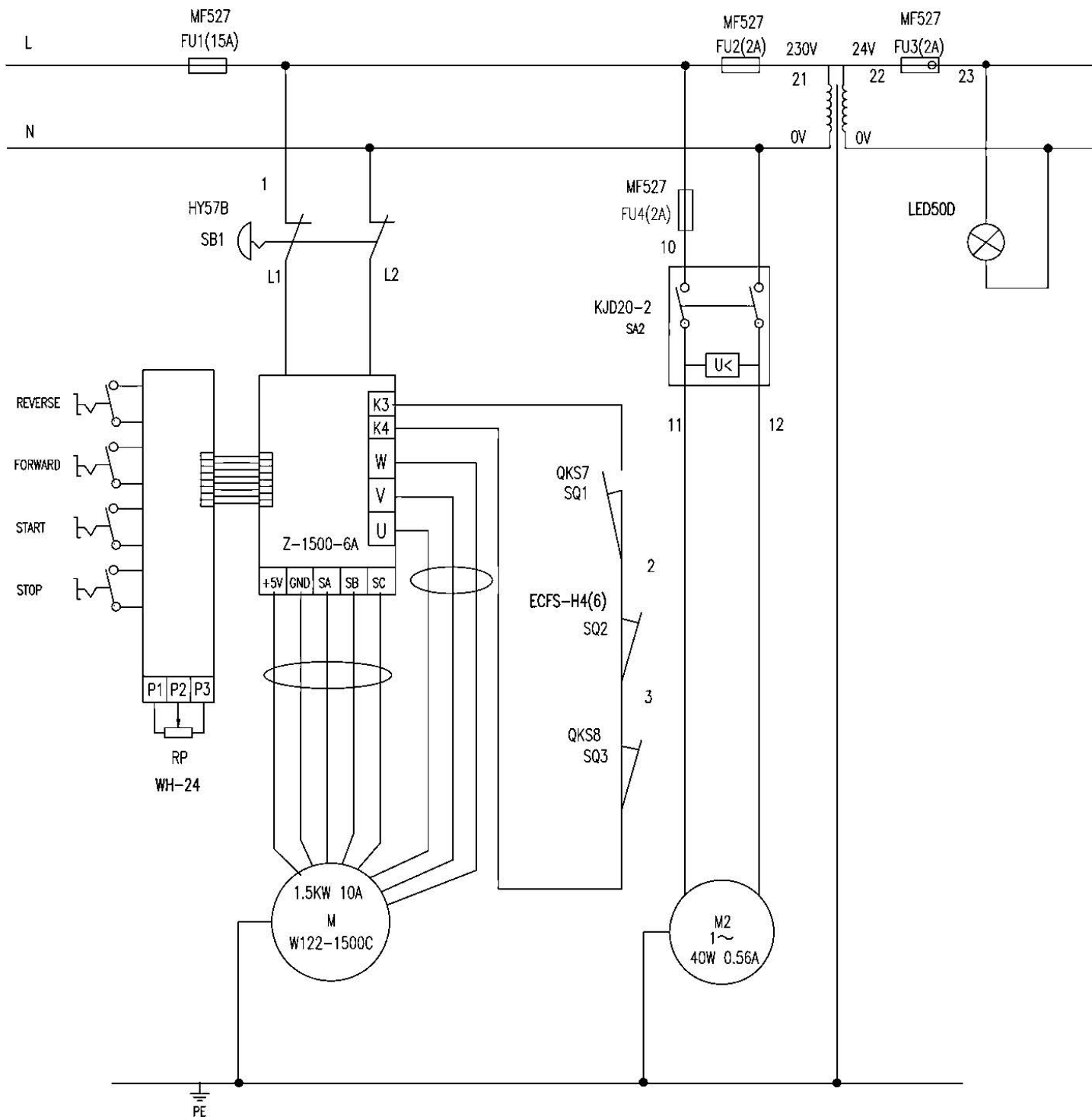
Parts Breakdown For 947VA Metal Lathe



Part List for 947VA Metal Lathe

No.	Part no.	Description	Size	Qty.
1001	947VA-1001	Hexagon screw	M12	4
1002	947VA-1002	Flat washer	12	4
1003	947VA-1003	Screw		4
1004	947VA-1004	Left mounting plate		1
1005	947VA-1005	O sealing ring	15x1.8	4
1006	947VA-1006	Oil tray		1
1007	947VA-1007	Left stand		1
1008	947VA-1008	Back connect plate		1
1009	947VA-1009	Up plate		1
1010	947VA-1010	Pump	40W	1
1011	947VA-1011	Coolant tank		1
1012	947VA-1012	Foot brake switch		1
1013	947VA-1013	Support plate of foot brake switch		1
1014	947VA-1014	Lock		2
1015	947VA-1015	Joint		1
1016	947VA-1016	O sealing ring	23X2.65	1
1017	947VA-1017	Flat washer	20	1
1018	947VA-1018	Hexagon screw	M20	1
1019	947VA-1019	Right stand		1
1020	947VA-1020	Right door		1
1021	947VA-1021	Right connect plate		1
1022	947VA-1022	Down plate		1
1023	947VA-1023	Left connect plate		1
1024	947VA-1024	Left door		1
1025	947VA-1025	Right mounting plate		1

947VA 230V / 50Hz / 1



Code of elements	Description	Type
SA2	Solenoid switch	KJD20-2
SB1	Emergency stop switch	HY57B
FU1	Fuse	MF527 15A
FU2/FU3/FU4	Fuse	MF527 2A
SQ1	Micro switch	QKS7
SQ2	Foot brake switch	ECFS-H4(6)
SQ3	Micro switch	QKS8
RP	Potentiometer	WH-24

Standard accessories List for 947VA Metal Lathe

No.	Part no.	Description	Size	Qty.
1	947VA-ACC-01	Oiler		1
2	947VA-ACC-02	Hex wrenches	3,4,5,6,8 mm	1 each
3	947VA-ACC-03	The wrench of knife rest		1
4	947VA-ACC-04	Clutch overload adjust shaft		2
5	947VA-ACC-05	3 Jaw chuck key		1
6	947VA-ACC-06	The wrench of spindle		1
7	947VA-ACC-07	Dead center	MT5	1
8	947VA-ACC-08	Dead center	MT3	1
9	947VA-ACC-09	Wrenches	5.5/7, 8/10, 12/14, 17/19 mm	1 each
10	947VA-ACC-10	The wrench of spindle screw		1
11	947VA-970	V belt	O-838	1
12	947VA-ACC-12	External jaws for 3 jaw chuck		3
13	947VA-ACC-13	Quick chang tool post	250-102 205-101 250-107 250-110 250-111 250-104	1 each

