

DDS-237

DUAL DRUM SANDER

DOPPEL-ZYLINDERSCHLEIFMASCHINE

DOUBLE PONCEUSE A CYLINDRE



www.promac.fr



GB - ENGLISH

OPERATING INSTRUCTIONS

Dear Customer,

Many thanks for the confidence you have shown in us with the purchase of your new TOOL FRANCE machine. This manual has been prepared for the owner and operators of a TOOL FRANCE DDS-237 dual drum sander to promote safety during installation, operation and maintenance procedures. Please read and understand the information contained in these operating instructions and the accompanying documents. To obtain maximum life and efficiency from your sander, and to use the machine safely, read this manual thoroughly and follow instructions carefully.

Table of Contents

1. Declaration of conformity

2. Warranty

3. Safety

Authorized use

General safety notes

Remaining hazards

4. Machine specifications

Technical data

Workpiece dimensions

Noise emission

Contents of delivery

5. Transport and start up

Transport and installation

Assembly

Mains connection

Dust connection

Starting operation

6. Machine operation

7. Setup and adjustments

Wrapping abrasive strips

Selecting drum abrasives

Rear Drum height setup

Cleaning drum abrasives

Pressure roller adjustment

Conveyor table alignment

Conveyor belt adjustment

Drive belt tensioning

8. Maintenance and inspection

9. Trouble shooting

10. Available accessories

11. Environmental protection

1. Declaration of conformity

On our own responsibility we hereby declare that this product complies with the regulations* listed on page 2.

Designed in consideration with the standards**.

2. Warranty

TOOL FRANCE guarantees that the supplied product(s) is/are free from material defects and manufacturing faults.

This warranty does not cover any defects which are caused, either directly or indirectly, by incorrect use, carelessness, damage due to accidents, repairs or inadequate maintenance or cleaning as well as normal wear and tear.

Further details on warranty (e.g. warranty period) can be found in the General Terms and Conditions (GTC) that are an integral part of the contract.

These GTC may be viewed on the website of your dealer or sent to you upon request.

TOOL FRANCE reserves the right to make changes to the product and accessories at any time.

3. Safety

3.1 Authorized use

This sander is designed for sanding wood and similar materials only. Sanding of other materials is not permitted and may be carried out in specific cases only after consulting with the manufacturer.

The machine is not suitable for wet sanding. The workpiece must allow to safely be loaded, supported and guided.

The proper use also includes compliance with the operating and maintenance instructions given in this manual.

The machine must be operated only by persons familiar with its operation and maintenance and who are familiar with its hazards.

The required minimum age must be observed.

The machine must only be used in a technically perfect condition.

When working on the machine, all safety mechanisms and covers must be mounted.

In addition to the safety requirements contained in these operating instructions and your country's applicable regulations, you should observe the generally recognized technical rules concerning the operation of woodworking machines.

Any other use exceeds authorization. In the event of unauthorized use of the machine, the manufacturer renounces all liability and the responsibility is transferred exclusively to the operator.

3.2 General safety notes

Woodworking machines can be dangerous if not used properly. Therefore the appropriate general technical rules as well as the following notes must be observed.

Read and understand the entire instruction manual before attempting assembly or operation.

Keep this operating instruction close by the machine, protected from dirt and humidity, and pass it over to the new owner if you part with the tool.

No changes to the machine may be made.

Daily inspect the function and existence of the safety appliances before you start the machine.

Do not attempt operation in this case, protect the machine by unplugging the mains cord.

Remove all loose clothing and confine long hair.

Before operating the machine, remove tie, rings, watches, other jewellery, and roll up sleeves above the elbows.

Wear safety shoes; never wear leisure shoes or sandals. Always wear the approved working outfit.

Do **not** wear gloves.

Remove jammed work pieces only when motors are turned off and the machine is at a complete standstill.

Install the machine so that there is sufficient space for safe operation and workpiece handling.

Keep work area well lighted.

The machine is designed to operate in closed rooms and must be placed stable on firm and levelled ground.

Make sure that the power cord does not impede work and cause people to trip.

Keep the floor around the machine clean and free of scrap material, oil and grease.

Stay alert!

Give your work undivided attention. Use common sense. Do not operate the machine when you are tired.

Do not operate the machine under the influence of drugs, alcohol or any medication. Be aware that medication can change your behavior.

Never reach into the machine while it is operating or running down.

Never leave a running machine unattended. Before you leave the workplace switch off the machine.

Keep children and visitors a safe distance from the work area.

Do not operate the electric tool near inflammable liquids or gases.

Observe the fire fighting and fire alert options, for example the fire extinguisher operation and place.

Do not use the machine in a damp environment and do not expose it to rain.

Wood dust is explosive and can also represent a risk to health.

Dust from some tropical woods in particular, and from hardwoods like beach and oak, is classified as a carcinogenic substance.

Always use a suitable dust extraction device

Before machining, remove any nails and other foreign bodies from the workpiece.

Never operate with the guards not in place – serious risk of injury!

Never reach with your hands into the machine when guiding or sorting the work piece.

Use a feeding aid (push wood) if you want to feed short stock into the machine. Stock must have a minimum length of 230 mm.

Machine only stock which rests securely on the table.

Specifications regarding the maximum or minimum size of the workpiece must be observed.

Do not machine more than two work pieces at the same time.

Do not stand on the machine.

Connection and repair work on the electrical installation may be carried out by a qualified electrician only.

Have a damaged or worn power cord replaced immediately.

Replace any torn or worn sanding paper immediately.

Make all machine adjustments or maintenance with the machine unplugged from the power source.

3.3 Remaining hazards

dangerous if not used properly. Therefore the appropriate general technical rules as well as the following notes must be observed.



Read and understand the entire instruction manual before attempting assembly or operation.



Keep this operating instruction close by the machine, protected from dirt and humidity, and pass it over to the new owner if you part with the tool.

No changes to the machine may be made.

Daily inspect the function and existence of the safety appliances before you start the machine.

Do not attempt operation in this case, protect the machine by unplugging the power cord.

Before operating the machine, remove tie, rings, watches, other jewellery, and roll up sleeves above the elbows.

Remove all loose clothing and confine long hair.

Wear safety shoes; never wear leisure shoes or sandals.

Always wear the approved working outfit:

- safety goggles
- ear protection
- dust protection



Keep an ergonomic body position. Maintain a balanced stance at all times. Do not wear gloves while operating this machine.



Install the machine so that there is sufficient space for safe operation and workpiece handling.

Keep work area well lighted.

The machine is designed to operate in closed rooms and must be bolted stable on firm and levelled table surface or on the supplied cabinet stand.

Make sure that the power cord does not impede work and cause people to trip.

Keep the floor around the machine clean and free of scrap material, oil and grease.

Stay alert!

Give your work undivided attention.

Use common sense. Do not operate the machine when you are tired.

Keep an ergonomic body position. Maintain a balanced stance at all times.

Do not operate the machine under the influence of drugs, alcohol or any medication. Be aware that medication can change your behavior.



Never reach into the machine while it is operating or running down.



Keep children and visitors a safe distance from the work area.

Never leave a running machine unattended. Before you leave the workplace switch off the machine.

Do not operate the electric tool near inflammable liquids or gases. Observe the fire fighting and fire alert options, for example the fire extinguisher operation and place.

Do not use the machine in a damp environment and do not expose it to rain.

Before machining, remove any nails and other foreign bodies from the workpiece.

Work only with well sharpened tools.

Machine only stock which rests securely on the table.

Always close the chuck cover before you start the machine.

Specifications regarding the maximum or minimum size of the workpiece must be observed.

Do not remove chips and workpiece parts until the machine is at a standstill.

Do not stand on the machine.

Connection and repair work on the electrical installation may be carried out by a qualified electrician only.



Have a damaged or worn power cord replaced immediately.

Make all machine adjustments or maintenance with the machine unplugged from the power source.



3.3 Remaining hazards

When using the machine according to regulations some remaining hazards may still exist.

The moving sanding sleeve can cause injury.

Risk of kickback. The workpiece is caught by the moving sanding sleeve and thrown back to the operator.

Thrown workpiece parts can lead to injury.

Sanding dust and noise can be health hazards. Be sure to wear personal protection gear such as safety goggles and dust mask. Use a suitable dust exhaust system.

Defective sanding discs can cause injuries.

The use of incorrect mains supply or a damaged power cord can lead to injuries caused by electricity.

4. Machine specifications

4.1 Technical data

2 Drums (DxL)	152x940mm
Drum speed	1400 rpm
Sanding speed	11,1 m/sec
Sanding paper width	75 or 100mm
Feed speed	2 or 3 m/min
Conveyor Motor	0,18kW(0,25HP) S1
Dust port diameter	2 x 100mm
suction at 20 m/sec	2 x 560m ³ /h
Overall (LxWxH)	1090x1420x1090mm
Net weight	440 kg
Mains	400V ~3/PE 50Hz
Output power	5,5 kW (7,5 HP) S1
Input power	8,5 kW (11,5HP) S6-40%
Reference current	9 A
Extension cord (H07RN-F):	4x1,5mm ²
Installation fuse protection	16A

4.2 Workpiece dimensions

Sanding thickness	0,8 – 133 mm
Min. work piece length	230 mm

4.3 Noise emission

Acoustic pressure level (EN 11202):

Idling	72,4 dB (A)
In operation	88,4 dB (A)

The specified values are emission levels and are not necessarily to be seen as safe operating levels.

As workplace conditions vary, this information is intended to allow the user to make a better estimation of the hazards and risks involved only.

4.4 Content of delivery

- Machine with closed cabinet stand
- 1 abrasive strip 100mm, 80 grit
- 1 abrasive strip 100mm, 100 grit
- 1 handwheel
- 1 gear box handle
- 2 dust ports 100mm

- Assembly kit
- Operating manual
- Spare parts list.

5. Transport and start up

5.1 Transport and installation

Remove the screws holding the sander to the pallet and use a forklift or hoist to lift the sander off the pallet.

DO NOT lift directly under the drums or rollers, as it may damage them.

The machine is designed to operate in closed rooms and must be placed stable on firm and levelled ground. The machine can be bolted down if required.

5.2 Assembly

If you notice transport damage while unpacking, notify your supplier immediately. Do not operate the machine!

Dispose of the packing in an environmentally friendly manner.

Clean all rust protected surfaces with a mild solvent.

Handwheel assembly

See Fig 1

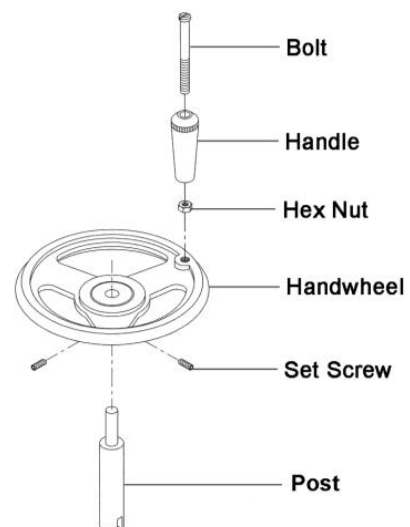


Fig 1

Dust ports and installation

Mount the two dust ports (A) to the top of the hood.

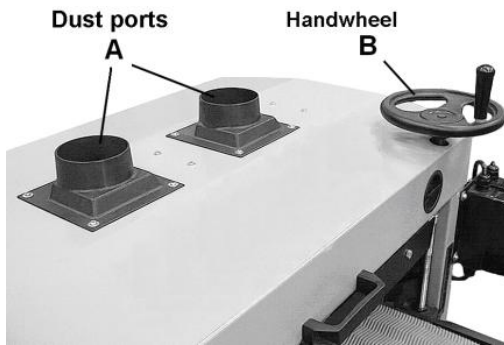


Fig 2

Gear box handle installation

Screw the handle (C) into the collar of gearbox (D)

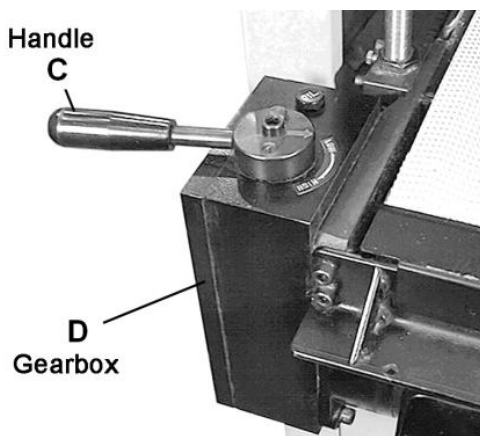


Fig 3

Abrasive strips installation

See chapter 7.1

5.3 Mains connection

Mains connection and any extension cords used must comply with applicable regulations.

The mains voltage must comply with the information on the machine licence plate.

The mains connection must have a 16A surge-proof fuse.

Only use connection cables marked H07RN-F
Connections and repairs to the electrical equipment may only be carried out by qualified electricians.

The machine is equipped with power cord and 16A CCE Euro plug.

Attention :

- Check first if the sanding drums run freely and if all safety devices are fitted before starting the machine.
- If the direction of rotation is not correct, the phase converter inside the CCE Euro plug must be pushed in and turned 180°.

(See rotation arrow on machine for correct rotation)

5.4 Dust connection

Before initial operation, the machine must be connected to a dust extractor. The suction should switch on automatically when the sander is switched on.

The flow rate on the 100mm suction ports must be 20m/sec.

Flexible hoses must be of non-flammable quality, and must be connected to the machine ground system.

5.5 Starting operation

Turn ON the lockable main power switch. (rotation switch).

You can start the machine with the green On-button.

The red Off-buttons stops the machine.

The conveyor motor is started and stopped simultaneously with the main motor.

In case of machine overload the motor overload cut-off will react.

After appr.10 min of cooling the machine can be started again.

The feed gearbox handle (C, Fig 3) engages the conveyor.

- Pos 1.....Low (2 m/min)
- Pos 2.....High (3 m/min)
- Pos 0.....Feed Off

The height adjustment handle raises or lowers the conveyor table to the desired depth of cut.

6. Machine operation

Correct operating position:

To feed the workpiece into the machine, position yourselves offset to one side of the feed opening.

Workpiece handling:

Feed stock from the infeed side and against the rotation of the drum.

It will then be automatically feed through the machine.

Feed with thicker workpiece end at the front, hollow side downward.

Don't machine stock that is heavily twisted, bowed, or otherwise varies in thickness from end to end.
Workpieces shorter than 230 mm may not be processed.

Machine max. 2 workpieces at one time. Feed on both drum ends.

Only process multiple pieces of same thickness. If there is a thickness difference, the thinner pieces may slip on the conveyor belt if they do not contact the pressure rollers.

Support long workpieces with helping roller stands.

Basic operating procedures:

1. Set depth of cut
2. Start drums
3. Engage conveyor (select federate 1 or 2).
4. Start dust collector
5. Feed stock through unit

Switch machine off if no further sanding is to be done immediately afterwards.

General warning:

Always keep your fingers well clear of the rotating sanding drums. Never place your fingers near machine cabinet infeed opening and conveyor belt.

Operating notes:

First begin sanding with a coarser grit, and then progressively work toward finer grits (see chapter 7.2).

Grits that are too fine may sometimes burnish the wood (oak, for example is susceptible due to its open pores).

Angling the workpiece (Fig 4) provides the advantage of more even wear of abrasive strips, potential faster feed rates, lighter load on the motors and less dust build up on the sanding paper.

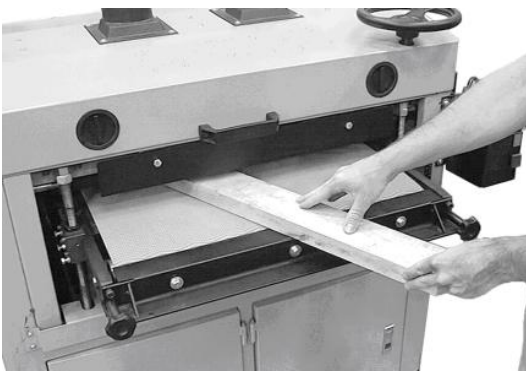


Fig 4

Even a slight offset angle of the stock will provide for more efficient stock removal.

The optimum feeding angle for stock removal is about 60°

You will get the best finish however, when sanding in line with the grain of the wood on the final one or two passes.

You get a faster stock removal when sanding several passes with less depth of cut at a higher feedrate.

For best results clean the sanding paper regularly (see chapter 7.4).

Abrasive life can also be increased by reversing the strip.

Replace worn or torn sanding paper immediately.

It may take some experimentation to determine the proper depth of cut, given the variables of abrasive grit, type of wood and feed rate.

If a workpiece gets stuck lower the conveyor.

In case of machine overload the motor overload cut-off will react.

After appr.10 min of cooling the machine can be started again.

A limit plate (U, Fig 5) is mounted to the front of the sander. If the conveyor table has been set too high, the workpiece will contact this plate and a limit switch will shut off the machine.

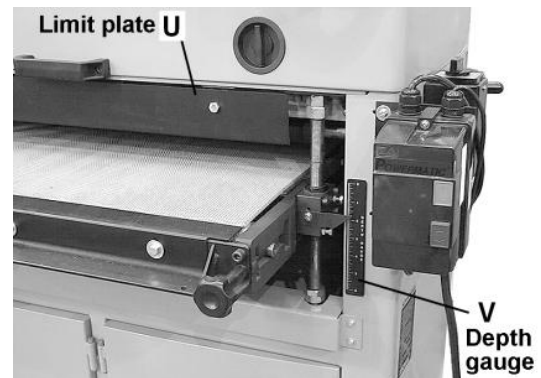


Fig 5

7. Setup and adjustments**General note:**

Setup and adjustment work may only be carried out after the machine is protected against accidental starting by locking the mains switch in Off-position.

7.1 Wrapping abrasive strips

Disconnect the machine from the power source (lock mains switch in Off-position).

Open the hood by removing the handwheel and turning the two locking handles at the front counterclockwise

Always place the coarser grit on the front drum.

Remove the socket head cap screw and locking wedge (P, Fig 6) from both ends of the drum.

NOTE: If the wedge sticks, use a flat head screwdriver as leverage to free it.

Begin at the right end of the drum. Insert the abrasive strip and place the locking wedge into the recess and tighten firmly.

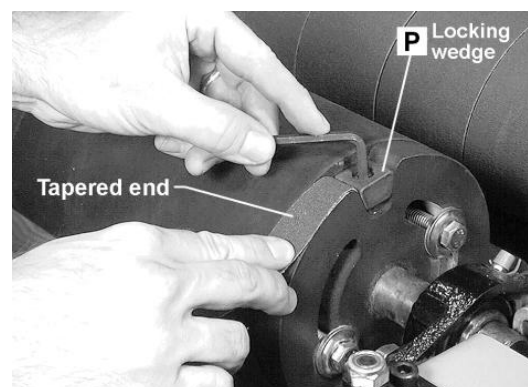


Fig 6

Wrap the strip around the drum, being careful not to overlap the windings.

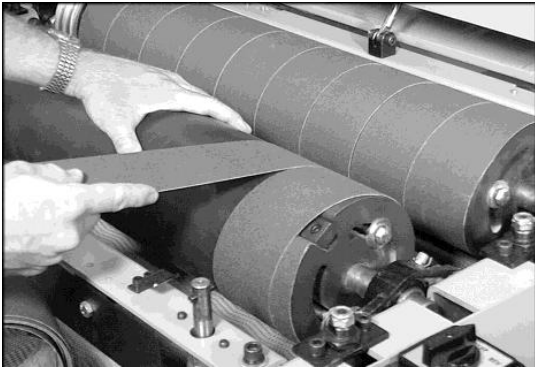


Fig 7

The take up fastener on the left end of the drum is an independent piece (Q, Fig 8). The take-up fastener is spring tensioned to automatically take up any slack caused by stretching of the abrasive strip.

Rotate this fastener backward. Insert the abrasive strip and place the locking wedge into the recess and tighten firmly.

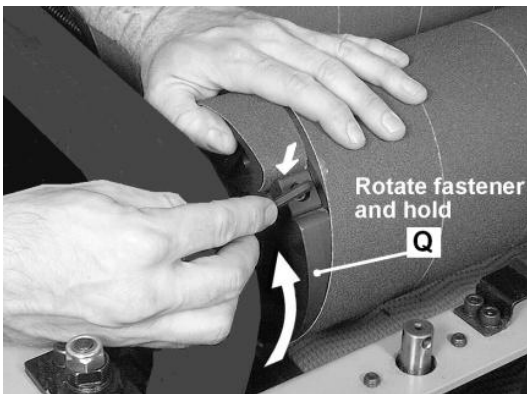


Fig 8

Repeat this procedure for the other drum.

7.2 Selecting drum abrasives

It is important to select the proper grit of abrasives for the type of sanding being performed to achieve maximum sanding results.

First begin sanding with coarser grit, then progressively work towards finer grits.

Never jump more than one grit grade.

Grits that are too fine and worn sanding paper can burnish the wood.

Grit 36: Stock and glue removal.

Grit 60: Surfacing and dimensioning.

Grit 80:

Surfacing, light dimensioning, most popular grade.

Grits 100 and 120: Surfacing and finishing.

Grits 150, 180 and 220: Finish sanding only.

7.3 Rear Drum height setup

When using different abrasive grits on the drums, the height of the drums must be varied.

To achieve this, the back drum (which should always have the finer grit) has been designed for easy adjustment

Loosen the locking levers (O, Fig9) on both sides of the machine.

Rotate the adjustment knob (M) according to the scale (N).

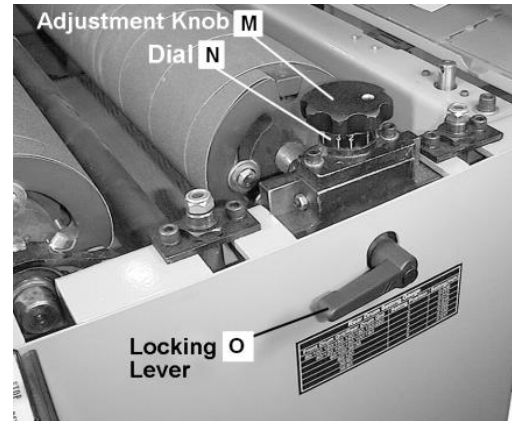


Fig 9

NOTE: It is important that the dial setting be identical at both ends of the drum.

A label (Fig 10) is affixed below the locking lever showing the proper scale settings.

Rear Drum Setting Gauge			
Front Drum Grit / Rear Drum Grit	Setting Position	Setting (Inch)	
80/100, 120/150, 120/180, 150/220	1	0.006	
80/120, 100/150, 100/180	2	0.012	
60/100, 36/38	3	0.016	
36/120	4	0.022	
36/60	5	0.030	
36/80	6	0.037	

Fig 10

Tighten the locking levers (O).

7.4 Cleaning drum abrasives

Regularly clean the abrasive strips on the drum with the supplied cleaning stick.

This will remove the deposits and help extend sandpaper life.

Warning:

Always wear tight fitting clothes and eye protection. Keep alert during this operation to avoid injury.

Operate the sanding drum with the dust hood open. Hold the cleaning stick (D, Fig11) against the rotating drum and move it along the drum surface.

It is good procedure to use a shop brush to remove any cleaning stick crumbs before resuming sanding operation.

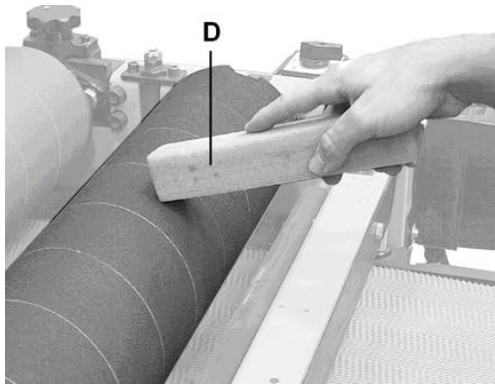


Fig 11

Abrasive life can also be increased by reversing the trailing and starting end of the strip. This will provide a fresh set of cutting edges on the abrasive.

7.5 Pressure roller adjustment

The spring tension of the pressure rollers (R) has been factory set.

If a board refuses to pass through the machine, or the finished surface of a board is uneven, the spring tension of the pressure rollers may need increasing.

Disconnect the machine from the power source (lock mains switch in Off-position).

Loosen the hex nut (T, Fig. 12)

Lower the adjusting screw (S) to increase the roller pressure on the workpiece.

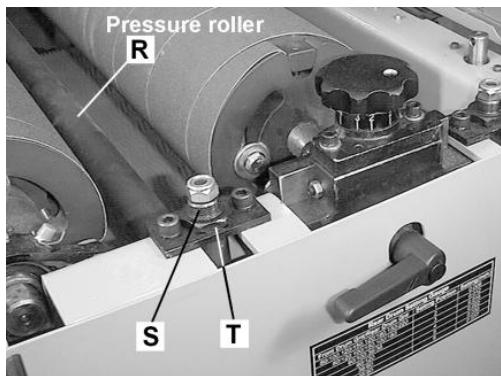


Fig 12

Retighten hex nut.
Repeat adjustment on all roller ends.

CAUTION:
Do not lower rollers too much, as excess roller pressure will prevent the workpiece from passing through the machine.

7.6 Conveyor table alignment

The conveyor table has been set parallel to the drums at the factory.

If the conveyor table should ever need adjusting.

Disconnect the machine from the power source (lock mains switch in Off-position).

Loosen the chain tensioner (W, Fig 13)

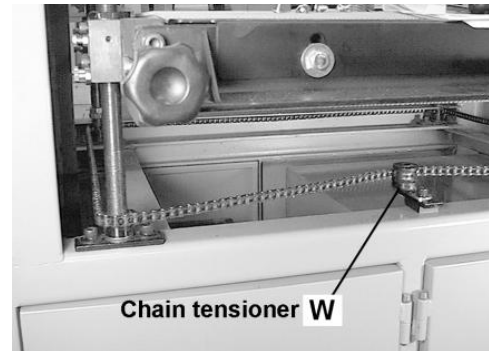


Fig 13

Remove the chain from all four sprockets.



Fig 14

Turn the leadscrew clockwise to raise the table (Fig 14).

When the adjustment is complete, install the chain and tension.

7.7 Conveyor Belt adjustment Belt Tension:

The belt should have just enough tension to move the material without slipping on the drive roller.

Turn knobs (X, Fig 15) clockwise to increase tension.

CAUTION:
Do not overtighten the conveyor belt. Excessive tension will cause stretching and premature wear of the belt.

The belt is too loose when it can be stopped by hand pressure applied directly to the top of the conveyor belt.

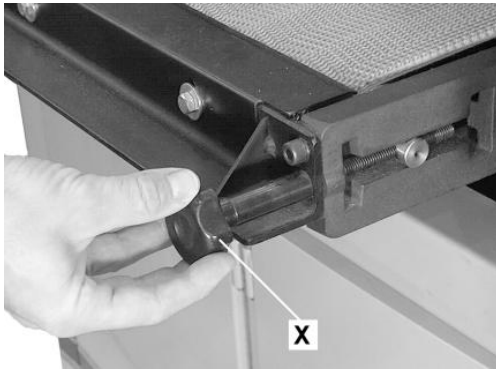


Fig 15

Belt Tracking:

Belt tracking adjustments are made while the conveyor belt is running.

Turn the conveyor on to fastest speed.

Watch for a tendency of the conveyor belt to drift.

To adjust the belt tracking, loosen the knob (X) on the side the belt is drifting toward, and tighten the knob on the opposite side.

Adjust the knobs only ¼ turn at a time and allow for the belt to react before you proceed any further.

Attention:

Do not over-tighten the conveyor belt.

7.8 Drive Belt tensioning

Disconnect the machine from the power source (lock mains switch in Off-position).

Check the tension of the drive belts by squeezing the belts together in the middle with moderate pressure (Fig 16). They are properly tensioned when there is approximately 7mm deflection.

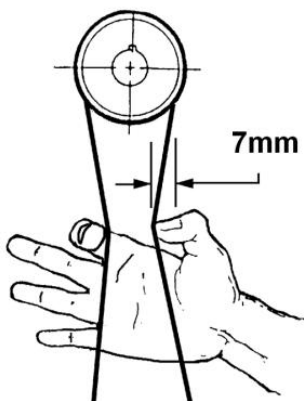


Fig 16

If adjustment is necessary, loosen the hex nuts (Y, Fig 17) and raise or lower the motor plate as needed.

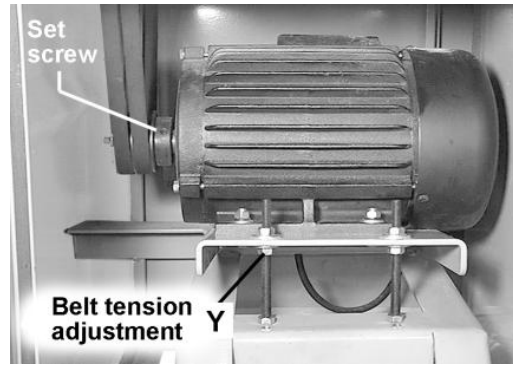


Fig 17

If replacing the belts, always replace them in matched sets of the proper size.

8. Maintenance and inspection

General notes:

Maintenance, cleaning and repair work may only be carried out after the machine is protected against accidental starting by locking the mains switch in Off-position.

Check sanding belts regularly for faults. Replace a defective sanding belt immediately.

Inspect the conveyor belt tracking regularly.

Monthly lubricate all moving parts, such as threaded rods, washers, chain and bushings.

Clean the machine regularly.

Inspect the proper function of the dust extraction daily.

Defective safety devices must be replaced immediately.

All protective and safety devices must be re-attached immediately after completed cleaning, repair and maintenance work.

Repair and maintenance work on the electrical system may only be carried out by a qualified electrician.

Check the oil level in the gearbox by removing the oil plug on top, and add oil if necessary. Use a good quality gear oil. After every 2,500 hours, completely drain and refill gearbox.

Gearbox oil (API GL-4 SAE 80W-90)

9. Trouble shooting

Motor doesn't start

- *No electricity-
check mains and fuse.
- *Defective switch, motor or cord-
consult an electrician.
- *Overload has reacted-
Wait and restart.
Reduce federate or stock removal.

Conveyor belt stops

- *Improper belt tension-
Adjust belt tension.

Board slips on conveyor belt

- *Dusty conveyor belt-
Clean conveyor belt.

Machine vibrates excessively

- *Stand on uneven floor-
adjust stand for even support.

Abrasive strip comes off drum

- *Slack in abrasive strip on drum-
Tighten abrasive strip.

Sander burns wood

- *Depth of cut excessive for fine
grit-Use coarser grit.
- *Feed rate too slow-
Increase feed rate.
- *Abrasive loaded-
Reduce depth of cut, angle stock.
Clean abrasive with cleaning stick.
- *Sanding paper worn-
Avoid area, reverse strip, change
paper.
- *Abrasive strip overlapped-Remove
slack in strip.

Sanding marks on the wood

- *Uneven federate-
Conveyor belt slipping (see above).
- *Wrong grit sanding belt-
use coarser grit for stock removal and fine grit for finish
sanding.
- *Machine vibrations (see above)

Tapered thickness across face

- *Different height setting of rear drum-
- *Make equal setting on both sides.
- *Conveyor table not parallel to drum-Correct table
parallelism.

10. Available accessories

Stock number 60-0505

Cleaning stick.

Stock number 708119

Mobile base up to 500kg for DDS-225 only.
(Pair of rails 708116 needed)

Stock number 708116

Pair of Rails 915-1165mm

Refer to the TOOL FRANCE Pricelist for
various grit sanding belts.

11. Environmental protection

Protect the environment.

Your appliance contains valuable materials which
can be recovered or recycled. Please leave it at a
specialized institution.



This symbol indicates separate collection for electrical
and electronic equipment required under the WEEE
Directive (Directive 2012/19/EC) and is effective only
within the European Union.

DE - DEUTSCH

GEBRAUCHSANLEITUNG

Sehr geehrter Kunde,

vielen Dank für das Vertrauen, welches Sie uns beim Kauf Ihrer neuen TOOL FRANCE Maschine entgegengebracht haben. Diese Anleitung ist für den Inhaber und die Bediener zum Zweck einer sicheren Inbetriebnahme, Bedienung und Wartung der TOOL FRANCE Doppel-Zylinderschleifmaschine DDS237 erstellt worden. Beachten Sie bitte die Informationen dieser Gebrauchsanleitung und der beiliegenden Dokumente. Lesen Sie diese Anleitung vollständig, insbesondere die Sicherheitshinweise, bevor Sie die Maschine zusammenbauen, in Betrieb nehmen oder warten. Um eine maximale Lebensdauer und Leistungsfähigkeit Ihrer Schleifmaschine zu erreichen befolgen Sie bitte sorgfältig die Anweisungen.

Inhaltsverzeichnis

1. Konformitätserklärung

2. Garantieleistungen

3. Sicherheit

Bestimmungsgemäße
Verwendung Allgemeine
Sicherheitshinweise Restrisiken

4. Maschinenspezifikation

Technische Daten
Werkstückabmessungen
Schallemission
Lieferumfang

5. Transport und Inbetriebnahme

Transport und Aufstellung Montage
Elektrischer Anschluss
Absaug Anschluss Inbetriebnahme

6. Betrieb der Maschine

7. Rüst- und Einstellarbeiten

Schleifbandmontage
Schleifbandauswahl
Hintere Zylindereinstellung
Schleifband Reinigung
Vorschubrollen Einstellung
Vorschubtisch Einstellung
Vorschubband Einstellung
Antriebsriemen Nachspannen

8. Wartung und Inspektion

9. Störungsabhilfe

10. Lieferbares Zubehör

11. Umweltschutz

1. Konformitätserklärung

Wir erklären in alleiniger Verantwortlichkeit, dass dieses Produkt mit den auf Seite 2 angegebenen Richtlinien* übereinstimmt.

Bei der Konstruktion wurden folgende Normen** berücksichtigt.

2. Garantieleistungen

TOOL FRANCE garantiert, dass das/die von ihr gelieferte/n Produkt/e frei von Material- und Herstellungsfehlern ist.

Diese Garantie deckt keinerlei Mängel, Schäden und Fehler ab, die - direkt oder indirekt - durch falsche oder nicht sachgemäße Verwendung, Fahrlässigkeit, Unfallschäden, Reparaturen oder unzureichende Wartungs- oder Reinigungsarbeiten sowie durch natürliche Abnutzung durch den Gebrauch verursacht werden.

Weitere Einzelheiten zur Garantie können den allgemeinen Geschäftsbedingungen (AGB) entnommen werden.

Diese können Ihnen auf Wunsch per Post oder Mail zugesendet werden.

TOOL FRANCE behält sich das Recht vor, jederzeit Änderungen am Produkt und am Zubehör vorzunehmen.

3. Sicherheit

3.1 Bestimmungsgemäße Verwendung

Der Trommelschleifer ist geeignet zum Schleifen von Holz und Holzersatzstoffen.

Die Bearbeitung anderer Werkstoffe ist nicht zulässig bzw. darf in Sonderfällen nur nach Rücksprache mit dem Maschinenhersteller erfolgen.

Die Maschine ist nicht für Nass-Schliff geeignet. Es dürfen nur Werkstücke bearbeitet werden welche sicher aufgelegt und geführt werden können.

Die bestimmungsgemäße Verwendung beinhaltet auch die Einhaltung der vom Hersteller angegebenen Betriebs- und Wartungsanweisungen.

Die Maschine darf ausschließlich von Personen bedient werden, die mit Betrieb und Wartung vertraut und über die Gefahren unterrichtet sind.

Das gesetzliche Mindestalter ist einzuhalten.

Neben den in der Gebrauchsanleitung enthaltenen Sicherheitshinweisen und den besonderen Vorschriften Ihres Landes sind die für den Betrieb von Holzbearbeitungsmaschinen allgemein anerkannten fachtechnischen Regeln zu beachten.

Jeder darüber hinaus gehende Gebrauch gilt als nicht bestimmungsgemäß und für daraus resultierende Schäden haftet der Hersteller nicht. Das Risiko trägt allein der Benutzer.

3.2 Allgemeine Sicherheitshinweise

Holzbearbeitungsmaschinen können bei unsachgemäßem Gebrauch gefährlich sein. Deshalb ist zum sicheren Betreiben die Beachtung der zutreffenden Unfallverhütungs- Vorschriften und der nachfolgenden Hinweise erforderlich.



Lesen und verstehen Sie die komplette Gebrauchsanleitung bevor Sie mit Montage oder Betrieb der Maschine beginnen.



Bewahren Sie die Bedienungsanleitung, geschützt vor Schmutz und Feuchtigkeit, bei der Maschine auf, und geben Sie sie an einen neuen Eigentümer weiter.

An der Maschine dürfen keine Veränderungen, An- und Umbauten vorgenommen werden.

Überprüfen Sie täglich vor dem Einschalten der Maschine die einwandfreie Funktion und das Vorhandensein der erforderlichen Schutzeinrichtungen.

Festgestellte Mängel an der Maschine oder den Sicherheitseinrichtungen sind zu melden und von den beauftragten Personen zu beheben. Nehmen Sie die Maschine in solchen Fällen nicht in Betrieb, sichern Sie die Maschine gegen Einschalten durch Ziehen des Netzsteckers.

Zum Schutz von langem Kopfhaar Mütze oder Haarnetz aufsetzen. Enganliegende Kleidung tragen, Schmuck, Ringe und Armbanduhr ablegen.

Tragen Sie Schutzschuhe, keinesfalls Freizeitschuhe oder Sandalen.

Verwenden Sie die durch Vorschriften geforderte persönliche Schutzausrüstung.

- Augenschutz
- Ohrenschutz
- Staubschutz



Beim Arbeiten an der Maschine keine Handschuhe tragen.



Die Maschine so aufstellen, dass genügend Platz zum Bedienen und zum Führen der Werkstücke gegeben ist.

Sorgen Sie für gute Beleuchtung.

Achten Sie darauf, dass die Maschine standsicher auf fester und ebener Tischfläche oder auf dem Originalunterschrank festgeschraubt ist.

Beachten Sie dass die elektrische Zuleitung nicht den Arbeitsablauf behindert und nicht zur Stolperstelle wird.

Den Arbeitsplatz frei von behindernden Werkstücken, etc. halten.

Niemals in die laufende Maschine greifen.

Seien Sie aufmerksam und konzentriert. Gehen Sie mit Vernunft an die Arbeit.

Achten Sie auf ergonomische Körperhaltung.

Sorgen Sie für sicheren Stand und halten Sie jederzeit das Gleichgewicht.

Arbeiten Sie niemals unter dem Einfluss von Rauschmitteln wie Alkohol und Drogen an der Maschine. Beachten Sie, dass auch Medikamente Einfluss auf Ihr Verhalten nehmen können.



Achten Sie auf ergonomische Körperhaltung.

Sorgen Sie für sicheren Stand und halten Sie jederzeit das Gleichgewicht.

Niemals in die laufende Maschine greifen.



Halten Sie Unbeteiligte, insbesondere Kinder vom Gefahrenbereich fern.

Die laufende Maschine nie unbeaufsichtigt lassen. Vor dem Verlassen des Arbeitsplatzes die Maschine ausschalten.

Benützen Sie die Maschine nicht in der Nähe von brennbaren Flüssigkeiten oder Gasen.

Beachten Sie die Brandmelde- und Brandbekämpfungsmöglichkeiten z.B. Standort und Bedienung von Feuerlöschern.

Benützen Sie die Maschine nicht in feuchter Umgebung und setzen Sie sie nicht dem Regen aus.

Vor der Bearbeitung Nägel und andere Fremdkörper aus dem Werkstück entfernen.

Nur mit gut geschärften Werkzeugen arbeiten.

Bearbeiten Sie nur ein Werkstück, das sicher auf dem Tisch aufliegt.

Arbeiten Sie nie bei geöffneten Bohrfutterdeckeln.

Angaben über die min. und max. Werkstückabmessungen müssen eingehalten werden.

Späne und Werkstückteile nur bei stehender Maschine entfernen.

Nicht auf der Maschine stehen.

Arbeiten an der elektrischen Ausrüstung der Maschine dürfen nur durch eine Elektrofachkraft vorgenommen werden.



Tauschen Sie ein beschädigtes Netzkabel sofort aus.

Umrüst-, Einstell- und Reinigungsarbeiten nur im Maschinenstillstand und bei gezogenem Netzstecker vornehmen.



3.3 Restrisiken

Auch bei vorschriftsmäßiger Benutzung der Maschine bestehen die nachfolgend aufgeführten Restrisiken.

Verletzungsgefahr durch die sich drehend Schleiftrömmel.

Einzugsgefahr durch automatischen Vorschub.

Quetschgefahr durch automatischen Werkstück Ausschub.

Gefährdung durch wegfliegende Werkstückteile.

Gefährdung durch Lärm und Staub. Unbedingt persönliche Schutzausrüstungen wie Augen-, Gehör- und Staubschutz tragen.

Eine geeignete Absauganlage einsetzen!

Gefährdung durch schadhaftes Schleifband.

Gefährdung durch Strom, bei nicht ordnungsgemäßer Verkabelung.

4. Maschinenspezifikation

4.1 Technische Daten

2 Schleifzylinder (DxL)	152x940mm
Drehzahl	1400 U/min
Schleifgeschwindigkeit	11,1 m/sec
Schleifband Breite	75 oder 100mm
Vorschubgeschwindigkeit	2 oder 3 m/min
Vorschubmotor	0,18kW(0,25PS) S1
Absauganschluss Durchm.	2x100mm
Absaugvolumenstrom bei 20 m/sec	2 x 560m ³ /h
Maschinenabmessungen (LxBxH)	1090x1420x1090mm
Maschinengewicht	440 kg
Netzanschluss	400V ~3/PE 50Hz
Abgabeleistung	5,5 kW (7,5 PS) S1
Aufnahmeleistung	8,5 kW S6-40%
Betriebsstrom	9A
Anschlussleitung (H07RN-F)	4x1,5mm ²
Bauseitige Absicherung	16A

4.2 Werkstückabmessungen

Dicke	0,8 – 133 mm
Min. Länge	230 mm

4.3 Schallemission

Schalldruckpegel(nach EN 11202):

Leerlauf	72,4 dB (A)
Bearbeitung	88,4 dB (A)

Die angegebenen Werte sind Emissionspegel und sind nicht notwendigerweise Pegel für sicheres Arbeiten.

Sie sollen dem Anwender eine Abschätzung der Gefährdung und des Risikos ermöglichen.

4.4 Lieferumfang

- 1 Schleifband mit 80 Körnung
- 1 Schleifband mit 100 Körnung
- 1 Handrad
- 1 Getriebe Schaltgriff
- 2 Absaugstutzen 100mm
- Montagezubehör
- Gebrauchsanleitung
- Ersatzteilliste

5. Transport und Inbetriebnahme

5.1. Transport und Aufstellung Entfernen Sie die

Befestigungsschrauben und heben Sie die Maschine mit einem Hebegurt oder Hubstapler von der Palette.

Heben Sie die Maschine nicht an den Schleifzylindern oder Vorschubrollen, diese könnten Schaden nehmen.

Die Aufstellung der Maschine sollte in geschlossenen Räumen erfolgen, tischlerübliche Bedingungen in der Werkstatt sind dabei ausreichend.

Die Aufstellfläche muss ausreichend eben und belastungsfähig sein. Die Maschine kann bei Bedarf auf der Aufstellfläche befestigt werden.

5.2 Montage

Wenn Sie beim Auspacken einen Transportschaden feststellen, benachrichtigen Sie umgehend Ihren Händler, nehmen Sie das Gerät nicht in Betrieb.

Entsorgen Sie die Verpackung bitte umweltgerecht.

Entfernen Sie das Rostschutzfett mit einem milden Lösungsmittel.

Handrad Montage

Siehe Fig 1

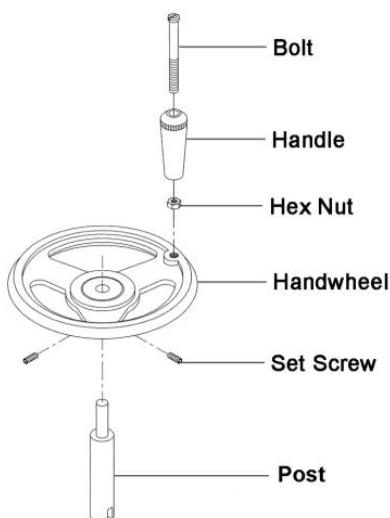


Fig 1

Absaugstutzen Montage

Montieren Sie die Absaugstutzen (A) an der Maschinenhaube.

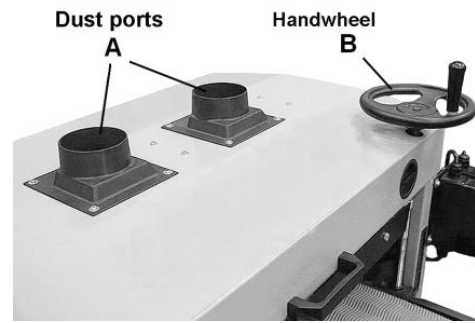


Fig 2

Getriebe Schaltgriff Montage

Schrauben Sie den Griff (C) in die Schaltnabe des Vorschubgetriebes (D).

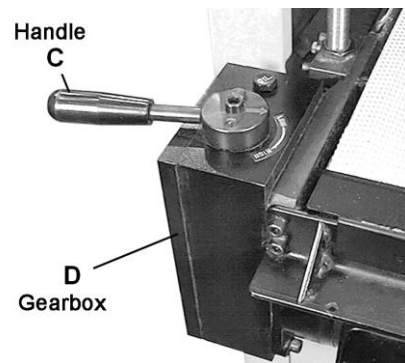


Fig 3

Montage der Schleifbänder

Siehe Kapitel 7.1

5.3 Elektrischer Anschluss

Der kundenseitige Netzanschluss sowie die verwendeten Verlängerungsleitungen müssen den Vorschriften entsprechen. Die Netzspannung und Frequenz müssen mit den Leistungsschilddaten an der Maschine übereinstimmen.

Die bauliche Absicherung muss dabei 16A betragen.

Verwenden Sie nur Anschlussleitungen mit Kennzeichnung H07RN-F

Anschlüsse und Reparaturen der elektrischen Ausrüstung dürfen nur von einer Elektrofachkraft durchgeführt werden.

Die Maschine ist mit Netzkabel und 16A CCE Stecker ausgestattet.

Achtung :

- Bevor Sie die Maschine starten, prüfen Sie den freien Lauf der Schleifzylinder und das Vorhandensein aller Sicherheitseinrichtungen.
- Bei falscher Drehrichtung ist der Phasenwender des CCE-Steckers gedrückt um 180° zu drehen.

(Siehe Drehrichtungspfeil an der Maschine für richtigen Lauf).

5.4 Absaug Anschluss

Die Maschine muss vor der Inbetriebnahme an eine Absaugung angeschlossen werden und zwar derart, dass sich beim Einschalten der Bandsägemaschine die Absaugung selbsttätig mit einschaltet.

Die Mindestluftgeschwindigkeit an den Absaugstutzen muss 20 m/s betragen.

Absaugschläuche müssen der Qualität „schwer entflammbar“ entsprechen und in die Erdung der Maschine mit einbezogen werden.

5.5 Inbetriebnahme

Schalten Sie zuerst den Hauptschalter (Drehschalter) ein.

Mit dem grünen Ein-Taster kann die Maschine nun gestartet werden: Mit dem roten Aus-Taster kann die Maschine stillgesetzt werden.

Vorschubmotor und Hauptmotor starten und stoppen zugleich.

Bei Überbelastung des Motors schaltet dieser selbsttätig ab.

Nach einer Abkühlzeit von ca. 10 Minuten lässt sich die Maschine wieder einschalten.

Der Vorschub wird mit dem Getriebe Schalthebel (C, Fig 3)geschaltet.

Langsam (Pos1...2m/min)

Schnell (Pos2...3m/min)

Vorschub Aus (Pos0).

6. Betrieb der Maschine

Richtige Arbeitsstellung:

Um das Werkstück in die Maschine einzuführen stellen Sie sich seitlich versetzt neben die Zuführöffnung.

Werkstückhandhabung:

Die Werkstückzuführung erfolgt mit dem automatischen Vorschub entgegen der Zylinderrotation.

Werkstück mit dem dickeren Ende voraus einführen, hohle Seite unten.

Bearbeiten Sie keine stark verdrehten oder verbogenen Werkstücke oder solche deren Dicke stark variiert.

Werkstücke die kürzer als 230 mm sind dürfen nicht bearbeitet werden.

Max. 2 Werkstücke gleichzeitig schleifen. An den beiden Trommelenden zuführen.

Mehrere Werkstücke nur bei gleicher Dicke gleichzeitig bearbeitet werden. Bei Dickenabweichungen werden die dünneren Werkstücke von den Druckrollen nicht niedergehalten und rutschen somit am Vorschubband durch.

Lange Werkstücke durch Rollenböcke abstützen.

Grundsätzliche Arbeitsfolge:

1. Spanabnahme einstellen
2. Schleiftrommel starten
3. Vorschub einschalten (Stufe 1 oder 2).
4. Absauganlage starten
5. Werkstück zuführen

Maschine ausschalten, wenn nicht unmittelbar weitergearbeitet wird.

Allgemeiner Warnhinweis:

Halten Sie immer ausreichend Abstand zu den Schleiftrommeln. Fassen Sie mit den Fingern niemals in die Nähe des Werkstück-Einzugs am Gehäuse und am Vorschubband.

Arbeitshinweise:

Beginnen Sie Ihre Arbeit mit einem groben Schleifpapier und wechseln Sie schrittweise zu feineren Körnungen (siehe Kapitel 7.2).

Zu feine Körnungen neigen dazu die geschliffene Oberfläche zu verbrennen (Eiche z.B. ist auf Grund der offenen Poren besonders empfindlich).

Das Werkstück sollte nach Möglichkeit schräggestellt werden.

Wenn schräg zur Faser geschliffen wird sind höhere Vorschub- Geschwindigkeiten möglich und die Schleifpapierbelastung ist geringer.



Fig 4

Bereits ein geringer Anstellwinkel führt zu einer effizienteren Materialabnahme.

Die optimale Schrägstellung beträgt ca. 60°.

Die beste Oberflächengüte lässt sich jedoch erzielen wenn in den beiden letzten Durchgängen in Faserrichtung geschliffen wird.

Die Materialabnahme ist besser wenn in mehreren Durchgängen bei geringer Zustellung und höherer Vorschubgeschwindigkeit gearbeitet wird.

Reinigen Sie das Schleifband regelmäßig (siehe Kapitel 7.4).

Auch durch Wenden des Schleifbandes kann dessen Lebensdauer gesteigert werden.

Schadhafte bzw. verschlissene Schleifbänder sofort ersetzen.

Die optimale Zustellung bedarf einiger Erfahrung, und hängt von Schleifbandkörnung,

Vorschubgeschwindigkeit und Holzart wesentlich ab. Falls ein Werkstück stecken bleibt, senken Sie den Vorschubtisch ab.

Bei Überbelastung reagiert der Motor Überlastschutz.

Nach ca. 10 Minuten kann die Maschine wieder gestartet werden.

An der Gehäuse Einzugstelle ist ein Begrenzungsbalken (U, Fig 5) mit Endschalter montiert. Falls der Vorschubtisch zu hoch eingestellt ist und das Werkstück den Begrenzungsbalken berührt schaltet der Endschalter die Maschine ab.

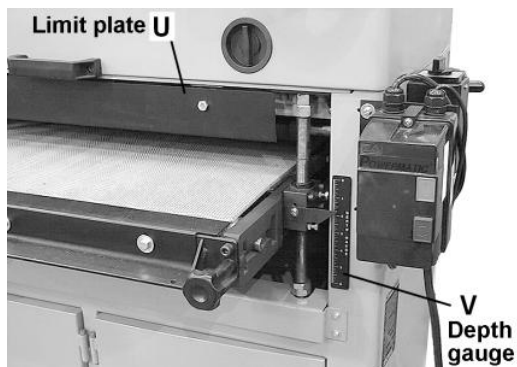


Fig 5

7. Rüst- und Einstellarbeiten

Allgemeine Hinweise

Vor Rüst- und Einstellarbeiten muss die Maschine gegen Inbetriebnahme gesichert werden.

Hauptschalter ausschalten und absperren!

7.1 Schleifbandmontage

Die Stromzufuhr trennen (Hauptschalter ausschalten und absperren).

Entfernen Sie das Handrad, drehen Sie die 2 Haubenverschlüsse nach links und öffnen Sie die Maschinenhaube.

Das gröbere Schleifband immer am vorderen Schleifzylinder montieren.

Entfernen Sie die Innensechskantschrauben und Spannkeile (P, Fig 6) an beiden Zylinderenden.

HINWEIS:

Steckende Klemmkeile mit Hilfe eines Schraubendrehers aushebeln.

Beginnen Sie mit der Schleifbandmontage am rechten Zylinderende.

Klemmen Sie das schräg zugeschnittene Schleifbandende mit dem Spannkeil kräftig fest (Fig 6).

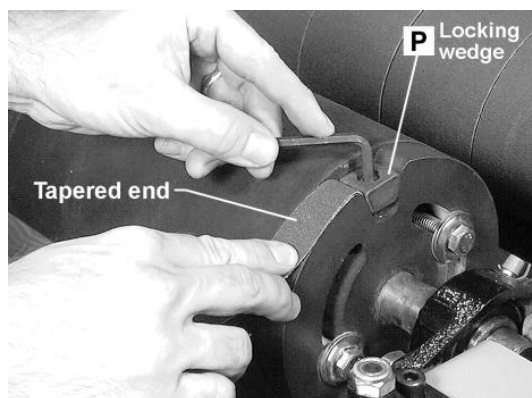


Fig 6

Das Schleifband auf die Trommel aufwickeln, vermeiden Sie dabei Überlappungen des Schleifbandes.

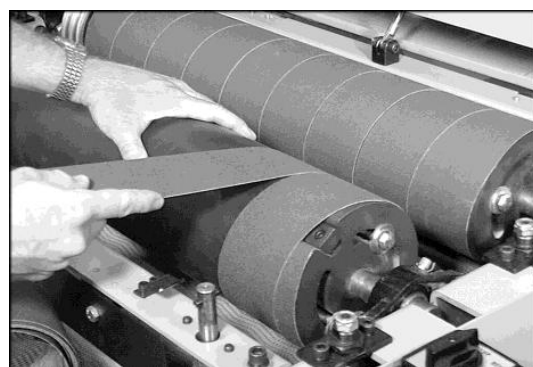


Fig 7

Die Schleifbandhalterung am linken Zylinderende ist eine eigene angefederte Zylinderscheibe (Q, Fig 8). Die Anfederung ist erforderlich um Dehnungen des Schleifbandes im Lauf zu kompensieren.

Drehen sie die Zylinderscheibe gegen die Federkraft zurück.

Klemmen Sie das schräg zugeschnittene Schleifbandende mit dem Spannkeil kräftig fest.

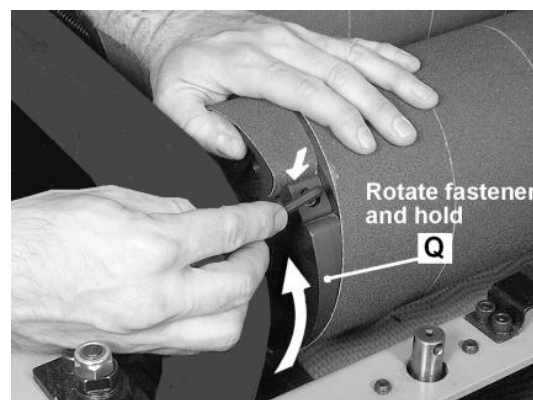


Fig 8

Wiederholen Sie diesen Vorgang am zweiten Schleifzylinder.

7.2 Schleifpapierauswahl

Die Wahl der richtigen Schleifbandkörnung ist äußerst wichtig zur Optimierung der Schleifleistung.

Schleifen Sie zuerst mit einer groben Körnung und wechseln Sie schrittweise zu feineren Körnungen.

Überspringen Sie höchstens eine Körnungsstufe.

Zu feine Körnungen und verschlissene Schleifbänder können Brandflecken am Werkstück hinterlassen.

Korn 36: Materialabnahme und Kleberentfernung.

Korn 60: Kalibrierung und Oberflächenschliff.

Korn 80:

Leichte Kalibrierung und Oberflächenschliff, häufigste Körnung.

Korn 100 und 120: Oberflächenschliff und Feinschliff.

Korn 150, 180 und 220: Nur für Feinschliff.

7.3 Hintere Zylindereinstellung

Bei geänderter Körnungskombination muss die Höhe der Schleifzylinder angepasst werden.

Zu diesem Zweck ist der hintere Schleifzylinder (feinere Körnung) mit einer Feineinstellung ausgeführt.

Lösen Sie die beidseitig die Klemmhebel (O, Fig 9).

Drehen Sie den Stellgriff (M)

entsprechend der Skala (N).

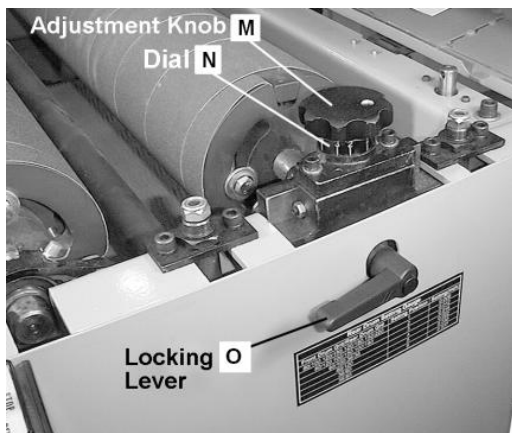


Fig 9

HINWEIS: Achten Sie auf gleiche Skaleneinstellung an beiden Zylinderenden.

Die Tabelle unterhalb des Klemmhebels (Fig 10) gibt Auskunft über die empfohlene Zylindereinstellung.

Front Drum Grit / Rear Drum Grit	Rear Drum Setting Gauge	Setting Position	Setting (In)
80/100, 120/150, 120/180, 150/220	1	1	0.006
80/120, 100/150, 100/180	2	2	0.012
60/100, 36/38	3	3	0.016
36/120	4	4	0.022
36/60	5	5	0.030
36/80	6	6	0.037

Fig 10

Beide Klemmhebel (O) wieder festziehen.

7.4 Schleifbandreinigung

Reinigen Sie das Schleifband regelmäßig mit dem gelieferten Reinigungsstift.

Durch Entfernung der Schleifstaub-Ablagerungen wird die Lebensdauer des Schleifpapiers wesentlich verlängert.

Achtung:

Tragen Sie stets eng anliegende Kleidung und Augenschutz. Seien Sie aufmerksam und konzentriert.

Starten Sie die Schleiftrommel bei geöffneter Maschinenhaube.

Führen Sie den Reinigungsstift (D, Fig 11) an der rotierenden Schleiftrommel entlang.

Es ist empfehlenswert im Stillstand den entstandenen Gummiabrieb mit einer Bürste zu entfernen.

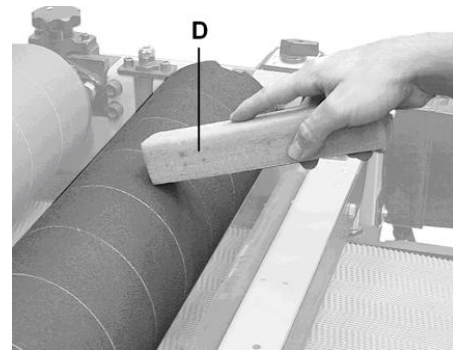


Fig 11

Auch durch Wenden des Schleifbandes kann dessen Lebensdauer gesteigert werden. Dadurch kommen neue Kornspitzen zum Einsatz.

7.5 Druckrollen Einstellung

Die Druckrollen (R) sind ab Werk eingestellt. Bei Vorschubproblemen oder bei unebenen Werkstücken kann es erforderlich sein die Federkraft der Druckrollen zu erhöhen.

Die Stromzufuhr trennen (Hauptschalter ausschalten und absperren).

Lösen Sie die Sechskantmutter (T, Fig. 12)

Durch Absenken der Stellschraube (S) erhöht sich der Rollendruck.

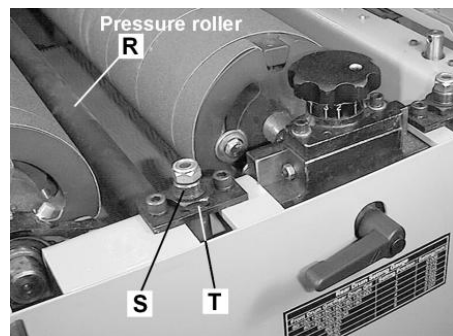


Fig 12

Sechskantmutter wieder festziehen.
Einstellung an allen Rollenenden vornehmen.

ACHTUNG:

Die Rollen dürfen nicht zu stark abgesenkt werden da dies den Vorschub der Werkstücke behindert.

7.6 Vorschubtisch-Einstellung

Der Vorschubtisch ist ab Werk parallel zu den Schleifzylindern eingestellt.

Sollte Einstellung des Vorschubtisches erforderlich werden.

Die Stromzufuhr trennen
(Hauptschalter ausschalten und absperren).

Lösen Sie den Kettenspanner (W, Fig 13).

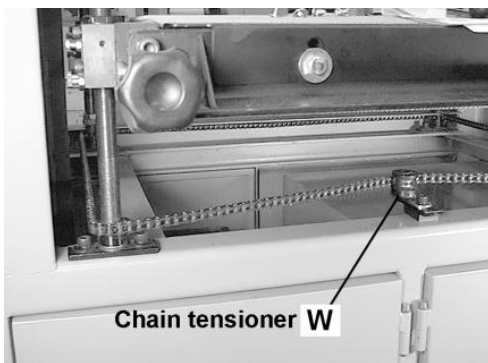


Fig 13

Entfernen Sie die Kette von allen Kettenrädern.



Fig 14

Drehen der Spindel im Uhrzeigersinn hebt den Vorschubtisch (Fig 14).

Nach erfolgter Einstellung die Kette auflegen und spannen.

7.7 Vorschubband-Einstellung: Bandspannung:

Die Bandspannung sollte gerade ausreichen um die Werkstücke zu transportieren ohne an der Antriebsrolle durchzurutschen.

Zum Anheben der Bandspannung den Griff (X, Fig 15) im Uhrzeigersinn drehen.

ACHTUNG:

Das Vorschubband darf nicht zu stark gespannt werden. Zu starke Bandspannung führt zu Banddehnung und vorzeitigem Verschleiß.

Das Vorschubband ist zu locker gespannt, wenn bereits mit Handdruck auf den Vorschubtisch dieses gestoppt werden kann.

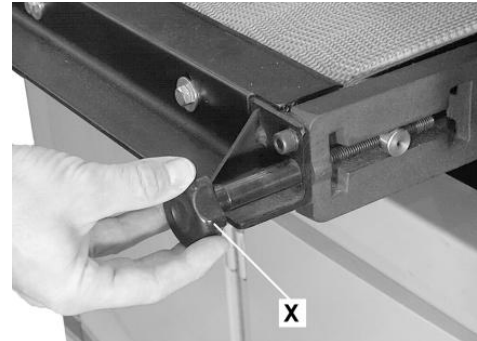


Fig 15

Bandlauf:

Die Bandlaufeinstellung erfolgt bei auf höchster Geschwindigkeit laufendem Vorschubband.

Beobachten Sie den Bandlauf für einige Zeit.

Spannen Sie das Vorschubband an jener Seite nach, von welcher das Vorschubband wegläuft und lösen Sie in gleichem Ausmaß die gegenüber liegende Bandspannung.

Drehen Sie die Spannmutter jeweils eine Viertelumdrehung und beobachten Sie die Reaktion.

Achtung:

Das Vorschubband nicht zu fest spannen!

7.8 Antriebsriemen Nachspannung:

Die Stromzufuhr trennen
(Hauptschalter ausschalten und absperren).

Prüfen Sie die Riemen Spannung durch Zusammendrücken der Riemenflanken mit mittlerer Fingerkraft (Fig 16). Die Riemen Spannung ist korrekt bei einer Verformung von ca. 7mm.

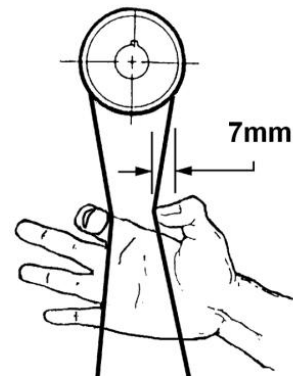


Fig 16

Bei Bedarf die Sechskantmuttern (Y, Fig 17) lösen und nachspannen.

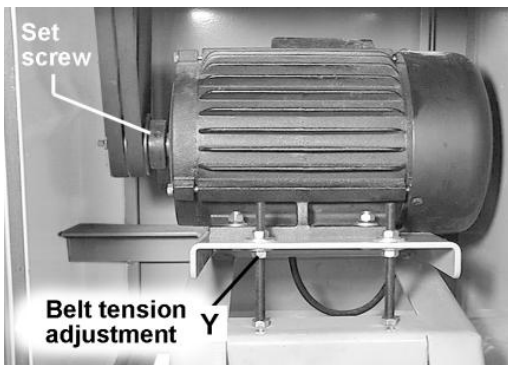


Fig 17

Sollte ein Riemenwechsel erforderlich sein, die Riemen nur im Set tauschen.

8. Wartung und Inspektion

Allgemeine Hinweise:

Vor Wartungs- Reinigungs- und Reparaturarbeiten muss die Maschine gegen Inbetriebnahme gesichert werden

(Hauptschalter ausschalten und absperren).

Kontrollieren Sie das Schleifband regelmäßig auf Fehler. Tauschen Sie ein schadhafes Schleifband sofort aus. Kontrollieren Sie in regelmäßigen Abständen die korrekte Einstellung des Vorschubbandes.

Schmieren Sie monatlich alle bewegten Teile, wie Gewindespindeln, Scheiben, Kette und Lagerbüchsen.

Reinigen Sie die Maschine in regelmäßigen Zeitabständen.

Prüfen Sie täglich die ausreichende Funktion der Absaugung.

Beschädigte Sicherheitseinrichtungen sofort ersetzen.

Sämtliche Schutzeinrichtungen sofort wieder anbringen.

Anschlüsse und Reparaturen der elektrischen Ausrüstung dürfen nur von einer Elektrofachkraft durchgeführt werden.

Prüfen Sie den Ölstand:

Entfernen Sie die Verschlusschraube an der Getriebeoberseite und prüfen Sie den Ölstand. Bei Bedarf nachfüllen. Verwenden Sie Qualitäts-Getriebeöl. Erneuern Sie das Öl alle 2500 Betriebsstunden.

Getriebeöl (API GL-4 SAE W80-90)

9. Störungsabhilfe

Motor startet nicht

- *Kein Strom-
Netzsicherung prüfen.
- *Motor, Schalter oder Kabel defekt-
Elektrofachkraft kontaktieren.
- *Überlastschutz hat reagiert-Motor
abkühlen lassen und neu starten.
Vorschubgeschwindigkeit oder
Spanabnahme reduzieren.

Vorschubband stoppt

- *Unzureichende Bandspannung-Band nachspannen.

Werkstück rutscht am Band-

- *Verschmutztes Vorschubband-Vorschubband reinigen.

Starke Maschinenvibrationen

- *Staub im Trommelinneren-
Blasen Sie den Staub aus der
Trommel.
- *Maschine steht uneben-
Ausgleich schaffen.

Schleifband löst sich-

- *Schleifband nicht fest gespannt-
Schleifband nachspannen.

Werkstückoberfläche verbrannt

- *Zustellung zu groß für feine Körnung-
Gröberes Schleifband verwenden.
- *Vorschub zu langsam-
Vorschubgeschwindigkeit erhöhen.
- *Schleifband zugesetzt-
Zustellung reduzieren,
Werkstück schräg stellen, Schleifband
reinigen.
- *Schleifband verschlissen-
Trommelstelle vermeiden, Schleifband
wenden,
Schleifband wechseln.
- *Schleifbandüberlappung-Schleifband
nachspannen.

Schleifspuren am Werkstück

- *Ungleichmäßiger Vorschub-
Vorschubband rutscht (siehe oben).
- *Falsche Schleifbandkörnung-
Schleifen Sie zuerst mit einer groben Körnung
und wechseln Sie schrittweise zu feineren
Körnungen.
- *Maschinenvibration (siehe oben).

Ungleiche Werkstückdicke links/rechts

*Untergleiche hintere
Zylindereinstellung-
Beide Zylinderseiten gleich einstellen.

*Vorschubtisch nicht parallel zu
Schleifzylindern-
Vorschubtisch parallel einstellen.

10. Lieferbares Zubehör**Artikel Nummer 60-0505**

Reinigungsstift.

Artikel Nummer 708119

Fahreinrichtung bis 500kg
(geeignet nur für DDS-225,
erfordert Schienenpaar 708116)

Artikel Nummer 708116

Schienenpaar 915-1165mm

Für Schleifbänder in unterschiedlichen Körnungen
siehe die TOOL FRANCE Preisliste.

11. Umweltschutz

Schützen Sie die Umwelt!

Ihr Gerät enthält mehrere unterschiedliche,
wiederverwertbare Werkstoffe.

Bitte entsorgen Sie es nur an einer spezialisierten
Entsorgungsstelle.



Dieses Symbol verweist auf die getrennte Sammlung
von Elektro- und Elektronikgeräten, gemäß Forderung
der WEEE-Richtlinie (2012/19/EU). Diese Richtlinie ist nur
innerhalb der Europäischen Union wirksam.

FR - FRANCAIS

MODE D'EMPLOI

Cher client,

Nous vous remercions de la confiance que vous nous portez avec l'achat de votre nouvelle machine TOOL FRANCE. Ce manuel a été préparé pour l'opérateur de la ponceuse à double cylindre TOOL FRANCE DDS-237. Son but, mis à part le fonctionnement de la machine, est de contribuer à la sécurité par l'application des procédés corrects d'utilisation et de maintenance. Avant de mettre l'appareil en marche, lisez les consignes de sécurité et de maintenance dans leur intégralité. Pour obtenir une longévité et fiabilité maximale de votre ponceuse, et pour contribuer à l'usage sûr de la machine, veuillez lire attentivement ce mode d'emploi et suivre les instructions.

Table des Matières

1. **Déclaration de conformité**
2. **Garantie du**
3. **Sécurité**
 - Utilisation conforme
 - Consignes de sécurité
 - Risques
4. **Spécifications**
 - Indications techniques
 - Dimensions des pièces à usiner
 - Emission de bruit
 - Contenu de la livraison
5. **Transport et montage**
 - Transport
 - Montage
 - Raccordement au réseau électr.
 - Racc. collecteur de poussières
 - Mise en exploitation
6. **Fonctionnement de la machine**
7. **Réglages**
 - Montage de la bande abrasive
 - Choix de bande abrasive
 - Réglage du cylindre arrière
 - Nettoyage de bande abrasive
 - Réglage rouleaux d'entraînement
 - Réglage du tapis
 - Réglage du convoyeur
 - Réglage courroie d'engrenage
8. **Entretien et inspection**
9. **Détecteur de pannes**
10. **Accessoires**
11. **Protection de l'environnement**

1. Déclaration de conformité

Par le présent et sous notre responsabilité exclusive, nous déclarons que ce produit satisfait aux normes conformément aux lignes directrices indiquées page 2.

Le constructeur a tenu compte des normes** suivantes .

2. Garantie du

TOOL FRANCE garantit que le/les produit(s) fourni(s) est/sont exempt(s) de défauts matériels et de défauts de fabrication.

Cette garantie ne couvre pas les défauts, dommages et défaillances causés, directement ou indirectement, par l'utilisation incorrecte ou inadéquate, la négligence, les dommages accidentels, la réparation, la maintenance ou le nettoyage incorrects et l'usure normale.

Vous pouvez trouver de plus amples détails sur la garantie dans les conditions générales (CG).

Les CG peuvent être envoyées sur demande par poste ou par e-mail.

TOOL FRANCE se réserve le droit d'effectuer des changements sur le produit et les accessoires à tout moment.

3. Sécurité

3.1 Utilisation conforme

Cette ponceuse convient au ponçage du bois et des dérivés du bois. Le ponçage d'autres matériaux est interdit et ne peut être effectué que dans des cas spéciaux et après accord du fabricant de la machine.

La machine n'est pas conçue pour un ponçage à l'eau.

L'utilisation conforme implique le strict respect des instructions de service et de maintenance indiquées dans ce manuel.

La machine doit être exclusivement utilisée par des personnes familiarisées avec le fonctionnement, la maintenance et la remise en état, et qui sont informées des dangers correspondants.

L'âge requis par la loi est à respecter.

Toutes les directives relatives à la prévention des accidents ainsi que les consignes de sécurité doivent être scrupuleusement respectées.

En cas d'utilisation non conforme de la machine, le fabricant décline toute responsabilité qui est en tel cas rejetée exclusivement sur l'utilisateur.

3.2 Consignes de sécurité

L'utilisation non-conforme d'une ponceuse peut être très dangereux.



C'est pourquoi vous devez lire attentivement ce mode d'emploi avant de monter ou d'utiliser votre appareil.



Conserver à proximité de la machine tous les documents fournis avec l'outillage (dans une pochette en plastique, à l'abri de la poussière, de l'huile et de l'humidité) et veiller à joindre cette documentation si vous cédez l'appareil.

Ne pas effectuer de modification à la machine.

Utiliser les accessoires recommandés, des accessoires incorrects peuvent être dangereux.

Contrôler chaque jour avant d'utiliser la machine les dispositifs de protection et le fonctionnement impeccable.

En cas de défauts à la machine ou aux dispositifs de protection avertir les personnes compétentes et ne pas utiliser la machine. Déconnecter la machine du réseau.

Avant de mettre la machine en marche, retirer cravate, bagues, montres ou autres bijoux et retrousser les manches jusqu'aux coudes. Enlever tout vêtement flottant et nouer les cheveux longs.

Porter des chaussures de sécurité,

surtout pas de tenue de loisirs ou de sandales.

Porter un équipement de sécurité personnel pour travailler à la machine.

- des lunettes protectrices,
- une protection acoustique
- une masque anti poussières.



Ne pas porter de gants.



Placer la machine de sorte à laisser un espace suffisant pour la manœuvre et le guidage des pièces à usiner. Veiller à un éclairage suffisant. Placer la machine sur un sol stable et plat.

S'assurer que le câble d'alimentation ne gêne pas le travail ni risque de faire trébucher l'opérateur.

Conserver le sol autour de la machine propre, sans déchets, huile ou graisse.

Prêter une grande attention à votre travail et rester concentré.

Ne pas travailler sous l'influence de drogues, d'alcool ou de médicaments.



Eviter toute position corporelle anormale.

Veiller à une position stable et garder un bon équilibre à tout moment.

Ne jamais mettre la main dans la machine pendant le travail.



Eloigner de la machine toutes personnes incompetentes surtout les enfants.

Ne jamais laisser la machine en marche sans surveillance.

Arrêter la machine avant de quitter la zone de travail.

Ne pas mettre la machine à proximité de liquides ou de gaz inflammables. Tenir compte des possibilités de prévention et de lutte d'incendie, par ex. lieu et utilisation des extincteurs.

Préserver la machine de l'humidité et ne jamais l'exposer à la pluie.

Utiliser un collecteur de poussières afin d'éviter une production de poussières trop élevée.

La poussière de bois est explosive et peut être nocive pour la santé.

Les poussières de certains bois exotiques et de bois durs, tels que le hêtre et le chêne sont classées comme étant cancérogènes.

Retirer les clous et autres corps étrangers de la pièce avant de débiter l'usinage.

Bien tenir et guider toutes les pièces à usiner. Usiner que des pièces qui se laissent bien placer sur la table.

Ne jamais mettre la machine en service sans les dispositifs de protection – risque de blessures graves!

Se tenir aux spécifications concernant la dimension maximale ou minimale de la pièce à usiner.

Ne pas enlever les copeaux et les pièces usinées avant que la machine ne soit à l'arrêt.

Ne pas se mettre sur la machine.

Tous les travaux de branchement et de réparation sur l'installation électrique doivent être exécutés uniquement par un électricien qualifié.



Remplacer immédiatement tout câble endommagé ou usé.

Faire tous les travaux de réglage ou de maintenance seulement après avoir débranché la machine du réseau.



Remplacer immédiatement toute bande abrasive déchirée ou usée.

3.3 Risques

Même en respectant les directives et les consignes de sécurité les risques suivants existent :

Danger de blessures par le rouleau de ponçage en mouvement.

Danger d'entraînement par le convoyeur automatique.

Danger d'écrasement par la sortie automatique des pièces usinées.

Danger de pièces éjectées.

Risque de nuisance par poussières de bois, copeaux et bruit.

Porter équipements personnels de sécurité tels que lunettes, protège-visage pour travailler à la machine. Utiliser un collecteur de poussières!

Risque par bande abrasive endommagée.

Danger par câble électrique endommagé, usé ou mal branché.

4. Spécifications

4.1 Indications techniques

2 Rouleaux ponçage (ØxL)	152x940mm
Vitesse de rotation	1400 T/min
Vitesse de ponçage	11,1 m/sec
Largeur bande abrasive	75 ou 100mm
Avance réglable continue	2 ou 3 m/min
Moteur d'avance	0,18kW(0,25CV) S1
Diam. buse d'aspiration	2x100mm
Volume d'air à 20 m/sec	2x560m ³ /h
Dimensions de la machine (LxlxH)	1090x1420x1090mm
Poids net (env.)	440 kg
Voltage	400V ~3/PE 50Hz
Puissance moteur	5,5 kW (7,5 CV) S1
Puissance absorbée	8,5 kW S6-40%
Courant électrique	10 A
Raccordement (H07RN-F)	4x1,5mm ²
Fusible du secteur électr.	16A

4.2 Dimensions des pièces à usiner

Epaisseur	0,8 – 133 mm
Longueur min.	230mm

4.3 Emission de bruit

Niveau de pression sonore (selon EN 11202):

Marche à vide	72,4 dB (A)
Usinage	88,4 dB (A)

Les indications données sont des niveaux de bruit et ne sont pas forcément les niveaux pour un travail sûr.

Ainsi l'utilisateur peut estimer les dangers et les risques possibles.

4.4 Contenu de la livraison

- 1 bande abrasive avec grain 80
- 1 bande abrasive avec grain 100
- 1 volant
- 1 poignée d'entraînement d'engrenage
- 2 Buses d'aspiration 100mm
- Accessoires pour le montage
- Mode d'emploi
- Liste pièces de rechange

5. Transport et mise en exploitation

5.1. Transport

Retirer les vis d'ancrage et soulever la machine de la palette à l'aide de courroies de levage ou bien d'un chariot gerbeur.

Ne pas soulever la machine par les cylindres de ponçage, ni par les rouleaux du convoyeur, cela pourrait les endommager.

Effectuer le montage de la machine dans un local fermé ou un atelier respectant les conditions de menuiserie.

Placer la machine sur une surface stable et plane. La machine peut aussi être fixée à la surface.

5.2 Montage

Avertir immédiatement TOOL FRANCE si vous constatez des pièces endommagées par le transport et ne pas monter la machine.

Éliminer l'emballage dans le respect de l'environnement.

Enlever la protection antirouille sur la table avec un dissolvant.

Montage du volant

Voir Fig 1

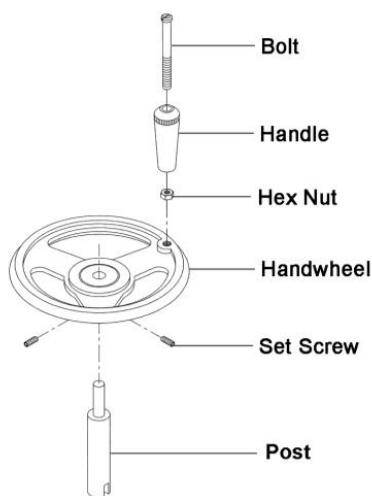


Fig 1

Montage des buses d'aspiration

Monter les buses d'aspiration (A) sur le carter de la machine.

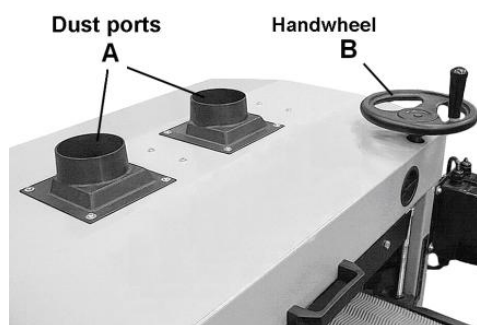


Fig 2

Montage de la poignée d'entraînement d'engrenage

Visser la poignée (C) dans le moyeu de commande d'entraînement de l'engrenage (D).

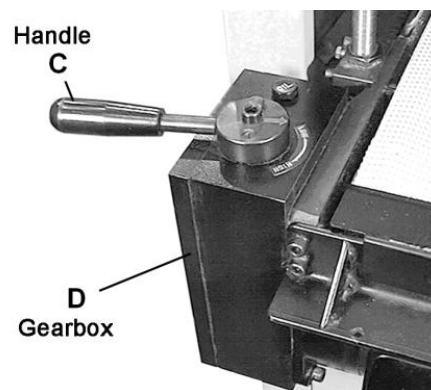


Fig 3

Montage des bandes abrasives Voir chapitre 7.1

5.3 Raccordement au réseau électr.

Le raccordement ainsi que les rallonges utilisées doivent correspondre aux instructions. Le voltage et la fréquence doivent être conformes aux données inscrites sur la machine.

Le fusible du secteur électrique doit avoir 16A. Pour le raccordement, utiliser des câbles H07RN-F.

Tous travaux de branchement et de réparation sur l'installation électrique doivent être exécutés uniquement par un électricien qualifié.

La machine est équipée d'un câble électrique et d'une prise de 16A CCE.

Attention:

- Avant de mettre la machine en route, contrôler que les cylindres tournent librement et que tous les dispositifs de sécurité sont bien en place.
- En cas de mauvais sens de rotation il faut appuyer sur l'inverseur de phase de l'interrupteur CEE et opérer une rotation à 180°

(Voir sur la machine la flèche qui indique le sens correct de rotation).

5.4 Racc. collecteur de poussières

Avant la mise en exploitation connecter la machine à un collecteur de poussières de manière à ce que le collecteur se mette en marche automatiquement avec votre ponceuse.

Vitesse minimale de l'aspiration à la buse 20 m/s. N'utiliser que des tuyaux d'aspiration de qualité „difficilement inflammable“ et intégrer les tuyaux dans la mise à la terre de la machine.

5.5 Mise en exploitation

Tout d'abord manipuler l'interrupteur principal (interrupteur tournant).

Mettre la machine en route avec le bouton vert. Arrêter la machine avec le bouton rouge.

Le moteur d'avance et le moteur principal se mettent en route et s'arrêtent en même temps.

Le moteur s'arrête automatiquement en cas de surcharge.

Après une période de refroidissement d'environ 10 min, il est possible de remettre le moteur en marche.

L'avance est réglée avec la poignée d'entraînement d'engrenage (C, Fig 3).

Lentement (Pos 1...2m/min)

Vite (Pos 2...3m/min)

Entraînement nul (Pos 0).

6. Fonctionnement de la machine

Position de travail:

Pour passer une pièce dans la machine, se positionner décalé sur le côté de l'entrée du convoyeur.

Manoeuvre des pièces:

Arrivage des pièces à usiner par le convoyeur automatique en sens inverse de la rotation du cylindre.

Le bout plus épais de la pièce passe d'abord dans la machine, le côté creux vers le bas.

Ne pas travailler de pièces trop voilées ou tordues ou dont l'épaisseur varie trop.

Ne pas usiner de pièces plus courtes que 230mm.

Mettre au max. 2 pièces en même temps. Les positionner aux deux bouts du rouleau.

N'usiner plusieurs pièces que si elles ont la même épaisseur.

Si les pièces ont des épaisseurs différentes, les plus minces ne sont pas retenues par les rouleaux de compression et ainsi glissent sous la bande pilote.

Poser des pièces très longues sur un support roulant.

Déroulement du travail:

1. Régler l'enlèvement des copeaux souhaité
2. Mettre en marche le rouleau de ponçage
3. Démarrer la vitesse d'avance (position 1 ou 2).
4. Mettre en marche le collecteur de poussières
5. Introduire la pièce

Arrêter la machine, si vous ne continuez pas votre travail.

Attention:

Garder toujours suffisamment de distance au rouleau de ponçage. Ne jamais mettre les doigts sous le rouleau de ponçage.

Conseils:

Commencer le travail avec une bande abrasive à gros grains et changer peu à peu par une bande de grains plus fins (voir chapitre 7.2).

Une bande de grains trop fin peut brûler la surface au ponçage (Chêne p.ex. à cause des pores ouverts très sensibles).

Si possible mener la pièce en diagonale.

En ponçant en travers de la fibre une vitesse d'avance plus élevée est possible et la bande abrasive s'use moins.



Fig 4

Un angle léger conduit déjà à un enlèvement efficace des copeaux.

L'angle optimal est d'env. 60°.

Vous atteindrez le meilleur résultat de ponçage en travaillant dans le sens des fibres pour les deux derniers passages.

L'enlèvement des copeaux est meilleur en faisant plusieurs passages avec une profondeur de passe moindre et une vitesse d'avance plus rapide.

Nettoyer régulièrement la bande abrasive (voir chapitre 7.4).

Tourner la bande abrasive pour augmenter la durée d'utilisation.

Remplacer immédiatement toutes bandes abrasives endommagées ou usées.

Le réglage de la profondeur de passe nécessite de l'expérience et dépend surtout du grain de la bande abrasive, de la vitesse d'avance et du type de bois.

Si une pièce reste coincée, abaisser le tapis.

En cas de surcharge du moteur celui-ci s'arrête automatiquement.

Après un refroidissement d'env. 10 minutes presser le bouton de rappel.

Sur le carter, à l'entrée des pièces, se trouve un délimiteur de hauteur (U, Fig 5) muni d'un interrupteur électrique. Si le tapis est trop haut et la pièce touche le délimiteur, l'interrupteur arrête la machine.

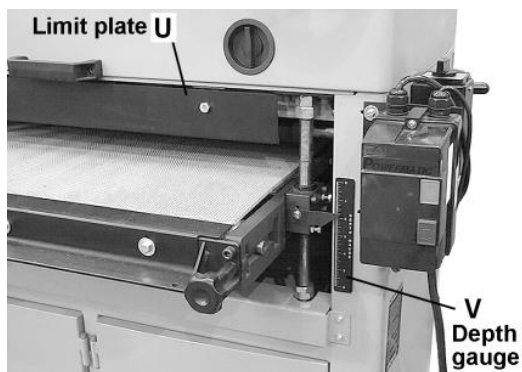


Fig 5

7. Réglages

Attention

Faire tous les travaux de maintenance ou de réglage après avoir débranché la machine du réseau.

Arrêter l'interrupteur principal et verrouiller !

7.1 Montage de la bande abrasive

Déconnecter la machine du réseau (arrêter l'interrupteur principal et verrouiller).

Retirer le volant, tourner les 2 dispositifs de fermeture du carter vers la gauche et ouvrir le carter.

Toujours monter la bande abrasive de plus gros grain sur le rouleau avant.

Retirer la vis à 6 pans creux et la clavette de serrage (P, Fig 6) aux 2 extrémités des cylindres

REMARQUE:

Si la clavette de serrage est coincée, la faire basculer à l'aide d'un tournevis.

Commencer par le montage du papier abrasif sur le côté droit du rouleau. Coincer fortement l'extrémité de la bande coupée en biais, avec la clavette de serrage (Fig 6).

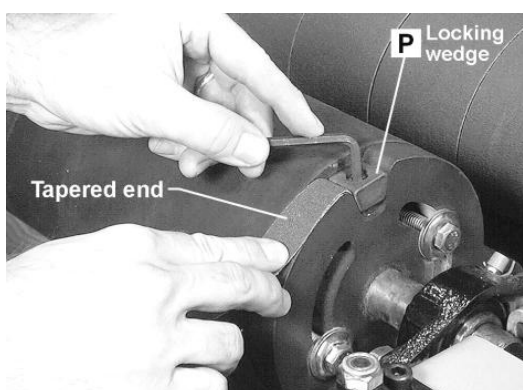


Fig 6

Enrouler la bande abrasive autour du rouleau, tout en évitant qu'elle se superpose.

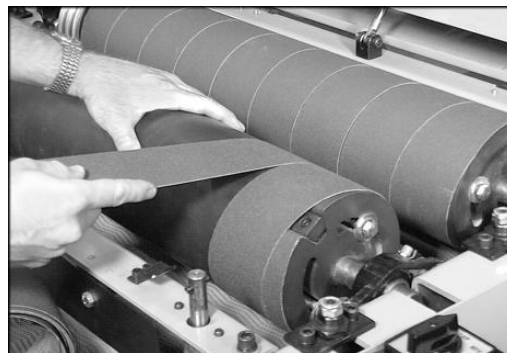


Fig 7

Le dispositif de fixation de la bande sur le côté gauche du cylindre se compose d'un disque sur ressort (Q, Fig 8). Le montage sur ressort est nécessaire afin de compenser les extensions de la bande abrasive pendant la rotation.

Tourner le disque cylindrique contre le sens du ressort.

Coincer fortement l'extrémité en biais de la bande abrasive avec la clavette de serrage.

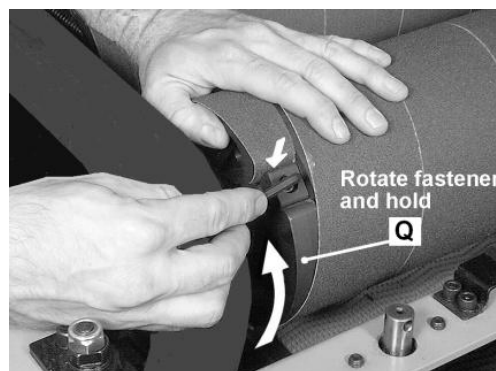


Fig 8

Procéder de la même façon sur le deuxième cylindre.

7.2 Choix de bande abrasive

Le bon choix de la bande abrasive est très important pour optimiser l'effet de ponçage.

Commencer le travail avec une bande abrasive à gros grains et changer peu à peu pour une bande de grains plus fins.

Sauter au maximum un niveau de granularité.

Une bande à grain trop fin ou trop usée laisse des brûlures sur la pièce.

Grain 36:

Enlèvement de copeaux et élimination de colle.

Grain 60: Calibrage et ponçage de surface.

Grain 80: Calibrage fin et ponçage de surface, grain souvent utilisé.

Grain 100 et 120:

Ponçage de surface et ponçage de finition.

Grain 150, 180 et 220:

Seulement pour ponçage de finition.

7.3 Réglage du cylindre arrière

Lors du changement de la combinaison des grains, il faut ajuster la hauteur des cylindres.

A cet effet, le cylindre arrière (grain plus fin) est muni d'un réglage de précision.

Desserrer les deux leviers de fixation (O, Fig 9) se trouvant sur les côtés.

Tourner le bouton de réglage (M) en fonction de la graduation (N).

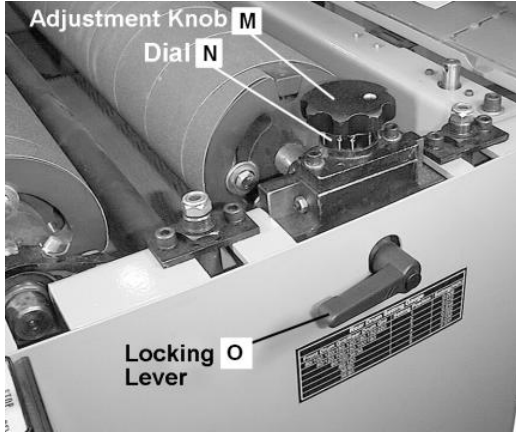


Fig 9

IMPORTANT: Positionner la même graduation sur les 2 extrémités du cylindre.

Le tableau situé sous le levier de serrage (Fig 10) donne des renseignements sur les réglages conseillés du cylindre.

Rear Drum Setting Gauge			
Front Drum Grit / Rear Drum Grit	Setting Position	Setting (Inch)	
80/100, 120/150, 120/180, 150/220	1	0.006	
80/120, 100/150, 100/180	2	0.012	
60/100, 36/38	3	0.016	
36/120	4	0.022	
36/60	5	0.030	
36/80	6	0.037	

Fig 10

Resserrer les deux leviers de serrage (O).

7.4 Nettoyage de bande abrasive

Nettoyer régulièrement la bande abrasive avec le bâton de nettoyage livré.

Vous atteindrez une prolongation importante de la durée de la bande abrasive en éliminant les résidus de poussières.

Attention:

Enlever tous vêtements flottants et porter des lunettes de protection. Prêter grande attention à votre travail et rester concentré.

Mettre le rouleau abrasif en marche en laissant le recouvrement ouvert. Mener le bâton de nettoyage (D, Fig 11) e long du rouleau en rotation.

Nous vous conseillons d'enlever ces déchets avec une brosse sur la machine à l'arrêt.

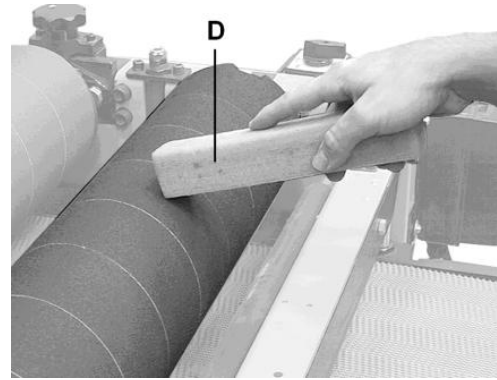


Fig 11

En tournant la bande abrasive la durée peut également être augmentée.

Ainsi de nouvelles pointes sont utilisées.

7.5 Réglage des rouleaux d'entraînement

Les rouleaux de pression (R) sont réglés au départ usine.

Lors de problèmes d'entraînement ou pour les pièces non plates, il peut être nécessaire d'augmenter la pression des rouleaux d'entraînement.

Déconnecter la machine du réseau (Arrêter l'interrupteur principal et verrouiller).

Desserrer la vis hexagonale (T, Fig. 12)

En abaissant la vis de réglage (S). on augmente la pression du rouleau.

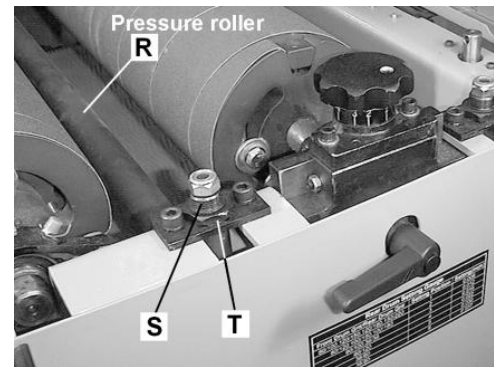


Fig 12

Resserrer la vis hexagonale.

Faire le même réglage à l'extrémité de chaque rouleau.

ATTENTION:

Les rouleaux ne doivent pas être trop abaissés, afin de ne pas gêner l'avancement de la pièce.

7.6 Réglage du tapis

Le tapis est réglé, au départ usine, parallèlement aux cylindres de ponçage.

Si le réglage du tapis est nécessaire :

Déconnecter la machine du réseau
(Arrêter l'interrupteur principal et verrouiller).

Desserrer le dispositif de serrage de la chaîne
(W, Fig 13).

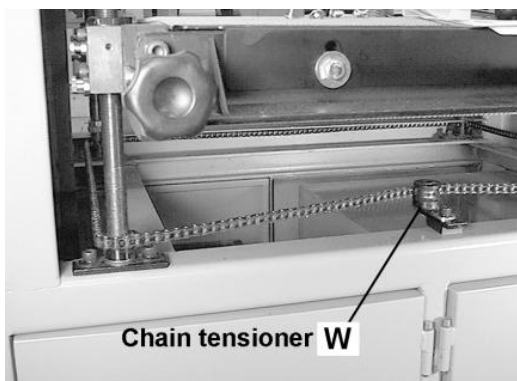


Fig 13

Retirer la chaîne de toutes ses roulettes-guides.



Fig 14

En tournant la broche dans le sens des aiguilles d'une montre le tapis monte (Fig 14).

Après ce réglage, remettre la chaîne en place et la retendre.

7.7 Réglage du convoyeur

Tension de la bande:

La tension de la bande devrait juste suffire à transporter la pièce, sans glisser sur le rouleau d'entraînement.

Pour augmenter la tension de la bande, tourner la poignée (X, Fig 15) dans la direction des aiguilles d'une montre.

ATTENTION:

La bande d'entraînement ne doit pas être trop tendue. Une tension trop élevée conduit à l'extension de la bande et à l'usure prématurée.

La bande d'entraînement est trop lâche si en appuyant avec la main sur le tapis, on peut arrêter celui-ci.



Fig 15

Circuit de la bande:

Toujours mettre le convoyeur à la vitesse maximale pour le réglage du tapis.

Observer pendant quelque temps le circuit de la bande.

Tant que le tapis n'est pas bien ajusté, il tire sur un côté. Resserrer le tapis de ce côté et desserrer dans la même proportion la tension du côté opposé. Tourner lentement les écrous de tension et observer la réaction.

Attention:

Ne pas trop tendre la bande d'entraînement !

7.8 Retendre la courroie d'engrenage:

Déconnecter la machine du réseau
(Arrêter l'interrupteur principal et verrouiller).

Contrôler la tension de la courroie en appuyant sur les flancs avec la force moyenne des doigts (Fig 16).

La tension de la courroie est correcte lors d'une déformation d'environ 7 mm.

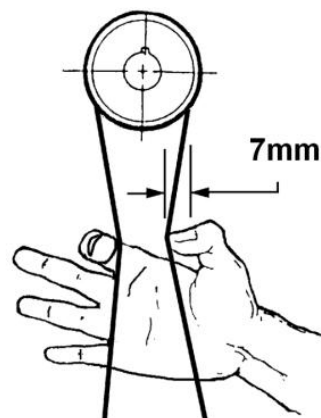


Fig 16

Au besoin desserrer la vis hexagonale (Y, Fig 17) et retendre la courroie.

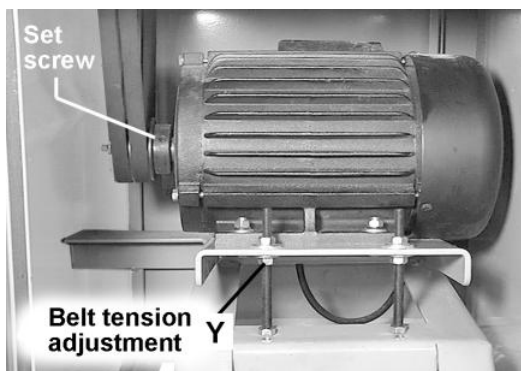


Fig 17

S'il est nécessaire de changer une courroie, n'effectuer le changement qu'en jeu complet.

8. Entretien et inspection

Attention

Faire tous les travaux de maintenance, réglage ou nettoyage après avoir débranché la machine du réseau!

(Arrêter l'interrupteur principal et verrouiller).

Contrôler régulièrement la bande abrasive. Remplacer immédiatement toute bande déchirée ou usée.

Contrôler régulièrement le réglage du tapis.

Graissage mensuellement les pièces flexibles, comme les tiges, rondelles plates, chaînes et coussinets.

Nettoyer régulièrement la machine.

Vérifier chaque jour le fonctionnement impeccable du collecteur de poussières.

Remplacer immédiatement toutes pièces endommagées ou usées.

Réinstaller immédiatement les dispositifs de protection.

Tous travaux de branchement et de réparation sur l'installation électrique doivent être exécutés uniquement par un électricien qualifié.

Contrôler le niveau d'huile:

Retirer le bouchon se trouvant sur le carter et vérifier le niveau d'huile. Au besoin en rajouter. Utiliser de l'huile d'engrenage de qualité. Renouveler cette huile toutes les 2500 heures de travail.

Huile d'engrenage (API GL-4 SAE 80W-90)

9. Détecteur de pannes

Moteur ne se met pas en route

*Pas de courant-
Vérifier le voltage.

*Défaut au moteur, bouton ou câble-
Contacter un électricien qualifié.

*Réaction de surcharge-
Après un refroidissement presser l'interrupteur de garde thermique du moteur.
Réduire la vitesse ou enlever les copeaux.

Tapis ne tourne pas

*Tension du tapis insuffisante-
Ajuster la tension du tapis.

Pièce glisse sur le tapis-

*Tapis usé ou sali-
Remplacer le tapis.

Vibration violente de la machine

*Poussières à l'intérieur du cylindre-Souffler les poussières du cylindre.

*La machine n'est pas sur un sol plat-Repositionner la machine.

Bande abrasive se déplace-

*Tension de la bande insuffisante-Resserrer la bande abrasive.

Brûlures à la surface des pièces

*Bande abrasive de grain trop fin-Utiliser une bande de grain plus gros.

*Avance pas assez rapide-Augmenter la vitesse.

*Usage rapide de la bande-Réduire l'alimentation, Mener la pièce en diagonale, Nettoyer la bande abrasive.

*Bande abrasive usée-
Eviter cette position de la bande, tourner la bande, remplacer la bande.

*Recouvrement de la bande-Ajuster la bande abrasive.

Trace d'abrasion sur la pièce

*Avance irrégulière-
Tapis glisse (voir ci-dessus).

*Mauvaise granularité de bande-Commencer le travail avec une bande abrasive à gros grains et changer peu à peu à une bande de grains plus fins.

*Vibration de la machine (voir ci-dessus).

Résultat de ponçage irrégulier gauche/droite

*Pas le même réglage du cylindre arrière-
Faire le même réglage sur les 2 côtés du cylindre.

*Tapis non parallèle aux cylindres de ponçage-
Positionner le tapis parallèlement aux cylindres.

10. Accessoires

Article 60-0505

Bâton de nettoyage

Article 708119

Dispositif roulant, jusqu'à 500kg seulement pour DDS-225.

(Paire de rails Nr. 708116 nécessaire)

Article 708116

Paire de rails 915-1165mm

Pour bandes abrasives de différents grains voir liste de prix TOOL FRANCE.

11. Protection de l'environnement

Protégez l'environnement !

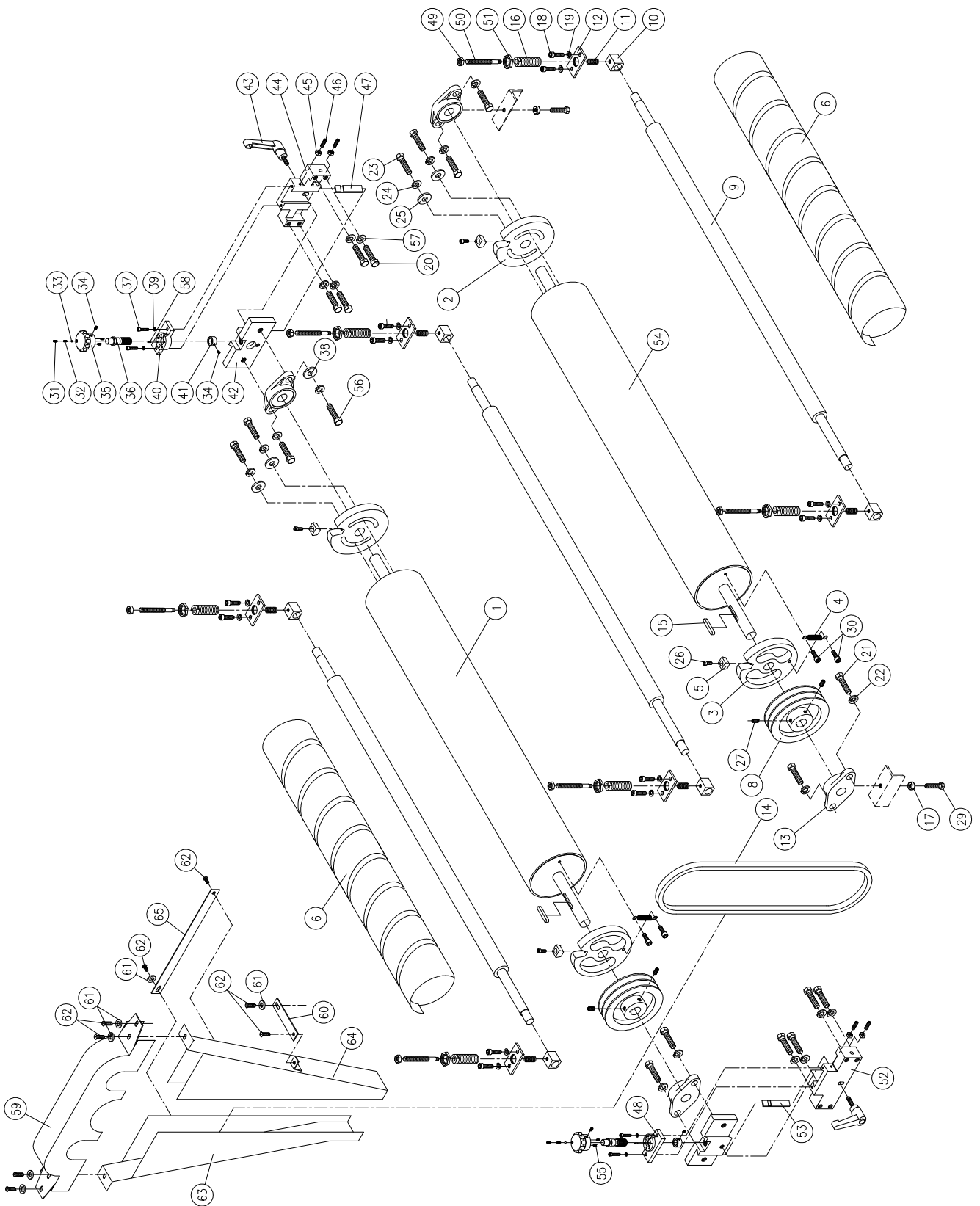
Votre appareil comprend plusieurs matières premières différentes et recyclables. Pour éliminer l'appareil usagé, veuillez l'apporter dans un centre spécialisé de recyclage des appareils électriques.



Ce symbole indique une collecte séparée des équipements électriques et électroniques conformément à la directive DEEE (2012/19/UE). Cette directive n'est efficace que dans l'Union européenne.

EXPLOSION DRAWING / ERSATZTEILZEICHNUNG / VUE ÉCLATÉE

DDS-237 (7.5 HP)



PART LIST / ERSATZTEILLISTE / LISTE DES PIÈCES DÉTACHÉES

DDS-237 (7.5 HP)

Index No.	Part No.	Description	Size	Qty.
1	DDS237-101B	Rear Drum / Hintere Trommel / Tambour arrière		1
2	DDS225-102A	Abrasive Fastener-Right / Schleifmittelbefestigung-Rechts / Attache abrasive droite		2
3	DDS225-103A	Abrasive Fastener-Left / Schleifmittelbefestigung-Links / Attache abrasive gauche		2
4	DDS225-104	Spring / Feder / Ressort		2
5	DDS225-105	Locking Wedge / Arretierkeil / Cale de verrouillage		4
6	DDS237-106	Abrasive (80 Grit) / Schleifmittel (80er Körnung) / Abrasif (grain 80)		1
	DDS237-106A	Abrasive (100 Grit) / Schleifmittel (100er Körnung) / Abrasif (100 grains)		1
7	DDS225-107	Support Bracket / Stützbügel / Support d'appui		2
8	DDS225-108	Pulley / Riemenscheibe / Poulie		2
9	DDS237-109	Tension Roller / Spannrolle / Rouleau tendeur		3
10	DDS225-110	Bushing / Buchse / Douille		6
11	DDS225-111	Spring / Feder / Ressort		6
12	DDS225-112	Bracket / Halterung / Support		6
13	DDS225-113	Bearing Assembly / Lagereinheit / Assemblage du palier	UCFL205	4
14	VB-B69	Belt / Riemen / Courroie		2
15	DDS225-115	Key / Schlüssel / Clé	8 x 7 x 50	2
16	DDS225-116	Adjusting Bushing / Justierbuchse / Douille de réglage		6
17	TS-0561031	Hex Nut / Sechskantmutter / Écrou hexagonal	3/8-16	2
18	DDS225-118	Hex Cap Screw / Sechskantschraube / Vis à tête hexagonale	5/16-18 x 5/8	12
19	TS-0720081	Lock Washer / Sicherungsscheibe / Rondelle de blocage	5/16	12
20	TS-0060071	Hex Cap Screw / Sechskantschraube / Vis à tête hexagonale	3/8-16 x 1-1/4	8
21	DDS225-121	Hex Cap Screw / Sechskantschraube / Vis à tête hexagonale	1/2-13 x 1-1/2	4
22	TS-0720111	Lock Washer / Sicherungsscheibe / Rondelle de blocage	1/2	8
23	DDS225-123	Hex Cap Screw / Sechskantschraube / Vis à tête hexagonale	3/8-16 x 1-3/4	4
24	TS-0720091	Lock Washer / Sicherungsscheibe / Rondelle de blocage	3/8	8
25	TS-1550071	Flat Washer / Flache Unterlegscheibe / Rondelle plate	M10	4
26	TS-0207061	Socket Head Cap Screw / Zylinderschraube mit Innensechskant / Vis à tête cylindrique à six pans creux	1/4-20 x 1	4
27	DDS225-127	Socket Set Screw / Gewindestift mit Innensechskant / Vis à tête creuse	5/16-18 x 1/2	4
29	TS-0060051	Hex Cap Screw / Sechskantschraube / Vis à tête hexagonale	3/8-16 x 1	2
30	TS-0208021	Socket Head Cap Screw / Zylinderschraube mit Innensechskant / Vis à tête cylindrique à six pans creux	5/16-18 x 1/2	4
31	TS-0270051	Socket Set Screw / Gewindestift mit Innensechskant / Vis à tête creuse	5/16-18 x 1/2	2
32	DDS225-132	Spring / Feder / Ressort		2
33	DDS225-133	Steel Ball / Stahlkugel / Boule en acier	Ø1/4	2
34	DDS225-134	Socket Set Screw / Gewindestift mit Innensechskant / Vis à tête creuse	1/4-20 x 1/4	4
35	DDS225-135	Adjusting Knob / Justierknopf / Bouton de réglage		2
36	DDS225-136	Lead Screw / Leitspindel / Vis de plomb		2
37	TS-0207041	Socket Head Cap Screw / Zylinderschraube mit Innensechskant / Vis à tête cylindrique à six pans creux	1/4-20 x 3/4	4
38	TS-0680061	Flat Washer / Flache Unterlegscheibe / Rondelle plate	1/2	4
39	TS-0720071	Lock Washer / Sicherungsscheibe / Rondelle de blocage	1/4	4
40	DDS225-140	Top Cover-Right / Obere Abdeckung - rechts / Couvercle supérieur droit		1
41	DDS225-141	Collar / Kragen / Collier		2
42	DDS225-142	Slide / Schieber / Coulisseau		2

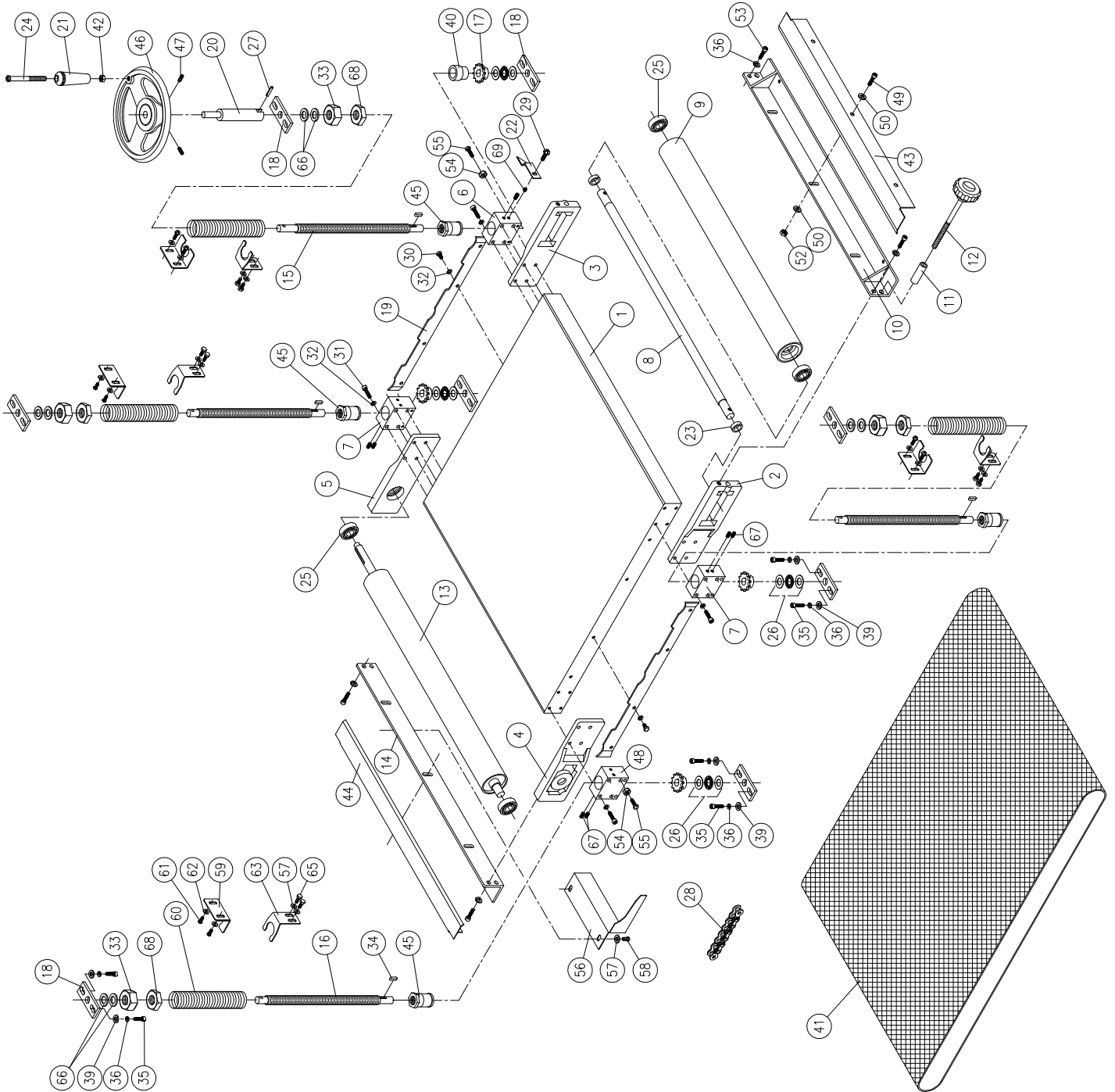
PART LIST / ERSATZTEILLISTE / LISTE DES PIÈCES DÉTACHÉES

DDS-237 (7.5 HP)

Index No.	Part No.	Description	Size	Qty.
43	DDS225-143	Locking Lever / Verriegelungshebel / Levier de verrouillage		2
44	DDS225-144	Slide Bracket-Right / Schlittenhalterung-Rechts / Support de glissière-droit		1
45	TS-0561011	Hex Nut / Sechskantmutter / Écrou hexagonal	1/4-20	4
46	TS-0267091	Socket Set Screw / Gewindestift mit Innensechskant / Vis à tête creuse	1/4-20 x 1	4
47	DDS225-147	Gib-Right / Gib-Rechts / Couvercle droit		1
48	DDS225-148	Top Cover-Left / Obere Abdeckung-Links / Couvercle supérieur gauche		1
49	TS-1541041	Hex Nylon Lock Nut / Sechskant-Nylon-Sicherungsmutter / Contre-écrou hexagonal en nylon	M10	6
50	DDS225-150	Adjusting Screw / Justierschraube / Vis de réglage		6
51	DDS225-151	Hex Nut / Sechskantmutter / Écrou hexagonal	M22 x 1.5P x 5T	6
52	DDS225-152	Slide Bracket-Left / Schiebebügel-Links / Support coulissant gauche		1
53	DDS225-153	Gib-Left / Gib-Links / Gorge gauche		1
54	DDS237-154B	Front Drum / Vordere Trommel / Tambour avant		1
55	TS-1521021	Socket Set Screw / Gewindestift mit Innensechskant / Vis à tête creuse	M4 x 10L	4
56	DDS225-156	Hex Cap Screw / Sechskantschraube / Vis à tête hexagonale	1/2-13x 1-1/4	4
57	TS-0720091	Lock Washer / Sicherungsscheibe / Rondelle de blocage	3/8	8
58	DDS225-158	Roll Pin / Rollenbolzen / Goupille d'enroulement	Ø2 x 8mm	2
59	DDS237-159	Top bracket of Pulley Guard / Obere Halterung des Riemenscheibenschutzes / Support supérieur de la protection de poulie		1
60	DDS225-160	Bracket / Halterung / Support		2
61	DDS225-161	Flat Washer / Flache Unterlegscheibe / Rondelle plate	1/4"	6
62	DDS225-162	Screw / Schraube / Vis	1/4"-20 x 3/8	8
63	DDS237-163	Left Bracket of Pulley Guard / Linke Halterung des Riemenscheibenschutzes / Support gauche de la protection de poulie		1
64	DDS237-164	Right Bracket of Pulley Guard / Rechte Halterung des Riemenscheibenschutzes / Support droit de la protection de la poulie		1
65	DDS237-165	Linking Plate / Verkettungsplatte / Plaque de liaison		1
	DDS225-LSBA	Left Slide Bracket Assembly / Linke Schlittenhalterung / Ensemble du support coulissant gauche (index # 31-37 ,39, 41-43, 45-46, 48,52,53, 55,58)		1
	DDS225-RSBA	Right Slide Bracket Assembly / Rechte Schlittenhalterung / Assemblage du support coulissant droit (index #31-37 ,39-47, 55,58)		1

EXPLOSION DRAWING / ERSATZTEILZEICHNUNG / VUE ÉCLATÉE

DDS-237 (7.5 HP)



PART LIST / ERSATZTEILLISTE / LISTE DES PIÈCES DÉTACHÉES

DDS-237 (7.5 HP)

Index No.	Part No.	Description	Size	Qty.
1	DDS237-201	Table / Tisch / Table		1
2	DDS225-202	Support Bracket, Left-Front / Haltebügel, links-vorne / Support de fixation, avant gauche		1
3	DDS225-203	Support Bracket, Right-Front / Haltebügel, rechts-vorne / Support de fixation, avant droit		1
4	DDS225-204	Support Bracket, Left-Rear / Haltebügel, links-hinten / Support de fixation, arrière gauche		1
5	DDS225-205	Support Bracket, Right-Rear / Halterung, rechts-hinten / Support de fixation, arrière droit		1
6	DDS225-206B	Leadscrew Holder, Right-Front / Leitspindelhalterung, rechts-vorne / Porte-vis, avant droit		1
7	DDS225-207B	Leadscrew Holder, Left-Front and Right-Rear / Leitspindelhalterung, links-vorne und rechts-hinten / Porte-vis, avant gauche et arrière droite		2
8	DDS237-208	Rod / Stange / Tige		1
9	DDS237-209	Front Roller / Vordere Rolle / Rouleau avant		1
10	DDS237-210	Front Support Plate / Vordere Stützplatte / Plaque de support avant		1
11	DDS225-211	Collar / Manschette / Collier		2
12	DDS225-212	Adjusting Knob / Einstellknopf / Bouton de réglage		2
13	DDS237-213	Rear Roller / Hintere Rolle / Rouleau arrière		1
14	DDS237-214	Rear Support Plate / Hintere Stützplatte / Plaque de support arrière		1
15	DDS225-215A	Drive Leadscrew / Antriebsgewindespindel / Vis d'entraînement		1
16	DDS225-216A	Driven Leadscrew / Angetriebene Gewindespindel / Vis d'entraînement		3
17	DDS225-217	Sprocket / Ritzel / Roue dentée		4
18	DDS225-218	Support Bracket / Stützbügel / Support d'appui		8
19	DDS225-219	Guide Plate / Führungsplatte / Plaque de guidage		2
20	DDS225-220	Post / Pfosten / Poteau		1
21	DDS225-221	Handle / Handgriff / Poignée		1
22	DDS225-222	Pointer / Zeiger / Pointeur		1
23	DDS225-223	Collar / Manschette / Collier		2
24	DDS225-224	Bolt / Bolzen / Boulon		1
25	BB-6203ZZ	Ball Bearing / Kugellager / Roulement à billes	6203ZZ	4
26	DDS225-226	Thrust Bearing / Axiallager / Roulement à billes		4
27	DDS225-227	Roll Pin / Spannstift / Goupille de roulement	Ø6 x 25mm	1
28	DDS237-228	Chain / Kette / Chaîne		1
29	TS-081F022	Phillips Pan Head Machine Screw / Kreuzschlitz-Maschinenschraube / Vis à tête cylindrique Phillips	1/4-20 x 3/8	1
30	TS-0050011	Hex Cap Screw / Sechskantschraube / Vis à tête hexagonale	1/4-20 x 1/2	8
31	TS-0207111	Socket Head Cap Screw / Zylinderschraube mit Innensechskant / Vis à tête cylindrique à six pans creux	1/4-20 x 2-1/4	16
32	TS-0720071	Lock Washer / Sicherungsscheibe / Rondelle de blocage	1/4	16
33	DDS225-233	Hex Nut / Sechskantmutter / Écrou hexagonal	7/8-9	4
34	DDS225-234	Key / Schlüssel / Clé	5 x 5 x 18mm	4
35	DDS225-235	Socket Head Cap Screw / Zylinderschraube mit Innensechskant / Vis à tête cylindrique à six pans creux	5/16-18 x 3/4	16
36	TS-0720081	Lock Washer / Sicherungsscheibe / Rondelle de blocage	5/16	22
39	TS-1550061	Flat Washer / Flache Unterlegscheibe / Rondelle plate	M8	16
40	DDS225-240	Bushing / Buchse / Manchon		4
41	DDS237-241	Conveyor / Förderer / Convoyeur		1
42	TS-0561031	Hex Nut / Sechskantmutter / Écrou hexagonal	3/8-16	1

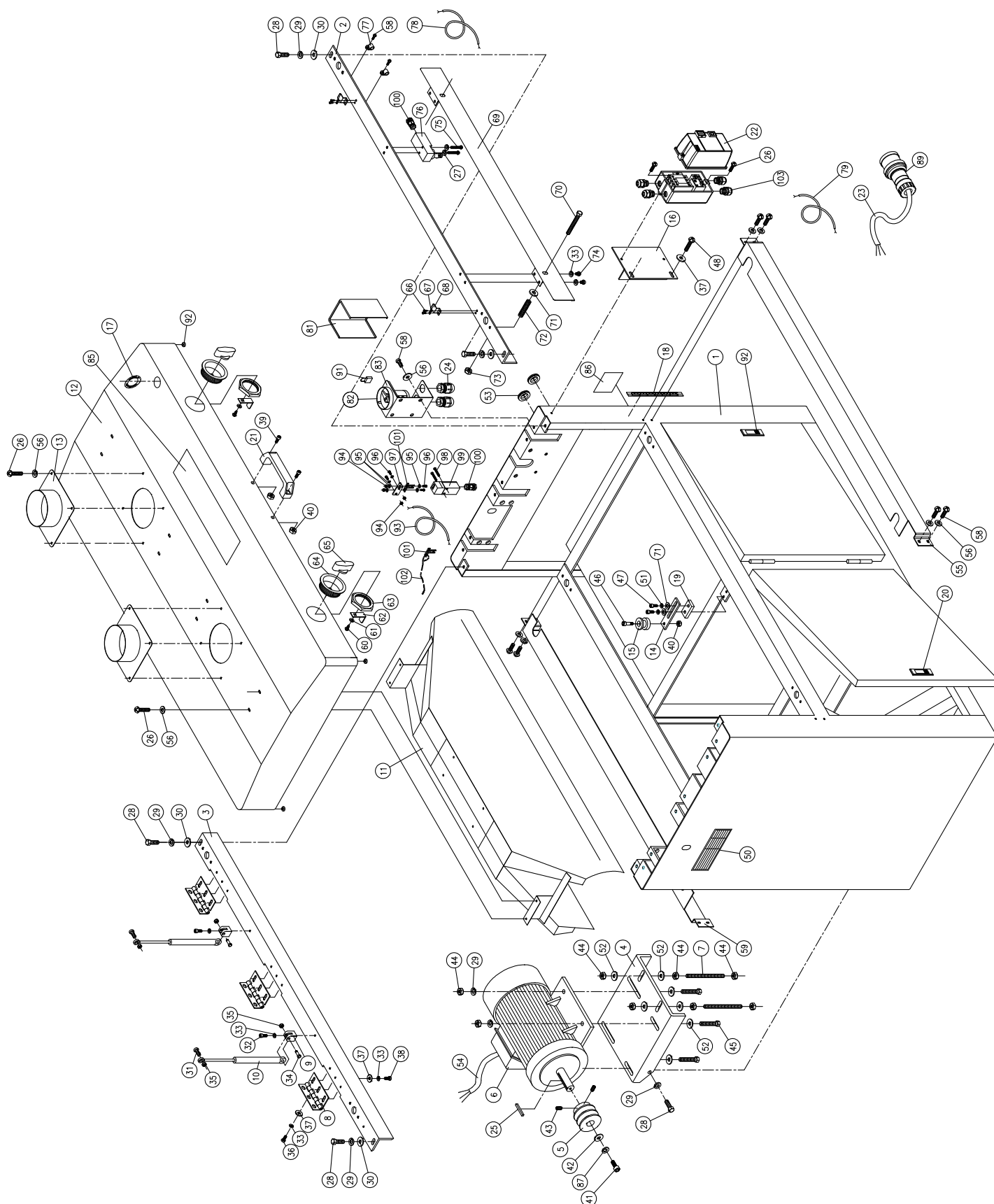
PART LIST / ERSATZTEILLISTE / LISTE DES PIÈCES DÉTACHÉES

DDS-237 (7.5 HP)

Index No.	Part No.	Description	Size	Qty.
43	DDS237-243	Front Cover / Titelblatt / Couverture		1
44	DDS237-244	Rear Cover / Hintere Abdeckung / Couvercle arrière		1
45	DDS225-245B	Threaded Bushing / Gewindebuchse / Douille filetée		4
46	DDS225-246	Handwheel / Handrad / Volant		1
47	DDS225-247	Socket Set Screw / Gewindestift mit Innensechskant / Vis à tête creuse	5/16-18 x 1/2	2
48	DDS225-248B	Leadscrew Holder, Left-Rear / Leitspindelhalterung, links-hinten / Porte-vis, arrière gauche		1
49	TS-0208041	Socket Head Cap Screw / Zylinderschraube mit Innensechskant / Vis à tête cylindrique à six pans creux	5/16-18 x 3/4	6
50	TS-0680031	Flat Washer / Flache Unterlegscheibe / Rondelle plate	5/16	12
51	TS-0720081	Lock Washer / Sicherungsscheibe / Rondelle de blocage	5/16	6
52	TS-0640081	Hex Nut / Sechskantmutter / Écrou hexagonal	5/16-18	6
53	TS-0208021	Socket Head Cap Screw / Zylinderschraube mit Innensechskant / Vis à tête cylindrique à six pans creux	5/16-18 x 1/2	6
54	DDS225-254	Hex Nut / Sechskantmutter / Écrou hexagonal	1/4-20	8
55	TS-0050081	Hex Head Screw / Sechskantschraube / Vis à tête hexagonale	1/4-20 x 1-3/4	8
56	DDS225-256	Shield / Abschirmung / Bouclier		1
57	TS-0680021	Flat Washer / Flache Unterlegscheibe / Rondelle plate	1/4	10
58	DDS225-258	Screw / Schraube / Vis	1/4-20 x 1/4	2
59	DDS237-259	Upper Bracket / Obere Halterung / Support supérieur		4
60	DDS237-260	Boot / Stiefel / Botte	1/4-20 x 1/4	4
61	TS-081C022	Screw / Schraube / Vis	#10-24x3/8	8
62	TS-0680011	Flat Washer / Flache Unterlegscheibe / Rondelle plate	3/16	8
63	DDS237-257	lower Bracket / untere Klammer / Support inférieur		4
65	DDS225-336	Hex Head Screw / Sechskantschraube / Vis à tête hexagonale	1/4-20 x 3/8	8
66	DDS237-266	Special Washer / Spezial-Unterlegscheibe / Rondelle spéciale		8
67	TS-0267051	Set Screw / Stellschraube / Vis de réglage	1/4-20x1/2	7
68	DDS225-268	Special Nut / Spezialmutter / Ecrou spécial		4
69	TS-0267021	Set Screw / Stellschraube / Vis de réglage	1/4-20x1/4	1

EXPLOSION DRAWING / ERSATZTEILZEICHNUNG / VUE ÉCLATÉE

DDS-237 (7.5 HP)



PART LIST / ERSATZTEILLISTE / LISTE DES PIÈCES DÉTACHÉES

DDS-237 (7.5 HP)

Index No.	Part No.	Description	Size	Qty.
1	DDS237-301A	Cabinet / Kabinett / Armoire		1
2	DDS237-302	Support Bracket-Front / Haltebügel-Vorderteil / Support avant		1
3	DDS237-303	Support Bracket-Rear / Haltebügel-Rückseite / Support arrière		1
4	DDS237-304	Motor Plate / Motorplatte / Plaque du moteur		1
5	DDS237-305	Motor Pulley / Motorriemenscheibe / Poulie du moteur		1
6	DDS237-306AE	Motor / Motor / Moteur	7.5HP, 3Ph, 400V	1
7	DDS225-307	Adjusting Screw / Justierschraube / Vis de réglage		2
8	DDS225-308	Hinge / Scharnier / Charnière		3
9	DDS225-309	Fixed Block / Feststehender Block / Bloc fixe		1
10	DDS225-310	Cylinder / Zylinder / Cylindre		1
11	DDS237-311	Flow Deflector / Strömungsumlenker / Déflecteur de flux		1
12	DDS237-312A	Top Cover / Obere Abdeckung / Couvercle supérieur		1
13	DDS225-313	Dust Chute / Staubschacht / Goulotte à poussière		2
14	DDS225-314A	Roller Holder / Rollenhalterung / Porte-rouleau		1
15	DDS225-315	Idle Roller / Leerlaufrolle / Rouleau de ralenti		1
16	DDS237-316	Switch Bracket / Schalterhalterung / Support d'interrupteur		1
17	DDS225-317	Direction Label / Richtungsschild / Étiquette de direction		1
18	DDS225-318E	Scale / Skala / Échelle		1
19	DDS225-319A	Spacer / Abstandshalter / Entretoise		1
20	DDS225-320	Right Door Latch / Rechte Türverriegelung / Loquet de la porte droite		2
	DDS225-320A	Left Door Latch / Linke Türverriegelung / Loquet de la porte gauche		1
21	DDS225-321	Handle / Handgriff / Poignée		1
22	DDS237-322AE	Magnetic Switch (for 7.5HP) / Magnetischer Schalter / Interrupteur magnétique		1
	DDS237-322AEC	Contactator / Schütz / Contacteur		1
	DDS237-322AEO	Overload / Überlast / Surcharge		1
23	DDS237-323AE	Power Cord / Netzkabel / Cordon d'alimentation		1
24	DDS225-324AE	Strain Relief / Zugentlastung / Soulagement de la tension		5
25	DDS225-325	Key / Schlüssel / Clé	5 x 5 x55 mm	1
26	DDS225-326	Screw / Schraube / Vis	3/16-24 x 1/2	18
27	TS-0720051	Lock Washer / Sicherungsscheibe / Rondelle de blocage	#10	2
28	DDS225-328	Socket Head Cap Screw / Zylinderschraube mit Innensechskant / Vis à tête cylindrique à six pans creux	3/8-16 x 3/4	6
29	TS-0720091	Lock Washer / Sicherungsscheibe / Rondelle de blocage	3/8	10
30	TS-1550071	Flat Washer / Flache Unterlegscheibe / Rondelle plate	M10	4
31	DDS225-313	Socket Head Cap Screw / Zylinderschraube mit Innensechskant / Vis à tête cylindrique à six pans creux	M8 x25	1
32	TS-0207021	Socket Head Cap Screw / Zylinderschraube mit Innensechskant / Vis à tête cylindrique à six pans creux	1/4-20 x 1/2	1
33	TS-0720071	Lock Washer / Sicherungsscheibe / Rondelle de blocage	1/4	26
34	DDS225-334	Shoulder Screw / Schulterschraube / Vis à épaulement	M8 X1.25P X11	1
35	DDS225-335	Hex Nylon Lock Nut / Sechskant-Nylon-Sicherungsmutter / Contre-écrou hexagonal en nylon	M8	2
36	DDS225-336	Hex Head Screw / Sechskantkopfschraube / Vis à tête hexagonale	1/4-20 X1/2	6
37	TS-0680021	Flat Washer / Flache Unterlegscheibe / Rondelle plate	1/4	16
38	TS-0050011	Hex Cap Screw / Sechskantschraube / Vis à tête hexagonale	1/4-20 x 1/2	6
39	TS-0208041	Socket Head Cap Screw / Zylinderschraube mit Innensechskant / Vis à tête cylindrique à six pans creux	5/16-18 x 3/4	2
40	TS-0561021	Hex Nut / Sechskantmutter / Ecrou hexagonal	5/16-18	3
41	TS-1505021	Socket Head Cap Screw / Zylinderschraube mit Innensechskant / Vis à tête cylindrique à six pans creux	M10x20	1

PART LIST / ERSATZTEILLISTE / LISTE DES PIÈCES DÉTACHÉES

DDS-237 (7.5 HP)

Index No.	Part No.	Description	Size	Qty.
42	TS-1550071	Flat Washer / Flache Unterlegscheibe / Rondelle plate	M10	1
43	DDS225-343	Socket Set Screw / Stellschraube mit Innensechskant / Vis à tête creuse	5/16-18 x 1/2	2
44	TS-0561031	Hex Nut / Sechskantmutter / Ecrou hexagonal	3/8-16NC	10
45	DDS225-345	Hex Cap Screw / Sechskantschraube / Vis à tête hexagonale	3/8-16NC x 1-1/2	4
46	DDS225-346	Shoulder Screw / Schulterschraube / Vis à épaulement		1
47	TS-0208061	Hex Cap Screw / Sechskantschraube / Vis à tête hexagonale	5/16-18 x 1	1
48	TS-081F032	Phillips Pan Head Machine Screw / Phillips-Kreuzschlitz-Maschinenschraube / Vis à tête cylindrique Phillips	1/4-20 x 1/2	4
50	DDS225-350	Label (Drum Setting Gauge) / Etikett (Trommeleinstelllehre) / Étiquette (jauge de réglage de la batterie)		2
51	DDS225-351	Flat Washer / Flache Unterlegscheibe / Rondelle plate	5/16	1
52	DDS225-352	Flat Washer / Flache Unterlegscheibe / Rondelle plate	3/8	8
53	DDS225-353	Strain Relief / Zugentlastung / Soulagement de la tension		2
54	DDS237-354AE	Motor Cord / Motorkabel / Cordon du moteur		1
55	DDS237-355	Front Cover / Frontabdeckung / Couvercle avant		1
56	TS-1550031	Flat Washer / Flache Unterlegscheibe / Rondelle plate	3/16	26
58	DDS225-358	Screw / Schraube / Vis	3/16-24 x 3/8	14
59	DDS237-359	Rear Cover / Hintere Abdeckung / Couvercle arrière		1
60	DDS225-360	Self Tapping Screw / Selbstschneidende Schraube / Vis autotaraudeuse	1/4 x 1/2	2
61	TS-069204	Flat Washer / Flache Unterlegscheibe / Rondelle plate	SAE #10	2
62	DDS225-362	Lock Piece / Verschlussstück / Pièce de blocage		2
63	DDS225-363	Plastic Nut / Kunststoffmutter / Écrou en plastique		2
64	DDS225-364	Lock Housing / Schlossgehäuse / Boîtier de verrouillage		2
65	DDS225-365	Lock Knob / Schlossknopf / Bouton de verrouillage		2
66	DDS225-366	Socket Head Cap Screw / Zylinderschraube mit Innensechskant / Vis à tête cylindrique à six pans creux	1/4-20x 1/2	4
67	TS-0720071	Lock Washer / Sicherungsscheibe / Rondelle de blocage	1/4	4
68	DDS225-368	Holder / Halterung / Support		2
69	DDS237-369	Plate / Teller / Plaque		1
70	TS-1490111	Hex Cap Screw / Sechskantschraube / Vis à tête hexagonale	M8 x 60	2
71	DDS225-371	Flat Washer / Flache Unterlegscheibe / Rondelle plate	M8	4
72	DDS225-372	Spring / Frühling / Printemps		2
73	TS-1540061	Hex Nut / Sechskantmutter / Ecrou hexagonal	M8	2
74	TS-081F022	Phillips Pan Head Machine Screw / Phillips-Kreuzschlitz-Maschinenschraube / Vis à tête cylindrique Phillips	1/4-20 x 5/16	4
75	DDS225-375	Screw / Schraube / Vis	3/16-24 x 1-1/4	2
76	DDS225-376	Limit Switch / Endschalter / Interrupteur de fin de course		1
77	DDS225-377	Cord Holder / Kabelhalterung / Support de cordon		2
78	DDS225-378AEA	Cord, Limit Switch / Kabel, Endschalter / Cordon, interrupteur de fin de course		1
79	DDS237-379AE	Switch Cord, Mag Switch to Power Switch / Schalterkabel, Magnetschalte zum Netzschalter / Cordon de l'interrupteur, de l'interrupteur Mag à l'interrupteur d'alimentation		1
81	DDS225-381AE	Switch Cover / Schalterabdeckung / Couvercle de l'interrupteur		1
82	DDS225-382AE	Power Switch / Netzschalter / Interrupteur d'alimentation		1
83	DDS225-383AE	Switch Bracket / Schalterhalterung / Support d'interrupteur		1
84	DDS225-384	Top Cover Warning Label (Not Shown) / Warnschild auf der oberen Abdeckung (nicht abgebildet) / Étiquette d'avertissement du couvercle supérieur (non illustrée)		1
85	DDS225-385	Logo / Logo / Logo		1

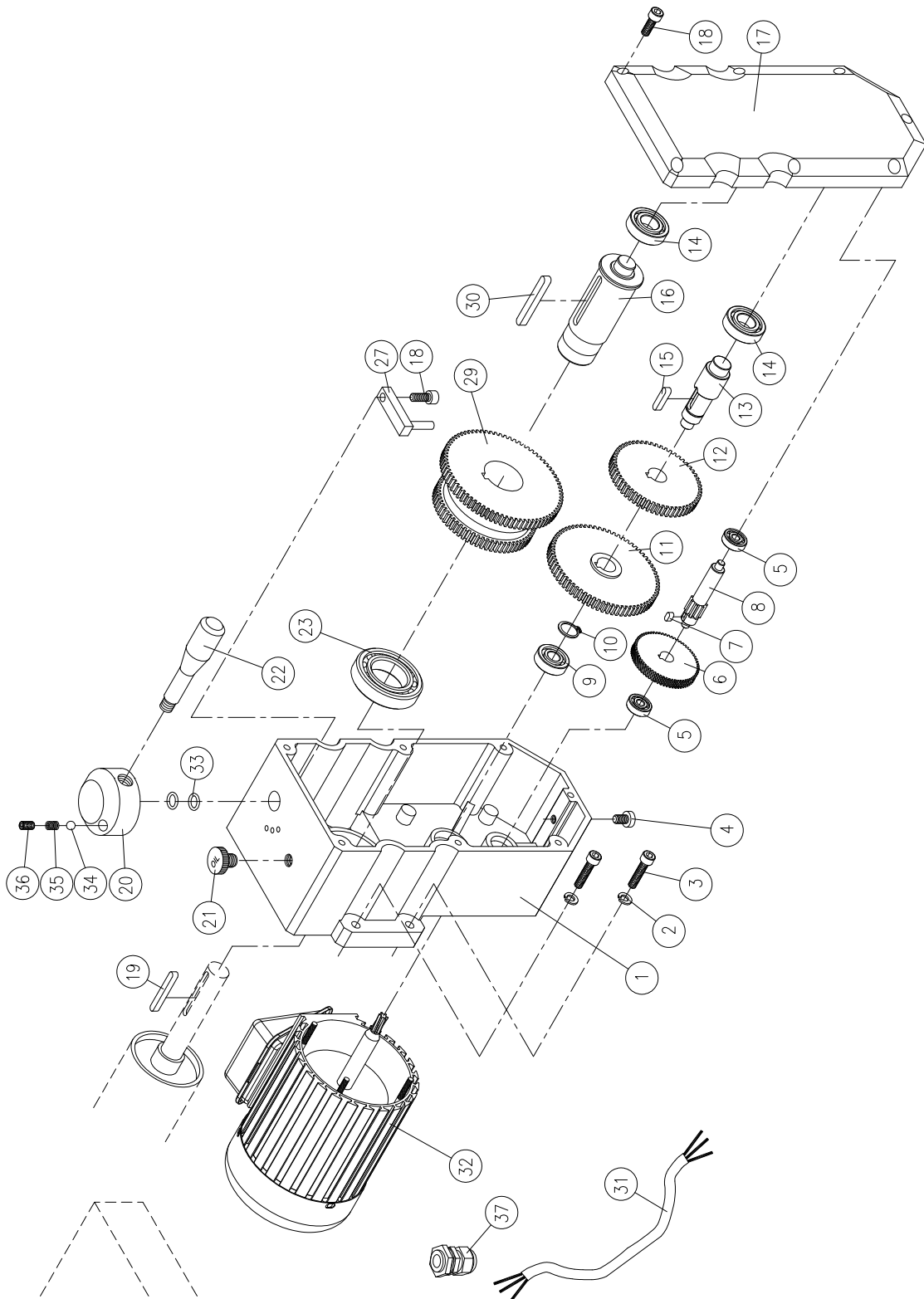
PART LIST / ERSATZTEILLISTE / LISTE DES PIÈCES DÉTACHÉES

DDS-237 (7.5 HP)

Index No.	Part No.	Description	Size	Qty.
86	DDS225-386	I.D. Label / Kennzeichnungsschild / Étiquette I.D.		1
87	TS-2361101	Lock Washer / Sicherungsscheibe / Rondelle de blocage	M10	1
88	DDS225-388	Table Warning Label (Not Shown) / Tisch-Warnschild (nicht abgebildet) / Tableau Étiquette d'avertissement (non illustrée)		2
89	DDS225-389	Plug for Power Cord / Stecker für Netzkabel / Fiche du cordon d'alimentation		1
90	DDS225-390	Running Direction Label (Not Shown) / Laufrichtungsetikett (nicht abgebildet) / Étiquette de sens de marche (non illustrée)		1
91	DDS225-391	Switch Lock / Schalterschloss / Verrouillage de l'interrupteur		1
92	DDS225-392	Pad / Unterlage / Tampon		4
93	DDS225-393	Cord, Limit Switch / Kabel, Endschalter / Cordon, interrupteur de fin de course		1
94	TS-1540021	Hex Nut / Sechskantmutter / Ecrou hexagonal	M4	4
95	TS-1550021	Flat Washer / Flache Unterlegscheibe / Rondelle plate	M4	6
96	DDS225-396	Screw / Schraube / Vis	M4x12	4
97	DDS225-397	Safety Key Support Bracket / Halterung für Sicherheitsschlüssel / Support de la clé de sécurité		1
98	DDS225-398	Screw / Schraube / Vis	M4x30	2
99	DDS225-399	Limit Switch / Endschalter / Interrupteur de fin de course		1
100	DDS225-3100	Strain Relief / Zugentlastung / Soulagement de la tension		2
	DDS225-SKWC	Safety Key w/Chain (including, #101, #102) / Sicherheitsschlüssel mit Kette (einschließlich, #101, #102) / Clé de sécurité avec chaîne (y compris, #101, #102)		1
101	DDS225-3101	Safety Key / Sicherheitsschlüssel / Clé de sécurité		1
102	DDS225-3102	Chain / Kette / Chaîne		1
103	DDS225-3103	Strain Relief / Zugentlastung / Soulagement de la tension		1

EXPLOSION DRAWING / ERSATZTEILZEICHNUNG / VUE ÉCLATÉE

DDS-237 (7.5 HP)



PART LIST / ERSATZTEILLISTE / LISTE DES PIÈCES DÉTACHÉES

DDS-237 (7.5 HP)

Index No.	Part No.	Description	Size	Qty.
	DDS225-GBA	Complete Gearbox Assembly w/Motor / Komplette Getriebebaugruppe mit Motor / Boîte de vitesses complète avec moteur	400V	1
	DDS225-401CGA	Complete Gearbox Assembly wo/Motor / Komplette Getriebebaugruppe mit Motor / Boîte de vitesses complète avec moteur		1
1	DDS225-401A	Gearbox Body / Getriebekörper / Corps de la boîte de vitesses		1
2	TS-0720071	Lock Washer / Sicherungsscheibe / Rondelle de blocage	1/4	4
3	TS-0207071	Socket Head Cap Screw / Zylinderschraube mit Innensechskant / Vis à tête cylindrique à six pans creux	1/4-20 x 1-1/4	4
4	DDS225-404	Drain Plug / Ablassschraube / Bouchon de vidange		1
5	BB-626VV	Ball Bearing / Kugellager / Roulement à billes		2
6	DDS225-406	Gear / Getriebe / Engrenage	66T	1
7	DDS225-407	Key / Schlüssel / Clé	4 x 4 x 8	1
8	DDS225-408	Pinion / Ritzel / Pignon		1
9	BB-6000VV	Ball Bearing / Kugellager / Roulement à billes	6000VV	1
10	DDS225-410	C-Ring / C-Ring / Anneau en C		1
11	DDS225-411	Gear / Getriebe / Engrenage	70T	1
12	DDS225-412	Gear / Getriebe / Engrenage	57T	1
13	DDS225-413	Shaft / Welle / Arbre		1
14	BB-6002VV	Ball Bearing / Kugellager / Roulement à billes	6002VV	2
15	DDS225-415	Key / Schlüssel / Clé	5 x 5 x 20	1
16	DDS225-416	Shaft / Welle / Arbre		1
17	DDS225-417	Cover / Abdeckung / Couverture		1
18	TS-1503041	Socket Head Cap Screw / Zylinderschraube mit Innensechskant / Vis à tête cylindrique à six pans creux	M6 x 16	8
19	DDS225-419	Key / Schlüssel / Clé	5 x 5 x 30	1
20	DDS225-420	Collar / Halsband / Collier		1
21	DDS225-421	Oil Plug / Ölstopfen / Bouchon d'huile		1
22	DDS225-422	Handle / Handgriff / Poignée		1
23	BB-6006VV	Ball Bearing / Kugellager / Roulement à billes		1
27	DDS225-427	Block / Block / Bloc		1
29	DDS225-429A	Gear Assembly / Getriebemontage / Assemblage de l'engrenage	64T / 77T	1
30	DDS225-430	Key / Schlüssel / Clé	6 x 6 x 50	1
31	DDS225-431AE	Cable / Kabel / Câble		1
32	DDS225-432AE	Motor (Not available separately) / Motor (nicht separat erhältlich) / Moteur (non disponible séparément)	1/4HP, 3PH, 400V	1
33	DDS225-433	Gasket / Dichtung / Joint d'étanchéité		2
34	DDS225-434	Steel Ball / Stahlkugel / Boule d'acier		1
35	DDS225-435	Spring / Feder / Ressort		1
36	TS-1523011	Socket Set Screw / Stellschraube mit Innensechskant / Vis à tête creuse	M6 x 6	1
37	DDS225-324AE	Strain Relief / Zugentlastung / Décharge de traction		1
	DDS225-GG	Gearbox Gasket (not shown) / Getriebedichtung (nicht abgebildet) / Joint de boîte de vitesses (non illustré)		1

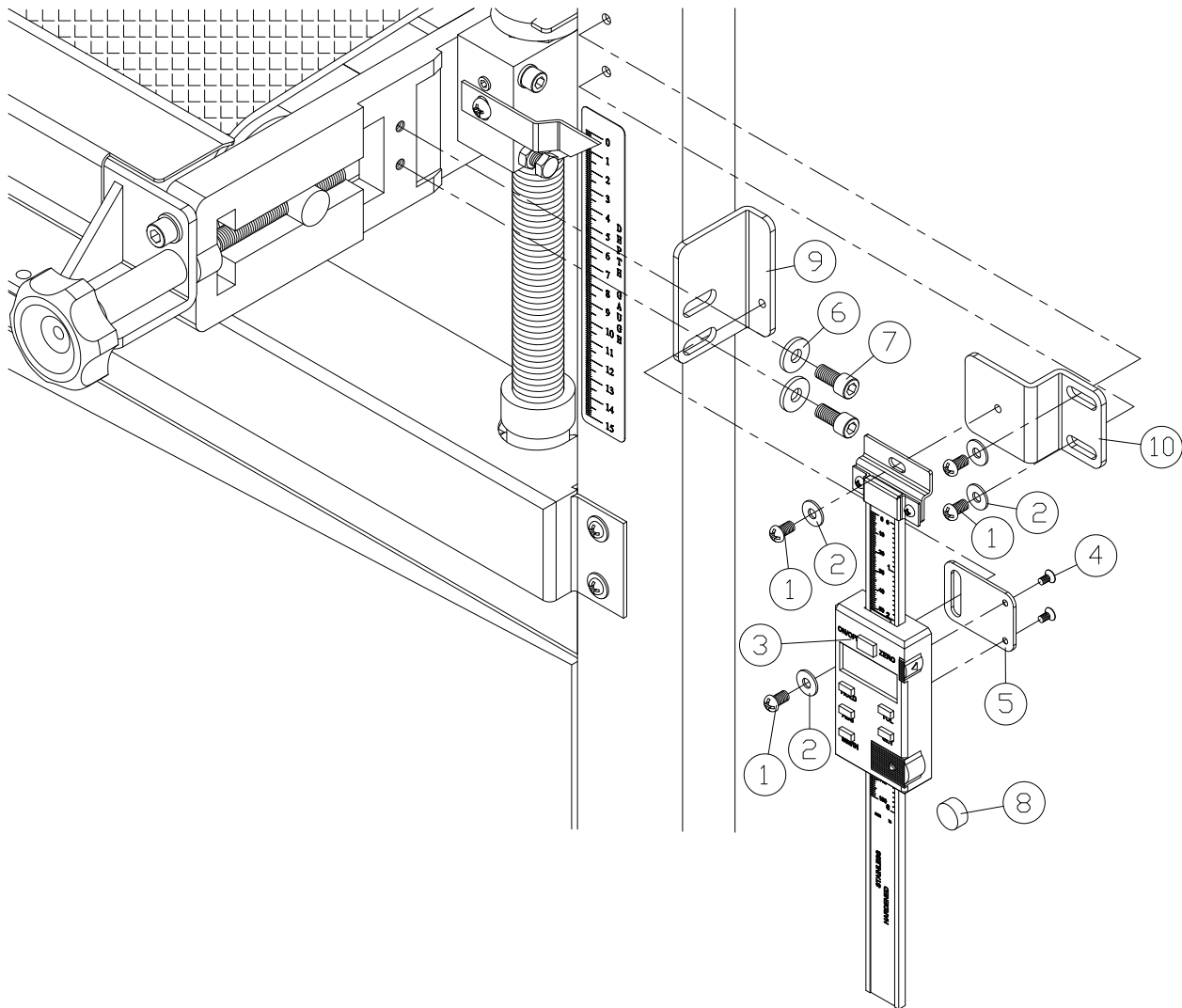
* NOTE: change gearbox oil every 2,500 operating hours (gearbox oil or analogues, SAE90, 0.7 liter)

* HINWEIS: Getriebeöl alle 2.500 Betriebsstunden wechseln (Getriebeöl, SAE90, 0,7 Liter)

* REMARQUE : changer l'huile de boîte de vitesses toutes les 2 500 heures de fonctionnement (huile de boîte de vitesses, SAE90, 0,7 litre).

EXPLOSION DRAWING / ERSATZTEILZEICHNUNG / VUE ÉCLATÉE

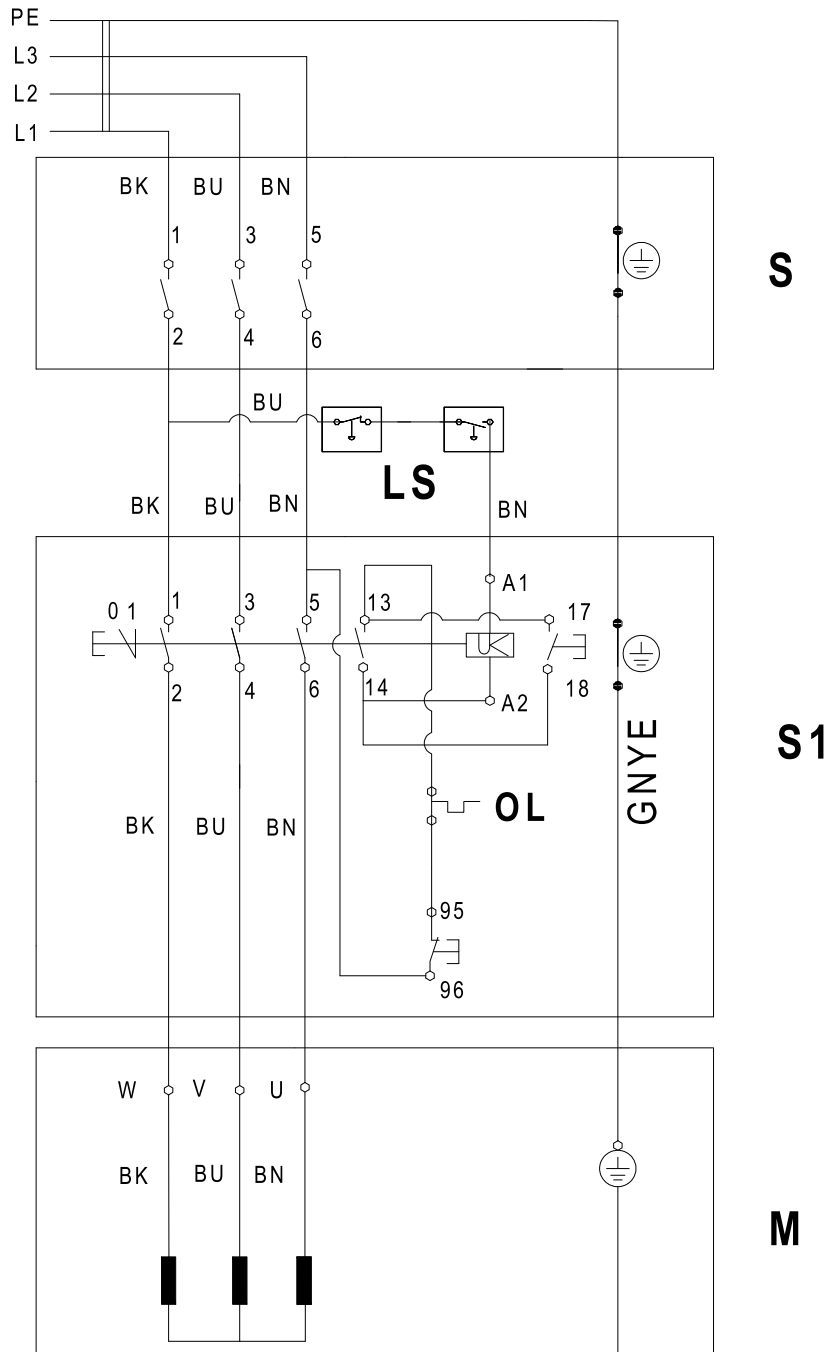
DDS-237 (7.5 HP)



Index No.	Part No.	Description	Size	Qty.
	DDS225-DROA	Digital Readout Assembly (Includes index #1 ~ #10) / Digitalanzeige-Baugruppe (enthält Index #1 ~ #10) / Ensemble de lecture numérique (comprend les index #1 ~ #10)		1
1	TS-0680011	Flat Washer / Unterlegscheibe / Rondelle plate	3/16	4
2	DDS225-502	Screw / Schraube / Vis	3/16-24x5/16	4
3	15S-314	Digital Readout / Digitalanzeige / Afficheur numérique		1
4	DDS225-504	Flat Head Machined Screw / Bearbeitete Flachkopfschraube / Vis à tête plate usinée	M3x.05Px5	2
5	DDS225-505A	Bracket / Halterung / Support		1
6	TS-0680021	Flat Washer / Unterlegscheibe / Rondelle plate	1/4	2
7	TS-0207021	Socket Head Cap Screw / Zylinderschraube mit Innensechskant / Vis à tête cylindrique à six pans creux	1/4-20x1/2	2
8	15S-600	Battery / Batterie / Batterie	1.5 Volt	1
9	DDS225-509	Lower Bracket / Untere Halterung / Support inférieur		1
10	DDS225-510	Upper Bracket / Obere Halterung / Support supérieur		1

ELECTRICAL DIAGRAM / ELEKTRISCHE ANLAGE / SCHÉMA ÉLECTRIQUE

DDS-237.....10000649T.....3~400V, 50Hz

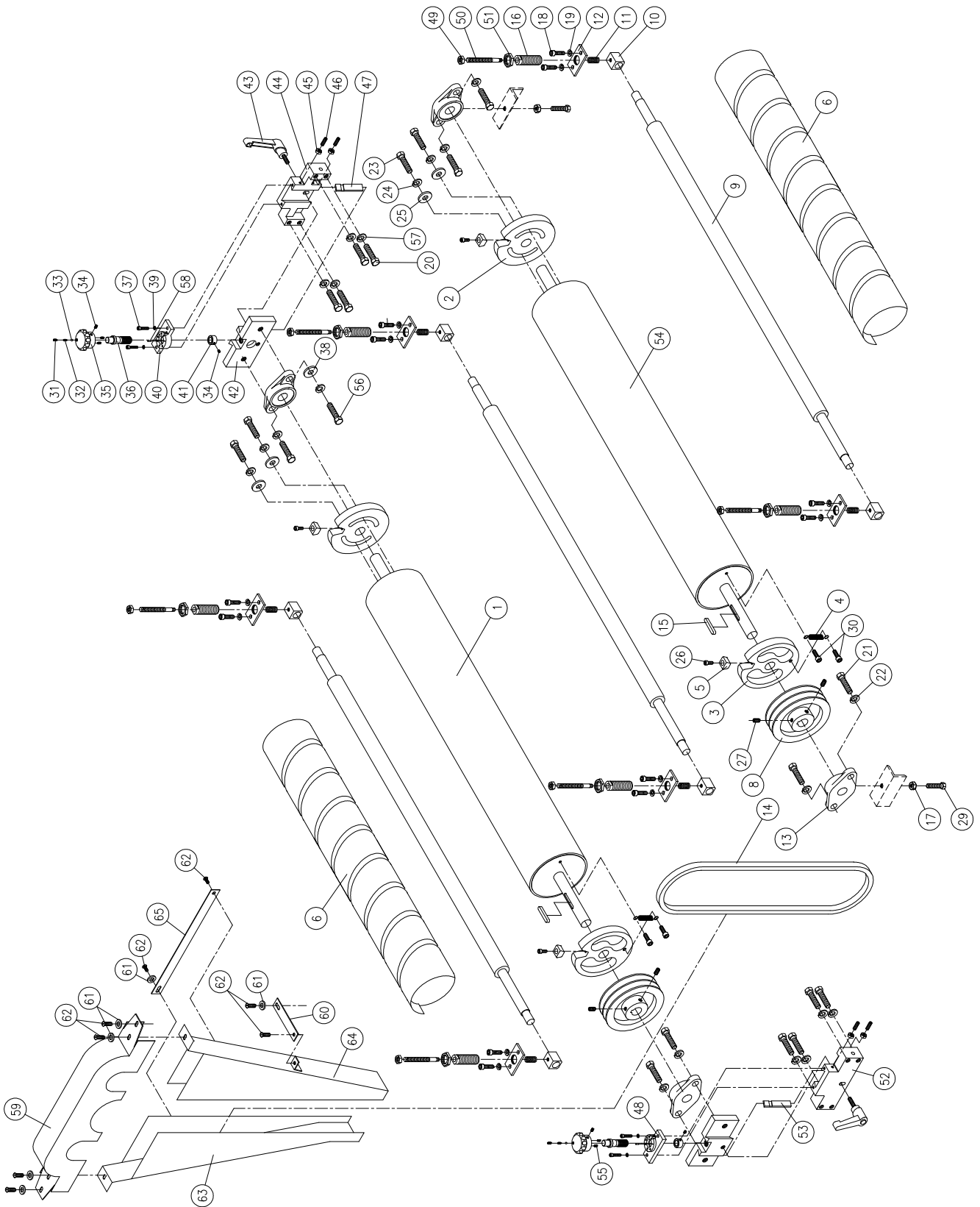


	colour of strands	Litzenfarben	couleur des cordons
BK	black	schwarz	noir
WH	white	weiß	blanc
BU	blue	blau	bleu
YE	yellow	gelb	jaune
RD	red	rot	rouge
BN	brown	braun	brun
GY	grey	grau	gris
GNYE	green-yellow	grün-gelb	vert-jaune
OG	orange	orange	orange
VT	violet	violett	violet

	meaning of symbol	Bedeutung der Zeichen	interprétation
M	motor	Motor	moteur
S	switch condenser	Schalter	interrupteur
C	electronic unit	Kondensator	condensateur
E	fuse	Elektronik Einheit	unité électronique
F	reversing switch	Sicherung	fusible
RS	centrifugal switch	Drehrichtungsschalter	commu. droite/gauche
CS	overload cut-off	Fliehkraftschalter	déclencheur centrifuge
OL	limit switch	Überlastschuttschalter	déclencheur surcharge
LS		Positionsendschalter	micro

EXPLOSION DRAWING / ERSATZTEILZEICHNUNG / VUE ÉCLATÉE

DDS-237 (10 HP)



PART LIST / ERSATZTEILLISTE / LISTE DES PIÈCES DÉTACHÉES

DDS-237 (10 HP)

Index No.	Part No.	Description	Size	Qty.
1	DDS237-101B	Rear Drum / Hintere Trommel / Tambour arrière		1
2	DDS225-102A	Abrasive Fastener-Right / Schleifmittelbefestigung-Rechts / Attache abrasive droite		2
3	DDS225-103A	Abrasive Fastener-Left / Schleifmittelbefestigung-Links / Attache abrasive gauche		2
4	DDS225-104	Spring / Feder / Ressort		2
5	DDS225-105	Locking Wedge / Arretierkeil / Cale de verrouillage		4
6	DDS237-106	Abrasive (80 Grit) / Schleifmittel (80er Körnung) / Abrasif (grain 80)		1
	DDS237-106A	Abrasive (100 Grit) / Schleifmittel (100er Körnung) / Abrasif (100 grains)		1
7	DDS225-107	Support Bracket / Stützbügel / Support d'appui		2
8	DDS225-108	Pulley / Riemenscheibe / Poulie		2
9	DDS237-109	Tension Roller / Spannrolle / Rouleau tendeur		3
10	DDS225-110	Bushing / Buchse / Douille		6
11	DDS225-111	Spring / Feder / Ressort		6
12	DDS225-112	Bracket / Halterung / Support		6
13	DDS225-113	Bearing Assembly / Lagereinheit / Assemblage du palier	UCFL205	4
14	VB-B69	Belt / Riemen / Courroie		2
15	DDS225-115	Key / Schlüssel / Clé	8 x 7 x 50	2
16	DDS225-116	Adjusting Bushing / Justierbuchse / Douille de réglage		6
17	TS-0561031	Hex Nut / Sechskantmutter / Écrou hexagonal	3/8-16	2
18	DDS225-118	Hex Cap Screw / Sechskantschraube / Vis à tête hexagonale	5/16-18 x 5/8	12
19	TS-0720081	Lock Washer / Sicherungsscheibe / Rondelle de blocage	5/16	12
20	TS-0060071	Hex Cap Screw / Sechskantschraube / Vis à tête hexagonale	3/8-16 x 1-1/4	8
21	DDS225-121	Hex Cap Screw / Sechskantschraube / Vis à tête hexagonale	1/2-13 x 1-1/2	4
22	TS-0720111	Lock Washer / Sicherungsscheibe / Rondelle de blocage	1/2	8
23	DDS225-123	Hex Cap Screw / Sechskantschraube / Vis à tête hexagonale	3/8-16 x 1-3/4	4
24	TS-0720091	Lock Washer / Sicherungsscheibe / Rondelle de blocage	3/8	8
25	TS-1550071	Flat Washer / Flache Unterlegscheibe / Rondelle plate	M10	4
26	TS-0207061	Socket Head Cap Screw / Zylinderschraube mit Innensechskant / Vis à tête cylindrique à six pans creux	1/4-20 x 1	4
27	DDS225-127	Socket Set Screw / Gewindestift mit Innensechskant / Vis à tête creuse	5/16-18 x 1/2	4
29	TS-0060051	Hex Cap Screw / Sechskantschraube / Vis à tête hexagonale	3/8-16 x 1	2
30	TS-0208021	Socket Head Cap Screw / Zylinderschraube mit Innensechskant / Vis à tête cylindrique à six pans creux	5/16-18 x 1/2	4
31	TS-0270051	Socket Set Screw / Gewindestift mit Innensechskant / Vis à tête creuse	5/16-18 x 1/2	2
32	DDS225-132	Spring / Feder / Ressort		2
33	DDS225-133	Steel Ball / Stahlkugel / Boule en acier	Ø1/4	2
34	DDS225-134	Socket Set Screw / Gewindestift mit Innensechskant / Vis à tête creuse	1/4-20 x 1/4	4
35	DDS225-135	Adjusting Knob / Justierknopf / Bouton de réglage		2
36	DDS225-136	Lead Screw / Leitspindel / Vis de plomb		2
37	TS-0207041	Socket Head Cap Screw / Zylinderschraube mit Innensechskant / Vis à tête cylindrique à six pans creux	1/4-20 x 3/4	4
38	TS-0680061	Flat Washer / Flache Unterlegscheibe / Rondelle plate	1/2	4
39	TS-0720071	Lock Washer / Sicherungsscheibe / Rondelle de blocage	1/4	4
40	DDS225-140	Top Cover-Right / Obere Abdeckung – rechts / Couvercle supérieur droit		1
41	DDS225-141	Collar / Kragen / Collier		2
42	DDS225-142	Slide / Schieber / Coulisseau		2

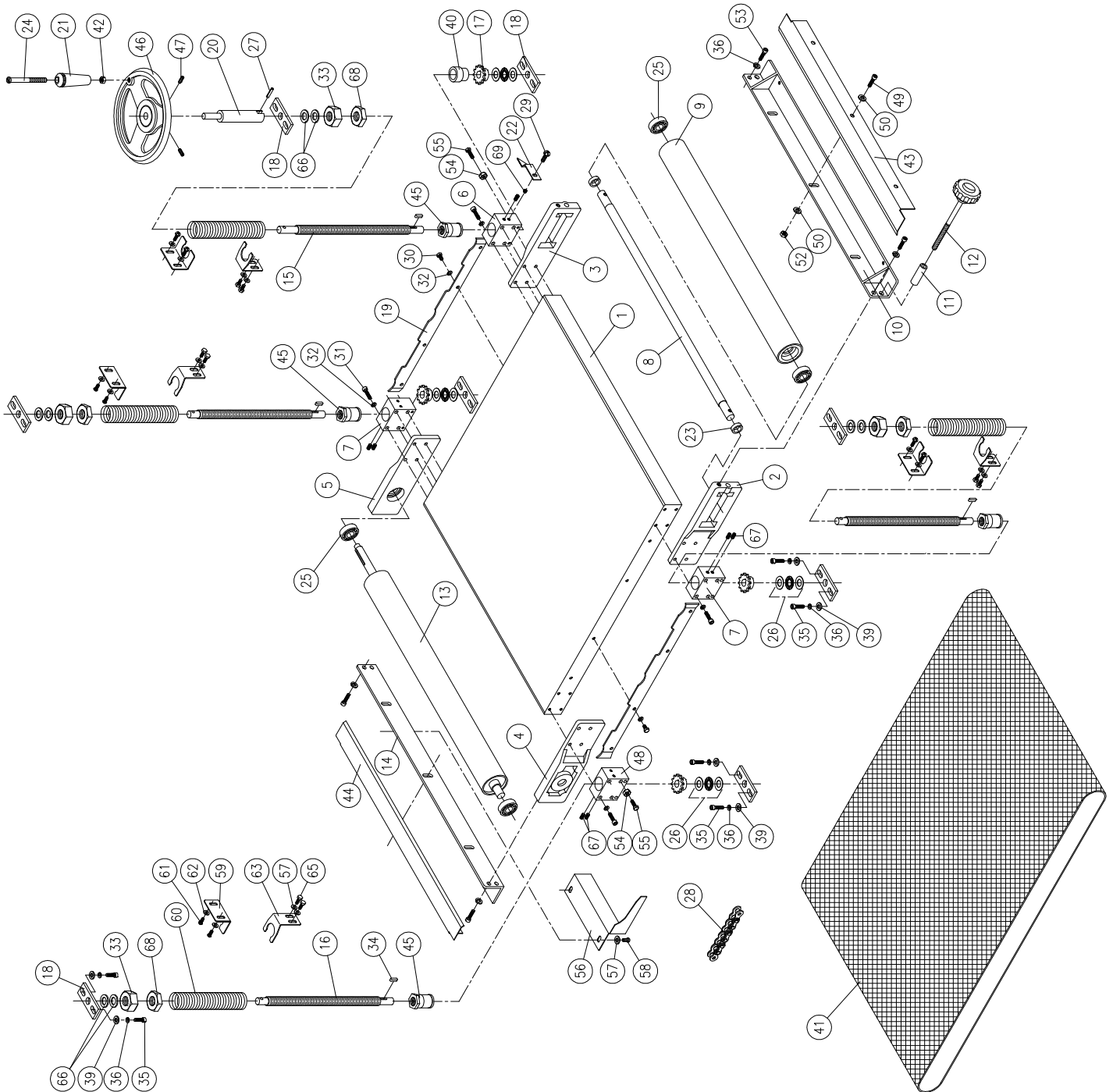
PART LIST / ERSATZTEILLISTE / LISTE DES PIÈCES DÉTACHÉES

DDS-237 (10 HP)

Index No.	Part No.	Description	Size	Qty.
43	DDS225-143	Locking Lever / Verriegelungshebel / Levier de verrouillage		2
44	DDS225-144	Slide Bracket-Right / Schlittenhalterung-Rechts / Support de glissière-droit		1
45	TS-0561011	Hex Nut / Sechskantmutter / Écrou hexagonal	1/4-20	4
46	TS-0267091	Socket Set Screw / Gewindestift mit Innensechskant / Vis à tête creuse	1/4-20 x 1	4
47	DDS225-147	Gib-Right / Gib-Rechts / Couvercle droit		1
48	DDS225-148	Top Cover-Left / Obere Abdeckung-Links / Couvercle supérieur gauche		1
49	TS-1541041	Hex Nylon Lock Nut / Sechskant-Nylon-Sicherungsmutter / Contre-écrou hexagonal en nylon	M10	6
50	DDS225-150	Adjusting Screw / Justierschraube / Vis de réglage		6
51	DDS225-151	Hex Nut / Sechskantmutter / Écrou hexagonal	M22 x 1.5P x 5T	6
52	DDS225-152	Slide Bracket-Left / Schiebepögel-Links / Support coulissant gauche		1
53	DDS225-153	Gib-Left / Gib-Links / Gorge gauche		1
54	DDS237-154B	Front Drum / Vordere Trommel / Tambour avant		1
55	TS-1521021	Socket Set Screw / Gewindestift mit Innensechskant / Vis à tête creuse	M4 x 10L	4
56	DDS225-156	Hex Cap Screw / Sechskantschraube / Vis à tête hexagonale	1/2-13x 1-1/4	4
57	TS-0720091	Lock Washer / Sicherungsscheibe / Rondelle de blocage	3/8	8
58	DDS225-158	Roll Pin / Rollenbolzen / Goupille d'enroulement	Ø2 x 8mm	2
59	DDS237-159	Top bracket of Pulley Guard / Obere Halterung des Riemenscheibenschutzes / Support supérieur de la protection de poulie		1
60	DDS225-160	Bracket / Halterung / Support		2
61	DDS225-161	Flat Washer / Flache Unterlegscheibe / Rondelle plate	1/4"	6
62	DDS225-162	Screw / Schraube / Vis	1/4"-20 x 3/8	8
63	DDS237-163	Left Bracket of Pulley Guard / Linke Halterung des Riemenscheibenschutzes / Support gauche de la protection de poulie		1
64	DDS237-164	Right Bracket of Pulley Guard / Rechte Halterung des Riemenscheibenschutzes / Support droit de la protection de la poulie		1
65	DDS237-165	Linking Plate / Verkettungsplatte / Plaque de liaison		1
	DDS225-LSBA	Left Slide Bracket Assembly / Linke Schlittenhalterung / Ensemble du support coulissant gauche (index # 31-37 ,39, 41-43, 45-46, 48,52,53, 55,58)		1
	DDS225-RSBA	Right Slide Bracket Assembly / Rechte Schlittenhalterung / Assemblage du support coulissant droit (index #31-37 ,39-47, 55,58)		1

EXPLOSION DRAWING / ERSATZTEILZEICHNUNG / VUE ÉCLATÉE

DDS-237 (10 HP)



PART LIST / ERSATZTEILLISTE / LISTE DES PIÈCES DÉTACHÉES

DDS-237 (10 HP)

Index No.	Part No.	Description	Size	Qty.
1	DDS237-201	Table / Tisch / Table		1
2	DDS225-202	Support Bracket, Left-Front / Haltebügel, links-vorne / Support de fixation, avant gauche		1
3	DDS225-203	Support Bracket, Right-Front / Haltebügel, rechts-vorne / Support de fixation, avant droit		1
4	DDS225-204	Support Bracket, Left-Rear / Haltebügel, links-hinten / Support de fixation, arrière gauche		1
5	DDS225-205	Support Bracket, Right-Rear / Halterung, rechts-hinten / Support de fixation, arrière droit		1
6	DDS225-206B	Leadscrew Holder, Right-Front / Leitspindelhalterung, rechts-vorne / Porte-vis, avant droit		1
7	DDS225-207B	Leadscrew Holder, Left-Front and Right-Rear / Leitspindelhalterung, links-vorne und rechts-hinten / Porte-vis, avant gauche et arrière droite		2
8	DDS237-208	Rod / Stange / Tige		1
9	DDS237-209	Front Roller / Vordere Rolle / Rouleau avant		1
10	DDS237-210	Front Support Plate / Vordere Stützplatte / Plaque de support avant		1
11	DDS225-211	Collar / Manschette / Collier		2
12	DDS225-212	Adjusting Knob / Einstellknopf / Bouton de réglage		2
13	DDS237-213	Rear Roller / Hintere Rolle / Rouleau arrière		1
14	DDS237-214	Rear Support Plate / Hintere Stützplatte / Plaque de support arrière		1
15	DDS225-215A	Drive Leadscrew / Antriebsgewindespindel / Vis d'entraînement		1
16	DDS225-216A	Driven Leadscrew / Angetriebene Gewindespindel / Vis d'entraînement		3
17	DDS225-217	Sprocket / Ritzel / Roue dentée		4
18	DDS225-218	Support Bracket / Stützbügel / Support d'appui		8
19	DDS225-219	Guide Plate / Führungsplatte / Plaque de guidage		2
20	DDS225-220	Post / Pfosten / Poteau		1
21	DDS225-221	Handle / Handgriff / Poignée		1
22	DDS225-222	Pointer / Zeiger / Pointeur		1
23	DDS225-223	Collar / Manschette / Collier		2
24	DDS225-224	Bolt / Bolzen / Boulon		1
25	BB-6203ZZ	Ball Bearing / Kugellager / Roulement à billes	6203ZZ	4
26	DDS225-226	Thrust Bearing / Axiallager / Roulement à billes		4
27	DDS225-227	Roll Pin / Spannstift / Goupille de roulement	Ø6 x 25mm	1
28	DDS237-228	Chain / Kette / Chaîne		1
29	TS-081F022	Phillips Pan Head Machine Screw / Kreuzschlitz-Maschinenschraube / Vis à tête cylindrique Phillips	1/4-20 x 3/8	1
30	TS-0050011	Hex Cap Screw / Sechskantschraube / Vis à tête hexagonale	1/4-20 x 1/2	8
31	TS-0207111	Socket Head Cap Screw / Zylinderschraube mit Innensechskant / Vis à tête cylindrique à six pans creux	1/4-20 x 2-1/4	16
32	TS-0720071	Lock Washer / Sicherungsscheibe / Rondelle de blocage	1/4	16
33	DDS225-233	Hex Nut / Sechskantmutter / Écrou hexagonal	7/8-9	4
34	DDS225-234	Key / Schlüssel / Clé	5 x 5 x 18mm	4
35	DDS225-235	Socket Head Cap Screw / Zylinderschraube mit Innensechskant / Vis à tête cylindrique à six pans creux	5/16-18 x 3/4	16
36	TS-0720081	Lock Washer / Sicherungsscheibe / Rondelle de blocage	5/16	22
39	TS-1550061	Flat Washer / Flache Unterlegscheibe / Rondelle plate	M8	16
40	DDS225-240	Bushing / Buchse / Manchon		4
41	DDS237-241	Conveyor / Förderer / Convoyeur		1
42	TS-0561031	Hex Nut / Sechskantmutter / Écrou hexagonal	3/8-16	1

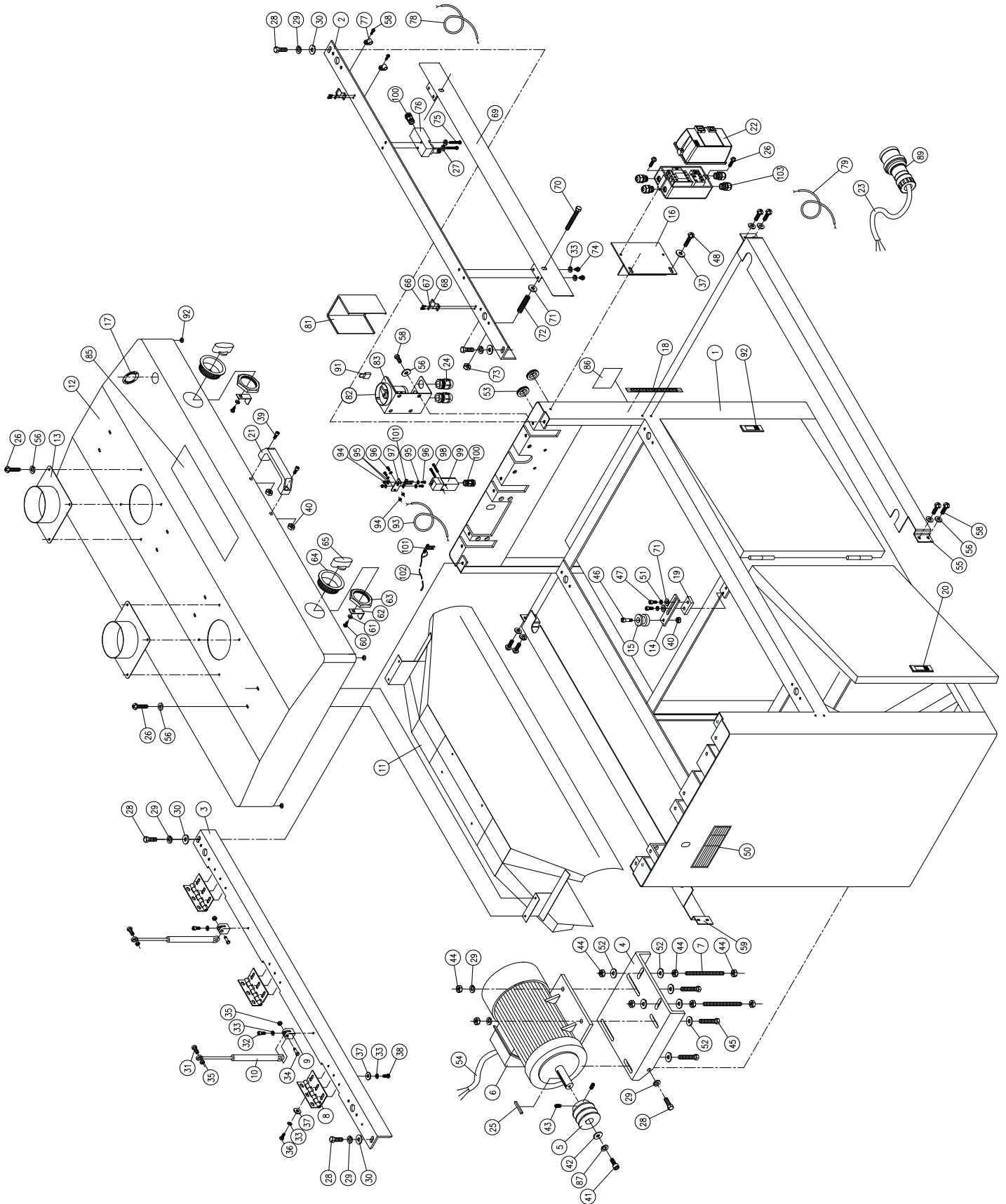
PART LIST / ERSATZTEILLISTE / LISTE DES PIÈCES DÉTACHÉES

DDS-237 (10 HP)

Index No.	Part No.	Description	Size	Qty.
43	DDS237-243	Front Cover / Titelblatt / Couverture		1
44	DDS237-244	Rear Cover / Hintere Abdeckung / Couvercle arrière		1
45	DDS225-245B	Threaded Bushing / Gewindebuchse / Douille filetée		4
46	DDS225-246	Handwheel / Handrad / Volant		1
47	DDS225-247	Socket Set Screw / Gewindestift mit Innensechskant / Vis à tête creuse	5/16-18 x 1/2	2
48	DDS225-248B	Leadscrew Holder, Left-Rear / Leitspindelhalterung, links-hinten / Porte-vis, arrière gauche		1
49	TS-0208041	Socket Head Cap Screw / Zylinderschraube mit Innensechskant / Vis à tête cylindrique à six pans creux	5/16-18 x 3/4	6
50	TS-0680031	Flat Washer / Flache Unterlegscheibe / Rondelle plate	5/16	12
51	TS-0720081	Lock Washer / Sicherungsscheibe / Rondelle de blocage	5/16	6
52	TS-0640081	Hex Nut / Sechskantmutter / Écrou hexagonal	5/16-18	6
53	TS-0208021	Socket Head Cap Screw / Zylinderschraube mit Innensechskant / Vis à tête cylindrique à six pans creux	5/16-18 x 1/2	6
54	DDS225-254	Hex Nut / Sechskantmutter / Écrou hexagonal	1/4-20	8
55	TS-0050081	Hex Head Screw / Sechskantschraube / Vis à tête hexagonale	1/4-20 x 1-3/4	8
56	DDS225-256	Shield / Abschirmung / Bouclier		1
57	TS-0680021	Flat Washer / Flache Unterlegscheibe / Rondelle plate	1/4	10
58	DDS225-258	Screw / Schraube / Vis	1/4-20 x 1/4	2
59	DDS237-259	Upper Bracket / Obere Halterung / Support supérieur		4
60	DDS237-260	Boot / Stiefel / Botte	1/4-20 x 1/4	4
61	TS-081C022	Screw / Schraube / Vis	#10-24x3/8	8
62	TS-0680011	Flat Washer / Flache Unterlegscheibe / Rondelle plate	3/16	8
63	DDS237-257	lower Bracket / untere Klammer / Support inférieur		4
65	DDS225-336	Hex Head Screw / Sechskantschraube / Vis à tête hexagonale	1/4-20 x 3/8	8
66	DDS237-266	Special Washer / Spezial-Unterlegscheibe / Rondelle spéciale		8
67	TS-0267051	Set Screw / Stellschraube / Vis de réglage	1/4-20x1/2	7
68	DDS225-268	Special Nut / Spezialmutter / Ecrou spécial		4
69	TS-0267021	Set Screw / Stellschraube / Vis de réglage	1/4-20x1/4	1

EXPLOSION DRAWING / ERSATZTEILZEICHNUNG / VUE ÉCLATÉE

DDS-237 (10 HP)



PART LIST / ERSATZTEILLISTE / LISTE DES PIÈCES DÉTACHÉES

DDS-237 (10 HP)

Index No.	Part No.	Description	Size	Qty.
1	DDS237-301A	Cabinet / Kabinett / Armoire		1
2	DDS237-302	Support Bracket-Front / Haltebügel-Vorderteil / Support avant		1
3	DDS237-303	Support Bracket-Rear / Haltebügel-Rückseite / Support arrière		1
4	DDS237-304	Motor Plate / Motorplatte / Plaque du moteur		1
5	DDS237-305	Motor Pulley / Motorriemenscheibe / Poulie du moteur		1
6	DDS237-306AEN	Motor / Motor / Moteur	10HP, 3Ph, 400V	1
7	DDS225-307	Adjusting Screw / Justierschraube / Vis de réglage		2
8	DDS225-308	Hinge / Scharnier / Charnière		3
9	DDS225-309	Fixed Block / Feststehender Block / Bloc fixe		1
10	DDS225-310	Cylinder / Zylinder / Cylindre		1
11	DDS237-311	Flow Deflector / Strömungsumlenker / Déflecteur de flux		1
12	DDS237-312A	Top Cover / Obere Abdeckung / Couvercle supérieur		1
13	DDS225-313	Dust Chute / Staubschacht / Goulotte à poussière		2
14	DDS225-314A	Roller Holder / Rollenhalterung / Porte-rouleau		1
15	DDS225-315	Idle Roller / Leerlaufrolle / Rouleau de ralenti		1
16	DDS237-316	Switch Bracket / Schalterhalterung / Support d'interrupteur		1
17	DDS225-317	Direction Label / Richtungsschild / Étiquette de direction		1
18	DDS225-318E	Scale / Skala / Échelle		1
19	DDS225-319A	Spacer / Abstandshalter / Entretoise		1
20	DDS225-320	Right Door Latch / Rechte Türverriegelung / Loquet de la porte droite		2
	DDS225-320A	Left Door Latch / Linke Türverriegelung / Loquet de la porte gauche		1
21	DDS225-321	Handle / Handgriff / Poignée		1
22	DDS237-322AEN	Magnetic Switch / Magnetischer Schalter / Interrupteur magnétique		1
	DDS237-322AENC	Contactactor / Schütz / Contacteur		1
	DDS237-322AENO	Overload / Überlast / Surcharge		1
23	DDS237-323AEN	Power Cord / Netzkabel / Cordon d'alimentation		1
24	DDS225-324AE	Strain Relief / Zugentlastung / Soulagement de la tension		5
25	DDS225-325	Key / Schlüssel / Clé	5 x 5 x55 mm	1
26	DDS225-326	Screw / Schraube / Vis	3/16-24 x 1/2	18
27	TS-0720051	Lock Washer / Sicherungsscheibe / Rondelle de blocage	#10	2
28	DDS225-328	Socket Head Cap Screw / Zylinderschraube mit Innensechskant / Vis à tête cylindrique à six pans creux	3/8-16 x 3/4	6
29	TS-0720091	Lock Washer / Sicherungsscheibe / Rondelle de blocage	3/8	10
30	TS-1550071	Flat Washer / Flache Unterlegscheibe / Rondelle plate	M10	4
31	DDS225-313	Socket Head Cap Screw / Zylinderschraube mit Innensechskant / Vis à tête cylindrique à six pans creux	M8 x25	1
32	TS-0207021	Socket Head Cap Screw / Zylinderschraube mit Innensechskant / Vis à tête cylindrique à six pans creux	1/4-20 x 1/2	1
33	TS-0720071	Lock Washer / Sicherungsscheibe / Rondelle de blocage	1/4	26
34	DDS225-334	Shoulder Screw / Schulter-schraube / Vis à épaulement	M8 X1.25P X11	1
35	DDS225-335	Hex Nylon Lock Nut / Sechskant-Nylon-Sicherungsmutter / Contre-écrou hexagonal en nylon	M8	2
36	DDS225-336	Hex Head Screw / Sechskantkopfschraube / Vis à tête hexagonale	1/4-20 X 1/2	6
37	TS-0680021	Flat Washer / Flache Unterlegscheibe / Rondelle plate	1/4	16
38	TS-0050011	Hex Cap Screw / Sechskantschraube / Vis à tête hexagonale	1/4-20 x 1/2	6
39	TS-0208041	Socket Head Cap Screw / Zylinderschraube mit Innensechskant / Vis à tête cylindrique à six pans creux	5/16-18 x 3/4	2
40	TS-0561021	Hex Nut / Sechskantmutter / Ecrou hexagonal	5/16-18	3
41	TS-1505021	Socket Head Cap Screw / Zylinderschraube mit Innensechskant / Vis à tête cylindrique à six pans creux	M10x20	1

PART LIST / ERSATZTEILLISTE / LISTE DES PIÈCES DÉTACHÉES

DDS-237 (10 HP)

Index No.	Part No.	Description	Size	Qty.
42	TS-1550071	Flat Washer / Flache Unterlegscheibe / Rondelle plate	M10	1
43	DDS225-343	Socket Set Screw / Stellschraube mit Innensechskant / Vis à tête creuse	5/16-18 x 1/2	2
44	TS-0561031	Hex Nut / Sechskantmutter / Ecrou hexagonal	3/8-16NC	10
45	DDS225-345	Hex Cap Screw / Sechskantschraube / Vis à tête hexagonale	3/8-16NC x 1-1/2	4
46	DDS225-346	Shoulder Screw / Schulterschraube / Vis à épaulement		1
47	TS-0208061	Hex Cap Screw / Sechskantschraube / Vis à tête hexagonale	5/16-18 x 1	1
48	TS-081F032	Phillips Pan Head Machine Screw / Phillips-Kreuzschlitz-Maschinenschraube / Vis à tête cylindrique Phillips	1/4-20 x 1/2	4
50	DDS225-350	Label (Drum Setting Gauge) / Etikett (Trommeleinstellehre) / Étiquette (jauge de réglage de la batterie)		2
51	DDS225-351	Flat Washer / Flache Unterlegscheibe / Rondelle plate	5/16	1
52	DDS225-352	Flat Washer / Flache Unterlegscheibe / Rondelle plate	3/8	8
53	DDS225-353	Strain Relief / Zugentlastung / Soulagement de la tension		2
54	DDS237-354AEN	Motor Cord / Motorkabel / Cordon du moteur		1
55	DDS237-355	Front Cover / Frontabdeckung / Couvercle avant		1
56	TS-1550031	Flat Washer / Flache Unterlegscheibe / Rondelle plate	3/16	26
58	DDS225-358	Screw / Schraube / Vis	3/16-24 x 3/8	14
59	DDS237-359	Rear Cover / Hintere Abdeckung / Couvercle arrière		1
60	DDS225-360	Self Tapping Screw / Selbstschneidende Schraube / Vis autotaraudeuse	1/4 x 1/2	2
61	TS-069204	Flat Washer / Flache Unterlegscheibe / Rondelle plate	SAE #10	2
62	DDS225-362	Lock Piece / Verschlussstück / Pièce de blocage		2
63	DDS225-363	Plastic Nut / Kunststoffmutter / Écrou en plastique		2
64	DDS225-364	Lock Housing / Schlossgehäuse / Boîtier de verrouillage		2
65	DDS225-365	Lock Knob / Schlossknopf / Bouton de verrouillage		2
66	DDS225-366	Socket Head Cap Screw / Zylinderschraube mit Innensechskant / Vis à tête cylindrique à six pans creux	1/4-20x 1/2	4
67	TS-0720071	Lock Washer / Sicherungsscheibe / Rondelle de blocage	1/4	4
68	DDS225-368	Holder / Halterung / Support		2
69	DDS237-369	Plate / Teller / Plaque		1
70	TS-1490111	Hex Cap Screw / Sechskantschraube / Vis à tête hexagonale	M8 x 60	2
71	DDS225-371	Flat Washer / Flache Unterlegscheibe / Rondelle plate	M8	4
72	DDS225-372	Spring / Frühling / Printemps		2
73	TS-1540061	Hex Nut / Sechskantmutter / Ecrou hexagonal	M8	2
74	TS-081F022	Phillips Pan Head Machine Screw / Phillips-Kreuzschlitz-Maschinenschraube / Vis à tête cylindrique Phillips	1/4-20 x 5/16	4
75	DDS225-375	Screw / Schraube / Vis	3/16-24 x 1-1/4	2
76	DDS225-376	Limit Switch / Endschalter / Interrupteur de fin de course		1
77	DDS225-377	Cord Holder / Kabelhalterung / Support de cordon		2
78	DDS225-378AEA	Cord, Limit Switch / Kabel, Endschalter / Cordon, interrupteur de fin de course		1
79	DDS237-379AEN	Switch Cord, Mag Switch to Power Switch / Schalterkabel, Magnetschalter zum Netzschalter / Cordon de l'interrupteur, de l'interrupteur Mag à l'interrupteur d'alimentation		1
81	DDS225-381AE	Switch Cover / Schalterabdeckung / Couvercle de l'interrupteur		1
82	DDS225-382AE	Power Switch / Netzschalter / Interrupteur d'alimentation		1
83	DDS225-383AE	Switch Bracket / Schalterhalterung / Support d'interrupteur		1
84	DDS225-384	Top Cover Warning Label (Not Shown) / Warnschild auf der oberen Abdeckung (nicht abgebildet) / Étiquette d'avertissement du couvercle supérieur (non illustrée)		1
85	DDS225-385	Logo / Logo / Logo		1
86	DDS225-386	I.D. Label / Kennzeichnungsschild / Étiquette I.D.		1

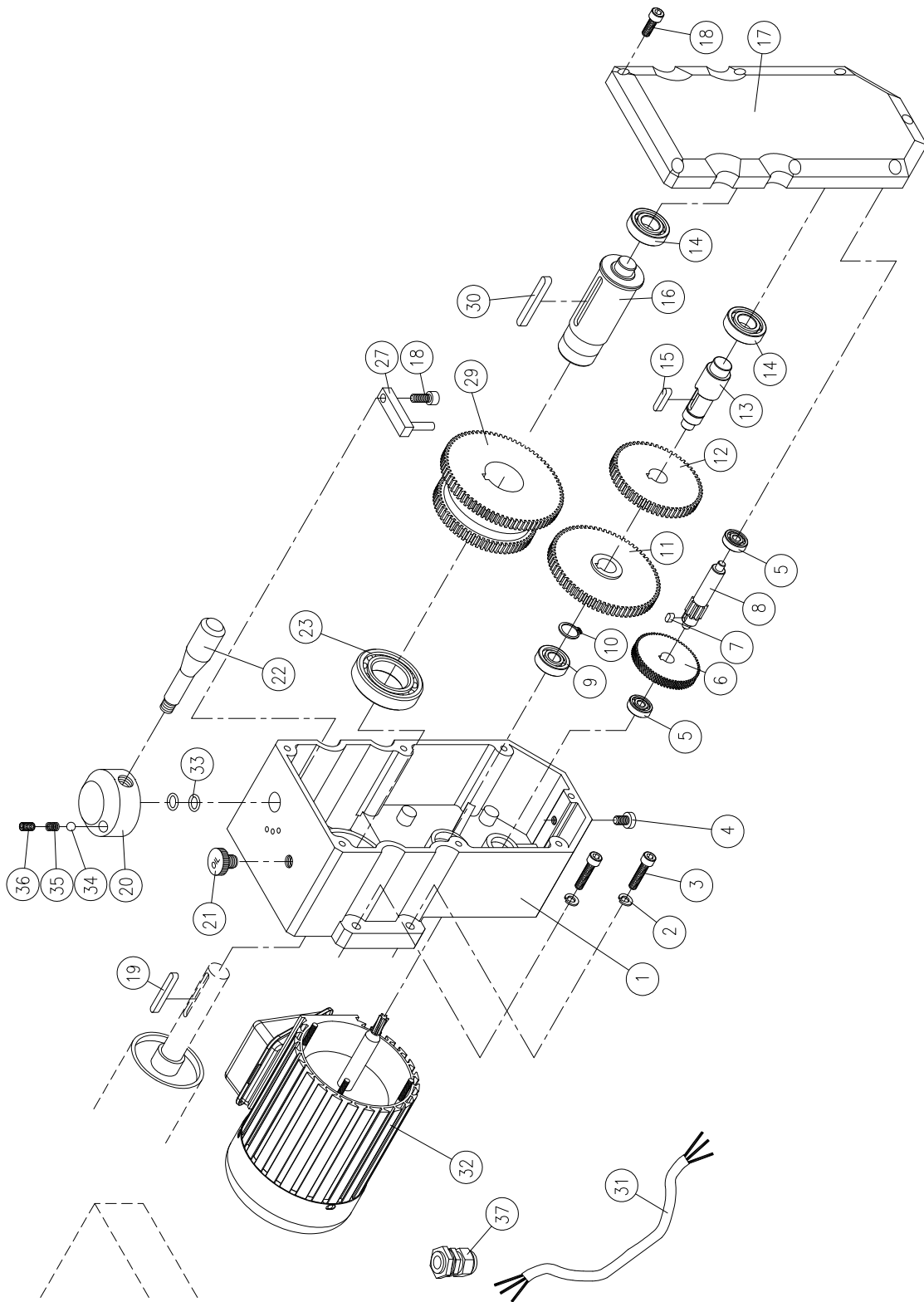
PART LIST / ERSATZTEILLISTE / LISTE DES PIÈCES DÉTACHÉES

DDS-237 (10 HP)

Index No.	Part No.	Description	Size	Qty.
87	TS-2361101	Lock Washer / Sicherungsscheibe / Rondelle de blocage	M10	1
88	DDS225-388	Table Warning Label (Not Shown) / Tisch-Warnschild (nicht abgebildet) / Tableau Étiquette d'avertissement (non illustrée)		2
89	DDS225-389	Plug for Power Cord / Stecker für Netzkabel / Fiche du cordon d'alimentation		1
90	DDS225-390	Running Direction Label (Not Shown) / Laufrichtungsetikett (nicht abgebildet) / Étiquette de sens de marche (non illustrée)		1
91	DDS225-391	Switch Lock / Schalterschloss / Verrouillage de l'interrupteur		1
92	DDS225-392	Pad / Unterlage / Tampon		4
93	DDS225-393	Cord, Limit Switch / Kabel, Endschalter / Cordon, interrupteur de fin de course		1
94	TS-1540021	Hex Nut / Sechskantmutter / Ecrou hexagonal	M4	4
95	TS-1550021	Flat Washer / Flache Unterlegscheibe / Rondelle plate	M4	6
96	DDS225-396	Screw / Schraube / Vis	M4x12	4
97	DDS225-397	Safety Key Support Bracket / Halterung für Sicherheitsschlüssel / Support de la clé de sécurité		1
98	DDS225-398	Screw / Schraube / Vis	M4x30	2
99	DDS225-399	Limit Switch / Endschalter / Interrupteur de fin de course		1
100	DDS225-3100	Strain Relief / Zugentlastung / Soulagement de la tension		2
	DDS225-SKWC	Safety Key w/Chain (including, #101, #102) / Sicherheitsschlüssel mit Kette (einschließlich, #101, #102) / Clé de sécurité avec chaîne (y compris, #101, #102)		1
101	DDS225-3101	Safety Key / Sicherheitsschlüssel / Clé de sécurité		1
102	DDS225-3102	Chain / Kette / Chaîne		1
103	DDS225-3103	Strain Relief / Zugentlastung / Soulagement de la tension		1

EXPLOSION DRAWING / ERSATZTEILZEICHNUNG / VUE ÉCLATÉE

DDS-237 (10 HP)



PART LIST / ERSATZTEILLISTE / LISTE DES PIÈCES DÉTACHÉES

DDS-237 (10 HP)

Index No.	Part No.	Description	Size	Qty.
	DDS225-GBA	Complete Gearbox Assembly w/Motor / Komplette Getriebebaugruppe mit Motor / Boîte de vitesses complète avec moteur	400V	1
	DDS225-401CGA	Complete Gearbox Assembly wo/Motor / Komplette Getriebebaugruppe mit Motor / Boîte de vitesses complète avec moteur		1
1	DDS225-401A	Gearbox Body / Getriebekörper / Corps de la boîte de vitesses		1
2	TS-0720071	Lock Washer / Sicherungsscheibe / Rondelle de blocage	1/4	4
3	TS-0207071	Socket Head Cap Screw / Zylinderschraube mit Innensechskant / Vis à tête cylindrique à six pans creux	1/4-20 x 1-1/4	4
4	DDS225-404	Drain Plug / Ablassschraube / Bouchon de vidange		1
5	BB-626VV	Ball Bearing / Kugellager / Roulement à billes		2
6	DDS225-406	Gear / Getriebe / Engrenage	66T	1
7	DDS225-407	Key / Schlüssel / Clé	4 x 4 x 8	1
8	DDS225-408	Pinion / Ritzel / Pignon		1
9	BB-6000VV	Ball Bearing / Kugellager / Roulement à billes	6000VV	1
10	DDS225-410	C-Ring / C-Ring / Anneau en C		1
11	DDS225-411	Gear / Getriebe / Engrenage	70T	1
12	DDS225-412	Gear / Getriebe / Engrenage	57T	1
13	DDS225-413	Shaft / Welle / Arbre		1
14	BB-6002VV	Ball Bearing / Kugellager / Roulement à billes	6002VV	2
15	DDS225-415	Key / Schlüssel / Clé	5 x 5 x 20	1
16	DDS225-416	Shaft / Welle / Arbre		1
17	DDS225-417	Cover / Abdeckung / Couverture		1
18	TS-1503041	Socket Head Cap Screw / Zylinderschraube mit Innensechskant / Vis à tête cylindrique à six pans creux	M6 x 16	8
19	DDS225-419	Key / Schlüssel / Clé	5 x 5 x 30	1
20	DDS225-420	Collar / Halsband / Collier		1
21	DDS225-421	Oil Plug / Ölstopfen / Bouchon d'huile		1
22	DDS225-422	Handle / Handgriff / Poignée		1
23	BB-6006VV	Ball Bearing / Kugellager / Roulement à billes		1
27	DDS225-427	Block / Block / Bloc		1
29	DDS225-429A	Gear Assembly / Getriebemontage / Assemblage de l'engrenage	64T / 77T	1
30	DDS225-430	Key / Schlüssel / Clé	6 x 6 x 50	1
31	DDS225-431AE	Cable / Kabel / Câble		1
32	DDS225-432AE	Motor (Not available separately) / Motor (nicht separat erhältlich) / Moteur (non disponible séparément)	1/4HP, 3PH, 400V	1
33	DDS225-433	Gasket / Dichtung / Joint d'étanchéité		2
34	DDS225-434	Steel Ball / Stahlkugel / Boule d'acier		1
35	DDS225-435	Spring / Feder / Ressort		1
36	TS-1523011	Socket Set Screw / Stellschraube mit Innensechskant / Vis à tête creuse	M6 x 6	1
37	DDS225-324AE	Strain Relief / Zugentlastung / Décharge de traction		1
	DDS225-GG	Gearbox Gasket (not shown) / Getriebedichtung (nicht abgebildet) / Joint de boîte de vitesses (non illustré)		1

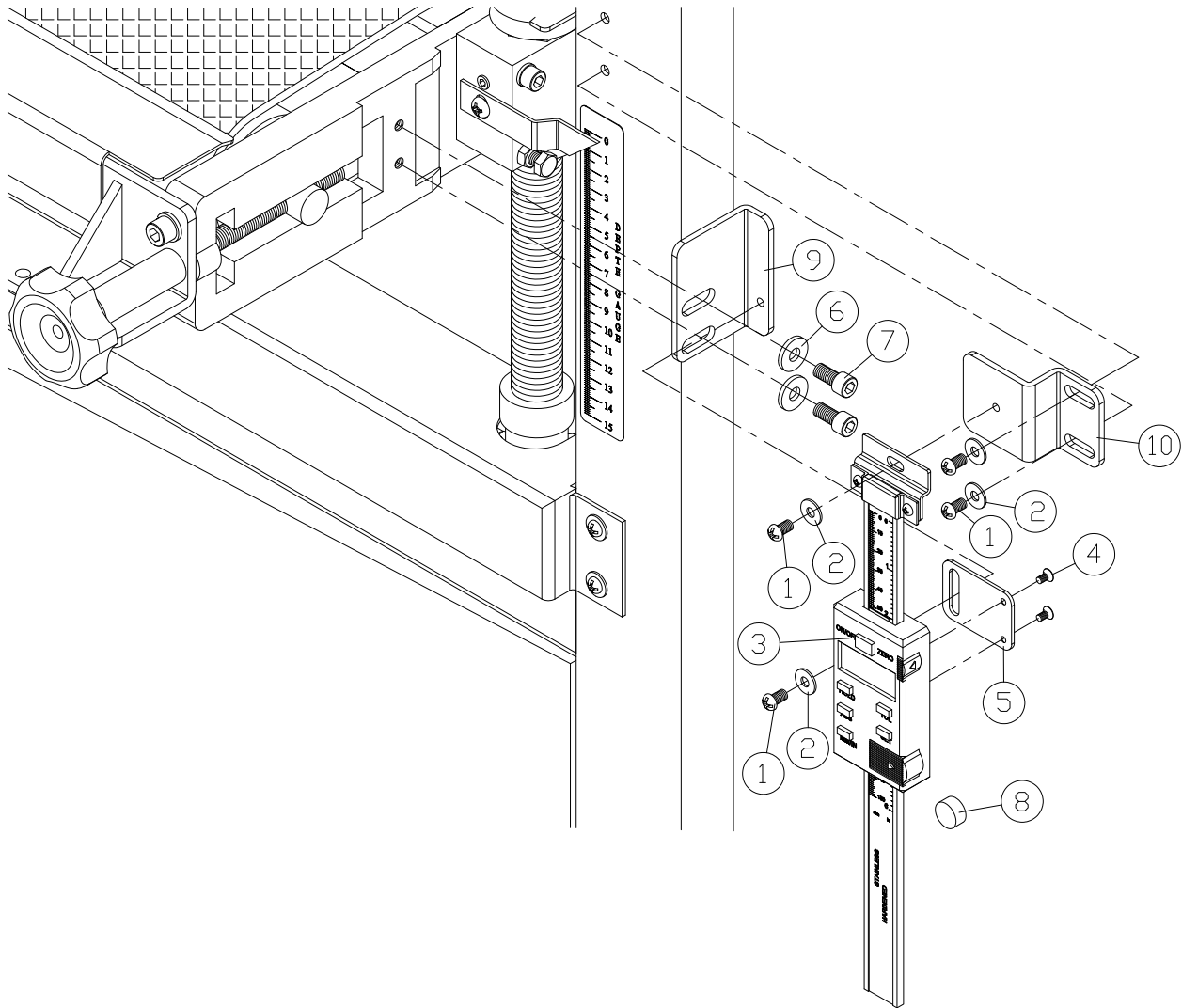
* NOTE: change gearbox oil every 2,500 operating hours (gearbox oil or analogues, SAE90, 0.7 liter)

* HINWEIS: Getriebeöl alle 2.500 Betriebsstunden wechseln (Getriebeöl, SAE90, 0,7 Liter)

* REMARQUE : changer l'huile de boîte de vitesses toutes les 2 500 heures de fonctionnement (huile de boîte de vitesses, SAE90, 0,7 litre).

EXPLOSION DRAWING / ERSATZTEILZEICHNUNG / VUE ÉCLATÉE

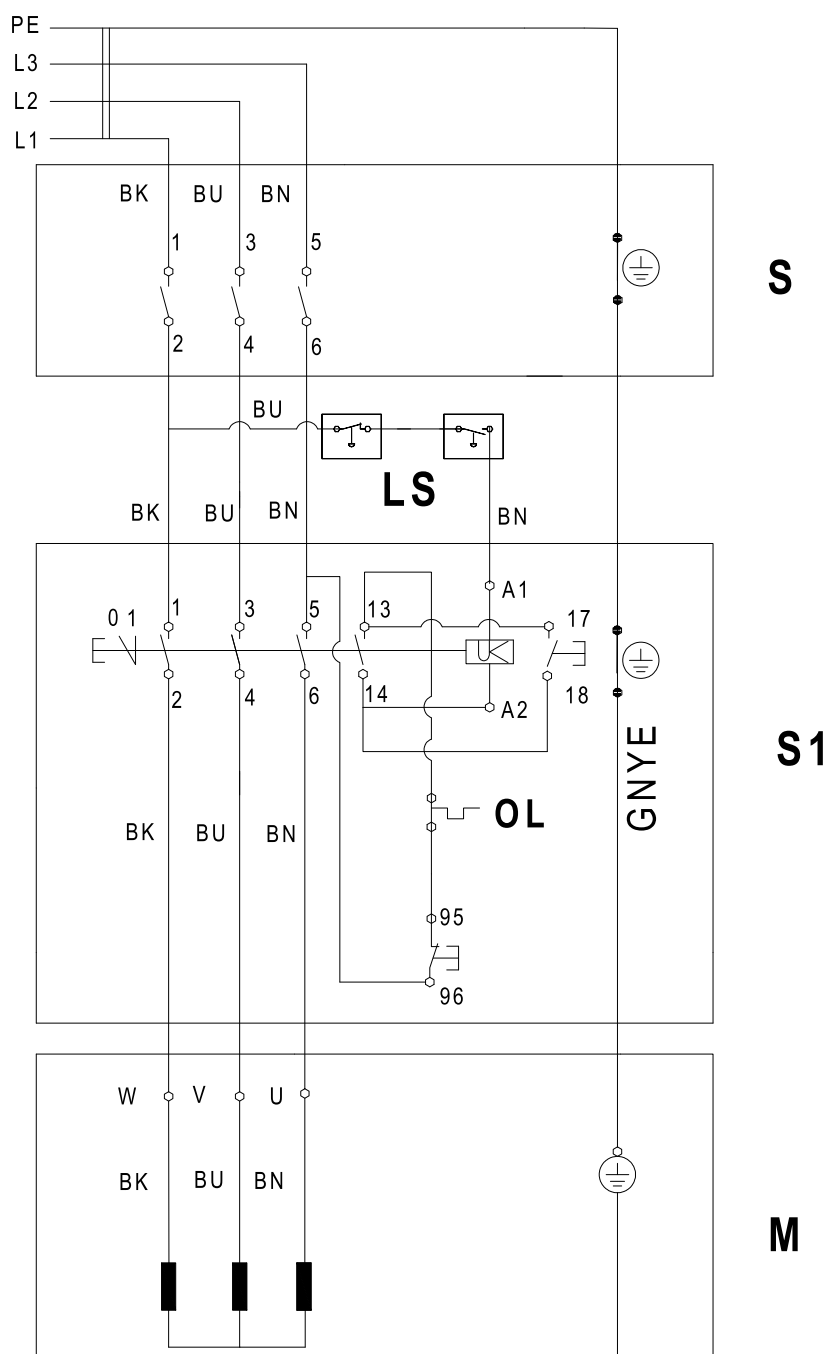
DDS-237 (10 HP)



Index No.	Part No.	Description	Size	Qty.
	DDS225-DROA	Digital Readout Assembly (Includes index #1 ~ #10) / Digitalanzeige-Baugruppe (enthält Index #1 ~ #10) / Ensemble de lecture numérique (comprend les index #1 ~ #10)		1
1	TS-0680011	Flat Washer / Unterlegscheibe / Rondelle plate	3/16	4
2	DDS225-502	Screw / Schraube / Vis	3/16-24x5/16	4
3	15S-314	Digital Readout / Digitalanzeige / Afficheur numérique		1
4	DDS225-504	Flat Head Machined Screw / Bearbeitete Flachkopfschraube / Vis à tête plate usinée	M3x.05Px5	2
5	DDS225-505A	Bracket / Halterung / Support		1
6	TS-0680021	Flat Washer / Unterlegscheibe / Rondelle plate	1/4	2
7	TS-0207021	Socket Head Cap Screw / Zylinderschraube mit Innensechskant / Vis à tête cylindrique à six pans creux	1/4-20x1/2	2
8	15S-600	Battery / Batterie / Batterie	1.5 Volt	1
9	DDS225-509	Lower Bracket / Untere Halterung / Support inférieur		1
10	DDS225-510	Upper Bracket / Obere Halterung / Support supérieur		1

ELECTRICAL DIAGRAM / ELEKTRISCHE ANLAGE / SCHÉMA ÉLECTRIQUE

DDS-237.....10000650T.....3~400V, 50Hz



	colour of strands	Litzenfarben	couleur des cordons
BK	black	schwarz	noir
WH	white	weiß	blanc
BU	blue	blau	bleu
YE	yellow	gelb	jaune
RD	red	rot	rouge
BN	brown	braun	brun
GY	grey	grau	gris
GNYE	green-yellow	grün-gelb	vert-jaune
OG	orange	orange	orange
VT	violet	violett	violet

	meaning of symbol	Bedeutung der Zeichen	interprétation
M	motor	Motor	moteur
S	switch condenser	Schalter	interrupteur
C	electronic unit	Kondensator	condensateur
E	fuse	Elektronik Einheit	unité électronique
F	reversing switch	Sicherung	fusible
RS	centrifugal switch	Drehrichtungsschalter	commu. droite/gauche
CS	overload cut-off	Fliehkraftschalter	déclencheur centrifuge
OL	limit switch	Überlastschalter	déclencheur surcharge
LS		Positionsendschalter	micro



ENVIRONMENTAL PROTECTION

Protect the environment.

Your appliance contains valuable materials which can be recovered or recycled. Please leave it at a specialized institution.



This symbol indicates separate collection for electrical and electronic equipment required under the WEEE Directive (Directive 2012/19/EC) and is effective only within the European Union.

UMWELTSCHUTZ

Schützen Sie die Umwelt!

Ihr Gerät enthält mehrere unterschiedliche, wiederverwertbare Werkstoffe.

Bitte entsorgen Sie es nur an einer spezialisierten Entsorgungsstelle.



Dieses Symbol verweist auf die getrennte Sammlung von Elektro- und Elektronikgeräten, gemäß Forderung der WEEE-Richtlinie (2012/19/EU). Diese Richtlinie ist nur innerhalb der Europäischen Union wirksam.

PROTECTION DE L'ENVIRONNEMENT

Protégez l'environnement !

Votre appareil comprend plusieurs matières premières différentes et recyclables. Pour éliminer l'appareil usagé, veuillez l'apporter dans un centre spécialisé de recyclage des appareils électriques.



Ce symbole indique une collecte séparée des équipements électriques et électroniques conformément à la directive DEEE (2012/19/UE). Cette directive n'est efficace que dans l'Union européenne.



WARRANTY / GARANTIE

TOOL FRANCE guarantees that the supplied product(s) is/are free from material defects and manufacturing faults.

This warranty does not cover any defects which are caused, either directly or indirectly, by incorrect use, carelessness, damage due to accidents, repairs or inadequate maintenance or cleaning as well as normal wear and tear.

Further details on warranty (e.g. warranty period) can be found in the General Terms and Conditions (GTC) that are an integral part of the contract.

These GTC may be viewed on the website of your dealer or sent to you upon request.

TOOL FRANCE reserves the right to make changes to the product and accessories at any time.

TOOL FRANCE garantiert, dass das/die von ihr gelieferte/n Produkt/e frei von Material- und Herstellungsfehlern ist.

Diese Garantie deckt keinerlei Mängel, Schäden und Fehler ab, die - direkt oder indirekt - durch falsche oder nicht sachgemäße Verwendung, Fahrlässigkeit, Unfallschäden, Reparaturen oder unzureichende Wartungs- oder Reinigungsarbeiten sowie durch natürliche Abnutzung durch den Gebrauch verursacht werden.

Weitere Einzelheiten zur Garan können den allgemeinen Geschäftsbedingungen (AGB) entnommen werden.

Diese können Ihnen auf Wunsch per Post oder Mail zugesendet werden.

TOOL FRANCE behält sich das Recht vor, jederzeit Änderungen am Produkt und am Zubehör vorzunehmen.

TOOL FRANCE garantit que le/les produit(s) fourni(s) est/sont exempt(s) de défauts matériels et de défauts de fabrication.

Cette garantie ne couvre pas les défauts, dommages et défaillances causés, directement ou indirectement, par l'utilisation incorrecte ou inadéquate, la négligence, les dommages accidentels, la réparation, la maintenance ou le nettoyage incorrects et l'usure normale.

Vous pouvez trouver de plus amples détails sur la garantie dans les conditions générales (CG).

Les CG peuvent être envoyées sur demande par poste ou par e-mail.

TOOL FRANCE se réserve le droit d'effectuer des changements sur le produit et les accessoires à tout moment.

UK DECLARATION OF CONFORMITY

Edition March 2024

Product:

DUAL DRUM SANDER

Model:

DDS-237

Brand:

JET

Manufacturer or authorized representative:

TOOL FRANCE

Unit 1a Stepnell Park

Off Lawford Road

Rugby

CV212UX

United Kingdom

We hereby declare that this product complies with the regulations:

SUPPLY OF MACHINERY (SAFETY) REGULATIONS 2008

ELECTROMAGNETIC COMPATIBILITY REGULATIONS 2016

Designed in consideration of the standards:

EN ISO 12100:2010

EN 60204-1:2018

EN 61000-6-2:2005

EN 61000-6-4 : 2007+A1:2011

Responsible for the documentation / Dokumentations-Verantwortung / Responsable de la documentation :



JÉRÔME GERMAIN

GENERAL MANAGER

DIRECTEUR GÉNÉRAL

N° de série / serial number :

At lisses / Hergestellt in / Fait à Lisses

Date :

**CE-CONFORMITY DECLARATION
CE-KONFORMITÄTSERKLÄRUNG
DÉCLARATION DE CONFORMITÉ CE**

Edition March 2024

Product/Produkt/Produit:

Dual Drum sander / Doppel-Zylinderschleifmaschine / Double Ponceuse à cylindre

DDS-237

Brand/Marke/Marque:

JET

Manufacturer or authorized representative/ Hersteller oder Bevollmächtigter/ Fabricant ou son mandataire:

TOOL FRANCE

9 Rue des Pyrénées, 91090 LISSES, France

We hereby declare that this product complies with the regulations
Wir erklären hiermit, dass dieses Produkt der folgenden Richtlinie entspricht
Par la présente, nous déclarons que ce produit correspond aux directives suivantes

2006/42/EC

Machinery Directive / Maschinenrichtlinie / Directive Machines

2014/30/EU

Electromagnetic compatibility / elektromagnetische Verträglichkeit / compatibilité électromagnétique

designed in consideration of the standards
und entsprechend folgender zusätzlicher Normen entwickelt wurde
et été développé dans le respect des normes complémentaires suivantes

EN ISO 12100:2010

EN 60204-1:2018

EN 61000-6-2:2005

EN 61000-6-4:2007+A1:2011

Original instruction manual / Original-Bedienungsanleitung / Notice d'instruction Originale
Responsible for the documentation / Dokumentations-Verantwortung / Responsable de la documentation :



JÉRÔME GERMAIN
GENERAL MANAGER
DIRECTEUR GÉNÉRAL

N° de série / serial number :

At lisses / Hergestellt in / Fait à Lisses

Date :