

JOSS-S

OSCILLATING SPINDLE SANDER

OSZILLIERENDE SPINDELSCHLEIFMASCHINE

PONCEUSE À BROCHE OSCILLANTE



www.promac.fr



GB - ENGLISH

OPERATING INSTRUCTIONS

Dear Customer,

Many thanks for the confidence you have shown in us with the purchase of your new TOOL FRANCE machine. This manual has been prepared for the owner and operators of a TOOL FRANCE JOSS-S oscillating spindle sander to promote safety during installation, operation and maintenance procedures. Please read and understand the information contained in these operating instructions and the accompanying documents. To obtain maximum life and efficiency from your machine, and to use the machine safely, read this manual thoroughly and follow instructions carefully.

1. Declaration of conformity

On our own responsibility we hereby declare that this product complies with the regulations* listed on page 2.

Designed in consideration with the standards**.

2. Warranty

TOOL FRANCE guarantees that the supplied product(s) is/are free from material defects and manufacturing faults.

This warranty does not cover any defects which are caused, either directly or indirectly, by incorrect use, carelessness, damage due to accidents, repairs or inadequate maintenance or cleaning as well as normal wear and tear.

Further details on warranty (e.g. warranty period) can be found in the General Terms and Conditions (GTC) that are an integral part of the contract.

These GTC may be viewed on the website of your dealer or sent to you upon request.

TOOL FRANCE reserves the right to make changes to the product and accessories at any time.

3. Safety

3.1 Authorized use

This spindle sander is designed for sanding wood and similar materials only. Sanding of other materials is not permitted and may be carried out in specific cases only after consulting with the manufacturer.

The machine is not suitable for wet sanding.

The proper use also includes compliance with the operating and maintenance instructions given in this manual.

The machine must be operated only by persons familiar with its operation and maintenance and who are familiar with its hazards.

The required minimum age must be observed.

The machine must only be used in a technically perfect condition.

When working on the machine, all safety mechanisms and covers must be mounted.

In addition to the safety requirements contained in these operating instructions and your country's applicable regulations, you should observe the generally recognized technical rules concerning the operation of woodworking machines.

Any other use exceeds authorization.

In the event of unauthorized use of the machine, the manufacturer renounces all liability and the responsibility is transferred exclusively to the operator.

3.2 General safety notes

Woodworking machines can be dangerous if not used properly. Therefore the appropriate general technical rules as well as the following notes must be observed.



Read and understand the entire instruction manual before attempting assembly or operation.



Keep this operating instruction close by the machine, protected from dirt and humidity, and pass it over to the new owner if you part with the tool.

No changes to the machine may be made.

Daily inspect the function and existence of the safety appliances before you start the machine.

Do not attempt operation in this case, protect the machine by unplugging the mains cable.

Remove all loose clothing and confine long hair.

Before operating the machine, remove tie, rings, watches, other jewellery, and roll up sleeves above the elbows.

Wear safety shoes; never wear leisure shoes or sandals. Always wear the approved working outfit:

- safety goggle
- ear protection
- dust protection



Do **not** wear gloves.

Install the machine so that there is sufficient space for safe operation and workpiece handling.

Keep work area well lighted.

The machine is designed to operate in closed rooms and must be placed stable on firm and levelled table surface.

Make sure that the power cord does not impede work and cause people to trip.

Keep the floor around the machine clean and free of scrap material, oil and grease.

Stay alert!

Give your work undivided attention. Use common sense.

Do not operate the machine when you are tired.

Do not operate the machine under the influence of drugs, alcohol or any medication. Be aware that medication can change your behavior.

Never reach into the machine while it is operating or running down.



Never leave a running machine unattended. Before you leave the workplace switch off the machine.

Keep children and visitors a safe distance from the work area.

Do not operate the electric tool near inflammable liquids or gases.

Observe the fire fighting and fire alert options, for example the fire extinguisher operation and place.

Do not use the machine in a damp environment and do not expose it to rain.

Wood dust is explosive and can also represent a risk to health.

Dust from some tropical woods in particular, and from hardwoods like beach and oak, is classified as a carcinogenic substance.

Always use a suitable dust extraction device

Before machining, remove any nails and other foreign bodies from the workpiece.

Never operate with the table insert not in place.

Make sure to guide and hold the workpiece tight during machining.

Machine only stock which rests securely on the table.

Specifications regarding the maximum or minimum size of the workpiece must be observed.

Do not remove chips and workpiece parts until the machine is at a standstill.

Do not stand on the machine.

Connection and repair work on the electrical installation may be carried out by a qualified electrician only.



Have a damaged or worn power cord replaced immediately.

Replace any torn or worn sanding belt immediately.

Make all machine adjustments or maintenance with the machine unplugged from the power source.



3.3 Remaining hazards

When using the machine according to regulations some remaining hazards may still exist.

The moving sanding sleeve can cause injury.

Risk of kickback. The workpiece is caught by the moving sanding sleeve and thrown back to the operator.

Thrown workpiece parts can lead to injury.

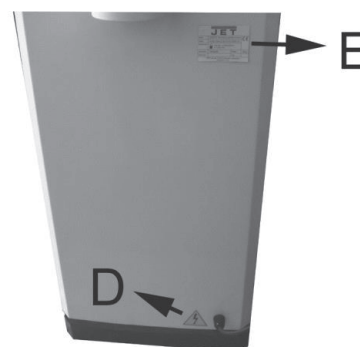
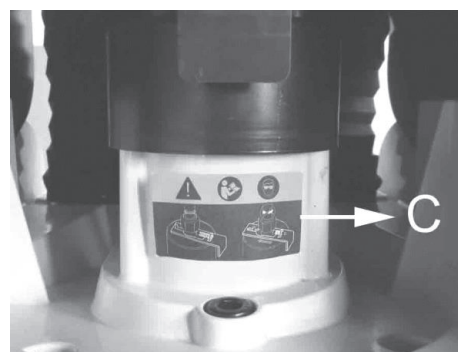
Sanding dust and noise can be health hazards. Be sure to wear personal protection gear such as safety goggles and dust mask. Use a suitable dust exhaust system.

Defective sanding discs can cause injuries.

The use of incorrect mains supply or a damaged power cord can lead to injuries caused by electricity.

3.4 Labels and positions

- A: Safety warning
- B: Spindle rotation direction
- C: Spindle lock fully disengaged before running
- D: Electrical Shock
- E: ID label w/ CE mark



4. Machine specifications

4.1 Technical data

Table size(LxW)	623 x 623 mm
Table tilt	45° front, 15° back
Spindle speed	1400 rpm
Oscillations	60 /min
Oscillation stroke	38 mm
Sanding sleeve length	150-23
Max. workpiece height	80-160
Dust port diameter	100 mm
suction at 20 m/sec	560 m ³ /h
Overall (LxWxH)	623 x 623 x 995 mm
Table height	995 mm
Net weight	98 kg
Mains	1~ PE, 50Hz
Output power	0,75 kW (1HP) S1
Reference current	5.5 A
Extension cord (H07RN-F):	3x1,5 mm ²
Installation breaker protection	10 A

4.2 Noise emission

Declared emission values according to EN ISO 4871:

A-weighted sound pressure level (LpA)	72.9 dB
Uncertainty	3 dB
A-weighted sound power level (LwA)	86.1 dB

The specified values are emission levels and are not necessarily to be seen as safe operating levels.

As workplace conditions vary, this information is intended to allow the user to make a better estimation of the hazards and risks involved only.

4.3 Content of delivery

Most of the below items can be found on or inside sander cabinet. Some items are shipped in the small box which accompanies the machine. One table insert comes installed on the table.

Refer to Figure 1.

- 1 Spindle sander (not shown)
- 6 Table inserts:
 - for 4" (100mm) rubber drum (at 90°) – A
 - for 2" (50mm) rubber drum (at 90°) – B
 - for 1/4" (6mm) and 3/8" (9mm) spindle (at 90°) – C
 - for 1/4" (6mm) - 3/4" (19mm) spindle (at tilt) – D
 - for 1" (25mm), 1-1/2" (38mm), 2" (50mm) rubber drum (at tilt) – E
 - for 3" (75mm) and 4" (100mm) rubber drum (at tilt) – F
- 1 Rubber drum with sleeve 4" (100mm) – G
- 1 Rubber drum with sleeve 3" (75mm) – H
- 1 Rubber drum with sleeve 2" (50mm) – J
- 1 Rubber drum with sleeve 1-1/2" (38mm) – K
- 1 Rubber drum with sleeve 1" (25mm) – L
- 1 3/4" (19mm) sleeve – M
- 1 3/4" (19mm) Spindle – N
- 1 5/8" (16mm) Spindle with sleeve – O
- 1 1/2" (12mm) Spindle with sleeve – P
- 1 3/8" (9mm) Spindle with sleeve – R
- 1 1/4" (6mm) Spindle with sleeve – S
- 1 Spindle hex nut – T
- 1 Combination wrench (with magnet strip) – U
- 1 Hex wrench 3mm, and magnet strip – V
- 1 Operating manual
- 1 Spare parts list.

Note: All provided sanding sleeves are 100 grit. Additional grits are available – see parts breakdown.

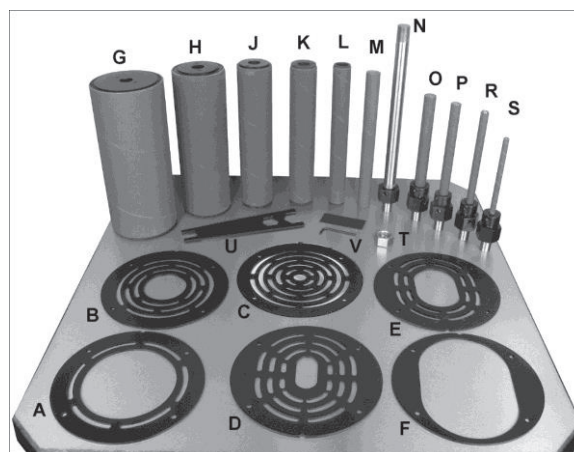


Figure 1

5. Setup and assembly

The sander main unit requires no assembly. Set-up involves only removing sander from pallet, and installing desired table insert and spindle/sleeve combination.

5.1 Transport and installation

The machine is designed to operate in closed rooms and must be placed stable on a firm and levelled surface.

5.2 Additional tools required

Ratchet wrench with socket set (or adjustable wrench)
 Cross-point (Phillips) screwdriver
 Machinist square
 Straight edge

5.3 Unpacking and cleanup

Inspect all contents from shipping carton, including parts inside cabinet (accessed through the side door).

Report any damage or part shortages to your distributor.

Exposed metal surfaces, such as table surface, have been given a protective coating at the factory. This coating should be removed with a soft cloth moistened with solvent, such as mineral spirits. Do not use solvents with low flash points, or allow solvents near plastic or rubber parts. Do not use an abrasive pad as it may scratch exposed surfaces.

Periodically apply a light coat of paste wax or other protectant to the table top to prevent rusting.

5.4 Removal from pallet

To remove sander from pallet:

1. Open cabinet door and remove accessories.
2. Use ratchet wrench with extended socket to unscrew two bolts securing machine to pallet (Figure 2).
3. Move sander off pallet, with help from an assistant.

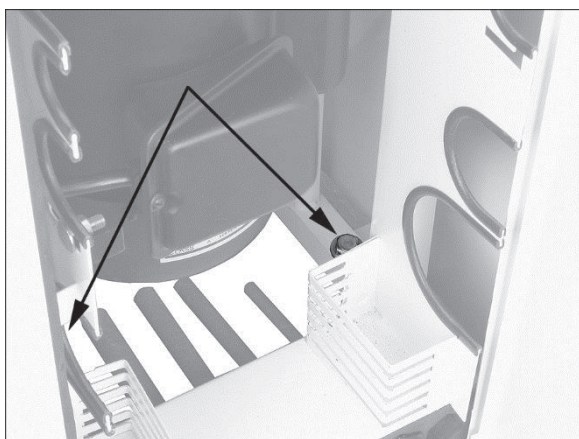


Figure 2

5.5 Drum and spindle storage

Keep drums, spindles and table inserts protected by storing them in cabinet (Figure 3).

To open door, lift bottom of latch and rotate counterclockwise 90 degrees (Figure 4).

Reverse procedure to close cabinet door.

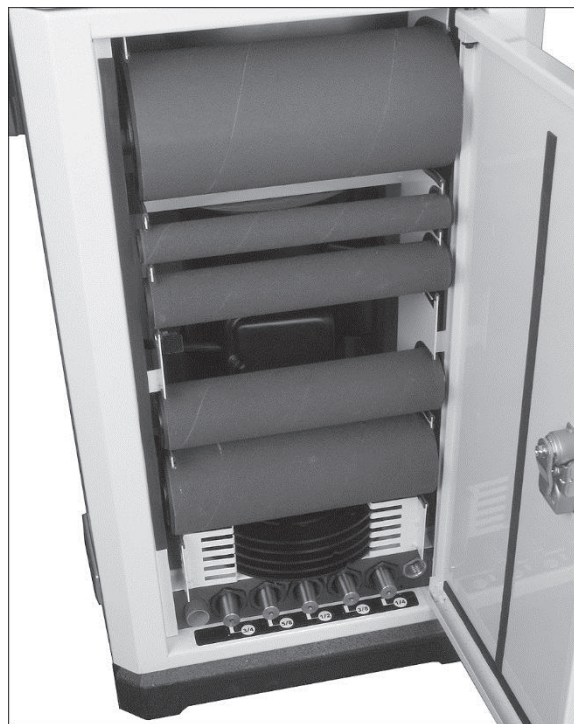


Figure 3: cabinet storage



Figure 4: door latch

5.6 Installing/removing spindles

WARNING

Disconnect sander from power source, when installing or removing sanding assemblies. Failure to comply may cause serious injury.

Open front shield (see sect. 8.1 Rubber Shields).

Thoroughly clean tapered area (A, Figure 5) on all spindle assemblies before installing. Also clean mating shaft on sander.

Remove table insert if installed.

Table may be tilted 15° backward to improve access (see sect. 8.2.)

5.6.1 Small sleeve spindles

Refer to Figure 5.

1. Slide sanding sleeve (B) completely onto spindle, ensuring that it slides into collar (C).
2. Tighten set screw on collar (C) with provided 3mm hex wrench. Do not overtighten.
3. Pull on sleeve to ensure it is secure.
4. Position spindle taper (A) into main shaft and hold.
5. Rotate nut (D) clockwise by hand, as viewed from above. Continue rotating nut until spindle seats (stops turning with nut), then continue rotating nut until it is hand-tight.
6. Push in and hold spindle lock (E). Note: Rotate spindle to ensure proper engagement.
7. Use provided combination wrench to tighten nut further. Do not overtighten.
8. Release spindle lock. Make sure it retracts by rotating spindle slightly.

CAUTION

Make sure spindle lock has fully disengaged before turning on sander, or damage to motor may result.

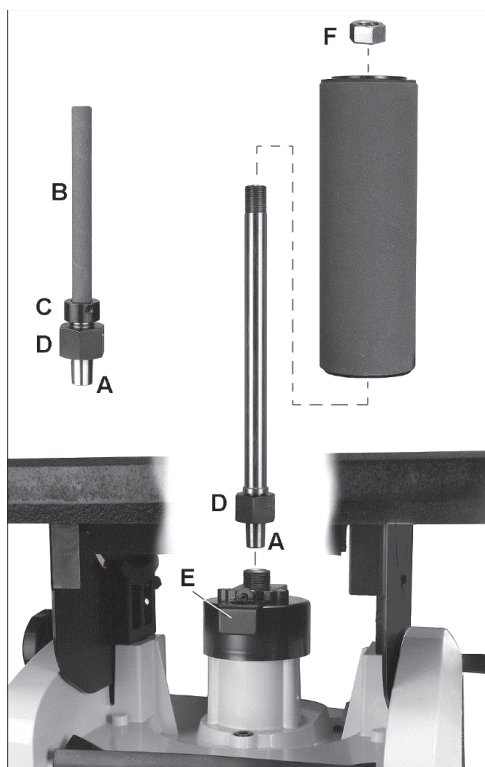


Figure 5: Spindle and drum mounting

5.6.2 Rubber drums

Refer to Figure 5.

1. Position spindle taper (A) into main shaft and hold.
2. Rotate nut (D) clockwise by hand, as viewed from above. Rotate nut until spindle seats (stops turning with nut), then continue rotating nut until it tightens.
3. Push and hold spindle lock (E). Note: Rotate spindle to ensure proper engagement.
4. Use provided combination wrench to tighten nut further. Do not overtighten.
5. Slide sanding sleeve completely onto drum until its bottom edge is even with drum.
6. Slide drum/sleeve assembly down fully onto spindle.
7. Push and hold spindle lock (E).
8. Install hex nut (F) onto spindle threads and tighten clockwise (as viewed from above) with provided combination wrench.
9. Pull on sleeve to ensure it is secure. If it slides, tighten nut (F) a bit further. Do not overtighten.
10. Release spindle lock (E). Make sure it retracts by rotating spindle slightly.

CAUTION

Make sure spindle lock has fully disengaged from spindle before turning on sander, or damage to motor may result.

To remove a spindle, reverse the above procedure(s).

5.7 Installing table insert

Tools required:

cross-point screwdriver straight edge

CAUTION

Failure to use proper table insert with corresponding spindle/drum may result in personal injury and/or damage to workpiece.

Table inserts are round or oblong. Table 1 identifies purpose of each.

Insert	Used with spindle (diameter)	Table angle
	3" and 4"	0 deg.
	1/2", 5/8", 3/4", 1", 1-1/2", 2"	0 deg.
	1/4" and 3/8"	0 deg.
	1/4", 3/8", 1/2", 5/8" and 3/4"	Up to 45 deg.
	1", 1-1/2", 2"	Up to 45 deg.
	3" and 4"	Up to 45 deg.

Table 1: Table insert identification

1. Position insert into table, so that notch is captured by the pin (A, Figure 6).
2. Place straight edge over insert and table. If gaps appear between straight edge and insert, turn screw(s) to raise or lower insert. Reposition straight edge at right angle to check level in both directions.

Note: Leveling one insert is sufficient as all inserts are same thickness.

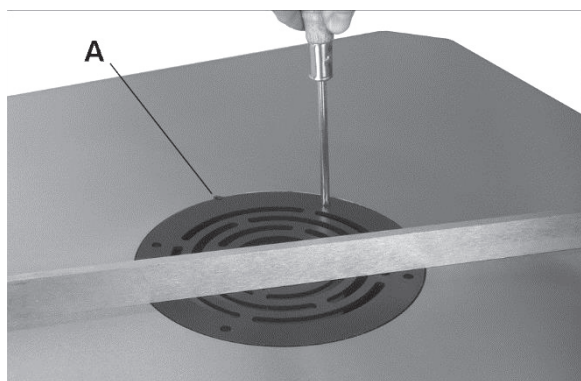


Figure 6: mounting table insert

5.8 Wrench storage

The provided combination wrench has a magnetic strip, and can be placed against any metal surface.

Expose the adhesive on the additional magnetic strip and apply anywhere on the cabinet surface. The hex key can be stored against it.

5.9 Dust collection

A sander produces a significant volume of wood dust; the use of a dust collection system is strongly recommended. It will help keep the shop clean, as well as reduce potential health hazards caused by inhalation of wood dust. The collector should have a capacity sufficient for this size machine; minimum 20m/sec flow rate is recommended.

TOOL FRANCE has a line of dust collection systems available; see your dealer or visit our website listed on the cover.

Connect the hose of your dust collection system to the 100mm dust port (Figure 7) at rear of sander.

Secure tightly with a hose clamp.

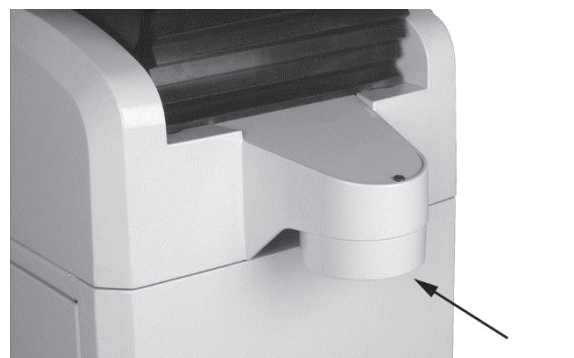


Figure 7

6.0 Mains connection

Mains connection and any extension cords used must comply with applicable regulations.

The mains voltage must comply with the information on the machine licence plate.

The mains connection must have a 10 A surge-proof fuse.

Only use power cords marked H07RN-F
Connections and repairs to the electrical equipment may only be carried out by qualified electricians.

7.0 Adjustments



Disconnect sander from power source, before making adjustments.

7.1 Rubber shields

Refer to Figures 9 and 10.

Front and rear rubber shields are connected at top by hook-and-loop fasteners. Peel off top of shield to access spindle area (Figure 9).

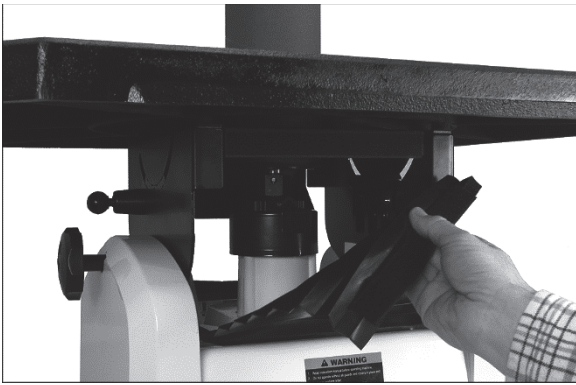


Figure 9: front shield

IMPORTANT: Before tilting table to maximum degree forward, move top of shield from upper position (A) to lower position (B).

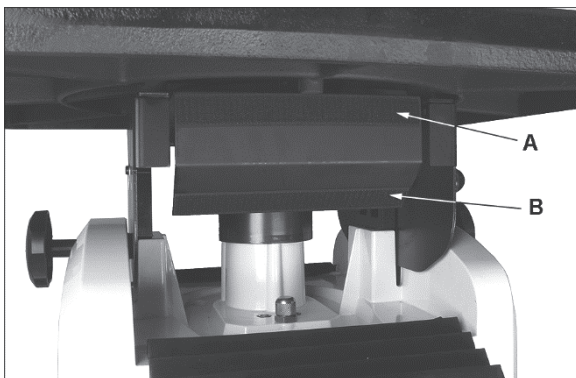


Figure 10: rear shield

7.2 Table tilt for bevel sanding

Refer to Figures 11 and 12.

- Loosen both knobs (A, Figure 11) counterclockwise.
To tilt forward (45-degree maximum):
- Move table by hand to desired angle shown on scale (B). Scale is marked in 5-degree increments.
- Retighten knobs (A).
To tilt backward (15-degree maximum):
- Pull out pin (C) and rotate it 90-degrees to keep it disengaged.
- Tilt table to desired position, and tighten knobs (A).

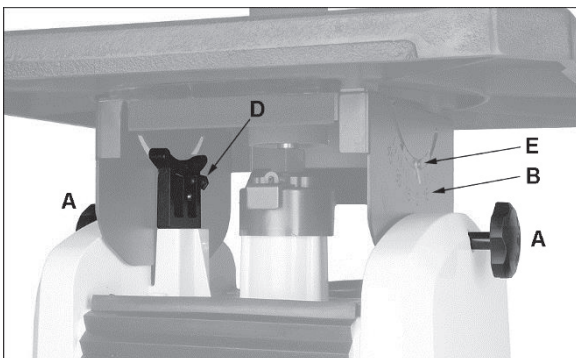


Figure 11: table tilt

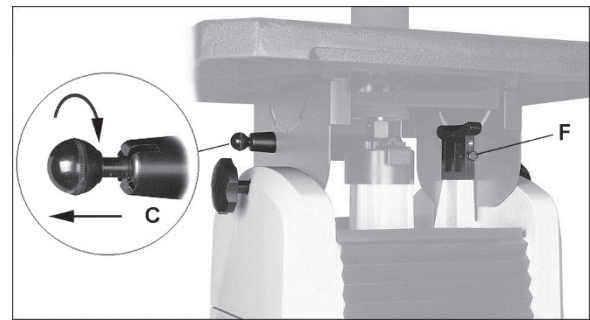


Figure 12: table tilt

7.2.1 Setting 90- and 45-degree stops

Tools required:
machinist square
13mm wrench

Refer to Figures 11 through 13.

- Make sure table insert has been leveled with table (sect. 6.7).
- Make sure pin (C) is re-engaged to contact stop screw. Position table at zero (90-degrees) against stop screw (D).
- Place square on table and against front of drum or spindle (Figure 13).
- Rotate screw (D) until square sits flush against table and spindle/drum.
- If needed, loosen pointer (E) and align it with zero degree mark.
- Tilt table to 45-degrees and check accuracy of 45-degree stop screw (F). Adjust as needed.

Note: The above procedure is sufficient for most wood sanding operations. If greater angle precision is needed, remove insert and use a larger square flush against a bare spindle and table surface to set 90-degree stop.



Figure 13: setting tilt stop

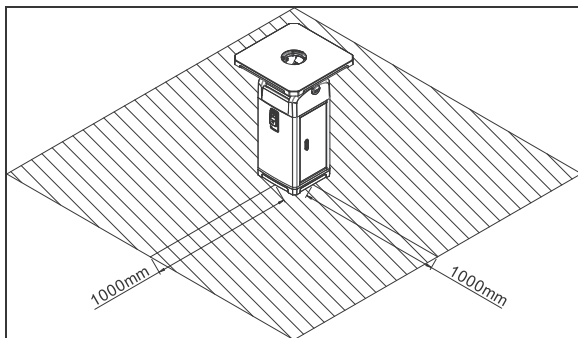
8.0 Operations

8.1 Operating guidelines

1. Select spindle that is slightly smaller than curve to be sanded.
2. Make sure spindle is properly secured on main shaft.
3. Use table insert that has smallest opening possible without contacting sanding sleeve.
4. Loosen both table handles and position table at desired angle. Tighten both table handles before operating.
5. Turn on sander and allow it to reach full speed before starting work.
6. Hold workpiece firmly and against table at all times.
7. For best results, keep workpiece moving against spindle.
8. When table is at zero (90-degrees), workpiece may approach sanding sleeve from any part of table.
When table is tilted, use table area in front of spindle.
9. Sanding sleeve life may be prolonged by reversing it on the spindle to make use of opposite end.

8.2 Working Area

Make sure the working area is sufficient and proper for operation. The recommended minimum area is shown as below figure.



CAUTION

Keep fingers clear of sanding sleeve and table insert hole during operation.

8.3 Safety switch

Refer to Figure 14.

To start sander, push green button (A).

To stop sander, push red button (B).

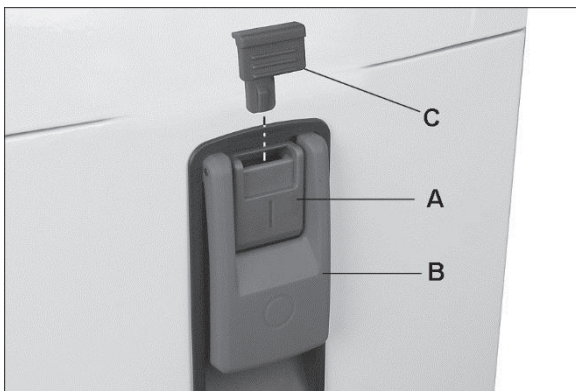


Figure 14

8.4 Safety key

The switch has a safety feature that prevents unauthorized or accidental starting of the sander.

With sander turned off, slide safety key (C, Figure 14) upward and remove it from switch. Store in a safe place.

This piece must be re-inserted before sander can operate.

9.0 Maintenance

⚠WARNING

Always disconnect power to the machine before performing maintenance. Failure to do this may result in serious personal injury.

9.1 General maintenance

Clean the sander after each use. Vacuum any residual dust inside the cabinet and around spindle area.

Periodically apply a light coat of paste wax or other protectant to the table surface to prevent rust.

All bearings are permanently lubricated and sealed; no further lubrication required.

9.2 Gearbox lubrication

Periodically check oil level at the sight glass (D, Figure 15) – oil should be mid-level in the glass.

Use good quality SAE 90 gear oil.

Completely drain and refill after every 800 hours of use. Oil capacity is 1.6 liters.

To drain and refill gearbox:

1. Remove accessories from inside cabinet to access drain plug.
2. Remove drain plug (E, Figure 15) with 14mm wrench. Dispose of used oil properly. Reinstall drain plug.
3. Open rear shield, and clean area around oil cap. Unscrew oil cap (F, Figure 16) by hand, and remove spring.
4. Fill reservoir until oil level is at center of sight glass (D).
5. Reinstall spring and oil cap.

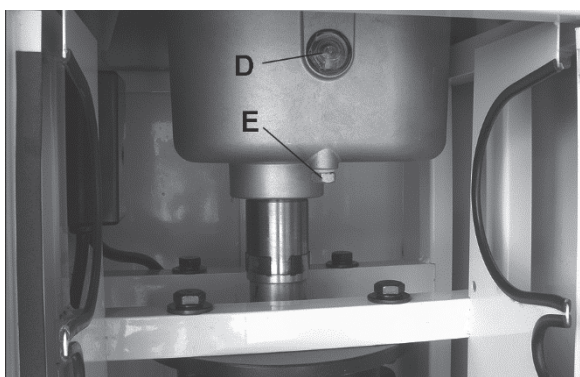


Figure 15

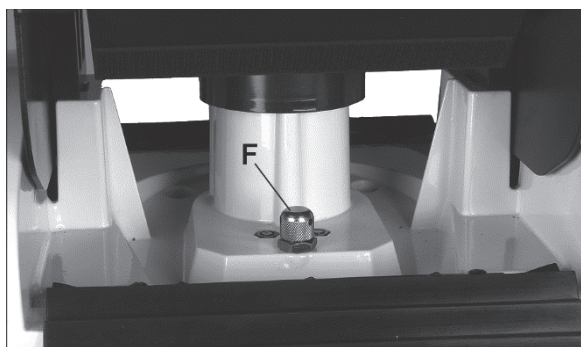


Figure 16

10.0 Troubleshooting JOSS-S Spindle Sander

Symptom	Possible Cause	Correction
Sander will not start.	Sander unplugged from wall or motor.	Check all plug connections.
	Fuse blown, or circuit breaker tripped in service panel.	Replace fuse, or reset circuit breaker.
	Cord damaged.	Replace cord.
	Starting capacitor bad.	Replace starting capacitor.
Sanding drum does not come up to speed.	Extension cord too light or too long.	Replace with adequate size and length cord.
	Low current.	Contact a qualified electrician.
Machine vibrates excessively.	Stand or base on uneven surface.	Adjust stand or base so that it rests evenly on the floor.
	Bearings worn.	Replace bearings.
Sanded edge not square.	Table not square to sanding drum.	Use a square to adjust table to sanding drum.
Sanding marks on wood.	Wrong grit sanding sleeve.	Use coarser grit for stock removal and fine grit for finish sanding.
	Feed pressure too great.	Do not force workpiece against spindle or drum.

Table 3

11.0 Available accessories

Refer to the TOOL FRANCE Pricelist for various grit sanding sleeves.

12.0 Environmental protection

Protect the environment.

Your appliance contains valuable materials which can be recovered or recycled. Please leave it at a specialized institution.



This symbol indicates separate collection for electrical and electronic equipment required under the WEEE Directive (Directive 2012/19/EC) and is effective only within the European Union.

DE - DEUTSCH

BEDIENUNGSANLEITUNG

Sehr geehrter Kunde,

Vielen Dank für Ihr Vertrauen, dass Sie durch den Kauf Ihrer neuen TOOL FRANCE Maschine in uns gesetzt haben. Diese Anleitung wurde für den Besitzer und die Bediener der oszillierenden Spindelschleifmaschine TOOL FRANCE JOSS-S erstellt und soll die Sicherheit bei Aufstellung, Bedienung und Wartung gewährleisten. Bitte lesen Sie die in dieser Betriebsanleitung und den begleitenden Dokumenten enthaltenen Informationen vollständig und sorgfältig, um sicherzustellen, dass Sie alle Anweisungen genau verstehen. Damit Sie die Maschine so lange wie möglich sicher betreiben und mit höchstmöglicher Effizienz nutzen können, müssen diese Anleitung gründlich durchlesen und alle Anweisungen befolgen.

1. Konformitätserklärung

Wir erklären in alleiniger Verantwortlichkeit, dass dieses Produkt mit den auf Seite 2 angegebenen Richtlinien* übereinstimmt.

Bei der Konstruktion wurden folgende Normen** berücksichtigt.

2. Garantieleistungen

TOOL FRANCE garantiert, dass das/die von ihr gelieferte/n Produkt/e frei von Material- und Herstellungsfehlern ist.

Diese Garantie deckt keinerlei Mängel, Schäden und Fehler ab, die - direkt oder indirekt - durch falsche oder nicht sachgemäße Verwendung, Fahrlässigkeit, Unfallschäden, Reparaturen oder unzureichende Wartungs- oder Reinigungsarbeiten sowie durch natürliche Abnutzung durch den Gebrauch verursacht werden.

Weitere Einzelheiten zur Garantie können den allgemeinen Geschäftsbedingungen (AGB) entnommen werden.

Diese können Ihnen auf Wunsch per Post oder Mail zugesendet werden.

TOOL FRANCE behält sich das Recht vor, jederzeit Änderungen am Produkt und am Zubehör vorzunehmen.

3. Sicherheit

3.1 Bestimmungsgemäße Verwendung

Diese Spindelschleifmaschine ist ausschließlich für das Schleifen von Holz und vergleichbaren Werkstoffen ausgelegt. Das Schleifen von anderen Werkstoffen ist nicht zulässig und darf in Sonderfällen nur nach ausdrücklicher Genehmigung des Herstellers durchgeführt werden.

Die Maschine ist nicht für Nassschleifvorgänge geeignet. Für die bestimmungsgemäße Verwendung müssen außerdem die Betriebs- und Wartungsanweisungen in diesem Handbuch beachtet werden.

Die Maschine darf nur von Personen bedient werden, die mit der Bedienung und Wartung dieser Maschine sowie den damit verbundenen Gefahren vertraut sind.

Das erforderliche Mindestalter muss beachtet werden.

Die Maschine darf nur in technisch einwandfreiem Zustand verwendet werden.

Beim Arbeiten mit der Maschine müssen alle Sicherheitsmechanismen und Sicherheitsabdeckungen funktionstüchtig und korrekt montiert sein.

Zusätzlich zu den in dieser Betriebsanleitung aufgeführten Sicherheitsmaßnahmen und den in Ihrem Land geltenden Regelungen müssen außerdem die allgemein anerkannten technischen Grundsätze

hinsichtlich der Bedienung von Holzbearbeitungsmaschinen beachtet werden.

Jegliche anderweitige Verwendung ist untersagt.

Bei nicht bestimmungsgemäßer Verwendung der Maschine übernimmt der Hersteller keinerlei Haftung und der Bediener trägt die volle Verantwortung.

3.2 Allgemeine Sicherheitshinweise

Holzbearbeitungsmaschinen bergen bei nicht sachgemäßer Verwendung ein großes Gefahrenpotential. Daher müssen die entsprechenden technischen Grundsätze und die folgenden Hinweise beachtet werden.



Vor Montage und Inbetriebnahme muss die Bedienungsanleitung vollständig durchgelesen und verstanden werden.



Diese Bedienungsanleitung muss in der Nähe der Maschine aufbewahrt, vor Schmutz und Feuchtigkeit geschützt und bei Weitergabe des Produkts an einen neuen Besitzer mit übergeben werden.

An der Maschine dürfen keine Änderungen vorgenommen werden.

Vor dem Starten der Maschine müssen alle Sicherheitseinrichtungen täglich auf Funktionstüchtigkeit und Vorhandensein geprüft werden.

In diesem Fall darf die Maschine nicht in Betrieb genommen werden und muss durch Abziehen des Netzkabels gesichert werden.

Locker sitzende Kleidung darf nicht getragen werden und lange Haare zusammenbinden.

Bevor mit dieser Maschine gearbeitet wird, Krawatten, Ringe, Armbanduhren und anderen Schmuck ablegen und die Ärmel bis über die Ellbogen aufrollen. Sicherheitsschutze tragen; niemals mit Freizeitschuhen oder Sandalen arbeiten.

Stets zulässige und geeignete Arbeitskleidung tragen.

- Augenschutz
- Ohrenschutz
- Staubschutz



Keine Handschuhe tragen.

Die Maschine muss so aufgestellt werden, dass ausreichend Platz zur sicheren Bedienung und zur Handhabung des Werkstücks gewährleistet ist.

Es muss für eine gute Beleuchtung des Arbeitsbereichs gesorgt werden.

Die Maschine ist für den Betrieb in geschlossenen Räumen ausgelegt und muss stabil und sicher auf einer festen und ebenen Fläche aufgestellt werden.

Es muss sichergestellt werden, dass das Netzkabel die Arbeiten nicht behindert und keine Stolpergefahr darstellt.

Den Boden rund um die Maschine sauber und frei von Ausschussmaterial, Öl oder Schmierfett halten.

Stets aufmerksam bleiben!

Der Arbeit ist uneingeschränkte Aufmerksamkeit zu widmen. Mit gesundem Menschenverstand vorgehen.

Die Maschine darf nicht bei Müdigkeit bedient werden.

Die Bedienung dieser Maschine unter dem Einfluss von Drogen, Alkohol oder Medikamenten ist untersagt.

Urteils- und Reaktionsvermögen sowie Motorik können durch Einnahme von Medikamenten beeinträchtigt werden.

Greifen Sie niemals in die Maschine hinein, während sich diese in Betrieb befindet oder nachläuft.



Lassen Sie die Maschine niemals unbeaufsichtigt. Die Maschine muss vor dem Verlassen des Arbeitsplatzes ausgeschaltet werden.

Kinder und Unbefugte müssen vom Arbeitsbereich ferngehalten werden.

Die Maschine darf nicht in der Nähe von entzündlichen Flüssigkeiten oder Gasen betrieben werden.

Alle Einrichtungen für Brandbekämpfung und Feueralarm - beispielsweise Position und Bedienung von Feuerlöschern - müssen bekannt sein.

Die Maschine darf nicht in feuchter Umgebung eingesetzt werden und darf keinem Regen ausgesetzt werden.

Holzstaub ist explosiv und kann darüber hinaus auch ein Gesundheitsrisiko darstellen.

Insbesondere gilt der Holzstaub einiger Tropenholzarten sowie Hartholzarten wie z.B. Buchen- und Eichenholz als krebserregend.

Es muss stets eine geeignete Staubabsaugvorrichtung verwendet werden.

Vor der Bearbeitung müssen sämtliche Nägel und Fremdkörper von dem Werkstück entfernt werden. Die Maschine darf unter keinen Umständen ohne Tischeinsatz betrieben werden.

Das Werkstück muss während der Bearbeitung stets sorgfältig geführt und gut festgehalten werden.

Nur Werkstücke bearbeiten, die sicher und stabil auf dem Tisch liegen.

Die Vorgaben hinsichtlich Maximal- und Minimalgröße des Werkstücks müssen beachtet werden.

Späne und Werkstückteile dürfen erst nach vollständigem Stillstand der Maschine entfernt werden. Stellen Sie sich nicht auf die Maschine.

Anschluss- und Reparaturarbeiten an der Elektrik dürfen ausschließlich von einem qualifizierten Elektriker durchgeführt werden.



Ein beschädigtes oder verschlissenes Netzkabel muss umgehend ersetzt werden.

Gerissene bzw. verschlissene Schleifbänder müssen umgehend ersetzt werden.

Vor Ausführung aller erforderlichen Einstellungen oder Wartungsarbeiten die Maschine vom Stromnetz trennen.

**3.3 Restrisiken**

Selbst bei Beachtung aller Vorschriften können beim Betrieb der Maschine einige Restrisiken bestehen.

Von der drehenden Schleifhülse geht eine Verletzungsgefahr aus.

Es besteht Rückschlaggefahr. Das Werkstück kann von der drehenden Schleifhülse erfasst und in Richtung des Bedieners geschleudert werden.

Fortgeschleuderte Werkstücke können zu Verletzungen führen.

Es bestehen Gesundheitsrisiken durch Schleifstaub und Lärm. Persönliche Schutzausrüstung wie z.B. Schutzbrille und Staubschutzmaske tragen. Ein geeignetes Staubabsaugsystem verwenden.

Defekte Schleifscheiben können Verletzungen verursachen.

Bei Verwendung eines ungeeigneten Netzanschlusses und eines beschädigten Netzkabels kann es zu Verletzungen aufgrund eines Stromschlags kommen.

3.4 Schilder und ihre Positionen

- A. Sicherheitswarnung
- B. Spindeldrehrichtung
- C. Spindelverriegelung muss vor Betrieb vollständig gelöst werden
- D. Stromschlaggefahr
- E. Typenschild mit CE-Zeichen



4. Spezifikationen der Maschine

4.1 Technische Daten

Tischgröße (LxB)	623 x 623 mm
Tischneigung	45° vorne, 15° hinten
Spindeldrehzahl	1400 U/min
Oszillationsfrequenz	60 /min
Oszillationshub	38 mm
Schleifhülsenlänge	150 - 230 mm
Max. Werkstückhöhe	80 - 160 mm
Anschlussdurchm. Staubabsaugung	100 mm
Absaugleistung bei 20 m/s	560 m ³ /h
Gesamt (LxBxH)	623 x 623 x 995 mm
Tischhöhe	995 mm
Nettogewicht	98 kg
Netz	1~230V, PE, 50Hz
Abgabeleistung	0,75 kW (1 PS) S1
Nennstrom	5,5 A
Verlängerungskabel (H07RN-F):	3 x 1,5 mm ²
Netzabsicherung	10 A

4.2 Geräuschemission

Angegebene Emissionswerte gemäß EN ISO 4871:

A-bewerteter Schalldruckpegel (LpA)	72,9 dB
Messunsicherheit	3 dB
A-bewerteter Schalleistungspegel (LwA)	86,1 dB

Bei den angegebenen Werten handelt es sich um Emissionspegel, die nicht notwendigerweise als sichere Betriebspegel zu betrachten sind.

Diese Information dient dazu, dem Anwender bei unterschiedlichen Arbeitsplatzbedingungen eine bessere Einschätzung hinsichtlich der involvierten Gefahren und Risiken zu ermöglichen.

4.3 Lieferumfang

Die meisten der nachstehenden Komponenten können an oder im Schrank der Schleifmaschine gefunden werden. Einige Komponenten werden in einer kleinen Kiste gemeinsam mit der Maschine geliefert. Ein Tischeinsatz ist bei Lieferung am Tisch montiert.

Siehe Abbildung 1.

- 1 Spindelschleifmaschine (nicht gezeigt)
- 6 Tischeinsätze:
 - für 4" (100mm) Gummitrommel (bei 90°) – A
 - für 2" (50mm) Gummitrommel (bei 90°) – B
 - für 1/4" (6mm) und 3/8" (9mm) Spindel (bei 90°) – C
 - für 1/4" (6mm) bis 3/4" (19 mm) geneigt – D
 - für 1" (25 mm), 1-1/2" (38 mm), 2" (50 mm) geneigt – E
 - für 3" (75 mm) und 4" (100 mm) geneigt – F
- 1 Gummitrommel mit Hülse 4" (100 mm) – G
- 1 Gummitrommel mit Hülse 3" (75 mm) – H
- 1 Gummitrommel mit Hülse 2" (50 mm) – J
- 1 Gummitrommel mit Hülse 1-1/2" (38 mm) – K
- 1 Gummitrommel mit Hülse 1" (25 mm) – L
- 1 Hülse 3/4" (19 mm) – M
- 1 Spindel 3/4" (19 mm) – N
- 1 Spindel 5/8" (16 mm) mit Hülse – O
- 1 Spindel 1/2" (12 mm) mit Hülse – P
- 1 Spindel 3/8" (9 mm) mit Hülse – R
- 1 Spindel 1/4" (6 mm) mit Hülse – S
- 1 Spindel-Sechskantmutter – T
- 1 Ringgabelschlüssel (mit Magnetstreifen) – U
- 1 Innensechskantschlüssel 3 mm und Magnetstreifen – V
- 1 Bedienungsanleitung
- 1 Ersatzteilliste

Hinweis: Alle mitgelieferten Schleifhülsen haben die Körnung 100. Weitere Körnungen sind erhältlich – siehe Stückliste.

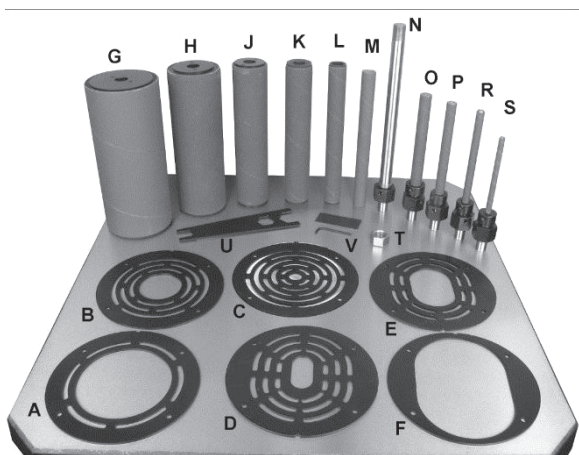


Abbildung 1

5. Einrichtung und Montage

Die Hauptschleifeinheit bedarf keiner Montage. Im Rahmen der Einrichtung muss die Schleifmaschine von der Palette entfernt und der gewünschte Tischeinsatz sowie die Spindel-/Hülse-Kombination angebracht werden.

5.1 Transport und Aufstellung

Die Maschine ist für den Betrieb in geschlossenen Räumen ausgelegt und muss stabil und sicher auf einer festen und ebenen Fläche aufgestellt werden.

5.2 Zusätzliche benötigte Werkzeuge

- Ratschenschlüssel mit Buchsensatz (oder verstellbarer Schraubenschlüssel)
- Kreuzschlitzschraubendreher
- Winkelmaß
- Haarlineal

5.3 Entpacken und Reinigen

Alle Inhalte des Versandkartons einschließlich der Teile im Schleifmaschinenschrank (Zugang über Seitentür) überprüfen. Schäden oder fehlende Teile dem Zulieferer melden.

Ungeschützte Metallflächen wie z.B. die Tischoberfläche wurden ab Werk mit einer Schutzbeschichtung versehen. Diese Beschichtung muss mit einem weichen, mit Lösungsmittel (z.B. Spiritus) befeuchteten Tuch entfernt werden. Keine Lösungsmittel mit niedrigem Flammpunkt verwenden und Lösungsmittel von Kunststoff- und Gummitteilen fernhalten. Kein Schleifpad verwenden, da dies die ungeschützten Oberflächen zerkratzen kann.

Regelmäßig eine dünne Schicht Pastenwachs oder ein anderes Schutzmittel auf die Tischoberfläche auftragen, um Rostbildung zu verhindern.

5.4 Entfernen von Palette

1. Schranktür öffnen und Zubehörteile entfernen.
2. Ratschenschlüssel mit langer Buchse verwenden, um die zwei Schrauben auszuschauben, mit denen die Maschine an der Palette befestigt ist (Abbildung 2).
3. Die Schleifmaschine mit einem Helfer von der Palette entfernen.

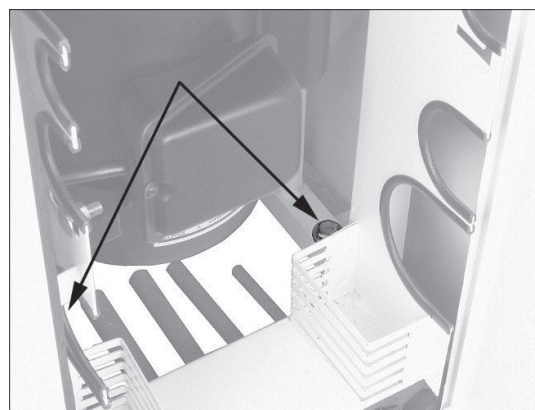


Abbildung 2

5.5 Lagerung von Trommeln und Spindeln

Trommeln, Spindeln und Tischeinsätze sicher im Schrank aufbewahren (Abbildung 3). Zum Öffnen der Tür den Verriegelungsmechanismus von unten anheben und um 90 Grad entgegen dem Uhrzeigersinn drehen (Abbildung 4). Zum Verriegeln der Schranktüre umgekehrt vorgehen.

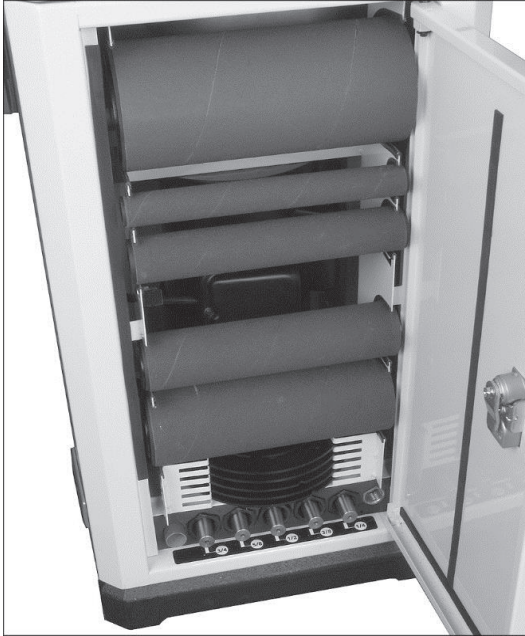


Abbildung 3: Lagerung im Schrank

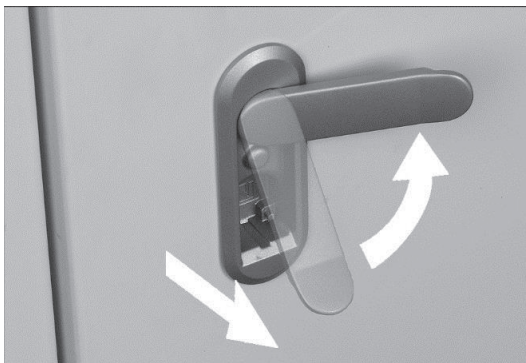


Abbildung 4: Türverriegelung

5.6 Anbringen/Entfernen von Spindeln

⚠️ WARNUNG

Die Schleifmaschine zum Anbringen oder Entfernen von Schleifbaugruppen von der Stromversorgung trennen. Bei Nichtbeachtung kann es zu schwerwiegenden Verletzungen kommen.

Vordere Abdeckung öffnen (siehe Abschnitt 8.1 Gummiabdeckungen).

Vor dem Anbringen den kegelförmigen Bereich (A, Abbildung 5) an allen Spindelbaugruppen gründlich reinigen. Außerdem die Gegenwelle an der Schleifmaschine reinigen.

Etwaig angebrachten Tischeinsatz entfernen. Tisch kann für leichteren Zugang 15° nach hinten gekippt werden (siehe Abschnitt 8.2).

5.6.1 Spindeln mit kleiner Hülse

Siehe Abbildung 5.

1. Schleifhülse (B) ganz auf Spindel aufschieben, sodass diese ganz in den Bund (C) eingeschoben wird.
2. Die Stellschraube am Bund (C) mit dem beiliegenden 3-mm-Innensechskantschlüssel festziehen. Nicht zu fest anziehen.
3. An der Hülse ziehen, um sicherzustellen, dass diese sicher befestigt ist.
4. Spindelkonus (A) in die Hauptwelle einsetzen und halten.
5. Die Mutter (D) von oben gesehen im Uhrzeigersinn von Hand drehen. Die Mutter weiter drehen, bis die Spindel korrekt sitzt (sich nicht länger mit der Mutter dreht), dann die Mutter weiter drehen, bis diese handfest angezogen ist.
6. Spindelverriegelung (E) hineindrücken und halten. Hinweis: Spindel drehen, um korrekte Verbindung sicherzustellen.
7. Den mitgelieferten Ringgabelschlüssel verwenden, um die Mutter festzuziehen. Nicht zu fest anziehen.
8. Spindelverriegelung loslassen. Durch leichtes Drehen der Spindel sicherstellen, dass sich diese korrekt zurückzieht.

⚠️ VORSICHT

Vor dem Einschalten der Schleifmaschine sicherstellen, dass die Spindelverriegelung vollständig gelöst wird, da es andernfalls zu Beschädigungen am Motor kommen kann.

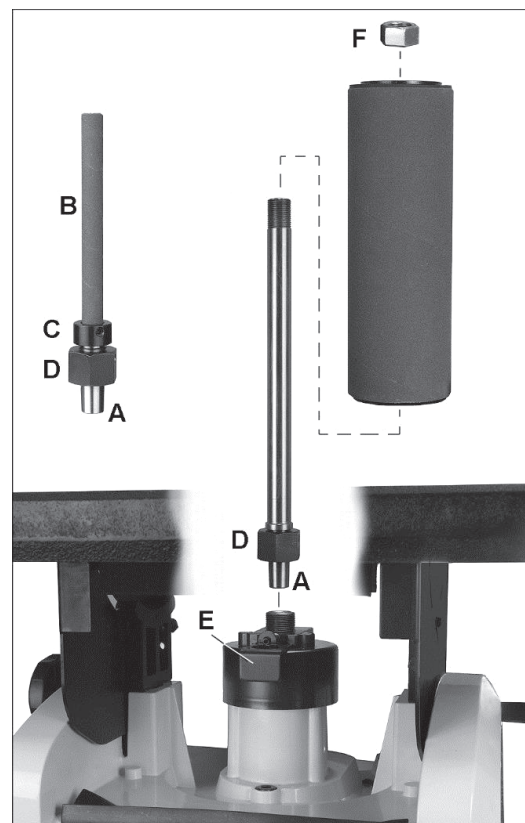


Abbildung 5: Spindel- und Trommelmontage

5.6.2 Gummitrommeln

Siehe Abbildung 5.

1. Spindelkonus (A) in die Hauptwelle einsetzen und halten.
2. Die Mutter (D) von oben gesehen im Uhrzeigersinn von Hand drehen. Die Mutter drehen, bis die Spindel korrekt sitzt (sich nicht länger mit der Mutter dreht), dann die Mutter weiter drehen, bis diese handfest angezogen ist.
3. Spindelverriegelung (E) drücken und halten.
Hinweis: Spindel drehen, um korrekte Verbindung sicherzustellen.
4. Den mitgelieferten Ringgabelschlüssel verwenden, um die Mutter festzuziehen. Nicht zu fest anziehen.
5. Schleifhülse ganz auf die Trommel aufschieben, bis deren Unterkante mit der Trommel bündig ist.
6. Die Einheit aus Trommel und Hülse ganz nach unten auf die Spindel schieben.
7. Spindelverriegelung (E) drücken und halten.
8. Sechskantmutter (F) auf dem Spindelgewinde anbringen und mit dem mitgelieferten Ringgabelschlüssel (von oben gesehen) im Uhrzeigersinn festziehen.
9. An der Hülse ziehen, um sicherzustellen, dass diese sicher befestigt ist. Falls sie sich verschieben lässt, die Mutter (F) etwas stärker festziehen. Nicht zu fest anziehen.
- 10 Spindelverriegelung (E) loslassen. Durch leichtes Drehen der Spindel sicherstellen, dass sich diese korrekt zurückzieht.



Vor dem Einschalten der Schleifmaschine sicherstellen, dass die Spindelverriegelung vollständig von der Spindel gelöst wird, da es andernfalls zu Beschädigungen am Motor kommen kann.

Zum Entfernen einer Spindel in entsprechend umgehrter Reihenfolge vorgehen.

5.7 Anbringen eines Tischeinsatzes

Benötigte Werkzeuge:

Kreuzschlitzschraubendreher

Haarlineal



Es muss entsprechend der Spindel/Trommel der richtige Tischeinsatz verwendet werden, da es andernfalls zu Verletzungen und/oder Beschädigung des Werkstücks kommen kann.

Tischeinsätze haben eine runde oder ovale Form. Tabelle 1 zeigt den Verwendungszweck der einzelnen Elemente.







Einsatz	Verwendet mit Spindel (Durchmesser)	Tischwinkel
	3" und 4"	0 Grad
	1/2", 5/8", 3/4", 1", 1-1/2", 2"	0 Grad
	1/4" und 3/8"	0 Grad
	1/4", 3/8", 1/2", 5/8" und 3/4"	Bis zu 45 Grad
	1", 1-1/2", 2"	Bis zu 45 Grad
	3" und 4"	Bis zu 45 Grad

Tabelle 1: Spezifikation Tischeinsätze

1. Tischeinsatz in den Tisch einsetzen, sodass der Stift in der Kerbe sitzt (A, Abbildung 6).
2. Haarlineal über Einsatz und Tisch platzieren. Falls es einen Spalt zwischen Haarlineal und Einsatz gibt, die Schraube(n) drehen, um den Einsatz anzuheben oder abzusenken. Haarlineal im rechten Winkel platzieren, um die Nivellierung in beiden Richtungen zu prüfen.

Hinweis: Die Nivellierung eines Tischeinsatzes ist ausreichend, da alle Einsätze die selbe Dicke aufweisen.

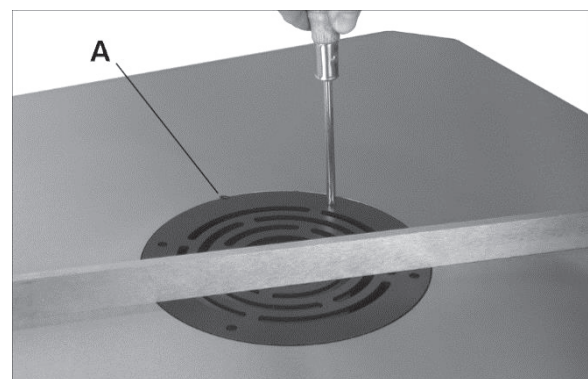


Abbildung 6: Montage Tischeinsatz

5.8 Aufbewahrung des Schraubenschlüssels

Der mitgelieferte Ringgabelschlüssel verfügt über einen Magnetstreifen und kann an jeder Metallfläche angebracht werden.

Die Klebefläche am zusätzlichen Magnetstreifen freilegen und diesen an einer beliebigen Stelle an der Schrankwand platzieren. Diese dient zum Aufbewahren des Innensechskantschlüssels.

5.9 Staubabsaugung

Da eine Schleifmaschine große Mengen an Holzstaub produziert, wird dringend die Verwendung einer Staubabsauganlage empfohlen. Dies trägt nicht nur zur Sauberkeit des Arbeitsplatzes bei sondern verringert auch die Gesundheitsrisiken durch das Einatmen von Holzstaub. Die Absauganlage muss eine ausreichende Saugleistung für eine Maschine dieser Größe aufweisen.

Empfohlen wird eine Leistung von mindestens 20 m/s.

TOOL FRANCE bietet verschiedene Staubabsauganlagen an. Wenden Sie sich für weitere Informationen an Ihren Händler oder besuchen Sie unsere Website, die auf dem Deckblatt angegeben ist.

Der Schlauch der Staubabsauganlage wird an dem 100-mm-Anschluss (Abbildung 7) an der Rückseite der Schleifmaschine angeschlossen. Der Schlauch muss mit einer Schlauchschelle gesichert werden.

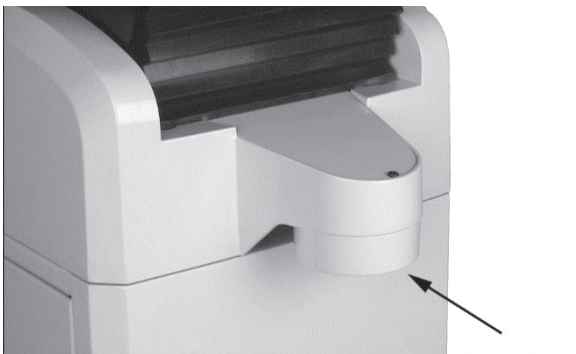


Abbildung 7

6.0 Netzanschluss

Netzanschluss und Verlängerungskabel müssen den geltenden Regelungen entsprechen.

Die Netzspannung muss den Anforderungen auf dem Kennschild der Maschine entsprechen.

Der Netzanschluss muss über eine träge Sicherung (10 A) rfügen.

Nur Netzkabel mit der Kennung H07RN-F verwenden.

Anschlüsse und Reparaturen der elektrischen Ausrüstung dürfen ausschließlich von qualifizierten Elektrikern durchgeführt werden.

7.0 Einstellungen



Die Schleifmaschine muss vor dem Durchführen von Einstellungen von der Stromversorgung getrennt werden.

7.1 Gummiabdeckungen

Siehe Abbildung 9 und 10.

Die vordere und hintere Gummiabdeckung sind oben mit Klettverschlüssen befestigt. Die Abdeckung oben ablösen, um Zugang zum Spindelbereich zu erhalten (Abbildung 9).

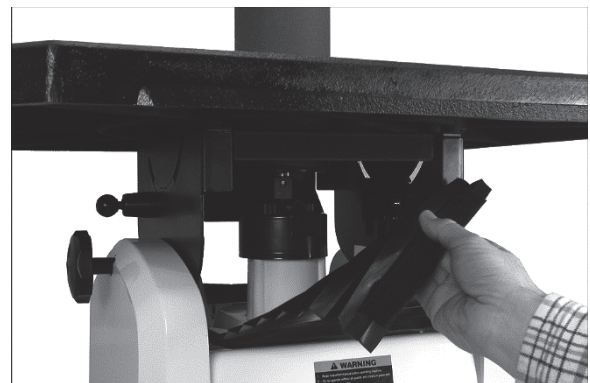


Abbildung 9: Vordere Abdeckung

WICHTIG: Bevor der Tisch maximal nach vorne gekippt wird, den Oberteil der Abdeckung von der oberen Position (A) in die untere Position (B) bringen.

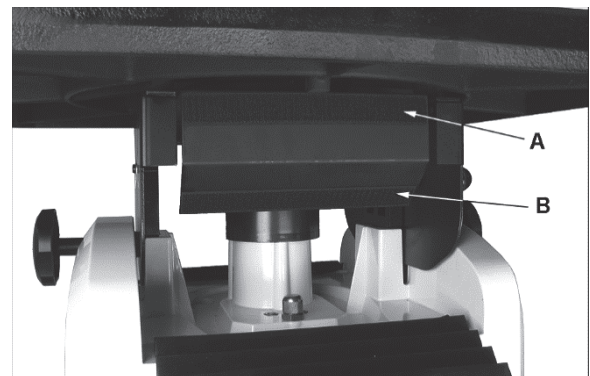


Abbildung 10: Hintere Abdeckung

7.2 Tischneigung für Schrägschleifen

Siehe Abbildung 11 und 12.

1. Beide Knäufe (A, Abbildung 11) entgegen dem Uhrzeigersinn lösen.
Zum Kippen nach vorne (max. 45 Grad):
2. Den Tisch von Hand anhand der Skala (B) bis zum gewünschten Winkel bewegen. Die Markierungen der Skala geben 5°-Schritte an.
3. Die Knäufe (A) wieder festziehen.
Zum Kippen nach hinten (max. 15 Grad):
4. Den Stift (C) herausziehen und um 90 Grad drehen, sodass dieser ausgerückt bleibt.
5. Tisch in die gewünschte Position neigen und die Knäufe (A) wieder festziehen.

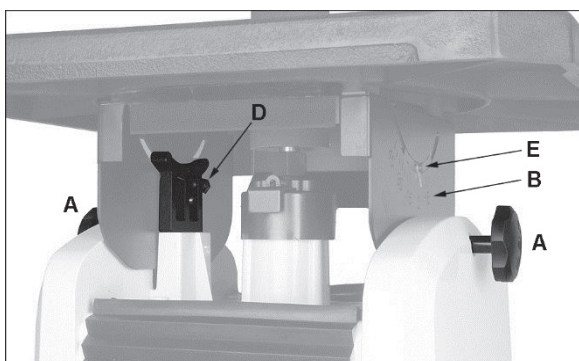


Abbildung 11: Tischneigung

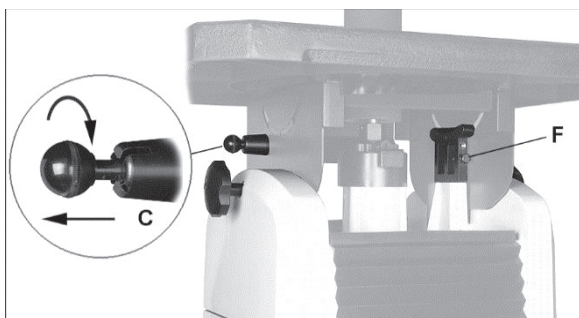


Abbildung 12: Tischneigung

4. Die Schraube (D) drehen, bis das Winkelmaß bündig am Tisch und an der Spindel/Trommel anliegt.
5. Bei Bedarf den Zeiger (E) lösen und auf die 0°-Markierung ausrichten.
6. Den Tisch auf 45 Grad neigen und die Genauigkeit der 45°-Anschlagsschraube (F) prüfen. Bei Bedarf einstellen.

Hinweis: Die obige Vorgehensweise ist für die meisten Holzschleifvorgänge ausreichend. Falls eine höhere Winkelgenauigkeit benötigt wird, den Einsatz entfernen und ein größeres Winkelmaß bündig an der bloßen Spindel und der Tischoberfläche anlegen, um den 90°-Anschlag einzustellen.

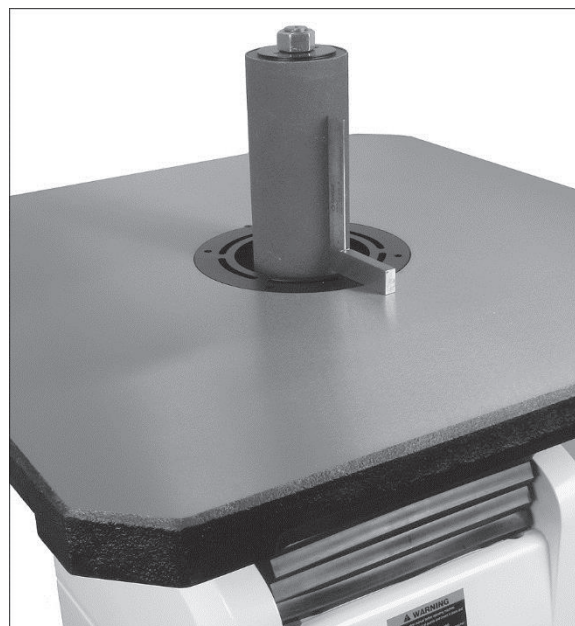


Abbildung 13: Einstellen des Neigungsanschlags

7.2.1 Einstellen der 90°- und 45°-Anschläge

Benötigte Werkzeuge:

Winkelmaß

13-mm-Schraubenschlüssel

Siehe Abbildung 11 bis 13.

1. Sicherstellen, dass Tischeinsatz und Tisch korrekt nivelliert sind (Abschnitt 6.7).
2. Sicherstellen, dass der Stift (C) korrekt an der Anschlagsschraube eingerückt ist. Den Tisch bei 0 Grad (90 Grad) an der Anschlagsschraube (D) positionieren.
3. Winkelmaß auf dem Tisch und an der Vorderseite von Trommel oder Spindel platzieren (Abbildung 13).

8.0 Maschinenbetrieb

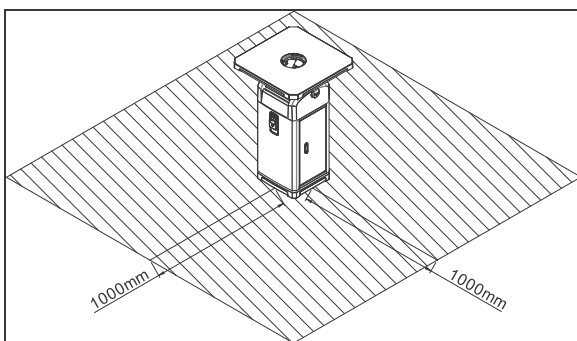
8.1 Richtlinien für den Betrieb

1. Eine Spindel wählen, die geringfügig kleiner als die zu schleifende Rundung ist.
2. Sicherstellen, dass die Spindel sicher an der Hauptwelle befestigt ist.
3. Den Tischeinsatz mit der kleinstmöglichen Öffnung verwenden, der die Schleifhülse nicht berührt.
4. Die beiden Tischgriffe lösen und den Tisch im gewünschten Winkel positionieren. Die beiden Tischgriffe vor Aufnahme des Betriebs festziehen.
5. Die Schleifmaschine einschalten und die Arbeit erst aufnehmen, wenn die volle Drehzahl erreicht wurde.
6. Das Werkstück gut festhalten und stets an den Tisch andrücken.
7. Die besten Ergebnisse werden erzielt, wenn das Werkstück stets an der Spindel entlang bewegt wird.
8. Wenn der Tisch auf 0 Grad (90 Grad) eingestellt ist, kann das Werkstück von jedem Bereich des Tisches an die Schleifhülse herangeführt werden. Wenn der Tisch geneigt ist, den Tischbereich vor der Spindel verwenden.
9. Die Standzeit der Schleifhülse kann verlängert werden, indem die Hülse andersherum auf die Spindel aufgeschoben und so das andere Hülsenende verwendet wird.

8.2 Arbeitsbereich

Sicherstellen, dass für den Betrieb ein ausreichender und geeigneter Arbeitsbereich zur Verfügung steht.

Der empfohlene Mindestbereich ist in der nachstehenden Abbildung dargestellt.



Während des Betriebs die Finger fern von der Schleifhülse und der Tischeinsatzöffnung halten.

8.3 Sicherheitsschalter

Siehe Abbildung 14.

Zum Starten der Schleifmaschine die grüne Taste (A) drücken.

Zum Stoppen der Schleifmaschine die rote Taste (B) drücken.

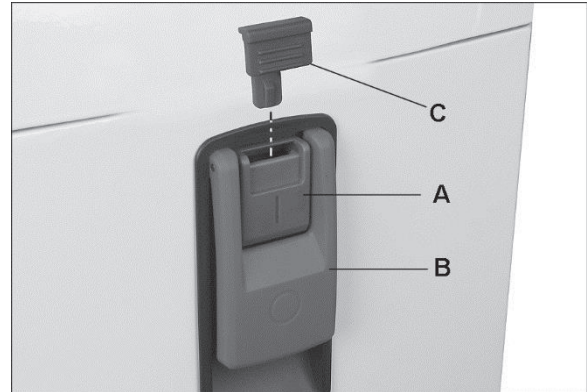


Abbildung 14

8.4 Sicherheitsschlüssel

Der Schalter verfügt über eine Sicherheitsfunktion, die ein unautorisiertes oder versehentliches Starten der Schleifmaschine verhindert.

Den Sicherheitsschlüssel (C, Abbildung 14) bei ausgeschalteter Schleifmaschine nach oben herausziehen und aus dem Schalter entfernen. An einem sicheren Ort aufbewahren. Dieses Element muss zwecks Betrieb der Schleifmaschine wieder eingesetzt werden.

9.0 Wartung



Die Maschine vor dem Ausführen von Wartungsarbeiten stets von der Stromversorgung trennen. Andernfalls besteht die Gefahr von schweren Verletzungen.

9.1 Allgemeine Wartung

Die Schleifmaschine nach jeder Verwendung reinigen.

Jegliche Staubrückstände im Schrank und im bzw. um den Spindelbereich absaugen.

Regelmäßig eine dünne Schicht Pastenwachs oder ein anderes Schutzmittel auf die Tischoberfläche auftragen, um Rostbildung zu verhindern.

Alle Lager sind dauergeschmiert und versiegelt. Es ist keine zusätzliche Schmierung erforderlich.

9.2 Getriebeschmierung

Den Ölstand regelmäßig am Sichtglas (D, Abbildung 15) prüfen – der Füllstand sollte ca. in der Mitte des Sichtglases liegen.

Qualitativ hochwertiges Getriebeöl SAE 90 verwenden. Nach je 800 Betriebsstunden muss ein vollständiger Ölwechsel vorgenommen werden. Das Ölfassungsvermögen beträgt 1,6 Liter.

Zum Ablassen und Neubefüllen des Getriebes:

1. Die Zubehörteile aus dem Schrank entfernen, um Zugang zur Ablassschraube zu erhalten.
2. Die Ablassschraube (E, Abbildung 15) mit einem 14-mm-Schraubenschlüssel entfernen. Das Öl ordnungsgemäß entsorgen. Die Ablassschraube wieder anbringen.
3. Die hintere Abdeckung öffnen und den Bereich um den Öldeckel säubern. Den Öldeckel (F, Abbildung 16) von d abschrauben und die Feder entfernen.
4. Den Behälter auffüllen, bis sich der Ölstand in der Mitte des Sichtglases (D) befindet.
5. Feder und Öldeckel wieder anbringen.

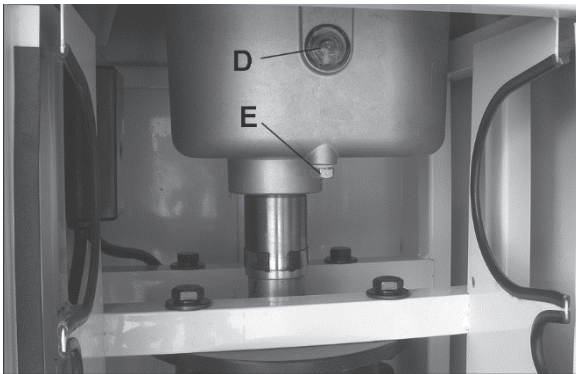


Abbildung 15

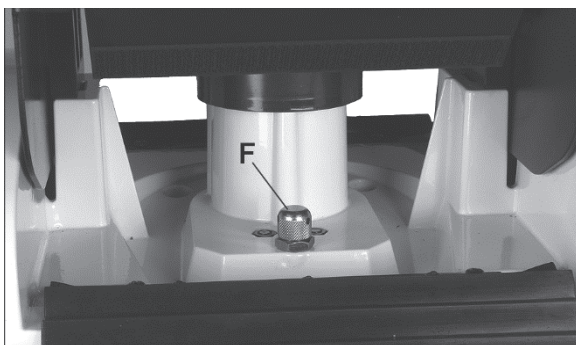


Abbildung 16

10.0 Fehlersuche Schleifmaschine JOSS-S

Symptom	Mögliche Ursache	Gegenmaßnahme
Schleifmaschine startet nicht.	Schleifmaschine von Steckdose oder Generator getrennt.	Alle Steckeranschlüsse prüfen.
	Sicherung durchgebrannt oder Trennschalter im Anschlusskasten ausgelöst.	Sicherung ersetzen oder Trennschalter rückstellen.
	Kabel beschädigt.	Kabel ersetzen.
	Anlasskondensator defekt.	Anlasskondensator ersetzen.
Drehzahl der Schleiftrommel zu niedrig.	Verlängerungskabel zu dünn oder zu lang.	Durch Kabel von geeigneter Stärke und Länge ersetzen.
	Spannung zu niedrig.	Einen qualifizierten Elektriker verständigen.
Maschine vibriert zu stark.	Fuß bzw. Sockel auf unebenem Untergrund.	Fuß bzw. Sockel so einstellen, dass er eben auf dem Untergrund steht.
	Lager verschlissen.	Lager auswechseln.
Geschliffene Kante nicht rechtwinklig.	Tisch nicht rechtwinklig zur Schleiftrommel.	Winkelmaß verwenden, um den Tisch zur Schleiftrommel auszurichten.
Schleifspuren auf dem Holz.	Schleifhülse mit falscher Körnung.	Für den Materialabtrag eine gröbere Körnung und für das Schlichten eine feinere Körnung verwenden.
	Vorschubdruck zu hoch.	Das Werkstück nicht mit Gewalt gegen Spindel oder Trommel drücken.

Tabelle 3

11.0 Verfügbares Zubehör

Siehe TOOL FRANCE-Preisliste für verschiedene Schleifhülsen.

12.0 Umweltschutz

Schützen Sie die Umwelt!

Ihr Gerät enthält mehrere unterschiedliche, wiederverwertbare Werkstoffe. Bitte entsorgen Sie es nur an einer spezialisierten Entsorgungsstelle.



Dieses Symbol verweist auf die getrennte Sammlung von Elektro- und Elektronikgeräten, gemäß Forderung der WEEE-Richtlinie (2012/19/EU). Diese Richtlinie ist nur innerhalb der Europäischen Union wirksam.

FR - FRANÇAIS

INSTRUCTIONS DE FONCTIONNEMENT

Cher client,

Nous vous remercions pour la confiance que vous nous avez témoignée en achetant votre nouvelle machine TOOL FRANCE. Ce manuel a été préparé pour le propriétaire et les opérateurs de la perceuse à broche oscillante TOOL FRANCE JOSS-S pour promouvoir la sécurité lors des procédures d'installation, de fonctionnement et de maintenance. Veuillez lire et comprendre les informations contenues dans ces instructions de fonctionnement et les documents les accompagnant. Lisez attentivement ce manuel et suivez soigneusement les instructions pour obtenir la durée de vie et l'efficacité maximales de votre machine et pour l'utiliser en toute sécurité.

1. Déclaration de conformité

Par le présent et sous notre responsabilité exclusive, nous déclarons que ce produit satisfait aux normes conformément aux lignes directrices indiquées page 2.

2. Garantie

TOOL FRANCE garantit que le/les produit(s) fourni(s) est/sont exempt(s) de défauts matériels et de défauts de fabrication.

Cette garantie ne couvre pas les défauts, dommages et défaillances causés, directement ou indirectement, par l'utilisation incorrecte ou inadéquate, la négligence, les dommages accidentels, la réparation, la maintenance ou le nettoyage incorrects et l'usure normale.

Vous pouvez trouver de plus amples détails sur la garantie dans les conditions générales (CG).

Les CG peuvent être envoyées sur demande par poste ou par e-mail.

TOOL FRANCE se réserve le droit d'effectuer des changements sur le produit et les accessoires à tout moment.

3. Sécurité

3.1 Usage autorisé

Cette ponceuse à broche est conçue pour poncer du bois et matériaux similaires uniquement. Le ponçage d'autres matériaux est interdit et ne peut être réalisé que dans des cas très spécifiques, uniquement après concertation avec le fabricant.

La machine n'est pas adaptée au ponçage humide. Le bon usage implique la conformité aux instructions de fonctionnement et de maintenance fournies dans ce manuel.

La machine ne doit être mise en marche que par des personnes familiarisées à son fonctionnement et son entretien et qui en connaissent également les risques. L'âge minimal nécessaire doit être respecté.

La machine ne doit être utilisée que dans un parfait état de fonctionnement.

Lors du fonctionnement de la machine, tous les mécanismes de sécurité et couvercles doivent être montés.

Vous devez vous conformer aux règles techniques concernant le fonctionnement des machines à bois en plus des exigences de sécurité comprises dans ces instructions de fonctionnement et des réglementations applicables à votre pays.

Toute autre utilisation est strictement interdite.

En cas d'usage non autorisé, le fabricant renonce à toute responsabilité qui est transférée à l'opérateur.

3.2 Consignes de sécurité générales

Les machines à bois peuvent être dangereuses si elles ne sont pas utilisées correctement. Par conséquent, les règles techniques générales ainsi que les consignes suivantes doivent être observées.



Lisez attentivement et comprenez tout le manuel d'instructions avant l'installation ou le fonctionnement.



Gardez les instructions de fonctionnement à proximité de la machine, à l'abri de la poussière et de l'humidité, et transmettez-les au nouveau propriétaire si vous vous séparez de l'outil.

Aucun changement ne doit être effectué sur la machine.

Contrôlez quotidiennement la fonction et l'existence des dispositifs de sécurité avant de démarrer la machine. Ne faites pas fonctionner dans le cas contraire ; protégez la machine en débranchant le câble principal.

Enlevez tout vêtement ample et attachez les cheveux longs.

Avant de faire fonctionner la machine, retirez les cravates, les bagues, les montres et autres bijoux et retrousser les manches jusqu'au-dessus des coudes.

Portez des chaussures de sécurité ; ne portez jamais de sandales ou de chaussures de ville.

Portez toujours un équipement de travail conforme.

- des lunettes protectrices,
- une protection acoustique
- une masque anti poussières.



Ne portez pas de gants.

Installez la machine de telle sorte qu'il y ait suffisamment d'espace pour la manipulation de la pièce et un fonctionnement sûrs.

Maintenez la zone de travail bien éclairée.

La machine est conçue pour fonctionner dans des espaces clos et doit être placée sur une surface de table ferme et aplanie.

Assurez-vous que le cordon d'alimentation n'entrave pas le travail et ne cause pas de glissades.

Maintenez le sol autour de la machine propre et exempt de rebut, d'huile et de graisse.

Restez sur le qui-vive !

Concentrez-vous sur votre travail. Faites preuve de bon sens. Ne faites pas fonctionner la machine lorsque vous êtes fatigué.

Ne faites pas fonctionner la machine sous l'emprise de drogues, d'alcool ou de tout médicament. Soyez conscient que les médicaments modifient votre comportement.

Ne touchez jamais la machine pendant son fonctionnement ou son arrêt.



Ne laissez jamais la machine fonctionner sans surveillance. Avant de quitter l'espace de travail, désactivez la machine.

Gardez les visiteurs et les enfants à une distance sécuritaire de la zone de travail.

Ne faites pas fonctionner l'outil électrique à proximité de gaz ou de liquides inflammables.

Renseignez-vous sur les options d'alerte et de lutte d'incendie, par exemple l'emplacement et le fonctionnement de l'extincteur d'incendie.

N'utilisez pas la machine dans une décharge et ne l'exposez pas à la pluie.

La poussière de bois est un matériau explosif et peut présenter un risque pour votre santé.

La poussière de certains bois tropicaux en particulier et de bois durs comme le chêne et le hêtre est classée comme substance cancérigène.

Utilisez toujours un dispositif d'extraction de poussière adapté

Avant l'usinage, retirez les clous et autres corps étrangers de la pièce.

Ne faites jamais fonctionner sans la table correctement insérée.

Assurez-vous de guider et maintenir la pièce serrée pendant l'usinage.

N'usinez que des morceaux maintenus en toute sécurité sur la table.

Les spécifications concernant la taille maximale ou minimale de la pièce doivent être respectées.

Ne retirez pas les copeaux et les éléments de pièce tant que la machine n'est pas mise à l'arrêt.

Ne vous tenez pas sur la machine.

Les travaux de réparation et de connexion sur l'installation électrique doivent être uniquement effectués par un électricien qualifié.



Remplacez immédiatement un cordon d'alimentation usé ou endommagé.

Remplacez immédiatement la courroie de ponceuse lorsqu'elle est usée ou déchirée.

Réalisez tous les réglages de la machine ou la maintenance avec la machine débranchée de la source d'alimentation.



3.3 Autres dangers

D'autres dangers subsistent lors de l'utilisation de la machine conformément aux réglementations.

Le manchon de ponçage en mouvement peut provoquer des blessures.

Risques de rebonds. La pièce est serrée par le manchon de ponçage en mouvement et est renvoyée vers l'opérateur.

Des pièces projetées peuvent causer des blessures.

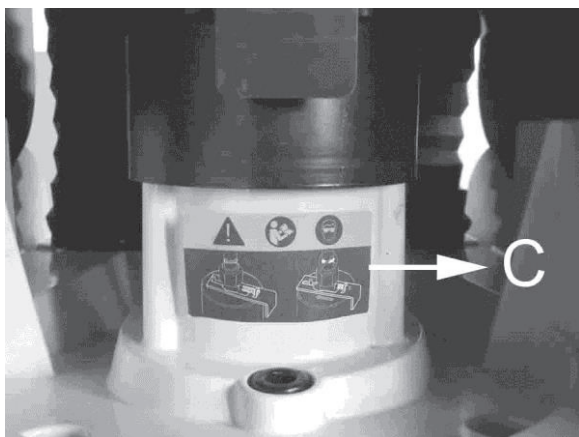
Le bruit et la poussière du ponçage peuvent altérer la santé. Portez un équipement de protection individuel comme des lunettes de protection et un masque anti-poussière. Utilisez un système d'aspiration des poussières adapté.

Des disques de ponçage défectueux peuvent provoquer des blessures.

L'utilisation d'une source d'alimentation incorrecte ou d'un cordon d'alimentation endommagé peut provoquer des blessures par choc électrique.

3.4 Etiquettes et positions

- A: Avertissement de sécurité
- B: Direction de rotation de la broche
- C: Verrouillage de la broche entièrement dégagé avant fonctionnement
- D: Choc électrique
- E : étiquette ID / étiquette CE



4. Spécifications de la machine

4.1 Données techniques

Dimensions de la table (L x l)	623 x 623 mm
Inclinaison de la table	45° avant, 15° arrière
Vitesse de la broche	1400 tr/min
Oscillations	60/min
Course d'oscillation	38 mm
Longueur du manchon de ponçage	150-23
Hauteur max. de la pièce	80-160
Diamètre du port de poussière aspiration à 20 m/sec	100 mm
Total (L x l x H)	560 m3/h
Hauteur de la table	623 x 623 x 995 mm
Poids net	995 mm
Secteur électrique	98 kg
Puissance de sortie	1~230V, PE, 50Hz
Courant de référence	0,75 kW (ICV) S1
Rallonge électrique (H07RN-F):	5,5 A
Installation de protection du disjoncteur	3 x 1,5 ²
	10 A

4.2 Emissions sonores

Valeur d'émissions déclarée conformément à EN ISO 4871 :

A-Niveau de pression sonore estimé (LpA)	72,9 dB
Incertitude	3 dB
A-Niveau de puissance sonore estimé (LWA)	86,1 dB

Les valeurs spécifiées sont des niveaux d'émission et ne doivent pas nécessairement être vues comme des niveaux de fonctionnement de sécurité.

Comme les conditions de l'environnement de travail varient, cette information permet à l'utilisateur d'avoir une meilleure estimation des risques et des dangers que cela implique.

4.3 Contenu de la livraison

La plupart des éléments ci-dessous se trouvent sur ou à l'intérieur de l'armoire de la ponceuse. Certains éléments sont livrés dans une petite boîte livrée avec la machine. Une insertion de table est installée sur la table.

Voir la Figure 1.

- 1 ponceuse à broche (non indiquée)
- 6 insertions de table :
 - Tambour en caoutchouc pour 4" (100 mm) (à 90°) – A
 - Tambour en caoutchouc pour 2" (50 mm) (à 90°) – B
 - pour broche 1/4"(6mm) et 3/8" (9 mm) (à 90°) – C
 - pour broche 1/4" (6 mm) - 3/4" (19 mm) (inclinaison) – D
 - Tambour en caoutchouc pour 1" (25 mm), 1-1/2" (38 mm), 2" (50 mm) (inclinaison) – E
 - Tambour en caoutchouc pour 3" (75 mm) et 4" (100 mm) (inclinaison) – F
- 1 Tambour en caoutchouc avec manchon 4" (100 mm) – G
- 1 Tambour en caoutchouc avec manchon 3" (75 mm) – H
- 1 Tambour en caoutchouc avec manchon 2" (50 mm) – J
- 1 Tambour en caoutchouc avec manchon 1-1/2" (38 mm)
- 1 Tambour en caoutchouc avec manchon 1" (25 mm) – L
- 1 pour le manchon 3/4" (19 mm) – M
- 1 pour la broche 3/4" (19 mm) – N
- 1 pour la broche avec manchon 5/8" (16 mm) – O
- 1 pour la broche avec manchon 1/2" (12 mm) – P
- 1 pour la broche avec manchon 3/8" (9 mm) – R
- 1 pour la broche avec manchon 1/4" (6 mm) – S
- 1 écrou hexagonal de la broche – T
- 1 Clé mixte (avec bande magnétique) – U
- 1 Clé hexagonale 3mm et bande magnétique – V
- 1 manuel de fonctionnement
- 1 liste de pièces de rechange.

Remarque : Tous les manchons de ponçage fournis possèdent le grain 100. Des grains supplémentaires sont disponibles - voir la défaillance des pièces.

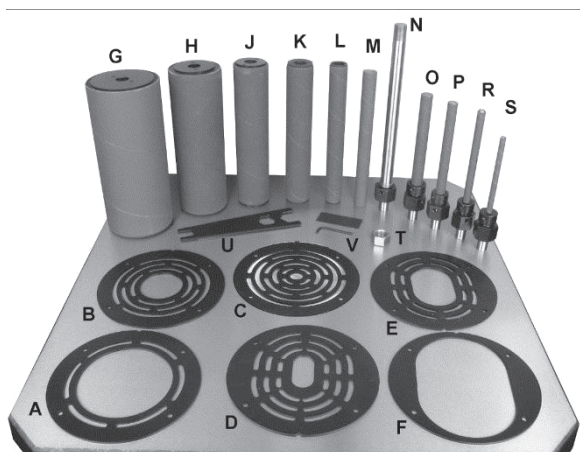


Figure 1

5. Réglage et montage

L'unité de ponçage principale ne nécessite pas de montage. Le réglage implique uniquement le retrait de la ponceuse de la palette et l'installation de l'insertion souhaitée sur la table ainsi que la combinaison broche/manchon.

5.1 Transport et installation

La machine est conçue pour fonctionner dans des espaces clos et doit être placée sur une surface ferme et aplanie.

5.2 Outils supplémentaires nécessaires

- Visseuse à cliquet avec jeu de douilles (ou clé réglable)
- Tournevis cruciforme (Phillips)
- Equerre
- Règle droite

5.3 Déballage et nettoyage

Contrôlez tous les contenus du carton d'expédition, y compris les pièces comprises dans l'armoire (accessible via la porte latérale). Faites part de tout endommagement ou pièce manquante à votre distributeur.

Les surfaces métalliques exposées, comme la surface de la table, sont revêtues d'une couche de protection à l'usine. Elle doit être retirée avec un chiffon doux imbibé de solvant, comme du white-spirit. N'utilisez pas de solvants avec des points d'éclair bas, n'appliquez pas de solvants sur les pièces en caoutchouc ou en plastique.

N'utilisez pas de tampon abrasif car cela pourrait rayer les surfaces exposées.

Appliquez périodiquement une fine couche de cire en pâte ou tout autre protecteur sur la table pour éviter la corrosion.

5.4 Retrait de la palette

Pour retirer la ponceuse de la palette :

1. Ouvrez la porte de l'armoire et retirez les accessoires.
2. Utilisez une visseuse à cliquet avec une douille d'extension pour dévisser les deux boulons sécurisant la machine sur la palette (Figure 2).
3. Retirez la ponceuse de la palette avec une personne vous assistant.

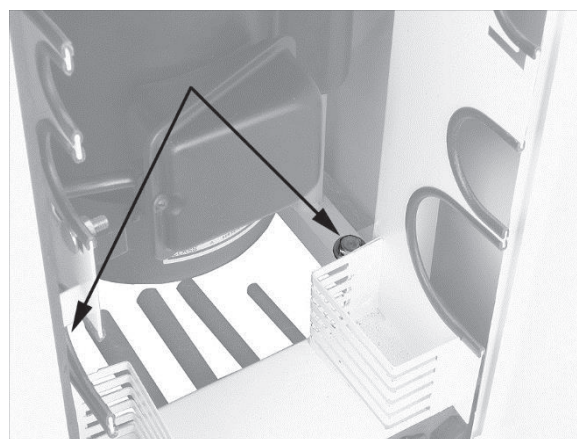


Figure 2

5.5 Stockage de la broche et du tambour

Gardez les tambours, les broches et les insertions de table à l'abri en les stockant dans l'armoire (Figure 3).

Pour ouvrir la porte, levez l'extrémité de la poignée et tournez de 90 degrés dans le sens inverse horaire (Figure 4). Effectuez la procédure inverse pour fermer la porte de l'armoire.

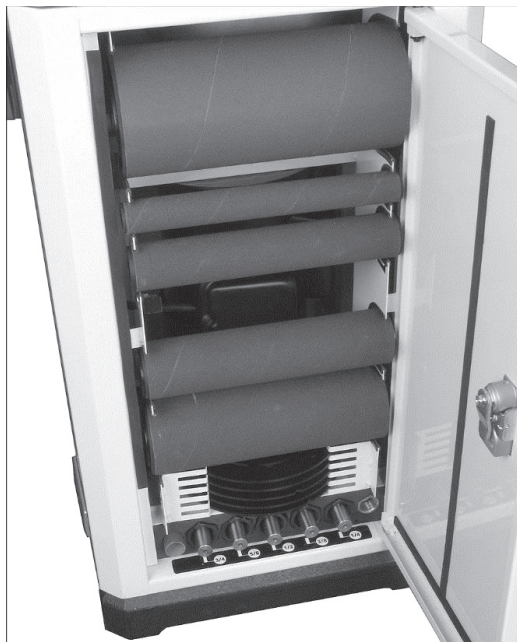


Figure 3 : stockage de l'armoire

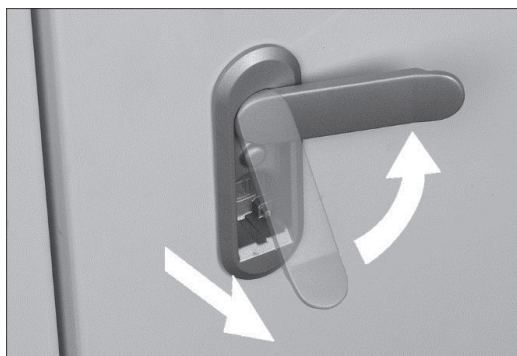


Figure 4 : poignée de la porte

5.6 Installation/retrait des broches



Débranchez la ponceuse de sa source d'alimentation lors de l'installation ou du retrait des éléments de ponceuse. Cela pourrait causer de graves blessures.

Ouvrez la protection avant (voir sect. 8.1 Protections en caoutchouc).

Nettoyez attentivement la zone conique (A, Figure 5) sur tous les éléments de la broche avant l'installation.

Nettoyez également l'arbre d'accouplement sur la ponceuse.

Retirez l'insertion de table, si installée.

La table peut être inclinée de 15° vers l'arrière pour améliorer son accès (voir sect. 8.2)

5.6.1 Broches à petit manchon

Voir la Figure 5.

1. Glissez complètement le manchon de ponçage (B) dans la broche en vous assurant qu'il glisse dans le collier (C).
2. Serrez la vis du collier (C) avec une clé hexagonale de 3 mm. Ne serrez pas trop.
3. Tirez sur le manchon pour vérifier sa bonne fixation.
4. Positionnez le cône de la broche (A) sur l'arbre principal et maintenez.
5. Tournez l'écrou (D) à la main dans le sens horaire, comme ci-dessus. Continuez à tourner l'écrou jusqu'à ce que la broche soit placée correctement (arrêt de la rotation avec l'écrou), puis continuez à tourner l'écrou à la main.
6. Appuyez et maintenez le verrouillage de la broche (E). Remarque : tournez la broche pour garantir son engagement correct.
7. Utilisez la clé mixte fournie pour serrer l'écrou un peu plus. Ne serrez pas trop.
8. Libérez le verrouillage de la broche. Assurez-vous du retrait en faisant légèrement tourner la broche.



Assurez-vous du déverrouillage complet de la broche avant de brancher la ponceuse ; dans le cas contraire, cela pourrait endommager le moteur.

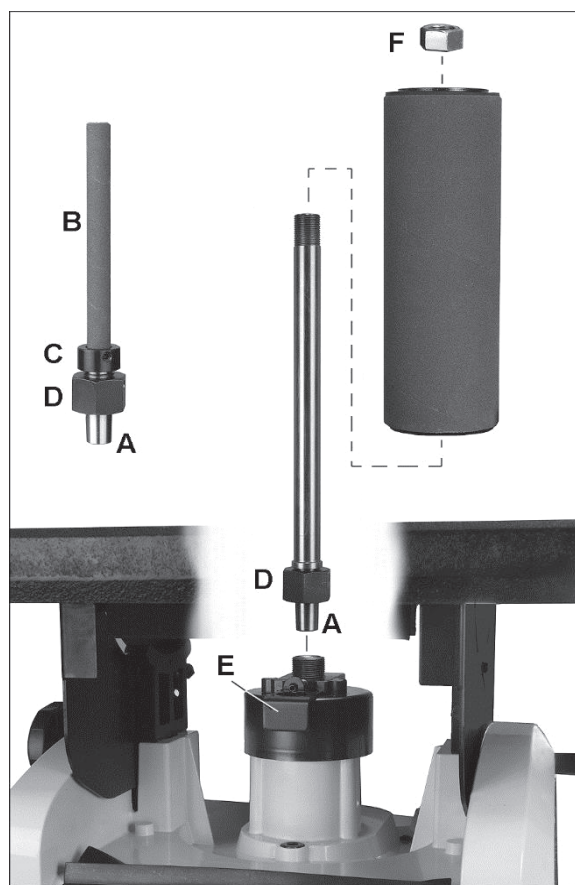


Figure 5 : montage du tambour et de la broche

5.6.2 Tambours en caoutchouc

Voir la Figure 5.

1. Positionnez le cône de la broche (A) sur l'arbre principal et maintenez.
2. Tournez l'écrou (D) à la main dans le sens horaire, comme ci-dessus. Tournez l'écrou jusqu'à ce que la broche soit placée correctement (arrêt de la rotation avec l'écrou), puis continuez à tourner l'écrou jusqu'à son serrage.
3. Poussez et maintenez le verrouillage de la broche (E). Remarque : tournez la broche pour garantir son engagement correct.
4. Utilisez la clé mixte fournie pour serrer l'écrou un peu plus. Ne serrez pas trop.
5. Glissez complètement le manchon de ponçage dans le tambour jusqu'à ce que le coin inférieur soit égal avec le tambour.
6. Glissez complètement le tambour/manchon vers le bas dans la broche.
7. Poussez et maintenez le verrouillage de la broche (E).
8. Installez l'écrou hexagonal (F) dans les filetages de la broche et serrez dans le sens horaire (comme ci-dessus) avec la clé mixte fournie.
9. Tirez sur le manchon pour vérifier sa bonne fixation. En cas de glissement, serrez un peu plus l'écrou (F). Ne serrez pas trop.
10. Libérez le verrouillage de la broche (E). Assurez-vous du retrait en faisant légèrement tourner la broche.

ATTENTION

Assurez-vous du déverrouillage complet de la broche avant de brancher la ponceuse ; dans le cas contraire, cela pourrait endommager le moteur.

Pour retirer une broche, effectuez la procédure ci-dessus dans le sens inverse.

5.7 Installation de l'insertion de table

Outils requis:

- Tournevis cruciforme
- Règle droite

ATTENTION

Si vous n'utilisez pas l'insertion de table correcte avec le tambour/la broche correspondante, vous risquez de graves blessures et/ou un endommagement de la pièce.

Les insertions de table sont rondes ou oblongues. Le tableau 1 répertorie la fonction de chacune.







Insertion	Utilisée avec une broche (diamètre)	Angle de la table
	3" et 4"	0 deg.
	1/2", 5/8", 3/4", 1", 1-1/2", 2"	0 deg.
	1/4" et 3/8"	0 deg.
	1/4", 3/8", 1/22, 5/8" et 3/4"	Jusqu'à 45 deg.
	1", 1-1/2", 2"	Jusqu'à 45 deg.
	3" et 4"	Jusqu'à 45 deg.

Tableau 1 : Identification des insertions de table

1. Positionnez l'insertion sur la table afin que l'encoche soit attrapée par la goupille (A, Figure 6).
2. Placez une règle droite au-dessus de l'insertion et de la table. En cas de jeu entre la règle droite et l'insertion, tournez la/les vis pour lever ou abaisser l'insertion. Repositionnez la règle droite sur le bon angle pour vérifier le niveau dans les directions.

Remarque : la mise à niveau d'une insertion est insuffisante car toutes les insertions possèdent la même épaisseur.

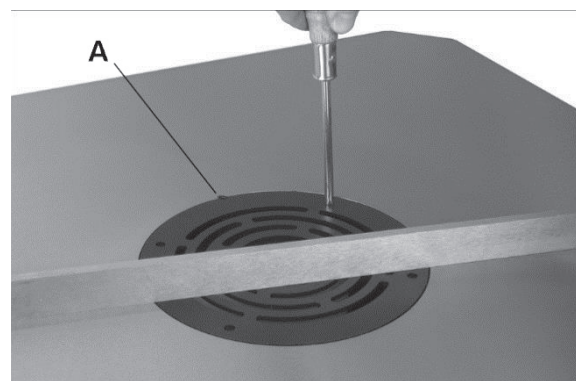


Figure 6 : montage de l'insertion de la table

5.8 Stockage de la clé

La clé mixte fournie a une bande magnétique et peut être placée contre n'importe quelle surface métallique. Exposez l'adhésif sur la bande magnétique supplémentaire et appliquez sur la surface de l'armoire. La clé hexagonale peut être stockée dessus.

5.9 Collecte des poussières

Une ponceuse produit un grand volume de poussière de bois ; nous vous recommandons fortement l'utilisation d'un système de collecte des poussières.

Cela aidera à maintenir l'atelier propre et à réduire les risques sanitaires potentiels liés à l'inhalation des poussières de bois. Le collecteur doit posséder une capacité suffisante pour la taille de la machine ; nous vous recommandons un rapport de débit minimal de 20m/sec.

TOOL FRANCE possède une gamme de systèmes de collecte des poussières ; consultez votre distributeur ou consultez notre site web indiqué sur le couvercle.

Branchez le flexible de votre système de collecte de poussière sur le port de poussière 100 mm (Figure 7) à l'arrière de la ponceuse. Sécurisez fermement à l'aide d'une attache de flexible.

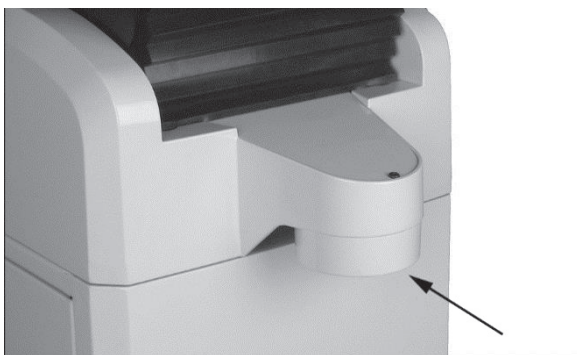


Figure 7

6.0 Connexion au secteur électrique

La connexion principale et les rallonges électrique utilisées doivent être conformes aux réglementations applicables.

La tension du secteur électrique doit être conforme aux informations apposées sur la plaque d'immatriculation de la machine.

La connexion du secteur électrique doit posséder un fusible de protection contre la surtension 10 A.

Utilisez uniquement des cordons d'alimentation possédant le marquage H07RN-F

Les connexions et réparations de l'équipement électrique ne doivent être réalisées que par des techniciens qualifiés.

7.0 Réglages



Débranchez la ponceuse de sa source d'alimentation avant de réaliser les réglages.

7.1 Protections en caoutchouc

Voir les Figures 9 et 10.

Les protections en caoutchouc avant et arrière doivent être raccordées à la partie supérieure avec des fixations en scratch. Décollez la partie supérieure de la protection pour accéder à la zone de la broche (Figure 9).

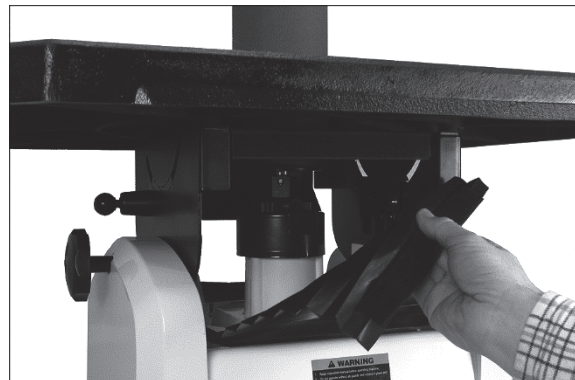


Figure 9 : protection avant

IMPORTANT : avant d'incliner la table au maximum vers l'avant, déplacez la partie supérieure de la protection de la position supérieure (A) à la position inférieure (B).

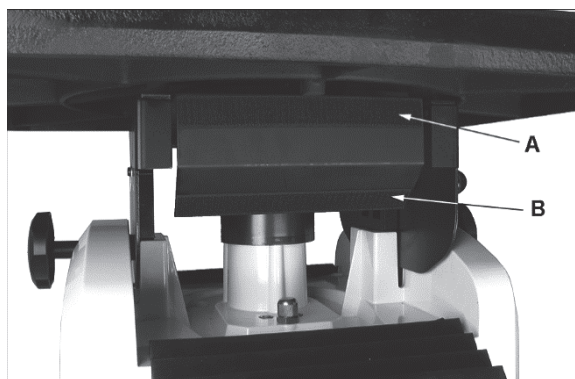


Figure 10 : protection arrière

7.2 Inclinaison de la table pour ponceuse conique

Voir les Figures 11 et 12.

1. Desserrez les deux boutons (A, Figure 11) dans le sens inverse horaire.
Pour incliner vers l'avant (45 degrés maximum) :
2. Déplacez la table à la main à l'angle souhaité indiqué sur l'échelle (B). L'échelle possède des marquages avec des incréments de 5 degrés.
3. Resserrez les boutons (A).
Pour incliner vers l'arrière (15 degrés maximum) :
4. Retirez la goupille (C) et tournez de 90 degrés pour maintenir le désengagement.
5. Inclinez la table dans la position souhaitée et serrez les boutons (A).

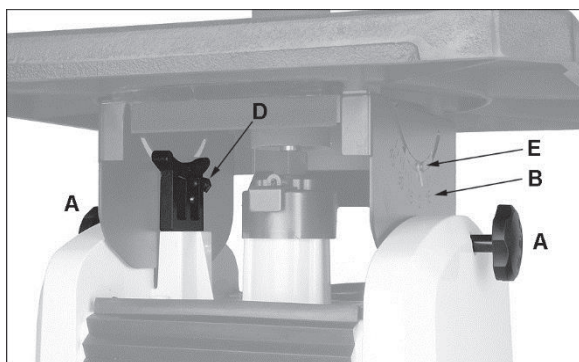


Figure 11 : inclinaison de la table

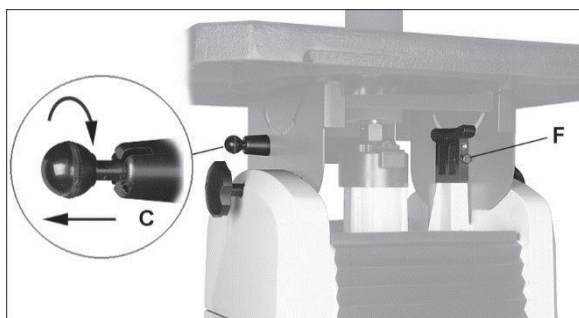


Figure 12 : inclinaison de la table

7.2.1 Réglage des arrêts à 90 et 45 degrés

Outils requis:

Équerre

Clé de 13 mm

Voir les Figures 11 à 13.

1. Assurez-vous que l'insertion de table a été mise à niveau avec la table (sect. 6.7).
2. Assurez-vous que la goupille (C) est de nouveau engagée pour entrer en contact avec la vis d'arrêt. Positionnez la table à zéro (90 degrés) contre la vis d'arrêt (D).
3. Placez l'équerre sur la table et contre la partie avant du tambour ou de la broche (Figure 13).
4. Tournez la vis (D) jusqu'à ce que l'équerre soit placée contre la table et la broche/le tambour.
5. Si nécessaire, desserrez l'aiguille (E) et alignez avec le marquage à zéro degré.
6. Inclinez la table de 45 degrés et contrôlez la précision de la vis d'arrêt à 45 degrés (F). Réglez si nécessaire.

Remarque : La procédure ci-dessus est suffisante pour la plupart des opérations de ponçage du bois. Si un angle de précision plus grand est requis, retirez l'insertion et utilisez un encastrement rectangulaire contre une broche nue et la surface de la table pour régler un arrêt de 90 degrés.

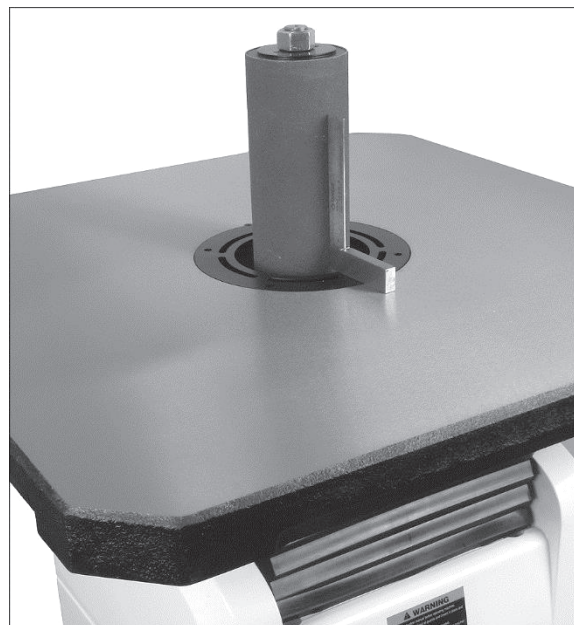


Figure 13 : réglage de l'arrêt d'inclinaison

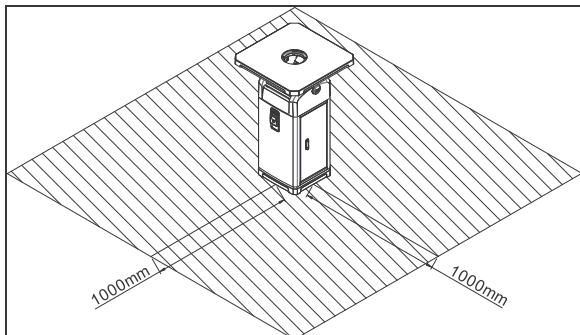
8.0 Fonctionnements

8.1 Directives de fonctionnement

1. Sélectionnez une broche légèrement plus petite que la courbe à poncer.
2. Assurez-vous que la broche est correctement sécurisée sur l'arbre principal.
3. Utilisez l'insertion de table possédant la plus petite ouverture possible sans contact avec le manchon de ponçage.
4. Desserrez les poignées de la table et positionnez la table à l'angle souhaité. Serrez les deux poignées de la table avant le fonctionnement.
5. Activez la ponceuse et laissez-la fonctionner à plein régime avant de commencer le travail.
6. Maintenez en permanence la pièce fermement et contre la table.
7. Pour de meilleurs résultats, gardez la pièce en déplacement contre la broche.
8. Lorsque la table est à zéro (90 degrés), la pièce peut s'approcher du manchon de ponçage depuis n'importe quelle partie de la table. Lorsque la table est inclinée, utilisez la zone de la table à l'avant de la broche.
9. La durée de vie du manchon de ponçage peut être prolongée en l'inversant sur la broche pour utiliser l'extrémité opposée.

8.2 Zone de travail

Assurez-vous que la zone de travail est suffisante et apte au fonctionnement. La zone minimale recommandée est indiquée dans la figure ci-dessous.



ATTENTION

Gardez les mains hors de portée du manchon de ponçage et de l'orifice d'insertion de la table pendant le fonctionnement.

8.3 Interrupteur de sécurité

Voir la Figure 14.

Pour démarrer la ponceuse, appuyez sur le bouton vert (A).

Pour arrêter la ponceuse, appuyez sur le bouton rouge (B).

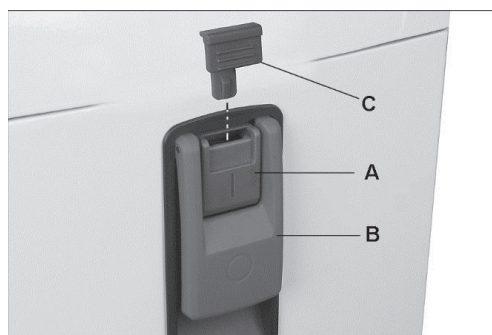


Figure 14

8.4 Touche de sécurité

L'interrupteur possède une fonction de sécurité évitant un démarrage accidentel et non autorisé de la ponceuse.

Avec la ponceuse désactivée, faites glisser la touche de sécurité (C, Figure 14) vers le haut et retirez du commutateur. Stockez dans un endroit sûr. Cette pièce doit de nouveau être insérée avant le fonctionnement de la ponceuse.

9.0 Maintenance

ATTENTION

Coupez toujours d'alimentation de la machine avant la maintenance. Dans le cas contraire, cela pourrait provoquer de graves blessures.

9.1 Maintenance générale

Nettoyez la ponceuse après chaque utilisation. Aspirez tous les résidus de poussière à l'intérieur de l'armoire et autour de la broche.

Appliquez périodiquement une fine couche de cire en pâte ou tout autre protecteur sur la surface de la table pour éviter la corrosion.

Tous les paliers doivent être lubrifiés et hermétiques ; aucune autre lubrification n'est nécessaire.

9.2 Lubrification de la boîte de vitesses

Contrôlez périodiquement le niveau d'huile via le verre-regard (D, Figure 15) – l'huile doit se trouver à mi-niveau du regard.

Utilisez une huile SAE 90 de bonne qualité.

Purgez complètement et remplissez toutes les 800 heures d'utilisation. La capacité de l'huile est de 1,6 litre.

Pour purger et remplir la boîte de vitesses :

1. Retirez les accessoires de l'armoire interne pour accéder au bouchon de purge.
2. Retirez le bouchon de purge (E, Figure 15) avec la clé de 14 mm. Mettez l'huile usagée au rebut conformément aux réglementations. Installez de nouveau le bouchon de purge.
3. Ouvrez la protection arrière et nettoyez la zone autour du bouchon d'huile. Dévissez le bouchon d'huile (F, Figure 16) à la main et retirez le ressort.
4. Remplissez le réservoir jusqu'à ce que le niveau d'huile soit au centre du verre-regard (D).
5. Installez de nouveau le ressort et le bouchon d'huile.

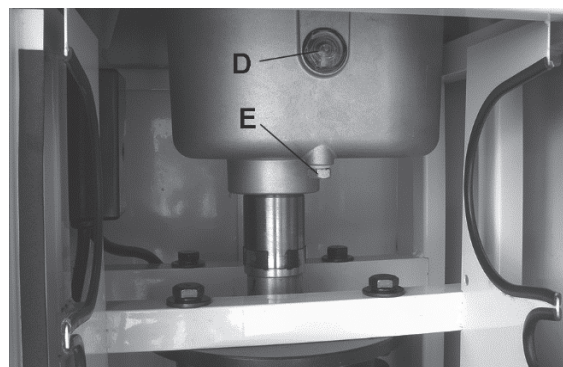


Figure 15

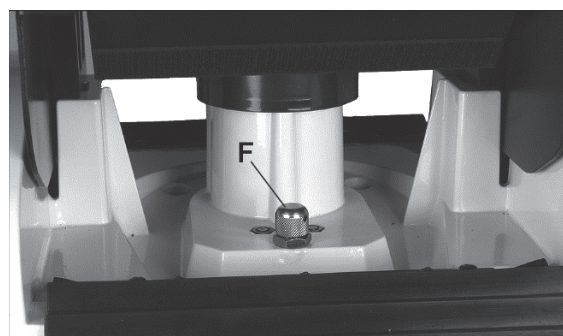


Figure 16

10.0 Dépannage de la ponceuse à broche JOSS-S

Symptôme	Cause possible	Correction
La ponceuse ne démarre pas.	La ponceuse n'est pas raccordée à la paroi ou au moteur.	Contrôlez toutes les connexions de fiche d'alimentation.
	Fusible grillé ou disjoncteur de circuit déclenché sur le pupitre de commande.	Remplacez le fusible ou réinitialisez le disjoncteur de circuit.
	Cordon endommagé.	Remplacez le cordon.
	Mauvais démarrage du condensateur.	Remplacez le condensateur de démarrage.
Le tambour de ponçage ne parvient pas à prendre de la vitesse.	Rallonge électrique trop légère ou trop longue.	Remplacez par une rallonge de longueur et de taille adéquates.
	Courant faible.	Contactez un technicien qualifié.
La machine vibre de manière excessive.	Support ou bas sur une surface irrégulière.	Régalez le support ou la base afin qu'elle repose sur un sol ferme.
	Paliers usés.	Remplacez les paliers.
Bord poncé non rectangulaire.	Table non rectangulaire par rapport au tambour de ponçage.	Utilisez une équerre pour régler la table sur le tambour de ponçage.
Marques de ponçage sur le bois.	Mauvais grain du manchon de ponçage.	Utilisez un grain plus grossier pour le retrait des copeaux et un grain plus fin pour le ponçage de finition.
	Pression d'avance trop grande.	N'appuyez pas la pièce contre la broche ou le tambour.

Tableau 3

11.0 Accessoires disponibles

Reportez-vous à la liste des prix TOOL FRANCE pour les différents manchons abrasifs.

12.0 Protection de l'environnement

Protégez l'environnement !

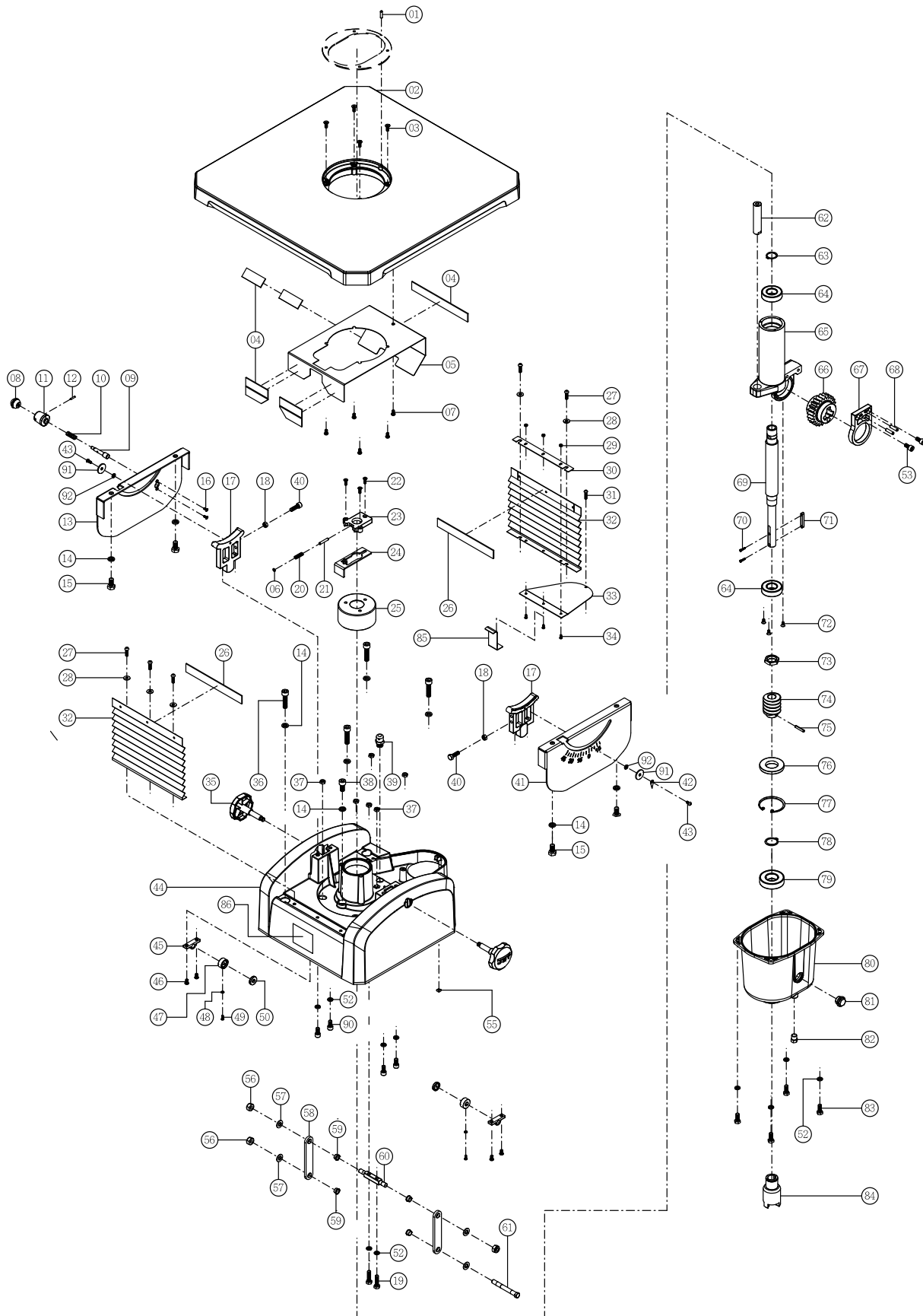
Votre appareil comprend plusieurs matières premières différentes et recyclables. Pour éliminer l'appareil usagé, veuillez l'apporter dans un centre spécialisé de recyclage des appareils électriques.



Ce symbole indique une collecte séparée des équipements électriques et électroniques conformément à la directive DEEE (2012/19/UE). Cette directive n'est efficace que dans l'Union européenne.

EXPLOSION DRAWING / ERSATZTEILZEICHNUNG / VUE ÉCLATÉE

JOSS-S



PART LIST / ERSATZTEILLISTE / LISTE DES PIÈCES DÉTACHÉES

JOSS-S

Index No.	Part No.	Description	Size	Qty
1	SBR30M-62	Spring Pin / Federstift / Goupille à ressort	5*20L	1
2	JOSS-S-102	Table / Tabelle / Tableau		1
3	JOSS-S-103	Phillips Flat Head Screw / Kreuzschlitz-Flachkopfschraube / Vis à tête plate Phillips	M6*1.0P*15L	4
4	JOSS-S-104	Hook-and-Loop Fastener (Male) Set / Satz Klettverschlüsse (männlich) / Jeu d'attaches auto-agrippantes (mâles)		1
5	JOSS-S-105	Rubber Shield Holder / Gummi-Schildhalterung / Support de bouclier en caoutchouc		1
6	TS-1550031	Flat Washer / Unterlegscheibe / Rondelle plate	5.5*8*1T	1
7	JOSS-S-107	Phillips Round Head Screw / Kreuzschlitzschraube mit rundem Kopf / Vis à tête ronde Phillips	M6*1.0P*10L	5
8	JOSS-S-108	Knob / Knopf / Bouton		1
9	JOSS-S-109	Stop Pin / Anschlagstift / Goupille d'arrêt		1
10	JOSS-S-110	Compression Spring / Druckfeder / Ressort de compression		1
11	JOSS-S-111	Stop Pin Housing / Anschlagstiftgehäuse / Logement de la goupille d'arrêt		1
12	40345	Spring Pin / Federstift / Goupille à ressort	3*16L	1
13	JOSS-S-113	Left Table Trunnion / Linker Tischzapfen / Tourillon gauche de la table		1
14	TS-2361101	Lock Washer / Sicherungsscheibe / Rondelle de blocage	M10	9
15	TS-1491021	Hex Cap Screw / Sechskantschraube / Vis à tête hexagonale	M10*1.5P*20L	4
16	TS-1512011	Socket Head Flat Screw / Flachkopfschraube mit Innensechskant / Vis plate à tête creuse	M4*0.7P*10L	2
17	JOSS-S-117	Guide Block / Führungsblock / Bloc de guidage		2
18	TS-1540061	Hex Nu / Hex Nu / Hex Nu	M8*1.25P	2
19	TS-1490051	Hex Cap Screw / Sechskantschraube / Vis à tête hexagonale	M8*1.25P*30L	2
20	JOSS-S-120	Compression Spring / Druckfeder / Ressort de compression		1
21	OVS10-050	Spring Pin / Federstecker / Goupille à ressort	6*30	1
22	JOSS-S-122	Phillips Flat Head Screw / Kreuzschlitz-Flachkopfschraube / Vis à tête plate Phillips	M5*0.8P*20L	3
23	JOSS-S-123	Spindle Lock Seat / Spindelschloss Sitz / Siège de verrouillage de la broche		1
24	JOSS-S-124	Spindle Lock / Spindelschloss / Verrouillage de la broche		1
25	JOSS-S-125	Cap / Kappe / Capuchon		1
26	JOSS-S-126	Hook-and-Loop Fastener (Female) / Klettverschluss (weiblich) / Fermeture auto-agrippante (femelle)		2
27	JOSS-S-127	Phillips Round Head Screw / Kreuzschlitzschraube mit rundem Kopf / Vis à tête ronde Phillips	M6*1.0P*20L	5
28	JOSS-S-128	Flat Washer / Unterlegscheibe / Rondelle plate	6.4*16*1.6T	5
29	TS-1540021	Hex Nut / Rondellplatte / Assiette ronde	M4*0.7P	3
30	JOSS-S-130	Rubber Shield Holder / Gummi-Schildhalterung / Support de bouclier en caoutchouc		1
31	JOSS-S-131	Phillips Round Head Screw / Kreuzschlitzschraube mit rundem Kopf / Vis à tête ronde Phillips	M5*0.8P*20L	1
32	JOSS-S-132	Rubber Shield / Gummi-Schild / Bouclier en caoutchouc		2
33	JOSS-S-133	Dust Chute Cover / Staubschachtabdeckung / Couvercle de la goulotte à poussière		1
34	JOSS-S-134	Phillips Round Head Screw / Kreuzschlitzschraube mit rundem Kopf / Vis à tête ronde Phillips	M4*0.7P*8L	3
35	JOSS-S-135	Knob / Knopf / Bouton		2
36	TS-1505061	Socket Head Cap Screw / Zylinderschraube mit Innensechskant / Vis à tête creuse	M10*1.5P*40L	4
37	TS-1540061	Hex Nut / Sechskantmutter / Ecrou hexagonal	M8*1.25P	6

PART LIST / ERSATZTEILLISTE / LISTE DES PIÈCES DÉTACHÉES

JOSS-S

Index No.	Part No.	Description	Size	Qty
38	TS-1505021	Socket Head Cap Screw / Zylinderschraube mit Innensechskant / Vis à tête creuse	M10*1.5P*20L	1
39	JOSS-S-139	Oil Filler Plug / Öleinfüllstopfen / Bouchon de remplissage d'huile		1
40	TS-1504051	Socket Head Cap Screw / Zylinderschraube mit Innensechskant / Vis à tête creuse	M8*1.25P*25L	2
41	JOSS-S-141	Right Table Trunnion / Rechter Tischzapfen / Tourillon droit de la table		1
42	JOSS-S-142	Pointer / Zeiger / Pointeur		1
43	F001208	Phillips Round Head Screw / Kreuzschlitzschraube mit rundem Kopf / Vis à tête ronde Phillips	M5*0.8P*8L	1
44	JOSS-S-144	Quill Housing / Pinole Gehäuse / Logement de la fourchette		1
45	JOSS-S-145	Knob Seat / Knopf Sitz / Siège à bouton		2
46	JOSS-S-146	Self Tapping Screw / Selbstschneidende Schraube / Vis autotaraudeuse	1/4"*5/8"L	4
47	JOSS-S-147A	Collar / Kragen / Collier		2
48	TS-2361041	Lock Washer / Sicherungsscheibe / Rondelle de blocage	M4	2
49	JOSS-S-149	Phillips Round Head Screw / Kreuzschlitzschraube mit rundem Kopf / Vis à tête ronde Phillips	M4*0.7P*10L	2
50	JOSS-S-150A	Rubber Pad / Gummi-Pad / Coussin en caoutchouc		2
52	TS-2361081	Lock Washer / Sicherungsscheibe / Rondelle de blocage	M8	10
53	TS-1504031	Socket Head Cap Screw / Zylinderschraube mit Innensechskant / Vis à tête creuse	M8*1.25P*16L	4
55	JOSS-S-155	Square Nut / Vierkantmutter / Écrou carré	M5*0.8P	1
56	TS-1541041	Nylon Lock Hex Nut / Nylon-Sicherungssechskantmutter / Contre-écrou hexagonal en nylon	M10*1.5P	3
57	TS-1550071	Flat Washer / Unterlegscheibe / Rondelle plate	10*20*2T	4
58	JOSS-S-158	Link / Link / Lien		2
59	JOSS-S-159	Oilite Shaft Bushing / Oilite-Wellenbuchse / Douille d'arbre Oilite		4
60	JOSS-S-160	Link Shaft / Link Welle / Arbre de liaison		1
61	JOSS-S-161	Worm Gear Shaft / Schneckenradwelle / Arbre à vis sans fin		1
62	JOSS-S-162	Guide Bar / Führungsleiste / Barre de guidage		1
63	JOSS-S-163	Retaining Ring / Sicherungsring / Anneau de retenue	STW-25	1
64	BB-6205VV	Ball Bearing / Kugellager / Roulement à billes	6205VV	2
65	JOSS-S-165	Quill / Federkiel / Plume		1
66	JOSS-S-166	Worm Gear / Schneckengetriebe / Engrenage à vis sans fin		1
67	JOSS-S-167	Worm Gear Fitting Bracket / Halterung für Schneckengetriebe / Support de fixation de l'engrenage à vis sans fin		1
68	PM2800-039	Spring Pin / Federstift / Goupille à ressort	6*25L	2
69	JOSS-S-169	Main Shaft / Hauptwelle / Arbre principal		1
70	JOSS-S-170	Socket Head Cap Screw / Zylinderschraube mit Innensechskant / Vis à tête creuse	M3*0.5P*14L	2
71	JOSS-S-171	Key / Schlüssel / Clé		1
72	JOSS-S-172	Phillips Flat Head Screw / Kreuzschlitz-Flachkopfschraube / Vis à tête plate Phillips	M5*0.8P*10L	3
73	JOSS-S-173	Special Nut / Besondere Nuss / Ecrou spécial		1
74	JOSS-S-174	Worm Shaft / Schneckenwelle / Arbre à vis sans fin		1
75	OVS10-050	Spring Pin / Federstift / Goupille à ressort	6*30L	1
76	JOSS-S-176	Oil Seal / Öldichtung / Joint d'huile	30*62*8T	1
77	JOSS-S-177	Retaining Ring / Sicherungsring / Anneau de retenue	RTW-62	1
78	JOSS-S-178	Retaining Ring / Sicherungsring / Anneau de retenue	STW-30	1
79	BB-6206VV	Ball Bearing / Kugellager / Roulement à billes	6206VV	1
80	JOSS-S-180	Oil Tank / Öltank / Réservoir d'huile		1
81	JOSS-S-181	Oil Sight Glass / Ölschauglas / Voyant d'huile		1

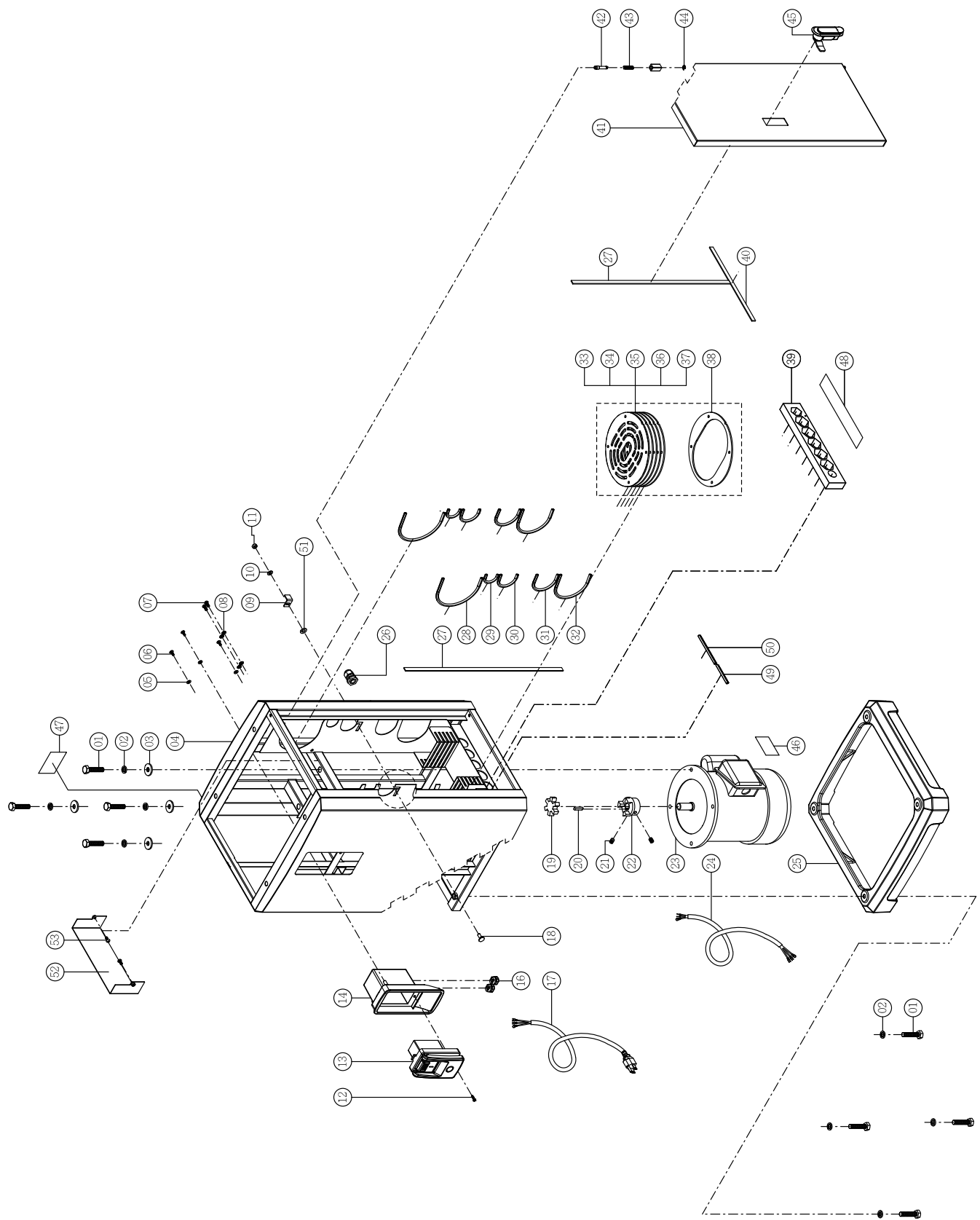
PART LIST / ERSATZTEILLISTE / LISTE DES PIÈCES DÉTACHÉES

JOSS-S

Index No.	Part No.	Description	Size	Qty
82	JOSS-S-182	Oil Drain Plug / Ölablassschraube / Bouchon de vidange d'huile	PT-19, 1/4"	1
83	TS-1490031	Hex Cap Screw / Sechskantschraube / Vis à tête hexagonale	M8*1.25P*20L	4
84	JOSS-S-184	Shaft Coupling / Wellenkupplung / Accouplement d'arbre		1
85	JOSS-S-185	Stop Bracket / Anschlagbügel / Support d'arrêt		1
86	JOSS-S-186E	Warning Label / Warnhinweis / Étiquette d'avertissement		1
87	JOSS-S-187E	Spindle Rotation Direction Label / Etikett für die Drehrichtung der Spindel / Étiquette du sens de rotation de la broche (not shown / nicht gezeigt / non illustré)		1
88	JOSS-S-188E	Spindle Lock Caution Label / Etikett mit Warnhinweisen zur Spindelverriegelung / Étiquette d'avertissement sur le verrouillage de la broche (not shown / nicht gezeigt / non illustré)		1
89	JOSS-S-189E	Electrical Warning Label / Elektrisches Warnschild / Étiquette d'avertissement électrique (not shown / nicht gezeigt / non illustré)		1
90	TS-1504041	Socket Head Cap Screw / Zylinderschraube mit Innensechskant / Vis à tête creuse	M8*1.25P*20L	4
91	TS-1550031	Flat Washer / Unterlegscheibe / Rondelle plate	5.5*22*2T	2
92	TS-1551031	Lock Washer / Sicherungsscheibe / Rondelle de blocage	M5	2

EXPLOSION DRAWING / ERSATZTEILZEICHNUNG / VUE ÉCLATÉE

JOSS-S



PART LIST / ERSATZTEILLISTE / LISTE DES PIÈCES DÉTACHÉES

JOSS-S

Index No.	Part No.	Description	Size	Qty
1	TS-2210451	Hex Cap Screw / Sechskantschraube / Vis à tête hexagonale	M10*1.5P*45L	8
2	TS-2361101	Lock Washer / Sicherungsscheibe / Rondelle de blocage	M10	8
3	5051911	Flat Washer / Unterlegscheibe / Rondelle plate	10*28*3T	4
4	JOSS-S-204	Cabinet / Kabinett / Cabinet		1
5	TS-1550021	Flat Washer / Unterlegscheibe / Rondelle plate	4.3x10x1T	3
6	JOSS-S-206A	Phillips Round Head Tapping Screw / Kreuzschlitz-Schneidschraube mit rundem Kopf / Vis à tête ronde Phillips	M4*15L	3
7	JOSS-S-207A	Phillips Round Head Screw / Kreuzschlitzschraube mit rundem Kopf / Vis à tête ronde Phillips	M5*0.8P*10L	2
8	JOSS-S-208	Star Washer / Star Washer / Rondelle étoilée	M5	4
9	JOSS-S-209	Door Catch / Türverriegelung / Loquet de porte		1
10	TS-1550041	Flat Washer / Unterlegscheibe / Rondelle plate	6.5*13*1T	1
11	TS-2311061	Hex Nut / Sechskantmutter / Ecrou hexagonal	M6*1.0P	1
12	JOSS-S-149A	Phillips Pan Head Tapping Screw / Kreuzschlitz-Schneidschraube / Vis à tête cylindrique Phillips	M4*15L	1
13	JOSS-S-213E	Switch / Schalter / Interrupteur		1
14	JOSS-S-214E	Switch Box / Schaltkasten / Boîte de commutation		1
16	JOSS-S-216E	Strain Relief / Zugentlastung / Soulagement de la tension		2
17	JOSS-S-217E	Power Cord / Netzkabel / Cordon d'alimentation	3x16 AWG	1
18	JOSS-S-218	Carriage Bolt / Schlittenbolzen / Boulon de carrosserie	M6*1.0P*16L	1
19	JOSS-S-219	Coupling Cushion / Kupplungskissen / Coussin d'accouplement		1
20	JOSS-S-220	Key / Schlüssel / Clé	5*5*25L	1
21	TS-0270031	Socket Set Screw / Stellschraube mit Innensechskant / Vis à tête creuse	5/16"-18UNC*3/8"L	2
22	JOSS-S-222	Motor Coupling / Motor-Kupplung / Accouplement du moteur		1
23	JOSS-S-223E	Motor / Motor / Moteur	1HP, 230V, 1Ph	1
24	JOSS-S-224E	Motor Cord / Motorkabel / Cordon moteur		1
25	JOSS-S-225	Base / Basis / Base		1
26	JOSS-S-226	Strain Relief / Zugentlastung / Soulagement de la tension	PG 9	1
27	JOSS-S-227	Sponge Strip / Schwammstreifen / Bande d'éponge	10*2*470mm	2
28	JOSS-S-228	Edging Strip / Einfassungstreifen / Bande de rive (for 4" Rubber Drum)		2
29	JOSS-S-229	Edging Strip / Einfassungstreifen / Bande de rive (for 1" Rubber Drum)		2
30	JOSS-S-230	Edging Strip / Einfassungstreifen / Bande de rive (for 1-1/2" Rubber Drum)		2
31	JOSS-S-231	Edging Strip / Einfassungstreifen / Bande de rive (for 2" Rubber Drum)		2
32	JOSS-S-232	Edging Strip / Einfassungstreifen / Bande de rive (for 3" Rubber Drum)		2
33	JOSS-S-233	Table Insert / Tabelle einfügen / Insertion dans le tableau (for 1/4"~3/4" Spindle)		1
34	JOSS-S-234	Table Insert / Tabelle einfügen / Insertion dans le tableau (for 1", 1-1/2", 2" Rubber Drum)		1
35	JOSS-S-235	Table Insert / Tabelle einfügen / Insertion dans le tableau (only for 3/8" spindle at 90 deg.)		1
36	JOSS-S-236	Table Insert / Tabelle einfügen / Insertion dans le tableau (only for 2" Rubber Drum at 90 deg.)		1
37	JOSS-S-237	Table Insert / Tabelle einfügen / Insertion dans le tableau (only for 4" Rubber Drum at 90 deg.)		1
38	JOSS-S-238	Table Insert / Tabelle einfügen / Insertion dans le tableau for 3", 4" Rubber Drum		1
39	JOSS-S-239	Spindle Seat / Spindelsitz / Siège de la broche		1
40	JOSS-S-240	Sponge Strip / Schwammstreifen / Bande d'éponge	10*2*235mm	1

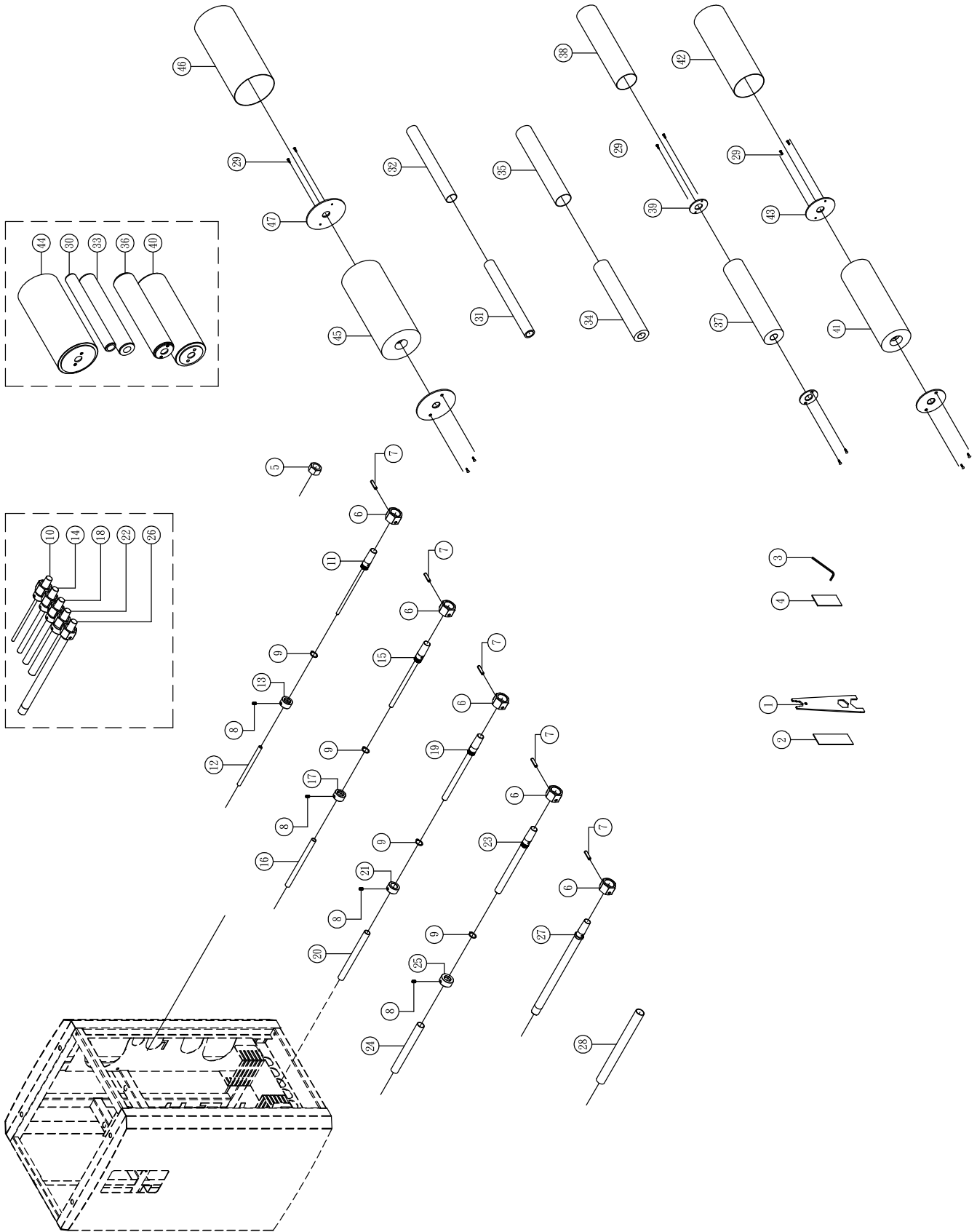
PART LIST / ERSATZTEILLISTE / LISTE DES PIÈCES DÉTACHÉES

JOSS-S

Index No.	Part No.	Description	Size	Qty
41	JOSS-S-241	Cabinet Door / Schranktür / Porte de l'armoire		1
42	JOSS-S-242	Door Pivot / Türzapfen / Pivot de porte		1
43	JOSS-S-243	Compression Spring / Druckfeder / Ressort de compression		1
44	JOSS-S-244	Retainer Ring / Haltering / Anneau de retenue	ETW-5	1
45	JOSS-S-245	Door Latch / Türverriegelung / Loquet de porte		1
46	JOSS-S-246E	Motor Labe / Motorlabel / Laboratoire de motorisation		1
47	JOSS-S-247E	ID Label / ID-Etikett / Étiquette d'identification		1
48E	JOSS-S-248E	Shaft Size Indication Labe / Schaftgrößenangabe Etikett / Indication du calibre de l'arbre Labe		1
49	JOSS-S-249	Edging Strip / Einfassungstreifen / Bande de rive (for 5/8", 3/4" Shaft)		1
50	JOSS-S-250	Edging Strip / Einfassungstreifen / Bande de rive (for 1/4", 3/8", 1/2" Shaft)		1
51	TS-1550061	Flat Washer / Unterlegscheibe / Rondelle plate	8.2x16x1T	1
52	JOSS-S-252E	Cover / Abdeckung / Couverture		1
53	JOSS-S-254E	Phillips Round Head Screw / Kreuzschlitzschraube mit rundem Kopf / Vis à tête ronde Phillips	M5*0.8P*10L	2
	JET-92	Logo / Logo / Logo (not shown / nicht gezeigt / non illustré)	92x38mm	1

EXPLOSION DRAWING / ERSATZTEILZEICHNUNG / VUE ÉCLATÉE

JOSS-S



PART LIST / ERSATZTEILLISTE / LISTE DES PIÈCES DÉTACHÉES

JOSS-S

Index No.	Part No.	Description	Size	Qty
1	JOSS-S-301	Combination Wrench / Kombischlüssel / Clé mixte		1
2	JOSS-S-302	Magnet (Large) / Magnet (groß) / Aimant (grand)		1
3	TS-152704	Hex Wrench / Sechskant-Schlüssel / Clé hexagonale	3mm	1
4	JOSS-S-304	Magnet (Small) / Magnet (klein) / Aimant (petit)		1
5	TS-0571082	Hex Nut / Sechskantmutter / Écrou hexagonal	3/4"-16UNF	1
6	JOSS-S-306	Special Nut / Besondere Nuss / Ecrou spécial		5
7	JOSS-S-307	Pin / Stift / Épingle	5*25	5
8	TS-2276081	Socket Set Screw / Stellschraube mit Innensechskant / Vis à tête creuse	M6*1.0P*8L	4
9	JOSS-S-309	Retaining Ring / Sicherungsring / Anneau de retenue	STW-17	4
10	JOSS-S-310A	Spindle Assembly / Montage der Spindel / Assemblage de la broche (incl. #6, 7, 8, 9, 11, 13 & 100G sleeve / Hülse / manchon)	1/4"	1
11	JOSS-S-311A	Spindle / Spindel / Broche	1/4"	1
12*	575891	Sanding Sleeve / Schleifhülse / Manchon de ponçage (60 Grit) – 4 pack / packen / paquet	1/4" x 6"	
	575893	Sanding Sleeve / Schleifhülse / Manchon de ponçage (100 Grit) – 4 pack	1/4" x 6"	
	575894	Sanding Sleeve (150 Grit) – 4 pack / packen / paquet	1/4" x 6"	
13	JOSS-S-313	Collar / Kragen / Collier (for 1/4" Spindle Assembly / Montage der Spindel / Assemblage de la broche)		1
14	JOSS-S-314	Spindle Assembly / Montage der Spindel / Assemblage de la broche (incl. #6, 7, 8, 9, 15, 17 & 100G sleeve / Hülse / manchon)	3/8"	1
15	JOSS-S-315	Spindle / Spindel / Broche	3/8"	1
16	575896	Sanding Sleeve / Schleifhülse / Manchon de ponçage (60 Grit) – 4 pack / packen / paquet	3/8" x 6"	
	575898	Sanding Sleeve / Schleifhülse / Manchon de ponçage (100 Grit) – 4 pack / packen / paquet	3/8" x 6"	
	575899	Sanding Sleeve / Schleifhülse / Manchon de ponçage (150 Grit) – 4 pack / packen / paquet	3/8" x 6"	
17	JOSS-S-317	Collar / Kragen / Collier (for 3/8" Spindle Assembly / Montage der Spindel / Assemblage de la broche)		1
18	JOSS-S-318	Spindle Assembly / Montage der Spindel / Assemblage de la broche (incl. #6, 7, 8, 9, 19, 21 & 100G sleeve / Hülse / manchon)	1/2"	1
19	JOSS-S-319	Spindle / Spindel / Broche	1/2"	1
20	575901	Sanding Sleeve / Schleifhülse / Manchon de ponçage (60 Grit) – 4 pack / packen / paquet	1/2" x 6"	
	575903	Sanding Sleeve / Schleifhülse / Manchon de ponçage (100 Grit) – 4 pack / packen / paquet	1/2" x 6"	
21	JOSS-S-321	Collar / Kragen / Collier (for 1/2" Spindle Assembly / Montage der Spindel / Assemblage de la broche)		1
22	JOSS-S-322	Spindle Assembly / Montage der Spindel / Assemblage de la broche (incl. #6, 7, 8, 9, 23, 25 & 100G sleeve / Hülse / manchon)	5/8"	1
23	JOSS-S-323	Spindle / Spindel / Broche	5/8"	1
24	575906	Sanding Sleeve / Schleifhülse / Manchon de ponçage (60 Grit) – 4 pack / packen / paquet	5/8" x 6"	
	575908	Sanding Sleeve / Schleifhülse / Manchon de ponçage (100 Grit) – 4 pack / packen / paquet	5/8" x 6"	
	575909	Sanding Sleeve / Schleifhülse / Manchon de ponçage (150 Grit) – 4 pack / packen / paquet	5/8" x 6"	
25	JOSS-S-325	Collar / Kragen / Collier (for 5/8" Spindle Assembly / Montage der Spindel / Assemblage de la broche)		1
26	JOSS-S-326	Spindle Assembly / Montage der Spindel / Assemblage de la broche (incl. #6, 7, 27 & 100G sleeve / Hülse / manchon)	3/4"	1
27	JOSS-S-327	Spindle / Spindel / Broche	3/4"	1

PART LIST / ERSATZTEILLISTE / LISTE DES PIÈCES DÉTACHÉES

JOSS-S

Index No.	Part No.	Description	Size	Qty
28	575911	Sanding Sleeve / Schleifhülse / Manchon de ponçage (60 Grit) – 4 pack / packen / paquet	3/4" x 9"	
	575913	Sanding Sleeve / Schleifhülse / Manchon de ponçage (100 Grit) – 4 pack / packen / paquet	3/4" x 9"	
	575914	Sanding Sleeve / Schleifhülse / Manchon de ponçage (150 Grit) – 4 pack / packen / paquet	3/4" x 9"	
29	JOSS-S-329	Self Tapping Screw / Selbstschneidende Schraube / Vis autotaraudeuse	M3*12L	12
30	JOSS-S-330	Drum Assembly / Trommel Montage / Assemblage du tambour (incl. #31 & 100G sleeve / Hülse / manchon)	1"	1
31	JOSS-S-331	Rubber Drum / Gummitrommel / Tambour en caoutchouc	1"	1
32	575916	Sanding Sleeve / Schleifhülse / Manchon de ponçage (60 Grit) – 4 pack / packen / paquet	1" x 9"	
	575918	Sanding Sleeve / Schleifhülse / Manchon de ponçage (100 Grit) – 4 pack / packen / paquet	1" x 9"	
	575919	Sanding Sleeve / Schleifhülse / Manchon de ponçage (150 Grit) – 4 pack / packen / paquet	1" x 9"	
33	JOSS-S-333	Drum Assembly / Trommel Montage / Assemblage du tambour (incl. #34 & 100G sleeve / Hülse / manchon)	1-1/2"	1
34	JOSS-S-334	Rubber Drum / Gummitrommel / Tambour en caoutchouc	1-1/2"	1
35	575926	Sanding Sleeve / Schleifhülse / Manchon de ponçage (60 Grit) – 4 pack / packen / paquet	1-1/2" x 9"	
	575928	Sanding Sleeve / Schleifhülse / Manchon de ponçage (100 Grit) – 4 pack / packen / paquet	1-1/2" x 9"	
	575929	Sanding Sleeve / Schleifhülse / Manchon de ponçage (150 Grit) – 4 pack / packen / paquet	1-1/2" x 9"	
36	JOSS-S-336	Drum Assembly / Trommel Montage / Assemblage du tambour (incl.#29, 37, 39, & 100G sleeve / Hülse / manchon)	2"	1
37	JOSS-S-337	Rubber Drum / Gummitrommel / Tambour en caoutchouc	2"	1
38	575936	Sanding Sleeve / Schleifhülse / Manchon de ponçage (60 Grit) – 4 pack / packen / paquet	2" x 9"	
	575938	Sanding Sleeve / Schleifhülse / Manchon de ponçage (100 Grit) – 4 pack / packen / paquet	2" x 9"	
	575939	Sanding Sleeve / Schleifhülse / Manchon de ponçage (150 Grit) – 4 pack / packen / paquet	2" x 9"	
39	JOSS-S-339	Washer / Waschmaschine / Laveuse	2"	2
40	JOSS-S-340	Drum Assembly / Trommel Montage / Assemblage du tambour (incl.#29, 41, 43 & 100G sleeve / Hülse / manchon)	3"	1
41	JOSS-S-341	Rubber Drum / Gummitrommel / Tambour en caoutchouc	3"	1
42	575946	Sanding Sleeve / Schleifhülse / Manchon de ponçage (60 Grit) – 4 pack / packen / paquet	3" x 9"	
	575948	Sanding Sleeve / Schleifhülse / Manchon de ponçage (100 Grit) – 4 pack / packen / paquet	3" x 9"	
	575949	Sanding Sleeve / Schleifhülse / Manchon de ponçage (150 Grit) – 4 pack / packen / paquet	3" x 9"	
43	JOSS-S-343	Washer / Waschmaschine / Laveuse	3"	2
44	JOSS-S-344	Drum Assembly / Trommel Montage / Assemblage du tambour (incl.#29, 45, 47 & 100G sleeve / Hülse / manchon)	4"	1
45	JOSS-S-345	Rubber Drum / Gummitrommel / Tambour en caoutchouc	4"	1

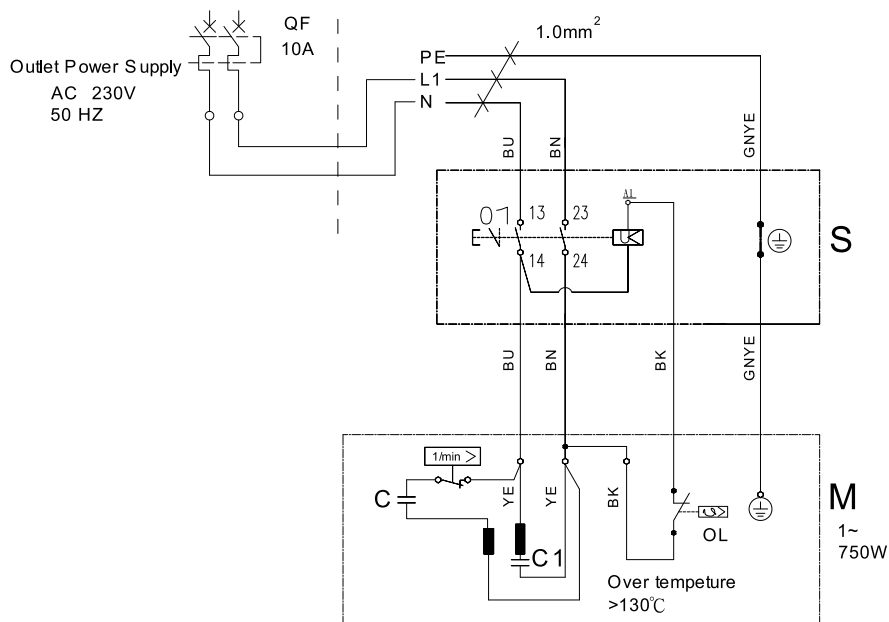
PART LIST / ERSATZTEILLISTE / LISTE DES PIÈCES DÉTACHÉES

JOSS-S

Index No.	Part No.	Description	Size	Qty
46	JOSS-S-346A	Sanding Sleeve / Schleifhülse / Manchon de ponçage (60 Grit) – 4 pack / packen / paquet	4" x 9"	
	JOSS-S-346B	Sanding Sleeve / Schleifhülse / Manchon de ponçage (100 Grit) – 4 pack / packen / paquet	4" x 9"	
	JOSS-S-346C	Sanding Sleeve / Schleifhülse / Manchon de ponçage (150 Grit) – 4 pack / packen / paquet	4" x 9"	
47	JOSS-S-347	Washer / Waschmaschine / Laveuse	4"	2

ELECTRICAL DIAGRAM / ELEKTRISCHE ANLAGE / SCHÉMA ÉLECTRIQUE

JOSS-S.....723950M.....1~230V, 50Hz



	colour of strands	Litzenfarben	couleur des cordons
BK	black	schwarz	noir
WH	white	weiß	blanc
BU	blue	blau	bleu
YE	yellow	gelb	jaune
RD	red	rot	rouge
BN	brown	braun	brun
GY	grey	grau	gris
GNYE	green-yellow	grün-gelb	vert-jaune
OG	orange	orange	orange
VT	violet	violett	violet

	meaning of symbol	Bedeutung der Zeichen	interprétation
M	motor	Motor	moteur
S	switch	Schalter	interrupteur
C	condenser	Kondensator	condensateur
C1	condenser	Kondensator	condensateur
E	electronic unit	Elektronik Einheit	unité électronique
CS	centrifugal switch	Fliehkraftschalter	déclencheur centrifuge
OL	overload cut-off	Überlastschuttschalter	déclencheur surcharge
QF	circuit breaker	Schutzschalter	disjoncteur



ENVIRONMENTAL PROTECTION

Protect the environment.

Your appliance contains valuable materials which can be recovered or recycled. Please leave it at a specialized institution.



This symbol indicates separate collection for electrical and electronic equipment required under the WEEE Directive (Directive 2012/19/EC) and is effective only within the European Union.

UMWELTSCHUTZ

Schützen Sie die Umwelt!

Ihr Gerät enthält mehrere unterschiedliche, wiederverwertbare Werkstoffe.

Bitte entsorgen Sie es nur an einer spezialisierten Entsorgungsstelle.



Dieses Symbol verweist auf die getrennte Sammlung von Elektro- und Elektronikgeräten, gemäß Forderung der WEEE-Richtlinie (2012/19/EU). Diese Richtlinie ist nur innerhalb der Europäischen Union wirksam.

PROTECTION DE L'ENVIRONNEMENT

Protégez l'environnement !

Votre appareil comprend plusieurs matières premières différentes et recyclables. Pour éliminer l'appareil usagé, veuillez l'apporter dans un centre spécialisé de recyclage des appareils électriques.



Ce symbole indique une collecte séparée des équipements électriques et électroniques conformément à la directive DEEE (2012/19/UE). Cette directive n'est efficace que dans l'Union européenne.



WARRANTY / GARANTIE

TOOL FRANCE guarantees that the supplied product(s) is/are free from material defects and manufacturing faults.

This warranty does not cover any defects which are caused, either directly or indirectly, by incorrect use, carelessness, damage due to accidents, repairs or inadequate maintenance or cleaning as well as normal wear and tear.

Further details on warranty (e.g. warranty period) can be found in the General Terms and Conditions (GTC) that are an integral part of the contract.

These GTC may be viewed on the website of your dealer or sent to you upon request.

TOOL FRANCE reserves the right to make changes to the product and accessories at any time.

TOOL FRANCE garantiert, dass das/die von ihr gelieferte/n Produkt/e frei von Material- und Herstellungsfehlern ist.

Diese Garantie deckt keinerlei Mängel, Schäden und Fehler ab, die - direkt oder indirekt - durch falsche oder nicht sachgemäße Verwendung, Fahrlässigkeit, Unfallschäden, Reparaturen oder unzureichende Wartungs- oder Reinigungsarbeiten sowie durch natürliche Abnutzung durch den Gebrauch verursacht werden.

Weitere Einzelheiten zur Garan können den allgemeinen Geschäftsbedingungen (AGB) entnommen werden.

Diese können Ihnen auf Wunsch per Post oder Mail zugesendet werden.

TOOL FRANCE behält sich das Recht vor, jederzeit Änderungen am Produkt und am Zubehör vorzunehmen.

TOOL FRANCE garantit que le/les produit(s) fourni(s) est/sont exempt(s) de défauts matériels et de défauts de fabrication.

Cette garantie ne couvre pas les défauts, dommages et défaillances causés, directement ou indirectement, par l'utilisation incorrecte ou inadéquate, la négligence, les dommages accidentels, la réparation, la maintenance ou le nettoyage incorrects et l'usure normale.

Vous pouvez trouver de plus amples détails sur la garantie dans les conditions générales (CG).

Les CG peuvent être envoyées sur demande par poste ou par e-mail.

TOOL FRANCE se réserve le droit d'effectuer des changements sur le produit et les accessoires à tout moment.

UK DECLARATION OF CONFORMITY

Edition March 2024

Product:

OSCILLATING SPINDLE SANDER

Model:

JOSS-S

Brand:

JET

Manufacturer or authorized representative:

TOOL FRANCE

Unit 1a Stepnell Park

Off Lawford Road

Rugby

CV212UX

United Kingdom

We hereby declare that this product complies with the regulations:

SUPPLY OF MACHINERY (SAFETY) REGULATIONS 2008

ELECTROMAGNETIC COMPATIBILITY REGULATIONS 2016

Designed in consideration of the standards:

EN ISO 12100:2010

EN 60204-1:2006+A1:2009

Responsible for the documentation / Dokumentations-Verantwortung / Responsable de la documentation :



JÉRÔME GERMAIN

GENERAL MANAGER

DIRECTEUR GÉNÉRAL

N° de série / serial number :

At lisses / Hergestellt in / Fait à Lisses

Date :

**CE-CONFORMITY DECLARATION
CE-KONFORMITÄTSERKLÄRUNG
DÉCLARATION DE CONFORMITÉ CE**

Edition March 2024

Product/Produkt/Produit:

Oscillating Spindle Sander / Oszillierende Spindelschleifmaschine / Ponceuse à Broche Oscillante

JOSS-S

Brand/Marke/Marque:

JET

Manufacturer or authorized representative/Hersteller oder Bevollmächtigter/Fabricant ou son mandataire:

TOOL FRANCE

9 Rue des Pyrénées, 91090 LISSES, France

We hereby declare that this product complies with the regulations
Wir erklären hiermit, dass dieses Produkt der folgenden Richtlinie entspricht
Par la présente, nous déclarons que ce produit correspond aux directives suivantes

2006/42/EC

Machinery Directive / Maschinenrichtlinie / Directive Machines

2014/30/EU

Electromagnetic compatibility / elektromagnetische Verträglichkeit / compatibilité électromagnétique

designed in consideration of the standards
und entsprechend folgender zusätzlicher Normen entwickelt wurde
et été développé dans le respect des normes complémentaires suivantes

EN ISO 12100:2010

EN 60204-1:2006+A1:2009

Original instruction manual / Original-Bedienungsanleitung / Notice d'instruction Originale
Responsible for the documentation / Dokumentations-Verantwortung / Responsable de la documentation :



JÉRÔME GERMAIN
GENERAL MANAGER
DIRECTEUR GÉNÉRAL

N° de série / serial number :

At lisses / Hergestellt in / Fait à Lisses

Date :