

EHVS-80

EDGE SANDER KANTENSCHLEIFMASCHINE PONCEUSE DE BORDS



www.promac.fr



GB - ENGLISH

OPERATING INSTRUCTIONS

Dear Customer,

Many thanks for the confidence you have shown in us with the purchase of your new TOOL FRANCE machine. This manual has been prepared for the owner and operators of a TOOL FRANCE EHVS-80 edge sander to promote safety during installation, operation and maintenance procedures. Please read and understand the information contained in these operating instructions and the accompanying documents. To obtain maximum life and efficiency from your sander, and to use the machine safely, read this manual thoroughly and follow instructions carefully.

Table of Contents

1. Declaration of conformity

2. Warranty

3. Safety

Authorized use

General safety notes

Remaining hazards

4. Machine specifications

Technical data

Work piece dimensions

Noise emission

Contents of delivery

5. Transport and start up

Transport and installation

Assembly

Mains connection

Dust connection

Starting operation

6. Machine operation

Horizontal sanding

Vertical sanding

Curved work

7. Setup and adjustments

Changing the sanding belt

Belt tracking adjustment

Tilting angle adjustment

Tilting lock adjustment

Table adjustment

Motor Mount adjustment

8. Maintenance and inspection

9. Trouble shooting

10. Environmental protection

11. Available accessories

1. Declaration of conformity

On our own responsibility we hereby declare that this product complies with the regulations* listed on page 2. Designed in consideration with the standards**.

2. Warranty

TOOL FRANCE guarantees that the supplied product(s) is/are free from material defects and manufacturing faults.

This warranty does not cover any defects which are caused, either directly or indirectly, by incorrect use, carelessness, damage due to accidents, repairs or inadequate maintenance or cleaning as well as normal wear and tear.

Further details on warranty (e.g. warranty period) can be found in the General Terms and Conditions (GTC) that are an integral part of the contract.

These GTC may be viewed on the website of your dealer or sent to you upon request.

TOOL FRANCE reserves the right to make changes to the product and accessories at any time.

3. Safety

3.1 Authorized use

This sander is designed for sanding wood and similar materials only. Sanding of other materials is not permitted and may be carried out in specific cases only after consulting with the manufacturer.

The machine is not suitable for wet sanding.

The workpiece must allow to safely be loaded, supported and guided.

The proper use also includes compliance with the operating and maintenance instructions given in this manual.

The machine must be operated only by persons familiar with its operation and maintenance and who are familiar with its hazards.

The required minimum age must be observed.

The machine must only be used in a technically perfect condition.

When working on the machine, all safety mechanisms and covers must be mounted.

In addition to the safety requirements contained in these operating instructions and your country's applicable regulations, you should observe the generally recognized technical rules concerning the operation of woodworking machines.

Any other use exceeds authorization.

In the event of unauthorized use of the machine, the manufacturer renounces all liability and the responsibility is transferred exclusively to the operator.

3.2 General safety notes

Woodworking machines can be dangerous if not used properly. Therefore the appropriate general technical rules as well as the following notes must be observed.



Read and understand the entire instruction manual before attempting assembly or operation.



Keep this operating instruction close by the machine, protected from dirt and humidity, and pass it over to the new owner if you part with the tool.

No changes to the machine may be made.

Daily inspect the function and existence of the safety appliances before you start the machine.

Do not attempt operation in this case, protect the machine by unplugging the power cord.

Before operating the machine, remove tie, rings, watches, other jewellery, and roll up sleeves above the elbows.

Remove all loose clothing and confine long hair.

Wear safety shoes; never wear leisure shoes or sandals.

Always wear the approved working outfit:

- safety goggles
- ear protection
- dust protection



Do not wear gloves while operating this machine.



Install the machine so that there is sufficient space for safe operation and workpiece handling.

Keep work area well lighted.

The machine is designed to operate in closed rooms and must be bolted stable on firm and levelled table surface or on the supplied cabinet stand.

Make sure that the power cord does not impede work and cause people to trip.

Keep the floor around the machine clean and free of scrap material, oil and grease.

Stay alert! Give your work undivided attention.

Use common sense. Do not operate the machine when you are tired.

Do not operate the machine under the influence of drugs, alcohol or any medication. Be aware that medication can change your behavior.



Keep an ergonomic body position.

Maintain a balanced stance at all times.

Never reach into the machine while it is operating or running down.



Keep children and visitors a safe distance from the work area.

Never leave a running machine unattended.

Before you leave the workplace switch off the machine.

Do not operate the electric tool near inflammable liquids or gases.

Observe the fire fighting and fire alert options, for example the fire extinguisher operation and place.

Do not use the machine in a damp environment and do not expose it to rain.

Wood dust is explosive and can also represent a risk to health.

Dust from some tropical woods in particular, and from hardwoods like beach and oak, is classified as a carcinogenic substance.

Always use a suitable dust collection device
Before machining, remove any nails and other foreign bodies from the workpiece.

Machine only stock which rests securely on the table.

Never operate with the guards not in place – serious risk of injury!

Specifications regarding the maximum or minimum size of the workpiece must be observed.

Do not remove chips and workpiece parts until the machine is at a standstill.

Do not stand on the machine.

Connection and repair work on the electrical installation may be carried out by a qualified electrician only.



Have a damaged or worn power cord replaced immediately.

Make all machine adjustments or maintenance with the machine unplugged from the power source.



3.3 Remaining hazards

When using the machine according to regulations some remaining hazards may still exist.

The moving sanding belt in the work area can cause injury.

Risk of kickback. The work piece is caught by the moving sanding belt and thrown back to the operator.

Thrown work piece parts can lead to injury.

Sanding dust and noise can be health hazards. Be sure to wear personal protection gear such as safety goggles and dust mask. Use a suitable dust exhaust system.

Defective sanding belts can cause injuries.

The use of incorrect mains supply or a damaged power cord can lead to injuries caused by electricity.

4. Machine specifications

4.1 Technical data

Belt size (WxL)	150 x 2260mm
Table size (LxW)	810 x 180mm
Sanding unit tilt	90°
Belt speed	17m/sec
Dust port diameter	100mm
suction at 20 m/sec	560m ³ /h
Overall (LxWxH)	1150 x 460 x 960mm
Net weight	110 kg
Mains	1~230V, PE, 50Hz
Output power	1,1kW (1.5HP) S1
Reference current	9 A
Extension cord (H07RN-F):	3x1,5mm ²
Installation fuse protection	16A
Mains	3~400V, PE, 50Hz
Output power	1,5 kW (2HP) S1
Reference current	2,5 A
Extension cord (H07RN-F)	5x1,5mm ²
Installation fuse protection	16A
Insulation protection class	I

4.2 Work piece dimensions

Horizontal sanding on backstop:

Length x width max. 830x140mm

Vertical sanding on machine table:

Length x width max. 830x 140mm

Concave sanding:

Sanding radius min. 55mm

4.3 Noise emission

Acoustic pressure level (according to EN ISO 11202):

Idling LpA 72,7 dB (A)

In operation LpA 86,5 dB (A)

The specified values are emission levels and are not necessarily to be seen as safe operating levels.

As workplace conditions vary, this information is intended to allow the user to make a better estimation of the hazards and risks involved only.

4.4 Content of delivery

Machine stand
 Extension table assembly
 Belt guard
 Drum guard
 Horizontal fence
 Back stop
 Mitre gauge assembly
 1 sanding belt
 Operating tools
 Assembly kit
 Operating manual
 Spare parts list.

5. Transport and start up

5.1 Transport and installation

For transport use a forklift or hand trolley.

Make sure the machine does not tip or fall off during transport.

The machine is designed to operate in closed rooms and must be placed stable on firm and levelled ground.

The machine can be bolted down if required.

For packing reasons the machine is not completely assembled.

5.2 Assembly

If you notice transport damage while unpacking, notify your supplier immediately. Do not operate the machine!

Dispose of the packing in an environmentally friendly manner.

Clean all rust protected surfaces with a mild solvent.

Cabinet stand assembly

Attach the four rubber pads (A, Fig 1) to the bottoms of the side panels with 4 screws, 4 flat washers and 4 hex nuts.

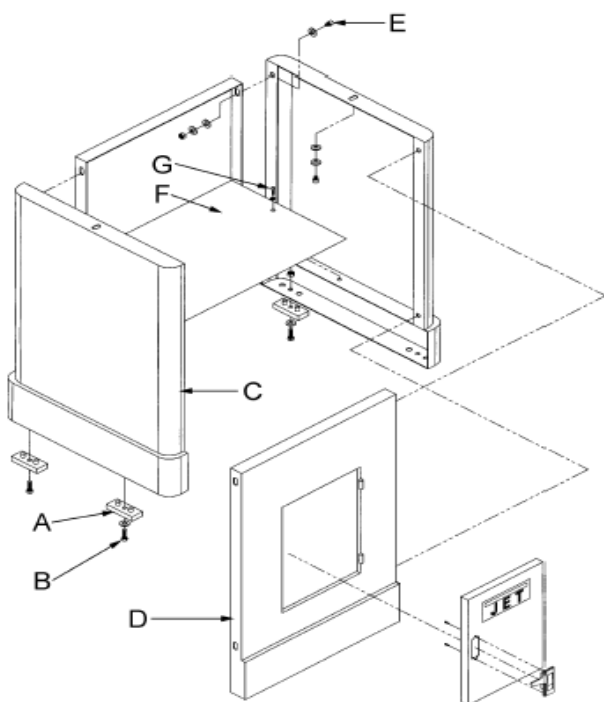


Fig 1

Attach the side panels (C) to the front panel (D) with 4 hex cap bolts, 8 flat washers, 4 lock washer, and 4 hex nuts (E).

Mount the shelf (F) to the inside of the stand with 2 pan head screws M5 (G) and 2 lock washers.

Finish stand assembly by attaching rear panel to side panels. Make sure stand is sitting evenly on a level surface before tightening hardware.

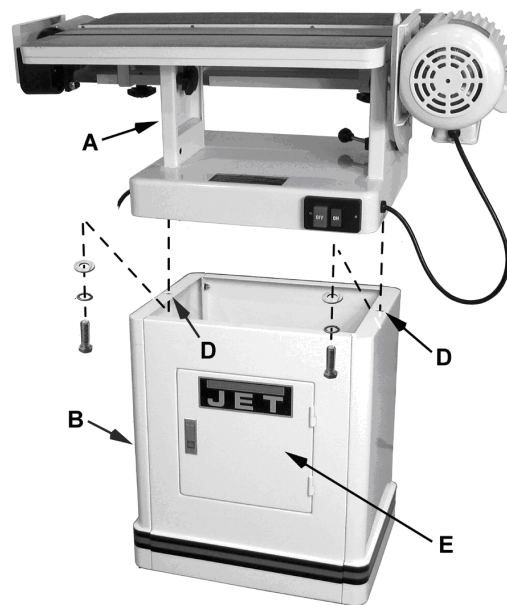


Fig 2

WARNING:

Main unit (A) is 85kg heavy!

Use great care and adequate resources when lifting the unit up onto the stand (B).

Through the door in the cabinet (E) attach main unit to stand with two hex cap bolts and two flat washers (D).

Sanding belt installation

Unlock the platen assembly (A, Fig 3).

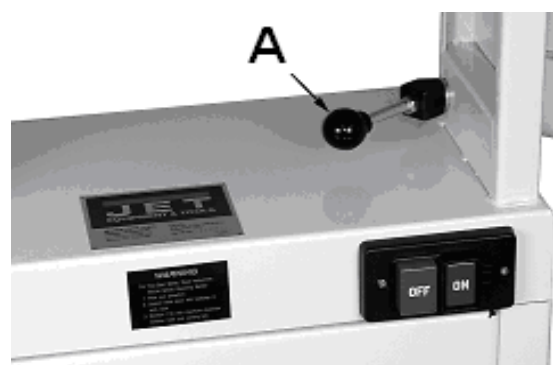


Fig 3

Tilt sanding unit to the vertical position, and lock handle.

Remove the belt guards (A, Fig 4) by unscrewing two lock knobs (B).

Take out sanding belt and fence packed behind the belt guard.

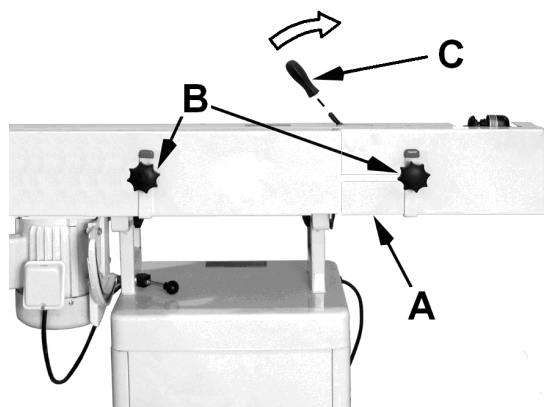


Fig 4

Move the handle (C) to the no-belt-tension position.

Place belt on both rollers so that the edge of the belt is even with the edge of the rollers.

Observe direction arrow on inside of sanding belt.
Make sure that direction arrow on belt matches direction indicator on the belt cover.

Tension the belt if in place.

Rotate the belt by hand in the direction indicated by the arrow on the belt guard (If belt tracking needs adjustment see "Belt Tracking Adjustment" chapter 8.1)

Extension table assembly

Attach the extension bracket (A, Fig. 5) using 4 hex cap bolts, 4 lock washers and 4 flat washers (The hardware can be found in the bag with the 3mm hex wrench).

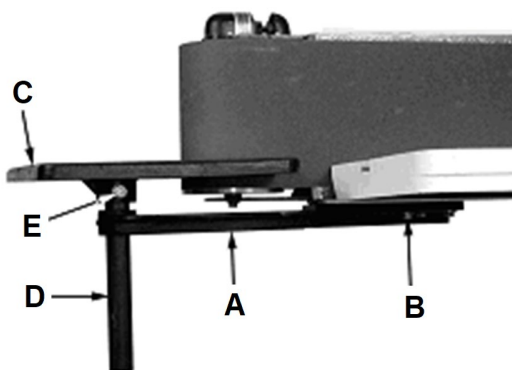


Fig 5

Fasten the support rod (D) to the extension table (C) by tightening the hex cap screw (E) against the flat on the support rod. Tighten the jam nut.

Raise table to a good height and tighten two set screws on the bracket

Mount the belt guard!

5.3 Mains connection

Mains connection and any extension cords used must comply with applicable regulations.

The mains voltage must comply with the information on the machine licence plate.

The mains connection must have a 16 A surge-proof fuse.

Only use power cords marked H07RN-F

Connections and repairs to the electrical equipment may only be carried out by qualified electricians.

In case of machine overload the motor overload cut-off will react.

After appr.5 min of cooling the overload cut off can be reset.

WARNING: The machine will start when you reset the overload push button! (Only 230V version)

5.4 Dust connection

Before initial operation, the machine must be connected to a dust extractor. The suction should switch on automatically when the belt sander is switched on.

The flow rate on the suction port must be 20m/sec.

Flexible hoses must be of non-flammable quality, and must be connected to the machine ground system.

5.5 Starting operation

You can start the machine with the green on button.

The red button on the main switch stops the machine.

After connecting to the power source, turn on the power to the machine just enough to start the belt rotating and then turn off. Do this several times and observe belt tracking.

If adjustment is necessary refer to "Belt tracking adjustment" (chapter 7.2)

6. Machine operation

6.1 Horizontal sanding

With the sanding platen locked in the horizontal position, the removable fence (A, Fig 7) may be used.

The fence can be secured in place by screwing two lock knobs (B) into the guide blocks found in the mitre slot.

Remove the extension table and install the end guard if applicable.

The backstop (C) must be mounted and the belt guards must be installed.

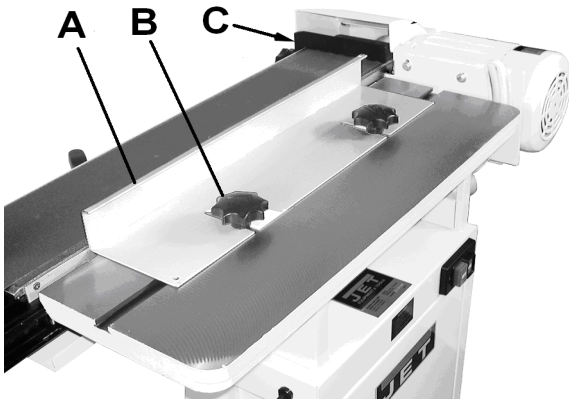


Fig 7

6.2 Vertical sanding

With the sanding platen (E, Fig 8) locked in the vertical position, the backstop (C) must be installed.

Remove the extension table and install the end guard if applicable.

The belt guards must be installed.

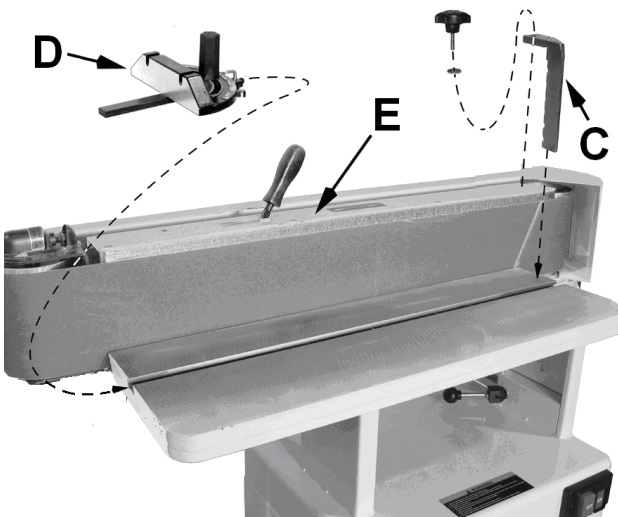


Fig 8

Any sanding angle can be chosen. The adjustable 90° stop is located on the back of the machine.

The mitre gauge (D) may be used.

The machine table is adjustable in height (see chapter 7.5).

Note:

With the machine table slightly tilted and the workpiece moving longitudinally you can achieve an additional oscillation and an improved sanding surface.

6.3 Contour sanding

Remove the end guard.

Mount the extension table (F, Fig 9) and clamp it on the desired working height with lock knob (G).

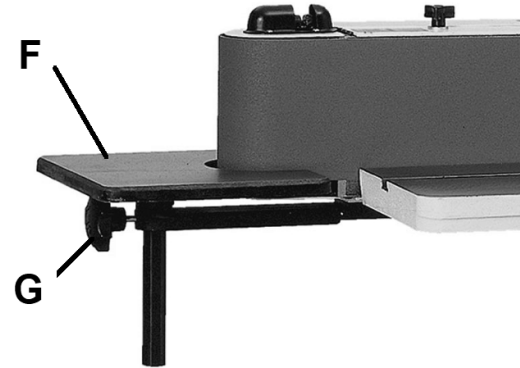


Fig 9

The end guard must always be in place if the extension table is not in use.

7. Setup and adjustments

General note:

Setup and adjustment work may only be carried out after the machine is protected against accidental starting by pulling the mains plug.

Make sure that the sanding belt is running clear after every setup or adjustment done.

7.1 Changing the sanding belt

Disconnect the machine from the power source (pull mains plug).

Lock sanding platen in the vertical position.

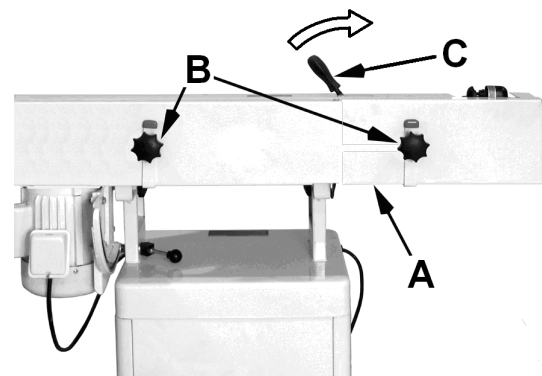


Fig 10

Loosen lock knobs (B, Fig 10).

Remove belt guards (A).

Release belt tension by handle (C).

Carefully remove old belt.

Observe direction arrow on inside of new sanding belt.

Make sure that direction arrow on belt matches direction indicator on the belt cover. Install new belt over both rollers and line up edge of belt with edge of rollers.

Tension belt by releasing handle (C).

Reinstall the belt guards.

Note: Belts stretch with wear. You may have to adjust tracking with a new belt.

7.2 Belt tracking adjustment

Disconnect the machine from the power source.

Push the belt by hand in the direction indicated on the belt cover. Observe the belt position on the rollers. Edge of belt should remain even with the edge of the rollers.

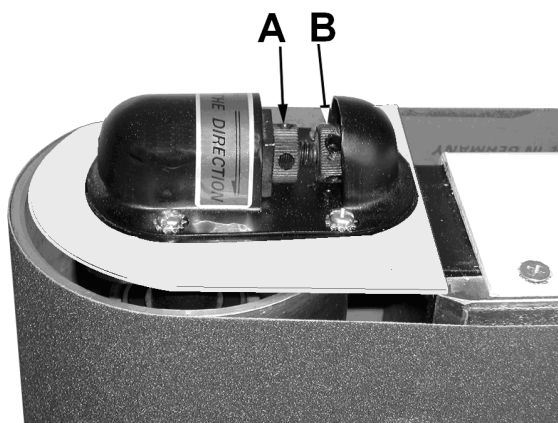


Fig 11

Loosen the micro adjusting nut (A, Fig 11).

The blade tracking is adjustable by the micro adjusting screw (B).

Retighten the micro adjusting nut (A).

Turn on the power to the machine just enough to start the belt rotating and then turn off. Do this several times and observe belt tracking. Readjust if necessary.

7.3 Tilting angle adjustment

Disconnect the machine from the power source.

Pull handle (A, Fig. 12) forward to release tension. Move sanding platen to the vertical position.

Use a combination square between the table and sanding platen to inspect the 90° angle.

Readjust the two 90° positive stops on the back of the machine if necessary.

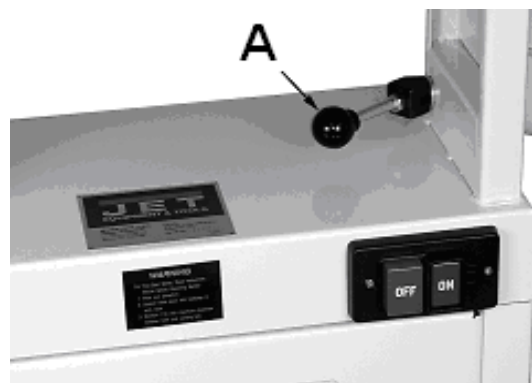


Fig 12

7.4 Tilting lock adjustment

Disconnect the machine from the power source.

The clamping function of the tilting lock (A, Fig 13) is adjustable.

Tension eccentric block by tightening the nylon stop nut (B)

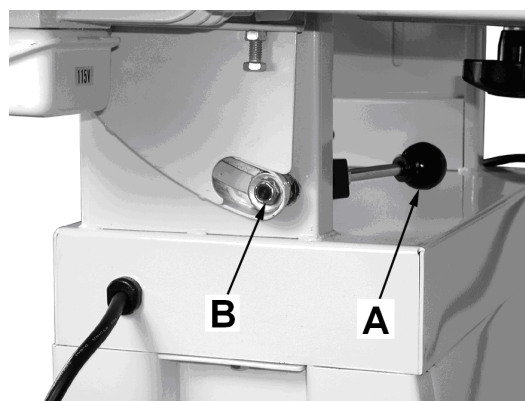


Fig 13

The platen and motor assembly must stay in a locked position without sliding once the handle has been moved to the locked position.

7.5 Table adjustment

The machine table can be adjusted to various heights for a better use of the sanding belt.

Disconnect the machine from the power source.

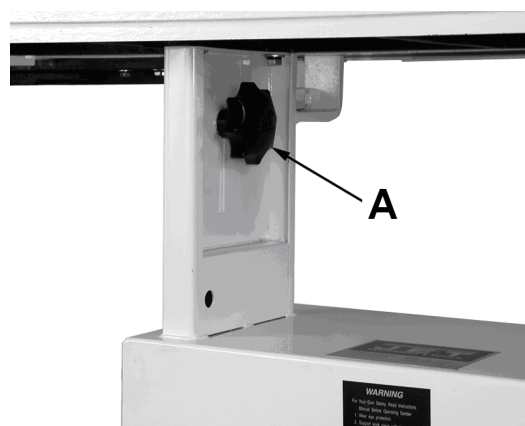


Fig 14

Loosen two lock knobs (A, Fig 14).

Raise or lower work table to desired level.

Tighten lock knobs.

WARNING:

Do not position table below sanding belt! Keep an overlap of at least 2mm between table and sanding belt to avoid material and/or fingers getting caught! Failure to comply may cause serious injury!

7.6 Motor mount adjustment

The motor mounting is set at the factory and should not require any further adjustment. If, however, you are not able to track the belt using the belt tracking adjustment assembly on the sanding platen, the motor mount bolts will have to be adjusted:

Disconnect the machine from the power source.

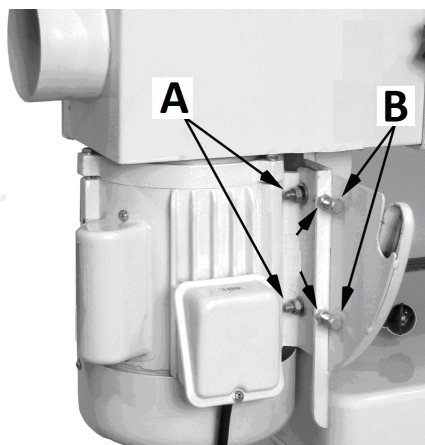


Fig 15

Slightly loosen the four motor mount nuts (A, Fig 15) just enough so the tracking bolts (B) can make an adjustment.

8. Maintenance and inspection

General notes:

Maintenance, cleaning and repair work may only be carried out after the machine is protected against accidental starting by pulling the mains plug.

Check sanding belts regularly for faults. Replace a defective sanding belt immediately.

Inspect the blade tracking regularly.

Take away the belt tension if the machine is not in use for a longer period.

Clean the machine regularly.

Inspect the proper function of the dust extraction daily.

Defective safety devices must be replaced immediately.

All protective and safety devices must be re-attached immediately after completed cleaning, repair and maintenance work.

Repair and maintenance work on the electrical system may only be carried out by a qualified electrician.

9. Trouble shooting

Motor doesn't start

*No electricity-
check mains and fuse.

*Defective switch, motor or cord-
consult an electrician.

*Overload has reacted-
Wait and reset overload cut-off.

Sanding belt slips

*Sanding belt is stretched-
install new sanding belt.

*Too much applied pressure
move work piece while
sanding.

Machine vibrates excessively

*Stand on uneven floor-
adjust stand for even
support.

*motor mounts are loose-
tighten motor mount bolts.

Abrasive belt keeps tearing

*Belt is running the wrong
direction- observe arrow on the
sanding belt

Sanded edge not square

*Table not square to sanding
platen-Adjust positive stop for 90°.

Sanding marks on the wood

*Work piece was held still- keep
work piece moving.

*Wrong grit sanding belt-
use coarser grit for stock removal
and fine grit for finish sanding.

*Feed pressure too high- never
force the wood.

10. Environmental protection

Protect the environment.

Your appliance contains valuable materials which can be recovered or recycled. Please leave it at a specialized institution.



This symbol indicates separate collection for electrical and electronic equipment required under the WEEE Directive (Directive 2012/19/EC) and is effective only within the European Union.

11. Available accessories

Stock number 60-0505

Abrasive belt cleaning stick

Stock number 708118

Mobile base up to 250kg

Refer to the TOOL FRANCE Pricelist for various grit sanding belts.

DE - DEUTSCH

GEBRAUCHSANLEITUNG

Sehr geehrter Kunde,

vielen Dank für das Vertrauen, welches Sie uns beim Kauf Ihrer neuen TOOL FRANCE Maschine entgegengebracht haben. Diese Anleitung ist für den Inhaber und die Bediener zum Zweck einer sicheren Inbetriebnahme, Bedienung und Wartung der Kantenschleifmaschine TOOL FRANCE EHVS-80 erstellt worden. Beachten Sie bitte die Informationen dieser Gebrauchsanleitung und der beiliegenden Dokumente. Lesen Sie diese Anleitung vollständig, insbesondere die Sicherheitshinweise, bevor Sie die Maschine zusammenbauen, in Betrieb nehmen oder warten. Um eine maximale Lebensdauer und Leistungsfähigkeit Ihrer Schleifmaschine zu erreichen befolgen Sie bitte sorgfältig die Anweisungen.

Inhaltsangabe

1. Konformitätserklärung

2. Garantie

3. Sicherheit

Bestimmungsgemäße Verwendung
Allgemeine Sicherheitshinweise
Restrisiken

4. Maschinenspezifikation

Technische Daten
Werkstückabmessungen
Schallemission
Lieferumfang

5. Transport und Inbetriebnahme

Transport und Aufstellung
Montage
Elektrischer Anschluss
Absaug Anschluss
Inbetriebnahme

6. Betrieb der Maschine

Horizontalschleifen
Vertikalschleifen
Hohlschleifen

7. Rüst- und Einstellarbeiten

Schleifbandwechsel
Bandlauf Einstellung
Schwenkwinkel Einstellung
Schwenkklemmung
Auflagetisch Einstellung
Motormontage Einstellung

8. Wartung und Inspektion

9. Störungsabhilfe

10. Umweltschutz

11. Lieferbares Zubehör

1. Konformitätserklärung

Wir erklären in alleiniger Verantwortlichkeit, dass dieses Produkt mit den auf Seite 2 angegebenen Richtlinien* übereinstimmt.

Bei der Konstruktion wurden folgende Normen** berücksichtigt.

2. Garantie

TOOL FRANCE garantiert, dass das/die von ihr gelieferte/n Produkt/e frei von Material- und Herstellungsfehlern ist.

Diese Garantie deckt keinerlei Mängel, Schäden und Fehler ab, die - direkt oder indirekt - durch falsche oder nicht sachgemäße Verwendung, Fahrlässigkeit, Unfallschäden, Reparaturen oder unzureichende Wartungs- oder Reinigungsarbeiten sowie durch natürliche Abnutzung durch den Gebrauch verursacht werden.

Weitere Einzelheiten zur Garantie können den allgemeinen Geschäftsbedingungen (AGB) entnommen werden.

Diese können Ihnen auf Wunsch per Post oder Mail zugesendet werden.

TOOL FRANCE behält sich das Recht vor, jederzeit Änderungen am Produkt und am Zubehör vorzunehmen.

3. Sicherheit

3.1 Bestimmungsgemäße Verwendung

Die Kantenschleifmaschine ist geeignet zum Schleifen von Holz und Holzersatzstoffen.

Die Bearbeitung anderer Werkstoffe ist nicht zulässig bzw. darf in Sonderfällen nur nach Rücksprache mit dem Maschinenhersteller erfolgen.

Die Maschine ist nicht für Nass-Schliff geeignet.

Es dürfen nur Werkstücke bearbeitet werden welche sicher aufgelegt und geführt werden können.

Die bestimmungsgemäße Verwendung beinhaltet auch die Einhaltung der vom Hersteller angegebenen Betriebs- und Wartungsanweisungen.

Die Maschine darf ausschließlich von Personen bedient werden, die mit Betrieb und Wartung vertraut und über die Gefahren unterrichtet sind.

Das gesetzliche Mindestalter ist einzuhalten.

Neben den in der Gebrauchsanleitung enthaltenen Sicherheitshinweisen und den besonderen Vorschriften Ihres Landes sind die für den Betrieb von Holzbearbeitungsmaschinen allgemein anerkannten fachtechnischen Regeln zu beachten.

Jeder darüber hinaus gehende Gebrauch gilt als nicht bestimmungsgemäß und für daraus resultierende Schäden haftet der Hersteller nicht. Das Risiko trägt allein der Benutzer.

3.2 Allgemeine Sicherheitshinweise

Holzbearbeitungsmaschinen können bei unsachgemäßem Gebrauch gefährlich sein. Deshalb ist zum sicheren Betreiben die Beachtung der zutreffenden Unfallverhütungs- Vorschriften und der nachfolgenden Hinweise erforderlich.



Lesen und verstehen Sie die komplette Gebrauchsanleitung bevor Sie mit Montage oder Betrieb der Maschine beginnen.



Bewahren Sie die Bedienungsanleitung, geschützt vor Schmutz und Feuchtigkeit, bei der Maschine auf, und geben Sie sie an einen neuen Eigentümer weiter.

An der Maschine dürfen keine Veränderungen, An- und Umbauten vorgenommen werden.

Überprüfen Sie täglich vor dem Einschalten der Maschine die einwandfreie Funktion und das Vorhandensein der erforderlichen Schutzeinrichtungen.

Festgestellte Mängel an der Maschine oder den Sicherheitseinrichtungen sind zu melden und von den beauftragten Personen zu beheben.

Nehmen Sie die Maschine in solchen Fällen nicht in Betrieb, sichern Sie die Maschine gegen Einschalten durch Ziehen des Netzsteckers.

Zum Schutz von langem Kopfhaar Mütze oder Haarnetz aufsetzen.

Enganliegende Kleidung tragen, Schmuck, Ringe und Armbanduhren ablegen.

Tragen Sie Schutzschuhe, keinesfalls Freizeitschuhe oder Sandalen.

Verwenden Sie die durch Vorschriften geforderte persönliche Schutzausrüstung.

- Augenschutz
- Gehörschutz
- Staubschutz



Beim Arbeiten an der Maschine **keine Handschuhe** tragen.



Die Maschine so aufstellen, dass genügend Platz zum Bedienen und zum Führen der Werkstücke gegeben ist. Sorgen Sie für gute Beleuchtung.

Achten Sie darauf, dass die Maschine standsicher auf festem und ebenem Grund steht.

Beachten Sie dass die elektrische Zuleitung nicht den Arbeitsablauf behindert und nicht zur Stolperstelle wird.

Den Arbeitsplatz frei von behindernden Werkstücken, etc. halten.

Seien Sie aufmerksam und konzentriert. Gehen Sie mit Vernunft an die Arbeit.

Arbeiten Sie niemals unter dem Einfluss von Rauschmitteln wie Alkohol und Drogen an der Maschine. Beachten Sie, dass auch Medikamente Einfluss auf Ihr Verhalten nehmen können.



Achten Sie auf ergonomische Körperhaltung.

Sorgen Sie für sicheren Stand und halten Sie jederzeit das Gleichgewicht.

Niemals in die laufende Maschine greifen.



Halten Sie Unbeteiligte, insbesondere Kinder vom Gefahrenbereich fern.

Die laufende Maschine nie unbeaufsichtigt lassen.

Vor dem Verlassen des Arbeitsplatzes die Maschine ausschalten.

Benützen Sie die Maschine nicht in der Nähe von brennbaren Flüssigkeiten oder Gasen.

Beachten Sie die Brandmelde- und Brandbekämpfungsmöglichkeiten z.B. Standort und Bedienung von Feuerlöschern.

Benützen Sie die Maschine nicht in feuchter Umgebung und setzen Sie sie nicht dem Regen aus.

Achten Sie stets darauf, dass keine zu große Staubkonzentration entsteht – verwenden Sie stets eine geeignete Absauganlage
Holzstaub ist explosiv und kann gesundheitsschädigend sein.

Insbesondere tropische Hölzer und harte Hölzer wie Buche und Eiche sind als krebserregend eingestuft.

Vor der Bearbeitung Nägel und andere Fremdkörper aus dem Werkstück entfernen.

Bearbeiten Sie nur ein Werkstück, das sicher auf dem Tisch aufliegt.

Die Maschine nie bei entfernten Schutzeinrichtungen in Betrieb nehmen – große Verletzungsgefahr!

Angaben über die min. und max. Werkstückabmessungen müssen eingehalten werden.

Späne und Werkstückteile nur bei stehender Maschine entfernen.

Nicht auf der Maschine stehen.

Arbeiten an der elektrischen Ausrüstung der Maschine dürfen nur durch eine Elektrofachkraft vorgenommen werden.



Tauschen Sie ein beschädigtes Netzkabel sofort aus.

Umrüst-, Einstell- und Reinigungsarbeiten nur im Maschinenstillstand und bei gezogenem Netzstecker vornehmen.



Schadhafte Schleifbänder sofort ersetzen.

3.3 Restrisiken

Auch bei vorschriftsmäßiger Benutzung der Maschine bestehen die nachfolgend aufgeführten Restrisiken.

Verletzungsgefahr durch das frei laufende Schleifband im Arbeitsbereich.

Rückschlaggefahr. Das Werkstück wird vom sich bewegenden Schleifband erfasst und gegen den Bediener geschleudert.

Gefährdung durch wegfliegende Werkstücke.

Gefährdung durch Lärm und Staub.

Unbedingt persönliche Schutzausrüstungen wie Augen-, Gehör- und Staubschutz tragen.

Eine geeignete Absauganlage einsetzen!

Gefährdung durch schadhafte Schleifband.

Gefährdung durch Strom, bei nicht ordnungsgemäßer Verkabelung.

4. Maschinenspezifikationen

4.1 Technische Daten

Schleifband (BxL)	150x2260mm
Auflagetisch (LxB)	810x180mm
Schwenkbereich	90°
Bandgeschwindigkeit	17m/sec
Absauganschluss Durchmesser	100mm
Absaugvolumenstrom bei 20 m/sec	560m ³ /h
Maschinenabmessungen (LxBxH)	1150x460x960mm
Maschinengewicht	110 kg
Netzanschluss	1~230V, PE, 50Hz
Abgabeleistung	1,1 kW (1,5 PS) S1
Betriebsstrom	9A
Anschlussleitung (H07RN-F)	3x1,5mm ²
Bauseitige Absicherung	16A
Netzanschluss	3~400V, PE, 50Hz
Abgabeleistung	1,5 kW (2 PS) S1
Betriebsstrom	3,5 A
Anschlussleitung (H07RN-F)	5x1,5mm ²
Bauseitige Absicherung	16A
Isolations Schutzklasse	I

4.2 Werkstückabmessungen

Horizontalschleifen mit Schleifstop:

Länge x Breite max. 830x140mm

90° Schleifen am Auflagetisch:

Länge x Breite max. 830x125mm

Hohlschleifen am Auslegertisch:

Schleifradius min. 55mm

4.3 Schallemission

Schalldruckpegel (nach EN ISO 11202):

Leerlauf LpA 72,7 dB(A)

Bearbeitung LpA 86,5 dB (A)

Die angegebenen Werte sind Emissionspegel und sind nicht notwendigerweise Pegel für sicheres Arbeiten.

Sie sollen dem Anwender eine Abschätzung der Gefährdung und des Risikos ermöglichen.

4.4 Lieferumfang

Geschlossener Untersatz
Auslegertisch
Horizontal Anschlag
Schleifstop
Gehrungsanschlag
1 Schleifband
Schleifband Schutzhaube
Rollenabdeckung
Bedienwerkzeug
Montagezubehör
Gebrauchsanleitung
Ersatzteilliste

5. Transport und Inbetriebnahme

5.1 Transport und Aufstellung

Zum Transport verwenden Sie einen handelsüblichen Stapler oder Hubwagen.

Sichern Sie die Maschine beim Transport gegen Umfallen. Die Aufstellung der Maschine sollte in geschlossenen Räumen erfolgen, tischlerübliche Bedingungen in der Werkstatt sind dabei ausreichend.

Die Aufstellfläche muss ausreichend eben und belastungsfähig sein. Die Maschine kann bei Bedarf auf der Aufstellfläche befestigt werden.

Aus verpackungstechnischen Gründen ist die Maschine nicht komplett montiert.

5.2 Montage

Wenn Sie beim Auspacken einen Transportschaden feststellen, benachrichtigen Sie umgehend Ihren Händler, nehmen Sie das Gerät nicht in Betrieb.

Entsorgen Sie die Verpackung bitte umweltgerecht.

Entfernen Sie das Rostschutzfett mit einem milden Lösungsmittel.

Untersatz Montage

Montieren Sie die vier GummifüÙe (A, Fig 1) auf die Untersatzseitenteile mittels der gemeinsam verpackten 4 Schrauben, 4 Scheiben und 4 Sechskantmuttern.

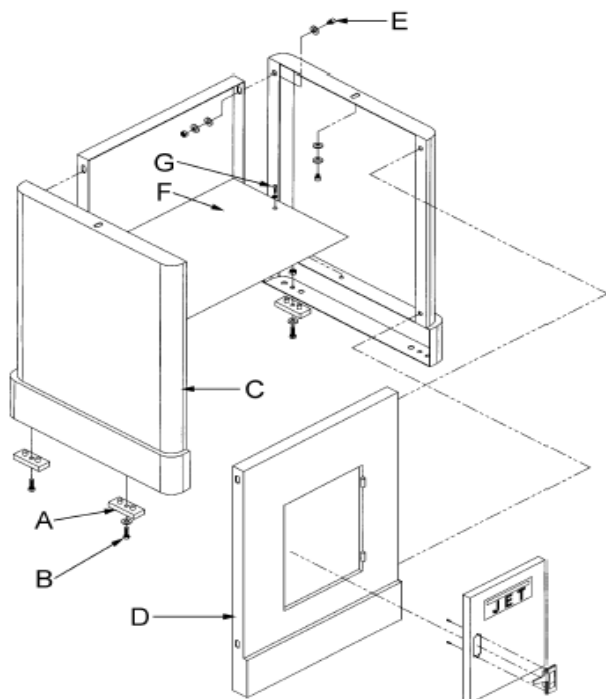


Fig 1

Verbinden Sie die Seitenteile (C, Fig 1) mit dem Frontblech (D) mittels 4 Sechskantschrauben, 8 Scheiben, 4 Federscheiben und 4 Sechskantmuttern (E).

Montieren Sie das Ablageblech (F) mit 2 Schrauben M5 (G) und 2 Federringen.

Montieren Sie das hintere Blech und sorgen Sie für eine gleichmäßige Bodenauflage, bevor Sie alle Schrauben festziehen.

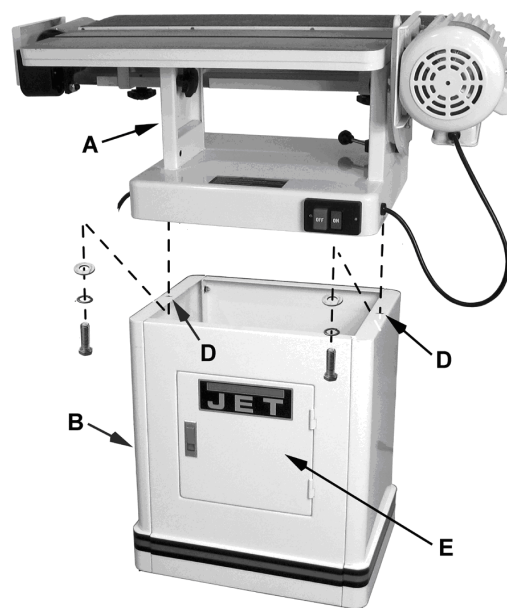


Fig 2

ACHTUNG:

Die Schleifeinheit (A) ist 85kg schwer! Seien Sie vorsichtig und verwenden Sie geeignete Hubmittel zum Aufsetzen (Fig 2).

Verschaffen Sie sich Zugang durch die Schranktür (E) und befestigen Sie die Schleifeinheit mittels 2 Sechskantschrauben und Scheiben (D).

Schleifband Montage

Lösen Sie die Schwenkklemmung (A, Fig 3) und stellen Sie die Schleifeinheit senkrecht.

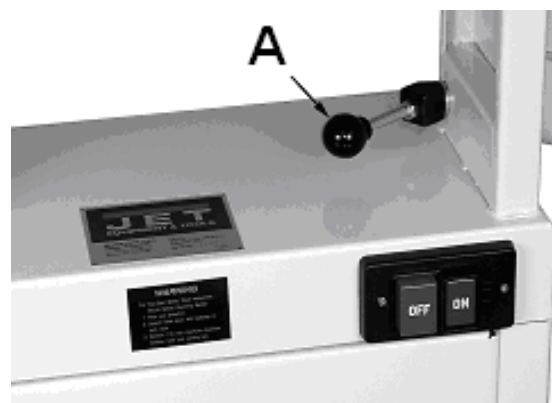


Fig 3

Entfernen Sie die Schleifband Schutzhauben (A, Fig 4) durch Lösen der Sterngriffe (B).

Entnehmen Sie das Schleifband und den Schleifstopp.

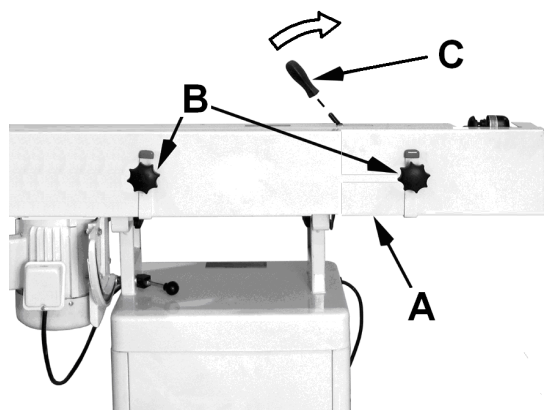


Fig 4

Stellen Sie den Bandspannhebel (C) in die entspannte Position.

Montieren Sie das Schleifband auf die Führungsrollen, dabei die am Schleifband angegebene Bandlaufrichtung beachten.

Spannen Sie das sauber aufgelegte Schleifband und prüfen Sie den Bandlauf durch Durchdrehen in Laufrichtung von Hand (bei erforderlicher Nachjustierung siehe Kapitel 8.1)

Auslegertisch Montage

Montieren Sie den Trägerarm des Auslegertisches (A, Fig 5) mit 4 Schrauben und 4 Scheiben (gemeinsam mit 3mm-Inbusschlüssel verpackt)

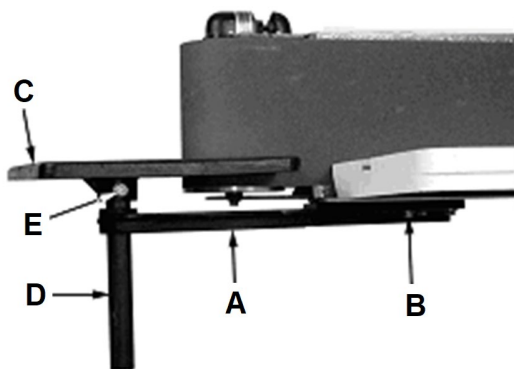


Fig 5

Montieren Sie die Säule (D) auf den Auslegertisch (C), dabei die Sechskantschraube (E) auf die Abflachung richten und mit Mutter sichern.

Klemmen Sie den Auslegertisch mit dem Sterngriff in Arbeitsposition fest.

Montieren Sie die Schleifband Schutzhaube !

5.3 Elektrischer Anschluss

Der kundenseitige Netzanschluss sowie die verwendeten Verlängerungsleitungen müssen den Vorschriften entsprechen. Die Netzspannung und Frequenz müssen mit den Leistungsschilddaten an der Maschine übereinstimmen.

Die bauliche Absicherung muss dabei 16A betragen.

Verwenden Sie nur Anschlussleitungen mit Kennzeichnung H07RN-F

Anschlüsse und Reparaturen der elektrischen Ausrüstung dürfen nur von einem Elektrofachkraft durchgeführt werden.

Bei Überlastung des Motors schaltet dieser selbsttätig ab.

Nach einer Abkühlzeit von ca. 5 Minuten lässt sich der Thermoschutzschalter am Motor Klemmenkasten wieder eindrücken.

Achtung: Die Maschine startet wenn Sie den Überlastschutztaster eindrücken! (nur 230V Variante).

5.4 Absaug Anschluss

Die Maschine muss vor der Inbetriebnahme an eine Absaugung angeschlossen werden und zwar derart, dass sich beim Einschalten der Schleifmaschine die Absaugung selbsttätig einschaltet.

Die Mindestluftgeschwindigkeit am Absaugstutzen muss 20 m/s betragen.

Absaugschläuche müssen der Qualität „schwer entflammbar“ entsprechen und in die Erdung der Maschine mit einbezogen werden.

5.5 Inbetriebnahme

Mit dem grünen Ein-Taster am Hauptschalter kann die Maschine gestartet werden: Mit dem roten Aus-Taster kann die Maschine stillgesetzt werden.

Starten Sie mehrmals kurzzeitig den Motor und beobachten Sie den Bandlauf (bei erforderlicher Nachjustierung siehe Kapitel 7.2)

6. Maschinenbetrieb

6.1 Horizontalschleifen

Stellen Sie dazu die Schleifeinheit horizontal. Entfernen Sie gegebenenfalls den Auslegertisch und schließen Sie die Rollenabdeckung.

Montieren Sie den Schleifstopp (C, Fig 7) und den Horizontal-Anschlag (A) mit den Sterngriffschrauben (B)

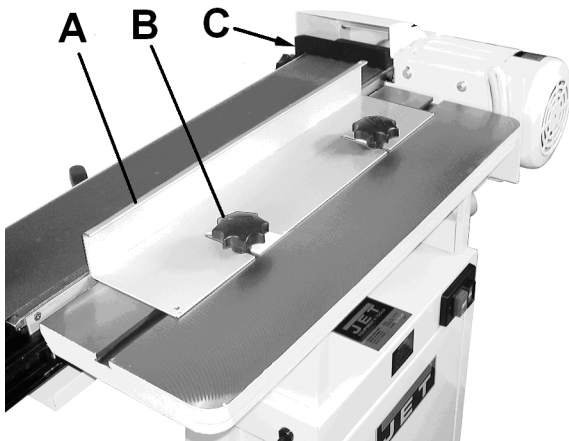


Fig 7

6.2 Vertikalschleifen

Stellen Sie dazu die Schleifeinheit (E, Fig 8) vertikal.

Entfernen Sie gegebenenfalls den Auslegertisch und schließen Sie die Rollenabdeckung.

Montieren Sie den Schleifstopp (C).

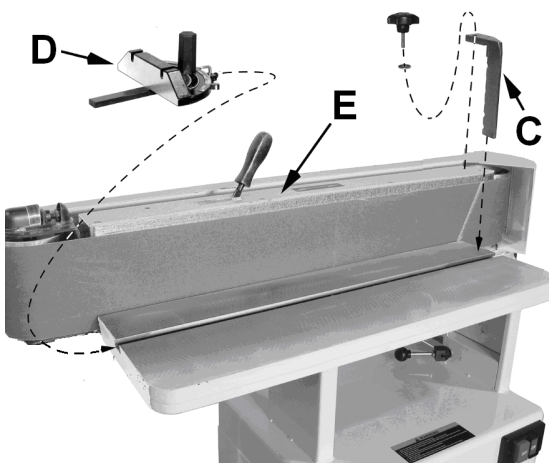


Fig 8

Der Schleifwinkel ist frei wählbar, für 90° ist ein einstellbarer Endanschlag vorhanden.

Der Gehrungsanschlag (D) kann eingesetzt werden.

Der Auflagetisch ist in der Höhe verstellbar (siehe Kapitel 7.5).

Fachtip: Mit leicht schräggestelltem Auflagetisch ergibt sich bei oszillierend in Schleifrichtung bewegtem Werkstück ein verbessertes Schleifbild.

6.3 Hohlschleifen

Entfernen Sie dazu die Rollenabdeckung. Montieren Sie den Auslegertisch (F) mit der Sterngriffschraube (G) in Arbeitsposition.

Montieren Sie den Absaugtrichter auf den Maschinentisch und schließen Sie die Absauganlage an.



Fig 9

Nach Beendigung des Hohlschleifens muss der Auslegertisch entfernt und die Rollenabdeckung wieder montiert werden.

7. Rüst- und Einstellarbeiten

Allgemeine Hinweise

Vor Rüst- und Einstellarbeiten muss die Maschine gegen Inbetriebnahme gesichert werden.

Netzstecker ziehen!

Prüfen Sie die freie Bewegung des Schleifbandes nach jedem Rüst- und Einstellvorgang.

7.1 Schleifband Wechsel

Die Stromzufuhr durch Ziehen des Netzsteckers trennen. Die Schleifeinheit in vertikale Stellung bringen.

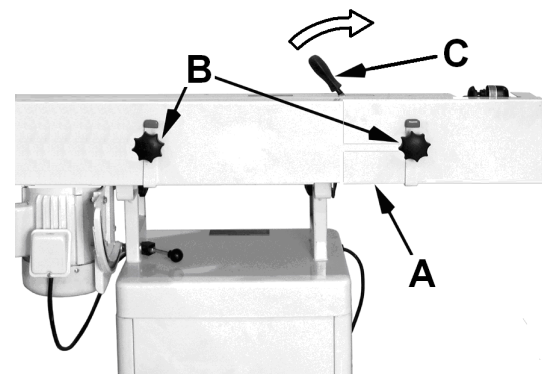


Fig 10

Die Sterngriffschrauben (B, Fig 10) lösen und die Schleifbandabdeckungen (A) entfernen.

Die Bandspannung mittels Hebel (C) lösen. Das Schleifband vorsichtig entnehmen.

Neues Schleifband auflegen, dabei auf angegebene Bandlaufrichtung achten.

Schleifband spannen.

Schutzabdeckungen wieder anbringen.

Hinweis: Schleifbänder dehnen sich im Betrieb, eine Nachjustierung des Bandlaufes kann erforderlich sein.

7.2 Bandlauf Einstellung

Die Stromzufuhr durch Ziehen des Netzsteckers trennen.

Schleifband von Hand in Laufrichtung bewegen. Das Schleifband soll mittig auf den Rollen laufen.

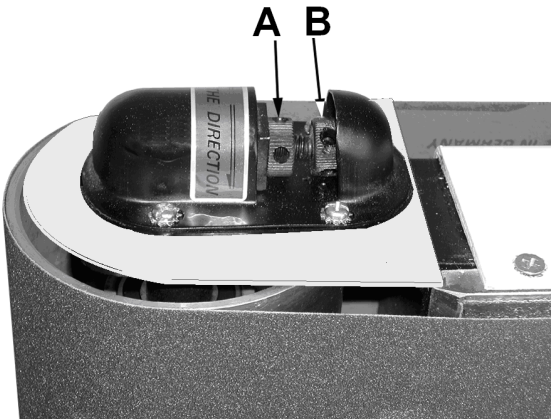


Fig 11

Die Kontermutter (A, Fig 11) lösen.

Der Bandlauf lässt sich mit der Feineinstellschraube (B) korrigieren.

Die Kontermutter wieder festziehen.

Den Motor mehrfach kurzzeitig starten und den Bandlauf kontrollieren.

7.3 Schwenkwinkel Einstellung

Die Stromzufuhr durch Ziehen des Netzsteckers trennen.

Klemmgriff (A, Fig. 12) lösen.

Schleifeinheit in vertikale Position schwenken.

90° Winkel zwischen Tisch und Schleifband kontrollieren und gegebenenfalls die 2 Anschlagschrauben auf der Maschinenrückseite nachjustieren und kontern.

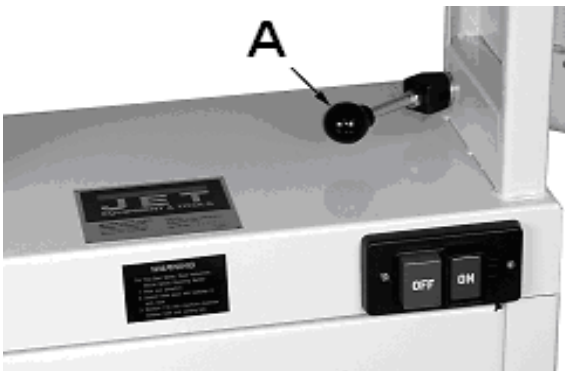


Fig 12

7.4 Schwenkklemmung

Die Stromzufuhr durch Ziehen des Netzsteckers trennen.

Die Klemmfunktion des Klemmhebels (A, Fig 13) ist justierbar. Dazu die Selbstsichernde Mutter (B) verstellen.

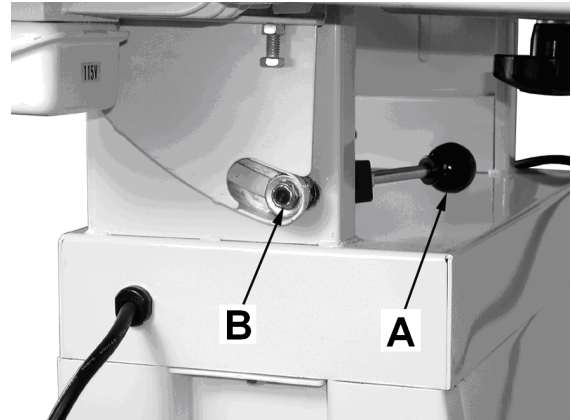


Fig 13

Die Schleifeinheit muss sicher in der festgeklemmten Position verbleiben.

7.5 Auflagetisch Einstellung

Der Auflagetisch ist in der Höhe verstellbar, um eine bessere Ausnutzung des Schleifbandes zu ermöglichen.

Die Stromzufuhr durch Ziehen des Netzsteckers trennen.

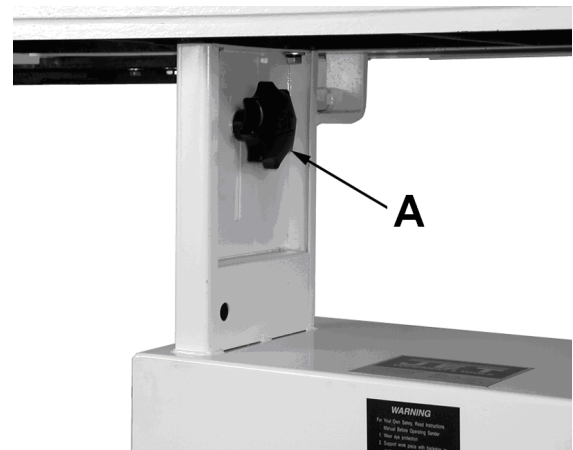


Fig 14

Sterngriffe (A, Fig. 14) lösen und Auflagetisch auf gewünschte Höhe anheben.

ACHTUNG:

Der Maschinentisch darf nicht unterhalb des Schleifbandes positioniert sein!

Es muss eine minimale Überlappung von 2mm zum Schleifband gegeben sein um ein Einklemmen von Werkstücken und Fingern zu vermeiden.

Hohes Verletzungsrisiko!

Sterngriffe festziehen.

7.6 Motormontage Einstellung

Die Motormontage ist werkseitig eingestellt. Bei Fehljustierung kann es zur Bandlaufabweichung kommen, welche sich über die normale Bandlaufjustierung nicht korrigieren lässt.

Die Stromzufuhr durch Ziehen des Netzsteckers trennen.

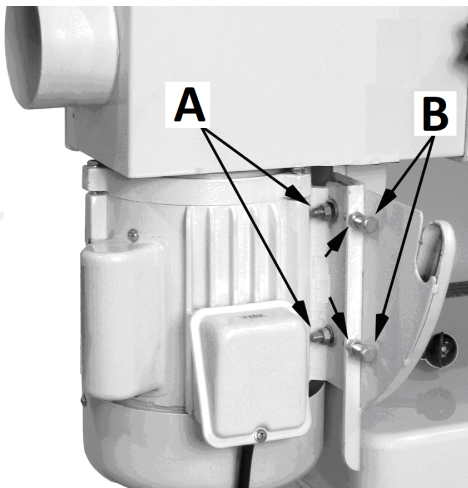


Fig 15

Bei leicht gelöster Motorklemmung (A, Fig 13) kann mit den Stellschrauben (B) der Bandlauf verändert werden.

8. Wartung und Inspektion

Allgemeine Hinweise

Vor Wartungs- Reinigungs- und Reparaturarbeiten muss die Maschine gegen Inbetriebnahme gesichert werden.

Netzstecker ziehen!

Kontrollieren Sie das Schleifband regelmäßig auf Fehler.

Tauschen Sie ein schadhafes Schleifband sofort aus

Kontrollieren Sie in regelmäßigen Abständen die korrekte Einstellung der Bandführung.

Entspannen Sie das Schleifband bei längeren Arbeitspausen.

Reinigen Sie die Maschine in regelmäßigen Zeitabständen.

Prüfen Sie täglich die ausreichende Funktion der Absaugung.

Beschädigte Sicherheitseinrichtungen sofort ersetzen.

Sämtliche Schutzeinrichtungen sofort wieder anbringen.

Anschlüsse und Reparaturen der elektrischen Ausrüstung dürfen nur von einer Elektrofachkraft durchgeführt werden.

9. Störungsabhilfe

Motor startet nicht

*Kein Strom-
Netzsicherung prüfen.

*Motor, Schalter oder Kabel defekt-
Elektrofachkraft kontaktieren.

*Überlastschutz hat reagiert-
Motor abkühlen lassen und Thermoschutzschalter wieder eindrücken.

Schleifband rutscht durch

*Schleifband ist gedehnt-
neues Schleifband auflegen.

*Anpressdruck zu kräftig-
Werkstück beim Arbeiten bewegen.

Starke Maschinenvibrationen

*Maschine steht uneben-
Ausgleich schaffen.

*Motormontage ist lose-
Motormontage nachziehen.

Schleifband reißt wiederholt

*Band falsch aufgelegt-
Bandlaufrichtung beachten.

Schleifwinkel nicht 90°

*Anschlag falsch eingestellt-
Anschlag nachjustieren.

Schleifbild ist schlecht

*Werkstück wurde nicht bewegt-
Werkstück bewegen.

*Falsche Schleifband Körnung-
grobe Körnung zum Schruppen, feine Körnung zum Schlichten.

*Anpressdruck zu hoch-
Bearbeitung nie erzwingen.

10. Umweltschutz

Schützen Sie die Umwelt!

Ihr Gerät enthält mehrere unterschiedliche, wiederverwertbare Werkstoffe.

Bitte entsorgen Sie es nur an einer spezialisierten Entsorgungsstelle.



Dieses Symbol verweist auf die getrennte Sammlung von Elektro- und Elektronikgeräten, gemäß Forderung der WEEE-Richtlinie (2012/19/EU). Diese Richtlinie ist nur innerhalb der Europäischen Union wirksam.

11. Verfügbares Zubehör

Artikel Nummer 60-0505

Schleifbandreinigungsstift

Artikel Nummer 708118

Fahreinrichtung bis 250kg

Für Schleifbänder in unterschiedlichen Körnungen siehe die TOOL FRANCE Preisliste.

FR - FRANCAIS

MODE D'EMPLOI

Cher client,

Nous vous remercions de la confiance que vous nous portez avec l'achat de votre nouvelle machine TOOL FRANCE. Ce manuel a été préparé pour l'opérateur de la ponceuse de bords TOOL FRANCE EHVS-80. Son but, mis à part le fonctionnement de la machine, est de contribuer à la sécurité par l'application des procédés corrects d'utilisation et de maintenance. Avant de mettre l'appareil en marche, lire les consignes de sécurité et de maintenance dans leur intégralité. Pour obtenir une longévité et fiabilité maximales, et pour contribuer à l'usage sûr de la machine, veuillez lire attentivement ce mode d'emploi et en suivre les instructions.

Table des Matières

1. Déclaration de conformité

2. Garantie du

3. Sécurité

Utilisation conforme

Consignes de sécurité

Risques

4. Spécifications

Description de la machine

Données techniques

Emission de bruit

Contenu de la livraison

5. Transport et montage

Transport

Montage

Raccordement au réseau électrique.

Raccordement collecteur de poussières

Mise en exploitation

6. Fonctionnement de la machine

Ponçage horizontal

Ponçage vertical

Ponçage des profils

7. Réglages

Changement de bande abrasive

Réglage du circuit de bande

Réglage d'inclinaison d'angle

Blocage d'angle

Réglage de la table

Réglage circuit du moteur

8. Entretien et inspection

9. Détecteur de pannes

10. Protection de l'environnement

11. Accessoires

1. Déclaration de conformité

Par le présent et sous notre responsabilité exclusive, nous déclarons que ce produit satisfait aux normes conformément aux lignes directrices indiquées page 2.

2. Garantie du

TOOL FRANCE garantit que le/les produit(s) fourni(s) est/sont exempt(s) de défauts matériels et de défauts de fabrication.

Cette garantie ne couvre pas les défauts, dommages et défaillances causés, directement ou indirectement, par l'utilisation incorrecte ou inadéquate, la négligence, les dommages accidentels, la réparation, la maintenance ou le nettoyage incorrects et l'usure normale.

Vous pouvez trouver de plus amples détails sur la garantie dans les conditions générales (CG).

Les CG peuvent être envoyées sur demande par poste ou par e-mail .

TOOL FRANCE se réserve le droit d'effectuer des changements sur le produit et les accessoires à tout moment.

3. Sécurité

3.1 Utilisation conforme

Cette ponceuse convient au ponçage du bois et des dérivés du bois. Le ponçage d'autres matériaux est interdit et ne peut être effectué que dans des cas spéciaux et après accord du fabricant de la machine.

La machine n'est pas conçue pour un ponçage à l'eau.

La pièce doit pouvoir être chargée, maintenue et guidée en toute sécurité.

L'utilisation conforme implique le strict respect des instructions de service et de maintenance indiquées dans ce manuel.

La machine doit être exclusivement utilisée par des personnes familiarisées avec le fonctionnement, la maintenance et la remise en état, et qui sont informées des dangers correspondants.

L'âge requis par la loi est à respecter.

Toutes les directives relatives à la prévention des accidents ainsi que les consignes de sécurité doivent être respectées scrupuleusement.

En cas d'utilisation non-conforme de la machine, le fabricant décline toute responsabilité qui est en tel cas rejetée exclusivement sur l'utilisateur.

3.2 Consignes de sécurité

L'utilisation non-conforme d'une ponceuse peut être très dangereux.



C'est pourquoi vous devez lire attentivement ce mode d'emploi avant de monter ou d'utiliser votre appareil.



Conserver à proximité de la machine tous les documents fournis avec l'outillage (dans une pochette en plastique, à l'abri de la poussière, de l'huile et de l'humidité) et veiller à joindre cette documentation si vous cédez l'appareil.

Ne pas effectuer de modification à la machine. Utiliser les accessoires recommandés, des accessoires incorrects peuvent être dangereux.

Contrôler chaque jour avant d'utiliser la machine les dispositifs de protection et le fonctionnement impeccable.

En cas de défauts à la machine ou aux dispositifs de protection avertir les personnes compétentes et ne pas utiliser la machine. Déconnecter la machine du réseau.

Avant de mettre la machine en marche, retirer cravate, bagues, montres ou autres bijoux et retrousser les manches jusqu'aux coudes. Enlever tout vêtement flottant et nouer les cheveux longs.

Porter des chaussures de sécurité, surtout pas de tenue de loisirs ou de sandales.

Porter un équipement de sécurité personnel pour travailler à la machine.

- des lunettes protectrices,
- une protection acoustique
- une masque anti poussières.



Ne pas porter de gants.



Placer la machine de sorte à laisser un espace suffisant pour la manœuvre et le guidage des pièces à usiner.

Veiller à un éclairage suffisant.

Placer la machine sur un sol stable et plat.

S'assurer que le câble d'alimentation ne gêne pas le travail ni risque de faire trébucher l'opérateur.

Conserver le sol autour de la machine propre, sans déchets, huile ou graisse.

Prêter une grande attention à votre travail et rester concentré.

Ne pas travailler sous l'influence de drogues, d'alcool ou de médicaments.



Eviter toute position corporelle anormale.

Veiller à une position stable et garder un bon équilibre à tout moment.

Ne jamais mettre la main dans la machine pendant le travail.



Eloigner de la machine toutes personnes incompetentes surtout les enfants.

Ne jamais laisser la machine en marche sans surveillance. Arrêter la machine avant de quitter la zone de travail.

Ne pas mettre la machine à proximité de liquides ou de gaz inflammables.

Tenir compte des possibilités de prévention et de lutte d'incendie, par ex. lieu et utilisation des extincteurs.

Préserver la machine de l'humidité et ne jamais l'exposer à la pluie.

Utiliser un collecteur de poussières afin d'éviter une production de poussières trop élevée.

La poussière de bois est explosive et peut être nocive pour la santé.

Les poussières de certains bois exotiques et de bois durs, tels que le hêtre et le chêne sont classées comme étant cancérigènes.

Retirer les clous et autres corps étrangers de la pièce avant de débiter l'usage.

Bien tenir et guider toutes les pièces à usiner.

Usiner que des pièces qui se laissent bien placer sur la table.

Ne jamais mettre la machine en service sans les dispositifs de protection – risque de blessures graves!

Se tenir aux spécifications concernant la dimension maximale ou minimale de la pièce à usiner.

Ne pas enlever les copeaux et les pièces usinées avant que la machine ne soit à l'arrêt.

Ne pas se mettre sur la machine.

Tous les travaux de branchement et de réparation sur l'installation électrique doivent être exécutés uniquement par un électricien qualifié.



Remplacer immédiatement tout câble endommagé ou usé.

Faire tous les travaux de réglage ou de maintenance seulement après avoir débranché la machine du réseau.



Remplacer immédiatement toute bande abrasive déchirée ou usée.

3.3 Risques

Même en respectant les directives et les consignes de sécurité existe les risques suivants.

Risques de blessures par bande abrasive en travaillant sans protecteurs.

La pièce se fait accrocher par la bande abrasive et éjectée contre l'utilisateur.

Danger de pièces éjectées.

Risque de santé par poussières de bois, copeaux et bruit. Porter équipement de sécurité personnel tel que lunettes, cache-visage pour travailler à la machine.

Utiliser un collecteur de poussières!

Danger de bande abrasive déchirée ou usée.

Danger par câble électrique endommagé, usé ou mal branché

4. Spécifications

4.1 Indications techniques

Dim bande abrasive	150x2260mm
Dimensions de table	810x180mm
Inclinaison de table	90°
Vitesse de bande	17m/sec
Diamètre de chute de poussière	100mm
Volume d'air à 20 m/sec	560m ³ /h
Dimensions de la machine (LxIxH)	1150x460x960mm
Poids net (env.)	110 kg
Voltage	1~230V, PE, 50Hz
Puissance	1,1 kW (1,5 CV) S1
Courant électrique	9A
Raccordement (H07RN-F)	3x1,5mm ²
Fusible du secteur électrique	16A
Voltage	3~400V, PE, 50Hz
Puissance	1,5 kW (2 CV) S1
Courant électrique	3,5 A
Raccordement (H07RN-F)	5x1,5mm ²
Fusible du secteur électrique	16A
Classe d'isolation	I

4.2 Dimensions des pièces à usiner

Ponçage horizontal avec plot de repos:
longueur x largeur max. 830x140mm

Ponçage 90° à la table de rallonge:
longueur x largeur max. 830x 125mm

Ponçage de profilles:
Rayon de ponçage min. 55mm

4.3 Emission de bruit

Niveau de pression sonore (selon EN ISO 11202):

Marche à vide LpA 72,7 dB(A)

Usinage LpA 86,5 dB(A)

Les indications données sont des niveaux de bruit et ne sont pas forcément les niveaux pour un travail sûr.

Ainsi l'utilisateur doit estimer les dangers et les risques possibles.

4.4 Contenu de la livraison

Support de la machine
Table de rallonge
Butée horizontale
Plot de repos
Guide d'onglet
1 bande abrasive
Protecteur de la bande abrasive
Carter du rouleau
Outils de travail
Clé de réglage
Accessoires pour le montage
Mode d'emploi
Liste pièces de rechange

5. Transport et mise en exploitation

5.1 Transport

Pour le transport utiliser un chariot élévateur.

Transporter la machine de manière qu'elle ne puisse pas tomber.

Effectuer le montage de la machine dans un local fermé ou un atelier respectant les conditions de menuiserie.

Placer la machine sur une surface stable et plane. La machine peut aussi être fixée à la surface.

Pour des raisons techniques d'emballage la machine n'est pas complètement montée à la livraison.

5.2 Montage

Avertir TOOL FRANCE immédiatement si vous constatez des pièces endommagées par le transport et ne montre pas la machine.

Éliminer l'emballage en respectant l'environnement.

Enlever la protection antirouille avec un dissolvant.

Assemblage du bâti

Fixer les quatre tampons en caoutchouc (A, Fig.1) en bas des panneaux latéraux avec les 4 vis, 4 rondelles plates et 4 écrous hex qui se trouvent dans le sachet avec les tampons.

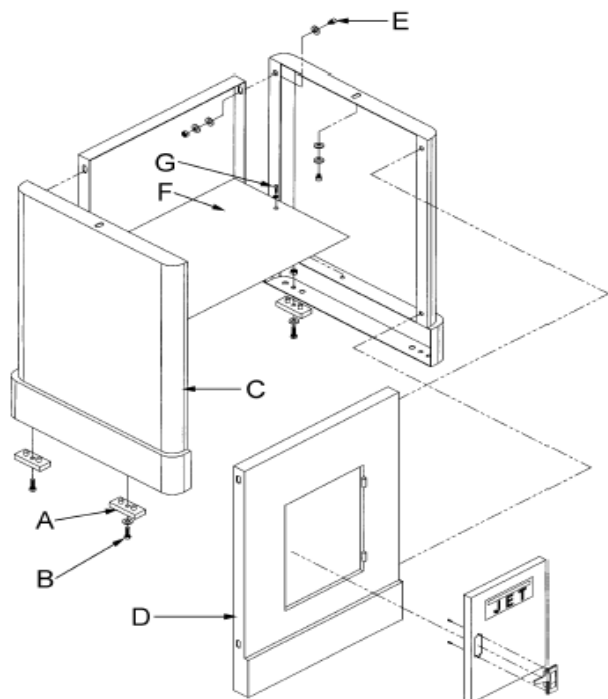


Fig 1

Fixer les panneaux latéraux (C, Fig 1) au panneau frontal (D, Fig 1) avec 4 vis borgnes, 8 rondelles plates, 4 rondelles d'arrêt et 4 écrous hex (E, Fig 1).

Fixer la plaque de métal (F, Fig 1) avec 2 vis M5 (G, Fig 1) et 2 rondelles plates.

Monter le support en fixant le panneau arrière aux panneaux latéraux.

S'assurer que le support est stable et sur une surface plane avant de fixer les vis.

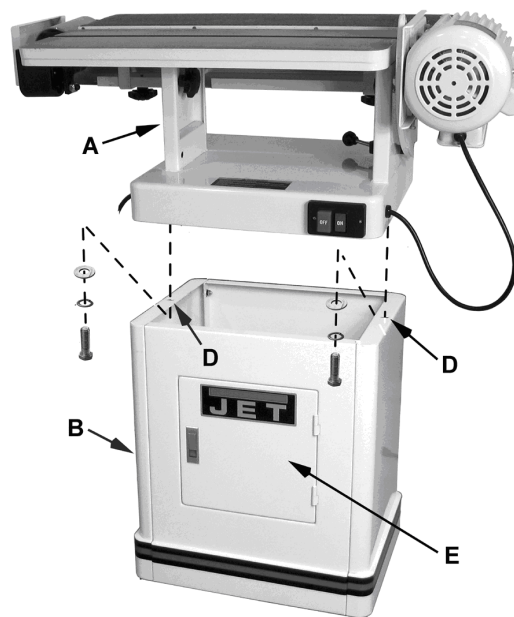


Fig 2

ATTENTION:

Le corps de la machine (A) est lourd – 85kg.

Être très prudent et utiliser un dispositif de levage adéquat pour poser la machine sur le support (Fig 2).

Accéder par la porte du support (E) et fixer l'unité de ponçage avec 2 vis borgnes et 2 rondelles (D).

Montage de la bande abrasive

Tirer la vis moletée pour débloquer le support (A, Fig 3), incliner le support de ponçage en position verticale.

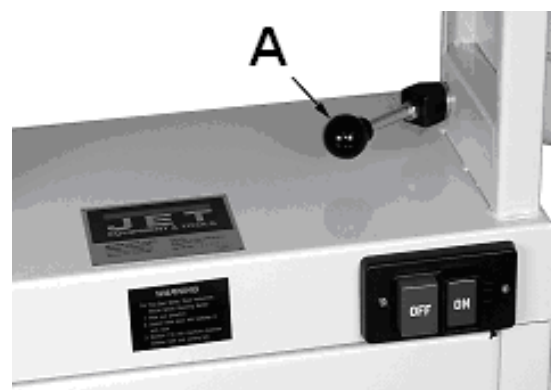


Fig 3

Retirer le carter de la bande (A, Fig 4) en dévissant les deux boutons (B).

Enlever la bande abrasive et le guide parallèle.

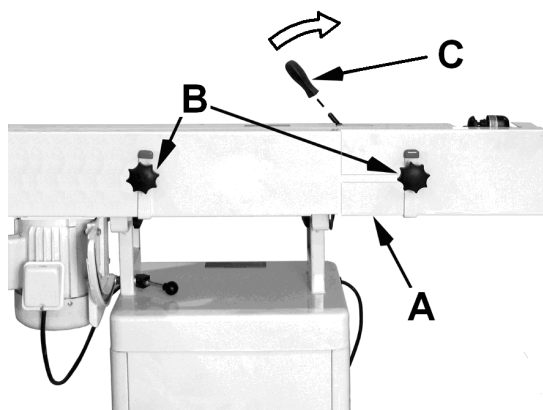


Fig 4

Placer la manette (C) en position relâchée.

Monter la bande abrasive sur le rouleau de guidage, tout en tenant compte du sens de rotation indiqué de la bande.

Bien poser la bande à plat, la tendre et en contrôler le circuit en tournant à la main dans le sens de rotation (pour un éventuel ajustage, voir chapitre 8.1).

Montage de la table latérale auxiliaire

Attacher le bras de rallonge (A, Fig 5) en utilisant 4 vis borgnes et 4 rondelles plates (le matériel se trouve dans le paquet contenant la clé hex. 3mm)

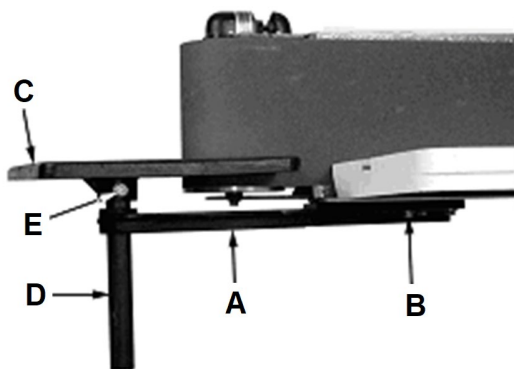


Fig 5

Fixer la barre de support (D) sur la table de rallonge (C) en serrant le boulon à tête hex. (E) contre le plat de la barre de support. Serrer le contre-écrou.

Lever la table à la bonne hauteur et serrer 2 vis sans tête sur le bras. Une petite console d'assemblage s'attache sur l'arrière du bras de rallonge fixé par 2 boulons et rondelles.

Monter le protecteur de la bande!

5.3 Raccordement au réseau électrique

Le raccordement ainsi que les rallonges utilisées doivent correspondre aux instructions. Le voltage et la fréquence doivent être conformes aux données inscrites sur la machine.

Le fusible de secteur électrique doit avoir 16A. Utiliser pour le raccordement des câbles H07RN-F.

Tous travaux de branchement et de réparation sur l'installation électrique doivent être exécutés uniquement par un électricien qualifié.

En cas de surcharge du moteur celui-ci s'arrête automatiquement.

Après un refroidissement d'env. 5 minutes presser l'interrupteur de garde thermique du moteur.

Attention: La machine se met en route quand vous pressez le protecteur de surcharge! (seulement 230V Variante)

5.4 Raccordement au collecteur de poussières

Avant la mise en exploitation connecter la machine à un collecteur de poussières de manière que le collecteur se mette en marche automatiquement avec votre ponceuse.

Vitesse minimale de l'aspiration 20 m/s.

N'utiliser que des tuyaux d'aspiration de la qualité „difficilement inflammable“ et intégrer les tuyaux dans la mise à la terre de la machine.

5.5 Mise en exploitation

Mettre la machine en route avec le bouton vert sur l'interrupteur principal.

Arrêter la machine avec le bouton rouge.

Après le raccordement au réseau, mettre la machine en route juste pour démarrer la rotation de la bande ensuite arrêter. Répéter plusieurs fois cette opération et observer le circuit de la bande (si un réglage est nécessaire voir 7.2)

6. Fonctionnement de la machine

6.1 Ponçage horizontal

Monter le support de ponçage en position horizontale.

Au besoin, retirer la table latérale et installer le carter du rouleau.

Monter le stopper de ponçage (C, Fig 7) et la butée horizontale (A) avec les poignées étoile (B)

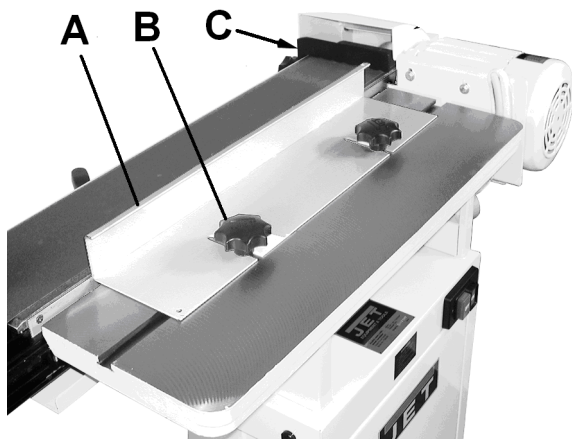


Fig 7

6.2 Ponçage vertical

Monter le support de ponçage (E, Fig 8) en position verticale.

Au besoin, retirer la table latérale et refermer le carter du rouleau.

Monter le plot de repos (C).

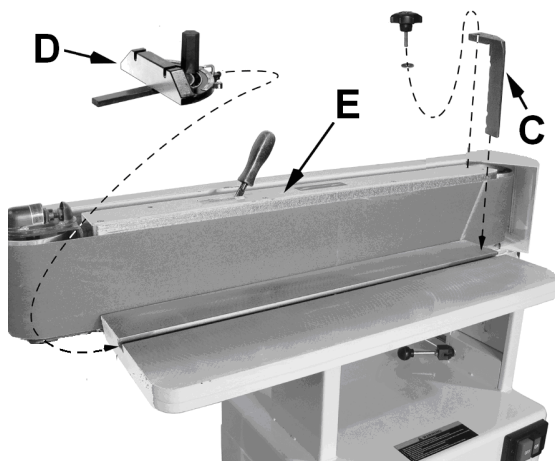


Fig 8

L'angle de ponçage peut être choisi librement. La butée de fin de course réglable est prévue pour la position à 90°.

Il est possible d'utiliser le guide d'onglet (D).

La table auxiliaire est réglable en hauteur (voir chapitre 7.5).

Conseil professionnel : En positionnant la table auxiliaire légèrement en biais, on obtient une meilleure finition de travail par oscillations si la pièce est menée dans le sens du ponçage.

6.3 Ponçage des surfaces concaves

Retirer le carter du rouleau.

Monter la table auxiliaire (F, Fig 9) en position de travail avec la vis moletée (G).



Fig 9

Après l'usage retirer la table latérale auxiliaire et remplacer le carter.

7. Réglages

ATTENTION:

Faire tous les travaux de maintenance ou de réglage après avoir débranché la machine du réseau.

Contrôler le circuit et le mouvement intact de la bande abrasive après chaque travail de maintenance ou de réglage.

7.1 Changer la bande abrasive

Déconnecter la machine du réseau.

Monter le support de ponçage dans la position verticale.

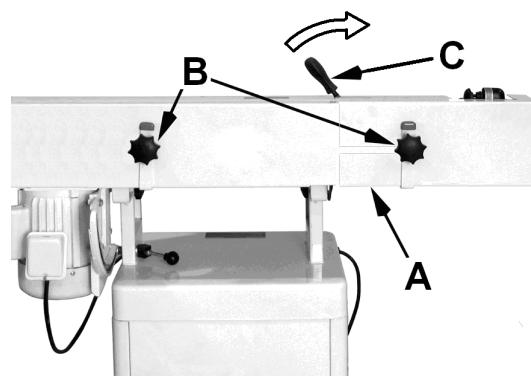


Fig 10

Desserrer les vis moletées (B, Fig 10) et retirer le carter de la bande (A).

Relâcher la tension de la bande en poussant la manette (C).

Retirer avec précaution la bande usée.

Placer la nouvelle bande, s'assurer que le sens de la flèche sur la bande corresponde à l'indicateur de direction sur le carter.

Tendre la bande.

Remonter le carter de la bande.

Remarque:

Les bandes abrasives se détendent en fonctionnant, un ajustage peut être nécessaire.

7.2 Réglage du circuit de la bande

Déconnecter la machine du réseau. Tirer la bande à la main dans le sens indiqué sur le carter de la bande. La bande doit circuler au centre du rouleau.

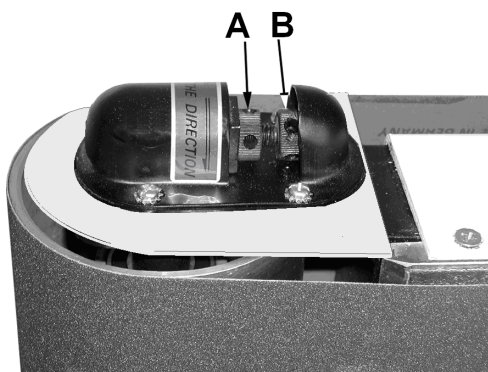


Fig 11

Desserrer le contre-écrou (A, Fig 11).

Maintenant il est possible de corriger le circuit à l'aide de la vis de micro réglage (B).

Resserrer le contre-écrou.

Mettre plusieurs fois le moteur en marche par à-coups afin de contrôler le circuit de la bande.

7.3 Réglage d'angle

Déconnecter la machine du réseau.

Desserrer la manette (A, Fig 12).

Monter le support de ponçage en position verticale.

Contrôler que l'angle entre la table et la bande soit à 90° et au besoin, réajuster avec les deux vis de butée se trouvant sur l'arrière de la machine et cloquer par contre-écrou.

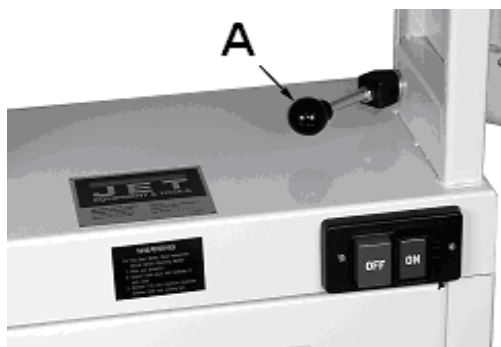


Fig 12

7.4 Blocage d'angle

Déconnecter la machine du réseau.

La fonction de la manette de blocage (A, Fig 13) est réglable. Pour cela régler l'écrou autobloquant (B).

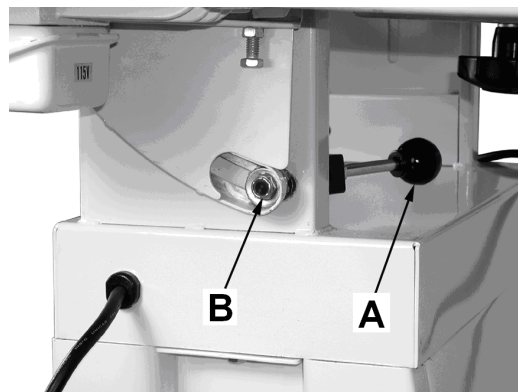


Fig 13

L'unité de ponçage doit rester dans la position fixée.

7.5 Réglage de la table

La table est réglable en hauteur pour atteindre une meilleure efficacité de la bande abrasive.

Déconnecter la machine du réseau.

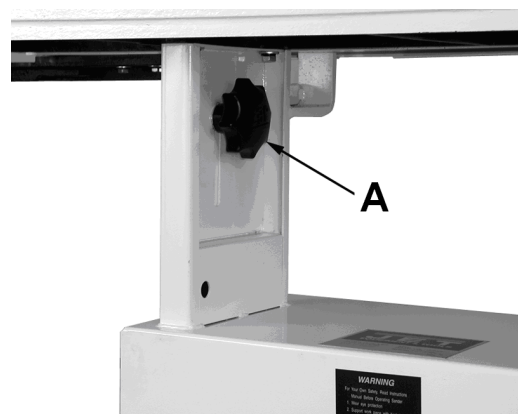


Fig 14

Desserrer le bouton de verrouillage (A, Fig 14) et élever la table de travail au niveau désiré.

ATTENTION:

Ne pas positionner la table en dessous de la bande abrasive!

Afin d'éviter que les doigts ou la pièce ne passe dans l'interstice, il faut que la bande et la table se superposent sur 2 mm.

Risque de blessures graves!

Resserrer le bouton de verrouillage.

7.6 Réglage du circuit du moteur

Le montage exact du moteur est réglé au départ usine. Un dérèglement peut conduire à une déviation du circuit de la bande qui ne peut être corrigée par le réajustement normal du circuit.

Déconnecter la machine du réseau.

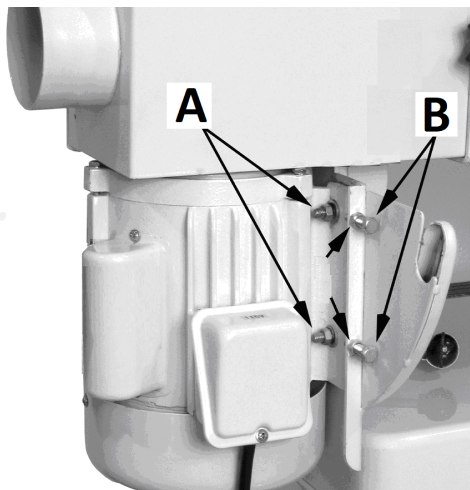


Fig 15

Desserrer légèrement le blocage du moteur (A, Fig 15) et changer l'alignement de la bande avec les boulons de réglage (B).

8. Entretien et inspection

ATTENTION:

Faire tous les travaux de maintenance, réglage ou nettoyage après avoir débranché la machine du réseau!

Contrôler régulièrement la bande abrasive. Remplacer immédiatement toute bande déchirée ou usée.

Contrôler régulièrement le circuit de la bande abrasive.

Relâcher la tension de la bande abrasive si la machine n'est pas utilisée pendant un certain temps.

Nettoyer la machine régulièrement.

Vérifier chaque jour le fonctionnement impeccable du collecteur de poussières.

Remplacer immédiatement toutes pièces endommagées ou usées.

Réinstaller les dispositifs de protection immédiatement.

Tous travaux de branchement et de réparation sur l'installation électrique doivent être exécutés uniquement par un électricien qualifié.

9. Détecteur de pannes

Moteur ne se met pas en route

*Pas de courant-
Vérifier le voltage.

*Défaut au moteur, bouton ou câble-
Contacter un électricien qualifié.

*Réaction de surcharge-
Après un refroidissement presser l'interrupteur de garde thermique du moteur.

Bande abrasive glisse

*Bande abrasive trop tendue-
Changer de bande.

*Trop de pression sur la pièce-
Bouger la pièce à usiner en travaillant.

Vibration violente de la machine

*La machine n'est pas sur un sol plat-
Repositionner la machine.

*Montage du moteur trop lâche-
Resserrer le montage du moteur.

Bande se déchire plusieurs fois

*Mauvais montage de la bande-
Vérifier le circuit et le sens de la bande.

Equerre de ponçage pas 90°

*Mauvais réglage du guide-
Ajuster le guide.

Résultat de ponçage insuffisant

*Pièce à usiner n'est pas bougée-
Mener la pièce en travaillant.

*Grain de bande pas adapté-
Grain gros pour brosser, grain fin pour aiguïser.

*Trop de pression sur la pièce-
Ne jamais forcer sur le travail.

10. Protection de l'environnement

Protégez l'environnement !

Votre appareil comprend plusieurs matières premières différentes et recyclables. Pour éliminer l'appareil usagé, veuillez l'apporter dans un centre spécialisé de recyclage des appareils électriques.



Ce symbole indique une collecte séparée des équipements électriques et électroniques conformément à la directive DEEE (2012/19/UE). Cette directive n'est efficace que dans l'Union européenne.

11. Accessoires

Numéro d'article 60-0505

Bâton de nettoyage

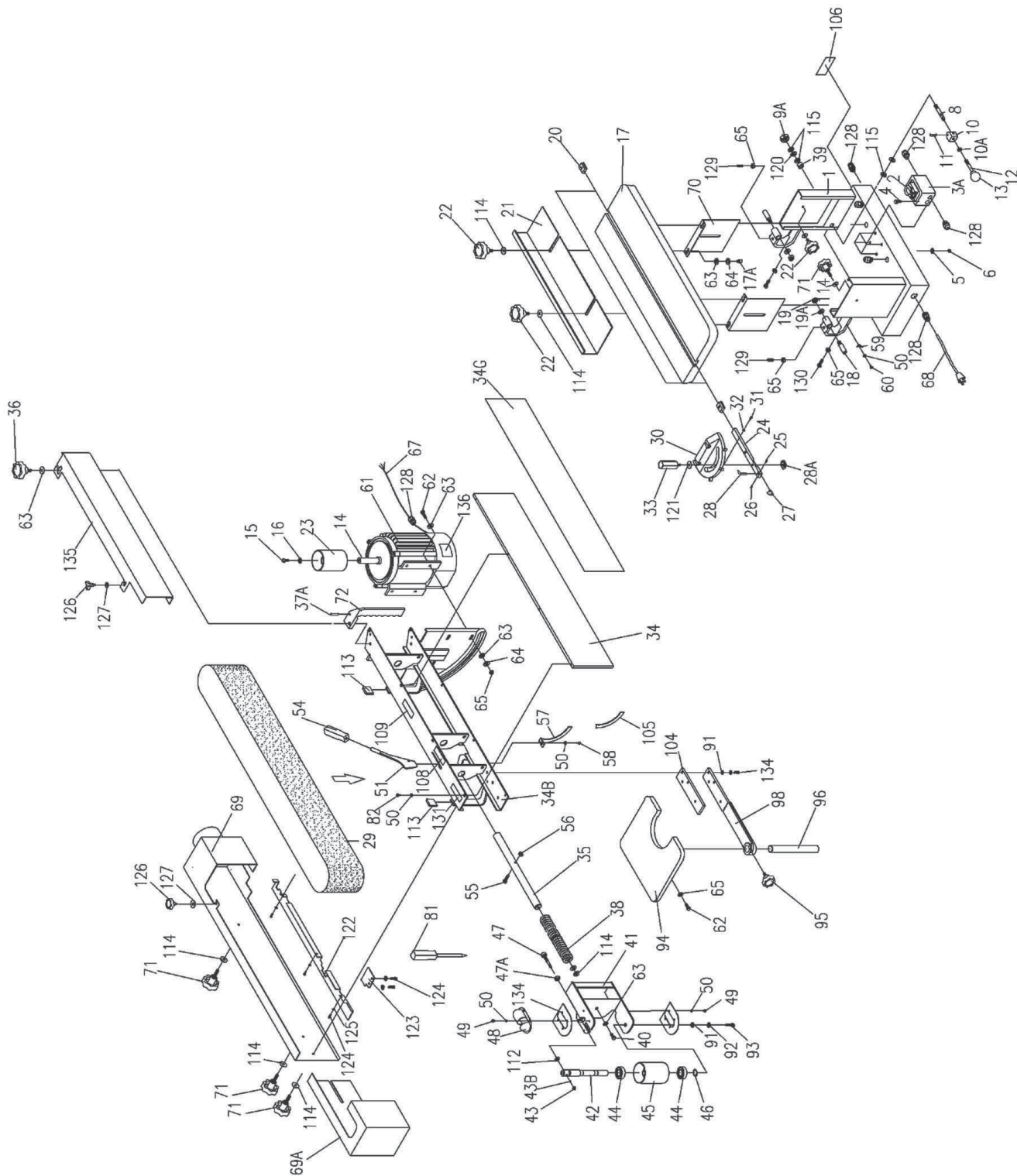
Numéro d'article 708118

Dispositif roulant, jusqu'à 250kg

Pour bandes abrasives de divers grains voir liste de prix
TOOL FRANCE.

EXPLOSION DRAWING / ERSATZTEILZEICHNUNG / VUE ÉCLATÉE

EHVS-80



PART LIST / ERSATZTEILLISTE / LISTE DES PIÈCES DÉTACHÉES

EHVS-80

Index No.	Part No.	Description	Size	Qty.
1	EHVS80CS-01E	Base / Basis / Base		1
2	994532E	Switch contactor / Schaltschütz / Contacteur d'interrupteur	KJD-12	1
	EHVS80-AE	Switch contactor / Schaltschütz / Contacteur d'interrupteur	KJD-18	1
3A	EHVS80-02BE	Switch Box Assembly / Schaltkasten-Baugruppe / Assemblage du boîtier d'interrupteur		1
	EHVS80-02BAE	Switch Box Assembly / Schaltkasten-Baugruppe / Assemblage du boîtier d'interrupteur		1
4	EHVS80-04	Pan Head Screw / Flachkopfschraube / Vis à tête cylindrique	3/16"x1-1/2"	4
5	EHVS80-05A	External Tooth Lock Washer / Außenverzahnte Unterlegscheibe / Rondelle frein à denture externe	3/16"	4
6	EHVS80-06	Nut / Mutter / Ecrou	3/16"	4
8	EHVS80-08	Work Table Bar / Arbeitstischstange / Barre de la table de travail		1
9A	EHVS80-09A	Nylon Nut / Nylonmutter / Écrou en nylon	3/8"	1
10A	TS-0561031	Hex Nut / Sechskantmutter / Écrou hexagonal	3/8"	1
10	EHVS80-10	Locking Block / Verriegelungsblock / Bloc de verrouillage		1
11	EHVS80-11	Spring Pin / Federstift / Goupille à ressort	M4	1
12	EHVS80-12	Lock Handle / Verriegelungsgriff / Poignée de verrouillage		1
13	10102023A	Knob / Knopf / Bouton		1
	EHVS80-12A	Lock Handle Assembly / Baugruppe Schlossgriff / Assemblage de la poignée de verrouillage		1
14	S0430525	Key / Schlüssel / Clé	5x5x25	1
15	EHVS80-15	Hex Cap Bolt / Sechskantschraube / Boulon à tête hexagonale	1/4"x3/4"	1
16	TS-0561011	Washer / Unterlegscheibe / Rondelle	1/4"	1
17	EHVS80-17	Table / Tabelle / Tableau		1
17A	EHVS80-17A	Hex Cap Bolt / Sechskantschraube / Boulon à tête hexagonale	5/16"x5/8"	4
18	EHVS80-18	Screw / Schraube / Vis	M10	2
19	TS-1540073	Hex Nut / Sechskantmutter / Écrou hexagonal	M10	2
19A	TS-0720091	Lock Washer / Sicherungsscheibe / Rondelle frein	3/8"	2
20	EHVS80-20	Guide Block / Führungsblock / Bloc de guidage		2
21	EHVS80-21	Fence / Anschlag / Barrière		1
22	EHVS80-22A	Knob / Knopf / Bouton	M8x12mm	3
23	EHVS80-23	Motor Roller / Motorrolle / Rouleau du moteur		1
24	EHVS80-24	Guide Bar / Führungsstange / Barre de guidage		1
25	S0310306	Pin / Stift / Goupille	M3	1
26	EHVS80-26	Set Screw / Stellschraube / Vis de réglage	1/4"x1/4"	1
27	EHVS80-27	Location Plate / Aufnahmeplatte / Plaque d'emplacement		1
28	EHVS80-28	Pointer / Zeiger / Pointeur		1
28A	EHVS80-28A	Locating Block / Zentrierklotz / Bloc de positionnement		1
29	See Next Page	Sanding Belt / Schleifband / Bande abrasive	6"x89"	1
30	10104046	Miter Gauge Body / Gehäuse des Gehrungsmessers / Corps de la jauge d'onglet		1
	EHVS80-MG	Miter Gauge Assembly / Baugruppe Gehrungslehre / Assemblage de la jauge d'onglet		
31	S0030108	Round Head Screw / Rundkopfschraube / Vis à tête ronde	5/32"x5/8"	3
32	EHVS80-32	Nut / Mutter / Écrou	5/32"	3
33	EHVS80-33	Knob / Knopf / Bouton		1
34	20101048	Platen / Aufspannplatte / Platine		1
34G	EHVS80-34G	Graphite / Graphit / Graphite		1

PART LIST / ERSATZTEILLISTE / LISTE DES PIÈCES DÉTACHÉES

EHVS-80

Index No.	Part No.	Description	Size	Qty.
34B	EHVS80-34BE	Side Plate / Seitenplatte / Plaque latérale		1
	TS-0051061	Hex Cap Bolt (motor plate – not shown) / Sechskantschraube (Motorplatte - nicht abgebildet) / Boulon à tête hexagonale (plaque du moteur - non illustré)	5/16"x1-1/4"	2
	TS-0561021	Hex Nut (motor plate – not shown) / Sechskantmutter (Motorplatte - nicht abgebildet) / Écrou hexagonal (plaque du moteur - non illustré)	5/16"	2
35	EHVS80-35	Tension Bar / Spannstange / Barre de tension		1
36	EHVS80-36A	Knob / Knopf / Bouton	M8x35mm	1
37A	EHVS80-37A	Pin / Stift / Goupille	M6x40mm	1
38	EHVS80-38	Spring / Feder / Ressort		1
39	EHVS80-39A	Spacer / Abstandshalter / Entretoise		1
40	EHVS80-40	Hex Cap Bolt / Sechskantschraube / Boulon à tête hexagonale	5/16"x1"	1
41	EHVS80-41E	Roller Arm / Rollenarm / Bras du rouleau		1
42	EHVS80-42	Shaft / Welle / Arbre		1
43	EHVS80-43	Nut / Mutter / Ecrou	1/4"	1
43B	TS-0267051	Set Screw / Set-Schraube / Vis de réglage		1
44	BB-6004ZZ	Ball Bearing / Kugellager / Roulement à billes	6004ZZ	2
45	EHVS80-45	Driven Roller / Angetriebene Rolle / Rouleau entraîné		1
46	EHVS80-46	Spring Ring / Federring / Anneau à ressort	STW-19	1
47	EHVS80-47	Micro-Adjusting Screw / Mikro-Justierschraube / Micro-vis de réglage		1
47A	EHVS80-47A	Adjusting-Adjusting Nut / AEinstellmutter / Acrou de réglage		1
48	EHVS80-48	Protective Cover / Schutzabdeckung / Couvercle de protection		1
49	S0030304	Round Head Screw / Rundkopfschraube / Vis à tête ronde	3/16"x3/8"	8
50	EHVS80-50	Star Washer / Sternförmige Unterlegscheibe / Rondelle en étoile	3/16"	19
51	EHVS80-51	Belt Tensioning Arm / Gurtspannarm / Bras de tension de la courroie		1
54	EHVS80-54	Handle / Handgriff / Poignée		1
55	TS-0051081	Hex Cap Bolt / Sechskantschraube / Boulon à tête hexagonale	5/16"x1-3/4"	1
56	TS-0561021	Hex Nut / Sechskantmutter / Écrou hexagonal	5/16"	1
57	EHVS80-57	Tilt Scale / Neigungsskala / Échelle d'inclinaison		1
58	EHVS80-58	Hex Socket Screw / Innensechskantschraube / Vis à six pans creux	3/16"x3/8"	1
59	EHVS80-59	Pointer / Zeiger / Pointeur		1
60	EHVS80-60	Screw / Schraube / Vis	3/16"x1/4"	1
61	EHVS80-61E	Motor / Motor / Moteur 230/50/1	1Ph	1
	EHVS80-61AE	Motor / Motor / Moteur 400/50/3	3Ph	1
	OES80CS-150SCE	Starting Capacitor, (C), not shown / Anlaufkondensator, (C), nicht abgebildet / Condensateur de démarrage, (C), non illustré	250VAC, 400MFD	1
	OES80CS-150OPE	Thermal Overload Cut Off, (OL), not shown / Thermische Überlastabschaltung, (OL), nicht abgebildet / Coupe-circuit de surcharge thermique, (OL), non illustré	for 230V	1
62	TS-0051061	Hex Cap Bolt / Sechskantschraube / Boulon à tête hexagonale	5/16"x1-1/4"	2
63	TS-0680031	Washer / Unterlegscheibe / Rondelle	5/16"	14
64	TS-0720081	Lock Washer / Sicherungsscheibe / Rondelle de blocage	5/16"	8

PART LIST / ERSATZTEILLISTE / LISTE DES PIÈCES DÉTACHÉES

EHVS-80

Index No.	Part No.	Description	Size	Qty.
65	TS-0561021	Hex Nut / Sechskantmutter / Écrou hexagonal	5/16"	10
67	EHVS80-67E	Motor Cord 1Ph / Motorkabel 1Ph / Cordon moteur 1Ph	H05RN-Fx1.0mm	1
	EHVS80-67AE	Motor Cord 3Ph / Motorkabel 3Ph / Cordon moteur 3Ph	VCT-5Gx1.25mm	1
68	EHVS80-68E	Power Cord 1Ph / Netzkabel 1Ph / Cordon d'alimentation 1Ph	H05RN-Fx1.0mm	1
	EHVS80-68AE	Power Cord 3Ph / Netzkabel 3Ph / Cordon d'alimentation 3Ph	H07RN-Fx1.5mm	1
69	EHVS80-69E	Belt Cover / Riemenabdeckung / Couvercle de courroie		1
69A	EHVS80-69AE	Belt Cover (smaller) / Riemenabdeckung (kleiner) / Couvercle de courroie (plus petit)		1
70	EHVS80-70A	Up-Down Plate / Up-Down-Platte / Plaque de montée et de descente		2
71	EHVS80-71A	Knob / Knopf / Bouton	M8x20mm	4
72	EHVS80-72	Backstop / Rücklaufsperr / Butée arrière		1
81	EHVS80-81	Driver Wrench / Schlagschraubenschlüssel / Clé à molette		1
82	EHVS80-82	Flat Head Screw / Flachkopfschraube / Vis à tête plate	3/16"x1/2"	8
91	TS-0680021	Flat Washer / Unterlegscheibe / Rondelle plate	1/4"	5
92	TS-0720071	Lock Washer / Sicherungsscheibe / Rondelle de blocage	1/4"	5
93	EHVS80-93	Screw / Schraube / Vis	M6x16mm	1
94	EHVS80-94	Extension Table / Verlängerungstisch / Table d'extension		1
95	EHVS80-95	Knob / Knopf / Bouton		1
96	EHVS80-96	Supporting Rod / Haltestange / Tige de support		1
98	EHVS80-98AE	Bracket / Bügel / Support		1
104	EHVS80-104E	Plate / Platte / Plaque		1
105	EHVS80-57AE	Scale Label / Skalenetikett / Étiquette d'échelle		1
106	EHVS80-106E	I.D Label / Kennzeichnungsschild / Étiquette I.D.	1Ph	1
	EHVS80-106AE	I.D Label / Kennzeichnungsschild / Étiquette I.D.	3Ph	1
108	EHVS80-108E	Label / Etikett / Étiquette		1
109	EHVS80-109E	Label / Etikett / Étiquette		1
112	EHVS80-112	Washer / Unterlegscheibe / Rondelle	1/4"	1
113	EHVS80-113	Protecting Rubber / Schutzgummi / Caoutchouc de protection		2
114	TS-0680031	Washer / Unterlegscheibe / Rondelle	M8"x23Dx2t	10
115	EHVS80-115	Flat Washer / Flache Unterlegscheibe / Rondelle plate	3/8"	4
120	EHVS80-120	Fiber Washer / Fiberglas-Scheibe / Rondelle en fibre	3/8"	1
121	EHVS80-121	Fiber Washer / Fiberglas-Scheibe / Rondelle en fibre		1
122	EHVS80-122	L Plate / L-Platte / Plaque en L		1
123	EHVS80-123	Plate / Platte / Plaque		1
124	EHVS80-124	Pan Head Screw / Flachkopfschraube / Vis à tête cylindrique	3/16"-24x3/8"	5
125	EHVS80-125	Spring Washer / Federscheibe / Rondelle élastique	3/16"	5
126	EHVS80-126	Knob / Knopf / Bouton		4
127	EHVS80-127	Flat Washer / Unterlegscheibe / Rondelle plate	1/4"x23Dx2t	2
128	EHVS80-128E	Strain Relief / Zugentlastung / Soulagement de la tension	PG11	7
129	EHVE80-129	Set Screw / Stellschraube / Vis de réglage	5/16"x1"	2
130	EHVE80-130	Hex Cap Bolt / Sechskantschraube / Boulon à tête hexagonale		2
131	EHVS80-131	Label / Aufkleber / Étiquette		1
132	EHVS80-132	Hex Cap Bolt / Sechskantschraube / Boulon à tête hexagonale	1/4"x1"	4
133	EHVS80-133E	Belt Cover / Gürtelabdeckung / Couvercle de ceinture		1
134	EHVS80-134E	Safety Cover / Sicherheitsabdeckung / Couvercle de sécurité		2
135	EHVS80-135E	Extension Table Cover / Abdeckung des Verlängerungstisches / Couvercle de la table d'extension		1
	EHVS80-AT	Adjusting Tool (not shown) / Justierwerkzeug (nicht abgebildet) / Outil de réglage (non illustré)		1
	EHVS80-HK	Hardware Kit (not shown) / Beschlagsatz (nicht abgebildet) / Kit de quincaillerie (non illustré)		1

PART LIST / ERSATZTEILLISTE / LISTE DES PIÈCES DÉTACHÉES

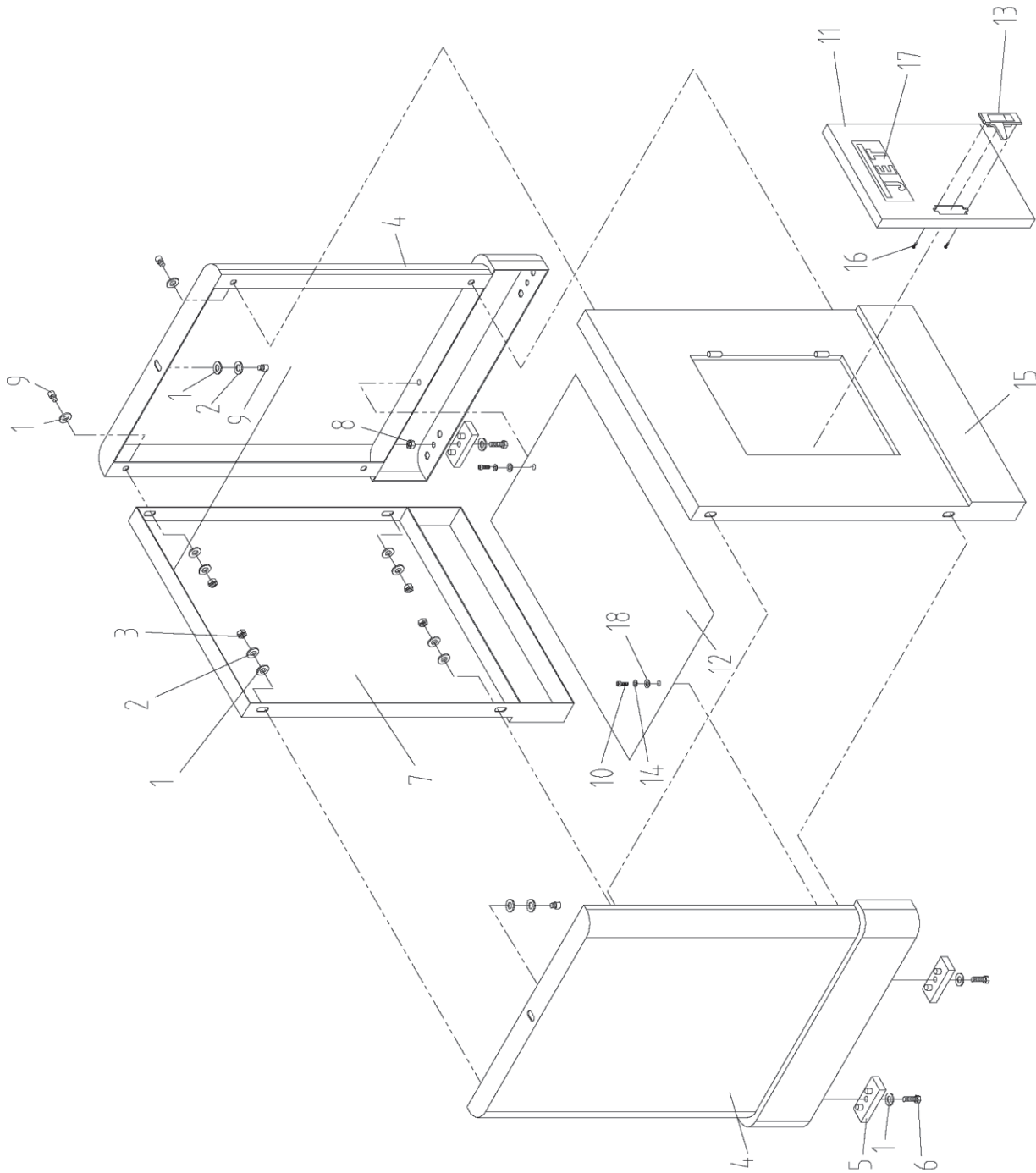
EHVS-80

Index No.	Part No.	Description	Size	Qty.
	EHVS80-MG	Miter Gauge Assembly Complete / Baugruppe Gehrungslinial komplett / Assemblage complet de la jauge à onglets		1
136	EHVS80-136E	Motor Label / Motoraufkleber / Étiquette du moteur	1Ph	1
	EHVS80-136AE	Motor Label / Motoraufkleber / Étiquette du moteur	3Ph	1
137	JBOSS-94E	Warning Label (not shown) / Warnschild (nicht abgebildet) / Étiquette d'avertissement (non illustrée)	80 x 60mm	1

Sanding Belts

60 Grit Open Coat / Grit Offener Mantel / Manteau ouvert Grit	57422910
80 Grit Open Coat / Grit Offener Mantel / Manteau ouvert Grit	57423010
100 Grit Open Coat / Grit Offener Mantel / Manteau ouvert Grit	57423110
120 Grit Open Coat / Grit Offener Mantel / Manteau ouvert Grit	57423210
150 Grit Open Coat / Grit Offener Mantel / Manteau ouvert Grit	57423310
180 Grit Open Coat / Grit Offener Mantel / Manteau ouvert Grit	57423410
40 Grit Closed Coat / Grit Offener Mantel / Manteau ouvert Grit	57618210
60 Grit Closed Coat / Grit Offener Mantel / Manteau ouvert Grit	57618410
80 Grit Closed Coat / Grit Offener Mantel / Manteau ouvert Grit	57618510
100 Grit Closed Coat / Grit Offener Mantel / Manteau ouvert Grit	57618610
120 Grit Closed Coat / Grit Offener Mantel / Manteau ouvert Grit	57618710
150 Grit Closed Coat / Grit Offener Mantel / Manteau ouvert Grit	57512410
180 Grit Closed Coat / Grit Offener Mantel / Manteau ouvert Grit	57512510

EXPLOSION DRAWING / ERSATZTEILZEICHNUNG / VUE ÉCLATÉE

EHVS-80

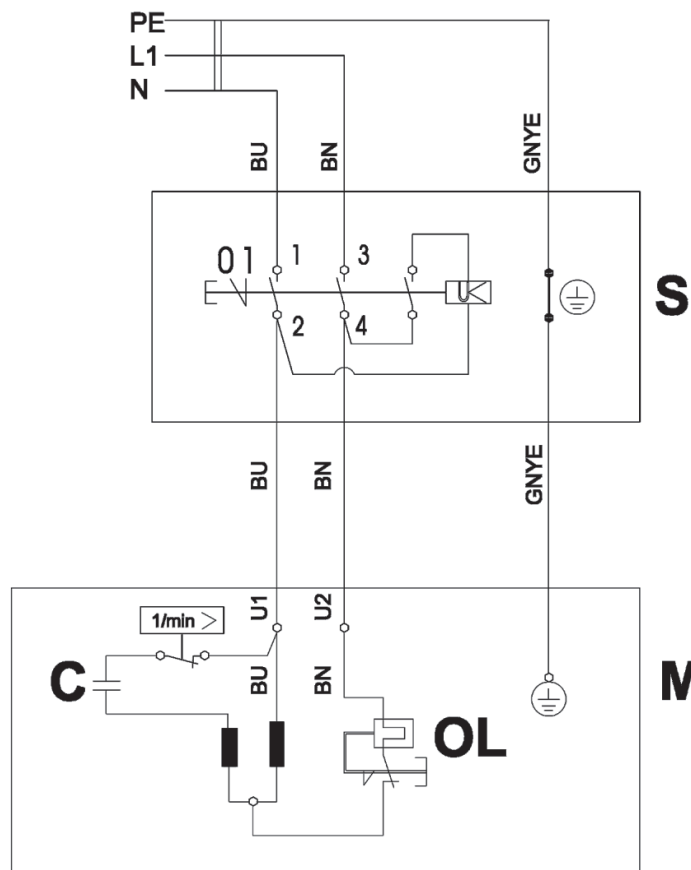
PART LIST / ERSATZTEILLISTE / LISTE DES PIÈCES DÉTACHÉES

EHVS-80

Index No.	Part No.	Description	Size	Qty.
1	TS-0680031	Flat Washer / Unterlegscheibe / Rondelle plate	5/16"	22
2	TS-0720081	Lock Washer / Sicherungsscheibe / Rondelle frein	5/16"	10
3	TS-0561021	Hex Nut / Sechskantmutter / Écrou hexagonal	5/16"	8
4	EHVS80CS-S04	Side Panel / Seitenwand / Panneau latéral		2
5	EHVS80CS-S05	Pad / Unterlage / Tampon		4
6	EHVS80CS-S06	Screw / Schraube / Vis	5/16"x5/8"	4
7	EHVS80CS-S07	Rear Panel / Rückwand / Panneau arrière		1
8	TS-0561021	Hex Nut / Sechskantmutter / Écrou hexagonal	5/16"	4
9	TS-0081031	Hex Cap Bolt / Sechskantschraube / Boulon à tête hexagonale	5/16"-3/4"	10
10	EHVS80CS-S10	Pan Head Screw / Flachkopfschraube / Vis à tête cylindrique	M5x10	2
11	EHVS80CS-S11	Door / Tür / Porte		1
12	EHVS80CS-S12	Shelf / Ablage / Tablette		1
13	EHVS80CS-S13	Latch Assembly / Verriegelung / Assemblage du loquet		1
14	TS-1551031	Lock Washer / Unterlegscheibe / Rondelle de blocage	M5	2
15	EHVS80CS-S15	Front Panel (w/door) / Frontplatte (mit Tür) / Panneau avant (avec porte)		1
16	EHVS80CS-S16	Pan Head Screw / Flachkopfschraube / Vis à tête cylindrique		2
17	JET-92	Logo w/ 3M adhesive / Logo mit 3M-Kleber / Logo avec adhésif 3M	92 x 38mm	1
18	EHVS80CS-S18	Flat Washer / Unterlegscheibe / Rondelle plate	M5	2

ELECTRICAL DIAGRAM / ELEKTRISCHE ANLAGE / SCHÉMA ÉLECTRIQUE

EHVS-80...708449M....1~230V,50Hz

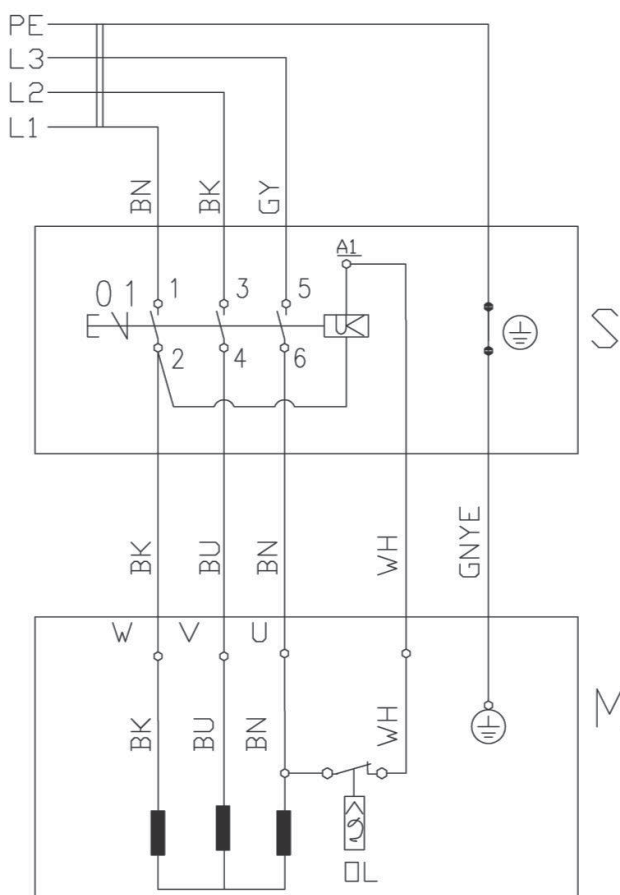


	colour of strands	Litzenfarben	couleur des cordons
BK	black	schwarz	noir
WH	white	weiß	blanc
BU	blue	blau	bleu
YE	yellow	gelb	jaune
RD	red	rot	rouge
BN	brown	braun	brun
GY	grey	grau	gris
GNYE	green-yellow	grün-gelb	vert-jaune
OG	orange	orange	orange
VT	violet	violett	violet

	meaning of symbol	Bedeutung der Zeichen	interprétation
M	motor	Motor	moteur
S	switch	Schalter	interrupteur
C	condenser	Kondensator	condensateur
E	electronic unit	Elektronik Einheit	unité électronique
F	fuse	Sicherung	fusible
RS	reversing switch	Drehrichtungsschalter	commu. droite/gauche
CS	centrifugal switch	Fliehkraftschalter	déclencheur
OL	overload cut-off	Überlastschuttschalter	centrifuge déclencheur
LS	limit switch	Positionsendschalter	surcharge micro

ELECTRICAL DIAGRAM / ELEKTRISCHE ANLAGE / SCHÉMA ÉLECTRIQUE

EHVS-80....708449T....3~400V,50Hz



	colour of strands	Litzenfarben	couleur des cordons
BK	black	schwarz	noir
WH	white	weiß	blanc
BU	blue	blau	bleu
YE	yellow	gelb	jaune
RD	red	rot	rouge
BN	brown	braun	brun
GY	grey	grau	gris
GNYE	green-yellow	grün-gelb	vert-jaune
OG	orange	orange	orange
VT	violet	violett	violet

	meaning of symbol	Bedeutung der Zeichen	interprétation
M	motor	Motor	moteur
S	switch	Schalter	interrupteur
C	condenser	Kondensator	condensateur
E	electronic unit	Elektronik Einheit	unité électronique
F	fuse	Sicherung	fusible
RS	reversing switch	Drehrichtungsschalter	commu. droite/gauche
CS	centrifugal switch	Fliehkraftschalter	déclencheur
OL	overload cut-off	Überlastschuttschalter	centrifuge déclencheur
LS	limit switch	Positionsendschalter	surcharge micro



ENVIRONMENTAL PROTECTION

Protect the environment.

Your appliance contains valuable materials which can be recovered or recycled. Please leave it at a specialized institution.



This symbol indicates separate collection for electrical and electronic equipment required under the WEEE Directive (Directive 2012/19/EC) and is effective only within the European Union.

UMWELTSCHUTZ

Schützen Sie die Umwelt!

Ihr Gerät enthält mehrere unterschiedliche, wiederverwertbare Werkstoffe.

Bitte entsorgen Sie es nur an einer spezialisierten Entsorgungsstelle.



Dieses Symbol verweist auf die getrennte Sammlung von Elektro- und Elektronikgeräten, gemäß Forderung der WEEE-Richtlinie (2012/19/EU). Diese Richtlinie ist nur innerhalb der Europäischen Union wirksam.

PROTECTION DE L'ENVIRONNEMENT

Protégez l'environnement !

Votre appareil comprend plusieurs matières premières différentes et recyclables. Pour éliminer l'appareil usagé, veuillez l'apporter dans un centre spécialisé de recyclage des appareils électriques.



Ce symbole indique une collecte séparée des équipements électriques et électroniques conformément à la directive DEEE (2012/19/UE). Cette directive n'est efficace que dans l'Union européenne.



WARRANTY / GARANTIE

TOOL FRANCE guarantees that the supplied product(s) is/are free from material defects and manufacturing faults.

This warranty does not cover any defects which are caused, either directly or indirectly, by incorrect use, carelessness, damage due to accidents, repairs or inadequate maintenance or cleaning as well as normal wear and tear.

Further details on warranty (e.g. warranty period) can be found in the General Terms and Conditions (GTC) that are an integral part of the contract.

These GTC may be viewed on the website of your dealer or sent to you upon request.

TOOL FRANCE reserves the right to make changes to the product and accessories at any time.

TOOL FRANCE garantiert, dass das/die von ihr gelieferte/n Produkt/e frei von Material- und Herstellungsfehlern ist.

Diese Garantie deckt keinerlei Mängel, Schäden und Fehler ab, die - direkt oder indirekt - durch falsche oder nicht sachgemäße Verwendung, Fahrlässigkeit, Unfallschäden, Reparaturen oder unzureichende Wartungs- oder Reinigungsarbeiten sowie durch natürliche Abnutzung durch den Gebrauch verursacht werden.

Weitere Einzelheiten zur Garan können den allgemeinen Geschäftsbedingungen (AGB) entnommen werden.

Diese können Ihnen auf Wunsch per Post oder Mail zugesendet werden.

TOOL FRANCE behält sich das Recht vor, jederzeit Änderungen am Produkt und am Zubehör vorzunehmen.

TOOL FRANCE garantit que le/les produit(s) fourni(s) est/sont exempt(s) de défauts matériels et de défauts de fabrication.

Cette garantie ne couvre pas les défauts, dommages et défaillances causés, directement ou indirectement, par l'utilisation incorrecte ou inadéquate, la négligence, les dommages accidentels, la réparation, la maintenance ou le nettoyage incorrects et l'usure normale.

Vous pouvez trouver de plus amples détails sur la garantie dans les conditions générales (CG).

Les CG peuvent être envoyées sur demande par poste ou par e-mail.

TOOL FRANCE se réserve le droit d'effectuer des changements sur le produit et les accessoires à tout moment.

UK DECLARATION OF CONFORMITY

Edition March 2024

Product:

EDGE SANDER

Model:

EHVS-80

Brand:

JET

Manufacturer or authorized representative:

TOOL FRANCE

Unit 1a Stepnell Park

Off Lawford Road

Rugby

CV212UX

United Kingdom

We hereby declare that this product complies with the regulations:

SUPPLY OF MACHINERY (SAFETY) REGULATIONS 2008

ELECTROMAGNETIC COMPATIBILITY REGULATIONS 2016

Designed in consideration of the standards:

EN ISO 12100:2010

EN 60204-1:2018

Responsible for the documentation / Dokumentations-Verantwortung / Responsable de la documentation :



JÉRÔME GERMAIN

GENERAL MANAGER

DIRECTEUR GÉNÉRAL

N° de série / serial number :

At lisses / Hergestellt in / Fait à Lisses

Date :

CE-CONFORMITY DECLARATION CE-KONFORMITÄTSERKLÄRUNG DÉCLARATION DE CONFORMITÉ CE

Edition March 2024

Product/Produkt/Produit:

Edge Sander / Kantenschleifmaschine / Ponceuse De Bord

EHVS-80

Brand/Marke/Marque:

JET

Manufacturer or authorized representative/Hersteller oder Bevollmächtigter/Fabricant ou son mandataire:

TOOL FRANCE

9 Rue des Pyrénées, 91090 LISSES, France

We hereby declare that this product complies with the regulations
Wir erklären hiermit, dass dieses Produkt der folgenden Richtlinie entspricht
Par la présente, nous déclarons que ce produit correspond aux directives suivantes

2006/42/EC

Machinery Directive / Maschinenrichtlinie / Directive Machines

2014/30/EU

electromagnetic compatibility / elektromagnetische Verträglichkeit / compatibilité électromagnétique

2011/65/EU

RoHS directive / RoHS-Richtlinie / Directive RoHS

designed in consideration of the standards
und entsprechend folgender zusätzlicher Normen entwickelt wurde
et été développé dans le respect des normes complémentaires suivantes

EN ISO 12100:2010

EN 60204-1:2018

Original instruction manual / Original-Bedienungsanleitung / Notice d'instruction Originale
Responsible for the documentation / Dokumentations-Verantwortung / Responsable de la documentation :



JÉRÔME GERMAIN

GENERAL MANAGER

DIRECTEUR GÉNÉRAL

N° de série / serial number :

At lisses / Hergestellt in / Fait à Lisses

Date :