

JPT-F260-M
JPT-F260-T

PLANER & THICKNESSER
Abrichtobelmaschine
Dégauchisseuse



www.promac.fr



GB - ENGLISH

Operating Instructions

Dear Customer,

Many thanks for the confidence you have shown in us with the purchase of your new JET-machine. This manual has been prepared for the owner and operators of a **JET JPT-F260-M / JPT-F260-T Planer & Thicknesser** to promote safety during installation, operation and maintenance procedures. Please read and understand the information contained in these operating instructions and the accompanying documents. To obtain maximum life and efficiency from your machine, and to use it safely, read this manual thoroughly and follow instructions carefully.

...Table of Contents

1. Declaration of conformity

2. Warranty

3. Safety

Authorized use
General safety notes
Remaining hazards

4. Machine specifications

Technical data
Noise emission
Dust emission
Contents of delivery
Description of machine

5. Transport and start up

Transport and installation
Assembly
Mains connection
Dust connection
Starting operation

6. Machine operation

Jointing and planing
Thicknessing

7. Setup and Adjustments

Changing the knives
Setting the Machine for Thicknessing
Digital Thickness Display

8. Maintenance and adjustment

9. Troubleshooting

10. Environmental protection

11. Available accessories

12. Safe operation" (appendix A)

1. Declaration of conformit

On our own responsibility we hereby declare that this product complies with the regulations listed on page 2.

2. Warranty

TOOL France guarantees that the supplied product(s) is/are free from

material defects and manufacturing faults.

This warranty does not cover any defects which are caused, either directly or indirectly, by incorrect use, carelessness, damage due to accidents, repairs or inadequate maintenance or cleaning as well as normal wear and tear.

Further details on warranty (e.g. warranty period) can be found in the General Terms and Conditions (GTC) that are an integral part of the contract. These GTC may be viewed on the website of your dealer or sent to you upon request.

TOOL France reserves the right to make changes to the product and accessories at any time.

3. Safety

3.1 Authorized use

This machine is designed for planing wood, and wood derived materials. Machining of other materials is not permitted and may be carried out in specific cases only after consulting with the manufacturer.

No metal workpieces may be machined.

The workpiece must allow to safely be loaded, supported and guided.

The proper use also includes compliance with the operating and maintenance instructions given in this manual.

The machine must be operated only by persons familiar with its operation, maintenance and repair and who are familiar with its hazards.

The required minimum age must be observed

The machine must only be used in a technically perfect condition

When working on the machine, all safety mechanisms and covers must be mounted.

In addition to the safety requirements contained in this operating instructions and your country's applicable regulations, you should observe the generally recognized technical rules concerning the operation of woodworking machines.

Any other use exceeds authorization. In the event of unauthorized use of the machine, the manufacturer renounces all liability and the responsibility is transferred exclusively to the operator.

3.2 General safety notes

Woodworking machines can be dangerous if not used properly. Therefore the appropriate general technical rules as well as the following notes must be observed.



Read and understand the entire instruction manual before attempting assembly or operation.



Keep this operating instruction close by the machine, protected from dirt and humidity, and pass it over to the new owner if you part with the tool.

No changes to the machine may be made.

Daily inspect the function and existence of the safety appliances before you start the machine.

Do not attempt operation in this case, protect the machine by unplugging the mains cord.

Do not lock the moving guard in the open position. Ensure that the movable guards operate freely without jamming.

Remove all loose clothing and confine long hair.

Before operating the machine, remove tie, rings, watches, other jewellery, and roll up sleeves above the elbows.

Wear safety shoes; never wear leisure shoes or sandals.

Always wear the approved working outfit:

- safety goggles
- ear protection
- dust protection



Do not wear gloves while operating this machine.



For the safe handling of saw blades wear work gloves.

Control the stopping time of the machine, it may not be longer than 10 seconds.

Do NOT stop the blade by forcing the machine or by using sideways pressure.

Insure that the workpiece does not roll when cutting round pieces. Use suitable table extensions and supporting aids for difficult to handle workpieces.

Never use just your hands for sawing

Take care when slotting

Always hold and guide the workpieces safely during machining. Never cut pieces that are too small.

For safety reasons this machine requires the use of two hands and should not be operated standing on a staircase or leather.

Install the machine so that there is sufficient space for safe operation and workpiece handling.

Keep work area well lighted.

The machine is designed to operate in closed rooms and must be placed stable on firm and levelled ground.

Make sure that the power cord does not impede work and cause people to trip.

Keep the floor around the machine clean and free of scrap material, oil and grease.

Stay alert!
Give your work undivided attention. Use common sense.

Keep an ergonomic body position.



Maintain a balanced stance at all times.

Do not operate the machine when you are tired.

Do not operate the machine under the influence of drugs, alcohol or any medication. Be aware that medication can change your behaviour.

Keep children and visitors a safe distance from the work area.

Never reach into the machine while it is operating or running down.



Never leave a running machine unattended.

Before you leave the workplace switch off the machine.

Do not operate the electric tool near inflammable liquids or gases. Normal brushfire might ignite.

Observe the fire fighting and fire alert options, for example the fire extinguisher operation and place.

Do not use the machine in a damp environment and do not expose it to rain.

Wood dust is explosive and can also represent a risk to health.

Dust from some tropical woods in particular, and from hardwoods like beach and oak, is classified as a carcinogenic substance. Always use a suitable dust extraction device

Before machining, remove any nails and other foreign bodies from the workpiece.

Specifications regarding the maximum or minimum size of the workpiece must be observed.

Do not force the power tool. It will do a better and safer job and give you much better service if it is used at the rate for which it was designed.

Do not remove chips and workpiece parts until the machine is at a complete standstill.

Never operate with the guards not in place – serious risk of injury!

Connection and repair work on the electrical installation may be carried out by a qualified electrician only.



Always unwind any extension cords fully.

Damaged extension cords replace immediately.

Do not use the power tool if the ON/OFF switch does not turn the power tool ON and OFF.

Make all machine adjustments or maintenance with the machine unplugged from the power source.



Do not use blades made from High Speed Steel (HSS).

Remove defective saw blades immediately.

Select saw blade in relation to material to be cut.

Use only sawblades recommended by manufacturer.

Replace table insert when worn.

Do not stare into beam of laser.

Do not point the laser beam at people or animals.

Do not use the laser beam on highly reflective materials. Reflected light is dangerous.

Repair work on the laser beam may only be carried out by a specialist.

3.3 Remaining hazards

When using the machine according to regulations some remaining hazards may still exist

Touching the cutter block in the machining area can cause injury. For effective protection the cutter block guard must always be adapted to the work piece.

Risk of kickback. Work piece is caught by the rotating cutter block and thrown back to the operator.

Thrown work piece parts can lead to injury.

Drawing-in/trapping hazard by power feed mechanism.

Squeezing hazard by work piece power-outfeed.

Sawdust and noise can be health hazards.

Be sure to wear personal protection gear such as safety goggles and ear protection. Use a suitable dust exhaust system.

The use of incorrect mains supply or a damaged power cord can lead to injuries caused by electricity.

4. Machine specifications

4.1 Technical data

JPT-F260-M & JPT-F260-T:

Planing

Jointing width	max 258 mm
Table length	1100mm
Height above floor	850mm
Fence size	1100 x 150mm
Fence tilt	0 - 45°
Depth of cut	max.3 mm

Thickening

Thickening width	max 258 mm
Thickening height	5 - 190 mm
Thickening table length	600mm
Min. length of work piece	150mm
Feed speed	6,0 m/min
Depth of cut	max. 4,5 mm

Number of knives	3
Cutter block diameter	Ø71 mm
No load speed n ₀	5000 rpm
Cuts per minute	15000
Cutter knife length	260 mm
Cutter knife width	15 - 25mm
Cutter knife thickness	3mm

Dust port diameter 100mm

Overall (LxWxH) 1100x900x1000
Net Weight 202 kg

Mains 230V ~1/N/PE 50Hz
Output power 1,7 kW (2,3 HP) S1
Reference current 9.70 A
Extension cord (H07RN-F) 3x1,5mm²
Installation fuse protection 16A

Mains 400V ~3/PE 50Hz
Output power 2,5 kW (3,3 HP) S1

Reference current 5,0 A
Extension cord (H07RN-F) 4x1,5mm²
Installation fuse protection 16A

4.2 Noise emission

Determined according to EN 861 (Inspection tolerance 4 dB)
Work piece pine wood:
W=100mm, L=1000mm, moisture 8,5%

Planing:

Acoustic power level (according to EN ISO 3746):
Idling LwA 78,8 dB(A)
Operating LwA 101,8 dB(A)

Acoustic pressure level (according to EN ISO 11202):
Idling LpA 78,9 dB(A)
Operating LpA 96,5 dB(A)

Thickening:

Acoustic power level (according to EN ISO 3746):
Idling LwA 92,6 dB(A)
Operating LwA 103,5 dB(A)

Acoustic pressure level (according to EN 11202):
Operating position 1:
Idling LpA 74,4 dB(A)
Operating LpA 91,8 dB(A)

Operating position 2:
Idling LpA 84,4 dB(A)
Operating LpA 95,7 dB(A)

The specified values are emission levels and are not necessarily to be seen as safe operating levels. Although there is a correlation between emission and imission levels, these do not constitute a basis for determining the necessity of additional safety measures.

Workplace conditions which could influence the noise imission level include the duration of resonance, spatial particulars, other noise sources etc. For example, the number of machines and other work being performed. The permissible workplace levels can vary from country to country.

This information is intended to allow the user to make a better estimation of the hazards and risks involved.

4.3 Dust emission

The planer thickener has been dust emission inspected.

At an air velocity of 20 m/s on the dust port dia 100mm:
Vacuum pressure 900 Pa
Volume flow 565 m³/h

The machine meets a workplace dust emission limit of 2 mg/m³.

4.4 Content of delivery

- Planer thickener assembly
- Jointer fence assembly.
- Cutter block guard
- Knife setting gauge
- Operating manual
- Spare parts list

4.5 Machine description

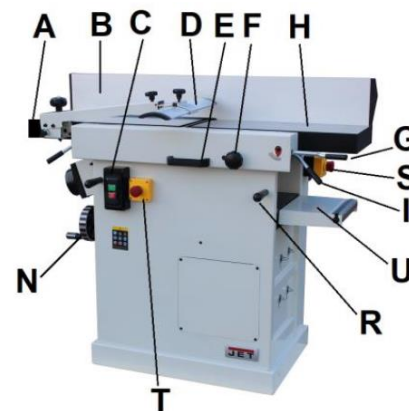


Fig 1

- A....Outfeed table
- B....Jointer fence
- C....ON/OFF switch
- D....Cutterblock guard
- E....Table tilt handle
- F....Table adjustment lock
- G....Table adjustment handle
- H....Infeed table
- I....Table-cabinet lock
- J.....Mains plug (not Shown) (Fig.2)

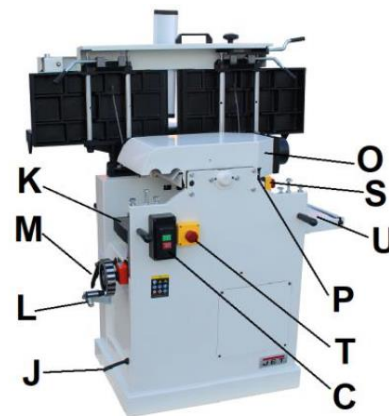


Fig 2

- K....Thickness table
- L....Power feed ON/OFF handle
- M....Thickness table lock
- N....Thickness table adjust handwheel(Fig.1)
- O.....Dust hood
- P.....Dust hood disengagement knob
- R.....Carry Handle
- S.....E-Stop Switch (Fig.1)
- T..... E-Stop Switch
- U.....Extension Table

5. Transport and start up

5.1 Transport and installation

For transport use a forklift or hand trolley. Make sure the machine does not tip or fall off during transport.

Remove the carriage bolts and slide the machine carefully off the pallet.

ATTENTION:

The planer tables are precisely aligned ex. works. They may only be loaded when they are closed and the table-cabinet locks (I, Fig. 1) are engaged, otherwise they may be damaged.

The purpose of 4 carry handles (R, Fig. 2) is just to unload the machine from the pallet when unpacking.

The machine is designed to operate in closed rooms and must be placed stable on firm and levelled ground. The machine can be bolted down if required.

5.2 Assembly

If you notice any transport damage while unpacking, notify your supplier immediately. Do not operate the machine!

Dispose of the packing in an environmentally friendly manner.

Clean all rust protected surfaces with a mild solvent.

Mounting the Fence

To mount the fence assembly put to hand the following: The fence tilt assembly (E), fence (F), fence mounting bracket with cap head screws (G) and the two lift and shift handles (H).

Line up the mounting bracket (G) pre-drilled holes with the threaded holes mid table to the rear of planer thicknesser and secure using the two cap head screws (B, Fig 3), With hex key (A, Fig 3) .

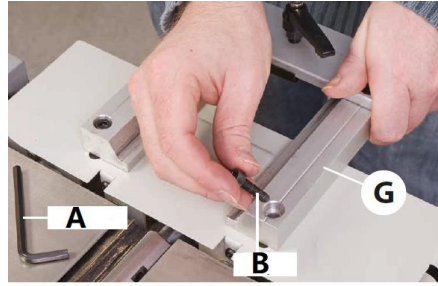


Fig 3

Loosen the clamping handle on the mounting bracket, insert the tilt assembly base plate (E) through the mounting bracket (G) sufficiently for the next step. Lightly tighten clamping

handle, see Fig 4.

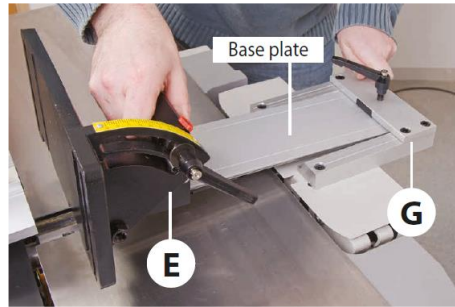


Fig 4

Locate the two lift and shift handles (H) and the fence (F), see fig 19. Position the fence up against the tilt assembly housing (E). Line up the pre-drilled holes in the mounting plate to the rear fence assembly (F) with the elongated slots in the tilt assembly housing (E).

Note: make sure the fence is the right way up with the machined cutout for the cutter block flush against the tables.

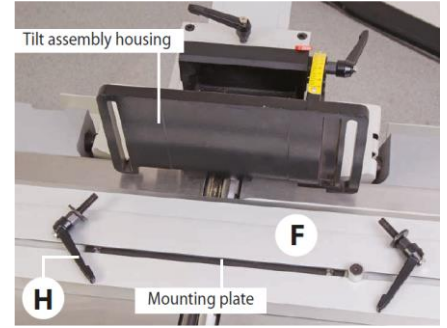


Fig 5

Insert the thread of one of the lift and shift handles (H) through the elongated slot and screw it into the fence mounting plate, see Fig 6.



Fig 6

(Please note the lift and shift handle has been removed to make it easier to screw on the threaded bolt.)

Replace the handle and secure in place with the Phillips screw/spring, see Fig 7. Repeat for the opposite.



Fig 7

Slide the fence (F) until its stop is up against the tilt assembly housing (E) then tighten the lift and shift handles. Fence Stop (A), Fence stop clamping Hex screw (B) see Fig 8.

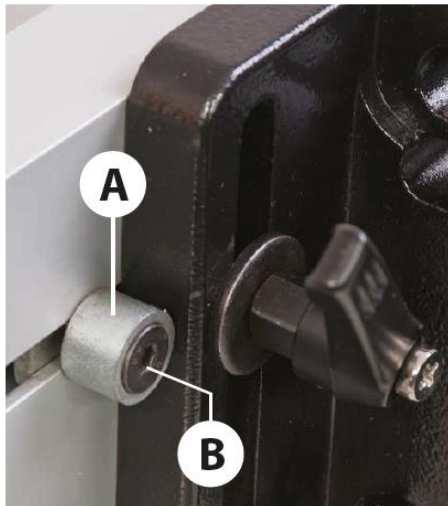


Fig 8

Tilt fence assembly (A), Fence lift and shift clamping handles (B), Scale (C), Tilt clamping handle (D)

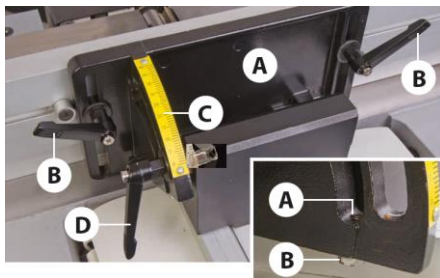


Fig 9

Tilt stop (A) ; Adjusting nut (B)

5.3 Mains connection

Mains connection and any extension cords used must comply with applicable regulations.

The mains voltage must comply with the information on the machine licence plate.

The mains connection must have a 16A surge-proof fuse.

Only use connection cables marked H07RN-F

Connections and repairs to the electrical equipment may only be carried out by qualified electricians.

ATTENTION:

-Check first if the cutter block runs freely and if all safety devices are fitted before starting the machine.

- If the direction of rotation is not correct, the phase converter inside the CCE Euro plug must be pushed in and turned 180°.

(See rotation arrow on machine for correct rotation)

5.4 Dust connection

Before initial operation, the machine must be connected to a dust extractor. The suction should switch on automatically when the jointer is switched on.

The flow rate on the suction port must be 20m/sec. Flexible hoses must be of non-flammable quality, and must be connected to the machine ground system.

5.5 Starting operation

You can start the machine with the green on button. The red button on the main switch stops the machine. (C, Fig 10).

In case of emergency push the E-stop button to stop the machine. (U, Fig 10).

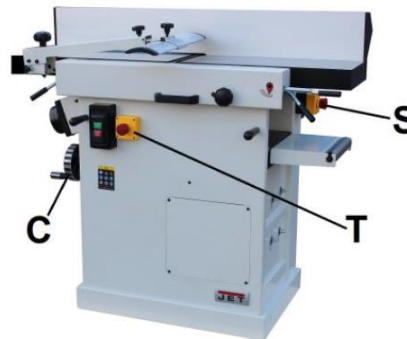


Fig 10

The power feed can be engaged and disengaged with handle (L, Fig 2).

In case of machine overload the motor overload cut-off will react. After appr.10 min of cooling the machine can be started again.

6. Machine operation

Change of operating mode (planing to thicknessing and back) may only be performed when the machine is at a complete standstill.

6.1 Jointing and planing

Correct operating position:

Position yourselves offset to the infeed table (Fig 11).

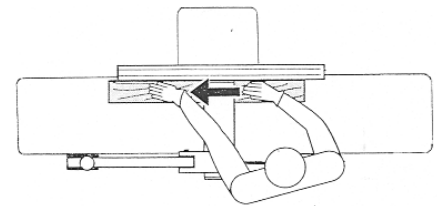


Fig 11

Work piece handling:

Feed the work piece straight across the infeed table, holding your fingers close together, guiding the work piece with the palm of your hands.

Never put your hands under the cutter block cover. Always keep your hands well clear of the cutter block

Do not pull the work piece back over the unguarded cutter block. Always plane the work piece over its entire length.

Adjust depth of cut with lever (G).

Loosen clamping knob (F) for adjustment.

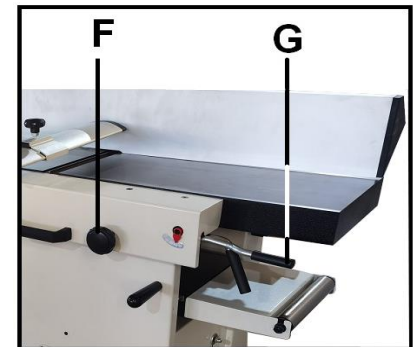


Fig 12

Support long work pieces (longer than jointer tables) with helping roller stands or table extensions.

Planing the face of a work piece up to 75mm thick:

Place the work piece against the jointer fence. Adjust the cutter block guard to the height of the work piece. When guiding the work piece, the hands slide over the cutter block guard (Fig 13)

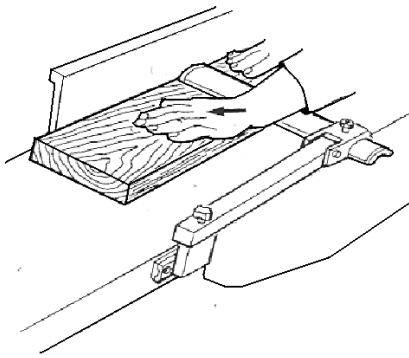


Fig 13

Planing the edge of a work piece (jointing) or planing work pieces more than 75mm thick:

Place the work piece against the jointer fence.

Adapt the cutter block guard to the width of the work piece (Fig 14).

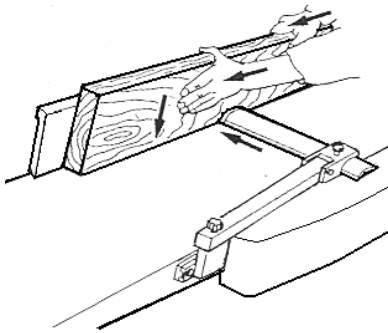


Fig 14

Chamfering a work piece:

Place the work piece against the jointer fence.

Adapt the cutter block guard to the width of the work piece (Fig 15).

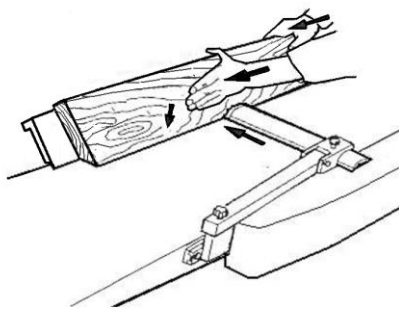


Fig 15

Planing of narrow work pieces:

Add an auxiliary fence to safely guide narrow workpieces (see Fig 16).

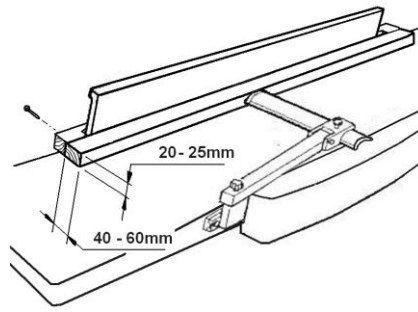


Fig 16

Operating notes:

The planer tables are precisely aligned ex. works. They may only be loaded when the table-cabinet locks are engaged, otherwise they may be damaged or precision of machine be lost.

Always use sharp cutter knives!

Check work piece for foreign objects (nails, screws) and for loose knots.

Feed with thicker work piece end at the front, hollow side downward.

Plane the stock with the grain, if possible.

You get a better surface when planing several passes with less chip removal.

Switch machine off if no further planing is to be done immediately afterwards. Cover the cutter block with the cutter block guard.

Jointing and planing of short workpieces may only be performed with the help of tailor made push woods and templates.

For the authorized use of the machine observe the appendix A "safe operation" (on the last pages of this operating manual)

A1: Planing, stock thickness below 75mm.

A2: Edge jointing.

A3: Planing of narrow gibs

A4: Planing of short stock with push wood.

6.2 Thicknessing

Correct operating position:

To feed the work piece into the machine, position yourselves offset to one side of the feed opening.

Work piece handling

Adjust the planer table to the work piece thickness.

Feed work piece slowly and straight into the thicknesser. It will then be automatically fed through the

thicknesser.

Guide work piece straight through the thicknesser.

To remove the work piece from the machine, position yourselves offset to one side of the outfeed opening.

Support long work pieces with helping roller stands.

Operating notes:

Always use sharp cutter knives!

Feed with thicker work piece end at the front, hollow side downward.

Max. 4,5 mm depth of cut. If a work piece gets stuck lower the planer table by app. 1mm (1/4 crank turn).

Plane the stock with the grain, if possible.

You get a better surface when planing several passes with less chip removal.

Switch machine off if no further planing is to be done immediately afterwards.

Work pieces shorter than 150mm may not be processed.

Machine max. 2 work pieces at one time. Feed on both outer sides.

7. Setup and adjustments

General note:

Setup and adjustment work may only be carried out after the machine is protected against accidental starting.

**Push the E-stop button
Pull the mains plug!**

7.1 Changing cutterblock knives

The given instructions about knife installation, maximum knife circle, minimum knife clamping width and correct knife lock blot tightening torque must strictly be observed.

The cutter knives may only be changed when the mains plug is pulled!

Risk of personal injury by cuts from the cutter knives. Wear suitable gloves when changing cutter knives.

Move cutter block cover to front and fence to back.

Turn the four square-head bolts of the cutter knife lock bar all the way in (wear gloves!).

At first remove cutter knife, then cutter knife lock bar from the cutter block.

Clean all surfaces of cutter block and cutter knife lock bar with a suitable solvent (do not use cleaning agents that

could corrode the light metal components).

Use only suitable cutter knives conforming the technical specification and EN 847-1

Unsuitable, incorrectly mounted, dull, cracked or bent cutter knives can work loose or increase the risk of kickback considerably.

Always replace all three cutter knives at once.

The cutter knife lock bars are balanced to each other and thus can randomly be placed.

Only cutter knives marked "HSS" or "HS" can be resharpened!

When resharpening, remove the same amount of material from all three cutter knives, otherwise a balancing error may cause damage to the bearings.

Cutter knives can only be resharpened down to a minimum width of 15 mm.

Knives may not exceed the cutterblock body by 1,1mm in radius.

Use genuine Jet replacement parts only.

Changing the Standard Blades

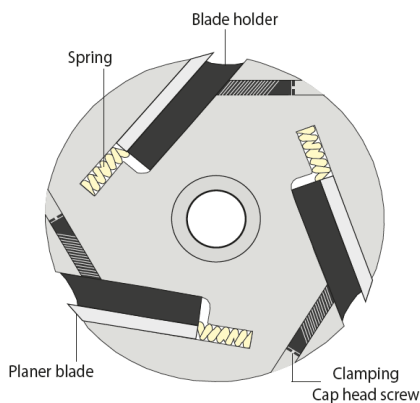


Fig 17

Turn the cutter block until one of the slots is in the upright position. Using a 4mm Hex key loosen the four cap head screws on the cutter block, thus removing the clamping effect. This should allow the blade to 'spring' up, protruding clear of the edge of the cutter block, see Fig 18.

Carefully remove the blade and place safely aside

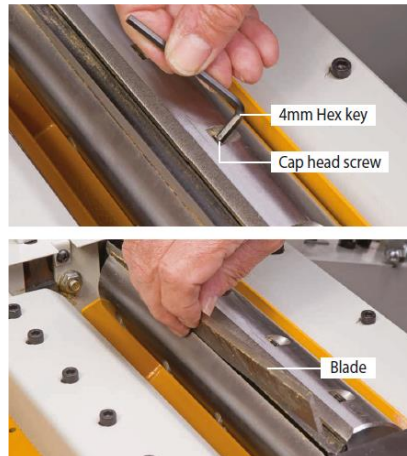


Fig 18

Remove the blade holder and lay aside. Clean the slot housing thoroughly, remove any resin build-up, sawdust, chips etc. Clean the blade holder and ensure the circumference of the cutter block is cleaned thoroughly, see Fig 19.

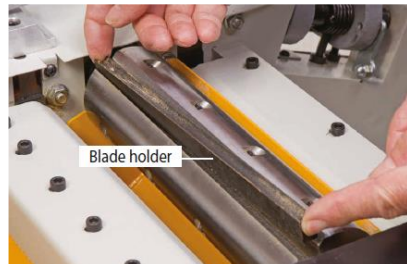


Fig 19

Remove the new blade from its keeper and place the old blade in its place. Locate the blade setting tool (L), see Fig 20.



Fig 20

Introduce the blade holder, position it against the back of the slot, introduce the blade in the front of the blade holder. Carefully position the blade and the holder to line up with the edge of the cutter block. Press the blade setting tool gently down onto the blade, ensuring the locating feet are firmly seated against the circumference of the cutter block and the blade is against the setting recess, see Fig 21.

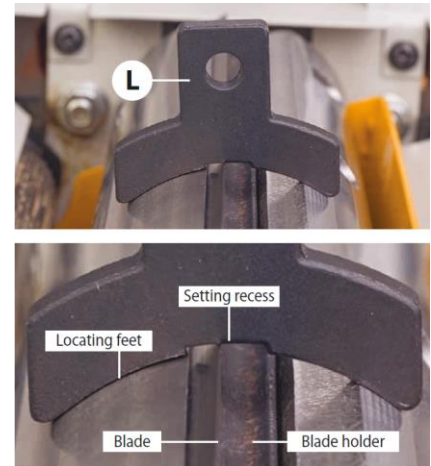


Fig 21

Holding the blade and setting tool (L) in position, tighten two cap head screws to provide a firm clamp on the blade. Keeping the setting tool held firmly in place tighten the remaining cap head screws, see Fig 22.

Repeat the procedure for the other two blades. When all the blades are set at the correct height, carry out a quick check by rotating the cutter block in reverse and visually inspecting the edge of the blade against a fixed point.

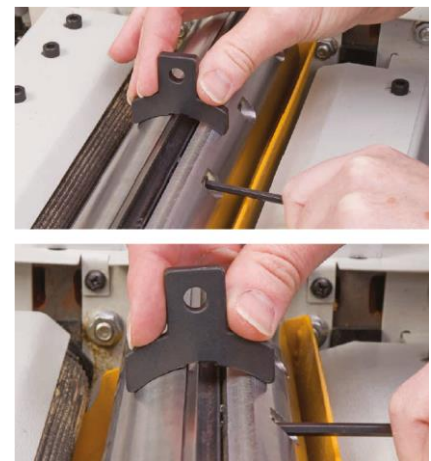


Fig 22

If this appears satisfactory, go round and check everything is tight and lower the surface tables and re-lock them in place. Replace the fence assembly and continue with the operation.

NOTE: You can also check that the blades are set at the correct height along the length of the cutter block by the following method below.

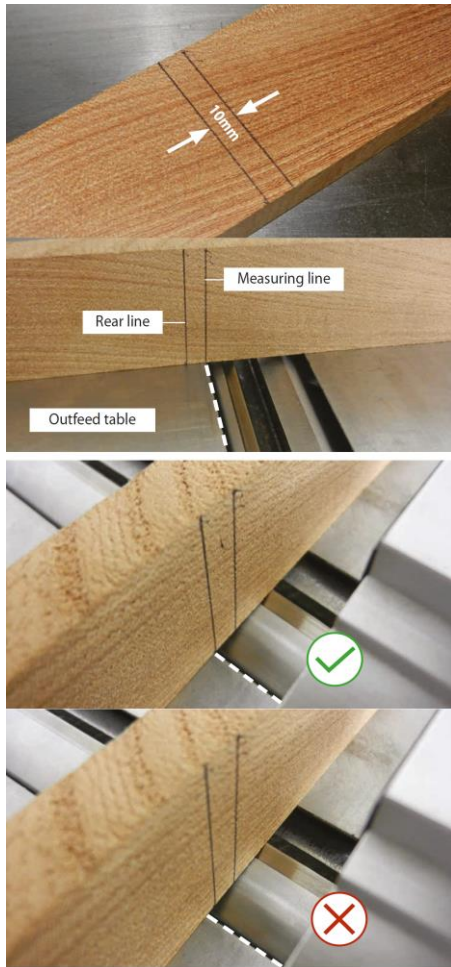


Fig 23

- Find a scrap piece of timber and draw two measuring lines approximately 3-4mm apart, see Fig 23.
- Place the timber to one side of the cutter block across the tables and line up right measuring line to the edge of the outfeed surface table, see Fig 23.
- Rotate the cutter block so the blade tip pulls the timber forward, stop when the blade detaches itself from the timber.
- The rear line should now line up with the outfeed table's edge, see Fig 23.

7.2 Setting the Machine for Thicknessing

1. Remove the fence assembly and place it in its holder to the rear of the machine. Unlock the surface table and raise them to the upright position.
2. Rotate the dust extraction hood until it's in the upright position.
3. Raise the locking lever to engage the thicknessing function, see Fig 24.

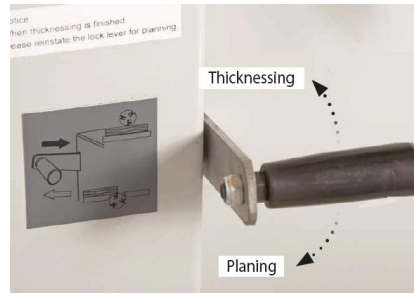


Fig 24

7.3 Digital Thickness Display

The 'Digital Display' will give an accurate visual indication of the amount you are adjusting the thicknessing table in 0.10mm increments.

The digital display should be pre-set at the factory but if required can be set as follows.

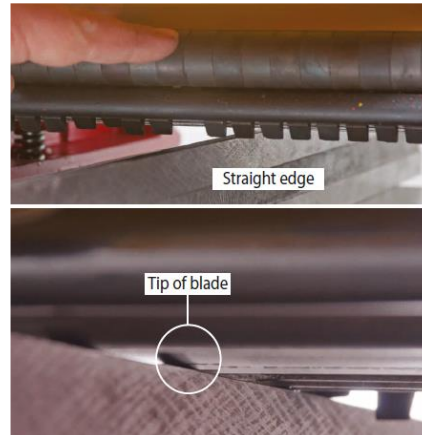


Fig 25

Place a straight edge across the thicknessing table, raise the table until the tip of the cutter-block blade at its lowest point is touching the top of the straight edge, see Fig 25.

Using a vernier, measure the height of the straight edge and write down the reading, see Fig 26.

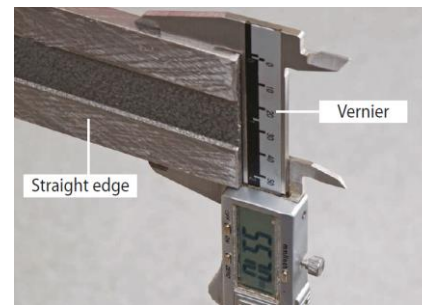


Fig 26

Loosen the grub screw holding the collar mechanism, turn the collar on the digital display unit and dial in the measurement you wrote down, see Fig

27. Tighten the grub screw, clamping the collar to the drive shaft.



Fig 27

Remove the straight edge from the thicknessing table.

8. Maintenance and inspection

General note:

Maintenance, cleaning and repair work may only be carried out after the machine is protected against accidental starting.

Pull the mains plug!

Clean the machine regularly

Inspect the proper function of the dust extraction daily.

Defective cutting knives must be replaced immediately.

Before starting any work, check the mobility of the anti-kickback fingers (must fall down by their own weight).

Defective safety devices must be replaced immediately.

All protective and safety devices must be re-attached immediately after completed cleaning, maintenance and inspection work.

Repair and maintenance work on the electrical system may only be carried out by a qualified electrician.

Drive Belt:

The belt tension must be inspected regularly.

Motor Break :

The motor break works electro-mechanically (break motor).

If breaking time should exceed 10 seconds, the motor break assembly needs to be replaced. Contact your Jet service station immediately.

9. Trouble shooting

General note:

Maintenance, cleaning and repair work may only be carried out after the machine is protected against accidental starting.

Pull the mains plug!

All protective and safety devices must be re-attached immediately after completed cleaning, repair and maintenance work.

Repair and maintenance work on the electrical system may only be carried out by a qualified electrician.

Motor doesn't start

*No electricity-
check mains and fuse.

*Defective switch, motor or cord-
consult an electrician.

*Overload has reacted-
Wait and restart.

Machine vibrates excessively

*Stand on uneven floor-
adjust stand for even support.

*Knives of different size-
all knives must have same width.

*Damaged knife-
replace knives set immediately

Cutting surfaces is bad

*Dull knives-
install sharp knives

*Cutter knives blocked by chips-
remove chips.

*Too heavy a cut-
make several passes.

*Knives cutting against grain-
plane work piece in opposite direction.

*Work piece inhomogeneous

*Moisture content too high

Snipe

*Inadequate support of long boards-
use helping roller stand.

*Dull knives-
sharpen knives.

*Knives set too high-
adjust the knives
set the outfeed table higher.

*Work piece twisted-
plane work piece before thickening.

Unparallel side to side

*Knife projection not uniform-
adjust knives with setting gauge.

Work piece jams

*Too much material removed in one
pass-
make several passes.

*Resin build-up on tables-
clean and wax table surfaces.

*Surface of feed rollers too smooth-
clean infeed roller with brush
roughen out feed roller with sandpaper.

Planer table difficult to adjust

*Lack of lubrication-
lubricate excenters and guides.

Thickness table difficult to adjust

*Lack of lubrication-
lubricate central post and screw.

*Thickness table lock is on-
loosen lock handle.

Poor machining power

*Main drive belt slipping-
tighten or replace belt.

*Resin build-up on tables-
clean and wax table surfaces.

*Dull knives-
install sharp knives.

10. Environmental protection

Protect the environment.

Your appliance contains valuable materials which can be recovered or recycled. Please leave it at a specialized institution.



This symbol indicates separate collection for electrical and electronic equipment required under the WEEE Directive (Directive 2012/19/EC) and is effective only within the European Union.

11. Available accessories

Stock number 10000287

Set of 3 high speed steel (HSS) knives
260 x 25 x 3mm (JPTF260-C33)

12. Safe operation

See appendix A (on the last pages of this operating manual)

A1: Planing, stock thickness below 75mm

A2: Edge jointing

A3: Planing of narrow gibs

A4: Planing of short stock with push wood.

FR – Manuel d'Utilisation

Cher client,

Merci pour la confiance que vous nous avez témoignée en achetant votre nouvelle machine JET. Ce Manuel a été préparé pour le propriétaire et les opérateurs d'une **Dégauchisseuse / Raboteuse JET JPT-F260-M / JPT-F260-T** afin de promouvoir la sécurité lors des procédures d'installation, d'utilisation et de maintenance. Veuillez lire et bien comprendre les informations contenues dans ce Manuel d'utilisation et les documents qui l'accompagnent. Pour une durée de vie et une efficacité maximales de votre machine, et pour l'utiliser en toute sécurité, lisez attentivement ce Manuel et respectez-en scrupuleusement les instructions.

...Table des matières

1. Déclaration de conformité

2. Garantie

3. Sécurité

Utilisation autorisée
Remarques générales liées à la sécurité
Risques résiduels

4. Spécifications de la machine

Données techniques
Emissions sonores
Emissions de poussière
Contenu de la livraison
Description de la machine

5. Transport et mise en route

Transport et installation
Montage
Branchements électriques
Branchement de l'aspiration des poussières
Démarrage de la machine

6. Fonctionnement de la machine

Dégauchissage
Rabotage

7. Configuration et réglages

Remplacement des fers
Configuration de la machine pour le rabotage
Affichage numérique de l'épaisseur

8. Maintenance et contrôle

9. Résolution des problèmes

10. Protection de l'environnement

11. Accessoires disponibles

12. Fonctionnement sécurisé (Annexe A)

1. Déclaration de conformité

Nous déclarons par les présentes, sous notre seule responsabilité, que ce produit est conforme aux règlements listés en page 2.

2. Garantie

TOOL Feance garantit que le/les produit(s) fourni(s) est/sont exempt(s) de défauts matière et de vices de fabrication.

Cette garantie ne couvre pas les défauts qui résultent, de façon directe ou indirecte, d'une mauvaise utilisation, d'une négligence, de dommages dus à des accidents, de réparations, ou d'une maintenance ou d'un nettoyage inappropriés, ainsi que résultant d'une usure normale.

D'autres détails concernant la garantie (durée de garantie par exemple) figurent dans les Conditions Générales de Vente (CGV) faisant partie intégrante du contrat.

Ces CGV sont consultables sur le site Web de votre revendeur ou peuvent vous être adressées sur demande. TOOL France se réserve le droit d'apporter à tout moment des modifications au produit et aux accessoires.

3. Sécurité

3.1 Utilisation autorisée

Cette machine est conçue pour raboter du bois, et des matériaux dérivés du bois. L'usinage d'autres matières n'est pas admis, et ne peut être réalisé dans des cas particuliers qu'après consultation du fabricant.

L'usinage de pièces en métal est interdit.

La pièce doit pouvoir être chargée, bridée et guidée en toute sécurité pour l'usinage.

Le bon usage suppose également que les instructions de fonctionnement et de maintenance indiquées dans ce Manuel soient respectées.

La machine ne doit être utilisée que par des personnes familiarisées avec son fonctionnement, la maintenance et la réparation, et qui connaissent les dangers qui y sont liés.

L'âge minimum requis doit être respecté.

La machine ne doit être utilisée qu'en parfait état technique.

Pour travailler sur la machine, tous les mécanismes et capots de sécurité doivent être montés.

En plus des prescriptions liées à la sécurité mentionnées dans ce Manuel et de la législation applicable dans votre pays, il vous faut respecter les réglementations techniques généralement reconnues concernant le fonctionnement de machines pour le travail du bois.

Tout autre utilisation outrepassé les droits.

En cas d'utilisation non autorisée de la machine, le fabricant décline toute responsabilité, celle-ci relevant exclusivement de l'opérateur.

3.2 Remarques générales liées à la sécurité

Les machines pour le travail du bois peuvent être dangereuses si elles ne sont pas utilisées correctement. En conséquence, les réglementations techniques générales appropriées ainsi que les remarques qui suivent doivent être observées.



Lire attentivement et bien comprendre le Manuel d'utilisation avant d'assembler ou de faire fonctionner l'équipement.



Conservez ce Manuel d'utilisation à proximité de la machine, à l'abri de la poussière et de l'humidité, et remettez-le au nouveau propriétaire si vous vous séparez de l'outillage.

Aucune modification ne doit être réalisée sur la machine.

Contrôlez quotidiennement le fonctionnement et la présence des dispositifs de sécurité avant de démarrer la machine.

Si vous constatez des défauts, ne pas tenter de faire fonctionner la machine ; dans ce cas, protégez-la en débranchant le câble d'alimentation.

Ne pas bloquer les protecteurs mobiles en position ouverte. Assurez-vous que ces protecteurs fonctionnent sans entrave, et sans se gripper.

Enlevez les vêtements amples et attachez les cheveux longs et portez une protection capillaire.

Avant de faire fonctionner la machine, retirez cravate, bagues, montres et autres bijoux, et retroussiez les manches au-dessus des coudes.

Portez des chaussures de sécurité, jamais de chaussures de loisir ou de sandales.

Portez toujours une tenue de travail adaptée

- Lunettes de sécurité
- Protection auditive
- Protection contre la poussière



Ne pas porter de gants en faisant fonctionner la machine.



Portez des gants de travail pour manipuler les lames en toute sécurité.

Contrôlez le temps d'arrêt de la machine, il ne doit pas être supérieur à 10 secondes.

Ne PAS arrêter la lame en forçant sur la machine ou en exerçant une pression latérale.

Sécurisez la pièce pour l'empêcher de tourner lorsque vous coupez des pièces circulaires.

Utilisez des rallonges de tables et des aides au maintien adaptées pour des pièces difficiles à manipuler.

Ne jamais utiliser vos mains pour exécuter une coupe

Soyez prudent lors des opérations de rainurage.

Maintenez et guidez les pièces de façon sûre pendant l'usinage.

Ne jamais couper de pièces de trop petites dimensions.

Pour des raisons de sécurité, cette machine nécessite d'être utilisée à deux mains, la posture du corps doit être stable et les pieds doivent reposer à plat.

Installez la machine de façon à avoir un encombrement suffisant pour un fonctionnement et une manipulation sécurisés de la pièce.

Veiller à ce que la zone de travail soit bien éclairée.

La machine est conçue pour fonctionner en milieu fermé et doit être positionnée de façon stable sur un plancher solide et de niveau.

Veillez à ce que le câble d'alimentation n'entrave pas le travail et que les personnes ne puissent pas trébucher.

Le sol dans le périmètre de la machine doit rester propre et exempt de tout rebut, huile et graisse.

Restez vigilant !

Consacrez une pleine attention à votre travail.

Adoptez une position ergonomique du corps.



Gardez une position équilibrée à tout moment.

Ne pas faire fonctionner la machine si vous êtes fatigué.

Ne pas faire fonctionner la machine sous l'emprise de drogues, d'alcool ou de médicaments. Ayez conscience qu'un traitement médical peut modifier votre comportement.

Maintenez les enfants et les visiteurs à une distance suffisante de la zone de travail.

Ne pas toucher la machine lorsqu'elle fonctionne ou est en passe de s'arrêter.



Ne jamais laisser la machine tourner sans surveillance.

Arrêtez la machine avant de quitter votre poste de travail.

Ne pas faire fonctionner l'outillage électrique à proximité de liquides ou de gaz inflammables. Une étincelle peut provoquer un incendie.

Respectez les consignes de lutte contre le feu et de protection anti-incendie, comme le fonctionnement et l'emplacement de l'extincteur.

Ne pas utiliser la machine en milieu humide, ne pas l'exposer à la pluie.

La poussière de bois est explosive et peut également représenter un risque pour la santé.

La poussière émanant de certains bois tropicaux en particulier, et de bois durs comme le hêtre ou le chêne, est classée comme substance cancérigène. Utilisez toujours un dispositif d'extraction des poussières adapté.

Avant tout usinage, retirez de la pièce les clous et autres corps étrangers.

Les spécifications concernant la taille maximale ou minimale de la pièce doivent être respectées.

Ne pas forcer sur l'outil. Votre équipement sera plus performant et plus sûr s'il est utilisé en respectant la vitesse pour laquelle il a été conçu.

Ne pas enlever les copeaux et les éléments de la pièce tant que la machine n'est pas à l'arrêt complet.

Ne jamais faire fonctionner la machine lorsque les protections ne sont pas en place – risque élevé de blessures graves !

Les travaux de raccordement et de réparation sur l'installation électrique doivent être réalisés uniquement par un électricien qualifié.



Déroulez toujours entièrement les câbles prolongateurs/rallonges.

Une rallonge électrique endommagée doit être remplacée immédiatement.

N'utilisez pas l'outil électrique si l'interrupteur ON/OFF ne permet pas de le mettre en marche et de l'arrêter.

Débranchez la machine de l'alimentation électrique pour procéder à tous les réglages machine et à une maintenance.



N'utilisez pas de lames en acier rapide (HSS).

Retirez immédiatement une lame qui est défectueuse.

Sélectionnez la lame par rapport à la matière à couper.

Utilisez exclusivement les lames recommandées par le fabricant.

Remplacez l'insert de table lorsqu'il est usagé.

Ne pas porter votre regard sur le faisceau laser.

Ne pas diriger le faisceau laser vers des personnes ou des animaux.

Ne pas utiliser le faisceau laser sur des surfaces hautement réfléchissantes, la lumière réfléchie étant dangereuse.

La réparation d'un faisceau laser ne doit être effectuée que par un spécialiste.

3.3 Risques résiduels

En utilisant la machine conformément aux réglementations, des dangers résiduels peuvent toutefois subsister.

Le fait de toucher le cylindre de coupe dans la zone d'usinage peut provoquer des blessures. Pour une protection efficace, le protecteur du cylindre de coupe doit toujours être adapté à la pièce à usiner.

Risque de rebond. La pièce est happée par le cylindre de coupe en mouvement et projetée en direction de l'opérateur.

La projection de pièces peut entraîner des blessures.

Risque de « piégeage » par le mécanisme d'avance électrique.

Risque d'écrasement à la sortie de la pièce.

La sciure de bois et le bruit peuvent représenter un danger pour la santé.

Veillez à porter un équipement de protection individuelle tel que des lunettes de sécurité et une protection auditive. Utilisez un système d'aspiration des poussières adapté.

L'utilisation d'une alimentation secteur ou d'un câble d'alimentation incorrects peut entraîner des blessures dues à l'électricité.

4. Spécifications de la machine

4.1 Données techniques

JPT-F260-M & JPT-F260-T :

Dégauchissage

Largeur dégauchissage	max 258 mm
Longueur table	1100mm
Hauteur au-dessus du sol	850mm
Dimensions du guide	1100 x 150mm
Inclinaison du guide	0 - 45°
Profondeur de coupe	max.3 mm

Rabotage

Largeur rabotage	max 258 mm
Hauteur rabotage	5 - 190 mm
Longueur table	600mm
Longueur mini. de la pièce	150mm
Vitesse d'avance	6,0 m/min
Profondeur de coupe	max. 4,5 mm

Nombre de fers	3
Dia. du cylindre de coupe	Ø71 mm
Vitesse rotation	5000 t/min
Coupe par minute	15000
Longueur fer de coupe	260 mm
Largeur fer de coupe	15 - 25mm
Épaisseur fer de coupe	3mm

Dia. de sortie aspiration	100mm
Dim. hors-tout (LxlxH)	1100x900x1000
Poids net	202 kg

Alimentation	230V ~1/N/PE 50Hz
Puissance de sortie	1,7 kW (2,3 HP) S1
Courant de référence	9.70 A
Rallonge (H07RN-F)	3x1,5mm ²
Protection par fusible	16A

Alimentation	400V ~3/PE 50Hz
Puissance	2,5 kW (3,3 HP) S1
Courant de référence	5,0 A
Rallonge (H07RN-F)	4x1,5mm ²
Protection par fusible	16A

4.2 Emissions sonores

Déterminées selon la norme EN 861 (Tolérance de contrôle 4 dB)

Pièce en bois de sapin :
W1100mm, L=1000mm, humidité 8,5%

Dégauchissage :

Niveau de puissance acoustique (selon la norme EN ISO 3746) :

au ralenti	LwA 89,8 dB(A)
en marche	LwA 101,8 dB(A)

Niveau de pression acoustique (selon la norme EN ISO 11202) :

au ralenti	LpA 78,9 dB(A)
en fonctionnement	LpA 96,5 dB(A)

Rabotage :

Niveau de puissance acoustique (selon la norme EN ISO 3746) :

au ralenti	LwA 92,6 dB(A)
en fonctionnement	LwA 103,5 dB(A)

Niveau de pression acoustique (selon la norme EN 11202) :

Position marche 1 :

au ralenti	LpA 74,4 dB(A)
en fonctionnement	LpA 91,8 dB(A)

Position marche 2 :

au ralenti	LpA 84,4 dB(A)
en fonctionnement	LpA 95,7 dB(A)

Les valeurs spécifiées sont des niveaux d'émission et ne sont pas nécessairement à considérer comme des niveaux de fonctionnement sans risque. Bien qu'il y ait une corrélation entre les niveaux d'émission et d'immission, ceci ne constitue pas une base pour déterminer de la nécessité de mesures de sécurité supplémentaires.

Les conditions au poste de travail pouvant avoir une influence sur le niveau des immissions dues au bruit incluent la durée de résonance, l'environnement spatial, d'autres sources de bruit, etc., le nombre de machines et autres travaux réalisés par exemple. Les niveaux admis au poste de travail peuvent différer d'un pays à l'autre.

Ces informations doivent permettre à l'utilisateur de mieux apprécier les dangers et risques encourus.

4.3 Emissions de poussière

La dégauchisseuse/raboteuse a fait l'objet d'un contrôle au niveau de l'émission de poussières.

A une vitesse de l'air de 20 m/s à l'orifice de sortie de Ø 100mm :	
Pression d'aspiration	900 Pa
Débit volumétrique	565 m ³ /h

La machine respecte une limite d'émission des poussières de 2 mg/m³ au poste de travail.

4.4 Contenu de la livraison

Ensemble dégauchisseuse/raboteuse
Ensemble guide à dégauchir.
Protection du cylindre de coupe
Calibre de réglage des fers
Manuel Utilisateur

Nomenclature (liste des pièces détachées)

4.5 Description de la machine

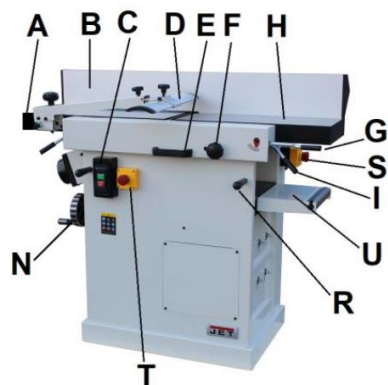


Fig. 1

- A....Table de sortie
- B....Guide à dégauchir
- C....Interrupteur ON/OFF
- D....Protection du cylindre de coupe
- E....Poignée d'inclinaison de la table
- F....Blocage du réglage de la table
- G....Manette de réglage de la table
- H....Table d'entrée
- I....Manette de blocage de la table sur le socle
- J....Prise secteur (non représentée) (Fig. 2)

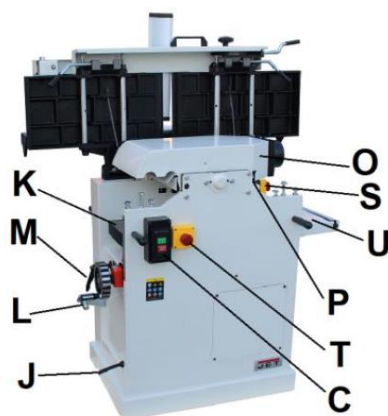


Fig. 2

- K....Table de rabotage
- L....Levier ON/OFF des rouleaux d'avance
- M....Verrouillage de la table de rabotage
- N....Manivelle de réglage de la table de rabotage (Fig. 1)
- O.....Capot à poussière
- P.....Bouton de déblocage du capot
- R.....Poignée de transport
- S.....Interrupteur d'arrêt d'urgence (Fig. 1)
- T.....Interrupteur d'arrêt d'urgence
- U.....Table à allonge

5. Transport et mise en route

5.1 Transport et installation

Pour le transport, utiliser un chariot élévateur ou un chariot manuel. Assurez-vous que la machine ne puisse ni basculer ni tomber pendant le transport.

Retirez les boulons de transport et dégagez avec précaution la machine de la palette en la faisant glisser.

ATTENTION :

Les tables de dégauchissage sont précisément alignées en usine. Elles ne peuvent être chargées que lorsqu'elles sont fermées et que les verrous de la table sont verrouillés (I, Fig. 1), elles risquent sinon d'être endommagées.

Les 4 poignées de transport (R, Fig. 2) sont uniquement destinées à décharger la machine de la palette lors du déballage.

La machine est conçue pour fonctionner en milieu fermé et doit être placée sur un plancher de niveau.

La machine peut, si nécessaire, être fixée au sol.

5.2 Montage

Si vous constatez, au cours du déballage, des dégradations dues au transport, veuillez-en informer immédiatement votre fournisseur. Ne pas faire fonctionner la machine !

Éliminez l'emballage dans le respect de l'environnement.

Nettoyez toutes les surfaces protégées de la rouille avec un solvant doux.

Montage du guide

Les éléments suivants doivent être à disposition pour monter le guide : Le guide parallèle d'inclinaison (E), le guide (F), le support de montage du guide avec les vis TC (G), et les deux poignées Jacquard (H).

Alignez les trous pré-perçés du support de montage (G) avec les trous filetés du milieu de la table sur l'arrière de la machine, puis fixez avec les deux vis TC (B, Fig. 3) à l'aide d'une clé hexagonale (A, Fig. 3).

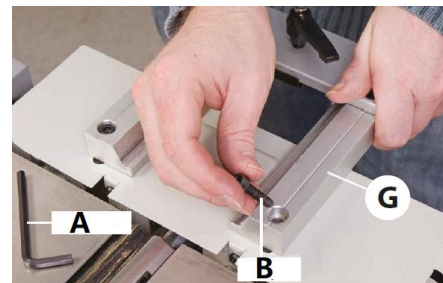


Fig. 3

Desserrez la poignée de serrage du support de montage (Fig. 3), insérez suffisamment la plaque de base du système d'inclinaison (E) à travers le support de montage (G) pour l'étape suivante. Serrez la poignée de serrage, voir Fig. 4

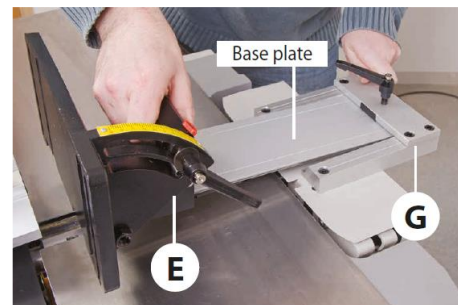


Fig. 4

Placez les deux poignées Jacquard (H) et le guide (F), voir Fig. 19. Positionnez le guide contre le boîtier du guide parallèle d'inclinaison (E). Alignez les trous pré-perçés de la plaque de montage sur le guide arrière avec les fentes en queue d'aronde du système d'inclinaison (E).

Remarque : assurez-vous que le guide est dans le bon sens et que le cylindre de coupe est bien au même niveau que les tables.

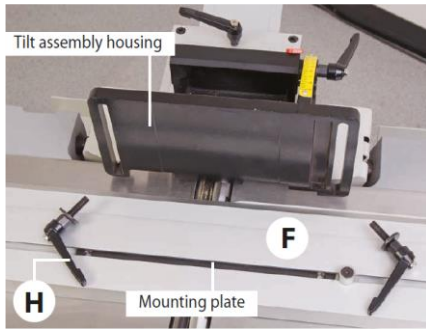


Fig. 5

Insérez le filetage de l'une des poignées Jacquard (H) dans la fente en queue d'aronde et vissez-le dans la plaque de montage du guide, voir Fig. 6.



Fig. 6

(A noter que les poignées Jacquard ont été retirées pour faciliter le vissage du boulon fileté.)

Remplacez la poignée et fixez-la à l'aide de la vis/du ressort Phillips, voir Fig. 7. Répétez l'opération pour l'autre poignée.



Fig. 7

Faites glisser le guide (F) jusqu'en butée contre le boîtier du système d'inclinaison (E), puis serrez les poignées Jacquard. Butée du guide (A), vis hexagonale de serrage de la butée du guide (B), voir Fig. 8.

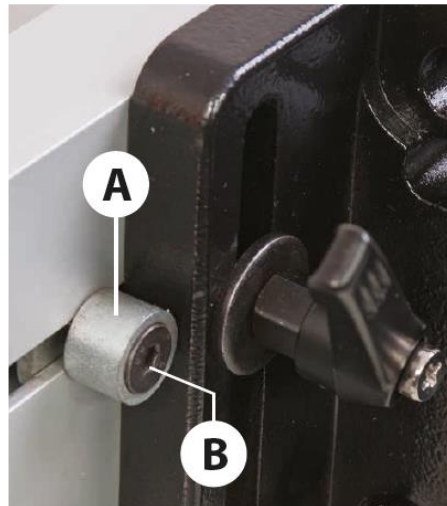


Fig. 8

Ensemble système d'inclinaison (A), poignées Jacquard pour soulever et déplacer le guide (B), graduation (C), poignée de blocage d'inclinaison (D)

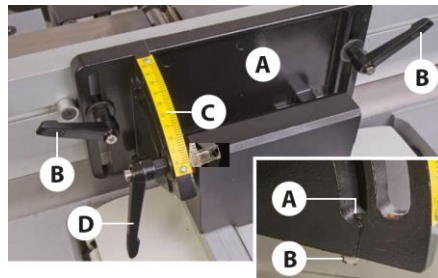


Fig. 9

Butée d'inclinaison (A) ; écrou de réglage (B)

5.3 Branchements électriques

Les branchements électriques et tous les câbles prolongateurs utilisés doivent être conformes aux réglementations en vigueur.

La tension d'alimentation doit concorder avec les informations figurant sur la plaque signalétique de la machine.

Le branchement électrique doit comporter un fusible contre les surtensions de 16 A.

Utilisez uniquement des câbles/cordons d'alimentation marqués H07RN-F

Les branchements et réparations à réaliser sur l'équipement électrique doivent être exclusivement effectués par des électriciens qualifiés.

ATTENTION :

- Avant de démarrer la machine, vérifiez d'abord que le cylindre de coupe tourne librement et que tous les dispositifs de sécurité sont en place.

- Si le sens de rotation n'est pas correct, le convertisseur de phase à l'intérieur de l'Europlug (fiche CEE) doit être poussé et tourné de 180°.

(Voir la flèche de rotation sur la machine pour une rotation correcte).

5.4 Raccordement de l'évacuation des poussières

Avant la première mise en route, la machine doit être raccordée à un extracteur de poussières. L'aspiration doit se mettre automatiquement en marche dès que la machine est démarrée.

Le débit à l'orifice d'aspiration doit être de 20m/sec.

Les flexibles doivent être ininflammables et être raccordés au système de mise à la terre de la machine.

5.5 Démarrage de la machine

Vous démarrez la machine avec le bouton vert, le bouton rouge de l'interrupteur principal arrête la machine (C, Fig. 10).

Pour arrêter la machine en cas d'urgence, appuyez sur le bouton coupe-poing. (U, Fig. 10).

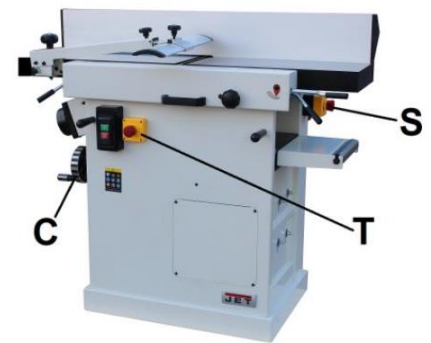


Fig. 10

L'alimentation électrique peut être enclenchée et désenclenchée avec la poignée (L, Fig. 2).

En cas de surcharge de la machine, le coupe-circuit de surcharge moteur se déclenche.

La machine peut être remise en marche après avoir refroidi environ 10 minutes.

6. Fonctionnement de la machine

Le changement de mode de fonctionnement (dégauchissage à

rabotage et inversement) ne peut être effectué que lorsque la machine est à l'arrêt complet.

6.1 Dégauchissage et rabotage

Position de travail à adopter :

Positionnez-vous de façon décalée par rapport à la table d'entrée (Fig. 11).

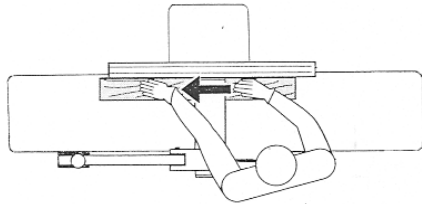


Fig. 11

Manipulation de la pièce :

Faites avancer la pièce tout droit à travers la table d'entrée, en maintenant vos doigts rapprochés et en guidant la pièce avec la paume de vos mains.

Ne mettez jamais vos mains sous le capot du cylindre de coupe.

Gardez toujours vos mains à l'écart du cylindre de coupe.

Ne tirez pas la pièce vers l'arrière en la faisant passer au-dessus du cylindre de coupe non protégé.

Dégauchissez toujours la pièce sur toute sa longueur.

Régalez la profondeur de coupe avec le levier (G).

Desserrez le bouton de blocage (F) du réglage.

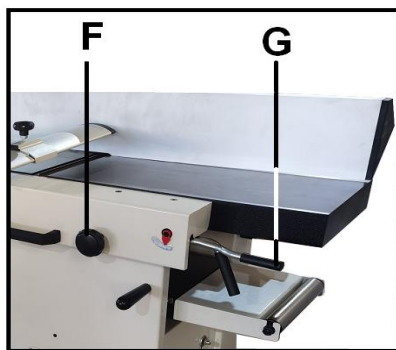


Fig. 12

Les pièces de grande longueur (plus longues que les tables à dégauchir) doivent être soutenues avec des supports à rouleaux ou des rallonges de table.

Dégauchissage d'une pièce d'une épaisseur maximale de 75 mm :

Placez la pièce contre le guide à dégauchir. Réglez la protection du cylindre de coupe à la hauteur de la pièce. Lorsque vous guidez la pièce, les

mains glissent au-dessus de la protection du cylindre de coupe (Fig. 13)

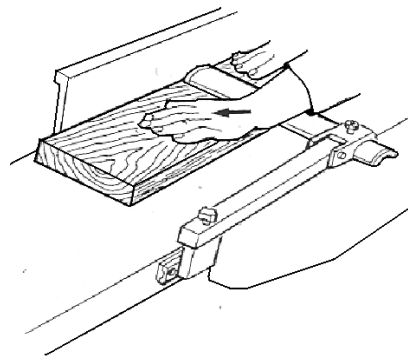


Fig. 13

Dégauchissage du champ d'une pièce ou de pièces de plus de 75 mm d'épaisseur :

Placez la pièce contre le guide à dégauchir.

Adaptez la protection du cylindre de coupe à la largeur de la pièce à façonner (Fig. 14).

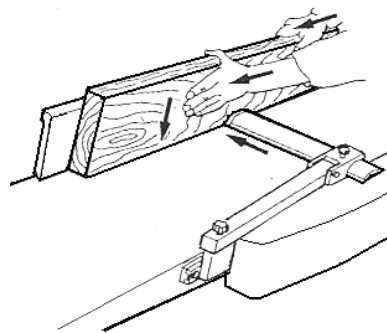


Fig. 14

Chanfreinage d'une pièce :

Placez la pièce contre le guide à dégauchir.

Adaptez la protection du cylindre de coupe à la largeur de la pièce à façonner (Fig. 15).

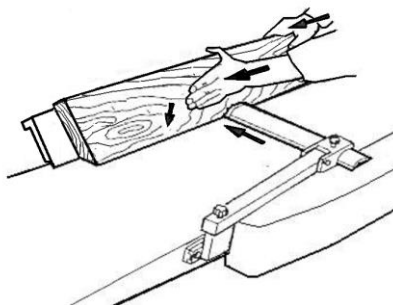


Fig. 15

Dégauchissage de pièces étroites :

Ajoutez un guide auxiliaire pour guider

les pièces étroites en toute sécurité (voir Fig. 16).

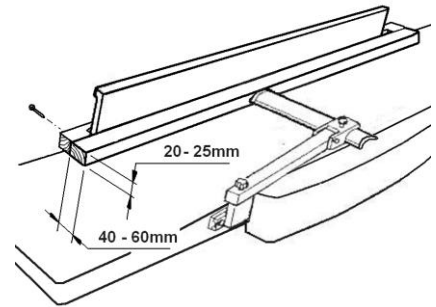


Fig. 16

Remarques relatives au fonctionnement :

Les tables de dégauchissage sont alignées avec précision en usine. Elles ne peuvent être chargées que lorsque les verrous de la table sont verrouillés, sinon elles risquent d'être endommagées, ou bien la machine peut perdre sa précision.

Utilisez toujours des fers tranchants !

Vérifiez l'absence de corps étrangers (clous, vis) et de nœuds sur la pièce.

Avancez avec l'extrémité de la pièce la plus épaisse vers l'avant, côté creux vers le bas.

Dégauchissez la pièce dans le sens du grain, si possible.

Vous obtiendrez une meilleure surface en dégauchissant en plusieurs passes, en enlevant moins de copeaux.

Arrêtez la machine si vous n'effectuez plus de dégauchissage dans l'immédiat. Couvrez le cylindre de coupe avec le protecteur.

Le dégauchissage et le rabotage de pièces courtes ne peuvent être effectués qu'à l'aide de poussoirs et de gabarits.

Concernant l'usage autorisé de la machine, veuillez respecter le § Sécurité de fonctionnement de l'annexe A (dernières pages du présent Manuel Utilisateur)

A1: Dégauchissage, épaisseur du bois inférieure à 75mm.

A2: Dégauchissage de champs.

A3: Dégauchissage de pièces étroites.

A4: Dégauchissage d'une pièce de bois courte avec poussoir.

6.2 Rabotage

Position de travail à adopter :
Pour introduire la pièce dans la

machine, positionnez-vous de façon décalée côté ouverture.

Manipulation de la pièce :

Réglez la table à raboter sur l'épaisseur de la pièce.

Introduisez la pièce lentement et tout droit dans la raboteuse. Elle sera alors automatiquement introduite à travers la raboteuse.

Guidez la pièce tout droit à travers la raboteuse.

Pour retirer la pièce de la machine, positionnez-vous de façon décalée côté ouverture de la sortie.

Les pièces de grande longueur doivent être soutenues à l'aide de supports à rouleaux.

Remarques relatives au fonctionnement :

Utilisez toujours des fers tranchants !

Avancez avec l'extrémité de la pièce la plus épaisse vers l'avant, côté creux vers le bas.

Profondeur de coupe 4,5 mm maxi. Si une pièce est coincée, abaissez la table de rabotage d'environ 1mm (1/4 de tour de manivelle).

Rabotez la pièce dans le sens du grain, si possible.

Vous obtiendrez une meilleure surface en rabotant en plusieurs passes, en enlevant moins de copeaux.

Arrêtez la machine si vous n'effectuez plus de rabotage dans l'immédiat.

Il est interdit de raboter des pièces d'une longueur inférieure à 150mm.

Ne pas usiner plus de 2 pièces à la fois. Alimentation par les deux côtés extérieurs.

7. Configuration et réglages

Remarque d'ordre général :

Les opérations de configuration et de réglage ne doivent être exécutées qu'une fois la machine protégée contre tout démarrage accidentel.

Appuyez sur le bouton d'arrêt d'urgence.

Débranchez la prise !

7.1 Remplacement des fers du cylindre de coupe

Les instructions données concernant le montage des fers, le diamètre maxi. du cylindre de coupe, la largeur minimale de serrage des fers et le couple de serrage correct du boulon de blocage du fer doivent être respectées de façon stricte.

Les fers ne doivent être remplacés que lorsque la prise secteur est débranchée !

Risque de blessures du fait de coupures occasionnées par les fers. Portez des gants adaptés pour remplacer les fers.

Déplacez le capot du cylindre de coupe vers l'avant et le guide vers l'arrière.

Vissez à fond les quatre boulons à tête carrée de la barre de blocage du contrefer (portez des gants !).

Retirez d'abord le fer, puis la barre de blocage du contrefer du cylindre de coupe.

A l'aide d'un solvant adéquat, nettoyez toutes les surfaces du cylindre de coupe et de la barre de blocage du contrefer (ne pas utiliser de produits nettoyants susceptibles de corroder les composants en métal léger).

N'utilisez que des fers conformes à la spécification technique et à la norme EN 847-1

Des fers inadaptés, mal montés, émoussés, fissurés ou déformés peuvent se détacher ou accroître considérablement le risque de « rebond ».

Remplacez toujours les trois fers en même temps.

Les barres de blocage du contrefer sont équilibrées les unes par rapport aux autres, et peuvent donc être placées de façon aléatoire.

Seuls les fers marqués « HS » et « HSS » peuvent être réaffûtés ! Lors du réaffûtage, la même quantité de matière doit être enlevée des trois fers. Dans le cas contraire, une erreur d'équilibrage est susceptible d'endommager les roulements.

Les fers ne peuvent être réaffûtés que jusqu'à une largeur minimale de 15mm.

Les fers ne doivent pas dépasser du cylindre de coupe de plus de 1,1mm de rayon.

Utilisez exclusivement des pièces de rechange d'origine JET.

Remplacement des lames standards

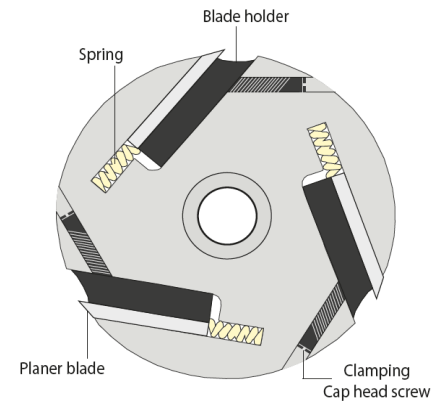


Fig. 17

Tournez le cylindre de coupe jusqu'à ce que l'une des fentes soit en position verticale. A l'aide d'une clé hexagonale de 4 mm, desserrez les quatre vis TC du cylindre de coupe, ce qui élimine l'effet de serrage. Cela doit permettre au fer de se « redresser », en dépassant du bord du cylindre de coupe, voir Fig. 18.

Retirez délicatement le fer et mettez-le de côté avec précaution.

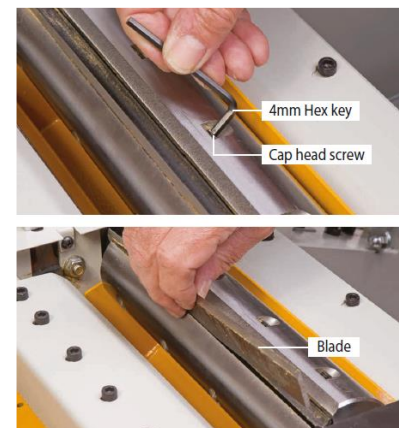


Fig. 18

Retirez le contrefer et posez-le avec précaution. Nettoyez soigneusement le logement de la fente, enlevez toute accumulation de résine, de sciure, de copeaux, etc. Nettoyez le contrefer et assurez-vous que le pourtour du cylindre de coupe est bien nettoyé (Fig. 19).

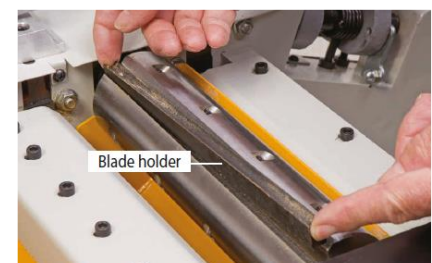


Fig. 19

Retirez le fer neuf de son support et placez-y l'ancien fer. Positionnez l'outil de réglage de la lame (L), voir Fig. 20.



Fig. 20

Introduisez le contrefer, positionnez-le contre l'arrière de la fente, introduisez le fer à l'avant du contrefer. Positionnez soigneusement le fer et le contrefer pour les aligner avec le bord du cylindre de coupe. Appuyez doucement l'outil de réglage sur le fer, en veillant à ce que les pieds de positionnement soient en appui contre le pourtour du cylindre de coupe et que le fer soit contre l'encoche (le calibre) de réglage, voir Fig. 21.

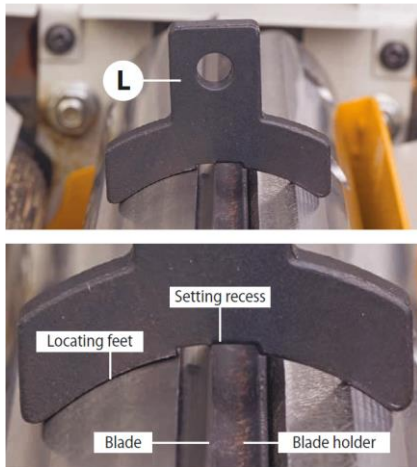


Fig. 21

En maintenant le fer et l'outil de réglage (L) en position, vissez deux vis TC pour serrer fermement la lame. En maintenant l'outil de réglage fermement en place, vissez les autres vis TC, voir Fig. 22.

Répétez la procédure pour les deux autres fers. Une fois tous les fers réglés à la bonne hauteur, effectuez un rapide contrôle en tournant le cylindre de coupe dans le sens inverse, et effectuez un contrôle visuel du bord de la lame par rapport à un point fixe.

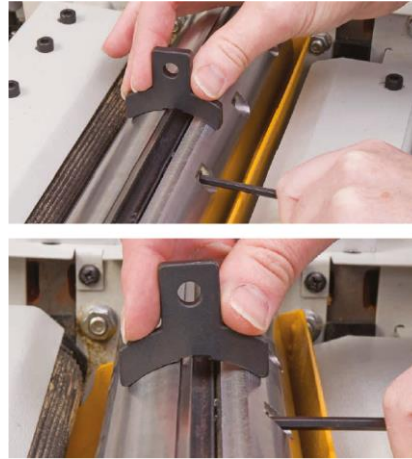


Fig. 22

Si cela semble satisfaisant, faites le tour et vérifiez que tout est bien serré, abaissez les tables et reverrouillez-les. Remplacez l'ensemble guide et poursuivez.

REMARQUE : Vous pouvez également vérifier que les lames sont réglées à la bonne hauteur sur toute la longueur du cylindre de coupe en procédant selon la méthode ci-dessous.

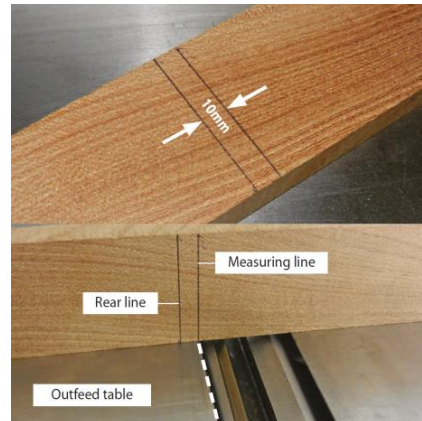


Fig. 23

• Prenez une chute de bois et tracez deux lignes de mesure distantes d'environ 3-4 mm, voir Fig. 23.

• Placez le bois d'un côté du cylindre de coupe, à travers les tables, et alignez la ligne de mesure droite sur le bord de la table de sortie, voir Fig. 23.

• Faites tourner le cylindre de coupe de sorte que la lèvre du fer tire le bois vers l'avant, arrêtez lorsque le fer se détache du bois.

• La ligne arrière doit maintenant être alignée avec le bord de la table de sortie, voir Fig. 23.

7.2 Réglage de la machine pour le rabotage

1. Retirez l'ensemble guide et placez-le dans son support à l'arrière de la machine. Déverrouillez les tables et relevez-les en position verticale.

2. Faites pivoter le capot d'aspiration des poussières jusqu'à ce qu'il soit en position verticale.

3. Enclencher le levier de verrouillage pour engager la fonction de rabotage, voir Fig. 24.

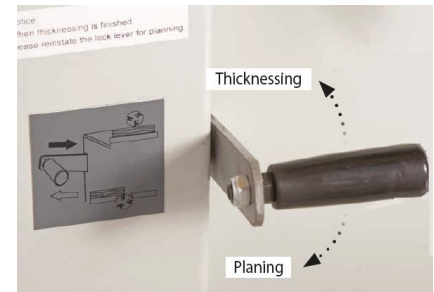


Fig. 24

7.3 Affichage numérique de l'épaisseur

L'affichage numérique donnera une indication visuelle précise du réglage de la table à raboter par intervalles de 0,10mm.

L'affichage numérique doit être préconfiguré en usine mais peut, si nécessaire, être paramétré comme suit.

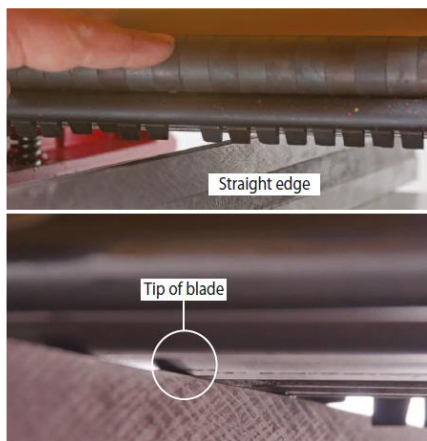


Fig. 25

Placez une règle droite sur la table de rabotage, levez la table jusqu'à ce que la lèvre du fer, à son point le plus bas, touche le haut de la règle droite, voir Fig. 25.

A l'aide d'un vernier, mesurez la hauteur de la règle droite et notez la valeur lue, voir Fig. 26.

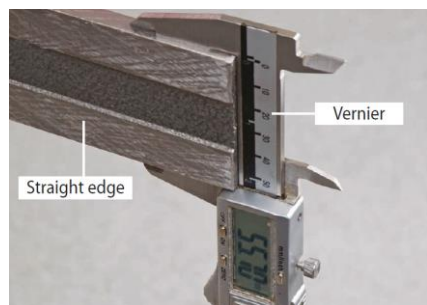


Fig. 26

Desserrez la vis sans tête qui maintient le mécanisme de la bague de maintien, tournez la bague de l'unité d'affichage numérique et entrez la mesure que vous avez notée, voir Fig. 27. Vissez la vis sans tête, en serrant la bague sur l'arbre d'entraînement.



Fig. 29

Retirez la règle droite de la table de rabotage.

8. Maintenance et contrôle

Remarque d'ordre général :

Les opérations de maintenance, de nettoyage et de réparation ne doivent être exécutées qu'une fois la machine protégée contre tout démarrage accidentel.

Débrancher la prise d'alimentation !

Nettoyez la machine à intervalles réguliers.

Contrôlez quotidiennement le bon fonctionnement de l'extraction des poussières.

Les fers défectueux doivent être immédiatement remplacés.

Avant toute intervention, contrôlez la mobilité des languettes antiretour (elles doivent se repositionner d'elles-mêmes).

Des dispositifs de protection défectueux doivent être immédiatement remplacés.

Tous les dispositifs de protection et de sécurité doivent être immédiatement refixés après un nettoyage, une réparation ou une maintenance.

Les travaux de réparation et de maintenance sur le système électrique ne doivent être exécutés que par un électricien qualifié.

Courroie d'entraînement :

La tension de la courroie doit être contrôlée à intervalles réguliers.

Frein moteur :

Le frein moteur fonctionne de façon électromécanique.
Si le temps de freinage est supérieur à 10 secondes, le dispositif de frein moteur devra être remplacé. Contactez immédiatement votre revendeur JET.

9. Résolution des problèmes

Remarque d'ordre général :

Les opérations de maintenance, de nettoyage et de réparation ne doivent être exécutées qu'une fois la machine protégée contre tout démarrage accidentel.

Débrancher la prise d'alimentation !

Tous les dispositifs de protection et de sécurité doivent être immédiatement refixés après un nettoyage, une réparation ou une maintenance.

Les travaux de réparation et de maintenance sur le système électrique ne doivent être exécutés que par un électricien qualifié.

Le moteur ne démarre pas

*Pas d'électricité -
contrôler l'alimentation et les fusibles.

* Interrupteur, moteur ou câble défectueux -
faire appel à un électricien.

*La protection thermique a réagi -
Attendre et redémarrer.

La machine vibre de façon excessive

*Le bâti/socle est sur un plancher qui n'est pas plane -
régler le bâti/socle pour équilibrer.

*Fers de différentes tailles -
tous les fers doivent avoir la même largeur.

*Fer endommagé -
remplacer immédiatement le set de fers.

La coupe est mauvaise

*Fers émoussés -
monter des fers aiguisés.

*Les fers de coupe sont bloqués par les copeaux -
retirer les copeaux.

*Coupe trop « lourde » -
exécuter plusieurs passes.

*Les fers ne coupent pas dans le sens du grain -
raboter la pièce dans le sens opposé.

*La pièce n'est pas homogène.

*La teneur en humidité est trop élevée.

Porte-à-faux

*Soutien inadapté de pièces longues - utiliser des supports auxiliaires à rouleaux.

* Fers émoussés - affûter les fers.

*Fers réglés trop haut - régler les fers
régler plus haut la table de sortie.

*Pièce tordue - dégauchir la pièce avant rabotage.

Non parallèle d'un côté à l'autre

*Projection non uniforme du fer - régler les fer avec un calibre de réglage.

La pièce reste bloquée

*Trop de matière enlevée en une seule passe - exécuter plusieurs passes.

* Dépôt de résine sur les tables - nettoyer et appliquer de la cire sur les surfaces de la table.

*Surface trop lisse des rouleaux d'avance - nettoyer les rouleaux avec une brosse
poncer le rouleau avec du papier de verre.

Table à dégauchir difficile à régler

*Manque de lubrification - lubrifier les excentriques et guides.

Table de rabotage difficile à régler

* Manque de lubrification - lubrifier le support central et la vis (central post).

*La table de rabotage est verrouillée - desserrer la poignée de blocage.

Faible puissance d'usinage

*La courroie d'entraînement glisse - tendre ou remplacer la courroie.

*Dépôt de résine sur les tables - nettoyer et appliquer de la cire sur les surfaces de la table.

* Fers émoussés - monter des fers aiguisés.



Ce symbole indique une collecte séparée des équipements électriques et électroniques conformément à la Directive DEEE (Directive 2012/19/EC). Cette directive ne s'applique que dans l'Union Européenne.

11. Accessoires disponibles**N° d'article 10000287**

Ensemble de 3 fers en acier rapide (HSS) 260 x 25 x 3mm (JPTF260-C33)

12. Sécurité de fonctionnement

Voir Annexe A (dernières pages du présent Manuel Utilisateur)

A1: Dégauchissage, épaisseur de bois inférieure à 75mm

A2: Dégauchissage de champs

A3: Dégauchissage de pièces étroites

A4: Dégauchissage d'une pièce de bois courte avec un poussoir.

10. Protection de l'environnement

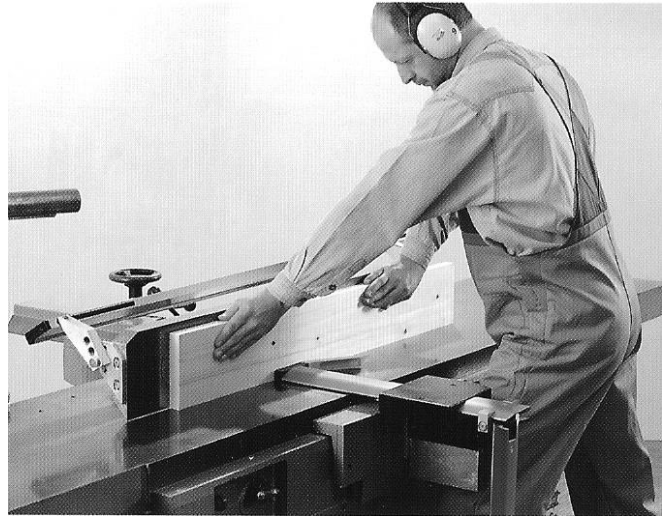
Protégez l'environnement.

Votre équipement renferme des matériaux précieux pouvant être récupérés ou recyclés. Faites appel à un organisme spécialisé pour le mettre au rebut.

A1



A2



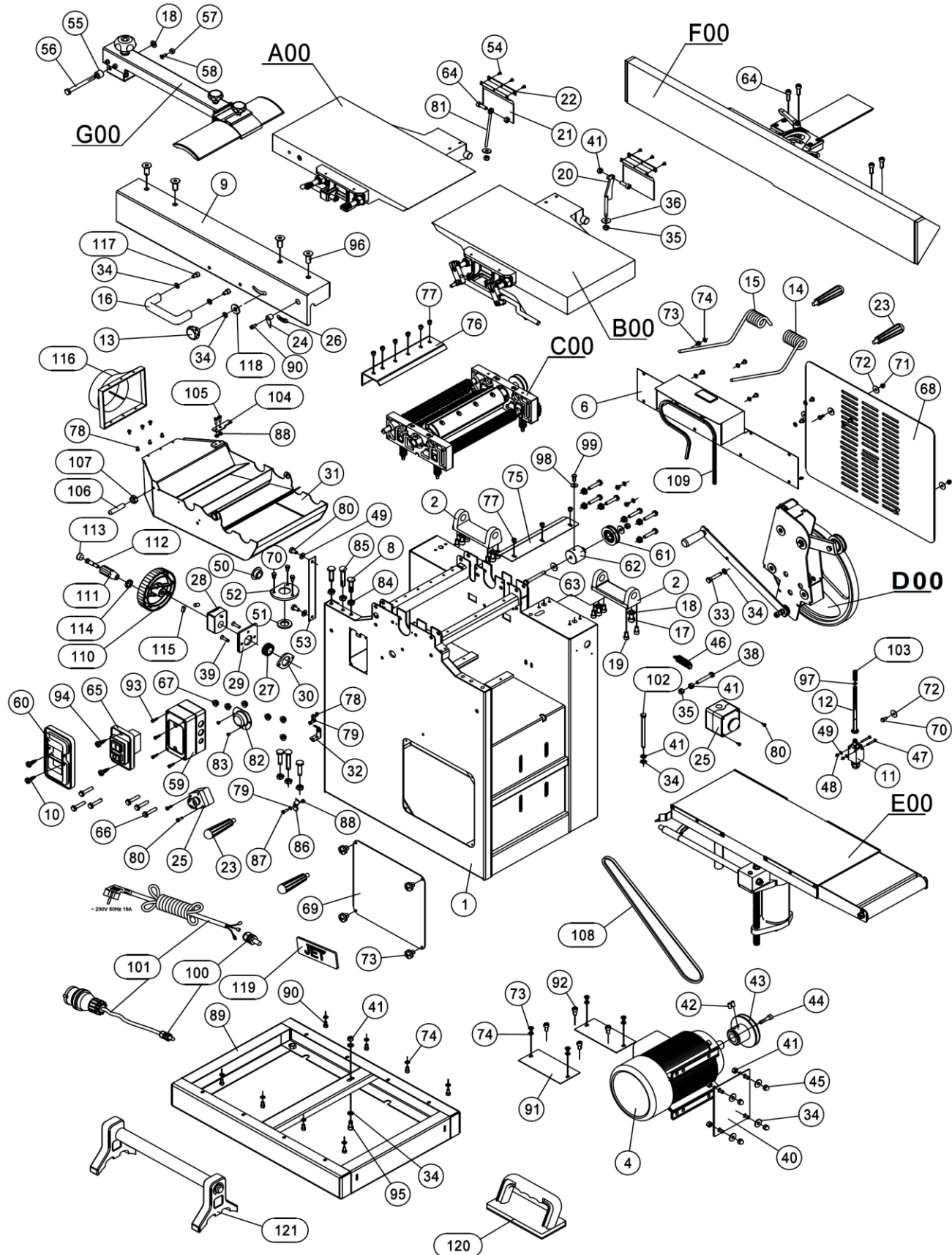
A3



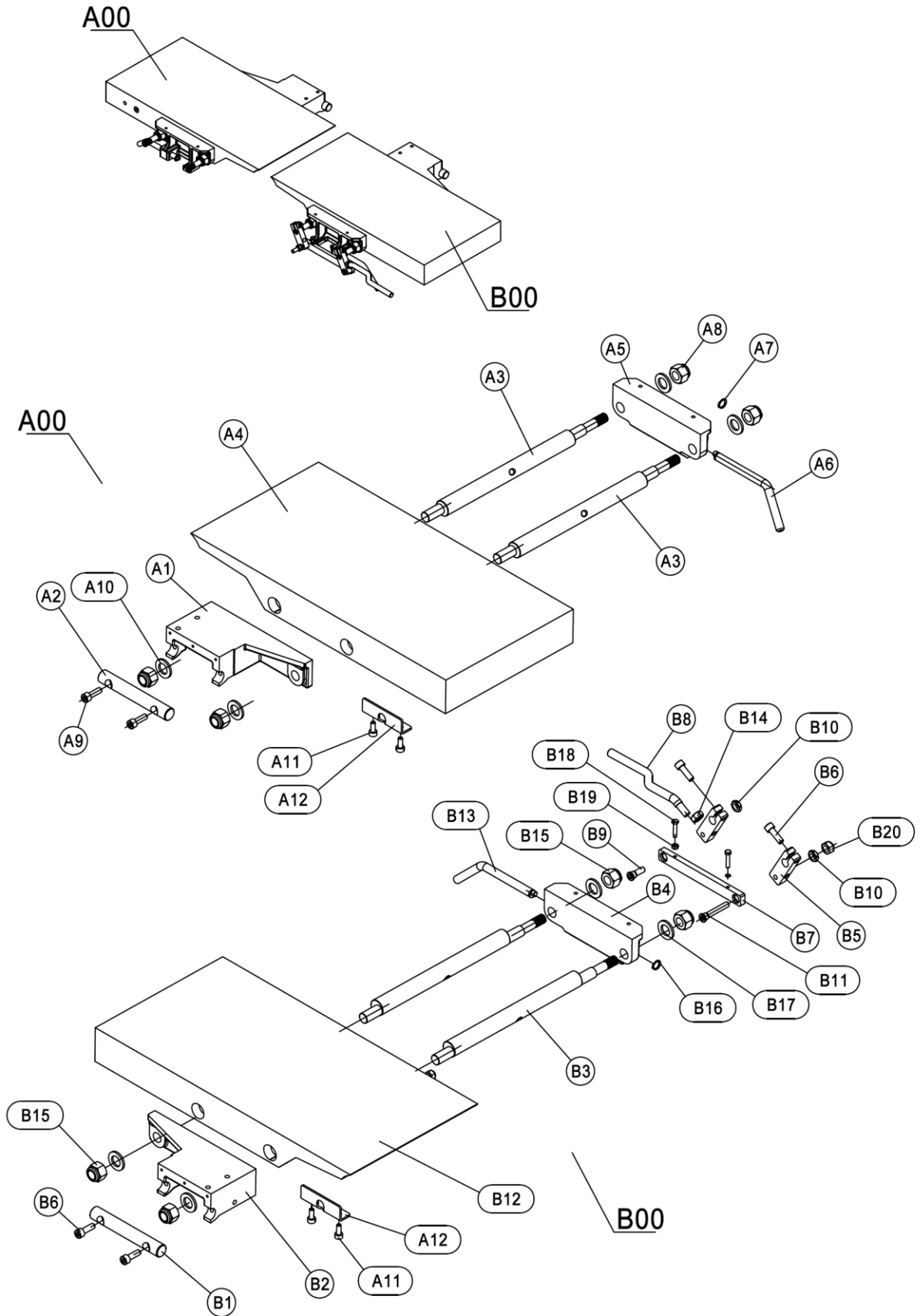
A4



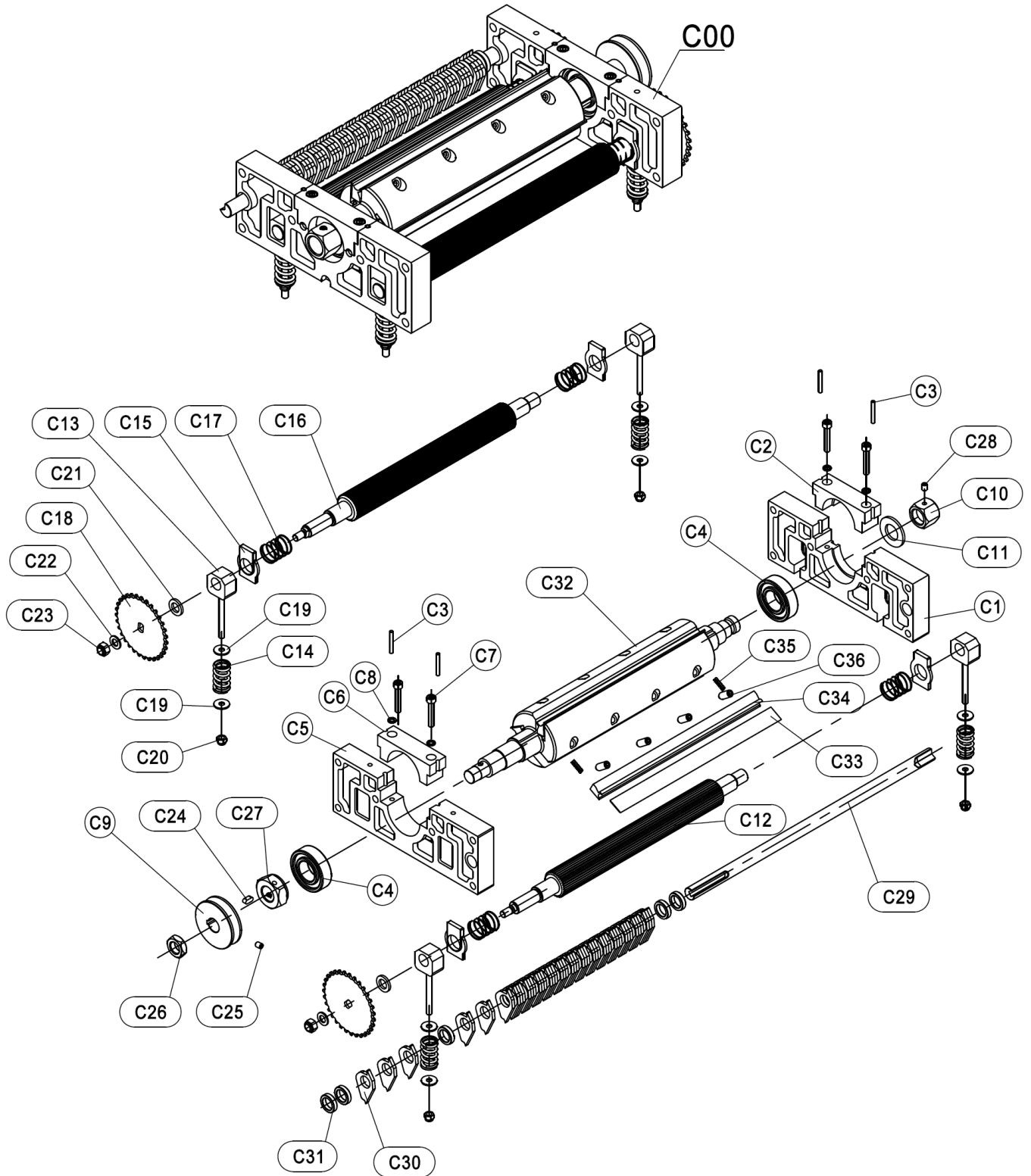
Exploded View for JPT-F260-M / JPT-F260-T Planer & Thicknesser



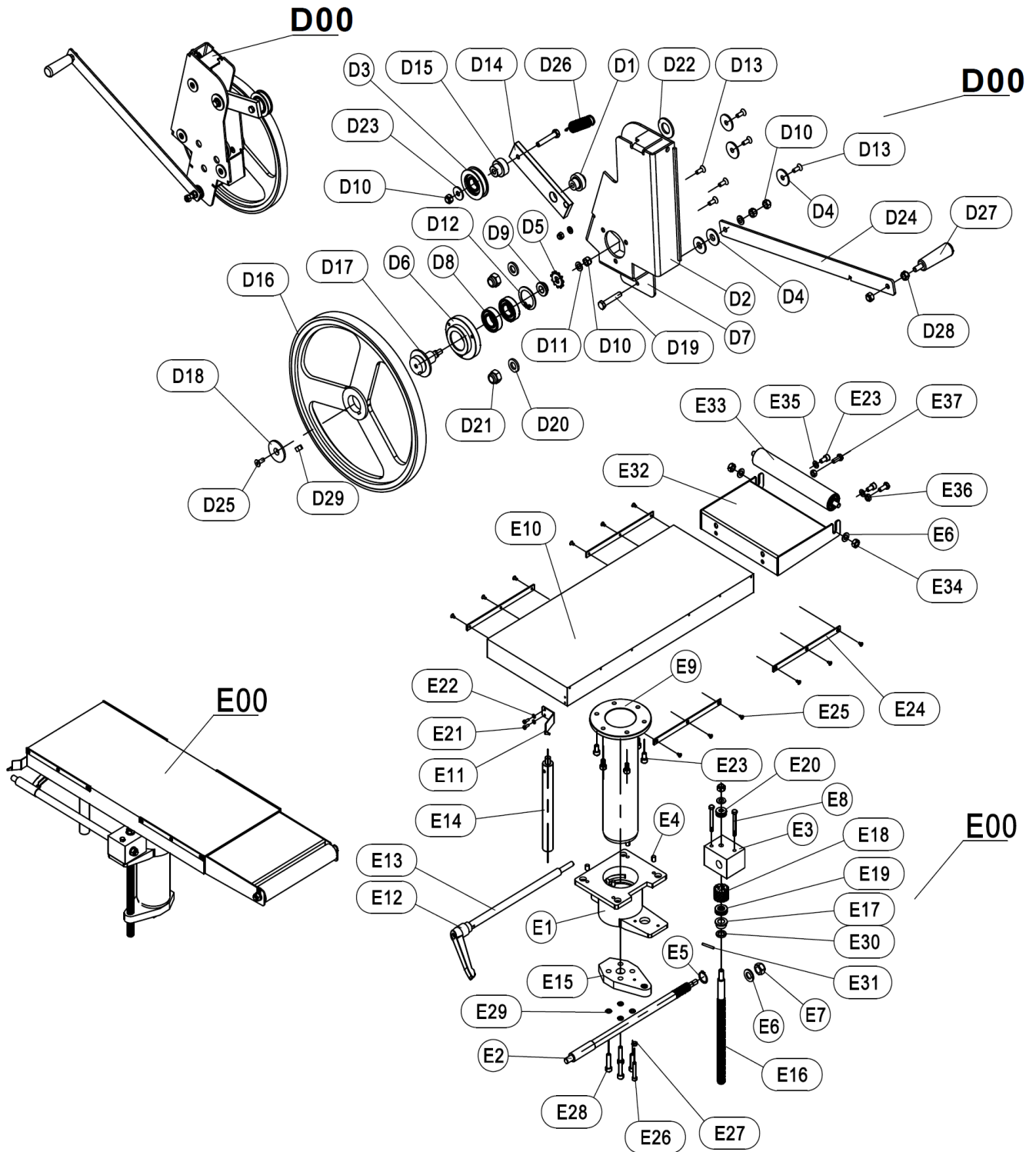
Exploded View for JPT-F260-M / JPT-F260-T Planer & Thicknesser--A & B



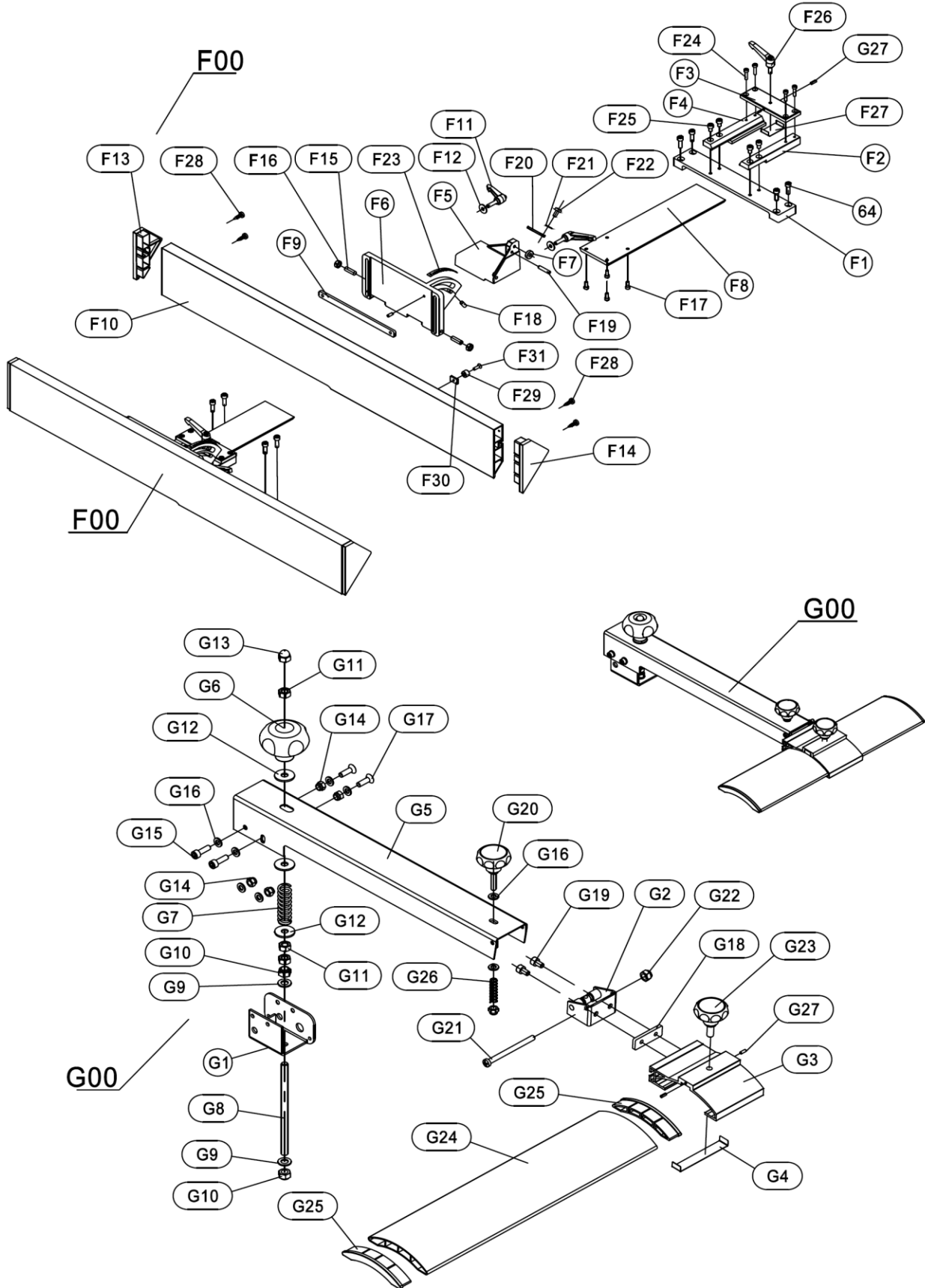
Exploded View for JPT-F260-M / JPT-F260-T Planer & Thicknesser -- C



Exploded View for JPT-F260-M/ JPT-F260-T Planer & Thicknesser – D & E



Exploded View for JPT-F260-M/ JPT-F260-T Planer & Thicknesser –F & G



JPT-F260-M / JPT-F260-T Planer & Thicknesser – Parts List

Index No	Part No	Description	Size	Qty
001	JPTF260-001	Cabinet		1
002	JPTF260-002	Table Support		2
004	JPTF260-004EM	Motor Assembly	1Ph, 230V, P2=1.7kW	1
	JPTF260-004ET	Motor Assembly	~3Ph, 400V, P2=2.5kW	1
	JPTF260-004ML	Motor Label (not shown)		1
	JPTF260-004MF	Motor Fan (not shown)		1
	JPTF260-004MC	Motor Fan Cover (not shown)		1
	JPTF260-004RC	Running Capacitor (not shown)	40 μ F, 450V AC	1
	JPTF260-004JB	Junction Box (not shown)		1
	JPTF260-004JC	Junction Box Cover (not shown)		1
006	JPTF260-006	Chain & Belt Cover		1
008	JPTF260-008	Bolt for Table Location		4
009	JPTF260-009	Front Cover		1
010	JPTF260-010	Self-Tapping Screw	ST3.5x12	2
011	JPTF260-011	Limit Switch QKS7		1
012	JPTF260-012	Safety Switch Rocker		1
013	JPTF260-013	Knob M8		1
014	JPTF260-014	Spring for Infeed Table		1
015	JPTF260-015	Spring for Outfeed Table		1
016	JPTF260-016	Handle		1
017	JPTF260-017	Socket Head Cap Screw	M10x25	4
018	JPTF260-018	Flat Washer	10	5
019	JPTF260-019	Socket Head Cap Screw	M8x15	8
020	JPTF260-020	Table Stopper		1
021	JPTF260-021	Spring Plate		1
022	JPTF260-022	Press Plate		2
023	JPTF260-023	Knob M10		4
024	JPTF260-024	Pointer		1
025	JPTF260-025	E-Stop	HY57B	2
026	JPTF260-026	Infeed Scale		1
027	JPTF260-027	Bearing	GE20ES-2RS	1
028	JPTF260-028	Digital Thickness Readout		1
029	JPTF260-029	Digital Display Plate		1
030	JPTF260-030	Plate for bearing		1
031	JPTF260-031	Dust Collector Assembly		1
032	JPTF260-032	Limit Plate		1
033	JPTF260-033	Hex Bolt	M8x45	1
034	JPTF260-034	Flat Washer	8	16
035	JPTF260-035	Lock Hex Nut	M8	5
038	JPTF260-038	Hex Bolt	M8x55	1
039	JPTF260-039	Socket Head Flat Screw	M6x25	2
040	JPTF260-040	Motor Plate		1
041	JPTF260-041	Hex Nut	M8	10
042	JPTF260-042	Socket Set Screw	M8x15	2
043	JPTF260-043	Motor Pulley		1
044	JPTF260-044	Socket Head Cap Screw	M8x35	1
045	JPTF260-045	Cap Hex Nut	M8	4
046	JPTF260-046	Spring		1
047	JPTF260-047	Pan Head Machine Screw	M4x30	2
048	JPTF260-048	Hex Nut	M4	2
049	JPTF260-049	Flat Washer	4mm	4
050	JPTF260-050	Locking Sleeve		1
051	JPTF260-051	Oil Bearing		1
052	JPTF260-052	Bearing Sleeve		1
053	JPTF260-053	Thickness Scale		1
054	JPTF260-054	Socket Head Flat Screw	M4x8	6
055	JPTF260-055	Sleeve		1
056	JPTF260-056	Hex Bolt	M10x100	1
057	JPTF260-057	Sleeve		1
058	JPTF260-058	Socket Head Flat Screw	M6x16	1

JPT-F260-M / JPT-F260-T Planer & Thicknesser – Parts List

Index No	Part No	Description	Size	Qty
059	JPTF260-059	Switch Box		1
060	JPTF260-060	Switch Cover		1
061	JPTF260-061	Chain Tension Wheel		1
062	JPTF260-062	Shaft for Tension Wheel		1
063	JPTF260-063	Hex Bolt	M8x70	1
064	JPTF260-064	Socket Head Cap Screw	M8x25	6
065	JPTF260-065M	Switch M (not shown)	DZ07C/230V	1
	JPTF260-065T	Switch T (not shown)	DZ07 /400V	1
066	JPTF260-066	Hex Bolt	M8x40	12
067	JPTF260-067	Hex Nut	M12	12
068	JPTF260-068	Belt Cover		1
069	JPTF260-069	Cover		1
070	JPTF260-070	Hex Bolt	M6x12	7
071	JPTF260-071	Cap Nut	M6	4
072	JPTF260-072	Flat Washer	6	9
073	JPTF260-073	Pan Head Machine Screw	M6x8	18
074	JPTF260-074	Flat Washer	6	26
075	JPTF260-075	Cutterblock Cover for infeed		1
076	JPTF260-076	Cutterblock Cover for outfeed		1
077	JPTF260-077	Socket Head Cap Screw	M6x6	9
078	JPTF260-078	Pan Head Machine Screw	M5x8	8
079	JPTF260-079	Flat Washer	5	3
080	JPTF260-080	Pan Head Machine Screw	M4x50	8
081	JPTF260-081	Pull Rod		1
082	JPTF260-082	Cover		1
083	JPTF260-083	Pan Head Machine Screw	M4x4	2
084	JPTF260-084	Hex Nut	M10	6
085	JPTF260-085	Carriage Bolt	M10x60	2
086	JPTF260-086	Press Plate		1
087	JPTF260-087	Pan Head Machine Screw	M5x16	1
088	JPTF260-088	Hex Nut	M5	3
089	JPTF260-089	Base		1
090	JPTF260-090	Socket Head Cap Screw	M6x12	9
091	JPTF260-091	Plate for Thicknesser		2
092	JPTF260-092	Socket Head Cap Screw	M8x16	4
093	JPTF260-093	Self-Tapping Screw	ST4.2x20	4
094	JPTF260-094	Self-Tapping Screw	ST4.2x12	2
095	JPTF260-095	Socket Head Cap Screw	M8x20	1
096	JPTF260-096	Socket Head Flat Screw	M6x16	4
097	JPTF260-097	Retaining Ring	8	2
098	JPTF260-098	Larger Flat Washer	6	1
099	JPTF260-099	Hex Bolt	M6x16	1
100	JPTF260-100	Strain Relief Bushing	M20	1
101	JPTF260-101M	Power Cord	230V	1
	JPTF260-101T	Power Cord & Plug	400V	1
102	JPTF260-102	Hex Bolt	M8x110	1
103	JPTF260-103	Spring		1
104	JPTF260-104	Press Plate		1
105	JPTF260-105	Pan Head Machine Screw	M5x16	2
106	JPTF260-106	Pin		1
107	JPTF260-107	Hex Nut	M6	1
108	JPTF260-108	V-Belt	XPZ1250	1
109	JPTF260-109	Drive Chain	05B-1-172	1
110	JPTF260-110	Hand wheel		1
111	JPTF260-111	Knob		1
112	JPTF260-112	Screw		1
113	JPTF260-113	Cover		1
114	JPTF260-114	O-Ring		1
115	JPTF260-115	Socket Set Screw	M6x10	2

JPT-F260-M / JPT-F260-T Planer & Thicknesser – Parts List

Index No	Part No	Description	Size	Qty
116	JPTF260-116	Dust Port		1
117	JPTF260-117	Socket Head Cap Screw	M8x12	2
118	JPTF260-118	Plastic Washer		1
119	JPTF260-119	JET-113 LOGO	JET-113	1
120	JPTF260-120	Push Block		1
121	JPTF260-121	Knife Gauge Assembly		1
	JPTF260M-ID M	ID Label, JPT-F260-M (not shown)		1
	JPTF260T-ID T	ID Label, JPT-F260-T (not shown)		1
	JPTF260M-M	Motor Label, JPT-F260-M (not shown)		1
	JPTF260T-T	Motor Label, JPT-F260-T (not shown)		1
		Warning Label, JPT-F260 (not shown)		1
	TS-152704	Hex Wrench (not shown)	3mm	1
	TS-152705	Hex Wrench (not shown)	4mm	1
	TS-152706	Hex wrench (not shown)	5mm	1
		Warning Label, JPT-F260A (not shown)		1
A00	JPTF260-A00	Outfeed Table Assembly (#A01 thru A10)		1
A01	JPTF260-A01	Outfeed Table Bracket		1
A02	JPTF260-A02	Outfeed Table Bracket Shaft		1
A03	JPTF260-A03	Eccentric Shaft		2
A04	JPTF260-A04	Outfeed Table		1
A05	JPTF260-A05	Outfeed Table Bracket with a Lock		1
A06	JPTF260-A06	Eccentric Lock Handle		1
A07	JPTF260-A07	Retaining Ring	12	1
A08	JPTF260-A08	Hex Lock Nut	M16	4
A09	JPTF260-A09	Socket Head Cap Screw	M8x25	2
A10	JPTF260-A10	Flat Washer	16	4
A11	JPTF260-A11	Socket Head Cap Screw	M4x8	4
A12	JPTF260-A12	Plate		2
B00	JPTF260-B00	Infeed Table Assembly (#B01 thru B20)		1
B01	JPTF260-B01	Infeed Table Bracket Shaft		1
B02	JPTF260-B02	Infeed Table Bracket		1
B03	JPTF260-B03	Eccentric Shaft		2
B04	JPTF260-B04	Outfeed Table Bracket with a Lock		1
B05	JPTF260-B05	Eccentric Shaft Clamp		2
B06	JPTF260-B06	Socket Head Cap Screw	M8x25	4
B07	JPTF260-B07	Eccentric Shaft Bracket		2
B08	JPTF260-B08	Adjusting Handle		1
B09	JPTF260-B09	Special Bolt		1
B10	JPTF260-B10	Hex Nut	M8	2
B11	JPTF260-B11	Special Bolt		1
B12	JPTF260-B12	Infeed Table		1
B13	JPTF260-B13	Eccentric Lock Handle		1
B14	JPTF260-B14	Hex Nut	M10	1
B15	JPTF260-B15	Hex Lock Nut	M16	4
B16	JPTF260-B16	Retaining Ring	12	1
B17	JPTF260-B17	Flat Washer	16	4
B18	JPTF260-B18	Hex Bolt	M5x25	2
B19	JPTF260-B19	Hex Nut	M5	2
B20	JPTF260-B20	Hex Lock Nut	M8	1
C00	JPTF260-C00	Cutter Block Assembly (#C01 thru C31)		1
C01	JPTF260-C01	Cutterblock Bracket-Front		1
C02	JPTF260-C02	Press Block-Front		1
C03	JPTF260-C03	Pin	4x10	4
C04	JPTF260-C04	Ball Bearing	6205-2RZ	2
C05	JPTF260-C05	Cutterblock Bracket-Rear		1
C06	JPTF260-C06	Press Block-Rear		1
C07	JPTF260-C07	Socket Head Cap Screw	M6x35	4

JPT-F260-M / JPT-F260-T Planer & Thicknesser – Parts List

Index No	Part No	Description	Size	Qty
C08	JPTF260-C08	Lock Washer	6	4
C09	JPTF260-C09	Spindle Pulley		1
C10	JPTF260-C10	Spindle Special Hex Nut		1
C11	JPTF260-C11	Flat Washer	20	1
C12	JPTF260-C12	Infeed Roller		1
C13	JPTF260-C13	Glide Piece		4
C14	JPTF260-C14	Spring for Rollers		4
C15	JPTF260-C15	Square spacer		4
C16	JPTF260-C16	Outfeed Roller		1
C17	JPTF260-C17	Pressure Spring		4
C18	JPTF260-C18	Drive Chain Sprocket		2
C19	JPTF260-C19	Larger Flat Washer	6	8
C20	JPTF260-C20	Hex Lock Nut	M6	4
C21	JPTF260-C21	Spacer Sprocket		2
C22	JPTF260-C22	Flat Washer	8	2
C23	JPTF260-C23	Hex Lock Nut	M8	2
C24	JPTF260-C24	Key	5x5x12	1
C25	JPTF260-C25	Socket Set Screw	M6x10	1
C26	JPTF260-C26	Hex Nut	M16x1	1
C27	JPTF260-C27	Lock Nut		1
C28	JPTF260-C28	Socket Set Screw	M6x8	2
C29	JPTF260-C29	Shaft, Dust Hood		1
C30	JPTF260-C26	Anti-Kickback Finger		45
C31	JPTF260-C31	Adjusting Washer		18
C32	JPTF260-C32	Cutter Block		1
C33	JPTF260-C33	Blade	260x25x3mm	3
C34	JPTF260-C34	Knife Locking Bar		3
C35	JPTF260-C35	Spring		6
C36	JPTF260-C36	Socket Set Screw	M8x20	12
D00	JPTF260-D00	Drive Assembly (#D01 thru D31)		1
D01	JPTF260-D01	Collar		1
D02	JPTF260-D02	Guide Friction Bracket		1
D03	JPTF260-D03	Tension pulley		1
D04	JPTF260-D04	Plastic washer		5
D05	JPTF260-D05	Sprocket		1
D06	JPTF260-D06	Sleeve		1
D07	JPTF260-D07	Plate (Include #D02)		1
D08	JPTF260-D08	Ball Bearing	6004-2RZ	3
D09	JPTF260-D09	Washer for Sprocket		1
D10	JPTF260-D10	Hex Lock Nut	M8	5
D11	JPTF260-D11	Flat Washer	8	2
D12	JPTF260-D12	Retaining Ring	42	1
D13	JPTF260-D13	Flat Head Machine Screw	M6x16	6
D14	JPTF260-D14	Tension Plate		1
D15	JPTF260-D15	Sleeve		1
D16	JPTF260-D16	Friction Pulley		1
D17	JPTF260-D17	Friction Shaft		1
D18	JPTF260-D18	Flat Washer		1
D19	JPTF260-D19	Hex Bolt	M8x45	2
D20	JPTF260-D20	Flat Washer	6	3
D21	JPTF260-D21	Hex Lock Nut	M6	3
D22	JPTF260-D22	Larger Flat Washer	20	1
D23	JPTF260-D23	Larger Flat Washer	8	1
D24	JPTF260-D24	Lever, Friction Pulley		1
D25	JPTF260-D25	Socket Flat Cap Screw	M6x16	1
D26	JPTF260-D26	Spring		1
D27	JPTF260-D27	Lever Handle		1
D28	JPTF260-D28	Hex Nut	M8	1
D29	JPTF260-D29	Key	8x7x20	1

JPT-F260-M / JPT-F260-T Planer & Thicknesser – Parts List

Index No	Part No	Description	Size	Qty
E00	JPTF260-E00	Thickness Table Assembly (#E01 thru E31)		1
E01	JPTF260-E01	Column Support		1
E02	JPTF260-E02	Crank Bar		1
E03	JPTF260-E03	Raise Gear Seat		1
E04	JPTF260-E04	Socket Set Screw	M8x12	4
E05	JPTF260-E05	Retaining Ring	18	1
E06	JPTF260-E06	Flat Washer	10	4
E07	JPTF260-E07	Hex Lock Nut	M10	2
E08	JPTF260-E08	Hex Bolt	M6x60	2
E09	JPTF260-E09	Column		1
E10	JPTF260-E10	Thickness Table		1
E11	JPTF260-E11	Height Indicator		1
E12	JPTF260-E12	Lock Handle (Include #E13)		1
E13	JPTF260-E13	Locking Bar		1
E14	JPTF260-E14	Thickness Table Guide Bar		1
E15	JPTF260-E15	Thread Rob Bracket		1
E16	JPTF260-E16	Thread Rob		1
E17	JPTF260-E17	Sleeve		1
E18	JPTF260-E18	Raise and Fall Gear		1
E19	JPTF260-E19	Thrust Bearing 51102		1
E20	JPTF260-E20	Thrust Needle Roller Bearing AXK1024		1
E21	JPTF260-E21	Pan Head Machine Screw	M4x12	2
E22	JPTF260-E22	Flat Washer	4	2
E23	JPTF260-E23	Socket Flat Cap Screw	M8x16	8
E24	JPTF260-E24	Edge Plate		4
E25	JPTF260-E25	Flat Head Machine Screw	M4x8	12
E26	JPTF260-E26	Socket Head Cap Screw	M6x40	1
E27	JPTF260-E27	Hex Nut	M6	1
E28	JPTF260-E28	Socket Head Cap Screw	M8x35	4
E29	JPTF260-E29	Lock Washer	8	4
E30	JPTF260-E30	Sleeve		1
E31	JPTF260-E31	Pin	4x30	1
E32	JPTF260-E32	Support Roller		1
E33	JPTF260-E33	Roller		1
E34	JPTF260-E34	Hex Nut	M10	2
E35	JPTF260-E35	Flat Washer	8	2
E36	JPTF260-E36	Hex Nut	M8	2
E37	JPTF260-E37	Hex Bolt	M8x20	2
F00	JPTF260-F00	Working Fence Assembly (#D01 thru D31)		1
F01	JPTF260-F01	Fence Base		1
F02	JPTF260-F02	Fixing Plate A		1
F03	JPTF260-F03	Clamping Plate		1
F04	JPTF260-F04	Fixing Plate B		1
F05	JPTF260-F05	Fence Block		1
F06	JPTF260-F06	Fence Bracket		1
F07	JPTF260-F07	Flat Washer		1
F08	JPTF260-F08	Sliding Plate		1
F09	JPTF260-F09	Connection Plate M8		1
F10	JPTF260-F10	Fence		1
F11	JPTF260-F11	Adjusting Handle M8x28		2
F12	JPTF260-F12	Larger Flat Washer	8	2
F13	JPTF260-F13	Right Hand Cover for Fence		2
F14	JPTF260-F14	Left Hand Cover for Fence		2
F15	JPTF260-F15	Socket Set Screw	M10x35	2
F16	JPTF260-F16	Hex Nut	M10	2
F17	JPTF260-F17	Socket Head Cap Screw	M6x16	4
F18	JPTF260-F18	Socket Set Screw	M6x15	2

JPT-F260-M / JPT-F260-T Planer & Thicknesser – Parts List

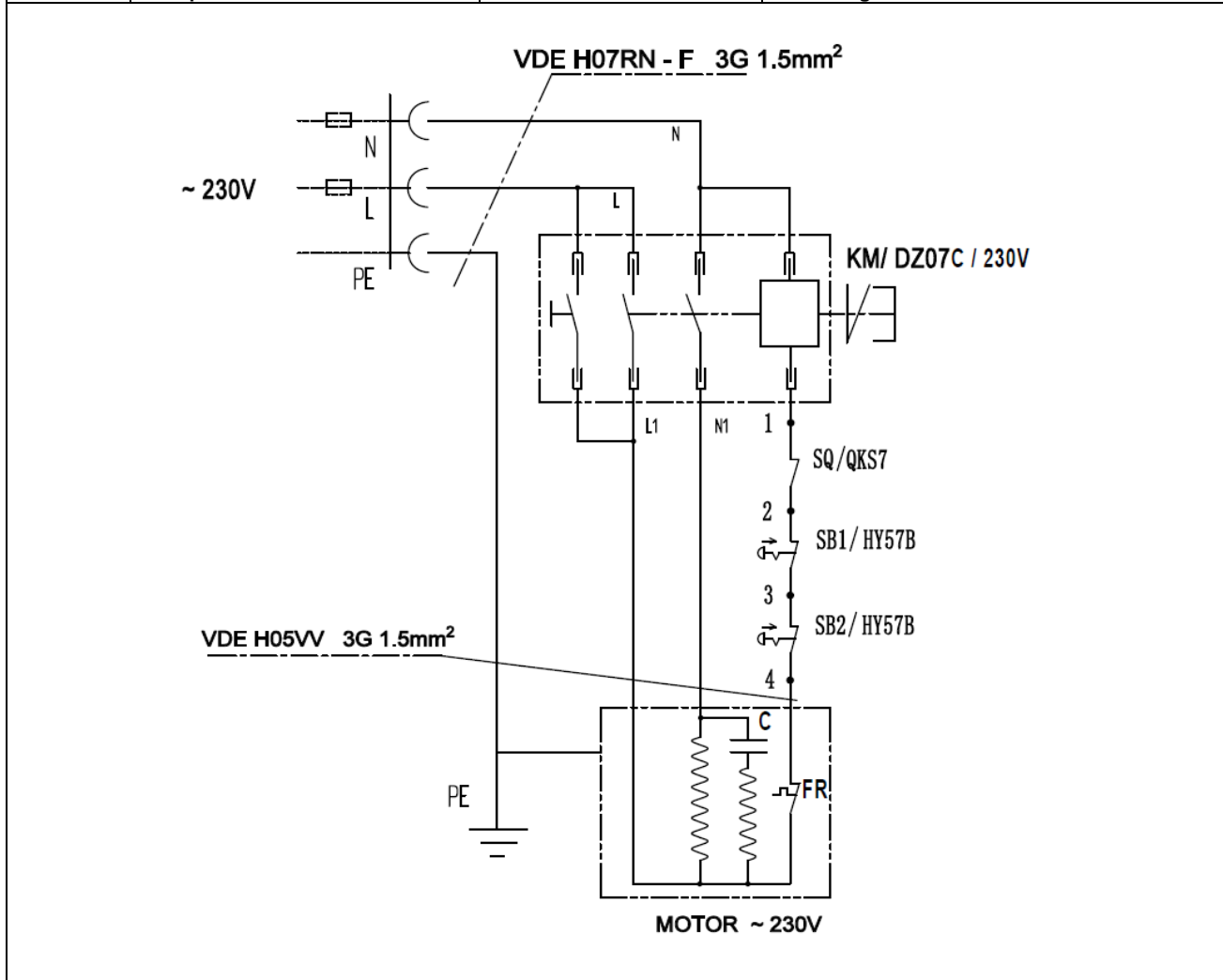
Index No	Part No	Description	Size	Qty
F19	JPTF260-F19	Socket Set Screw	Ø6x30	1
F20	JPTF260-F20	Pointer		1
F21	JPTF260-F21	Flat Washer	4	1
F22	JPTF260-F22	Pan Head Machine Screw	M4x8	1
F23	JPTF260-F23	Fence Scale		1
F24	JPTF260-F24	Socket Head Cap Screw	M6x25	4
F25	JPTF260-F25	Socket Head Cap Screw	M8x12	4
F26	JPTF260-F26	Adjusting Handle M8x20		1
F27	JPTF260-F27	Insert Board for Fence		1
F28	JPTF260-F28	Self-Tapping Screw	ST3.5x12	4
F29	JPTF260-F29	Stop Spacer		1
F30	JPTF260-F30	Locking Plate M8		1
F31	JPTF260-F31	Flat Head Machine Screw	M6x20	1
G00	JPTF260-G00	Cutterblock Guard Assembly (#D01 thru D31)		1
G01	JPTF260-G01	Swivel Base, Guard		1
G02	JPTF260-G02	Knot		1
G03	JPTF260-G03	Guard Plate Cover		1
G04	JPTF260-G04	Insert Board for Guard		1
G05	JPTF260-G05	Bracket for Guard		1
G06	JPTF260-G06	Lock Knob		1
G07	JPTF260-G07	Spring for Guard		1
G08	JPTF260-G08	Rod		1
G09	JPTF260-G09	Flat Washer	8	2
G10	JPTF260-G10	Lock Hex Nut	M8	2
G11	JPTF260-G11	Hex Nut	M8	3
G12	JPTF260-G12	Larger Flat Washer	8	3
G13	JPTF260-G13	Cap Hex Nut	M8	1
G14	JPTF260-G14	Lock Hex Nut	M6	5
G15	JPTF260-G15	Socket Head Cap Screw	M6x20	2
G16	JPTF260-G16	Flat Washer	6	10
G17	JPTF260-G17	Flat Head Machine Screw	M6x20	2
G18	JPTF260-G18	Lock Plate		1
G19	JPTF260-G19	Socket Head Cap Screw	M6x10	2
G20	JPTF260-G20	Knob M6		1
G21	JPTF260-G21	Pan Head Machine Screw	M5x65	1
G22	JPTF260-G22	Lock Hex Nut	M5	1
G23	JPTF260-G23	Knob M8		1
G24	JPTF260-G24	Cutterblock Guard		1
G25	JPTF260-G25	Fixed Press Paw		2
G26	JPTF260-G26	Spring for Cutterblock Guard		1
G27	JPTF260-G27	Pin	3x8	4

Wiring Diagram for JPT-F260-M Planer & Thicknesser

JPT-F260-M.....~ 230V, 50Hz

	colour of strands	Litzenfarben	couleur des cordons
BK	black	schwarz	noir
WH	white	weiß	blanc
BU	blue	blau	bleu
RD	red	rot	rouge
BN	brown	braun	brun
GY	grey	grau	gris
GNYE	green-yellow	grün-gelb	vert-jaune

	meaning of symbol	Bedeutung der Zeichen	interprétation
M	motor	Motor	moteur
S	switch	Schalter	interrupteur
C1	Condenser of running	Kondensator	condensateur
C2	Condenser of Starting	Kondensator	condensateur
n	centrifugal switch	Fliehkraftschalter	déclencheur centrifuge
OL	overload cut-off	Überlastschuttschalter	déclencheur surcharge
LS	limit switch	Positionensdschalter	micro
SB	E-stop	Not-Aus Taster	arret d'urgence

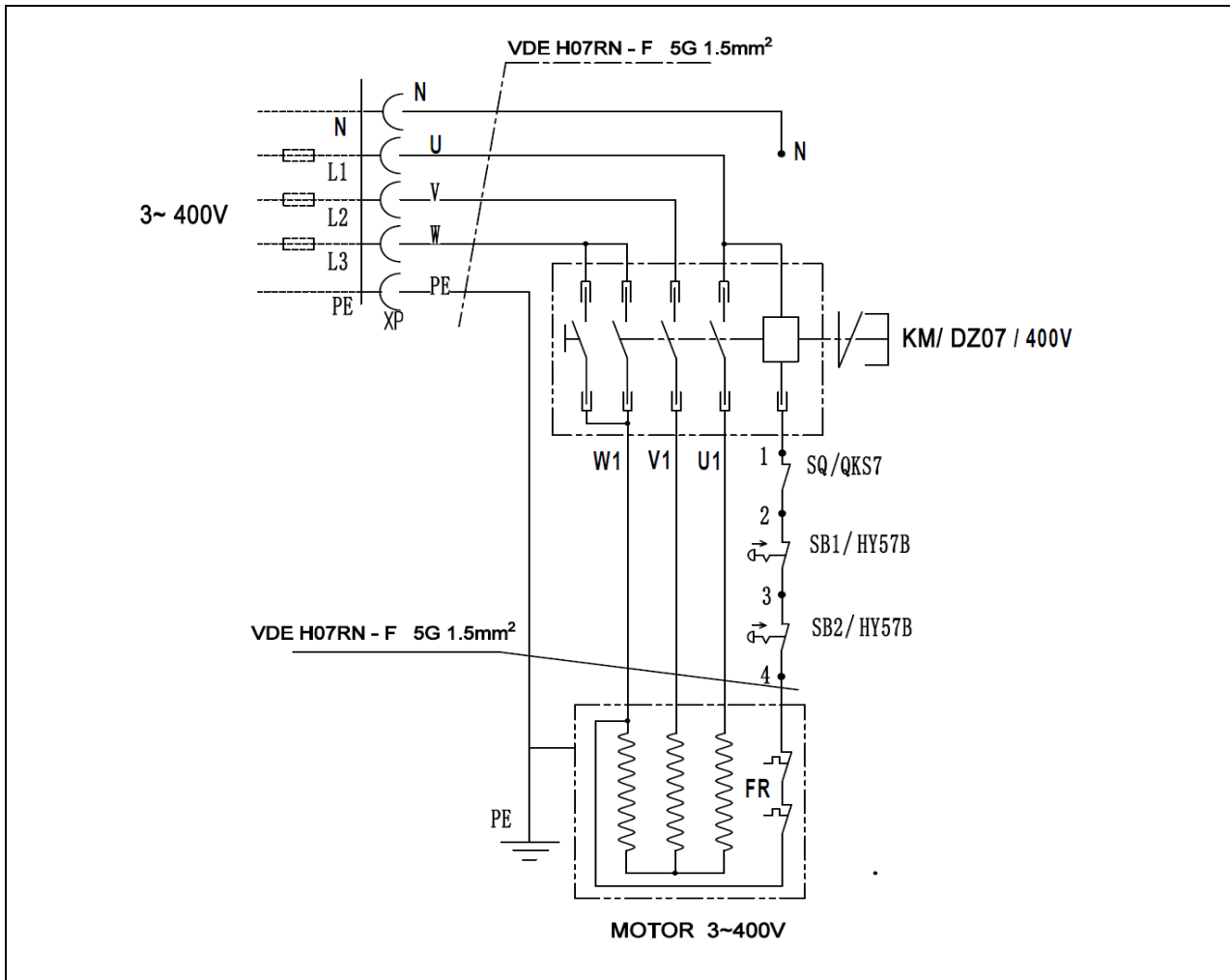


Wiring Diagram for JPT-F260-T Planer & Thicknesser

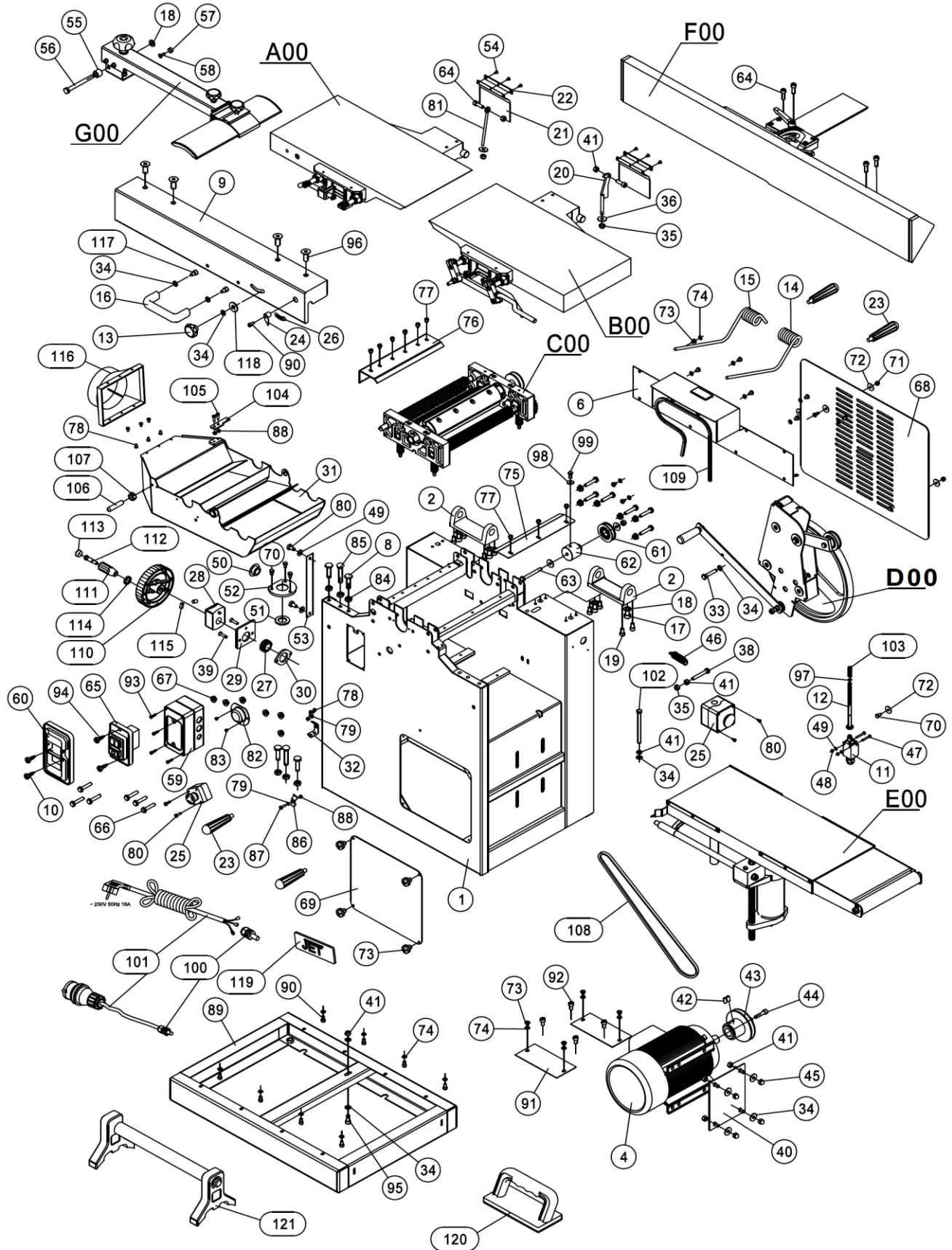
JPT-F260-T.....3~ 400V, 50Hz

	colour of strands	Litzenfarben	couleur des cordons
BK	black	schwarz	noir
WH	white	weiß	blanc
BU	blue	blau	bleu
RD	red	rot	rouge
BN	brown	braun	brun
GY	grey	grau	gris
GNYE	green-yellow	grün-gelb	vert-jaune

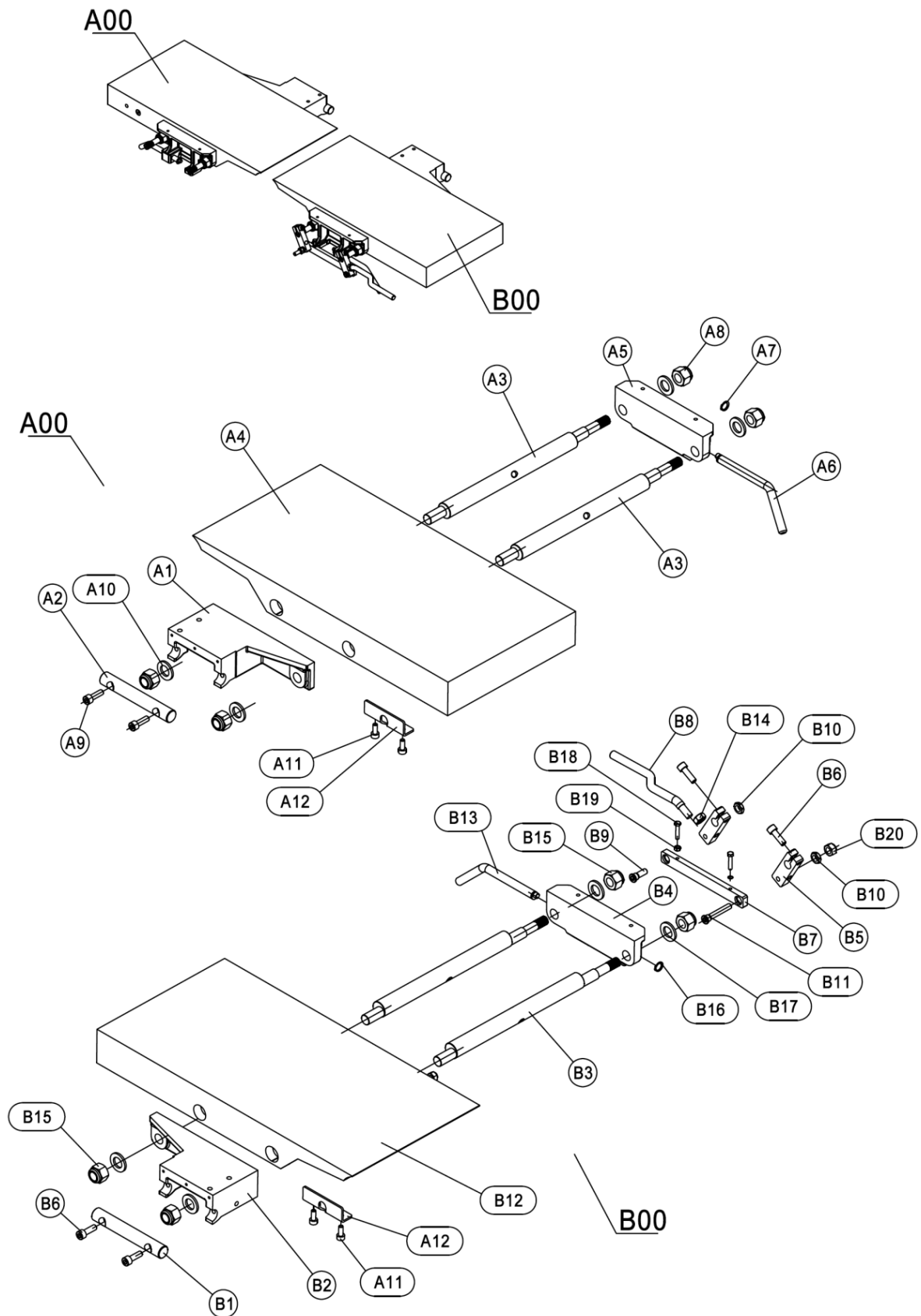
	meaning of symbol	Bedeutung der Zeichen	interprétation
M	motor	Motor	moteur
S	switch	Schalter	interrupteur
C1	Condenser of running	Kondensator	condensateur
C2	Condenser of Starting	Kondensator	condensateur
n	centrifugal switch	Fliehkraftschalter	déclencheur centrifuge
OL	overload cut-off	Überlastschuttschalter	déclencheur surcharge
LS	limit switch	Positionsendschalter	micro
SB	E-stop	Not-Aus Taster	arret d'urgence



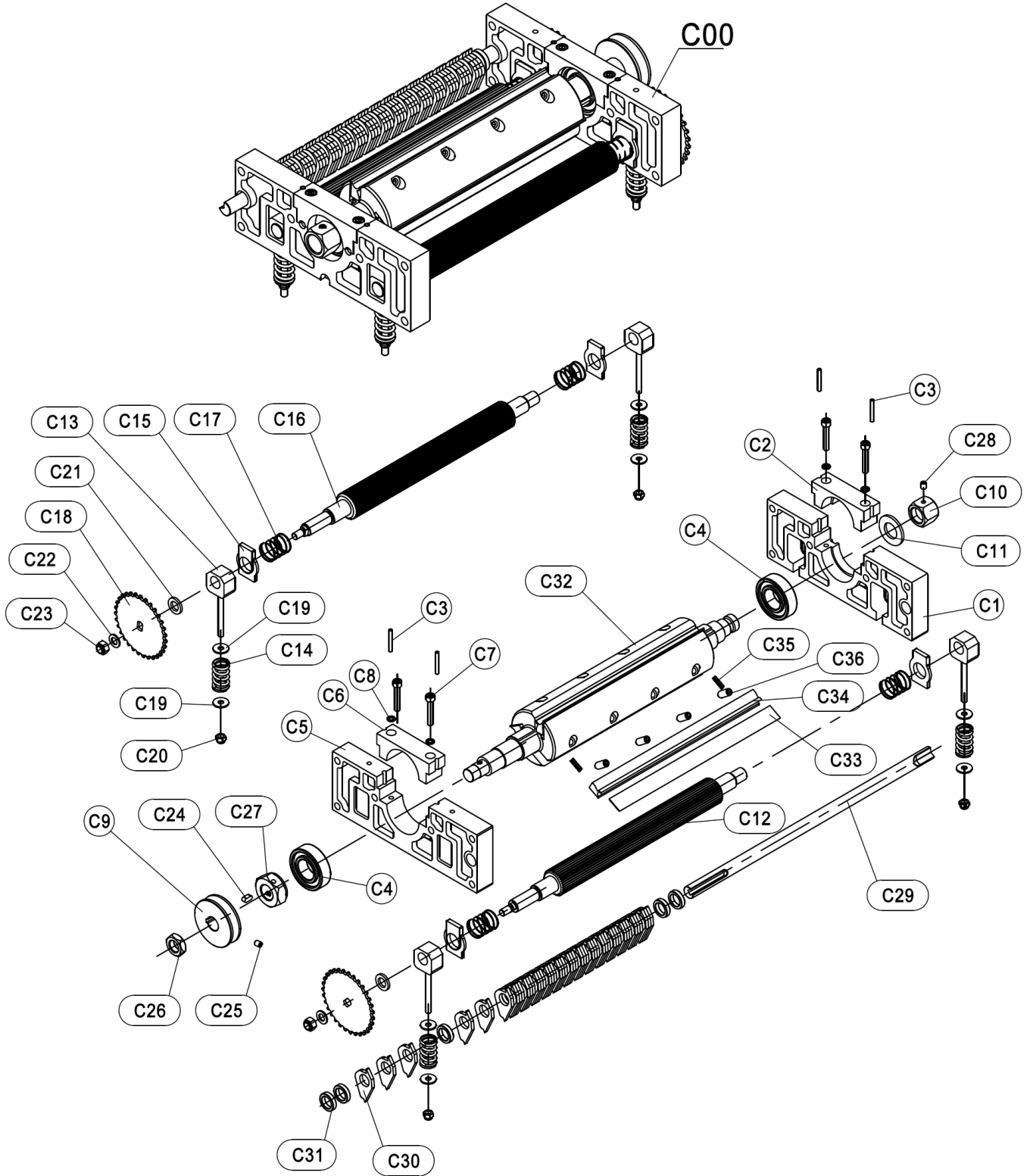
Exploded View for JPT-F260-M / JPT-F260-T Planer & Thicknesser



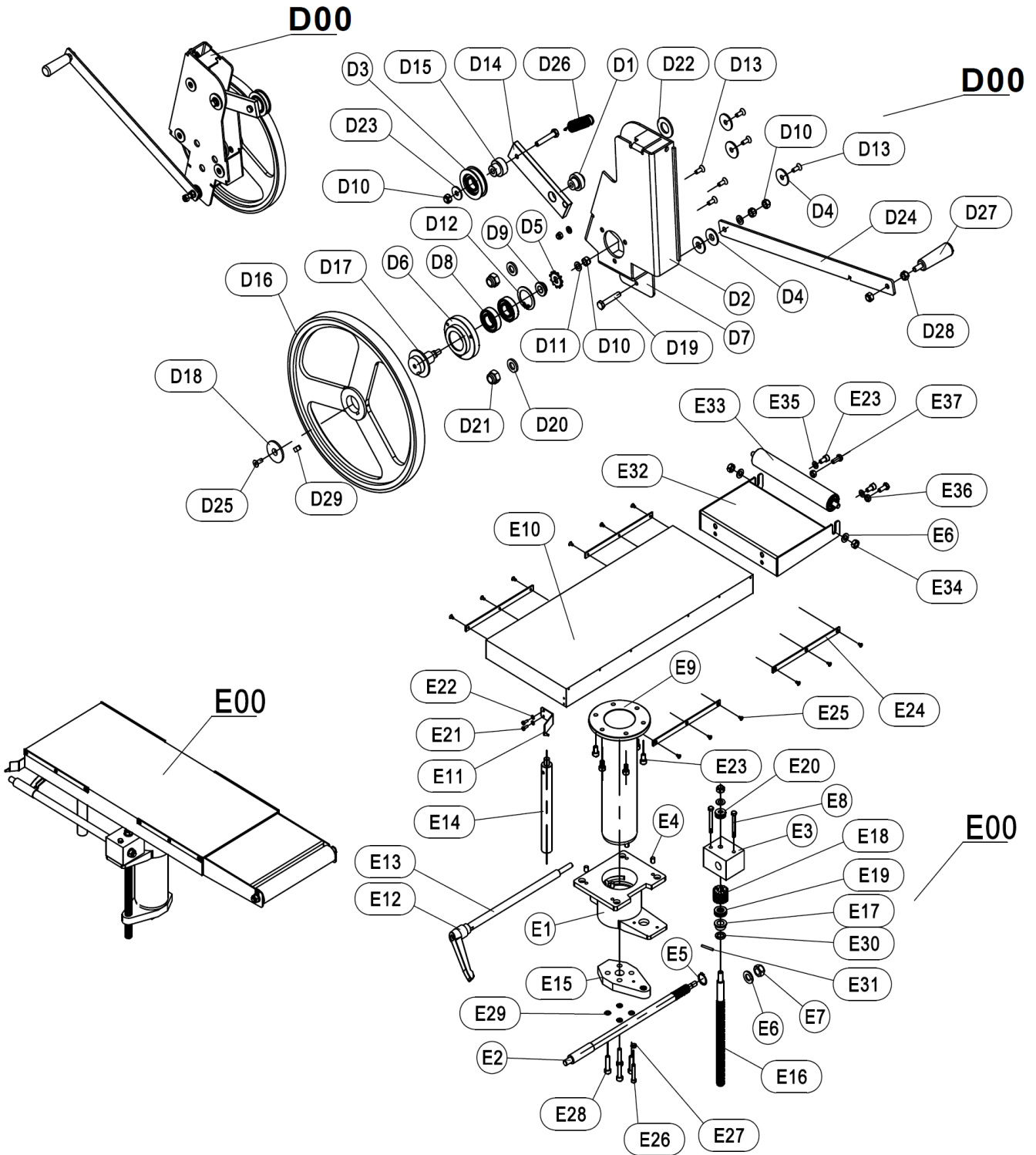
Exploded View for JPT-F260-M / JPT-F260-T Planer & Thicknesser--A & B



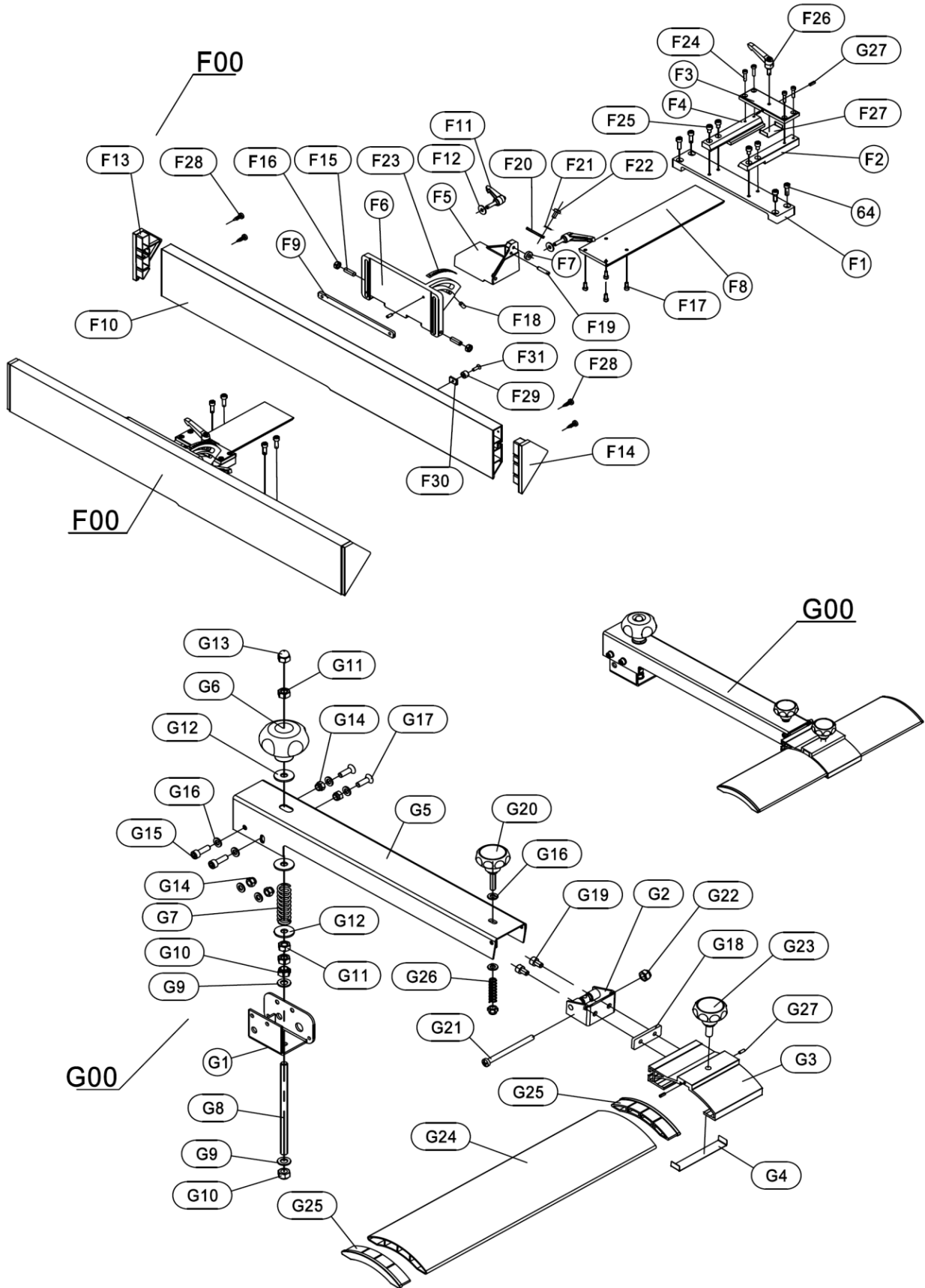
Exploded View for JPT-F260-M / JPT-F260-T Planer & Thicknesser -- C



Exploded View for JPT-F260-M/ JPT-F260-T Planer & Thicknesser – D & E



Exploded View for JPT-F260-M/ JPT-F260-T Planer & Thicknesser -F & G



Dégauchoiseuse/Raboteuse JPT-F260-M / JPT-F260-T – Nomenclature				
Repère	Référence	Description	Dim.	Qté.
001	JPTF260-001	Bâti/Socle		1
002	JPTF260-002	Support de table		2
004	JPTF260-004EM	Ensemble moteur	1Ph, 230V, P2=1.75kW	1
	JPTF260-004ML	Etiquette moteur (non représenté)		1
	JPTF260-004MF	Ventilateur moteur (non représenté)		1
	JPTF260-004MC	Couvercle de ventilateur moteur (non représenté)		1
	JPTF260-004RC	Condensateur de marche (non représenté)	40µF, 450V AC	1
	JPTF260-004JB	Boîtier de raccordement (non représenté)		1
	JPTF260-004JC	Couvercle du boîtier de raccordement (non représenté)		1
	JPTF260-004ET	Ensemble moteur	~3Ph 400VP2=1.75kW	1
006	JPTF260-006	Couvercle de chaîne et courroie		1
008	JPTF260-008	Boulon pour position table		4
009	JPTF260-009	Couvercle avant		1
010	JPTF260-010	Vis Auto-taraudeuse	ST3.5x12	2
011	JPTF260-011	Interrupteur de fin de course QKS7		1
012	JPTF260-012	Interrupteur de sécurité à bascule		1
013	JPTF260-013	Bouton M8		1
014	JPTF260-014	Ressort pour table d'entrée		1
015	JPTF260-015	Ressort pour table de sortie		1
016	JPTF260-016	Poignée		1
017	JPTF260-017	Vis à six pans creux	M10x25	4
018	JPTF260-018	Rondelle plate	10	5
019	JPTF260-019	Vis à six pans creux	M8x15	8
020	JPTF260-020	Butée de table		1
021	JPTF260-021	Protecteur ressort		1
022	JPTF260-022	Plaque de serrage		2
023	JPTF260-023	Bouton M10		4
024	JPTF260-024	Curseur		1
025	JPTF260-025	Arrêt d'urgence	HY57B	2
026	JPTF260-026	Règle graduée dégauchissage		1
027	JPTF260-027	Roulement	GE20ES-2RS	1
028	JPTF260-028	Affichage numérique - Lecteur		1
029	JPTF260-029	Plaque d'affichage numérique		1
030	JPTF260-030	Joint de roulement		1
031	JPTF260-031	Ensemble extracteur de poussières		1
032	JPTF260-032	Plaque loquet verrouillage		1
033	JPTF260-033	Boulon hexagonal	M8x45	1
034	JPTF260-034	Rondelle plate	8	16
035	JPTF260-035	Ecrou de blocage hexagonal	M8	5
038	JPTF260-038	Boulon hexagonal	M8x55	1
039	JPTF260-039	Vis à tête plate à six pans creux	M6x25	2
040	JPTF260-040	Plaque moteur		1
041	JPTF260-041	Ecrou hexagonal	M8	10
042	JPTF260-042	Vis de blocage à tête creuse	M8x15	2
043	JPTF260-043	Poulie moteur		1
044	JPTF260-044	Vis à six pans creux	M8x35	1
045	JPTF260-045	Ecrou borgne hexagonal	M8	4
046	JPTF260-046	Spring		1
047	JPTF260-047	Vis ber	M4x30	2
048	JPTF260-048	Ecrou hexagonal	M4	2
049	JPTF260-049	Rondelle plate	4mm	4
050	JPTF260-050	Bague de blocage		1
051	JPTF260-051	Roulement		1
052	JPTF260-052	Cage à roulement		1
053	JPTF260-053	Echelle d'épaisseur		1
054	JPTF260-054	Vis à tête plate à six pans creux	M4x8	6
055	JPTF260-055	Bague		1
056	JPTF260-056	Boulon hexagonal	M10x100	1
057	JPTF260-057	Bague		1

Dégauçisseuse/Raboteuse JPT-F260-M / JPT-F260-T – Nomenclature

Repère	Référence	Description	Dim.	Qté.
058	JPTF260-058	Vis à tête plate à six pans creux	M6x16	1
059	JPTF260-059	Boitier Interrupteur		1
060	JPTF260-060	Couvercle Interrupteur		1
061	JPTF260-061	Roue de tension de la chaîne		1
062	JPTF260-062	Arbre de roue de tension		1
063	JPTF260-063	Boulon hexagonal	M8x70	1
064	JPTF260-064	Vis à six pans creux	M8x25	6
065	JPTF260-065M	Interrupteur 230V (non représenté)	DZ07C/230V	1
	JPTF260-065T	Interrupteur 400V (non représenté)	DZ07 / 400V	1
066	JPTF260-066	Boulon hexagonal	M8x40	12
067	JPTF260-067	Ecrou hexagonal	M12	12
068	JPTF260-068	Couvercle de courroie		1
069	JPTF260-069	Couvercle		1
070	JPTF260-070	Boulon hexagonal	M6x12	7
071	JPTF260-071	Ecrou borgne	M6	4
072	JPTF260-072	Rondelle plate	6	9
073	JPTF260-073	Vis ber M6x8	18	
074	JPTF260-074	Rondelle plate	6	26
075	JPTF260-075	Couvercle de cylindre de coupe - Entrée		1
076	JPTF260-076	Couvercle de cylindre de coupe - Sortie		1
077	JPTF260-077	Vis à six pans creux	M6x6	9
078	JPTF260-078	Vis ber	M5x8	8
079	JPTF260-079	Rondelle plate	5	3
080	JPTF260-080	Vis	M4x50	8
081	JPTF260-081	Tige de traction		1
082	JPTF260-082	Couvercle		1
083	JPTF260-083	Vis ber	M4x4	2
084	JPTF260-084	Ecrou hexagonal	M10	6
085	JPTF260-085	Boulon de transport	M10x60	2
086	JPTF260-086	Plaque de serrage		1
087	JPTF260-087	Vis ber	M5x16	1
088	JPTF260-088	Ecrou hexagonal	M5	3
089	JPTF260-089	Base		1
090	JPTF260-090	Vis à six pans creux	M6x12	9
091	JPTF260-091	Plaque pour raboteuse		2
092	JPTF260-092	Vis à six pans creux	M8x16	4
093	JPTF260-093	Vis autotaraudeuse	ST4.2x20	4
094	JPTF260-094	Vis autotaraudeuse	ST4.2x12	2
095	JPTF260-095	Vis à six pans creux	M8x20	1
096	JPTF260-096	Vis à tête plate à six pans creux	M6x16	4
097	JPTF260-097	Bague de retenue	8	2
098	JPTF260-098	Rondelle plate	6	1
099	JPTF260-099	Boulon hexagonal	M6x16	1
100	JPTF260-100	Manchon de soulagement de traction	M20	1
101	JPTF260-101M	Cordon d'alimentation	230V	1
	JPTF260-101T	Cordon d'alimentation & fiche	400V	1
102	JPTF260-102	Boulon hexagonal	M8x110	1
103	JPTF260-103	Ressort		1
104	JPTF260-104	Plaque de serrage		1
105	JPTF260-105	Vis ber	M5x16	2
106	JPTF260-106	Goupille		1
107	JPTF260-107	Ecrou hexagonal	M6	1
108	JPTF260-108	Courroie trapézoïdale	XPZ1250	1
109	JPTF260-109	Chaîne d'entraînement	05B-1-172	1
110	JPTF260-110	Manivelle		1
111	JPTF260-111	Bouton		1
112	JPTF260-112	Vis		1
113	JPTF260-113	Couvercle		1
114	JPTF260-114	Joint torique		1
115	JPTF260-115	Vis de blocage à tête creuse	M6x10	2

Dégauchoiseuse/Raboteuse JPT-F260-M / JPT-F260-T – Nomenclature				
Repère	Référence	Description	Dim.	Qté.
116	JPTF260-116	Orifice de sortie des poussières		1
117	JPTF260-117	Vis à six pans creux	M8x12	2
118	JPTF260-118	Rondelle plastique		1
119	JPTF260-119	Logo JET 113	JET-113	1
120	JPTF260-120	Poussoir		1
121	JPTF260-121	Calibre de réglage des fers		1
	JPTF260M-ID M	Etiquette Identification JPT-F260-M (non représentée)		1
	JPTF260M-ID T	Etiquette Identification JPT-F260-T (non représentée)		1
	JPTF260M-M	Etiquette Moteur JPT-F260-M (non représentée)		1
	JPTF260M-T	Etiquette Moteur JPT-F260-T (non représentée)		1
		Etiquettes de Sécurité (Non représentées)		1
	TS-152704	Clé (Non représentée)	3mm	1
	TS-152705	Clé (Non représentée)	4mm	1
	TS-152706	Clé (Non représentée)	5mm	1
		Etiquette de Sécurité (Non représentée)		1
A00	JPTF260-A00	Ensemble table de sortie (Rep. A01 à A10)		1
A01	JPTF260-A01	Support de table de sortie		1
A02	JPTF260-A02	Arbre de support de table de sortie		1
A03	JPTF260-A03	Arbre excentrique		2
A04	JPTF260-A04	Table de sortie		1
A05	JPTF260-A05	Support de table de sortie avec verrouillage		1
A06	JPTF260-A06	Poignée de blocage		1
A07	JPTF260-A07	Bague de retenue	12	1
A08	JPTF260-A08	Ecrou de blocage hexagonal	M16	4
A09	JPTF260-A09	Vis à six pans creux	M8x25	2
A10	JPTF260-A10	Rondelle plate	16	4
A11	JPTF260-A11	Vis 6 pans	M4x8	4
A12	JPTF260-A12	Equerre		2
B00	JPTF260-B00	Ensemble table d'entrée (Rep. B01 à B20)		1
B01	JPTF260-B01	Arbre de support de table d'entrée		1
B02	JPTF260-B02	Support de table d'entrée		1
B03	JPTF260-B03	Arbre excentrique		2
B04	JPTF260-B04	Support de table de sortie avec verrouillage		1
B05	JPTF260-B05	Attache arbre excentrique		2
B06	JPTF260-B06	Vis à six pans creux	M8x25	4
B07	JPTF260-B07	Support d'arbre excentrique		2
B08	JPTF260-B08	Poignée de réglage		1
B09	JPTF260-B09	Boulon spécial		1
B10	JPTF260-B10	Ecrou hexagonal	M8	2
B11	JPTF260-B11	Boulon spécial		1
B12	JPTF260-B12	Table d'entrée		1
B13	JPTF260-B13	Poignée de blocage		1
B14	JPTF260-B14	Ecrou hexagonal	M10	1
B15	JPTF260-B15	Ecrou de blocage hexagonal	M16	4
B16	JPTF260-B16	Bague de retenue	12	1
B17	JPTF260-B17	Rondelle plate	16	4
B18	JPTF260-B18	Boulon hexagonal	M5x25	2
B19	JPTF260-B19	Ecrou hexagonal	M5	2
B20	JPTF260-B20	Ecrou de blocage hexagonal	M8	1
C00	JPTF260-C00	Ensemble cylindre de coupe (Rep. C01 à C31)		1
C01	JPTF260-C01	Support de cylindre de coupe - Avant		1
C02	JPTF260-C02	Bloc de pression - Avant		1
C03	JPTF260-C03	Goupille	4x10	4
C04	JPTF260-C04	Roulement à billes	6205-2RZ	2
C05	JPTF260-C05	Support de cylindre de coupe - Arrière		1
C06	JPTF260-C06	Bloc de pression - Arrière		1

Dégaucheuse/Raboteuse JPT-F260-M / JPT-F260-T – Nomenclature

Repère	Référence	Description	Dim.	Qté.
C07	JPTF260-C07	Vis à six pans creux	M6x35	4
C08	JPTF260-C08	Rondelle de blocage	6	4
C09	JPTF260-C09	Poulie de broche		1
C10	JPTF260-C10	Ecrou hexagonal spécial broche		1
C11	JPTF260-C11	Rondelle plate	20	1
C12	JPTF260-C12	Rouleau d'avance		1
C13	JPTF260-C13	Came		4
C14	JPTF260-C14	Ressort pour rouleaux		4
C15	JPTF260-C15	Entretoise carrée		4
C16	JPTF260-C16	Rouleau de sortie		1
C17	JPTF260-C17	Ressort de pression		4
C18	JPTF260-C18	Pignon de chaîne d'entraînement		2
C19	JPTF260-C19	Rondelle plate	6	8
C20	JPTF260-C20	Ecrou de blocage hexagonal	M6	4
C21	JPTF260-C21	Entretoise		2
C22	JPTF260-C22	Rondelle plate	8	2
C23	JPTF260-C23	Ecrou de blocage hexagonal	M8	2
C24	JPTF260-C24	Clavette	5x5x12	1
C25	JPTF260-C25	Vis de blocage à tête creuse	M6x10	1
C26	JPTF260-C26	Ecrou hexagonal	M16x1	1
C27	JPTF260-C27	Ecrou de blocage		1
C28	JPTF260-C28	Vis de blocage à tête creuse	M6x8	2
C29	JPTF260-C29	Arbre, Capot à poussières		1
C30	JPTF260-C26	Langnette antiretour		45
C31	JPTF260-C31	Rondelle de réglage		18
C32	JPTF260-C32	Cylindre de coupe		1
C33	JPTF260-C33	Fer	260x25x3mm	3
C34	JPTF260-C34	Barre de blocage		3
C35	JPTF260-C35	Ressort		6
C36	JPTF260-C36	Vis de blocage à tête creuse	M8x20	12
D00	JPTF260-D00	Dispositif d'entraînement (Rep. D01 à D31)		1
D01	JPTF260-D01	Frette		1
D02	JPTF260-D02	Support du guide d'entraînement		1
D03	JPTF260-D03	Poulie de tension		1
D04	JPTF260-D04	Rondelle plastique		5
D05	JPTF260-D05	Pignon		1
D06	JPTF260-D06	Bague		1
D07	JPTF260-D07	Plaque (incluant Rep. D02)		1
D08	JPTF260-D08	Roulement à billes	6004-2RZ	3
D09	JPTF260-D09	Rondelle pour pignon		1
D10	JPTF260-D10	Ecrou de blocage hexagonal	M8	5
D11	JPTF260-D11	Rondelle plate	8	2
D12	JPTF260-D12	Bague de retenue	42	1
D13	JPTF260-D13	Vis à métaux à tête plate	M6x16	6
D14	JPTF260-D14	Tension Plate		1
D15	JPTF260-D15	Bague		1
D16	JPTF260-D16	Poulie à friction		1
D17	JPTF260-D17	Arbre à friction		1
D18	JPTF260-D18	Rondelle plate		1
D19	JPTF260-D19	Boulon hexagonal	M8x45	2
D20	JPTF260-D20	Rondelle plate	6	3
D21	JPTF260-D21	Ecrou de blocage hexagonal	M6	3
D22	JPTF260-D22	Rondelle plate	20	1
D23	JPTF260-D23	Rondelle plate	8	1
D24	JPTF260-D24	Levier, poulie à friction		1
D25	JPTF260-D25	Vis plate à six pans creux	M6x16	1
D26	JPTF260-D26	Ressort		1
D27	JPTF260-D27	Poignée du levier		1
D28	JPTF260-D28	Ecrou hexagonal	M8	1
D29	JPTF260-D29	Clavette	8x7x20	1

Dégauçisseuse/Raboteuse JPT-F260-M / JPT-F260-T – Nomenclature

Repère	Référence	Description	Dim.	Qté.
E00	JPTF260-E00	Ensemble table à raboter (Rep. E01 à E31)		1
E01	JPTF260-E01	Support de colonne		1
E02	JPTF260-E02	Barre de manivelle		1
E03	JPTF260-E03	Logement de pignon		1
E04	JPTF260-E04	Vis de blocage à tête creuse	M8x12	4
E05	JPTF260-E05	Bague de retenue	18	1
E06	JPTF260-E06	Rondelle plate	10	4
E07	JPTF260-E07	Ecrou de blocage hexagonal	M10	2
E08	JPTF260-E08	Boulon hexagonal	M6x60	2
E09	JPTF260-E09	Colonne		1
E10	JPTF260-E10	Table à raboter		1
E11	JPTF260-E11	Indicateur de hauteur		1
E12	JPTF260-E12	Manette de blocage (incluant Rep. E13)		1
E13	JPTF260-E13	Barre de blocage		1
E14	JPTF260-E14	Barre de guidage de la table à raboter		1
E15	JPTF260-E15	Support levage		1
E16	JPTF260-E16	Vis de levage		1
E17	JPTF260-E17	Bague		1
E18	JPTF260-E18	Engrenage montée/descente		1
E19	JPTF260-E19	Palier de butée 51102		1
E20	JPTF260-E20	Roulement à aiguilles AXK1024		1
E21	JPTF260-E21	Vis ber	M4x12	2
E22	JPTF260-E22	Rondelle plate	4	2
E23	JPTF260-E23	Boulon creux à tête plate	M8x16	8
E24	JPTF260-E24	Plaque de champs		4
E25	JPTF260-E25	Vis à métaux à tête plate	M4x8	12
E26	JPTF260-E26	Vis à six pans creux	M6x40	1
E27	JPTF260-E27	Ecrou hexagonal	M6	1
E28	JPTF260-E28	Vis à six pans creux	M8x35	4
E29	JPTF260-E29	Rondelle de blocage	8	4
E30	JPTF260-E30	Sleeve		1
E31	JPTF260-E31	Goupille	4x30	1
E32	JPTF260-E32	Rouleau support		1
E33	JPTF260-E33	Rouleau		1
E34	JPTF260-E34	Ecrou hexagonal	M10	2
E35	JPTF260-E35	Rondelle plate	8	2
E36	JPTF260-E36	Ecrou hexagonal	M8	2
E37	JPTF260-E37	Boulon hexagonal	M8x20	2
F00	JPTF260-F00	Ensemble guide (Rep. F01 à F31)		1
F01	JPTF260-F01	Base du guide		1
F02	JPTF260-F02	Plaque de fixation A		1
F03	JPTF260-F03	Plaque de serrage		1
F04	JPTF260-F04	Plaque de fixation B		1
F05	JPTF260-F05	Bloc du guide		1
F06	JPTF260-F06	Support du guide		1
F07	JPTF260-F07	Rondelle plate		1
F08	JPTF260-F08	Plaque coulissante		1
F09	JPTF260-F09	Plaque de raccordement M8		1
F10	JPTF260-F10	Guide		1
F11	JPTF260-F11	Poignée de réglage M8x28		2
F12	JPTF260-F12	Rondelle plate	8	2
F13	JPTF260-F13	Couvercle droit pour guide		2
F14	JPTF260-F14	Couvercle gauche pour guide		2
F15	JPTF260-F15	Vis de blocage à tête creuse	M10x35	2
F16	JPTF260-F16	Ecrou hexagonal	M10	2
F17	JPTF260-F17	Vis à six pans creux	M6x16	4

Dégauchisseuse/Raboteuse JPT-F260-M / JPT-F260-T – Nomenclature

Repère	Référence	Description	Dim.	Qté.
F18	JPTF260-F18	Vis de blocage à tête creuse	M6x15	2
F19	JPTF260-F19	Vis de blocage à tête creuse	Ø6x30	1
F20	JPTF260-F20	Curseur		1
F21	JPTF260-F21	Rondelle plate	4	1
F22	JPTF260-F22	Vis ber	M4x8	1
F23	JPTF260-F23	Graduation du guide		1
F24	JPTF260-F24	Vis à six pans creux	M6x25	4
F25	JPTF260-F25	Vis à six pans creux	M8x12	4
F26	JPTF260-F26	Poignée de réglage M8x20		1
F27	JPTF260-F27	Plaque de protection pour serrage		1
F28	JPTF260-F28	Vis autotaraudeuse	ST3.5x12	4
F29	JPTF260-F29	Entretoise d'arrêt		1
F30	JPTF260-F30	Plaque de blocage M8		1
F31	JPTF260-F31	Vis à métaux à tête plate	M6x20	1
G00	JPTF260-G00	Ensemble de protection du cylindre de coupe (Rep. G01 à G26)		1
G01	JPTF260-G01	Base pivotante, protection		1
G02	JPTF260-G02	Equerre de liaison		1
G03	JPTF260-G03	Couvercle de la plaque de protection		1
G04	JPTF260-G04	Plaque de protection du protecteur		1
G05	JPTF260-G05	Support du protecteur		1
G06	JPTF260-G06	Bouton de blocage		1
G07	JPTF260-G07	Ressort pour protecteur		1
G08	JPTF260-G08	Tige		1
G09	JPTF260-G09	Rondelle plate	8	2
G10	JPTF260-G10	Ecrou de blocage hexagonal	M8	2
G11	JPTF260-G11	Ecrou hexagonal	M8	3
G12	JPTF260-G12	Rondelle plate	8	3
G13	JPTF260-G13	Ecrou borgne hexagonal	M8	1
G14	JPTF260-G14	Ecrou de blocage hexagonal	M6	5
G15	JPTF260-G15	Vis à six pans creux	M6x20	2
G16	JPTF260-G16	Rondelle plate	6	10
G17	JPTF260-G17	Vis à métaux à tête plate	M6x20	2
G18	JPTF260-G18	Plaque de blocage		1
G19	JPTF260-G19	Vis à six pans creux	M6x10	2
G20	JPTF260-G20	Bouton M6		1
G21	JPTF260-G21	Vis ber	M5x65	1
G22	JPTF260-G22	Ecrou de blocage hexagonal	M5	1
G23	JPTF260-G23	Bouton M8		1
G24	JPTF260-G24	Protection du cylindre de coupe		1
G25	JPTF260-G25	Embout plastique protecteur		2
G26	JPTF260-G26	Ressort pour protection du cylindre de coupe		1
G27	JPTF260-G27	Goupille	3x8	4

Schéma de câblage pour Dégauchisseuse/Raboteuse JPT-F260-M

JPT-F260-M.....~ 230V, 50Hz

	colour of strands	Litzenfarben	Couleur des cordons
BK	black	schwarz	noir
WH	white	weiß	blanc
BU	blue	blau	bleu
RD	red	rot	rouge
BN	brown	braun	brun
GY	grey	grau	gris
GNYE	green-yellow	grün-gelb	vert-jaune

	meaning of symbol	Bedeutung der Zeichen	Interprétation
M	motor	Motor	Moteur
S	switch	Schalter	Interrupteur
C1	Condenser of running	Kondensator	Condensateur
C2	Condenser of Starting	Kondensator	Condensateur
n	centrifugal switch	Fliehkraftschalter	Déclencheur centrifuge
OL	overload cut-off	Überlastschutzschalter	Déclencheur surcharge
LS	limit switch	Positionsendschalter	Interrupteur fin de course
SB	E-stop	Not-Aus Taster	Arrêt d'urgence

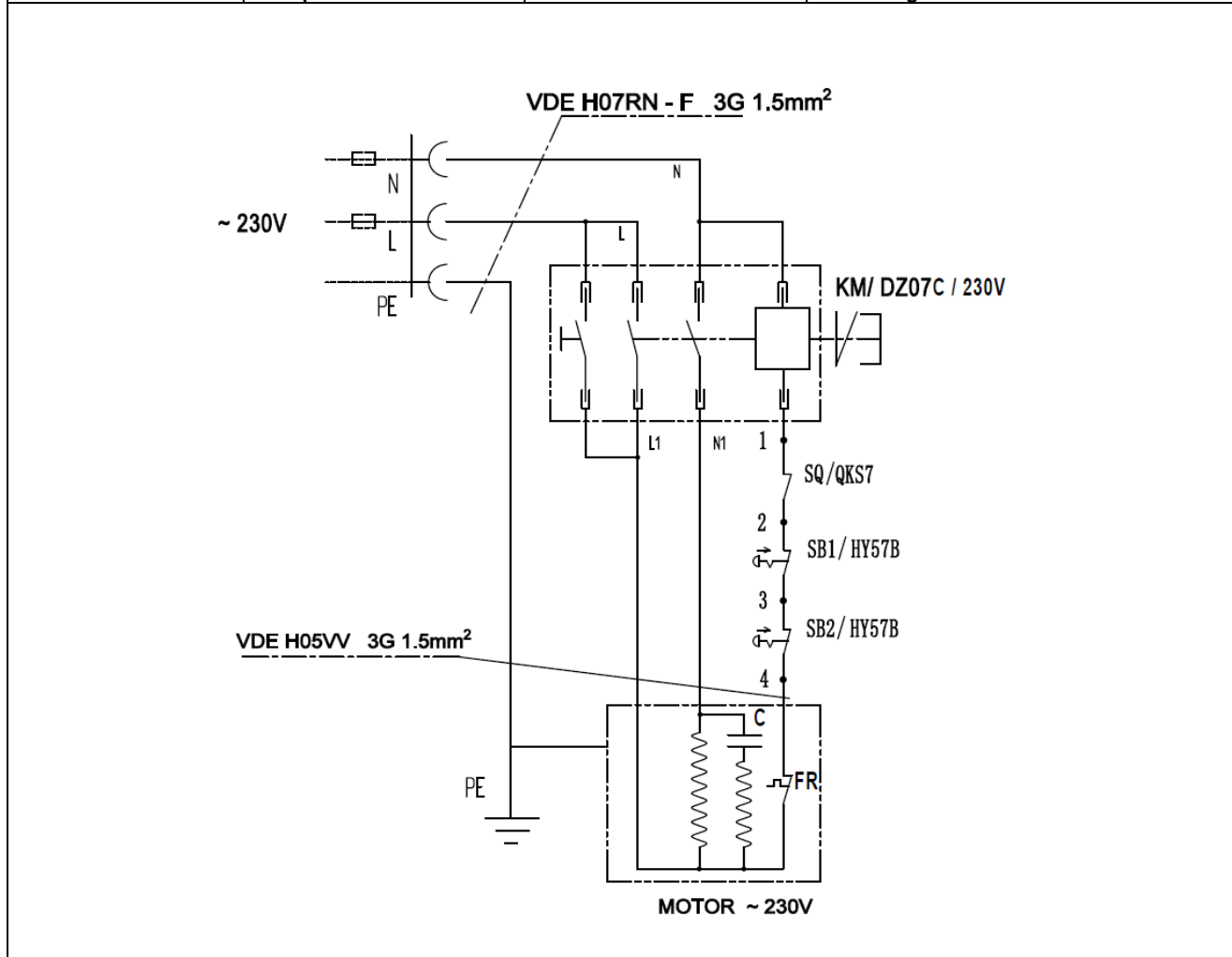


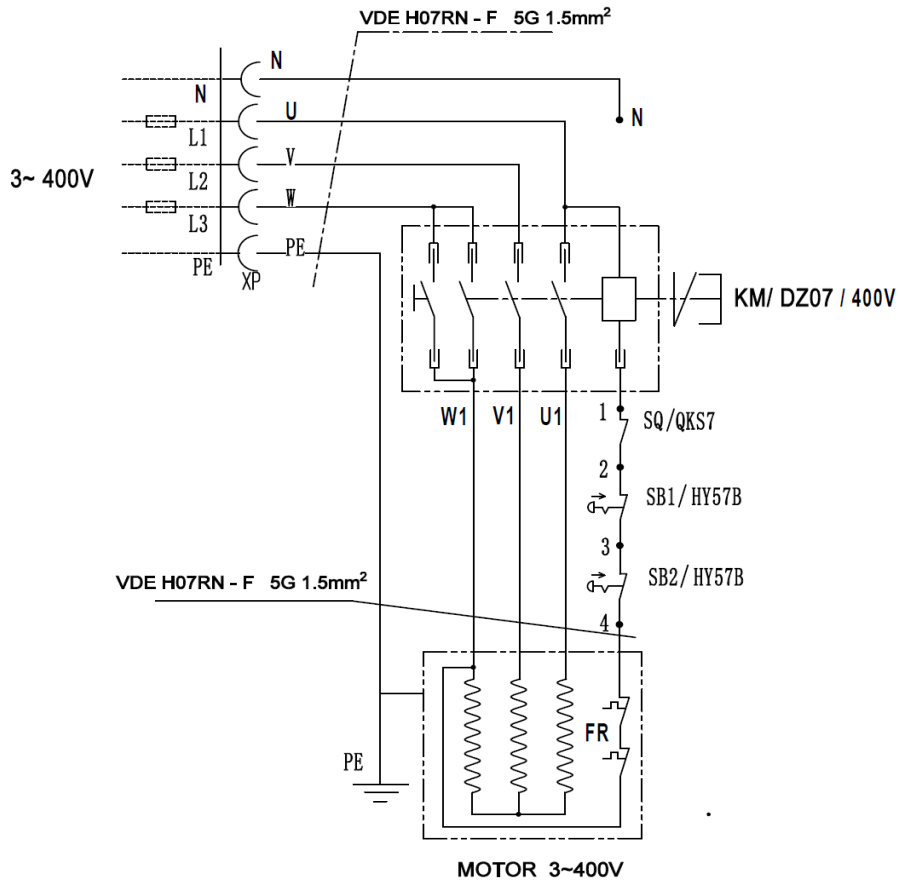
Schéma de câblage pour Dégauchisseuse/Raboteuse JPT-F260-T

*

JPT-F260-T.....3~ 400V, 50Hz

	colour of strands	Litzenfarben	Couleur des cordons
BK	black	schwarz	noir
WH	white	weiß	blanc
BU	blue	blau	bleu
RD	red	rot	rouge
BN	brown	braun	brun
GY	grey	grau	gris
GNYE	green-yellow	grün-gelb	vert-jaune

	meaning of symbol	Bedeutung der Zeichen	Interprétation
M	motor	Motor	Moteur
S	switch	Schalter	Interrupteur
C1	Condenser of running	Kondensator	Condensateur
C2	Condenser of Starting	Kondensator	Condensateur
n	centrifugal switch	Fliehkraftschalter	Déclencheur centrifuge
OL	overload cut-off	Überlastschutzschalter	Déclencheur surcharge
LS	limit switch	Positionsendschalter	Interrupteur fin de course
SB	E-stop	Not-Aus Taster	Arrêt d'urgence





ENVIRONMENTAL PROTECTION

Protect the environment.

Your appliance contains valuable materials which can be recovered or recycled. Please leave it at a specialized institution.



This symbol indicates separate collection for electrical and electronic equipment required under the WEEE Directive (Directive 2012/19/EC) and is effective only within the European Union.

UMWELTSCHUTZ

Schützen Sie die Umwelt!

Ihr Gerät enthält mehrere unterschiedliche, wiederverwertbare Werkstoffe. Bitte entsorgen Sie es nur an einer spezialisierten Entsorgungsstelle.



Dieses Symbol verweist auf die getrennte Sammlung von Elektro- und Elektronikgeräten, gemäß Forderung der WEEE-Richtlinie (2012/19/EU). Diese Richtlinie ist nur innerhalb der Europäischen Union wirksam.

PROTECTION DE L'ENVIRONNEMENT

Protégez l'environnement !

Votre appareil comprend plusieurs matières premières différentes et recyclables. Pour éliminer l'appareil usagé, veuillez l'apporter dans un centre spécialisé de recyclage des appareils électriques.



Ce symbole indique une collecte séparée des équipements électriques et électroniques conformément à la directive DEEE (2012/19/UE). Cette directive n'est efficace que dans l'Union européenne.



WARRANTY / GARANTIE

TOOL FRANCE guarantees that the supplied product(s) is/are free from material defects and manufacturing faults.

This warranty does not cover any defects which are caused, either directly or indirectly, by incorrect use, carelessness, damage due to accidents, repairs or inadequate maintenance or cleaning as well as normal wear and tear.

Further details on warranty (e.g. warranty period) can be found in the General Terms and Conditions (GTC) that are an integral part of the contract.

These GTC may be viewed on the website of your dealer or sent to you upon request.

TOOL FRANCE reserves the right to make changes to the product and accessories at any time.

TOOL FRANCE garantiert, dass das/die von ihr gelieferte/n Produkt/e frei von Material- und Herstellungsfehlern ist.

Diese Garantie deckt keinerlei Mängel, Schäden und Fehler ab, die - direkt oder indirekt - durch falsche oder nicht sachgemäße Verwendung, Fahrlässigkeit, Unfallschäden, Reparaturen oder unzureichende Wartungs- oder Reinigungsarbeiten sowie durch natürliche Abnutzung durch den Gebrauch verursacht werden.

Weitere Einzelheiten zur Garantie können den allgemeinen Geschäftsbedingungen (AGB) entnommen werden.

Diese können Ihnen auf Wunsch per Post oder Mail zugesendet werden.

TOOL FRANCE behält sich das Recht vor, jederzeit Änderungen am Produkt und am Zubehör vorzunehmen.

TOOL FRANCE garantit que le/les produit(s) fourni(s) est/sont exempt(s) de défauts matériels et de défauts de fabrication.

Cette garantie ne couvre pas les défauts, dommages et défaillances causés, directement ou indirectement, par l'utilisation incorrecte ou inadéquate, la négligence, les dommages accidentels, la réparation, la maintenance ou le nettoyage incorrects et l'usure normale.

Vous pouvez trouver de plus amples détails sur la garantie dans les conditions générales (CG). Les CG peuvent être envoyées sur demande par poste ou par e-mail.

TOOL FRANCE se réserve le droit d'effectuer des changements sur le produit et les accessoires à tout moment.

UK DECLARATION OF CONFORMITY

Edition January 2024

Product:
Planer & Thicknesser

Model:
JPT-F260-M / JPT-F260-T

Brand:
JET

Manufacturer or authorized representative:

TOOL FRANCE

Unit 1a Stepnell Park Off
Lawford Road Rugby
CV21 2UX
United Kingdom

We hereby declare that this product complies with the regulations: **SUPPLY OF MACHINERY (SAFETY) REGULATIONS 2008 ELECTROMAGNETIC COMPATIBILITY REGULATIONS 2016**

Designed in consideration of the standards:

EN ISO 12100: 2010 / EN 60204-1:2018
EN ISO 19085-7:2019 / EN ISO 19085-1:2021
EN55014-1 :2006/A2 :2014 / EN 55014-2 :2015
EN 61000-3-2: 2011 / EN 61000-3-11 :2000

Responsible for the documentation / Dokumentations-Verantwortung / Responsable de la documentation:



JÉRÔME GERMAIN
GENERAL MANAGER
DIRECTEUR GÉNÉRAL

N° de série / serial number :

At lisses / Hergestellt in / Fait à Lisses

Date :

CE-CONFORMITY DECLARATION CE-KONFORMITÄTSERKLÄRUNG DÉCLARATION DE CONFORMITÉ CE

Edition January 2024

Product / Produkt / Produit:
Planer & Thicknesser / Abrichthobelmaschine / dégauchisseuse

Model :

JPT-F260-M / JPT-F260-T

Brand / Marke / Marque:

JET

Manufacturer or authorized representative/ Hersteller oder Bevollmächtigter/ Fabricant ou son mandataire:

TOOL FRANCE

9 Rue des Pyrénées, 91090 LISSES, France

We hereby declare that this product complies with the regulations

Wir erklären hiermit, dass dieses Produkt der folgenden Richtlinie entspricht Par la présente, nous déclarons que ce produit correspond aux directives suivantes

2006/42/EC

Machinery Directive / Maschinenrichtlinie / Directive Machines

2014/30/EU

Electromagnetic Compatibility / Elektromagnetische Verträglichkeit / compatibilité électromagnétique

2011/65/EU

RoHS directive / RoHS-Richtlinie / Directive RoHS

designed in consideration of the standards

und entsprechend folgender zusätzlicher Normen entwickelt wurde
et été développé dans le respect des normes complémentaires suivantes

EN ISO 12100: 2010 / EN 60204-1:2018

EN ISO 19085-7:2019 / EN ISO 19085-1:2021

EN 55014-1 :2006/A2 :2014 / EN 55014-2 :2015

EN 61000-3-2: 2011 / EN 61000-3-11 :2000

Original instruction manual / Original-Bedienungsanleitung / Notice d'instruction Originale Responsible for the documentation / Dokumentations-Verantwortung / Responsable de la documentation



JÉRÔME GERMAIN

GENERAL MANAGER

DIRECTEUR GÉNÉRAL

N° de série / serial number :

At lisses / Hergestellt in / Fait à Lisses

Date :