

TFAS-355

TRONÇONNEUSE ABRASIVE
ABRASIVE SAW
ABSCHLEIFENDE KREISSÄGE



www.promac.fr

 TOOL FRANCE

CE UK
CA

GB - ENGLISH

OPERATING INSTRUCTIONS

Dear Customer,

Many thanks for the confidence you have shown in us with the purchase of your new TOOL FRANCE machine. This manual has been prepared for the owner and operators of a TFAS-355 metal band saw to promote safety during installation, operation and maintenance procedures. Please read and understand the information contained in these operating instructions and the accompanying documents. **To obtain maximum life and efficiency from your machine, and to use the machine safely, read this manual thoroughly and follow instructions carefully.**

Table des Matières

1. Declaration of conformity
2. Warranty
3. Safety
4. Specifications
5. Machine description
6. Machine installation
7. Start-up
8. Maintenance
9. Environmental protection

1. Declaration of conformity

On our own responsibility we hereby declare that this product complies with the regulations* listed on page 2. Designed in consideration with the standards**.

2. Warranty

TOOL FRANCE guarantees that the supplied product is free from material defects and manufacturing faults. This warranty does not cover any defects which are caused, either directly or indirectly, by incorrect use, carelessness, accidental damage, repair, inadequate maintenance or cleaning and normal wear and tear. Any warranty details (i.e. warranty period) can be found in the General Terms and Conditions (GTC) that are integral part of the contract. These GTC can be viewed at the website of your dealer or sent to you upon request. TOOL FRANCE guarantees that the supplied product is free from material defects and manufacturing faults. TOOL FRANCE reserves the right to make changes to the product and accessories at any time.

3. Safety

3.1 Authorized use

This abrasive saw is designed for sawing metal only. Any other application is not permitted and may be carried out in specific cases only after consulting with the manufacturer.

Sawing other materials is forbidden and may only be carried out in special cases and with the agreement of the machine manufacturer.

Never cut magnesium - fire hazard!

When machining, the workpiece must be easy to place and clamp.

Intended use implies strict compliance with the operating and maintenance instructions given in this manual. The machine may only be operated by persons who are familiar with its operation, maintenance and repair, and who have been informed of the relevant hazards. The minimum age required by law must be observed.

The machine may only be used if it is in perfect technical condition.

Do not operate the machine unless all safety devices and guards are in place.

In addition to the safety instructions contained in these operating instructions and the safety regulations applicable in your country, the general rules governing the use of metalworking machines must be observed. Any use outside this framework is considered improper, and the manufacturer declines all responsibility, which in this case is borne exclusively by the user.

3.2 Safety instructions

The improper use of a metalworking machine can be extremely dangerous. For this reason, the following accident prevention regulations and instructions must be strictly observed.

Read and understand these operating instructions carefully before setting up or using your machine.

Keep all documents supplied with the machine supplied with the equipment (in a plastic pocket, away from dust, oil and moisture) and be sure to enclose this documentation if you sell the machine.

Do not make any modifications to the machine. Use only the recommended accessories can be dangerous. Every day before using the machine, check that all protective devices and flawless operation.

In the event of defects in the machine or its protective devices warning and do not use the machine. Disconnect the machine from the mains.

Before starting the machine, remove ties, rings, watches and other jewellery, and roll up sleeves to elbows. Remove loose clothing and tie up long hair.

Wear safety shoes, especially no leisure wear or sandals. Wear personal safety equipment when machine work.

Do not wear gloves.

Wear appropriate gloves when handling discs.

Wear safety goggles when working.

Position the machine to allow sufficient space for manoeuvring and guiding the workpieces.

Ensure adequate lighting.

Place the machine on stable, level ground.

Ensure that the power cable does not interfere with work or cause the operator to trip.

Keep the floor around the machine clean and free of garbage, oil and grease.

Never reach into the running machine.

Pay close attention to work and stay focused.

Avoid abnormal body posture.

Maintain a stable posture and good balance at all times.

Do not work under the influence of drugs, alcohol or medication.

Keep all incompetent people away from the machine, especially children.

Never leave the machine running unattended.

Stop the machine before leaving the work area.

Keep machine away from flammable liquids and gases. observe fire-fighting regulations, e.g. location and use of fire extinguishers. extinguishers.

Protect the machine from moisture and never expose it to rain. exposed to rain.

When sawing workpieces that are difficult to manoeuvre, use a support.

Lower disc guides as close as possible to the workpiece.

Do not remove swarf or machined parts until the machine the machine has stopped.

Use only sharp tools.

Before starting work, check that the workpiece is properly secured.

Follow the specifications for maximum and minimum workpiece dimensions.

Do not stand on the machine.

Never operate the machine without the protective devices - risk of serious injury!

All connection and repair work on the electrical system may only be carried out by a qualified electrician.

Replace damaged or worn cables immediately. worn cables.

Carry out any adjustment or maintenance work only after disconnecting the machine from the mains.

3.3. Risks

Even if you comply with the instructions and safety the following risks exist:

Risk of injury from the free disk in the work area. area.

Danger of blade breakage.

Risk of ejected parts.

Danger from chips and noise.

Wear personal safety equipment such as glasses, face shield when working with the machine!

Danger from damaged, worn or incorrectly connected.

4. Specifications

4.1 Technical specifications

Cutting capacities:

0°	round	120 mm
	edge	105 mm
	rectangle	125 x 105 mm

45° L	round	100 mm
	edge	90 mm
	rectangle	90 x 100 mm

30° R	round	100 mm
	edge	80 mm
	rectangle	80 x 100 mm

Vice opening: 240 mm

Dimensions disc: 350 x 3 x 25,4 mm

Disc type: Abrasive disc

Speed rotation: 3400 rev/min

Feed: 230V

Engine power: 2,2 kW

Frequency: 50 Hz

Protection class: IP20

Dimensions: 270 x 640 x 520 mm

Packaging size: 380 x 450 x 587 mm

Weight: 20 kg

4.2 Noise emission

Sound pressure level (according to EN 11202):

Machining 102.9 dB(A)

The indications given are noise levels and are not necessarily the levels for safe working.

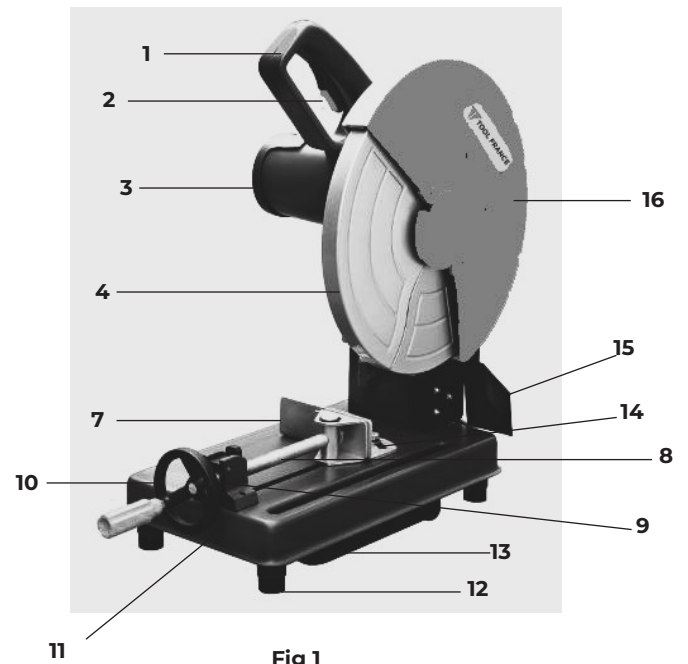
This information is nevertheless important, so that the user can estimate possible hazards and risks.

4.3 Scope of delivery

Cut-off wheel 350 x 3 x 25.4

Instructions for use

Spare parts list

Main items

- | | |
|----------------------------|------------------------------|
| 1) Handle | 10) Vice crank |
| 2) On/off switch | 11) Base |
| 3) Motor housing | 12) Stand |
| 4) Mob. protective housing | 13) Chip tray |
| 7) Pivoting front vise jaw | 14) Adjustable back vise jaw |
| 8) Vise axis | 15) Dust collector |
| 9) Vise support base | 16) Fixed protection card |

Machine assembly

1. Disconnect the machine from the power supply.
2. Ensure that the saw head is in the up position.
3. Unscrew the two screws on the blade guard (A).
4. Remove the central guard (B).
5. Lift off mobile disc guard.
6. Turn the disc (D) and lock it using the shaft lock lever. (E)
7. Once the disc shaft lock lever is engaged, use the key on the disc shaft bolt and turn it counter-clockwise to loosen it.
8. Remove the axle bolt, washer and outer disc flange.
9. Carefully remove the disc (D).
10. Ensure that the surfaces of the disc bearing points are clean and free of foreign particles.
11. Fit the reduction ring onto the new grinding disc.

12. Install the new disc on the inner flange.
13. Refit outer disc flange, washer and axle bolt.
14. Tighten the axle bolt clockwise with the wrench, making sure the disc shaft lock lever (E) is engaged.
15. Disengage the disc shaft lock lever.
16. Lower mobile disc housing (C).
17. Replace central disc guard (B).
18. Tighten both screws (A).
19. Make sure the disc is not mounted at an angle.

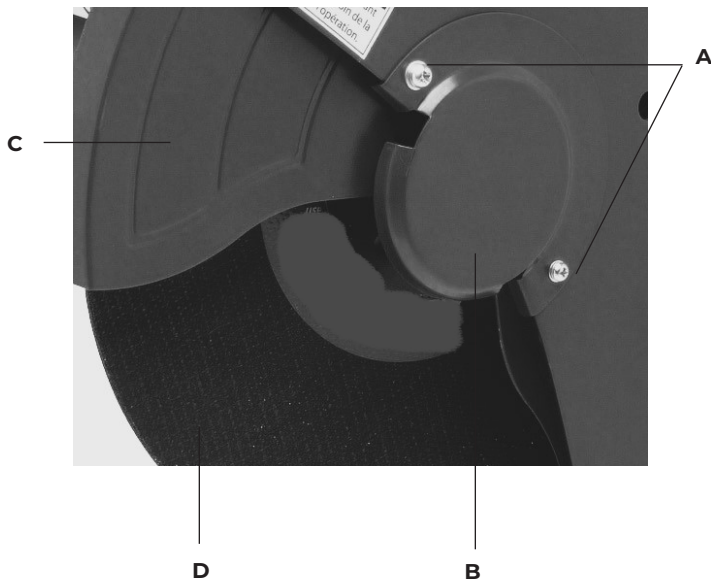


Fig 2

Preparing for commissioning

Before commissioning the machine, check that all parts are in good condition, and that it operates correctly. If safety measures and normal operating conditions are observed, the machine's accuracy will be assured for many years to come.

6. Machine installation

Handling and transport

Given the weight (20 kg) and dimensions of the machine, it can be handled and set up by a single person. When transporting the chainsaw, always lock the cutting head in the down position using the head locking pin provided. A handle makes it easy to carry.

Packaging

The construction site chainsaw is packaged and supplied with an abrasive disc, in a cardboard box for easy handling, transport and storage.

When unpacking, remove each part of the chainsaw, check its general condition and then proceed with assembly.

For transport purposes, the chainsaw head is locked in the down position by a head locking pin. To move the head upwards, simply pull the pin out of the motor housing.

Check that the machine is clean.

If the product does not look right, or if any parts are broken or missing, contact your dealer.

Keep the instruction manual for future reference.

MACHINE INSTALLATION

Power supply voltage according to machine specifications.

Ambient temperature between +5°C and +35°C.

Relative humidity not exceeding 90%.

Sufficient ventilation at installation site.

Work area adequately lit for safe working: lighting must be 300 LUX.

Take into account the machine's position in the room, which must be conducive to movement. Maintain a minimum distance of 800 mm between the rear of the machine and the wall.

Position the machine on a flat, horizontal surface so that it is as stable and level as possible.

Use machine support frames of sufficient capacity.

To ensure ergonomic cutting, the ideal height is that which allows the vice plane to be positioned at around 90/95 cm from the floor.

Make sure that no-one stands in the way of debris and sparks caused by cutting.

6.1 Electrical presence

Ensure that the electrical supply voltage of the installation matches that of the machine.

Make the electrical connection using the machine's power cable.

Check that the installation's electrical socket is compatible with the machine's plug (2P+T).

For connection, the socket used must comply with «EN 60309-1» standards.

Check that the electrical installation to which the machine is to be connected is properly earthed, in accordance with current safety standards.

The user is reminded that the electrical installation must always be preceded by a thermal-magnetic protection that safeguards all conductors against short-circuits and overloads.

This protection must always be selected on the basis of the machine's electrical characteristics, as specified on the nameplate:

Voltage: 230 V single-phase

Frequency: 50 Hz

Motor power: 2.2 kW

Current: 10 A

Protection rating: IP 20

6.2 Initial test and inspection before first use
Check that the chainsaw is on a flat, level surface, so that it is as stable and level as possible.

Check that all moving parts work properly, and that there are no damaged parts.

Check that all guards are present, intact and in good working order.

Check the condition of the disc.

Check the lowering of the disc head, the disc guard and the vice.

Check that the machine runs perfectly empty.

ADJUSTING THE GUIDE BRACKETS DISC

The back of the saw blade must rest on the rear guide support and the blade must pass between the bearings. By loosening the bolt, the rear guide of the left-hand support, mounted on an eccentric, can easily be moved and adjusted to the thickness of the disc.

adjusted to the thickness of the disc. The bearings on the right-hand side are adjusted in the same way, except that the adjustable guide is located at the front.

The gap between the disc and the bearings should not exceed 0.05 mm.

VICE

The workpiece must be clamped in the vice so that the end to be cut protrudes beyond the disc. The vise jaw is moved using the vise lever (12). To clamp the workpiece, bring the vise up to the workpiece to be clamped, taking care to set the vise lever in the up position. Then move the jaw back slightly and clamp the workpiece by lowering the small vise lever.

7. Switching on

WARNING :

In the event of danger or malfunction, press the red push-button to stop all machine activity! machine activity!

1. Check disc tension.
2. Clamp workpiece in vice.
3. Bring left-hand disc as close as possible to workpiece.
4. Start the machine by pressing start button «I» and then pressing the handle switch.
5. The life of the blade is extended if you grease it regularly with metal sawing grease (Art. 100103; sold in Switzerland only).
6. Once the cut has been made, the machine stops by releasing the handle.

STARTING AND STOPPING THE MACHINE

To start the machine, raise the saw arm.

Press the start switch, then press the switch on the bow lowering handle. The machine stops when the handle switch is released or the stop push-button is pressed. In the model, the speeds are adjustable with the speed switch.

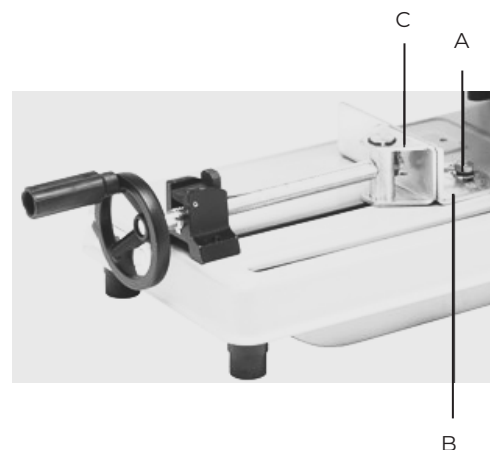
7.1 Settings

A. Angle cuts

The chainsaw can cut at 0°, 45° Left, 30° Right and intermediate angles:

1. Loosen the locking bolts on the adjustable rear jaw (A).
2. Turn rear jaw (B) to desired angular position.
3. Tighten rear jaw locking bolts (A).
4. The front jaw (C) pivots into the required position and will automatically align with the material.

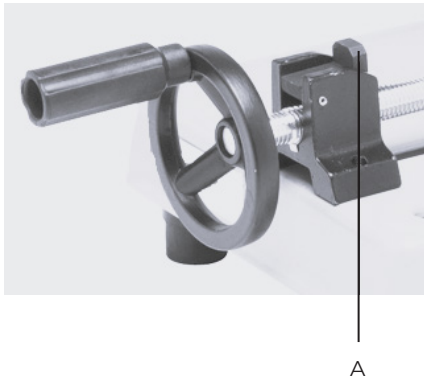
The adjustable rear jaw (A) can also be moved vertically by unscrewing the locking bolts (e.g. for 30° right-hand cuts).



B. Vice unit

The vice has a quick-release clamp:

1. Place the material to be cut against the adjustable rear vise jaw at the desired cutting angle.
2. Tilt the release lever (A) backwards to release the vise pin.
3. Slide the pivoting front vise jaw towards the material to be cut to engage it.
4. Tilt the release lever forward to lock the vise pin.
5. Fully tighten the vice using the crank handle.



C. Clamping the material to be cut

Do not position material to be cut on the vise assembly :
During cutting.

While a profile is already inserted in the vice.

1. Open the vice sufficiently.
2. Measure material and mark cutting line.
3. Place material to be cut between jaws.
4. Align material to be cut with disc and adjustable rear vise jaw.
5. Clamp material as described above.

To guarantee precise cuts, optimum efficiency and longer blade life, the figures opposite show the recommended positioning of the profiles in the vice (for straight cuts at 0°). Always cut on the smallest material thickness.

D. Lowering stroke of the blade

The depth stop can be used to adjust the downfeed stroke:

1. Loosen locknut).
2. Tighten or loosen stop screw as required.
3. Then retighten locknut.

7.2 Cutting procedure

A. Cutting instructions :

1. Set the rear jaw to the desired cutting angle.
2. Set depth stop.
3. Open front jaw sufficiently.
4. Position material in vice to desired length.
5. Clamp material correctly.
6. Press the switch to start the motor and allow the blade to reach maximum speed.
7. Lower the head slowly towards the material to be cut, applying constant and correct pressure, avoiding any sudden contact.
8. If the cut is made by forcing, the disc will tend to bend and the cut will be at an angle.
9. Do not stand in front of the blade, but slightly to one side.

B. Stop :

1. Raise head when cutting is complete.
2. Release switch (A) to stop the machine. The blade will continue to rotate for a few seconds before coming to a complete stop.
3. After cutting, return the head to its initial position.
4. Open the vice.
5. Push back or remove material to be cut.

8. Maintenance

Daily machine maintenance

Clean the machine normally to remove accumulated dust and debris.

Check sanding disc for wear.

Check that protective covers and switch are working properly.

If the machine is left outside, cover it with a waterproof cover.

Weekly machine maintenance

Clean machine thoroughly, especially to remove chips.

Check protective guards and controls for correct operation, looking for any faults.

Maintenance de la machine mensuelle

Vérifier si les vis du moteur et des carters de protection sont bien serrées.

Contrôler et remplacer si nécessaire le câble d'alimentation électrique.

Monthly machine maintenance

Check motor and guard screws for tightness.

Check power supply cable and replace if necessary.

Lubrication

Lubricate your machine once a month to extend its service life:

Rotating part of vice, sliding part of vice, rotating part of motor shaft (use machine oil).

Head lift pin.

All bearings are lubricated for life.

Carbon

The service life of carbon brushes varies, depending on the motor load, but should be at least 50 hours.

Check the carbon brushes after the first 50 hours of operation.

After the first inspection, check them every 10 hours.

The brushes are located on either side of the motor:

1. Unscrew the plastic carbon covers on either side of the motor.
2. Remove the brushes.
3. Clean the brush holders.
4. Install new coals.
5. Screw the plastic carbon covers back on.

When a carbon is less than 1 mm long, or has burnt out, or the spring is bent, replace both coals.

Do not swap coals after inspection.

Taking the machine out of service

If the chainsaw is not to be used for an extended period of time, it is advisable to proceed as follows:

1. Disconnect the mains plug.
2. Loosen the blade.
3. Clean machine carefully.
4. Cover machine, if necessary.

9. Protecting the environment

Protect the environment!

Your machine is made of many different raw materials that can be recycled. To dispose of your used device, please take it to a specialized electrical appliance recycling center.



This symbol indicates separate collection of electrical and electronic equipment in accordance with the WEEE Directive (2012/19/EU). This directive is only effective in the European Union.

DE - DEUTSCH GEBRAUCHSANLEITUNG

Sehr geehrter Kunde,

vielen Dank für das Vertrauen, welches Sie uns beim Kauf Ihrer neuen Maschine entgegengebracht haben. Diese Anleitung ist für den Inhaber und die Bediener zum Zweck einer sicheren Inbetriebnahme, Bedienung und Wartung der Metallbandsäge TFAS-355 erstellt worden. Beachten Sie bitte die Informationen dieser Gebrauchsanleitung und der beiliegenden Dokumente. Lesen Sie diese Anleitung vollständig, insbesondere die Sicherheitshinweise, bevor Sie die Maschine zusammenbauen, in Betrieb nehmen oder warten. Um eine maximale Lebensdauer und Leistungsfähigkeit Ihrer Maschine zu erreichen befolgen Sie bitte sorgfältig die Anweisungen.

INHALTSVERZEICHNIS

1. Erklärung der Konformität
2. Garantieleistungen
3. Sicherheit
4. Spezifikationen
5. Beschreibung der Maschine
6. Installation der Maschine
7. Inbetriebnahme
8. Pflege
9. Schutz der Umwelt

1. Konformitätserklärung

Wir erklären in alleiniger Verantwortlichkeit, dass dieses Produkt mit den auf Seite 2 angegebenen Richtlinien* übereinstimmt.

Bei der Konstruktion wurden folgende Normen** berücksichtigt.

2. Garantieleistungen

TOOL FRANCE garantiert, dass das gelieferte Produkt frei von Material- und Verarbeitungsfehlern ist.

Diese Garantie deckt keine Mängel ab, die direkt oder indirekt durch unsachgemäßen Gebrauch, Vernachlässigung, Unfallschäden, unsachgemäße Reparatur, Wartung oder Reinigung und normalen Verschleiß verursacht wurden.

Weitere Details zur Garantie finden Sie in den Allgemeinen Geschäftsbedingungen (AGB).

Die AGB können auf Wunsch per Post zugesandt werden.

TOOL FRANCE behält sich das Recht vor, jederzeit Änderungen am Produkt und am Zubehör vorzunehmen.

3. Sicherheit

3.1 Bestimmungsgemäße Verwendung

Diese Schleifsäge ist nur zum Sägen von Metall bestimmt. Jede andere Verwendung ist nicht zulässig und darf nur im Einzelfall nach Rücksprache mit dem Hersteller erfolgen.

Das Sägen von anderen Materialien ist verboten und darf nur in besonderen Fällen und nach Absprache mit dem Hersteller der Maschine durchgeführt werden.

Niemals Magnesium sägen - Brandgefahr!

Bei der Bearbeitung muss sich das Werkstück problemlos aufliegen und spannen lassen.

Zur bestimmungsgemäßen Verwendung gehört auch die strikte Einhaltung der in diesem Handbuch aufgeführten Betriebs- und Wartungsanweisungen.

Die Maschine darf nur von Personen benutzt werden, die mit der Bedienung, Wartung und Instandsetzung vertraut sind und die über die damit verbundenen Gefahren informiert sind.

Das gesetzlich vorgeschriebene Mindestalter ist zu beachten.

Die Maschine darf nur benutzt werden, wenn sie technisch in einwandfreiem Zustand ist.

Die Maschine darf nur verwendet werden, wenn alle Sicherheits- und Schutzvorrichtungen vorhanden sind.

Zusätzlich zu den Sicherheitsrichtlinien in dieser Bedienungsanleitung und den in Ihrem Land geltenden Sicherheitsvorschriften sind die allgemeinen Regeln für die Verwendung von Maschinen zur Metallbearbeitung zu beachten.

Jeder darüber hinausgehende Gebrauch gilt als nicht bestimmungsgemäß und der Hersteller lehnt jegliche Haftung ab, die in diesem Fall ausschließlich auf den Benutzer abgewälzt wird.

3.2 Sicherheitshinweise

Die unsachgemäße Verwendung einer Maschine zur Metallbearbeitung kann sehr gefährlich sein.

Beachten Sie deshalb die folgenden Unfallverhütungsvorschriften und Anweisungen genau.

Lesen und verstehen Sie diese Anleitung sorgfältig, bevor Sie Ihr Gerät zusammenbauen oder benutzen.

Bewahren Sie alle Dokumente in der Nähe der Maschine auf.

die mit dem Werkzeug mitgeliefert werden (in einer Plastikhülle, die an einem sicheren Ort aufbewahrt wird), vor Staub, Öl und Feuchtigkeit geschützt) und stellen Sie sicher, dass Sie diese Unterlagen beifügen, wenn Sie das Gerät weitergeben.

Nehmen Sie keine Veränderungen am Gerät vor.

Verwenden Sie nur das empfohlene Zubehör können gefährlich sein.

Überprüfen Sie jeden Tag vor der Benutzung des Geräts die Sicherheitseinrichtungen.

Schutzvorrichtungen und die einwandfreie Funktion.

Bei Defekten an der Maschine oder an den Schutzeinrichtungen die zuständigen Personen benachrichtigen und die Maschine nicht die Maschine verwenden.

Trennen Sie die Maschine vom Stromnetz.

Vor dem Einschalten der Maschine Krawatte, Ringe, Uhr oder anderen Schmuck ablegen und die Ärmel bis zu den Ellenbogen hochkrepeln. Ziehen Sie alle lose Kleidung aus und binden Sie lange Haare zusammen.

Sicherheitsschuhe tragen, vor allem keine Freizeitkleidung oder Sandalen.

Bei der Arbeit an der Maschine persönliche Sicherheitsausrüstung tragen.

Tragen Sie keine Handschuhe.

Beim Manövrieren der Scheiben geeignete Handschuhe tragen.

Tragen Sie während der Arbeit eine Schutzbrille.

Stellen Sie die Maschine so auf, dass genügend Platz zum Manövrieren und Führen der Werkstücke vorhanden ist.

Achten Sie auf eine ausreichende Beleuchtung.

Stellen Sie die Maschine auf einen stabilen und ebenen Untergrund.

Stellen Sie sicher, dass das Stromkabel die Arbeit nicht behindert und keine Stolpergefahr für den Bediener darstellt.

Halten Sie den Boden um die Maschine herum sauber, frei von Abfall, Öl oder Fett.

Greifen Sie niemals in die laufende Maschine.

Achten Sie auf die Arbeit und bleiben Sie konzentriert.

Vermeiden Sie eine unnatürliche Körperhaltung.

Achten Sie auf eine stabile Körperhaltung und halten Sie stets ein gutes Gleichgewicht.

Nicht unter dem Einfluss von Drogen, Alkohol oder Medikamenten arbeiten.

Halten Sie alle inkompetenten Personen von der Maschine fern, insbesondere Kinder.

Lassen Sie die Maschine niemals unbeaufsichtigt laufen.

Schalten Sie die Maschine aus, bevor Sie den Arbeitsbereich verlassen.

Die Maschine nicht in die Nähe von Flüssigkeiten oder Gasen bringen. entzündlichen Gasen, befolgen Sie die Vorschriften zur Brandbekämpfung, z. B. den Ort und die Verwendung von Feuerlöschern. Feuerlöschern.

Die Maschine vor Feuchtigkeit schützen und nie sie dem Regen aussetzen.

Zum Sägen von schwergängigen Werkstücken verwenden Sie eine Stütze verwenden.

Senken Sie die Scheibenführungen so nah wie möglich an das Werkstück heran.

Entfernen Sie Späne und bearbeitete Werkstücke erst dann, wenn die Maschine zum Stillstand gekommen ist.

Verwenden Sie nur gut geschärfte Werkzeuge. Vor Beginn der Arbeit kontrollieren, ob das Werkstück gut gesichert ist.

Halten Sie sich an die Vorgaben bezüglich der Größe Maximale oder minimale Größe des Werkstücks beachten.

Stellen Sie sich nicht auf die Maschine.

Nehmen Sie die Maschine nie ohne Schutzvorrichtungen in Betrieb - Gefahr schwerer Verletzungen!

Alle Anschluss- und Reparaturarbeiten an der elektrischen Anlage dürfen nur von einer qualifizierten Elektrofachkraft durchgeführt werden.

Ersetzen Sie beschädigte oder beschädigte Kabel sofort, abgenutzt.

Führen Sie alle Einstell- und Wartungsarbeiten nur durch, wenn die Maschine vom Stromnetz getrennt ist.

3.3. Risiken

Selbst wenn Sie die Richtlinien und Hinweise beachten.

Sicherheitsvorschriften bestehen folgende Risiken:

Verletzungsgefahr durch freie Scheibe im Arbeitsbereich.

Gefahr durch Bruch der Scheibe.

Gefahr durch herausgeschleuderte Teile.

Gefahr von Belästigungen durch Späne und Lärm.

Tragen Sie persönliche Sicherheitsausrüstung wie z. B. Brille, Gesichtsschutz bei Arbeiten an der Maschine!

Gefahr durch beschädigtes, abgenutztes oder falsches Stromkabel, nicht angeschlossen.

4. Technische Daten

4.1 Technische Daten

Capacités de coupe:

0°	Kreis	120 mm
	Quadrat	105 mm
	Rechteck	125 x 105 mm

45° L	Kreis	100 mm
	Quadrat	90 mm
	Rechteck	90 x 100 mm

30° R	Kreis	100 mm
	Quadrat	80 mm
	Rechteck	80 x 100 mm

Schraubstocköffnung:	240 mm
Abmessungen Scheibe	350 x 3 x 25,4 mm
Scheibentyp	Abrasivscheibe
Drehzahl:	3400 rev/min
Speisung:	230V
Motorleistung	2,2 kW
Frequenz	50 Hz
Schutzart	IP20
Abmessungen	270 x 640 x 520 mm
Verpackungsgröße	380 x 450 x 587 mm
Gewicht	20 kg

4.2 Geräuschemission

Schalldruckpegel (gemäß EN 11202):

Bearbeitung 102,9 dB(A)

Bei den Angaben handelt es sich um Lärmpegel und nicht unbedingt um die Pegel für sicheres Arbeiten.

Diese Information ist dennoch wichtig, damit der Nutzer die möglichen Gefahren und Risiken einschätzen kann.

4.3 Inhalt der Lieferung

Trennscheibe 350 x 3 x 25,4

Bedienungsanleitung

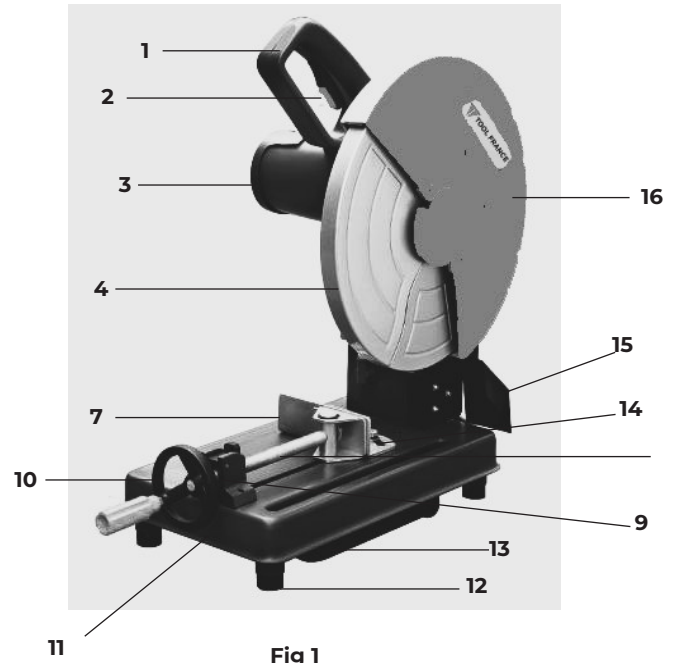
Ersatzteilliste

5. Beschreibung der Maschine

Bei bestimmungsgemäßem Gebrauch und regelmäßiger Wartung sind die einwandfreie Funktion und die hohe Arbeitsgenauigkeit der Maschine für viele Jahre gewährleistet.

Die Maschine darf nur von Personal bedient werden, das die Bedienungsanleitung sorgfältig studiert hat und die Handhabung der Maschine versteht und beherrscht.

Deshalb muss jede Funktion der Maschine leer ausgeführt und beherrscht werden, bevor sie im Arbeitsbetrieb eingesetzt wird.

Hauptelemente**Fig 1**

- | | |
|-------------------------------------|--|
| 1) Handgrif | |
| 2) Schalter «on/off». | 10) Schraubstockkurbel |
| 3) Motorgehäuse | 11) Sockel |
| 4) Bewegliches Schutzgehäuse | 12) Standfuß |
| 7) Schraubstockbacke vor Drehpunkt. | 13) Spänebehälter |
| 8) Schraubstockachse | 14) Verstellbare hintere Schraubstockbacke |
| 9) Schraubstock-Stützsockel | 15) Staubsammler |

Zusammenbau der Maschine

1. Trennen Sie die Stromversorgung der Maschine.
2. Stellen Sie sicher, dass sich der Kettensägenkopf in der oberen Position befindet.
3. Lösen Sie die beiden Schrauben an der Scheibenschutzabdeckung (A).
4. Entfernen Sie die zentrale Schutzverkleidung (B).
5. Heben Sie die bewegliche Scheibenabdeckung (C) an.
6. Drehen Sie die Scheibe (D) und verriegeln Sie sie mit dem Wellenarretierhebel (E).
7. Sobald der Rotorwellen-Sperrhebel (E) eingerastet ist, verwenden Sie den Schraubenschlüssel an der Rotorachsschraube und drehen Sie ihn gegen den Uhrzeigersinn, um ihn zu lösen.
8. Entfernen Sie die Achsschraube, die Unterlegscheibe und den äußeren Scheibenflansch.
9. Entfernen Sie vorsichtig die Scheibe (D).
10. Stellen Sie sicher, dass die Oberflächen der Scheibenlagerstellen sauber und frei von Fremdkörpern sind.
11. Montieren Sie den Reduzierring auf der neuen Schleifscheibe.

12. Installieren Sie die neue Scheibe am Innenflansch.
13. Ersetzen Sie den äußeren Scheibenflansch, die Unterlegscheibe und die Achsschraube.
14. Ziehen Sie die Achsschraube mit dem Schraubenschlüssel im Uhrzeigersinn fest und achten Sie dabei darauf, dass der Scheibenwellen-Sperrhebel (E) eingerastet ist.
15. Lösen Sie den Sperrhebel der Scheibenwelle.
16. Senken Sie das bewegliche Scheibengehäuse (C) ab.
17. Bringen Sie die mittlere Scheibenschutzabdeckung (B) wieder an.
18. Ziehen Sie die beiden Schrauben (A) fest.
19. Stellen Sie sicher, dass die Disc nicht schräg montiert ist.

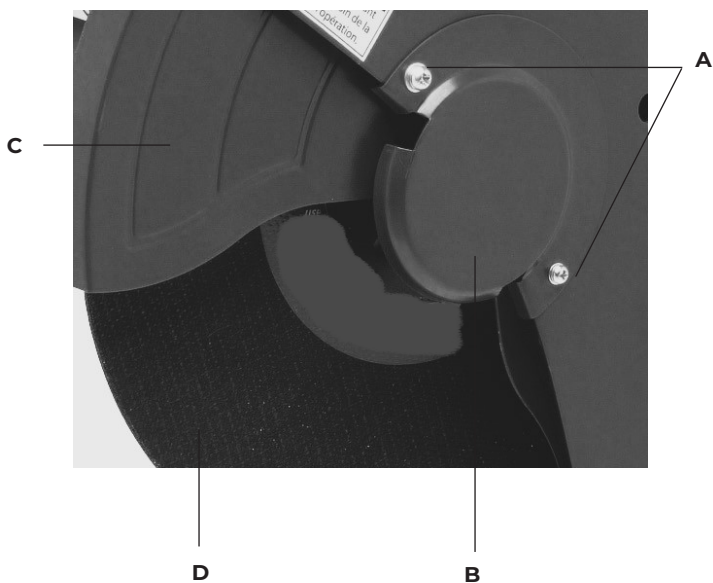


Fig 2

Vorbereitung zur Inbetriebnahme

Bevor Sie die Maschine in Betrieb nehmen, prüfen Sie, ob alle Teile in gutem Zustand sind und dass sie im leeren Zustand ordnungsgemäß funktioniert. Wenn die Sicherheitsmaßnahmen und die normalen Einsatzbedingungen der Maschine beachtet werden, bleibt ihre Präzision über viele Jahre gewährleistet.

6. Maschineninstallation

Handhabung und Transport

Aufgrund des Gewichts (20 kg) und der Abmessungen der Maschine können Handhabung und Installation von nur einer Person durchgeführt werden.

Um die Baukettensäge zu transportieren, verriegeln Sie den Schneidkopf immer in der unteren Position mit dem dafür vorgesehenen Kopfarretierstift. Ein Griff erleichtert den Transport.

Konditionierung

Die Baukettensäge wird mit einer Schleifscheibe in einer Kartonverpackung verpackt und geliefert, was die Handhabung, den Transport und die Lagerung erleichtert.

Nehmen Sie beim Auspacken jedes Element aus der Baukettensäge heraus, überprüfen Sie den allgemeinen Zustand und fahren Sie dann mit dem Zusammenbau fort.

Der Kopf der Kettensäge wird zu Transportzwecken mit einem Kopfverriegelungsstift in der unteren Position arretiert. Um den Kopf nach oben zu bewegen, ziehen Sie einfach am Motorgehäusestift.

Überprüfen Sie die Sauberkeit der Maschine. Wenn das Produkt nicht korrekt erscheint oder Teile defekt sind oder fehlen, wenden Sie sich an Ihren Verkäufer. Bewahren Sie die Anleitung zum späteren Nachschlagen auf.

MASCHINENINSTALLATION

Elektrische Versorgungsspannung entsprechend den Maschineneigenschaften.

Umgebungstemperatur zwischen +5°C und +35°C.

Relative Luftfeuchtigkeit nicht über 90 %.

Ausreichende Belüftung des Aufstellungsortes.

Ausreichend beleuchteter Arbeitsbereich für sicheres Arbeiten: Die Beleuchtung muss 300 LUX betragen.

Berücksichtigen Sie den Standort der Maschine im Raum, dieser muss Bewegung und Bewegung fördern. Halten Sie einen Mindestabstand von 800 mm zwischen der Rückseite der Maschine und der Wand ein.

Stellen Sie die Maschine auf einer ebenen, horizontalen Fläche so auf, dass sie möglichst stabil und eben steht.

Verwenden Sie Maschinenstützrahmen mit ausreichender Tragfähigkeit.

Um Schnitte unter Berücksichtigung ergonomischer Kriterien durchzuführen, ist die ideale Höhe diejenige, bei der die Oberfläche des Schraubstocks etwa 90/95 cm über dem Boden positioniert werden kann.

Stellen Sie sicher, dass sich niemand im Weg der durch die Schnitte verursachten Trümmer und Funken befindet.

6.1 Elektrische Präsenz

Stellen Sie sicher, dass die elektrische Versorgungsspannung der Installation mit der der Maschine übereinstimmt.

Stellen Sie den elektrischen Anschluss über das Netzkabel der Maschine her.

Überprüfen Sie, ob die Steckdose der Anlage mit dem Maschinenstecker (2P+E) kompatibel ist.

Für den Anschluss muss die verwendete Steckdose der Norm „EN 60309-1“ entsprechen.

Überprüfen Sie, ob die Elektroinstallation, an die die Maschine angeschlossen wird, gemäß den geltenden Sicherheitsstandards ordnungsgemäß geerdet ist.

Wir weisen den Benutzer darauf hin, dass vor der Elektroinstallation immer ein magnetothermischer Schutz vorhanden sein muss, der alle Leiter vor Kurzschlüssen und Überlastungen schützt.

Dieser Schutz muss immer auf der Grundlage der elektrischen Eigenschaften der Maschine ausgewählt werden, die auf dem Typenschild angegeben sind:

Spannung:	230 V einphasig
Frequenz:	50 Hz
Motorleistung:	2,2 kW
Intensität:	10 A
Schutzart:	IP 20

6.2 Prüfung und Erstuntersuchung vor dem ersten Einsatz

Stellen Sie sicher, dass die Kettensäge auf einer ebenen, horizontalen Fläche steht, damit sie möglichst stabil und eben steht.

Überprüfen Sie, ob die beweglichen Teile ordnungsgemäß funktionieren und keine beschädigten Elemente vorhanden sind.

Überprüfen Sie, ob die Schutzvorrichtungen vorhanden, intakt und funktionsfähig sind.

Überprüfen Sie den Festplattenstatus.

Überprüfen Sie die Absenkung des Scheibenkopfes, der Scheibenschutzvorrichtungen und des Schraubstocks.

Überprüfen Sie, ob die Maschine völlig leer läuft.

EINSTELLEN DER FÜHRUNGSSTÜTZEN Disc

Die Rückseite des Sägeblatts muss auf der hinteren Führungsstütze aufliegen und das Sägeblatt muss zwischen den Lagern hindurchgehen.

Durch Lösen der Schraube lässt sich die auf einem Exzenter montierte hintere Führung der linken Halterung leicht verschieben und an die Dicke der Scheibe anpassen. Die Lager auf der rechten Seite werden auf die gleiche Weise eingestellt, nur dass sich die verstellbare Führung hier vorne befindet. Der Spalt zwischen Scheibe und Lager sollte 0,05 mm nicht überschreiten.

VIZE

Das Werkstück muss im Schraubstock so gehalten werden, dass das zu schneidende Ende über die Scheibe hinausragt. Die Backe des Schraubstocks wird mit dem Hebel (12) des Schraubstocks bewegt. Um das Teil einzuspannen, müssen Sie den Schraubstock näher an das einzuspannende Teil heranbringen und dabei darauf achten, dass sich der Schraubstockhebel in der oberen Position befindet. Bewegen Sie dann die Backe leicht nach hinten und sichern Sie das Teil, indem Sie den kleinen Hebel des Schraubstocks absenken.

7. Inbetriebnahme

AUFMERKSAMKEIT :

Im Gefahren- oder Betriebsfall unterbrechen Sie durch Drücken des roten Druckknopfes sämtliche Maschinennaktivitäten!

1. Überprüfen Sie die Scheibenspannung.
2. Befestigen Sie das Werkstück im Schraubstock.
3. Bringen Sie die linke Scheibe so nah wie möglich an das Werkstück.
4. Starten Sie die Maschine, indem Sie den Startknopf „I“ und dann den Schalter am Griff drücken.
5. Die Lebensdauer der Scheibe verlängert sich, wenn Sie sie regelmäßig mit Metallsägefett (Art. 100103; nur in der Schweiz erhältlich) schmieren.
6. Sobald der Schnitt ausgeführt ist, stoppt die Maschine den Griff loslassen.

STARTEN UND STOPPEN DER MASCHINE

Zum Starten muss der Sägearm angehoben werden.

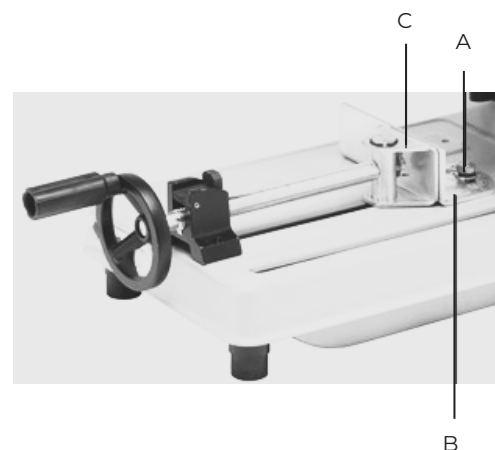
Drücken Sie den Startschalter und dann den Schalter für den Bugabsenkgriff. Die Maschine stoppt, wenn Sie den Griffschalter loslassen oder die Stopptaste drücken. Beim Modell sind die Geschwindigkeiten über den Gangschalter einstellbar.

7.1 Einstellungen

A. Eckschnitte

Mit der Kettensäge können Sie Schnitte bei 0°, 45° links, 30° rechts und in Zwischenwinkeln ausführen:

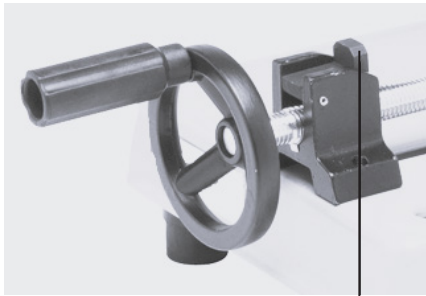
1. Lösen Sie die verstellbaren Verriegelungsschrauben der hinteren Backe (A).
2. Drehen Sie die hintere Backe (B) in die gewünschte Winkelposition.
3. Ziehen Sie die Verriegelungsschrauben (A) der hinteren Backe fest.
4. Die Vorderbacke (C) schwenkt in die vorgesehene Position und richtet sich automatisch auf das Material aus. Es ist auch möglich, die verstellbare Hinterbacke (A) durch Lösen der Verriegelungsbolzen vertikal zu verschieben (z. B. für 30°-Rechtsschnitte).



B. Vice-Gruppe

Der Schraubstock verfügt über eine Schnellspannfunktion:

1. Legen Sie das zu schneidende Material gegen die hintere Schraubstockbacke, die auf den gewünschten Schnittwinkel eingestellt werden kann.
2. Klappen Sie den Entriegelungshebel (A) nach hinten, um den Schraubstockstift zu lösen.



A

3. Schieben Sie die vordere schwenkbare Schraubstockbacke in Richtung des zu schneidenden Materials, um sie einzurasten.
4. Klappen Sie den Entriegelungshebel nach vorne, um den Schraubstockstift zu verriegeln.
5. Ziehen Sie den Schraubstock mit der Kurbel vollständig fest.

C. Einspannen des zu schneidenden Materials

Positionieren Sie die zu schneidenden Materialien nicht auf der Schraubstockgruppe: Beim Schneiden.

Dabei ist bereits ein Profil in den Schraubstock eingeführt.

1. Öffnen Sie den Schraubstock ausreichend.
2. Messen Sie das Material und markieren Sie die Schnittlinie.
3. Legen Sie das zu schneidende Material zwischen die Backen.
4. Richten Sie das zu schneidende Material an der Scheibe und der verstellbaren hinteren Schraubstockbacke aus.
5. Ziehen Sie das Material wie oben beschrieben fest.

Um präzise Schnitte, optimale Leistung und eine längere Lebensdauer der Scheibe zu gewährleisten, zeigen die nebenstehenden Abbildungen Empfehlungen für die Positionierung der Profile im Schraubstock (bei geraden Schnitten bei 0°).

Schneiden Sie immer auf der geringsten Materialstärke.

D. Abwärtsbewegung der Scheibe

Mit dem Tiefenanschlag ist es möglich, den Absenkhub einzustellen:

1. Kontermutter lösen).
2. Ziehen Sie die Anschlagsschraube nach Bedarf fest oder lösen Sie sie.
3. Ziehen Sie anschließend die Kontermutter wieder fest.

7.2 Schneidvorgang

A. Schnittanleitung:

1. Stellen Sie die Hinterbacke auf den gewünschten Schnittwinkel ein.
2. Stellen Sie den Tiefenanschlag ein.
3. Öffnen Sie den Vorderbacken weit genug.
4. Positionieren Sie das Material in der gewünschten Länge im Schraubstock.
5. Blockieren Sie das Material richtig.
6. Drücken Sie den Schalter, um den Motor zu starten und die Disc ihre maximale Geschwindigkeit erreichen zu lassen.
7. Senken Sie den Kopf langsam und mit konstantem und korrektem Druck auf das zu schneidende Material ab und vermeiden Sie plötzlichen Kontakt.
8. Wenn der Schnitt mit Kraft ausgeführt wird, neigt die Scheibe dazu, sich zu verbiegen und der Schnitt erfolgt schräg.
9. Stellen Sie sich nicht vor die Scheibe, sondern leicht seitlich.

B. Urteil:

1. Heben Sie den Kopf an, wenn der Schnitt abgeschlossen ist.
2. Lassen Sie den Schalter (A) los, um die Maschine anzuhalten. Die Scheibe dreht sich einige Sekunden lang weiter, bevor sie vollständig stoppt.
3. Bringen Sie den Kopf nach dem Schneiden wieder in die ursprüngliche Position.
4. Öffnen Sie den Schraubstock.
5. Schieben Sie das zu schneidende Material zurück oder entfernen Sie es.

8. Wartung

Tägliche Maschinenwartung

Reinigen Sie die Maschine wie gewohnt, um dort angesammelten Abfall und Staub zu entfernen.

Überprüfen Sie, dass die Schleifscheibe nicht abgenutzt ist.

Überprüfen Sie, ob die Schutzabdeckungen und der Schalter ordnungsgemäß funktionieren.

Wenn die Maschine draußen bleibt, decken Sie sie mit einer wasserdichten Abdeckung ab.

Wöchentliche Maschinenwartung

Reinigen Sie die Maschine gründlich, um eventuelle Späne zu entfernen.

Überprüfen Sie die ordnungsgemäße Funktion der Schutzgehäuse und Steuergeräte und suchen Sie nach möglichen Fehlern.

Monatliche Maschinenwartung

Überprüfen Sie, ob die Schrauben des Motors und der Schutzabdeckung fest angezogen sind.

Überprüfen Sie das Stromversorgungskabel und tauschen Sie es ggf. aus.

Schmierung

Schmieren Sie Ihre Maschine einmal im Monat, um ihre Lebensdauer zu verlängern:

Rotierender Teil des Schraubstocks, verschiebbarer Teil des Schraubstocks, rotierender Teil der Motorwelle (Maschinenöl verwenden).

Kopfhubachse.

Alle Lager sind lebensdauer geschmiert.

Kohle

Die Lebensdauer der Kohlenstoffe variiert, sie hängt von der Motorbelastung ab und beträgt mindestens 50 Betriebsstunden.

Überprüfen Sie die Kohlenstoffe nach den ersten 50 Betriebsstunden.

Überprüfen Sie sie nach der ersten Kontrolle alle 10 Stunden.

Die Kohlenstoffe befinden sich auf beiden Seiten des Motors:

1. Schrauben Sie die Kunststoff-Kohlenstoffabdeckungen auf beiden Seiten des Motors ab.
2. Entfernen Sie die Kohlen.
3. Reinigen Sie die Carbonstützen.
4. Neue Kohlebürsten einbauen.
5. Schrauben Sie die Carbon-Kunststoffabdeckungen wieder fest.

Wenn eine Kohle eine Länge von weniger als 1 mm erreicht oder durchgebrannt ist oder wenn die Feder verbogen ist, ersetzen Sie beide Kohle.

Tauschen Sie die Kohlen nach der Überprüfung nicht aus.

Außerbetriebnahme der Maschine Soll die Kettensäge

über einen längeren Zeitraum nicht verwendet werden, empfiehlt es sich, wie folgt vorzugehen:

1. Ziehen Sie den Netzstecker.
2. Lösen Sie die Scheibe.
3. Reinigen Sie die Maschine sorgfältig.
4. Decken Sie die Maschine ggf. ab.

9. Umweltschutz

Schütze die Umwelt!

Ihr Gerät enthält verschiedene, wiederverwertbare Rohstoffe. Um das Altgerät zu entsorgen, bringen Sie es bitte zu einem spezialisierten Recyclinghof für Elektrogeräte



Dieses Symbol weist auf die getrennte Sammlung elektrischer und elektronischer Geräte gemäß der WEEE-Richtlinie (2012/19/EU) hin. Diese Richtlinie gilt nur in der Europäischen Union.

FR - FRANCAIS

MODE D'EMPLOI

Cher client,

Nous vous remercions de la confiance que vous nous portez avec l'achat de votre nouvelle machine TOOL FRANCE. Ce manuel a été préparé pour l'opérateur de la tronçonneuse abrasive TFAS-355. Son but, mis à part le fonctionnement de la machine, est de contribuer à la sécurité par l'application des procédés corrects d'utilisation et de maintenance. Avant de mettre l'appareil en marche, lire les consignes de sécurité et de maintenance dans leur intégralité. Pour obtenir une longévité et fiabilité maximales de votre scie, et pour contribuer à l'usage sûr de la machine, veuillez lire attentivement ce mode d'emploi et suivre les instructions.

Table des Matières

1. Déclaration de conformité
2. Prestations de garantie
3. Sécurité
4. Spécifications
5. Description de la machine
6. Installation de la machine
7. Mise en marche
8. Entretien
9. Protection de l'environnement

1. Déclaration de conformité

Par le présent et sous notre responsabilité exclusive, nous déclarons que ce produit satisfait aux normes conformément aux lignes directrices indiquées page 2. Le constructeur a tenu compte des normes** suivantes.

2. Prestations de garantie

TOOL FRANCE garantit que le produit fourni est exempt de défauts matériels et de défauts de fabrication.

Cette garantie ne couvre pas les défauts qui sont causés, directement ou indirectement, par l'utilisation incorrecte, la négligence, les dommages accidentels, la réparation, la maintenance ou le nettoyage incorrects et l'usure normale.

Vous pouvez trouver de plus amples détails sur la garantie dans les conditions générales (CG).

Les CG peuvent être envoyées par poste sur demande.

TOOL FRANCE se réserve le droit d'effectuer des changements sur le produit et les accessoires à tout moment.

3. Sécurité

3.1 Utilisation conforme

La machine est conçue pour le sciage de métaux et de matières plastiques à coupe rapide.

Le sciage d'autres matériaux est interdit et ne peut être effectué que dans des cas spéciaux et après accord du fabricant de la machine.

Ne jamais couper du magnésium - Danger d'incendie!

Pour l'usinage, la pièce doit se laisser poser et serrer sans problème.

L'utilisation conforme implique le strict respect des instructions de service et de maintenance indiquées dans ce manuel.

La machine doit être exclusivement utilisée par des personnes familiarisées avec le fonctionnement, la maintenance et la remise en état, et qui sont informées des dangers correspondants.

L'âge minimum requis par la loi est à respecter.

La machine ne doit être utilisée que si elle est techniquement en parfait état.

N'utiliser la machine que si tous les dispositifs de sécurité et de protection sont en place.

En plus des directives de sécurité contenues dans ce mode d'emploi et des consignes de sécurité en vigueur dans votre pays, il faut respecter les règles générales concernant l'utilisation des machines pour le travail des métaux.

Toute utilisation sortant de ce cadre est considérée comme non-conforme et le fabricant décline toute responsabilité, qui est dans ce cas rejetée exclusivement sur l'utilisateur.

3.2 Consignes de sécurité

L'utilisation non-conforme d'une machine pour le travail des métaux peut être très dangereuse. C'est pourquoi vous devez respecter scrupuleusement les consignes de lutte contre les accidents et les instructions suivantes.

Lire attentivement et comprendre ce mode d'emploi avant de monter ou d'utiliser votre appareil.

Conserver à proximité de la machine tous les documents fournis avec l'outillage (dans une pochette en plastique, à l'abri de la poussière, de l'huile et de l'humidité) et veiller à joindre cette documentation si vous cédez l'appareil.

Ne pas effectuer de modifications à la machine. Utiliser les accessoires recommandés, des accessoires incorrects peuvent être dangereux.

Chaque jour avant d'utiliser la machine, contrôler les dispositifs de protection et le fonctionnement impeccable.

En cas de défauts à la machine ou aux dispositifs de protection avertir les personnes compétentes et ne pas utiliser la machine. Déconnecter la machine du réseau. Avant de mettre la machine en marche, retirer cravate, bagues, montre ou autres bijoux et retrousser les manches jusqu'aux coudes. Enlever tous vêtements flottants et nouer les cheveux longs.

Porter des chaussures de sécurité, surtout pas de tenue de loisirs ou de sandales.

Porter des équipements de sécurité personnels pour travailler à la machine.

Ne pas porter de gants.

Pour manoeuvrer les disques porter des gants appropriés.

Porter des lunettes de protection pendant le travail.

Placer la machine de sorte à laisser un espace suffisant pour la manoeuvre et le guidage des pièces à usiner.

Veiller à un éclairage suffisant.

Placer la machine sur un sol stable et plat.

S'assurer que le câble d'alimentation ne gêne pas le travail ni ne risque de faire trébucher l'opérateur.

Conserver le sol autour de la machine propre, sans déchets, huile ou graisse.

Ne jamais mettre la main dans la machine en marche.

Prêter grande attention au travail et rester concentré.

Eviter toute position corporelle anormale.

Veiller à une position stable et garder un bon équilibre à tout moment.

Ne pas travailler sous l'influence de drogues, d'alcool ou de médicaments.

Eloigner toutes personnes incompetentes de la machine, surtout les enfants.

Ne jamais laisser la machine en marche sans surveillance.

Arrêter la machine avant de quitter la zone de travail.

Ne pas mettre la machine à proximité de liquides ou de gaz inflammables, respecter les consignes de lutte contre les incendies, par ex le lieu et l'utilisation des extincteurs.

Préserver la machine de l'humidité et ne jamais l'exposer à la pluie.

Pour le sciage de pièces difficiles à manoeuvrer, utiliser un support.

Abaisser les guides-disques le plus près possible à la pièce à usiner.

Ne pas enlever les copeaux et les pièces usinées avant que la machine ne soit à l'arrêt.

N'utiliser que des outils bien affûtés.

Avant de commencer le travail, contrôler que la pièce est bien assurée.

Se tenir aux spécifications concernant la dimension maximale ou minimale de la pièce à usiner.

Ne pas se mettre sur la machine.

Ne jamais mettre la machine en service sans les dispositifs de protection – risque de blessures graves!

Tous travaux de branchement et de réparation sur l'installation électrique doivent être exécutés uniquement par un électricien qualifié.

Remplacer immédiatement tout câble endommagé ou usé.

Faire tous les travaux de réglage ou de maintenance seulement après avoir débranché la machine du réseau.

3.3. Risques

Même en respectant les directives et les consignes de sécurité les risques suivants existent :

Risque de blessures par la disque libre dans la zone de travail.

Danger par rupture de la disque.

Danger de pièces éjectées.

Risque de nuisances par copeaux et bruit.

Porter équipements de sécurité personnels tels que lunettes, cache-visage pour travailler à la machine!

Danger par câble électrique endommagé, usé ou mal branché.

4. Spécifications

4.1 Indications techniques

Capacités de coupe:

0°	rond	120 mm
	carré	105 mm
	rectangle	125 x 105 mm

45° G	rond	100 mm
	carré	90 mm
	rectangle	90 x 100 mm

30° D	rond	100 mm
	carré	80 mm
	rectangle	80 x 100 mm

Ouverture étau:	240 mm
Dimensions du disque:	350 x 3 x 25,4 mm
Type de disque	Disque abrasif
Vitesse de rotation:	3400 tr/min
Alimentation:	230V
Puissance moteur:	2,2 kW
Fréquence:	50 Hz
Classe de protection	IP20
Dimensions:	270 x 640 x 520 mm
Dimensions de l'emballage:	380 x 450 x 587 mm
Poids:	20 kg

4.2 Emission de bruit

Niveau de pression sonore (selon EN 11202):	
Usinage	102,9 dB(A)

Les indications données sont des niveaux de bruit et ne sont pas forcément les niveaux pour un travail sûr. Cette information est tout de même importante, ainsi l'utilisateur peut estimer les dangers et les risques possibles.

4.3 Contenu de la livraison

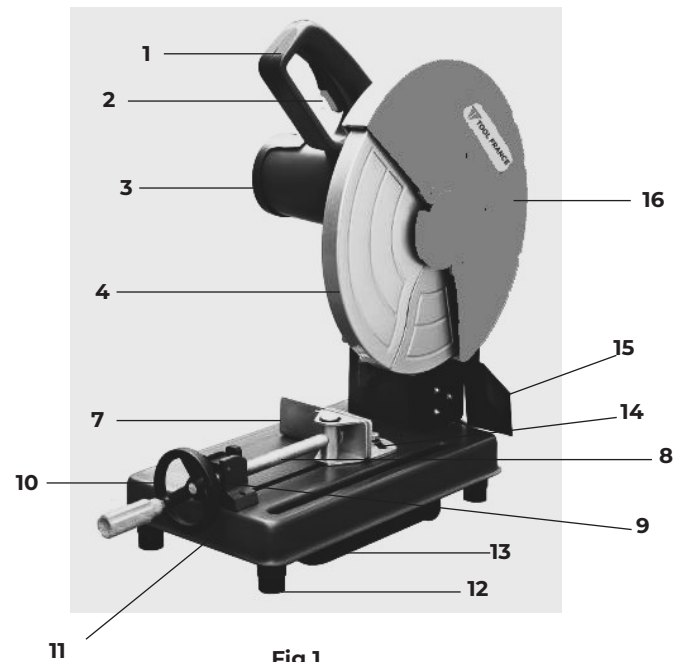
Disque à tronçonner 350 x 3 x 25.4
Mode d'emploi
Liste pièces de rechange

5. Description de la machine

Avec une utilisation conforme à ses capacités et une maintenance régulière, son bon fonctionnement et sa grande précision de travail sont garantis pour de longues années.

La machine ne doit être utilisée que par du personnel qui a pris soin d'étudier le manuel d'utilisation, qui comprend et maîtrise son maniement.

Pour cela chaque fonction de la machine doit être exécutée à vide et maîtrisée, avant qu'elle soit utilisée en travail.

Éléments principaux**Fig 1**

- | | |
|-----------------------------|------------------------------|
| 1) Poignée | 10) Manivelle d'étau |
| 2) Interrupteur « on/off » | 11) Socle |
| 3) Carter moteur | 12) Pied |
| 4) Carter mobile protection | 13) Bac de copeaux |
| 7) Mors d'étau avant pivot. | 14) Mors étau arr. réglable |
| 8) Axe d'étau | 15) Collecteur de poussières |
| 9) Socle d'appui de l'étau | 16) Carte fixe protection |

Montage de la machine

- Déconnecter l'alimentation électrique de la machine.
- S'assurer que la tête de la tronçonneuse est en position haute.
- Dévisser les deux vis qui se trouvent sur le carter de protection du disque (A).
- Enlever le carter central de protection (B).
- Soulever le carter mobile de disque (C).
- Tourner le disque (D) et le bloquer à l'aide de la manette de blocage d'arbre (E).
- Une fois la manette de blocage d'arbre du disque (E) enclenchée, utiliser la clef sur le boulon d'axe du disque et le tourner dans le sens inverse des aiguilles d'une montre pour le desserrer.
- Enlever le boulon d'axe, la rondelle et le flasque de disque extérieur.
- Retirer soigneusement le disque (D).
- S'assurer que les surfaces des points d'appui du disque sont propres et ne comportent aucune particule étrangères.
- Monter la bague de réduction sur le nouveau disque abrasif.

12. Installer sur le flasque intérieur le nouveau disque.
13. Remonter le flasque de disque extérieur, la rondelle et le boulon d'axe.
14. Resserrer le boulon d'axe avec la clef dans le sens des aiguilles d'une montre, tout en s'assurant que la manette de blocage d'arbre du disque (E) est enclenchée.
15. Désenclencher la manette de blocage d'arbre du disque.
16. Baisser le carter mobile de disque (C).
17. Remettre en place le carter central de protection du disque (B).
18. Resserrer les deux vis (A).
19. S'assurer que le disque ne soit pas monté de biais.

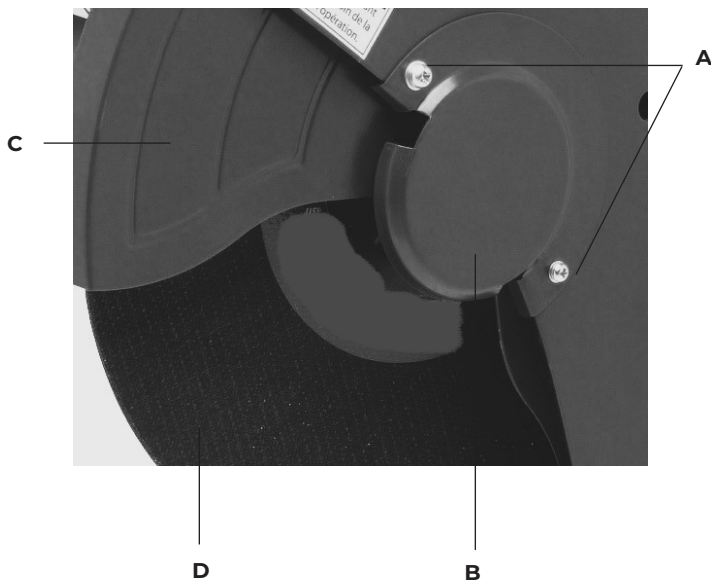


Fig 2

Préparation pour la mise en service

Avant de mettre la machine en service, vérifier que toutes ses pièces sont en bon état et que son fonctionnement à vide est correct. Si les mesures de sécurité et les conditions normales d'utilisation de la machine sont respectées, sa précision sera assurée pendant de longues années.

6. Installation de la machine

Manutention et transport

Compte tenu du poids (20 kg) et des dimensions de la machine, la manutention et la mise en place peuvent s'effectuer avec une seule personne.

Pour transporter la tronçonneuse de chantier, toujours bloquer la tête de coupe en position basse à l'aide de l'axe de blocage tête prévue à cet effet. Une poignée permet de la transporter facilement.

Conditionnement

La tronçonneuse abrasive est conditionnée et fournie avec un disque abrasif, dans un emballage en carton, facilitant la manutention, le transport et le stockage.

Lors du déballage, sortir chaque élément de la tronçonneuse de chantier, vérifier l'état général puis procéder à l'assemblage.

La tête de la tronçonneuse est bloquée à l'aide d'un axe de blocage tête en position basse à des fins de transport. Pour déplacer la tête vers le haut, tirer tout simplement l'axe du carter moteur.

Vérifier la propreté de la machine.

Si le produit ne vous semble pas correct ou si des éléments sont cassés ou manquants, contacter votre vendeur.

Conserver la notice d'instructions pour y faire référence ultérieurement.

INSTALLATION DE LA MACHINE

Tension d'alimentation électrique conforme aux caractéristiques de la machine.

Température ambiante comprise entre +5°C et +35°C.

Humidité relative de l'air ne dépassant pas 90%.

Ventilation du lieu d'installation suffisante.

Zone de travail suffisamment éclairée pour un travail en toute sécurité : l'éclairage doit être de 300 LUX.

Tenir compte de l'emplacement de la machine dans la pièce, celui-ci doit favoriser les déplacements et les mouvements. Respecter une distance de 800 mm minimum entre l'arrière de la machine et le mur.

Positionner la machine sur une surface plane et horizontale de sorte qu'elle soit la plus stable possible et de niveau.

Utiliser des bâtis de support de la machine de capacité suffisante.

Pour effectuer les coupes en respectant les critères ergonomiques, la hauteur idéale est celle qui permet de positionner le plan de l'étau à environ 90/95 cm du sol.

Veiller à ce qu'aucune personne ne se trouve dans le passage des débris et étincelles provoqués par les coupes.

6.1 Présence électrique

S'assurer que la tension d'alimentation électrique de l'installation correspond à celle de la machine.

Effectuer le branchement électrique au moyen du câble d'alimentation de la machine.

Vérifier que la prise électrique de l'installation est compatible avec la fiche de la machine (2P+T).

Pour le branchement, la prise utilisée doit être conforme aux normes « EN 60309-1 ».

Contrôler que l'installation électrique sur laquelle la machine sera branchée est bien reliée à la terre conformément aux normes de sécurité en vigueur.

Nous rappelons à l'utilisateur qu'il doit toujours y avoir, en amont de l'installation électrique, une protection magnétothermique sauvegardant tous les conducteurs contre les courts-circuits et contre les surcharges.

Cette protection doit toujours être choisie sur la base des caractéristiques électriques de la machine, spécifiées sur la plaque signalétique :

Tension : 230 V monophasé

Fréquence : 50 Hz

Puissance moteur : 2,2 kW

Intensité : 10 A

Indice de protection : IP 20

6.2 Essai et examen initial avant la première utilisation

Vérifier que la tronçonneuse est bien sur une surface plane et horizontale de sorte qu'elle soit la plus stable possible et de niveau.

Vérifier que les pièces mobiles fonctionnent correctement, qu'il n'y a pas d'éléments endommagés.

Vérifier que les protections sont présentes, intactes et en bon état de fonctionnement.

Vérifier l'état du disque.

Vérifier la descente de la tête du disque, les carters de protection du disque et l'étau.

Vérifier que la machine fonctionne parfaitement à vide.

RÉGLAGE DES SUPPORTS-GUIDES Disque

Le dos du disque de scie doit s'appuyer sur le support guide arrière et le disque doit passer entre les roulements.

En desserrant le boulon, le guide arrière du support de gauche, monté sur un excentrique, peut facilement être déplacé et ajusté à l'épaisseur du disque. Les roulements sur le côté droit sont ajustés de la même manière, à la différence près que le guide ajustable est ici situé à l'avant. L'écart entre le disque et les roulements ne doit pas dépasser 0,05 mm.

ÉTAU

La pièce doit être prise dans l'étau de manière à ce que l'extrémité à couper dépasse le disque. Le déplacement de la mâchoire de l'étau se fait à l'aide du levier (12) de l'étau. Pour le serrage de la pièce il faut approcher l'étau de la pièce à serrer en prenant soin de mettre le levier de l'étau en position haute. Ensuite reculer légèrement la mâchoire et bloquer la pièce en abaissant le petit levier de l'étau.

7. Mise en marche

ATTENTION :

En cas de danger ou d'incident de fonctionnement, appuyer sur le bouton-poussoir rouge interrompant toute activité de la machine!

1. Contrôler la tension du disque.
2. Bloquer la pièce à usiner dans l'étau.
3. Approcher le plus possible le disque gauche de la pièce à couper.
4. Mettre la machine en marche en appuyant sur le bouton de démarrage «I» et après en appuyant sur l'inter de la poignée.
5. La durée du disque est prolongée si vous le graissez régulièrement avec de la graisse de sciage pour métaux (Art. 100103; vendue en Suisse seulement).
6. Une fois la coupe effectuée, la machine s'arrête en relâchant l'inter de la poignée.

MISE EN MARCHÉ ET ARRÊT DE LA MACHINE

Pour la mise en marche, le bras de scie doit être soulevé. Appuyer sur l'inter de démarrage, ensuite appuyer sur l'inter de la poignée de descente de l'archet. La machine s'arrête lorsque l'on relâche l'inter de la poignée ou si l'on appuie sur le bouton-poussoir d'arrêt. Dans le modèle sont les vitesses réglable avec l'interrupteur de vitesses.

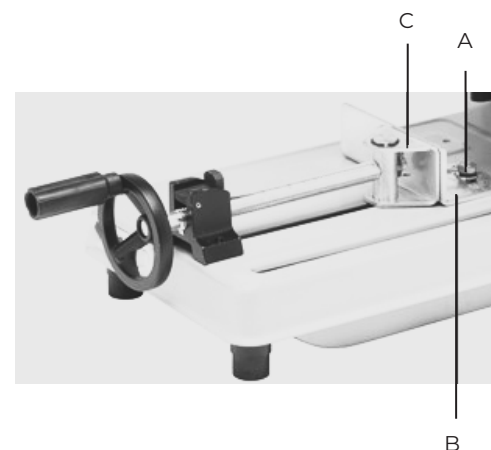
7.1 Réglages

A. Coupes d'angles

La tronçonneuse permet d'exécuter des coupes à 0°, 45° Gauche, 30° Droite et à des angles intermédiaires :

1. Desserrer les boulons de blocage du mors arrière réglable (A).
2. Tourner le mors arrière (B) jusqu'à la position angulaire souhaitée.
3. Resserrer les boulons de blocage du mors arrière (A).
4. Le mors avant (C) pivote dans la position prévue et s'alignera automatiquement avec le matériau.

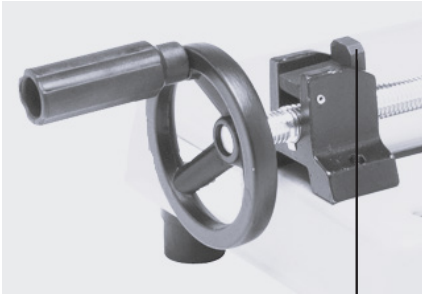
Possibilité aussi de déplacer verticalement le mors arrière réglable (A) en dévissant les boulons de blocage (comme par exemple pour les coupes à 30° Droite).



B. Groupe étau

L'étau possède un serrage rapide :

1. Placer le matériau à couper contre le mors d'étau arrière réglable à l'angle de coupe désiré.
2. Renverser le levier de dégagement (A) vers l'arrière pour libérer l'axe d'étau.



A

3. Glisser le mors d'étau avant pivotant vers le matériau à couper pour l'engager.
4. Renverser le levier de dégagement vers l'avant pour bloquer l'axe d'étau.
5. Serrer entièrement l'étau en utilisant la manivelle.

C. Serrage du matériau à couper

Ne pas positionner des matériaux à couper sur le groupe étau :

Pendant la coupe.

Alors qu'un profilé est déjà introduit dans l'étau.

1. Ouvrir l'étau suffisamment.
2. Mesurer le matériau et marquer la ligne de coupe.
3. Poser le matériau à couper entre les mors.
4. Aligner le matériau à couper avec le disque et le mors d'étau arrière réglable.
5. Serrer le matériau comme décrit ci-dessus.

Afin de garantir des coupes précises, un rendement optimum et une longévité accrue du disque, les figures ci-contre montrent les préconisations de positionnements des profilés dans l'étau (lors de coupes droites à 0°).

Toujours couper sur la plus petite épaisseur du matériau.

D. Course de descente du disque

Il est possible de régler la course de descente à l'aide de la butée de profondeur :

1. Desserrer le contre-écrou).
2. Serrer ou desserrer, selon nécessité, la vis de butée.
3. Resserrer ensuite le contre-écrou.

7.2 Procédure de coupe

A. Instruction de coupe :

1. Mettre le mors arrière à l'angle de coupe désiré.
2. Régler la butée de profondeur.
3. Ouvrir suffisamment le mors avant.
4. Positionner le matériau dans l'étau à la longueur souhaitée.
5. Bloquer correctement le matériau.
6. Appuyer sur l'interrupteur pour mettre en fonctionnement le moteur et pour permettre au disque d'atteindre sa vitesse maximum.
7. Descendre la tête lentement vers le matériau à couper en effectuant une pression constante et correcte, éviter tout contact brusque.
8. Si la coupe est réalisée en forçant, le disque aura tendance à fléchir et la coupe sera de biais.
9. Ne pas se tenir en face du disque mais légèrement de côté.

B. Arrêt :

1. Relever la tête lorsque la coupe est terminée.
2. Relâcher l'interrupteur (A) pour arrêter la machine. Le disque continu sa rotation quelques secondes avant son arrêt complet.
3. Après la coupe, remettre la tête en position initiale.
4. Ouvrir l'étau.
5. Repousser le matériau à couper ou l'enlever.

8. Entretien

Maintenance de la machine quotidienne

Nettoyer normalement la machine pour enlever les déchets et les poussières qui s'y sont accumulés.

Contrôler si le disque abrasif n'est pas usé.

Vérifier si les carters de protection et l'interrupteur fonctionnent correctement.

Si la machine reste à l'extérieur, la couvrir avec une housse imperméable.

Maintenance de la machine hebdomadaire

Nettoyer à fond la machine pour enlever notamment les copeaux.

Contrôler le bon fonctionnement des carters de protection et des organes de commande, en recherchant les éventuels défauts.

Maintenance de la machine mensuelle

Vérifier si les vis du moteur et des carters de protection sont bien serrés.

Contrôler et remplacer si nécessaire le câble d'alimentation électrique.

Lubrification

Lubrifier votre machine une fois par mois pour allonger la durée de vie :

Partie tournante de l'étau, partie glissante de l'étau, partie tournante de l'arbre moteur (utiliser de l'huile machine).

Axe de remontée de tête.

Tous les roulements sont lubrifiés à vie.

Charbon

La durée de vie des charbons varie, celle-ci dépend de la charge du moteur, elle est de minimum de 50 heures d'utilisation.

Contrôler les charbons après les 50 premières heures d'utilisation.

Après le premier contrôle, examiner ceux-ci toutes les 10 heures.

Les charbons sont situés de part et d'autre du moteur :

1. Dévisser les caches plastiques charbons situés de chaque côté du moteur.
2. Enlever les charbons.
3. Nettoyer les supports des charbons.
4. Installer des nouveaux charbons.
5. Revisser les caches plastiques charbons.

Lorsqu'un charbon atteint une longueur inférieure à 1 mm ou a brûlé, ou encore lorsque le ressort est tordu, remplacer les deux charbons.

Ne pas permuter les charbons après contrôle.

Mise hors service de la machine

Si la tronçonneuse ne doit pas être utilisée pendant une période prolongée, il est recommandé de procéder comme suit :

1. Déconnecter la fiche du réseau d'alimentation.
2. Desserrer le disque.
3. Nettoyer la machine avec précaution.
4. Couvrir la machine, si nécessaire.

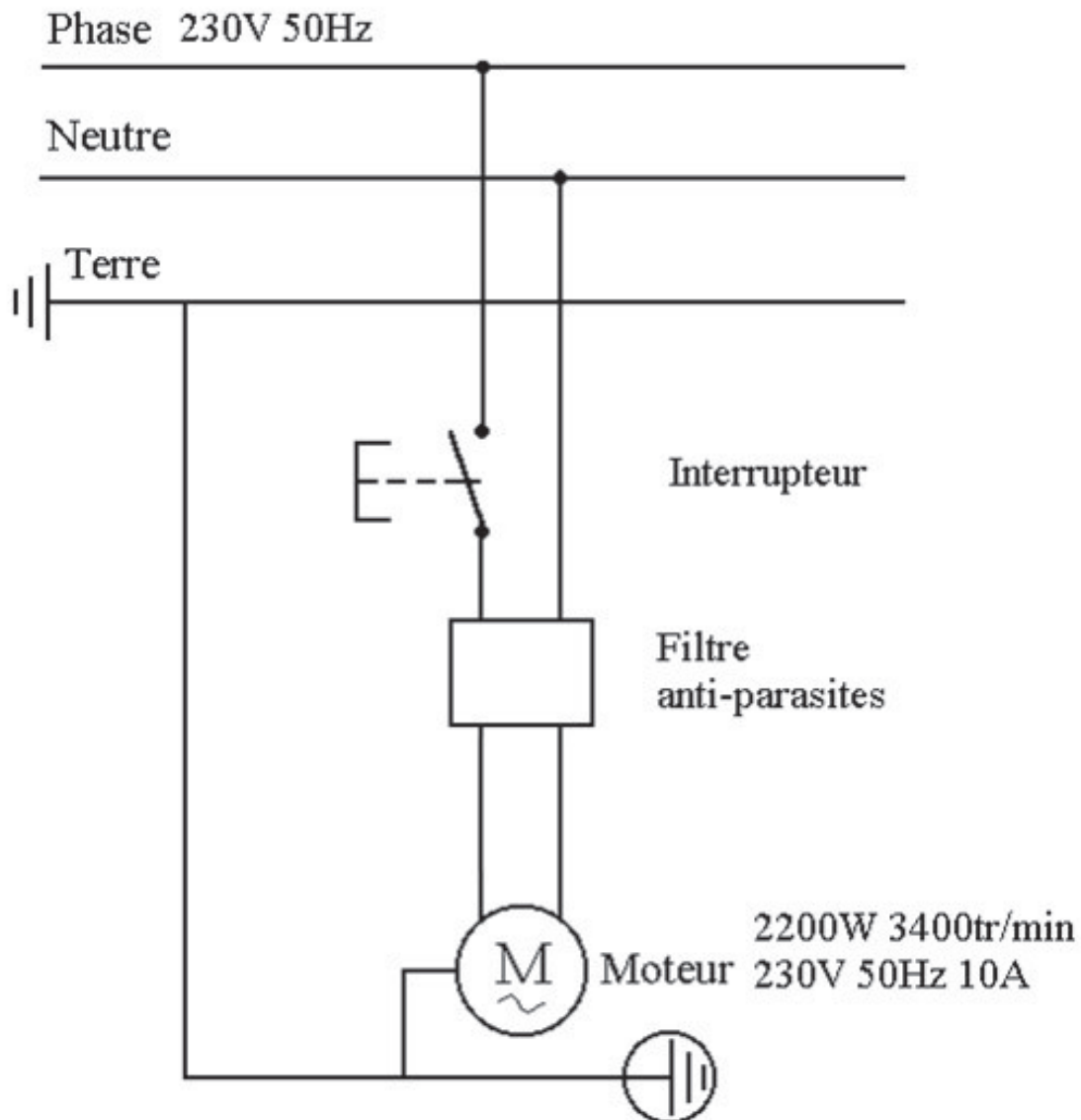
9. Protection de l'environnement

Protégez l'environnement !

Votre appareil comprend plusieurs matières premières différentes et recyclables. Pour éliminer l'appareil usagé, veuillez l'apporter dans un centre spécialisé de recyclage des appareils électriques



Ce symbole indique une collecte séparée des équipements électriques et électroniques conformément à la directive DEEE (2012/19/UE). Cette directive n'est efficace que dans l'Union européenne.

ELECTRICAL SCHEMA / ELEKTRISCHES SCHEMA / SCHÉMA ÉLECTRIQUE

ELECTRICAL GLOSSARY

Phase 230V 50Hz / Electric cable 230V 50Hz / elektrisches Kabel 230v 50Hz

Neutre / Neutral / Neutral

Terre / Electrical earthing nut / elektrische erde

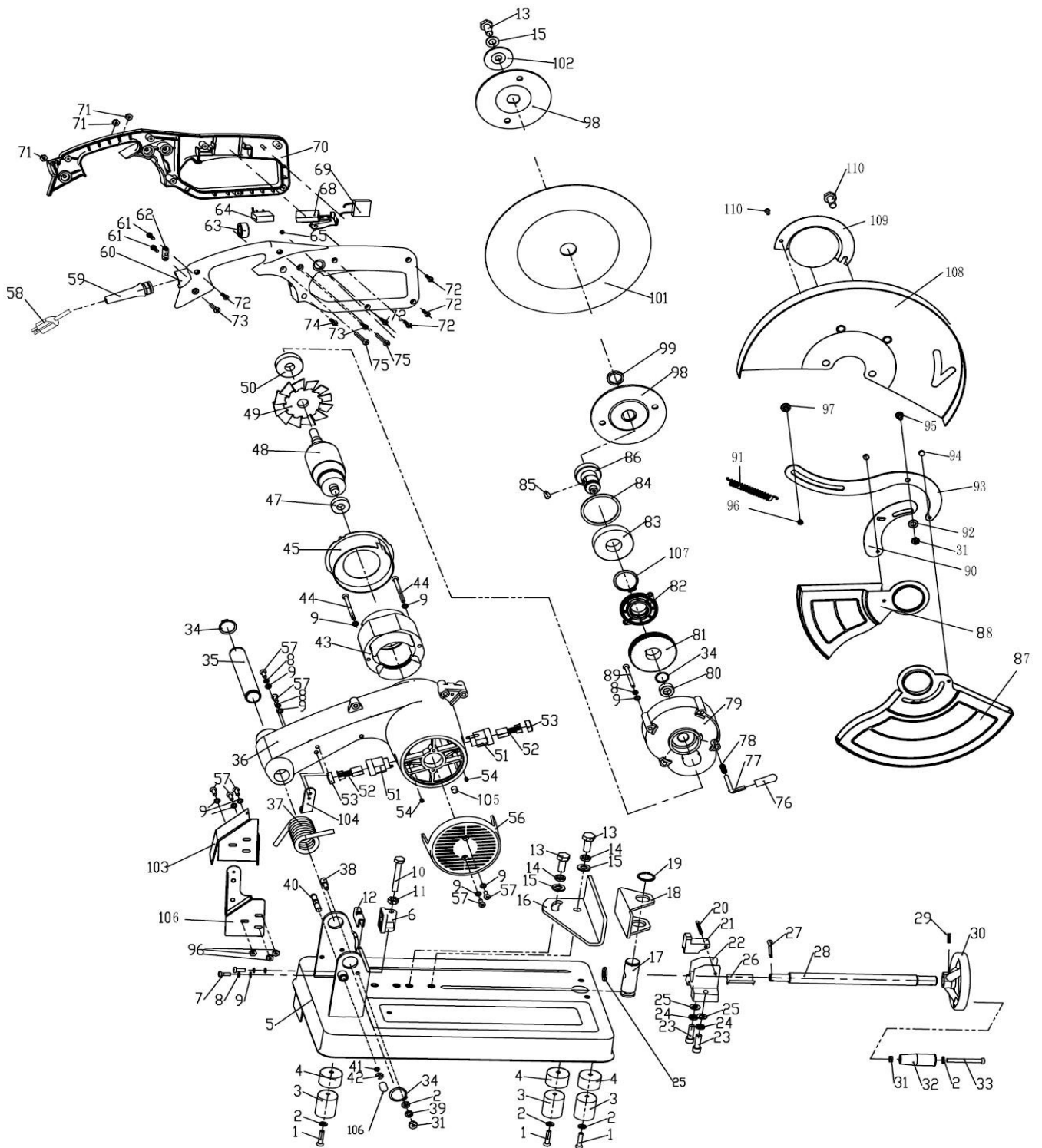
Interrupteur / Switch / Schalter

Filtre anti-parasites / Anti-parasite filter / Schädlingsfilter

Moteur 230V 50Hz / Motor 230V 50Hz / 230V-Motor

ERSATZTEILZEICHNUNG / VUE ÉCLATÉE

TFAS-355



PARTS LIST / ERSATZTEILLISTE / LISTE DES PIÈCES DÉTACHÉES

1	TFAS-355-1	VIS M6X25
2		RONDELLE PLATE Ø6
3		PIED CAOUTCHOUC
4		COUVRE PIED
5		SOCLE
6		SUPPORT BUTEE DE PROFONDEUR
7		VIS M5X12
8		RONDELLE FREIN Ø5
9		RONDELLE PLATE Ø5
10		BOULON M8X60
11		ECROU M8
12		PLAQUE
13		BOULON M10X25
14		RONDELLE FREIN Ø10
15		RONDELLE PLATE Ø10
16		PLAQUE PIVOTANTE
17		ARBRE DE PIVOT DE L'ETAU
18		MACHOIRE D'ETAU
19		CIRCLIPS Ø22
20		GOUPILLE
21		VERROU A DEGAGEMENT RAPIDE
22		SOCLE DE L'ETAU
23		BOULON M8X25
24		RONDELLE FREIN Ø8
25		RONDELLE M8
26		PLAQUE DE BLOCAGE
27		GOUPILLE M4X20
28		TIGE DE LA VIS ETAU
29		GOUPILLE M4X20
30		VOLANT D'ETAU
31		ECROU M6
32		MANIVELLE
33		BOULON M6X55
34		CIRCLIPS Ø24
35		AXE DE BRAS MOTEUR
36		BRAS MOTEUR (A)
37		RESSORT DE BRAS DE MOTEUR
38		VIS
39		RONDELLE FREIN Ø6
40		GOUPILLE
41		JOINT TORIQUE
42		BAGUE EN C Ø6
43		STATOR
44		BOULON M5X75
45		COUVERCLE DE MOTEUR
47		ROULEMENT 101
48		ROTOR (A)

PARTS LIST / ERSATZTEILLISTE / LISTE DES PIÈCES DÉTACHÉES

49	TFAS-355-49	ROUE A AILETTES
50		ROULEMENT 302
51		PORTE BALAI (A)
52		BALAI DE CARBONE (A)
53		COUVERCLE DE PORTE BALAI (A)
54		BOULON M5x6
56		COUVERCLE DE MOTEUR
57		BOULON M5x15
58		CABLE D'ALIMENTATION
59		PASSE CABLE
60		PARTIE INFERIEURE POIGNEE (A)
61		VIS ST 4,2x12
62		BRIDE DE CABLE D'ALIMENTATION
63		ANNEAU D'AIMANT
64		CONDENSATEUR
65		ECROU
68		INTERRUPTEUR
69		CONDENSATEUR
70		PARTIE SUPERIEURE POIGNEE (B)
71		ECROU M5
72		VIS ST 4,2x20
73		BOULON M5x30
74		ECROU M5
75		VIS M5x50
76		GAINE
77		VERROU D'ARBRE
78		RESSORT
79		BOITIER ENGRENAGE
80		DOUILLE
81		ENGRENAGE
82		COUVERCLE
83		ROULEMENT 305
84		RONDELLE
85		CLAVETTE 5x7,5x19
86		ARBRE
87		CARTER MOBILE DE DISQUE AVANT
88		CARTER MOBILE DE DISQUE ARRIERE
89		BOULON M5x60
90		BIELLE (B)
91		RESSORT
92		RONDELLE M6
93		BIELLE (A)
94		RIVET
95		BOULON (C)
91		RESSORT
92		RONDELLE M6

PARTS LIST / ERSATZTEILLISTE / LISTE DES PIÈCES DÉTACHÉES

93	TFAS-355-93	BIELLE (A)
94		RIVET
95		BOULON (C)
96		ECROU M5
97		RONDELLE (B)
98		FLASQUE DE DISQUE
99		BAGUE DE REDUCTION
100		BUVARD
101		DISQUE ABRASIF Ø350x3x25,4
102		RONDELLE
103		DEFLECTEUR
104		PLAQUE
105		TIGE DE FREIN (A)
106		APPUI FIXE
107		CIRCLIPS Ø48
108		CARTER DE PROTECTION
109		CARTER
110		BOULON DE BRIDAGE M8X12
110		BOULON

ENVIRONMENTAL PROTECTION

Protect the environment.

Your appliance contains valuable materials which can be recovered or recycled. Please leave it at a specialized institution.



This symbol indicates separate collection for electrical and electronic equipment required under the WEEE Directive (Directive 2012/19/EC) and is effective only within the European Union.

UMWELTSCHUTZ

Schützen Sie die Umwelt!

Ihr Gerät enthält mehrere unterschiedliche, wiederverwertbare Werkstoffe.

Bitte entsorgen Sie es nur an einer spezialisierten Entsorgungsstelle.



Dieses Symbol verweist auf die getrennte Sammlung von Elektro- und Elektronikgeräten, gemäß Forderung der WEEE-Richtlinie (2012/19/EU). Diese Richtlinie ist nur innerhalb der Europäischen Union wirksam.

PROTECTION DE L'ENVIRONNEMENT

Protégez l'environnement !

Votre appareil comprend plusieurs matières premières différentes et recyclables. Pour éliminer l'appareil usagé, veuillez l'apporter dans un centre spécialisé de recyclage des appareils électriques.



Ce symbole indique une collecte séparée des équipements électriques et électroniques conformément à la directive DEEE (2012/19/UE). Cette directive n'est efficace que dans l'Union européenne.



WARRANTY / GARANTIE

TOOL FRANCE guarantees that the supplied product(s) is/are free from material defects and manufacturing faults.

This warranty does not cover any defects which are caused, either directly or indirectly, by incorrect use, carelessness, damage due to accidents, repairs or inadequate maintenance or cleaning as well as normal wear and tear.

Further details on warranty (e.g. warranty period) can be found in the General Terms and Conditions (GTC) that are an integral part of the contract.

These GTC may be viewed on the website of your dealer or sent to you upon request.

TOOL FRANCE reserves the right to make changes to the product and accessories at any time.

TOOL FRANCE garantiert, dass das/die von ihr gelieferte/n Produkt/e frei von Material- und Herstellungsfehlern ist.

Diese Garantie deckt keinerlei Mängel, Schäden und Fehler ab, die - direkt oder indirekt - durch falsche oder nicht sachgemäße Verwendung, Fahrlässigkeit, Unfallschäden, Reparaturen oder unzureichende Wartungs- oder Reinigungsarbeiten sowie durch natürliche Abnutzung durch den Gebrauch verursacht werden.

Weitere Einzelheiten zur Garan können den allgemeinen Geschäftsbedingungen (AGB) entnommen werden.

Diese können Ihnen auf Wunsch per Post oder Mail zugesendet werden.

TOOL FRANCE behält sich das Recht vor, jederzeit Änderungen am Produkt und am Zubehör vorzunehmen.

TOOL FRANCE garantit que le/les produit(s) fourni(s) est/sont exempt(s) de défauts matériels et de défauts de fabrication.

Cette garantie ne couvre pas les défauts, dommages et défaillances causés, directement ou indirectement, par l'utilisation incorrecte ou inadéquate, la négligence, les dommages accidentels, la réparation, la maintenance ou le nettoyage incorrects et l'usure normale.

Vous pouvez trouver de plus amples détails sur la garantie dans les conditions générales (CG).

Les CG peuvent être envoyées sur demande par poste ou par e-mail.

TOOL FRANCE se réserve le droit d'effectuer des changements sur le produit et les accessoires à tout moment.

UK DECLARATION OF CONFORMITY

Edition January 2024

Product:

ABRASIVE SAW

Model:

TFAS-355

Brand:

TOOL FRANCE

Manufacturer or authorized representative:

TOOL FRANCE

Unit 1a Stepnell Park

Off Lawford Road

Rugby

CV21 2UX

United Kingdom

We hereby declare that this product complies with the regulations:

SUPPLY OF MACHINERY (SAFETY) REGULATIONS 2008
ELECTROMAGNETIC COMPATIBILITY REGULATIONS 2016

Designed in consideration of the standards:

EN ISO 12100 :2010

EN ISO 13849-1 : 2015

EN ISO 16093 : 2017

EN 60204-1 : 2006/AC : 2010

EN 61000-6-2 : 2005

EN 61000-6-4:2007/A1:2011

Responsible for the documentation / Dokumentations-Verantwortung / Responsable de la documentation :



JÉRÔME GERMAIN

GENERAL MANAGER

DIRECTEUR GÉNÉRAL

N° de série / serial number :

At lisses / Hergestellt in / Fait à Lisses

Date :

CE-CONFORMITY DECLARATION CE-KONFORMITÄTSERKLÄRUNG DÉCLARATION DE CONFORMITÉ CE

Edition January 2024

Product / Produkt / Produit:

Abrasive Saw / Tronçonneuse abrasive / Abschleifende Kreissäge

TFAS-355

Brand / Marke / Marque:

TOOL FRANCE

Manufacturer or authorized representative/ Hersteller oder Bevollmächtigter/ Fabricant ou son mandataire:

TOOL FRANCE

9 Rue des Pyrénées, 91090 LISSES, France

We hereby declare that this product complies with the regulations

Wir erklären hiermit, dass dieses Produkt der folgenden Richtlinie entspricht

Par la présente, nous déclarons que ce produit correspond aux directives suivantes

2006/42/EC

Machinery Directive / Maschinenrichtlinie / Directive Machines

2014/30/EU

electromagnetic compatibility / elektromagnetische Verträglichkeit / compatibilité électromagnétique

designed in consideration of the standards

und entsprechend folgender zusätzlicher Normen entwickelt wurde

et été développé dans le respect des normes complémentaires suivantes

EN ISO 12100 :2010

EN ISO 13849-1 : 2015

EN ISO 16093 : 2017

EN 60204-1 : 2006/AC: 2010

EN61000-6-2 : 2005

EN61000-6-4:2007/A1:2011

Original instruction manual / Original-Bedienungsanleitung / Notice d'instruction Originale

Responsible for the documentation / Dokumentations-Verantwortung / Responsable de la documentation



JÉRÔME GERMAIN

GENERAL MANAGER

DIRECTEUR GÉNÉRAL

N° de série / serial number :

At lisses / Hergestellt in / Fait à Lisses

Date :